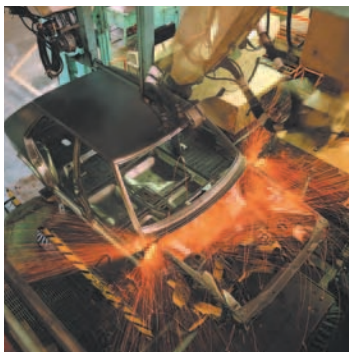


aerospace
climate control
electromechanical
filtration
fluid & gas handling
hydraulics
pneumatics
process control
sealing & shielding



Air Preparation Products

Filters, Regulators, Lubricators,
& Airline Accessories

Catalog 0700P-E



ENGINEERING YOUR SUCCESS.

Distributor Network, Warning, Offer of Sale**DISTRIBUTION NETWORK**

At Parker, we have the largest global distribution network in motion and control, with over 7,500 distributors serving more than 422,000 customers.

To find the distributor nearest you, please visit our DISTRIBUTOR LOCATOR at <http://www.parker.com/pneu/distributor>



ENGINEERING YOUR SUCCESS.

 **WARNING**

FAILURE OR IMPROPER SELECTION OR IMPROPER USE OF THE PRODUCTS AND/OR SYSTEMS DESCRIBED HEREIN OR RELATED ITEMS CAN CAUSE DEATH, PERSONAL INJURY AND PROPERTY DAMAGE.

This document and other information from Parker Hannifin Corporation, its subsidiaries and authorized distributors provide product and/or system options for further investigation by users having technical expertise. It is important that you analyze all aspects of your application including consequences of any failure, and review the information concerning the product or system in the current product catalog. Due to the variety of operating conditions and applications for these products or systems, the user, through its own analysis and testing, is solely responsible for making the final selection of the products and systems and assuring that all performance, safety and warning requirements of the application are met.

The products described herein, including without limitation, product features, specifications, designs, availability and pricing, are subject to change by Parker Hannifin Corporation and its subsidiaries at any time without notice.

Offer of Sale

The items described in this document are hereby offered for sale by Parker Hannifin Corporation, its subsidiaries or its authorized distributors. This offer and its acceptance are governed by the provisions stated on the separate page of this document entitled "Offer of Sale".

Index

<p>Introduction</p>	<p>A Introduction</p>
<p>Global Air Preparation System www.parker.com/globalfrl</p>	<p>B Global Air Preparation Systems</p>
<p>Filters, Regulators, Lubricators www.parker.com/pneu/frl</p>	<p>C Filters, Regulators, Lubricators</p>
<p>Stainless Steel FRLs www.parker.com/pneu/ssfrls</p>	<p>D Stainless Steel FRLs</p>
<p>Precision Regulators www.parker.com/pneu/precereg</p>	<p>E Precision Regulators</p>
<p>Proportional Regulators (P31P, P32P & PAR™-15)</p>	<p>F Proportional Regulators</p>
<p>LV / EZ Lockout Valves (Lockout Valves) www.parker.com/pneu/lockout</p>	<p>G “LV” / “EZ” Lockout Valves</p>
<p>Integrated Fittings</p>	<p>H Integrated Fittings</p>
<p>Accessories www.parker.com/pneu/accessories</p>	<p>J Accessories</p>
<p>Ball Valves / Plug Valves www.parker.com/pneu/ball</p>	<p>K Ball Valves / Plug Valves</p>
<p>Quick Couplings</p>	<p>L Quick Couplings</p>
<p>Hose & Fittings</p>	<p>M Hose and Fittings</p>
<p>Tubing & Fittings</p>	<p>N Tubing and Fittings</p>
<p>Safety Guide, Offer of Sale</p>	<p>P Model to Page Number Index</p>

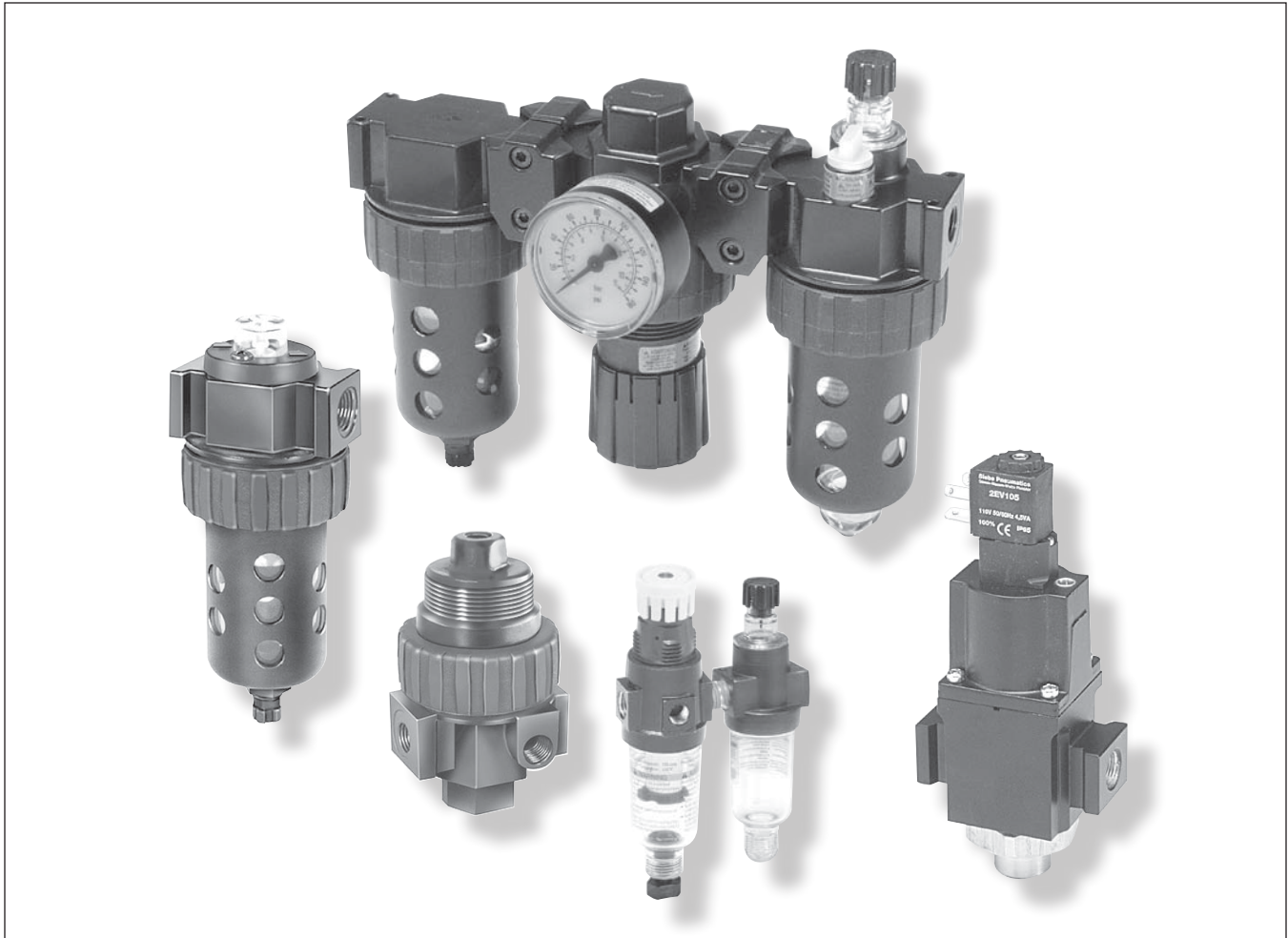


Filters, Regulators, Lubricators

Mini, Prep-Air® II, General Line

Section C

www.parker.com/pneu/fri



Product Selection

Filters

Coalescers

Regulators

Filter / Regulators

Lubricators

Combos

Accessories

Product Selection	C3-C5	15A / 15G / 15B / 15H.....	C142-C147
Bulk Liquid Separators	C6-C9	06G / 16G / 06A / 16A	C148-C149
Air Line Filters	C11-C31	07G / 17G / 07A / 17A	C148-C149
Air Line Coalescing Filters	C32-C50	06H / 16H / 06B / 16B.....	C150-C151
Air Line Regulators.....	C52-C95	07H / 17H / 07B / 17B.....	C150-C151
Filter / Regulator "Piggybacks"	C96-C111	06 / 07 Modular Accessories	C152-C153
Air Line Lubricators, Micro-Mist.....	C112-C120	P3N	C154-C156
Air Line Lubricators, Mist.....	C121-C138	C628.....	C157
Combinations & Accessories		Air Line Accessories.....	C158-C166
14A / 14G.....	C140-C141		

BOLD ITEMS ARE MOST POPULAR.




Product Selection
Filters
Coalescers
Regulators
Filter / Regulators
Lubricators
Combos
Accessories

 **CAUTION:**

Polycarbonate bowls and sight domes, being transparent and tough, are ideal for use with Filters and Lubricators. They are suitable for use in normal industrial environments, but should not be located in areas where they could be subjected to direct sunlight, an impact blow, nor temperatures outside of the rated range. As with most plastics, some chemicals can cause damage. Polycarbonate bowls and sight domes should not be exposed to chlorinated hydro-carbons, ketones, esters and certain alcohols. They should not be used in air systems where compressors are lubricated with fire-resistant fluids such as phosphate ester and di-ester types.

Metal bowls are recommended where ambient and/or media conditions are not compatible with polycarbonate bowls. Metal bowls resist the action of most such solvents, but should not be used where strong acids or bases are present or in salt laden atmospheres. Consult the factory for specific recommendations where these conditions exist.

TO CLEAN POLYCARBONATE COMPONENTS USE MILD SOAP AND WATER ONLY! DO NOT use cleansing agents such as acetone, benzene, carbon tetrachloride, gasoline, toluene, etc., which are damaging to this plastic.

Metal bowl guards are recommended for all applications.

 **CAUTION:**

REGULATOR PRESSURE ADJUSTMENT – The working range of knob adjustment is designed to permit outlet pressures within their full range. Pressure adjustment beyond this range is also possible because the knob is not a limiting device. This is a common characteristic of most industrial regulators, and limiting devices may be obtained only by special design.

Product Selection Chart

Basic Unit	Series	Port Size												Bowls			Capacity	Elements (Micron)				Page			
		1/8	1/4	3/8	1/2	3/4	1	1-1/4	1-1/2	2	2-1/2	3	4	6	Poly	Metal		Metal SG	5	20	40		Adsorber		
SEPARATOR WATER	P3TF		X	X	X	X	X			X	X						Aluminum Body			Water Separator			C6		
	P3TF													X	X		Aluminum Body			Water Separator			C9		
FILTERS	02F		X														Aluminum Body	—	Std.	—	—	—	C13		
	14F	X	X														X	X	—	1 oz.	Std.	—	Opt.	Opt.	C14
	05F		X	X													X	—	—	2 oz.	—	—	Std.	Opt.	C16
	06F		X	X	X												X	X	X	4.4 oz.	Opt.	—	Std.	Opt.	C18
	07F			X	X	X											X	X	X	7.2 oz.	Opt.	—	Std.	Opt.	C20
	P3NF					X	X		X								—	—	X	18 oz.	Opt.	—	Std.	Opt.	C22
	F602					X	X	X	X	X	X						—	X	X	32 oz.	Opt.	—	Std.	—	C24
	35F								X	X							—	X	—	27.5 oz.	Std.	—	—	—	C30
	43F											X					—	X	—	50.72 oz.	Std.	—	—	—	C30
COALESCING FILTERS	02F		X														Nylon Housing	—		Grade 6, Grade 10			C35		
	10F	X	X														X	X	—	1 oz.	Grade 6 Std., Grade 10 Opt.			C36	
	15F		X	X													X	—	—	2 oz.	Grade 6 Std.			C38	
	11F		X	X	X												X	X	X	4.4 oz.	Grade 6 Std., Grade 10 Opt.			C40	
	12F			X	X	X											X	X	X	7.2 oz.	Grade 6 Std., Grade 10 Opt.			C42	
	P3NF					X	X		X								—	—	X	18 oz.	Grade 6 Std., Grade 10 Opt.			C44	
	F701					X	X										—	X	X	32 oz. 100 oz.	Grade 6 Std., Grade 10 Std.			C46	
	35F								X	X							—	X	—	27.5 oz.	1.0 & 0.01 Micron Adsorber			C48	
	43F											X					—	X	—	50.72 oz.	1.0 & 0.01 Micron Adsorber			C48	
	P3TF												X	X			—	X	—	4" & 6" Flange	1.0 & 0.01 Micron Adsorber			C50	

C

Product Selection

Combos

Filters

Coalescers

Regulators

Filter / Regulators

Lubricators

Accessories



Product Selection Chart

Basic Unit	Series	Port Size										Spring Range										Page				
		1/8	1/4	3/8	1/2	3/4	1	1-1/4	1-1/2	2	2-1/2	2	15	25	30	40	60	110	120	125	150		160	200	250	
REGULATORS	STANDARD	14R	X	X									—	Opt.	—	Opt.	—	Opt.	—	—	Std.	—	—	—	—	C54
		P3A-R	X	X									—	Std.	—	Std.	—	Std.	—	Std.	—	—	—	—	—	C56
		R34	X	X									—	—	—	Opt.	—	Opt.	—	—	Std.	—	—	—	—	C58
		R24 / R25	X	X									—	—	—	Std.	—	Std.	—	—	Std.	—	—	—	—	C60
		R45 / R46		X	X								—	—	Std.	—	—	Std.	—	—	Std.	—	—	—	—	C62
		20R	X	X									—	Std.	—	Std.	—	Std.	—	—	Std.	—	—	—	—	C64
		15R		X	X								—	Opt.	—	Opt.	—	Opt.	—	—	Std.	—	—	—	—	C66
		05R		X	X								—	—	—	Opt.	—	Std.	—	—	Std.	—	—	Opt.	—	C68
		06R		X	X	X							—	—	—	—	—	Std.	—	—	Std.	—	—	—	Opt.	C70
		07R			X	X	X						—	—	—	—	—	Std.	—	—	Std.	—	—	—	Opt.	C72
		P3NR					X	X		X			—	—	—	—	—	Opt.	—	—	Std.	—	—	—	Opt.	C74
		R119					X	X	X	X			—	—	—	—	—	—	—	—	Std.	—	—	—	Opt.	C76
		09R									X		—	—	—	—	—	—	—	—	Std.	—	—	—	—	C80
		PILOT		10R		X	X							*	*	*	*	*	*	*	*	*	*	*	*	*
11R				X	X	X							*	*	*	*	*	*	*	*	*	*	*	*	*	C84
12R					X	X	X						*	*	*	*	*	*	*	*	*	*	*	*	*	C86
P3NR							X	X		X			*	*	*	*	*	*	*	*	*	*	*	*	*	C88
R119							X	X	X	X	X	X	*	*	*	*	*	*	*	*	*	*	*	*	*	C90

* Will follow Pilot Regulator setting.

Product Selection Chart

Basic Unit	Series	Port Size										Bowls			Capacity	Elements (Micron)			Adsorber	Spring Range								Page	
		1/8	1/4	3/8	1/2	3/4	1	1-1/4	1-1/2	2	Poly	Metal	Metal SG	5		20	40	15		25	30	60	110	125	200	250			
FILTER / REGULATOR	14E	X	X										X	X	—	1 oz.	Std.	—	Opt.	Opt.	Opt.	—	Opt.	Opt.	—	Std.	—	—	C98
	B34	X	X										X	X		X	X	Opt.			—	Opt.	—	Opt.	—	Std.	—	—	C100
	05E		X	X									X	X	X	2 oz.	Opt.	—	Std.	Opt.	—	—	Opt.	Std.	—	Std.	Opt.	—	C102
	06E		X	X	X								X	X	X	4.4 oz.	Opt.	—	Std.	Opt.	—	—	Std.	Std.	—	Std.	—	Opt.	C104
	07E			X	X	X							X	X	X	7.2 oz.	Opt.	—	Std.	Opt.	—	—	Std.	Std.	—	Std.	—	Opt.	C105
	P3NE					X	X		X				—	—	X	18 oz.	Opt.	—	Std.	Opt.	—	—	—	Std.	—	Std.	—	Std.	C108
	12E			X	X	X							—	X	—	7.2 oz.	6 Std.	—	10 Opt.	—	—	—	Opt.	Opt.	—	Std.	—	Opt.	C110
MICRO LIST	15L		X	X								X	X	X	2 oz.	Cannot be filled under pressure								C114					
	16L		X	X	X							X	X	X	2.6 oz.	Cannot be filled under pressure								C116					
	17L			X	X	X						X	X	X	4.9 oz.	Cannot be filled under pressure								C118					
	02L		X	X								Aluminum Body		.25 oz.	Cannot be filled under pressure								C123						
	04L	X	X									X	X	—	1 oz.	Cannot be filled under pressure								C124					
	06L		X	X	X							X	X	X	2.9 oz.	Can be filled under pressure								C126					
	07L			X	X	X						X	X	X	6 oz.	Can be filled under pressure								C128					
	P3NL					X	X		X			—	—	X	18 oz.	Can be filled under pressure								C130					
	L606					X	X	X	X			—	X	X	16 oz. 32 oz. 64 oz.	Can be filled under pressure								C132					
	09L								X			—	—	X	1 Qt. Std. 3 Qt. Opt.	Can be filled under pressure								C136					
COMBOS	14G	X	X									X	X	—	1 oz.	Two-Unit			Opt.	Opt.	Opt.	—	Std.	—	—	C140			
	14A	X	X									X	X	—	1 oz.	Three-Unit			Opt.	Opt.	Opt.	—	Std.	—	—	C140			
	15G		X	X								X	X	X	2 oz.	Two-Unit			—	Opt.	Std.	—	Std.	Opt.	—	C142			
	15A		X	X								X	X	X	2 oz.	Three-Unit			—	Opt.	Std.	—	Std.	Opt.	—	C142			
	06G/16G		X	X	X							X	X	X	2 oz.	Two-Unit			—	—	Std.	—	Std.	—	Opt.	C148			
	06A/16A		X	X	X							X	X	X	2 oz.	Three-Unit			—	—	Std.	—	Std.	—	Opt.				
	07G/17G			X	X	X						X	X	X	2 oz.	Two-Unit			—	—	Std.	—	Std.	—	Opt.				
	07A/17A			X	X	X						X	X	X	2 oz.	Three-Unit			—	—	Std.	—	Std.	—	Opt.	C154			
	P3N3A					X	X		X			—	—	X	18 oz.	Two-Unit			—	—	Std.	—	Std.	—	Std.				
	P3N3B					X	X		X			—	—	X	18 oz.	Three-Unit			—	—	Std.	—	Std.	—	Std.				
	C628					X	X	X	X				—	X	X	32 & 16	Three-Unit			—	—	—	—	Std.	—	Std.	C159		
	15H		X	X									X	X	X	2 oz.	Two-Unit			—	Opt.	Std.	—	Std.	Opt.	—	C144		
	15B		X	X									X	X	X	2 oz.	Three-Unit			—	Opt.	Std.	—	Std.	Opt.	—			
	06H/16H		X	X	X								X	X	X	2 oz.	Two-Unit			—	—	Std.	—	Std.	—	Opt.	C150		
	06B/16B		X	X	X								X	X	X	2 oz.	Three-Unit			—	—	Std.	—	Std.	—	Opt.			
07H/17H			X	X	X							X	X	X	2 oz.	Two-Unit			—	—	Std.	—	Std.	—	Opt.				
07B/17B			X	X	X							X	X	X	2 oz.	Three-Unit			—	—	Std.	—	Std.	—	Opt.				
P3NCA					X	X		X				—	—	X	18 oz.	Two-Unit			—	—	Std.	—	Std.	—	Std.	C156			
P3NCB					X	X		X				—	—	X	18 oz.	Three-Unit			—	—	Std.	—	Std.	—	Std.				

C

Product Selection

Combos

Filters

Coalescers

Regulators

Filter / Regulators

Lubricators

Accessories



Bulk Liquid Separators – P3TF



P3TFA98WEAN

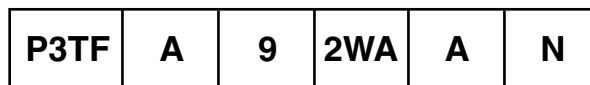
Features

- Tested in Accordance with ISO 8573.9.
- High Liquid Removal Efficiencies at All Flow Conditions.
- Low Pressure Losses for Low Operational Costs.
- Multiple Port Sizes for a Given Flow Rate Provides Increased Flexibility During Installation.
- Suitable for Variable Flow Compressors.
- Works with All Types of Compressor and Compressor Condensate.
- Low Maintenance.
- Lightweight Cast Aluminum Housing with 1/4" to 3" Ports.
- External Surface Epoxy Painted for Maximum Corrosion Resistance.

Applications

- Bulk Liquid Removal at Any Point in a Compressed Air System
- Protection of Refrigeration and Heatless Regenerative Desiccant Dryers
- Liquid Removal from Compressor Inter-coolers / After-coolers
- Liquid Separation Within Refrigeration Dryers
- Pre-Filtration

Ordering Information



Engineering Level
A Current Engineering Level

Thread Type
2 BSPT 9 NPT

Port Size / Flow	
2WA	1/4 Inch / 21 SCFM
3WB	3/8 Inch / 85 SCFM
4WC	1/2 Inch / 85 SCFM
6WD	3/4 Inch / 233 SCFM
8WE	1 Inch / 233 SCFM
BWG	1-1/2 Inch / 742 SCFM
CWH	2 Inch / 742 SCFM
EWK	3 Inch / 1695 SCFM

Drain Type
A Auto Internal Float*

* Models are supplied with Auto Drain as Standard.

BOLD ITEMS ARE MOST POPULAR.

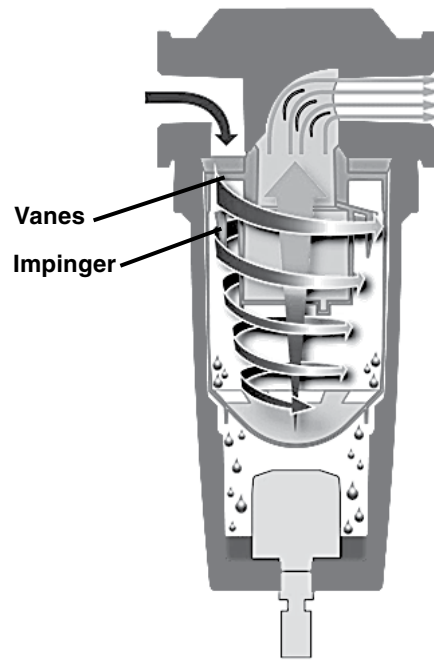


C	Product Selection
Filters	Coalescers
Regulators	Filter / Regulators
Lubricators	Combos
Accessories	

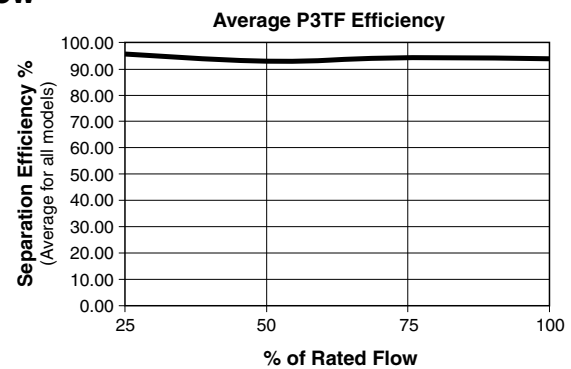
Operation

Operation

- Air Enters the Bulk Liquid Separator Inlet and Turns Into the Separator Module.
- The Inlet of the Separator Module Contains a Set of Fixed Vanes Which the Air Must Pass Through.
- The Vanes Force the Air to Spin Inside the Vessel.
- The Spinning Air is Then Forced to Change Direction as it Passes the Impinger.
- A Vortex is Created Which, Due to the Design of the Separator Module, Narrows and Intensifies as it Reaches the Lower Part of the Separator Module.
- Bulk Liquid is Removed From the Airstream Due to:
 - Directional Changes of the Airstream
 - Velocity Changes
 - Centrifugal Action of the Vortex
- As the Vortex Reaches the Bottom of the Module, Air is Forced Through The Center of the Vortex.
- Aerospace Turning Vanes, Located in the Outlet of the Separator Module, Turn an Inefficient Corner Into a Number of More Efficient Corners.
- Turning Vanes Reduce Turbulence, Minimizing Pressure Loss and Cost of Ownership.
- The Number of Vanes Required is Dependent Upon the Conduit Diameter.



Flow



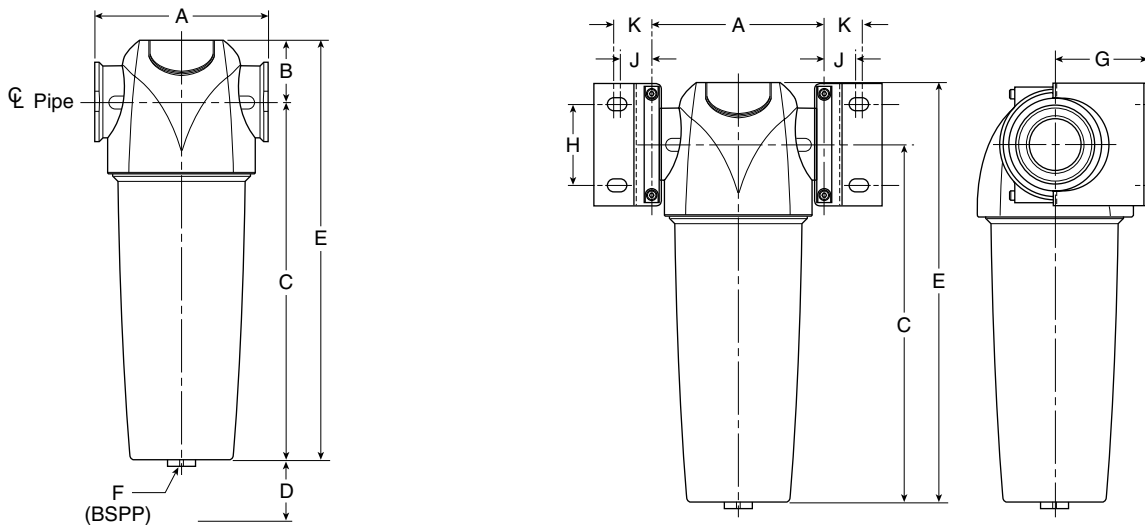
Specifications

Pressure Differential at Rated Flow 1.0 PSID (0.07 bar)

Model Number	Pipe Size	SCFM (L/s)	Maximum Operating Pressure psig (bar)	Operating Temperature	Weight Lb. (kg)
P3TFA92WAAN	1/4"	21 (10)	232 (16)	Maximum 176°F (80°C) Minimum 35°F (1.5°C)	0.9 (0.4)
P3TFA93WBAN	3/8"	85 (40)			2.2 (1.0)
P3TFA94WCAN	1/2"	85 (40)			2.2 (1.0)
P3TFA96WDAN	3/4"	233 (110)			4.8 (2.2)
P3TFA98WEAN	1"	233 (110)			2.6 (5.7)
P3TFA9BWGAN	1-1/2"	742 (350)			5.3 (11.6)
P3TFA9CWHAN	2"	742 (350)			5.3 (11.6)
P3TFA9EWKAN	3"	1695 (800)			12.0 (26.4)

Stated flows are for operation at 102 psig (7 bar) with reference to 20°C, 1 bar (a), 0% relative water vapor pressure.

- C
- Product Selection
- Filters
- Coalescers
- Regulators
- Filter / Regulators
- Lubricators
- Combos
- Accessories



Dimensions

Model Number	Wall Mounting Bracket Kit	Pipe Size	A	B	C	D	E	BSPP F	G	H	J	K
P3TFA92WAAN	P3TKA00MWA	1/4"	3.00 (76)	1.12 (28.5)	6.02 (153)	1.58 (40)	7.15 (181.5)	1/2	2.05 (50)	1.18 (30)	0.71 (18)	0.96 (24.5)
P3TFA93WBAN	P3TKA00MWB	3/8"	3.83 (97.5)	1.34 (34)	7.91 (201)	1.97 (50)	9.25 (235)	1/2	2.36 (60)	1.57 (40)	0.81 (20.5)	1.00 (25.5)
P3TFA94WCAN	P3TKA00MWB	1/2"	3.83 (97.5)	1.34 (34)	7.91 (201)	1.97 (50)	9.25 (235)	1/2	2.36 (60)	1.57 (40)	0.81 (20.5)	1.00 (25.5)
P3TFA96WDAN	P3TKA00MWD	3/4"	5.07 (129)	1.67 (42.5)	13.09 (232.5)	2.76 (70)	10.80 (275)	1/2	2.68 (68)	2.36 (60)	0.91 (23)	1.10 (28)
P3TFA98WEAN	P3TKA00MWD	1	5.07 (129)	1.67 (42.5)	12.68 (322)	2.76 (70)	14.35 (364.5)	1/2	2.68 (68)	2.36 (60)	0.91 (23)	1.10 (28)
P3TFA9BVGAN	P3TKA00MWF	1-1/2"	6.70 (170)	1.97 (50)	18.68 (474.5)	3.94 (100)	20.64 (524.5)	1/2	3.62 (92)	3.31 (84)	1.26 (32)	1.54 (39)
P3TFA9CWHAN	P3TKA00MWF	2"	6.70 (170)	1.97 (50)	18.68 (474.5)	3.94 (100)	20.64 (524.5)	1/2	3.62 (92)	3.31 (84)	1.26 (32)	1.54 (39)
P3TFA9EWKAN	P3TKA00MWJ	3"	8.07 (205)	2.36 (60)	30.39 (772)	4.72 (120)	32.76 (832)	1/2	5.31 (135)	3.94 (100)	1.40 (35.5)	1.67 (42.5)

Inches (mm)

Bulk Liquid Separator Kits & Accessories

Drain KitEFI

Materials of Construction

Automatic Float Drain Plastic
 Housing / Bowl Aluminum
 Seals Fluorocarbon



Wall Mounting Bracket Kit

Mounting brackets provide additional support to filters installed in flexible piping systems or OEM equipment.

For External Drains, please reference WDV3-G Automatic Electrical Drain or ED Zero Loss Drain



Bulk Liquid Separators P3TF Series

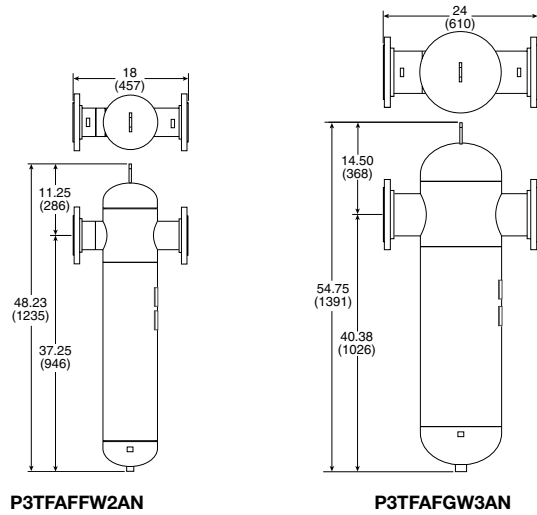
Bulk Liquid Separators – P3TF



P3TF Series

Features

- Designed in accordance with ASME and CRN
- Connection sizes: 4 inch & 6 inch
- High liquid removal efficiencies at all flow conditions
- Suitable for variable flow compressors
- Works with all types of compressor and compressor condensate
- External surface epoxy painted for maximum corrosion resistance



Bulk Liquid Separators

Port Size	Flow SCFM	Part Number
4" Flange	2119	P3TFAFFW2AN
6" Flange	3814	P3TFAFGW3AN

Operating Information

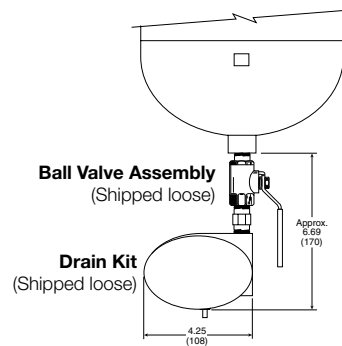
	P3TF Series
Operating Pressure:	232 PSIG (16 bar)
Operating Temperature:	35°F to 150°F (1.5°C to 66°C)

Materials of Construction

Body	Steel
Baffle	Plated Steel
Deflector	Plated Steel
Seals	Fluorocarbon
Stud	Plated Steel

Service Kits

Description	P3TF Series
Dp Gauge Replacement Kit	DPG-Kit
Drain Kit - 1/2" NPT	HDF-120-NPT-A



Inlet Air Pressure Correction

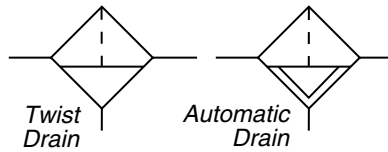
For pressures above 232 PSIG (16 bar), use manual drain.

PSI	15	29	44	58	73	87	100	116	131	145	160	174	189	203	218	232	247	261	275	290
bar	1	2	3	4	5	6	7	8	9	10	11	12	13	14	15	16	17	18	19	20
Factor	2.65	1.87	1.53	1.32	1.18	1.08	1.00	0.94	0.88	0.84	0.80	0.76	0.73	0.71	0.68	0.66	0.64	0.62	0.61	0.59

C
Product Selection
Filters
Coalescers
Regulators
Filter / Regulators
Lubricators
Compos
Accessories


Product Selection
Filters
Coalescers
Regulators
Filter / Regulators
Lubricators
Combos
Accessories

Filters



- Pipe Sizes 1/8 thru 2 Inch
- Flows to 1000 SCFM
- Pressures to 250 psig

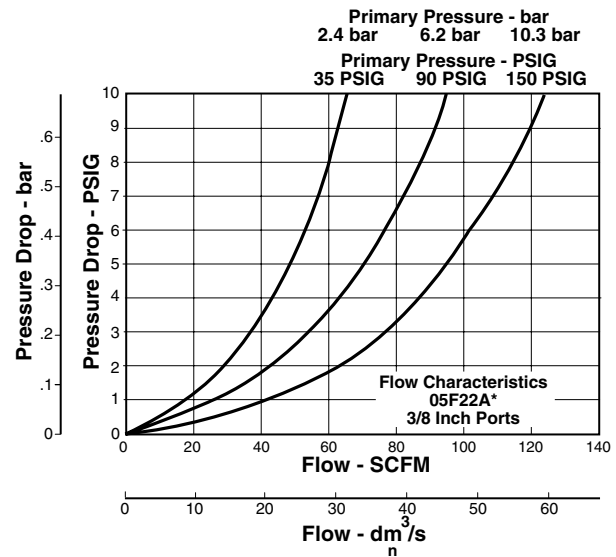
Air filters are designed to remove airborne solid contaminants, pipe scale, rust, pipe dope, etc., which may plug small orifices or cause excessive wear and premature failure of pneumatic components.

- Miniature 02F Series, 1/4 Inch
- Miniature 14F Series, 1/8 and 1/4 Inch
- Economy 05F Series, 1/4 and 3/8 Inch
- Compact 06F Series, 1/4, 3/8 and 1/2 Inch
- Standard 07F Series, 3/8, 1/2 and 3/4 Inch
- Hi-Flow P3NF Series, 3/4, 1 and 1-1/2 Inch
- Hi-Flow F602 Series, 3/4, thru 2 Inch
- Hi-Flow 35F Series, 1-1/2 and 2 Inch
- Hi-Flow 43F Series, 3 Inch

Filter Selection

1. Determine maximum system flow requirements.
2. Determine maximum allowable pressure drop at rated flow in SCFM.
3. Refer to flow chart and select filter pipe size by choosing curve that offers minimum pressure drop at desired flow in SCFM. For optimum performance, a 2 to 5 psig pressure drop should be selected.

Reading Flow Charts to Size Filters



Once the required flow is determined for a pneumatic application, the filter can be selected by using the flow chart. To read the filter flow chart, first determine the inlet pressure that will be used. Find the appropriate pressure curve on the graph. Each graph will contain three pressure curves. If the required inlet pressure is not on the graph, interpolate a similar curve for the required pressure. Next, determine the acceptable pressure drop across the filter and locate it on the vertical axis. Find the intersection point of the acceptable pressure drop and the inlet pressure curve. At this point follow a vertical path downward to view the flow in SCFM. If the flow is too low, select a larger port size or body size to give the required flow. If the flow is higher than necessary, select a smaller port size or body size to give the required flow.



Product Selection

Filters

Coalescers

Regulators

Filter / Regulators

Lubricators

Combos

Accessories

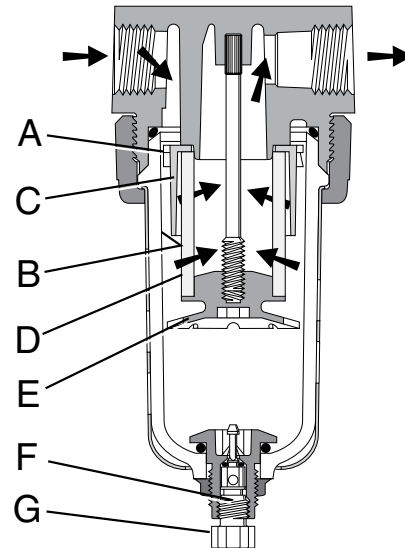
Particulate Filters:

For the removal of solid particle contaminants down to 5 microns and the separation of bulk liquids.

This type of filter is generally used in industrial applications where liquid water and oil, and harmful dirt particles must be removed from the compressed air system. This type of filter should also be used as a prefilter for the Coalescing (oil removal) filter.

First Stage Filtration:

Air enters at inlet port and flows through deflector plate (A) which causes a swirling action. Liquids and coarse particles are forced to the bowl interior wall (B) by the centrifugal action of the swirling air. They then carry down the bowl wall by the force of gravity. Shroud (C) assures that the proper swirling action occurs and that the air does not pass directly through the filter element (D) until the large particles and liquids are removed. The baffle (E) separates the lower portion of the bowl into a “quiet zone” where the removed liquids and particles collect, unaffected by the swirling air, and are therefore not reentrained into the flowing air.

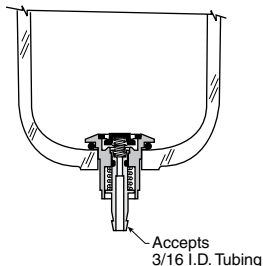


Second Stage Filtration:

After liquids and large particles are removed in the first stage of filtration, the air flows through element (D) where smaller particles are filtered out and retained. The filtered air then passes downstream. Collected liquids and particles in the “quiet zone” should be drained before their level reaches a height where they would be reentrained in the flowing air. This can be accomplished by the twist drain (F) which is actuated by twisting knob (G) counterclockwise. On the 09 Series, unscrew the drain valve (F) slightly until the liquid begins to drain.

C	Product Selection
	Filters
	Coalescers
	Regulators
	Filter / Regulators
	Lubricators
	Combs
	Accessories

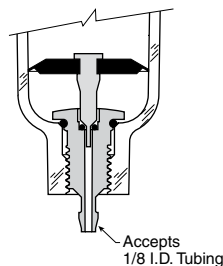
Semi Automatic Drain



(Overnight Drain)

This drain offers a semi-automatic function when there is a differential pressure in the filter which occurs when system pressure is shut off. The drain can also be used manually by gripping it with your fingertips and pushing upward.

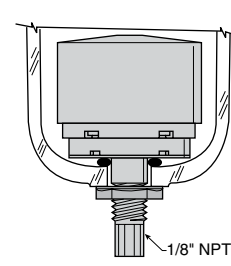
Automatic Pulse Drain



(Spitter Drain)

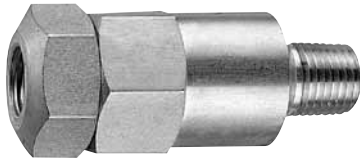
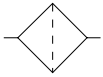
The diaphragm in this drain pulses when there is a pressure differential such as a valve cycling or cylinder stroking downstream. This action flexes the diaphragm and allows the filter to drain the entrapped water.

Automatic Float Drain



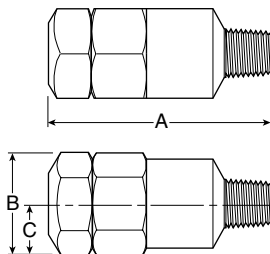
The float internal to this drain rises with increased liquid level. When the float rises, it opens a seat area allowing the trapped liquids to drain through the bottom. A manual override can be pushed in the bottom of the drain to unseat the float if particulates create a block.

02F Filters – Miniature



Application

This small, aluminum in-line filter is designed to provide protection for portable pneumatic hand tools. It weighs only 2 ounces with a throw-away filter element rated at 5 micron. Either port may be used as the inlet port. Flow is 17 SCFM (10.3 dm³/s) at 90 psig (6.2 bar) inlet pressure with 5 psig (0.3 bar) pressure drop.



Part Number	02F Filter Dimensions		
	A	B	C
02F1BA	2.50 (63.5)	1.00 (25)	.50 (13)

Inches (mm)

Ordering Information

Port Size	5 Micron
1/4"	02F1BA

Specifications

Flow Capacity* 17 SCFM (8 dm³/s)
Operating Temperature 32° to 150°F (0° to 65.5°C)
Maximum Supply Pressure 200 psig (13.8 bar)
Standard Filtration 5 Micron
Port Size NPT / BSPT 1/4
Weight lb. (kg) 0.13 lb. (0.06 kg)

* Inlet pressure 90 psig (6.2 bar). Pressure drop 5 PSID (0.3 bar).

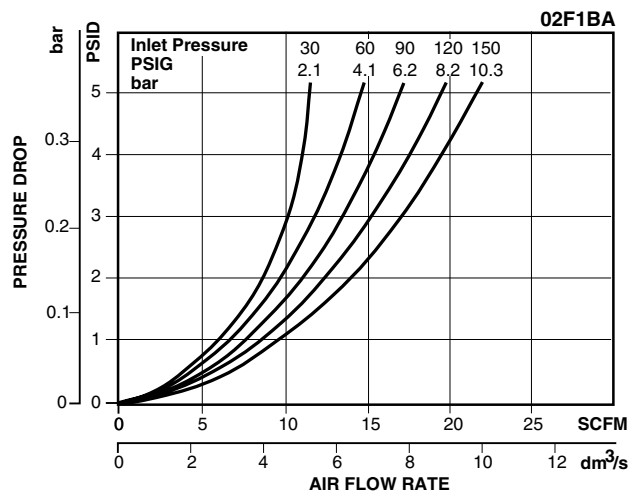
“F” Series Filters, Type “A” 5 micron elements: All Parker 5 micron elements **meet or exceed ISO Class 3** for maximum particle size and concentration of solid contaminants.

Materials of Construction

Body Aluminum
Baffle Aluminum
Filter Element Sintered Polyethylene
Seals Nitrile

Replacement Element Kits

5 Micron..... PS436



C

Product Selection

Filters

Coalescers

Regulators

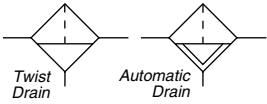
Filter / Regulators

Lubricators

Compos

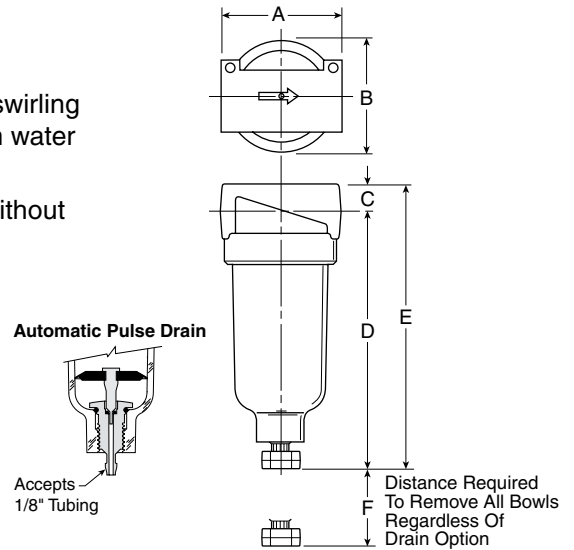
Accessories

14F Filters – Miniature



Features

- Excellent water removal efficiency.
- Unique deflector plate that creates swirling of the air stream ensuring maximum water and dirt separation.
- Easily disassembled for servicing without the use of tools.
- 5 micron element standard.
- Interchangeable Twist and Automatic Pulse Drains.
- High Flow: 1/8" – 22 SCFM[§]
 1/4" – 24 SCFM[§]



Port Size	NPT	
	Twist Drain	Automatic Pulse Drain
Poly Bowl †		
1/8"	14F01BB	14F05BB
1/4"	14F11BB	14F15BB
Metal Bowl without Sight Gauge		
1/8"	14F03BB	14F07BB
1/4"	14F13BB	14F17BB

14F Filter Dimensions		
A	B	C
1.69 (43)	1.53 (39)	.39 (10)
D	D†	E
3.82 (97)	3.87 (99)	4.21 (107)
E†	F	
4.26 (108)	1.60 (41)	

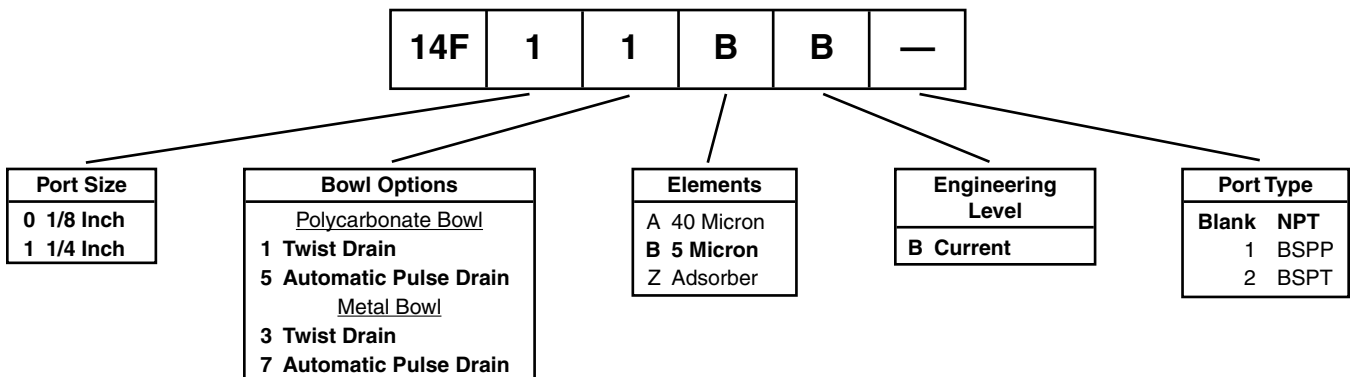
Standard part numbers shown bold.
 For other models refer to ordering information below.

† For polycarbonate bowl see Caution on page C2.

§ SCFM = Standard cubic feet per minute at 90 psig inlet and 5 psig pressure drop.

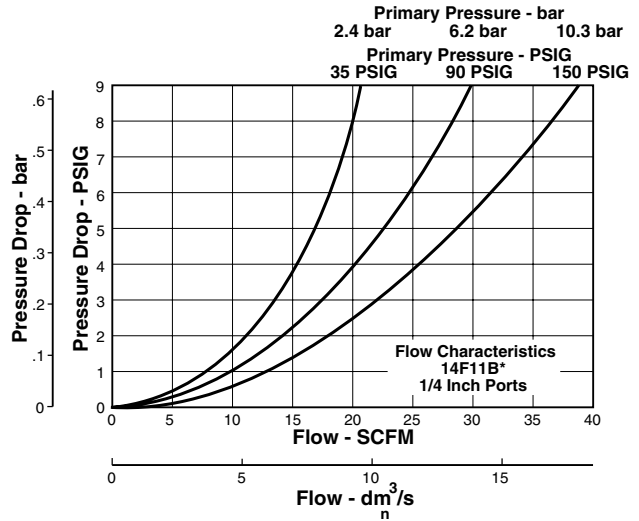
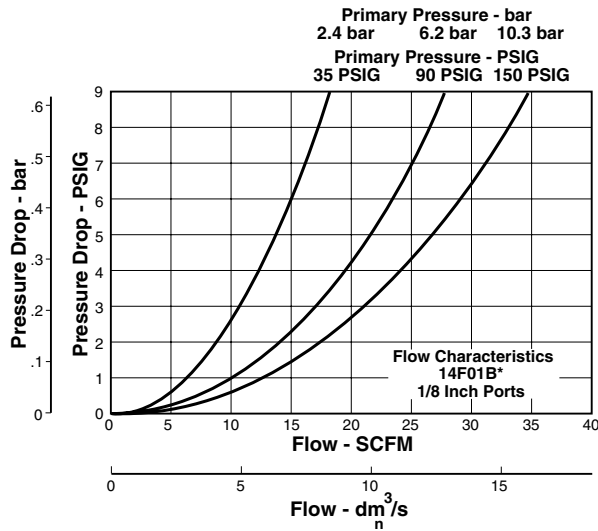
Inches (mm)
 † With Automatic Pulse Drain.

Ordering Information



BOLD ITEMS ARE MOST POPULAR.

Technical Information



14F Filter Kits & Accessories

- Bowl Kits –**
 Poly Bowl –
 Automatic Pulse DrainPS408BP
 Twist Drain PS404P
- Metal Bowl –
 Automatic Pulse Drain PS451BP
 Twist Drain PS447BP
- Filter Element Kits –**
 40 Micron PS401P
 5 Micron PS403P
 5 Micron Cartridge Kit..... PS407P
 Adsorber..... PS452P
- Mounting Bracket Kit..... PS417BP**

Specifications

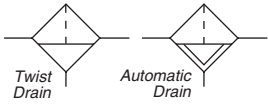
- Automatic Pulse Drain Tube Barb 1/8 Inch**
- Bowl Capacity1 Ounce**
- Port Threads 1/8, 1/4 Inch**
- Pressure & Temperature Ratings –**
 Polycarbonate Bowl 0 to 150 psig (0 to 10.3 bar)
 32°F to 125°F (0°C to 52°C)
- Metal Bowl..... 0 to 250 psig (0 to 17.2 bar)
 32°F to 175°F (0°C to 80°C)
- Automatic Pulse Drain10 to 250 psig (0.7 to 17.2 bar)
 at 125°F (52°C) or less
- Weight0.41 lb. (0.18 kg)**

Materials of Construction

- Body.....Zinc**
- BowlsTransparent Polycarbonate
 Metal (Zinc) Bowl w/o Sight Gauge**
- Deflector, Element Holder & BafflePlastic**
- Drains –**
 Twist Drain –
 Body & StemPlastic
 SealsNitrile
- Automatic Pulse Drain –
 Piston & Seals.....Nitrile
 Stem, Seat, Adaptor & Washers..... Aluminum
- Filter Elements –**
 5 Micron (Standard).....Plastic
 40 Micron (Optional)Plastic
 Adsorber (Optional)Activated Charcoal
- Seals Nitrile**

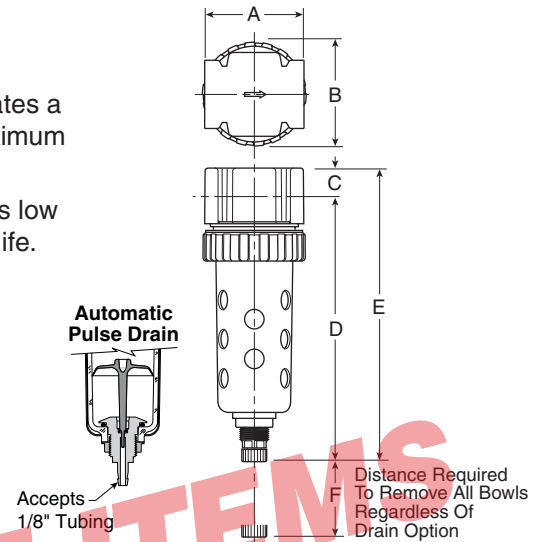
	Product Selection
	Filters
	Coalescers
	Regulators
	Filter / Regulators
	Lubricators
	Compos
	Accessories

05F Filters – Economy



Features

- Excellent water removal efficiency.
- Unique deflector plate and shroud creates a swirling of the air stream ensuring maximum water and dirt separation.
- Large filter element surface guarantees low pressure drop and increased element life.
- 40 micron filter element standard, 5 micron and adsorber available.
- Shown with recommended metal bowl guard.
- High Flow: 1/4" – 54 SCFM[§]
 3/8" – 70 SCFM[§]



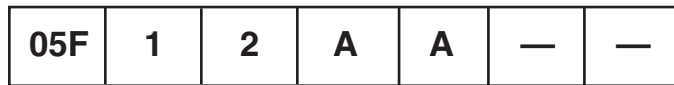
Port Size	NPT	
	Twist Drain	Automatic Pulse Drain
Poly Bowl [‡] / Metal Guard		
1/4"	05F12A*	05F1PA*
3/8"	05F22A*	05F2PA*
Metal Bowl / Sight Gauge		
1/4"	05F14A*	05F1TA*
3/8"	05F24A*	05F2TA*

05F Filter Dimensions		
A	B	C
2.00 (51)	2.06 (52)	.56 (14)
D†	E†	F
5.35 (136)	5.91 (150)	2.25 (57)

Inches (mm)
 † With Twist or Automatic Pulse Drain

Standard part numbers shown bold.
 For other models refer to ordering information below.
[‡] For polycarbonate bowl see Caution on page C2.
[§] SCFM = Standard cubic feet per minute at 90 psig inlet and 5 psig pressure drop.

Ordering Information

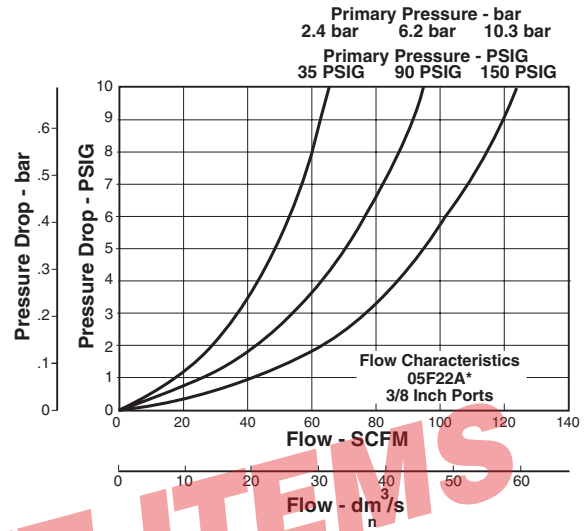
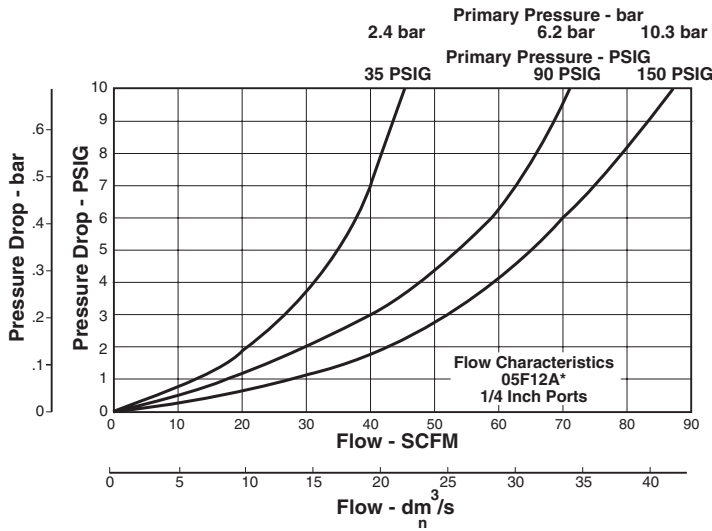


Port Size	Bowl Options		Elements	Engineering Level	Port Type		Options	
1 1/4 Inch 2 3/8 Inch	Polycarbonate Bowl	Metal Bowl	A 40 Micron B 5 Micron Z Adsorber	A Current	Blank	NPT	Blank	No Options
	1 Twist Drain	3 Twist Drain			1* BSPP		P	With Differential Pressure Indicator
	2 Metal Bowl Guard / Twist Drain	4 Sight Gauge / Twist Drain			2 BSPT			
	N Auto Pulse Drain	R Auto Pulse Drain			* 1/4 & 3/8 inch meet ISO 1179-1 Standard.			
	P Metal Bowl Guard / Auto Pulse Drain	T Sight Gauge / Auto Pulse Drain						

BOLD ITEMS ARE MOST POPULAR.

Technical Specifications – 05F

Technical Information



GRAYED OUT ITEMS
ARE OBSOLETE

05F Filter Kits & Accessories

Bowl Guard Kit	PS905P
Bowl Kits –	
Poly Bowl –	
Automatic Pulse Drain	PS995P
Twist Drain	PS932P
Metal Bowl –	
Automatic Pulse Drain	PS997P
Twist Drain	PS934P
Sight Gauge / Automatic Pulse Drain	PS996P
Sight Gauge / Twist Drain	PS935P
DPI Replacement Kit	PS781P
Drain Kit –	
Automatic Pulse Drain	PS998P
Semi-Auto Drain	PS511P
Twist Drain	PS512P
Push 'N' Drain	PS513P
Filter Element Kits –	
40 Micron	PS901P
5 Micron	PS902P
Adsorber	PS931P
Mounting Bracket Kit	PS943P
Sight Gauge Kit	PS914P

Specifications

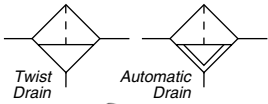
Bowl Capacity	2.0 Ounces
Sump Capacity	0.9 Ounce
Port Threads	1/4, 3/8 Inch
Pressure & Temperature Ratings –	
Without Differential Pressure Indicator:	
Polycarbonate Bowl – 0 to 150 psig (0 to 10.3 bar)	32°F to 125°F (0°C to 52°C)
Metal Bowl – 0 to 250 psig (0 to 17.2 bar)	32°F to 175°F (0°C to 80°C)
With Differential Pressure Indicator:	
0 to 150 psig (0 to 10.3 bar)	32°F to 125°F (0°C to 52°C)
Automatic Pulse Drain – 10 to 150 psig (0.7 to 10.3 bar)	
Weight	1.2 lb. (0.54 kg)

Materials of Construction

Body	Zinc
Bowls	Transparent Polycarbonate or Metal (Zinc) With or Without Sight Gauge
Bowl Guards	Steel
Collar	Plastic
Deflector, Shroud & Baffle	Plastic
Drain	Plastic
Filter Elements –	
40 Micron (Standard)	Plastic
5 Micron (Optional)	Plastic
Adsorber (Optional)	Activated Charcoal
Seals	Nitrile
Sight Gauge, DPI	Polyamide (Nylon)

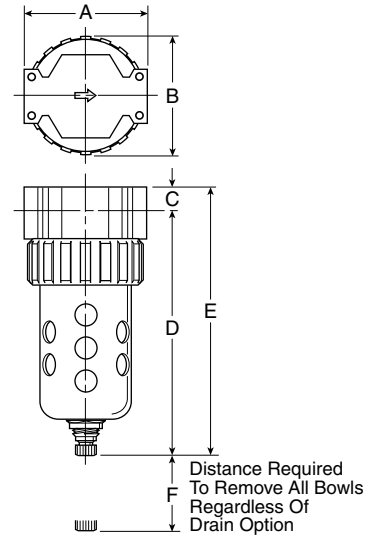
C
Product Selection
Filters
Coalescers
Regulators
Filter / Regulators
Lubricators
Combos
Accessories

06F Filters – Compact



Features

- Excellent water removal efficiency.
- Unique deflector plate and shroud creates a swirling of the air stream ensuring maximum water and dirt separation.
- Large filter element surface guarantees low pressure drop and increased element life.
- Optional automatic float drain available.
- Shown with recommended metal bowl guard.
- High Flow: 1/4" – 53 SCFM[§]
 3/8" – 80 SCFM[§]
 1/2" – 85 SCFM[§]



Port Size	NPT	
	Twist Drain	Automatic Float Drain
Poly Bowl [†] / Metal Guard		
1/4"	06F12AC	06F16AC
3/8"	06F22AC	06F26AC
1/2"	06F32AC	06F36AC
Metal Bowl / Sight Gauge		
1/4"	06F14AC	06F18AC
3/8"	06F24AC	06F28AC
1/2"	06F34AC	06F38AC

06F Filter Dimensions		
A 2.81 (71)	B 2.74 (70)	C .53 (13)
D 5.69 (145)	D[†] 5.74 (146)	E 6.22 (158)
E[†] 6.27 (159)	F 2.25 (57)	

Inches (mm)

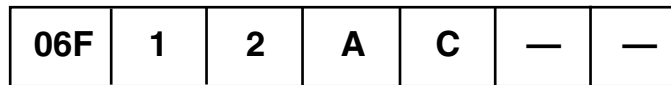
[†] With Automatic Float Drain

Standard part numbers shown bold.
 For other models refer to ordering information below.

[†] For polycarbonate bowl see Caution on page C2.

[§] SCFM = Standard cubic feet per minute at 90 psig inlet and 5 psig pressure drop.

Ordering Information



Port Size
1 1/4 Inch
2 3/8 Inch
3 1/2 Inch

Bowl Options	
Polycarbonate Bowl	Metal Bowl
2 Metal Bowl Guard / Twist Drain	3 Twist Drain
6 Metal Bowl Guard / Auto Float Drain	4 Sight Gauge / Twist Drain
	7 Auto Float Drain
	8 Sight Gauge / Auto Float Drain

Elements
A 40 Micron
B 5 Micron

Engineering Level
C Current

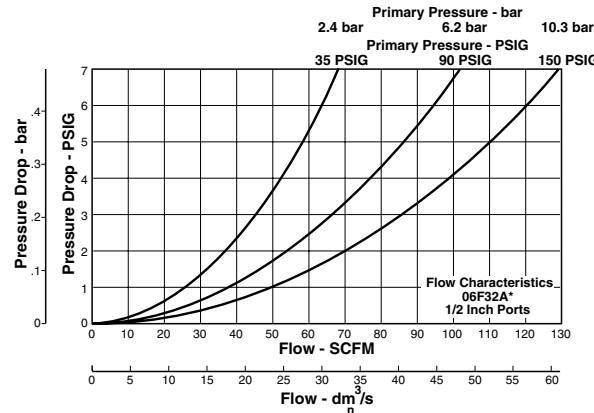
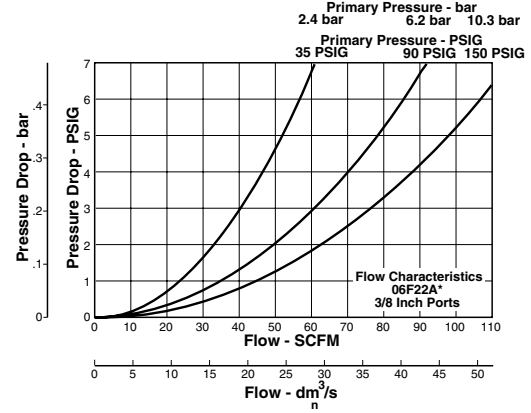
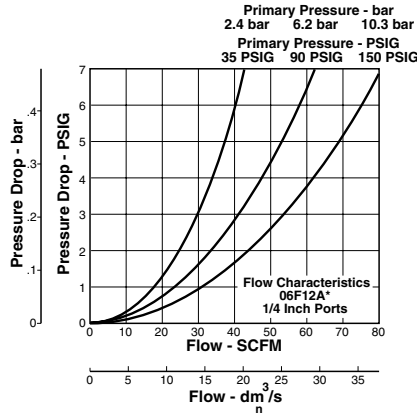
Options
Blank None

Port Type
Blank NPT
1* BSPP

* 1/4 & 3/8 inch meet ISO 1179-1 Standard.

BOLD ITEMS ARE MOST POPULAR.

Technical Information



06F Filter Kits & Accessories

- Bowl Guard Kit PS705P
- Bowl Kits –**
- Poly Bowl –
- Automatic Float Drain PS722P
- Twist Drain PS732P
- Metal Bowl –
- Automatic Float Drain PS726P
- Twist Drain PS734P
- Sight Gauge / Automatic Float Drain PS723P
- Sight Gauge / Twist Drain PS735P
- DPI Replacement Kit PS781P
- Drain Kits –**
- Automatic Float Drain PS506P
- Semi-Auto Drain PS511P
- Twist Drain PS512P
- Push 'N' Drain PS513P
- Filter Element Kits –**
- 40 Micron PS701P
- 5 Micron PS702P
- Adsorber PS731P
- Mounting Bracket Kit PS743P
- Sight Gauge Kit PS914P

Specifications

- Bowl Capacity 4.4 Ounces
- Sump Capacity 1.75 Ounces
- Port Threads 1/4, 3/8, 1/2 Inch

Pressure & Temperature Ratings –

- Without Differential Pressure Indicator:
 - Polycarbonate Bowl – 0 to 150 psig (0 to 10.3 bar)
 32°F to 125°F (0°C to 52°C)
 - Metal Bowl – 0 to 250 psig (0 to 17.2 bar)
 32°F to 175°F (0°C to 80°C)
- With Differential Pressure Indicator: 0 to 150 psig (0 to 10.3 bar)
 32°F to 125°F (0°C to 52°C)
- Automatic Float Drain – 15 to 250 psig (1.0 to 17.2 bar)

Weight..... 1.4 lb. (0.6 kg)

Materials of Construction

- Body** Zinc
- Bowls** Transparent Polycarbonate or Metal (Zinc) With or Without Sight Gauge
- Bowl Guards** Steel
- Collar** Plastic
- Deflector, Shroud & Baffle** Plastic
- Drains –**
- Twist Drain – Body & Nut Plastic
- Push 'N' Drain –
- Body Nitrile
- Stem Brass
- Automatic Float Drain – Housing, Float Plastic
- Seals Nitrile
- Springs, Push Rod Stainless Steel

Filter Elements –

- 40 Micron (Standard) Plastic
- 5 Micron (Optional) Plastic
- Adsorber (Optional) Activated Charcoal

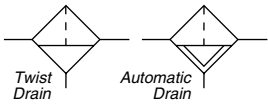
Seals Nitrile

Sight Gauge Polyamide

C
Product Selection
Filters
Coalescers
Regulators
Filter / Regulators
Lubricators
Combos
Accessories

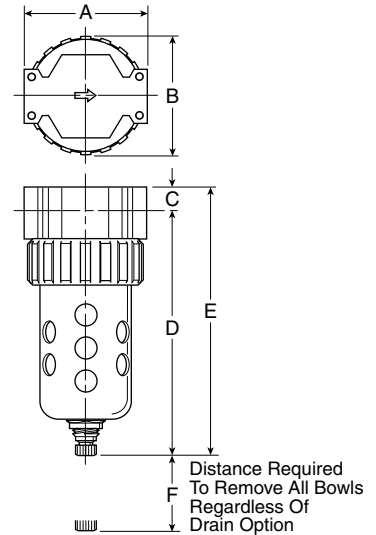


07F Filters – Standard



Features

- Excellent water removal efficiency.
- Unique deflector plate and shroud creates a swirling of the air stream ensuring maximum water and dirt separation.
- Large filter element surface guarantees low pressure drop and increased element life.
- Optional automatic float drain available.
- Shown with recommended metal bowl guard.
- High Flow: 1/2" – 130 SCFM[§]
 3/4" – 145 SCFM[§]



Distance Required To Remove All Bowls Regardless Of Drain Option

Port Size	NPT	
	Twist Drain	Automatic Float Drain
Poly Bowl [†] / Metal Guard		
1/2"	07F32AC	07F36AC
3/4"	07F42AC	07F46AC
Metal Bowl / Sight Gauge		
1/2"	07F34AC	07F38AC
3/4"	07F44AC	07F48AC

07F Filter Dimensions		
A	B	C
3.24 (82)	3.25 (83)	.70 (18)
D	D [†]	E
6.97 (177)	7.00 (178)	7.67 (195)
E [†]	F	
7.70 (196)	2.75 (70)	

Standard part numbers shown bold.

For other models refer to ordering information below.

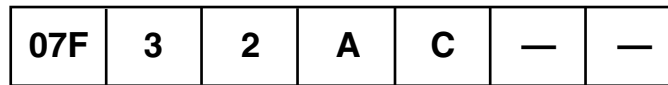
[†] For polycarbonate bowl see Caution on page C2.

[§] SCFM = Standard cubic feet per minute at 90 psig inlet and 5 psig pressure drop.

Inches (mm)

[†] With Automatic Float Drain

Ordering Information

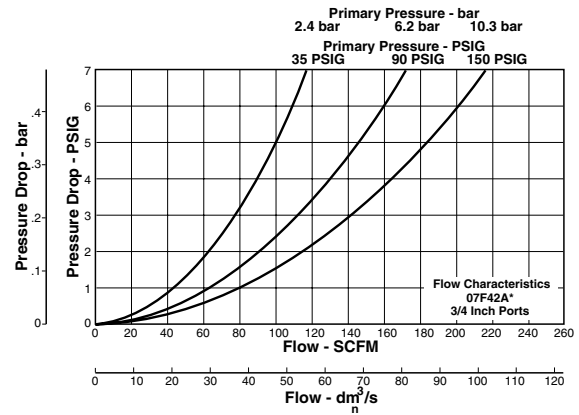
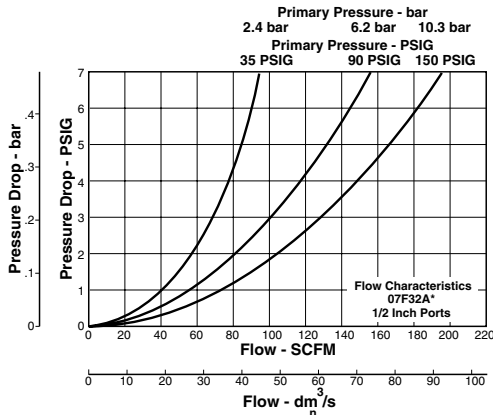


Port Size 3 1/2 Inch 4 3/4 Inch	Bowl Options <u>Polycarbonate Bowl</u> 2 Metal Bowl Guard / Twist Drain 6 Metal Bowl Guard / Auto Float Drain <u>Metal Bowl</u> 3 Twist Drain 4 Sight Gauge / Twist Drain 7 Auto Float Drain 8 Sight Gauge / Auto Float Drain	Elements A 40 Micron B 5 Micron	Engineering Level C Current	Options Blank None	Port Type Blank NPT 1* BSPP
--	--	--	---------------------------------------	------------------------------	--

* 1/2 inch meets ISO 1179-1 Standard.

BOLD ITEMS ARE MOST POPULAR.

Technical Information



07F Filter Kits & Accessories

Bowl Guard Kit	PS805P
Bowl Kits –	
Poly Bowl –	
Automatic Float Drain	PS822P
Twist Drain	PS832P
Metal Bowl –	
Automatic Float Drain	PS826P
Twist Drain	PS834P
Sight Gauge / Automatic Drain	PS823P
Sight Gauge / Twist Drain	PS835P
DPI Replacement Kit	PS781P
Drain Kits –	
Automatic Float Drain	PS506P
Semi-Auto Drain	PS511P
Twist Drain	PS512P
Push ‘N’ Drain	PS513P
Filter Element Kits –	
40 Micron	PS801P
5 Micron	PS802P
Adsorber	PS831P
Mounting Bracket Kit	PS843P
Sight Gauge Kit	PS914P

Specifications

Bowl Capacity	7.2 Ounces
Sump Capacity	2.8 Ounces
Port Threads	1/2, 3/4 Inch

Pressure & Temperature Ratings –

Without Differential Pressure Indicator:	
Polycarbonate Bowl – 0 to 150 psig (0 to 10.3 bar)	32°F to 125°F (0°C to 52°C)
Metal Bowl – 0 to 250 psig (0 to 17.2 bar)	32°F to 175°F (0°C to 80°C)
With Differential Pressure Indicator:	0 to 150 psig (0 to 10.3 bar)
Automatic Float Drain – 15 to 250 psig (1.0 to 17.2 bar)	32°F to 125°F (0°C to 52°C)

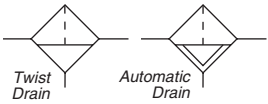
Weight 2.2 lb. (1.0 kg)

Materials of Construction

Body	Zinc
Bowls	Transparent Polycarbonate
	Metal (Zinc) With or Without Sight Gauge
Bowl Guards	Steel
Collar	Plastic or Metal
Deflector, Shroud & Baffle	Plastic
Drains –	
Twist Drain – Body & Nut	Plastic
Push ‘N’ Drain –	
Body	Nitrile
Stem	Brass
Automatic Float Drain –	
Housing, Float	Plastic
Seals	Nitrile
Springs, Push Rod	Stainless Steel
Filter Elements –	
40 Micron (Standard)	Plastic
5 Micron (Optional)	Plastic
Adsorber (Optional)	Activated Charcoal
Seals	Nitrile
Sight Gauge	Polyamide

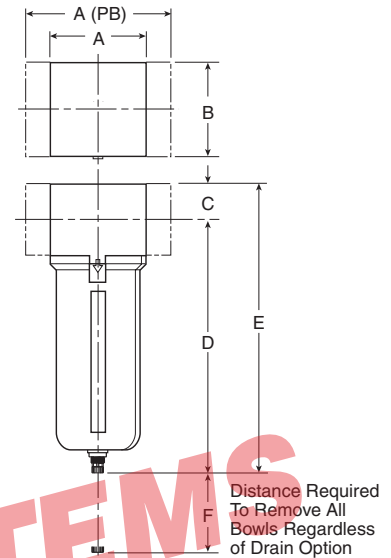
C
Product Selection
Filters
Coalescers
Regulators
Filter / Regulators
Lubricators
Combos
Accessories

P3NF Filters – Hi-Flow



Features

- Port blocks (PB) available to provide 1-1/2" port extension to 1" ported bodies.
- Excellent water removal efficiency.
- Metal bowl with sight gauge.
- Large filter element surface guarantees low pressure drop and increased element life.
- Twist Drain as standard, optional automatic float drain.
- High Flow: 3/4" – 270 SCFM[§]
 1" – 300 SCFM[§]
 1-1/2" – 310 SCFM[§]



Port Size	NPT	
	Twist Drain	Automatic Float Drain
Metal Bowl / Sight Gauge		
3/4"	P3NFA96GSM	P3NFA96GSA
1"	P3NFA98GSM	P3NFA98GSA
1-1/2" #	P3NFA9PGSM	P3NFA9PGSA

P3NF Filter Dimensions		
A	A (PB)	B
3.62 (92)	5.91 (150)	3.62 (92)
C	D†	E†
1.38 (35)	9.57 (243)	10.95 (278)
F		
4.92 (125)		

Standard part numbers shown bold. For other models refer to ordering information below.

1" Port Body with 1-1/2" Port Block.

§ SCFM = Standard cubic feet per minute at 90 psig inlet and 5 psig pressure drop, with 40 micron element.

Inches (mm)
 † With Twist Drain or Automatic Float Drain

Ordering Information



Engineering Level	Port Type	Port Size	Element	Bowl	Drain
A Current	1* G Thread (BSPP) Female 2 Rc Thread (BSPT) Female 9 NPT Female	6 3/4" (w/o Port Blocks) 8 1" (w/o Port Blocks) P 1-1/2" Port Blocks (w/ 1" Ported Body)	w/o DPI Indicator A Adsorber E 5 Micron G 40 Micron w/ DPI Indicator B Adsorber F 5 Micron H 40 Micron	S Metal Bowl w/ Sight Gauge	M Twist Drain A Automatic Float Drain

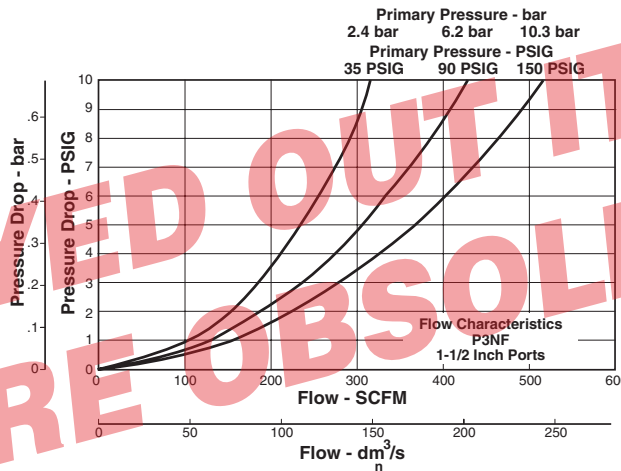
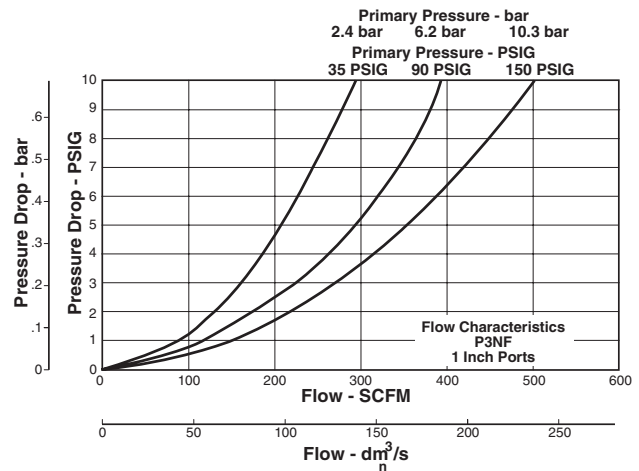
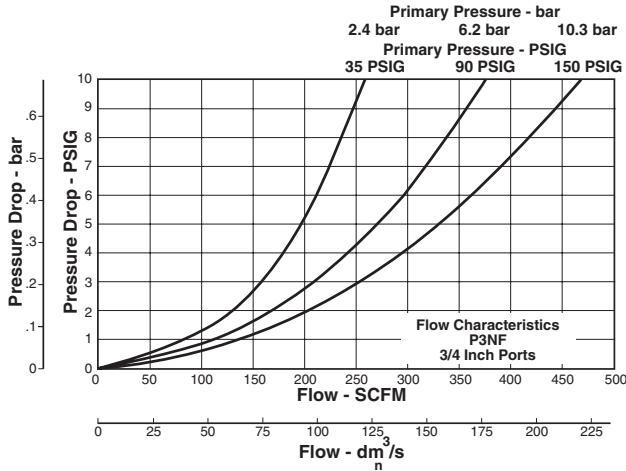
* 3/4 & 1 inch meet ISO 1179-1 Standard.

Note: BSPP ported units supplied using NPT ported bodies and BSPP port block kits.

BOLD ITEMS ARE MOST POPULAR.

Technical Specifications – P3NF

Technical Information



GRAYED OUT ITEMS
 ARE OBSOLETE

P3NF Filter Kits & Accessories

Bowl Kits –

- Metal Bowl –
- Sight Gauge / Automatic Float Drain P3NKA00BSA
- Sight Gauge / Twist Drain P3NKA00BSM
- Sight Gauge / Push 'N' Drain P3NKA00BSP

Bowl Latch Kit C11A33

DPI Replacement Kit PS781P

Drain Kit –

- Automatic Float Drain PS506P
- Twist Drain PS512P

Filter Elements –

- 40 Micron P3NKA00ESG
- 5 Micron P3NKA00ESE
- Adsorber P3NKA00ESA

Mounting Bracket Kit* P3NKA00MW

Sight Gauge Kit P3NKA00PE

Specifications

Pressure & Temperature Rating –

0 to 250 psig (0 to 17 bar) 32°F to 175°F (0°C to 80°C)
 Automatic Float Drain – 15 to 250 psig (1.0 to 17 bar)

Bowl Capacity 18.0 Ounces

Sump Capacity 6.8 Ounces

Weight –

- 3/4" 3.5 lb. (1.6 kg)
- 1" 3.5 lb. (1.6 kg)
- 1-1/2" # 4.6 lb. (2.1 kg)

Materials of Construction

Body Aluminum

Deflector Plastic

Drain Plastic

Filter Elements –

- 40 Micron (Standard) Plastic
- 5 Micron (Optional) Plastic
- Adsorber (Optional) Activated Charcoal

Seals Nitrile

Sight Gauge Polyamide (Nylon)

* If 1-1/2 BSPP E02 fittings are required, use P3NKA00BMW.

1" Port Body with 1-1/2" Port Block.



Product
Selector

Filters

Coalescers

Regulators

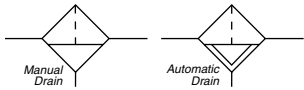
Filter /
Regulators

Lubricators

Combs

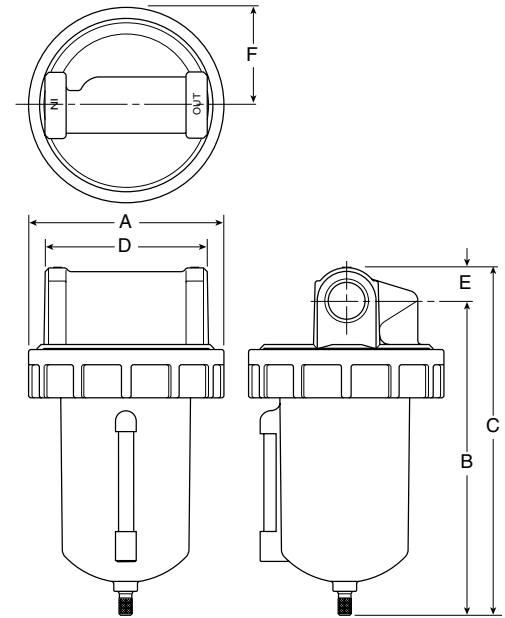
Accessories

F602 Filters – Hi-Flow



Features

- Excellent water removal efficiency
- For heavy duty applications with minimum pressure drop requirement.
- Unique deflector plate that creates swirling of the air stream ensuring maximum water and dirt separation.
- Large filter element surface guarantees low pressure drop and increased element life.
- 40 micron filter element standard, 5 micron available.
- Metal bowl with sight gauge standard.
- Twist drain as standard, optional auto drain.
- Large bowl capacity.
- Optional high capacity bowl(s) available.
- High Flow: 3/4" – 270 SCFM[§]
 1" – 300 SCFM[§]



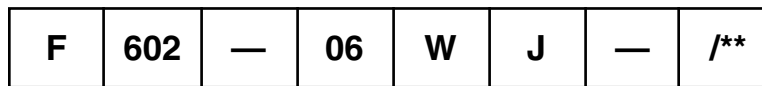
Port Size	NPT	
	Twist Drain	Internal Auto Drain
Metal Bowl / Sight Gauge - 16 oz.		
3/4"	F602-06WJ	F602-06WJR
1"	F602-08WJ	F602-08WJR
Metal Bowl without Sight Gauge - 32 oz.		
3/4"	F602-06EJ	F602-06EJR
1"	F602-08EJ	F602-08EJR

F602-06W, F602-08W Filter Dimensions					
A	B	C	D	E	F
4.90 (124)	7.88 (200)	8.72 (221)	4.06 (103)	0.84 (21)	2.45 (62)
F602-06E, F602-08E Filter Dimensions					
A	B	C	D	E	F
4.90 (124)	11.10 (282)	11.94 (303)	4.06 (103)	0.84 (21)	2.45 (62)

inches (mm)

Standard part numbers shown bold.
 For other models refer to ordering information below.
[§] SCFM = Standard cubic feet per minute at 90 psig inlet and 5 psig pressure drop.

Ordering Information



Port Threads
— NPT
G BSPP

Port Size
06 3/4 Inch
08 1 Inch

Bowl
E 32 oz. Large Capacity Metal without Sight Gauge
W 16 oz. Metal with Sight Gauge

Element
G 5 Micron
J 40 Micron

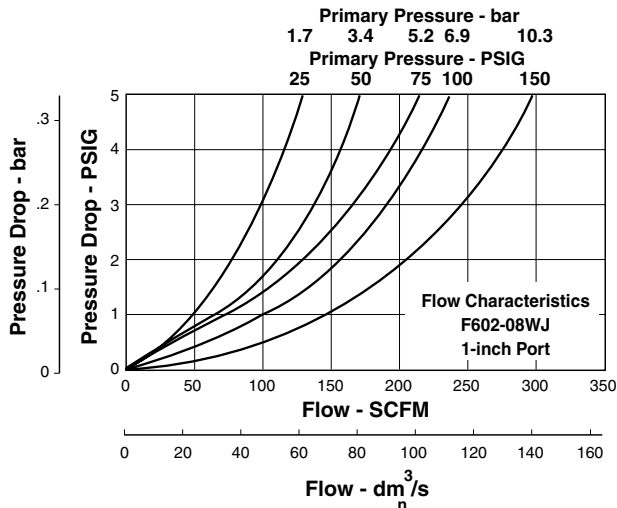
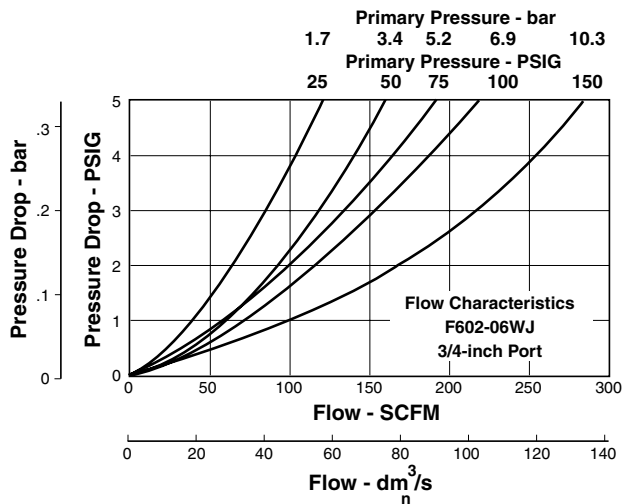
Drains and Options
Blank Manual Twist Drain
Q External Heavy Duty Auto Drain
R Internal Auto Drain
U Semi-Auto Drain

Engineering Level
* Will be Entered at Factory.

BOLD ITEMS ARE MOST POPULAR.

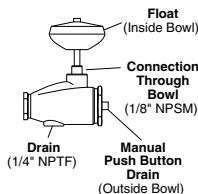


Technical Information



**“Q” Option External Heavy Duty Auto Drain
 SA602D / SA603D**

For heavy duty applications where the filter is being used to remove large volumes of liquid and/or particulate matter from the airstream, the external automatic drain (“Q” option) should be used.



F602 Filter Kits & Accessories

- Bowl Kits –**
 Aluminum (E) 32 oz. BK603B
 Zinc with Sight Gauge (W) 16 oz. BK605WB

- Drain Kits –**
 External Auto (E) 32 oz. SA603D
 External Auto (W) 16 oz. SA602D
 Internal Auto (All) SA602MD
 Manual (All) SA600Y7-1
 Semi-Automatic “Overnight” Drain SA602A7
 (Drains automatically under zero pressure)

- Filter Element Kits –**
 40 Micron (All) EK602B
 5 Micron (All) EK602VB

- Mounting Bracket Kit
 (Pair or 2 Kits Pipe Mounted Brackets needed) –**
 (3/4" Unit) SA200AW57
 (1" Unit) SA200CW57

- Repair Kits –**
 Deflector, Baffle Assembly, and Retaining Rod (E,W) RK602B
 External Auto Drain (All) RK602D
 Internal Auto Drain (All) RK602MD
 Metal Bowl with Sight Gauge (W) 16 oz. RKB605WB

Specifications

- Bowl Capacity –**
 Aluminum Bowl (E) 32 oz. 32 Ounces
 Zinc Bowl (W) 16 oz. 16 Ounces

Port Threads 3/4, 1 Inch

() = Bowl Type

Pressure & Temperature Ratings –

Aluminum Bowl (E) 32 oz. – 0 to 300 psig (0 to 20.4 bar)
 40°F to 150°F (4.4°C to 65.6°C)

Zinc (W) 16 oz. – 0 to 250 psig (0 to 17.2 bar)
 40°F to 150°F (4.4°C to 65.6°C)

With Internal Auto Drain (R) – 20 to 175 psig (1.4 to 11.9 bar)
 40°F to 125°F (4.4°C to 52°C)

With External Auto Drain (Q) – 0 to 250 psig (0 to 17.2 bar)
 40°F to 150°F (4.4°C to 65.6°C)

Weight –

Aluminum Bowl (E) 32 oz. 7 lb. (3.18 kg) / Unit
 28 lb. (12.70 kg) / 4-Unit Master Pack

Zinc Bowl (W) 16 oz. 6.3 lb. (2.86 kg) / Unit
 25 lb. (11.34 kg) / 4-Unit Master Pack

Materials of Construction

Body Zinc

Bowls –

(E) 32 oz. Aluminum without Sight Gauge
 (W) 16 oz. Zinc with Sight Gauge

Drain –

Manual Twist & Overnight Brass
 Housing “R” Acetal
 Housing “Q” Bronze

Filter Elements –

40 Micron (Standard) Polypropylene
 5 Micron (Optional) Polypropylene

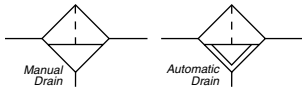
Seals Nitrile

Sight Gauge Nylon

C
Product Selection
Filters
Coalescers
Regulators
Filter / Regulators
Lubricators
Combos
Accessories

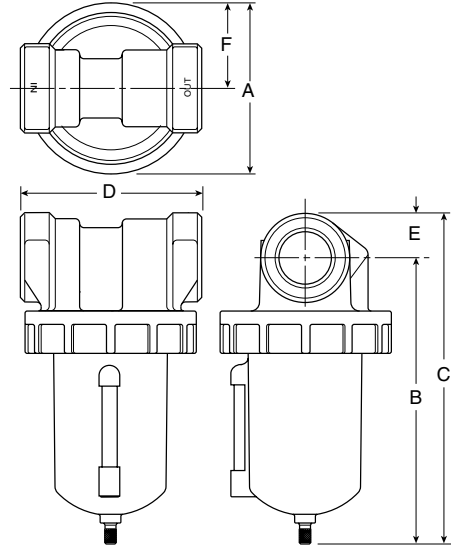


F602 Filters – Hi-Flow



Features

- Excellent water removal efficiency
- For heavy duty applications with minimum pressure drop requirement.
- Unique deflector plate that creates swirling of the air stream ensuring maximum water and dirt separation.
- Large filter element surface guarantees low pressure drop and increased element life.
- 40 micron filter element standard, 5 micron available.
- Metal bowl with sight gauge standard.
- Twist drain as standard, optional auto drain.
- Large bowl capacity.
- Optional high capacity bowl(s) available.
- High Flow: 1-1/4" – 390 SCFM[§]
 1-1/2" – 450 SCFM[§]



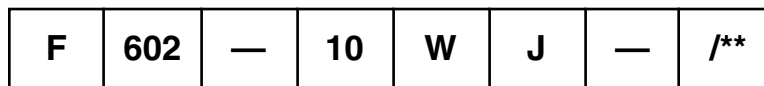
Port Size	NPT	
	Twist Drain	Internal Auto Drain
Metal Bowl / Sight Gauge - 16 oz.		
1-1/4"	F602-10WJ	F602-10WJR
1-1/2"	F602-12WJ	F602-12WJR
Metal Bowl without Sight Gauge - 32 oz.		
1-1/4"	F602-10EJ	F602-10EJR
1-1/2"	F602-12EJ	F602-12EJR

F602-10W, F602-12W Filter Dimensions					
A	B	C	D	E	F
4.90 (124)	8.18 (208)	9.46 (240)	5.19 (132)	1.28 (32.4)	2.45 (62)
F602-10E, F602-12E Filter Dimensions					
A	B	C	D	E	F
4.90 (124)	11.41 (290)	12.69 (322)	5.19 (132)	1.28 (32.4)	2.45 (62)

inches (mm)

Standard part numbers shown bold.
 For other models refer to ordering information below.
[§] SCFM = Standard cubic feet per minute at 90 psig inlet and 5 psig pressure drop.

Ordering Information

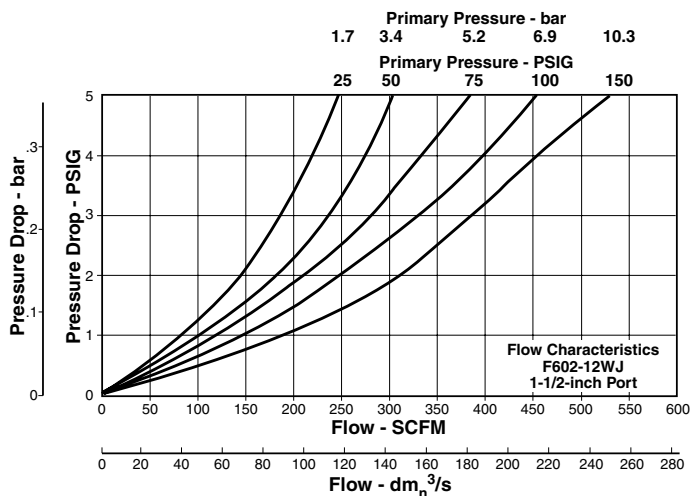
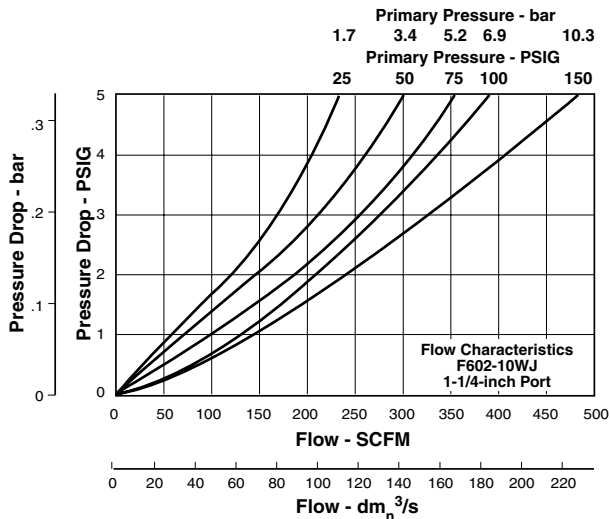


Port Threads — NPT G BSPP	Port Size 10 1-1/4 Inch 12 1-1/2 Inch	Bowl E 32 oz. Large Capacity Metal without Sight Gauge W 16 oz. Metal with Sight Gauge	Element G 5 Micron J 40 Micron	Drains and Options Blank Manual Twist Drain Q External Heavy Duty Auto Drain R Internal Auto Drain U Semi-Auto Drain	Engineering Level * Will be Entered at Factory.
--	--	---	---	---	---

BOLD ITEMS ARE MOST POPULAR.

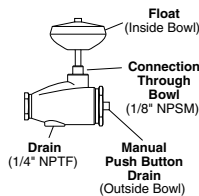


Technical Information



**“Q” Option External Heavy Duty Auto Drain
 SA602D / SA603D**

For heavy duty applications where the filter is being used to remove large volumes of liquid and/or particulate matter from the airstream, the external automatic drain (“Q” option) should be used.



F602 Filter Kits & Accessories

Bowl Kits –

- Aluminum (E) 32 oz.BK603B
- Zinc with Sight Gauge (W) 16 oz. BK605WB

Drain Kits –

- External Auto (E) 32 oz. SA603D
- External Auto (W) 16 oz. SA602D
- Internal Auto (All) SA602MD
- Manual (All) SA600Y7-1
- Semi-Automatic “Overnight” DrainSA602A7
 (Drains automatically under zero pressure)

Filter Element Kits –

- 40 Micron (All)EK602B
- 5 Micron (All) EK602VB

Repair Kits –

- Deflector, Baffle Assembly, and Retaining Rod (All) RK602C
- External Auto Drain (All) RK602D
- Internal Auto Drain (All) RK602MD
- Metal Bowl with Sight Gauge (W) 16 oz.RKB605WB

Specifications

Bowl Capacity –

- Aluminum (E) 32 oz. 32 Ounces
- Zinc (W) 16 oz. 16 Ounces

Port Threads 1-1/4, 1-1/2 Inch

() = Bowl Type

Pressure & Temperature Ratings –

Aluminum Bowl (E) 32 oz. – 0 to 300 psig (0 to 20.4 bar)
 40°F to 150°F (4.4°C to 65.6°C)

Zinc (W) 16 oz. – 0 to 250 psig (0 to 17.2 bar)
 40°F to 150°F (4.4°C to 65.6°C)

With Internal Auto Drain (R) – 20 to 175 psig (1.4 to 11.9 bar)
 40°F to 125°F (4.4°C to 52°C)

With External Auto Drain (Q) – 0 to 250 psig (0 to 17.2 bar)
 40°F to 150°F (4.4°C to 65.6°C)

Weight –

- Aluminum Bowl (E) 32 oz. 7.7 lb. (3.49 kg) / Unit
 31 lb. (14.06 kg) / 4-Unit Master Pack
- Zinc Bowl (W) 16 oz. 7 lb. (3.18 kg) / Unit
 28 lb. (12.70 kg) / 4-Unit Master Pack

Materials of Construction

BodyZinc

Bowls –

- (E) 32 oz. Aluminum without Sight Gauge
- (W) 16 oz.Zinc with Sight Gauge

Drain –

- Manual Twist & OvernightBrass
- Housing “R”Acetal
- Housing “Q” Bronze

Filter Elements –

- 40 Micron (Standard) Polypropylene
- 5 Micron (Optional) Polypropylene

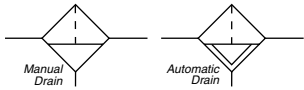
SealsNitrile

Sight GaugeNylon

C
Product Selection
Filters
Coalescers
Regulators
Filter / Regulators
Lubricators
Combos
Accessories

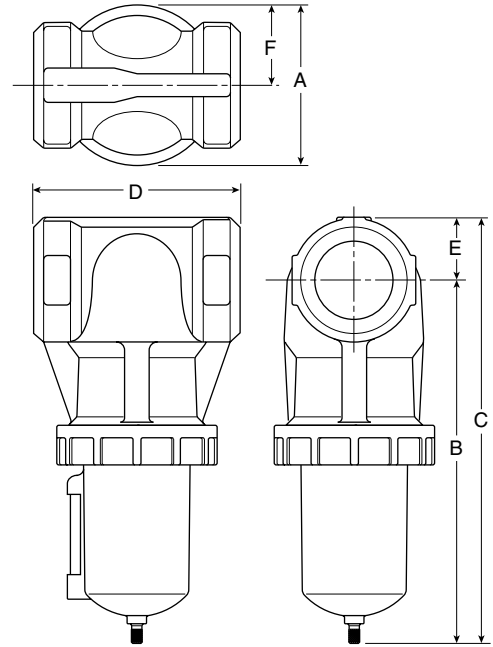


F602 Filters – Hi-Flow



Features

- Excellent water removal efficiency
- For heavy duty applications with minimum pressure drop requirement.
- Unique deflector plate that creates swirling of the air stream ensuring maximum water and dirt separation.
- Large filter element surface guarantees low pressure drop and increased element life.
- 40 micron filter element standard.
- Metal bowl with sight gauge standard.
- Twist drain as standard, optional auto drain.
- Large bowl capacity.
- Optional high capacity bowl(s) available.
- High Flow: 2 & 2-1/2" – 1200 SCFM[§]



Port Size	NPT	
	Twist Drain	Internal Auto Drain
Metal Bowl / Sight Gauge - 16 oz.		
2"	F602-16WJ	F602-16WJR
2-1/2"	F602-20WJ	F602-20WJR
Metal Bowl without Sight Gauge - 32 oz.		
2"	F602-16EJ	F602-16EJR
2-1/2"	F602-20EJ	F602-20EJR

F602-16W, F602-20W Filter Dimensions					
A	B	C	D	E	F
4.90 (124)	11.08 (281)	13.00 (330)	6.30 (160)	1.92 (48.7)	2.45 (62)
F602-16E, F602-20E Filter Dimensions					
A	B	C	D	E	F
4.90 (124)	14.31 (364)	16.23 (412)	6.30 (160)	1.92 (48.7)	2.45 (62)

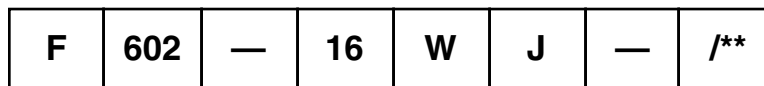
inches (mm)

Standard part numbers shown bold.

For other models refer to ordering information below.

[§] SCFM = Standard cubic feet per minute at 90 psig inlet and 5 psig pressure drop.

Ordering Information



Port Threads
— NPT
G BSPP

Port Size
16 2 Inch
20 2-1/2 Inch

Bowl
E 32 oz. Large Capacity Metal without Sight Gauge
W 16 oz. Metal with Sight Gauge

Element
J 40 Micron

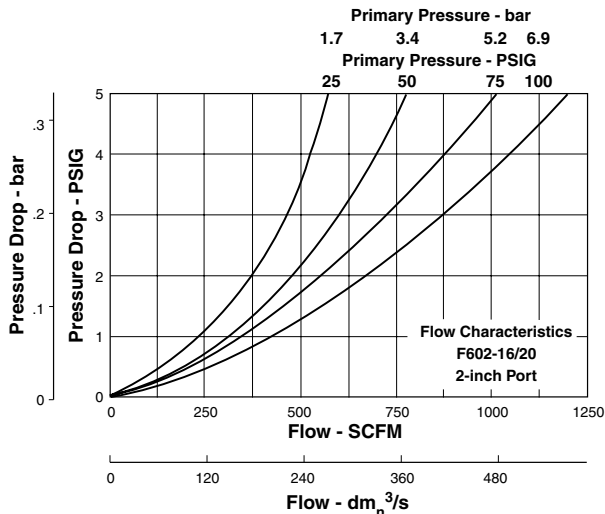
Drains and Options
Blank Manual Twist Drain
Q External Heavy Duty Auto Drain
R Internal Auto Drain
U Semi-Auto Drain

Engineering Level
* Will be Entered at Factory.

BOLD ITEMS ARE MOST POPULAR.

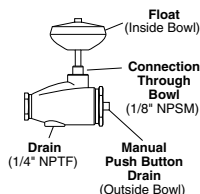


Technical Information



**“Q” Option External Heavy Duty Auto Drain
 SA602D / SA603D**

For heavy duty applications where the filter is being used to remove large volumes of liquid and/or particulate matter from the airstream, the external automatic drain (“Q” option) should be used.



F602 Filter Kits & Accessories

- Bowl Kits –**
 Aluminum (E) 32 oz.BK603B
 Zinc with Sight Gauge (W) 16 oz. BK605WB
- Drain Kits –**
 External Auto (E) 32 oz..... SA603D
 External Auto (W) 16 oz. SA602D
 Internal Auto (All) SA602MD
 Manual (All) SA600Y7-1
 Semi-Automatic “Overnight” Drain.....SA602A7
 (Drains automatically under zero pressure)
- Filter Element Kits –**
 40 Micron (All) EK602G
- Repair Kits –**
 Deflector, Baffle Assembly, and Retaining Rod (All) RK602C
 External Auto Drain (All) RK602D
 Internal Auto Drain (All) RK602MD
 Metal Bowl with Sight Gauge (W) 16 oz.RKB605WB

Specifications

- Bowl Capacity –**
 Aluminum (E) 32 oz. 32 Ounces
 Zinc (W) 16 oz. 16 Ounces
- Port Threads**2, 2-1/2 Inch

() = Bowl Type

Pressure & Temperature Ratings –

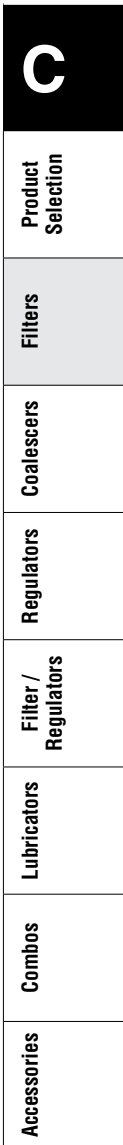
- Aluminum Bowl (E) 32 oz. – 0 to 300 psig (0 to 20.4 bar)
 40°F to 150°F (4.4°C to 65.6°C)
- Zinc (W) 16 oz. – 0 to 250 psig (0 to 17.2 bar)
 40°F to 150°F (4.4°C to 65.6°C)
- With Internal Auto Drain (R) – 20 to 175 psig (1.4 to 11.9 bar)
 40°F to 125°F (4.4°C to 52°C)
- With External Auto Drain (Q) – 0 to 250 psig (0 to 17.2 bar)
 40°F to 150°F (4.4°C to 65.6°C)

Weight –

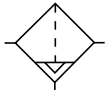
- Aluminum Bowl (E) 32 oz. 10.3 lb. (4.67 kg) / Unit
 11 lb. (4.99 kg) / 1-Unit Master Pack
- Zinc Bowl (W) 16 oz. 9.8 lb. (4.45 kg) / Unit
 39 lb. (17.69 kg) / 4-Unit Master Pack

Materials of Construction

- Bowl** Aluminum
- Bowls –**
 (E) 32 oz. Aluminum without Sight Gauge
 (W) 16 oz. Zinc with Sight Gauge
- Drain –**
 Manual Twist & Overnight Brass
 Housing “R” Acetal
 Housing “Q” Bronze
- Filter Elements –**
 40 Micron (Standard) Polypropylene
- Seals** Buna N
- Sight Gauge** Nylon



35F, 43F Filters – Hi-Flow



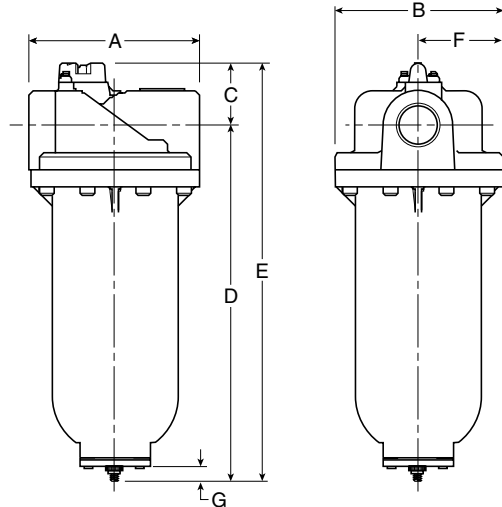
Auto Drain



Features

- Heavy-duty cast aluminum housings to withstand operating pressures up to 250 PSIG*
- Differential pressure indicator to eliminate the guesswork of element replacement
- Differential pressure gauge available, order separately, Kit DP3-01-000
- Unique drain mounting plate design offers a trouble-free method for interchanging and installing external drains
- High Flow: 1-1/2" – 1280 SCFM[§]
 2" – 1400 SCFM[§]
 3" – 2900 SCFM[§]

* Without Differential Pressure Indicator –
 Max. supply pressure is 250 PSIG (20.7 bar).



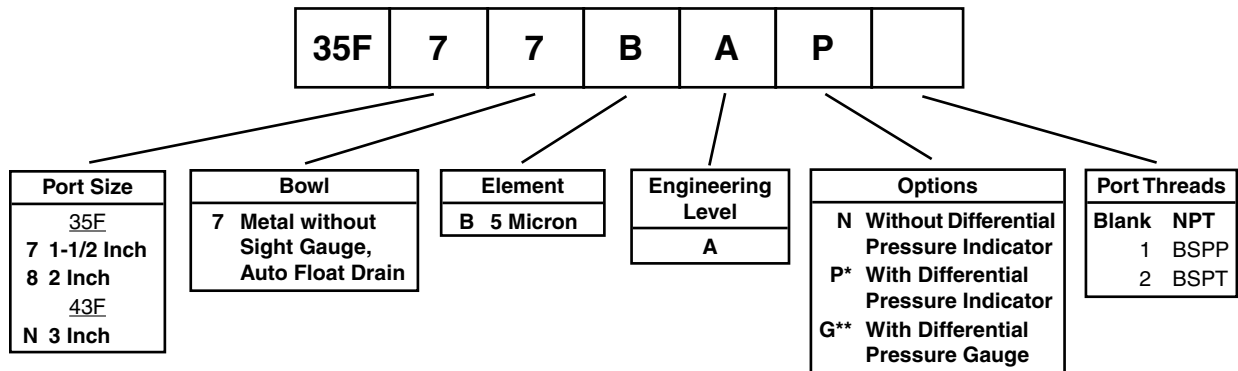
	Port size	Element type	Part number (NPT)
			Automatic drain
35F	1-1/2	5 micron	35F77BAP
	2	5 micron	35F87BAP
43F	3	5 micron	43FN7BAP

35F Filter Dimensions						
A	B	C	D	E	F	G
7.80 (198)	7.75 (197)	2.81 (71)	16.24 (412.5)	19.07 (484)	3.88 (98.6)	.55 (14)
43F Filter Dimensions						
A	B	C	D	E	F	G
8.94 (227)	8.88 (225.5)	3.48 (88)	25.96 (659.4)	29.44 (748)	4.44 (112.8)	.55 (14)

inches (mm)

Standard part numbers shown bold.
 For other models refer to ordering information below.
[§] SCFM = Standard cubic feet per minute at 90 psig inlet and 5 psig pressure drop.

Ordering Information

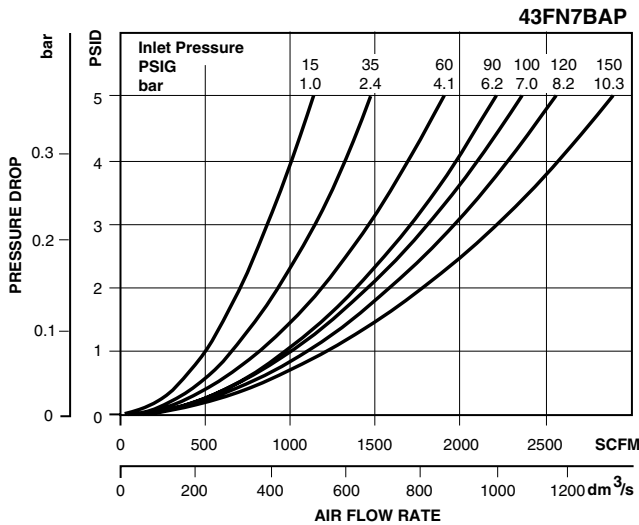
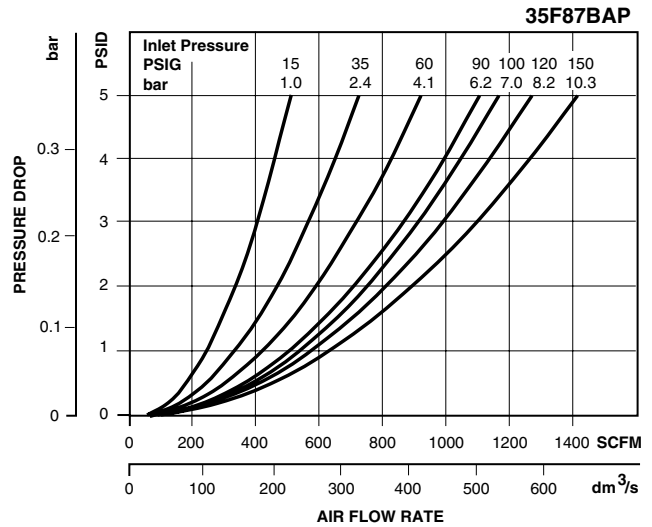
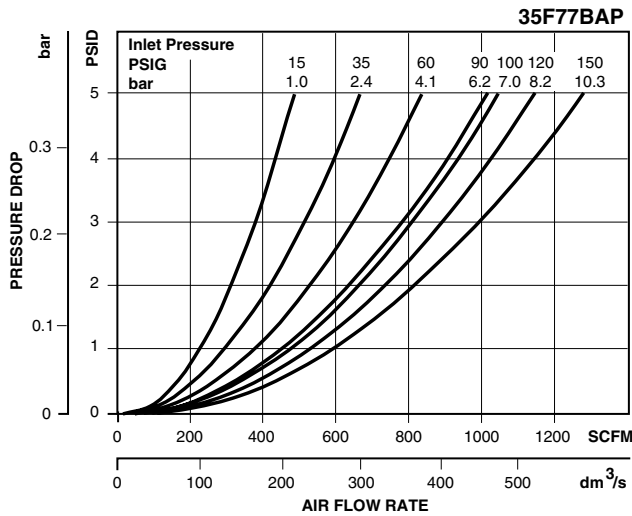


* Max. pressure rating 150 PSIG.
 ** Gauge ships loose.

BOLD ITEMS ARE MOST POPULAR.



Technical Information



35F & 43F Filter Kits & Accessories

- Differential Pressure Indicator Cap –
 For pressures over 150 PSIG GRP-95-022
- Differential Pressure Gauge..... DP3-01-000
- Differential Pressure Indicator..... DP2-02-001
- Drain, Automatic, Internal, Fluorocarbon,
 1/8 NPT..... GRP-95-981
- Drain Plate Kit –
 1/2 NPT Tapped Drain Port GRP-95-393
- Element
 35F, 5 Micron FRP-95-505
 43F, 5 Micron FRP-95-508
- Manual Drain Kit
 with 1/2" Drain Plate GRP-95-392

Specifications

- Maximum Supply Pressure** without DPI and with Pressure Gauge..... 250 PSIG (17.2 bar)*
 with DPI..... 150 PSIG (10.3 bar)
- Operating Temperature** 32° to 150°F (0° to 65.5°C)

- Port Size –**
 35F 1-1/2, 2 Inch
 43F 3 Inch
- Standard Filtration**..... 5 Micron
- Weight –**
 35F 19.3 lb. (8.7 kg)
 43F 32.8 lb. (14.9 kg)

* Without pressure indicator

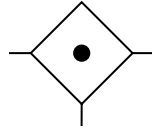
Materials of Construction

- Baffle** Plated Steel
- Body** Aluminum
- Bowls**..... Aluminum
- Deflector**..... Plated Steel
- Element Retainer** Plated Steel
- Filter Element** Polyethylene
- Seals**..... Fluorocarbon
- Stud** Plated Steel

C	Product Selection
	Filters
	Coalescers
	Regulators
	Filter / Regulators
	Lubricators
	Combos
	Accessories



Coalescing Filters



- Pipe Sizes 1/8 thru 3 Inch
- Flows to 1660 SCFM
- Pressures to 250 psig

Coalescing filters are designed to remove 99.9% + of the liquid aerosols, both water and oil, and submicron particulate matter from your pneumatic system. These filters will provide oil free air for applications such as spray painting, air gauging, pneumatic instrumentation, printing and packaging.

- Miniature 02F Series, 1/4 Inch I.D.
- Miniature 10F Series, 1/8 and 1/4 Inch
- Economy 15F Series, 1/4 and 3/8 Inch
- Compact 11F Series, 1/4, 3/8 and 1/2 Inch
- Standard 12F Series, 3/8, 1/2 and 3/4 Inch
- High Flow P3NF Series, 3/4, 1 and 1-1/2 Inch
- High Flow F701 Series, 3/4 & 1 Inch
- Hi-Flow 35F Series, 1-1/2 and 2 Inch
- Hi-Flow 43F Series, 3 Inch
- P3TF Series Flanged Filters, 4 & 6 Inch

Filter Selection

1. Determine flow and pressure requirements.
2. Refer to Flow Chart and select the proper filter to match your flow and pressure needs.

Media Specifications

Grade	Coalescing Efficiency 0.3 to 0.6 Micron Particles	Maximum Oil Carryover ¹ PPM w/w	Micron Rating	Pressure Drop (PSID) ² @ Rated Flow	
				Media Dry	Media Wet With 10-20 wt. oil
6	99.97%	0.008	0.01	1.0	2-3
10	95%	0.85	1.0	0.5	0.5

¹ Tested per BCAS 860900 at 40 ppm inlet.

² Add dry + wet for total pressure drop.

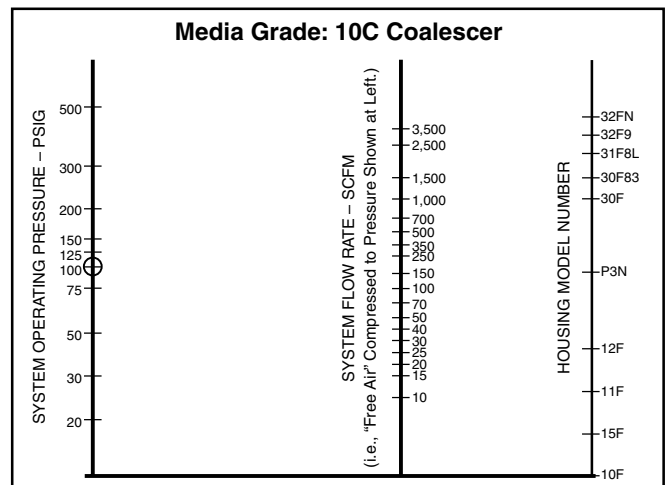
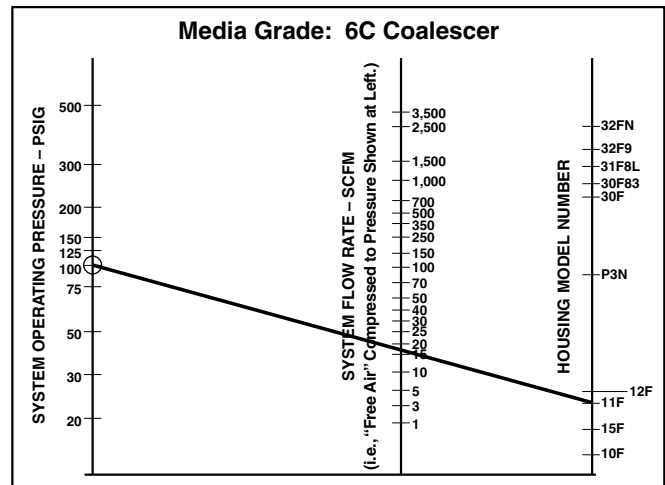
D.O.P. = Dioctylphthalate

Element Selection

Element Grade	Applications
6 (.01 Micron)	General air coalescing applications when total removal of liquid aerosols and suspended fines is required in all pressure ranges. Protection of air dryers, air gauging, air logic, modulating systems, critical air conveying, most breathing air systems, etc.
10 (.7 Micron)	Precoalescer or prefilter for Grade 6 to remove gross amounts of water and oil, or tenacious aerosols which are difficult to remove. Upgrading existing particulate equipment to coalescing without increase in pressure drop.

Reading Nomograms for Coalescing Filters

To size a coalescer, refer to the nomograms below. First determine the system pressure and find that pressure on the vertical axis on the left. Next, find the required flow rate on the middle vertical axis. Draw a connecting line between the two points extending to the middle vertical axis giving the recommended coalescer series. If the intersection on the model number axis is between models then choose the model above the intersection point insuring the proper flow in the unit.



Product Selection	Filters	Coalescers	Regulators	Filter / Regulators	Lubricators	Combs	Accessories
-------------------	---------	------------	------------	---------------------	-------------	-------	-------------

**Coalescing Filters
(Oil Removal)**

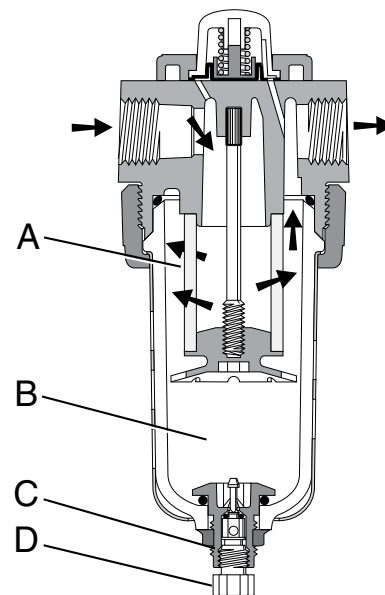
Specifically designed for the removal of solid particles, water and oil aerosols down to 0.01 micron. Maximum remaining oil content of air leaving the filter down to 0.01ppm at 70°F (21°C) at a pressure of 100 psig (6.9 bar) using a typical compressor lubricant. Two filter element grades are offered to better meet your air quality requirements.

Grade 10 filter elements are used for most air coalescing applications where the removal of liquid aerosols and submicronic particles for general air quality is required. Protection of components such as air valves, cylinders, as well as air conveyors, air gaging, air bearings, air control circuits and paint spraying equipment are examples of specific end-use applications. This grade of filter element should be used as a prefilter for the Grade C coalescing filter.

Grade 6 high-efficiency filter elements are used where the removal of extremely fine particulate and virtually “oil-free” or high quality air is necessary. Specific end-use applications are protection of critical air control circuits, air logic systems, flow and temperature controllers, food processing, electronics, health care and film processing.

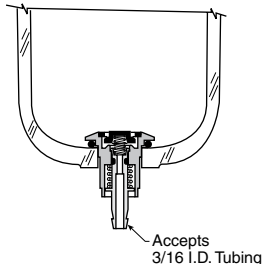
The contaminated air enters the element interior and is forced through a thick membrane of borosilicate glass fibers coated with epoxy (A). Flow then passes through an outer structural support and, at this stage, has removed up to 99.97% + of the sub-micron particles evident in the contaminated air. These tiny droplets coalesce together and are blotted from the filter surface by the drain and release layers of non-woven glass felt and rayon cloth. The drops now begin

a gravitational passage to the filter sump (B) where they can be manually or automatically drained. The clean, filtered air now passes through the outer screen plastic net and out into the pneumatic system. The Air Line Coalescing Filter removes liquid aerosols and sub-micron particulate matter. Collected liquids and particles in the “quiet zone” should be drained before their level reaches a height where they would be reentrained in the flowing air. This can be accomplished by the manual drain (C) which is actuated by twisting knob (D) counterclockwise. On the 30 Series, unscrew the drain valve (E) slightly until the liquid begins to drain.



C	Product Selection
Filters	
Coalescers	
Regulators	
Filter / Regulators	
Lubricators	
Combos	
Accessories	

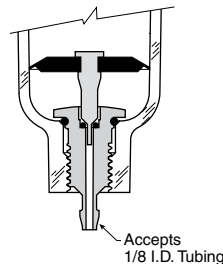
Semi Automatic Drain



(Overnight Drain)

This drain offers a semi-automatic function when there is a differential pressure in the filter which occurs when system pressure is shut off. The drain can also be used manually by gripping it with your fingertips and pushing upward.

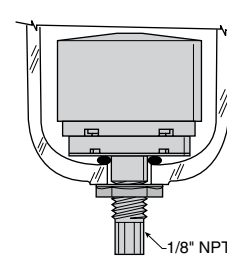
Automatic Pulse Drain



(Spitter Drain)

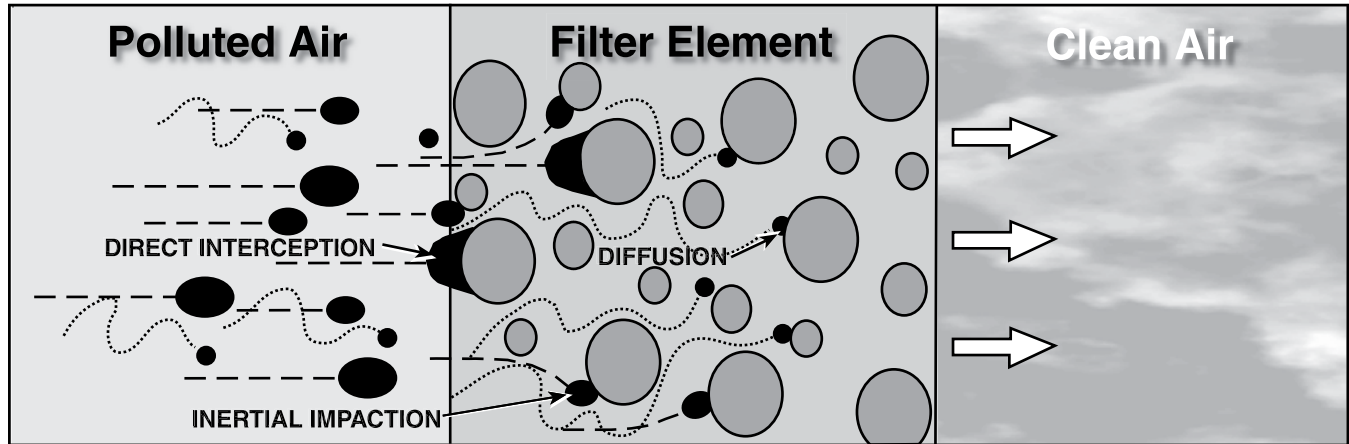
The diaphragm in this drain pulses when there is a pressure differential such as a valve cycling or cylinder stroking downstream. This action flexes the diaphragm and allows the filter to drain the entrapped water.

Automatic Float Drain



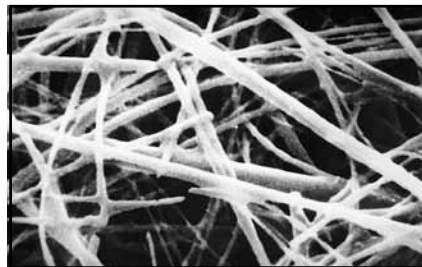
The float internal to this drain rises with increased liquid level. When the float rises, it opens a seat area allowing the trapped liquids to drain through the bottom. A manual override can be pushed in the bottom of the drain to unseat the float if particulates create a block.

Filter Technology – Mechanisms of Filtration



Coalescing Filters

Essentially, coalescing filters Grade 10 (.7 micron) & 6 (.01 micron), rely on what is known as mechanical filtration for their effectiveness. The main mechanisms of mechanical filtration are direct interception, inertial impaction and diffusion. Electrostatic attraction can have some bearing although the efficiency of coalescing filters is not dependent on this mechanism.



Above: Clean borosilicate microfiber seen at a magnification factor of 3900.
 Right: The same filter material in a contaminated state at the same degree of magnification.



When all mechanisms are combined and utilized by a deep bed of the correct type of filter material, removal of virtually all particles whether liquid or solid, is achieved.

Direct Interception occurs when a particle collides with and adheres to a fiber of the filter material without deviating out of the streamline flow. This mechanism tends to take place on the surface of the filter material and affects mainly larger particles over 1 micron in size.



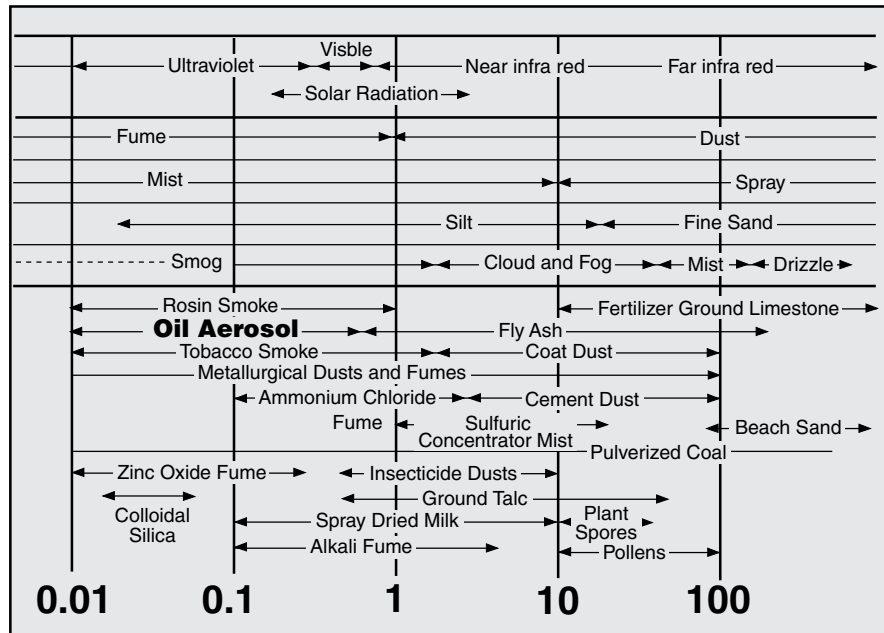
Inertial Impaction occurs when a particle is unable to follow the tortuous path around the filter fibers and eventually collides with and adheres to one of the fibers. Typically affecting particles in the 0.3 micron -1 micron size range.



Diffusion or Brownian Movement, as it is sometimes called, occurs with extremely small particles which tend to wander within the gas stream, increasing their chances of colliding with and adhering to a fiber. This usually affects particles below 0.3 micron in size. A degree of overlap takes place with the mechanisms, the extent varying on the conditions.



Pollution Size Chart



To assist in understanding the parameters of filtration, refer to this pollution size comparison chart. Look at the size of a major contaminant, oil aerosol! It is in the region of 0.01 - 0.8 micron. Tobacco smoke is also a liquid

aerosol in a similar size band 0.01 -1.2 micron. Observe the smoke test yourself, appreciate the size of the problem! The smallest particle the human eye can see is in the order of 40 microns.



Product Selection

Filters

Coalescers

Regulators

Filter / Regulators

Lubricators

Combs

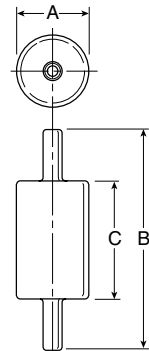
Accessories

02F Coalescing Filters – Miniature



Features

- Clear nylon housing.
- Full length support tube.
- Positive tube seals.
- Optional filter grades available.
- Disposable.
- High Flow: Grade 6 – 3.5 SCFM[§]
 Grade 10 – 5.3 SCFM[§]



Application

The 02F Miniature Inline Filter is designed to remove 99.9%+ of the aerosols and sub-micron particles from your air system.

Port Size	Model	Element
1/4" I.D.	02FA06A	Grade 6
	02FA10A	Grade 10
	02FA22A	Grade 6 (oil activated dye)

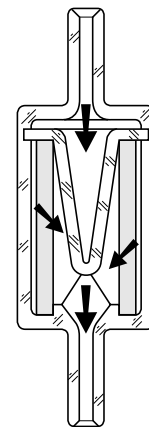
02F Coalescing Filter Dimensions		
A	B	C
1.00	3.28	1.69
(25)	(83)	(43)

Inches (mm)

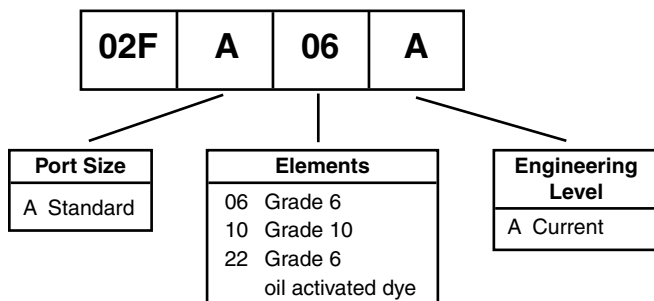
[§] SCFM @ 1 PSID Operating Pressure 100 psig.

Operation

The contaminated air enters the filters interior and is forced through the elements membrane of Borosilicate glass fibers. Contaminants and aerosols are collected and distributed evenly along the entire tubes length. This is accomplished by the use of the “center post” which not only provides this “drop out pocket”, but also provides a stable support.



Ordering Information



Specifications

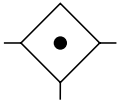
Port Size 1/4 I.D. Hose Slip On Tang Standard
 Pressure & Temperature Ratings –
 100 psig at 125°F (0.69 bar at 52°C) or less

Materials of Construction

Element Borosilicate & Felt Glass Fibers
 Housing Nylon

C	Product Selection
	Filters
	Coalescers
	Regulators
	Filter / Regulators
	Lubricators
	Combs
	Accessories

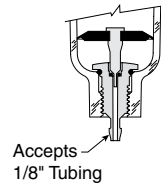
10F Coalescing Filters – Miniature



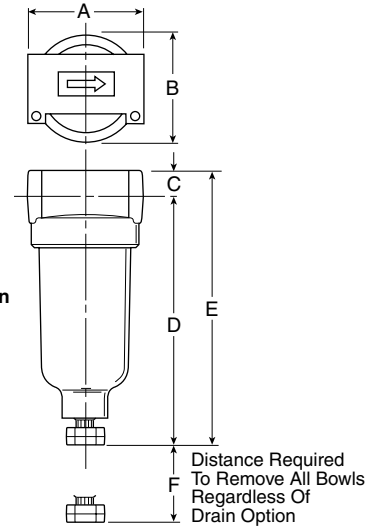
Features

- Removes liquid aerosols and sub-micron particles.
- Liquids gravitate to the bottom of the element and will not re-enter the airstream.
- Oil free air for critical applications, such as air gauging and pneumatic instrumentation and controls.
- Interchangeable twist and automatic pulse drains.
- Grade 6 element, 99.97% DOP efficiency.
- High Flow: Grade 6 Element
 1/8" – 17 SCFM[§]
 1/4" – 20 SCFM[§]
 Grade 10 Element
 1/8" – 19 SCFM[§]
 1/4" – 24 SCFM[§]

Automatic Pulse Drain



Accepts 1/8" Tubing



Distance Required To Remove All Bowls Regardless Of Drain Option

Port Size	NPT	
	Twist Drain	Automatic Pulse Drain
Poly Bowl †		
1/8"	10F01ED	10F05ED
1/4"	10F11ED	10F15ED
Metal Bowl without Sight Gauge		
1/8"	10F03ED	10F07ED
1/4"	10F13ED	10F17ED

10F Coalescing Filter Dimensions		
A	B	C
1.69 (43)	1.56 (39,6)	0.39 (10)
D	D†	E
3.82 (97)	3.67 (93)	4.21 (107)
E†	F	
4.06 (103)	1.60 (41)	

Inches (mm)

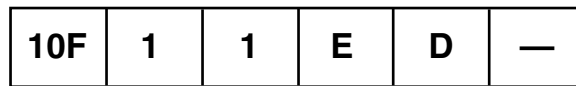
† With Automatic Pulse Drain.

Standard part numbers shown bold, with Grade 6 Elements (for Grade 10 Elements, replace "E" with "H" in the 6th position). For other models refer to ordering information below.

‡ For polycarbonate bowl see Caution on page C2.

§ SCFM = Standard cubic feet per minute at 90 psig inlet and 5 psig pressure drop.

Ordering Information



Port Size
0 1/8 Inch
1 1/4 Inch

Bowl Options
Polycarbonate Bowl
1 Twist Drain
5 Automatic Pulse Drain
Metal Bowl
3 Twist Drain
7 Automatic Pulse Drain

Elements
E Grade 6
H Grade 10

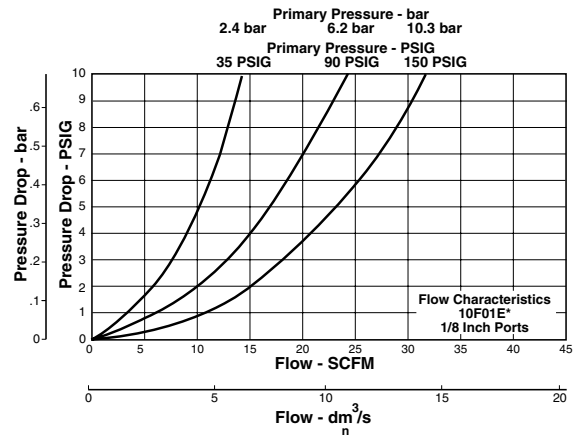
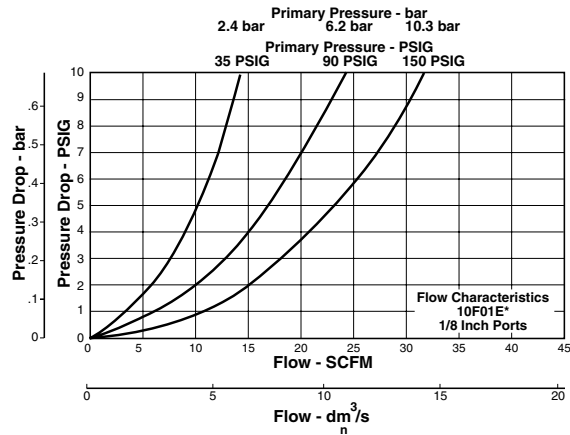
Engineering Level
D Current

Port Type
Blank NPT
1 BSPP
2 BSPT

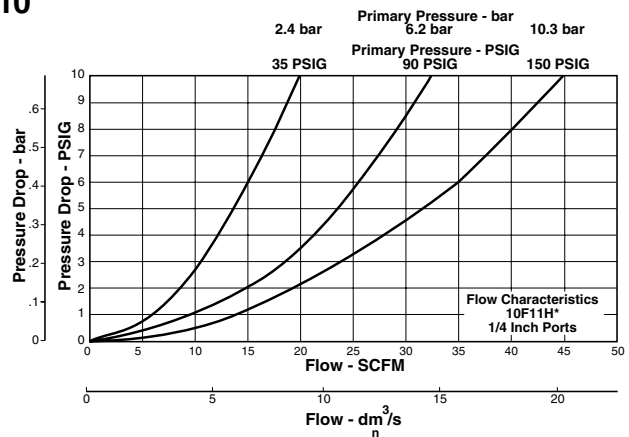
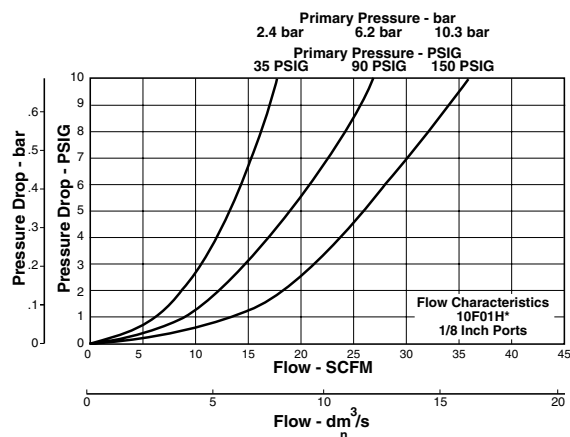
BOLD ITEMS ARE MOST POPULAR.

Technical Information

Grade 6



Grade 10



10F Coalescing Filter Kits & Accessories

Bowl Kits –

- Poly Bowl – Automatic Pulse Drain PS408BP
- Twist Drain PS404P
- Metal Bowl – Automatic Pulse Drain PS451BP
- Twist Drain PS447BP

- Filter Element Kits – Grade 6 (Standard)..... PS446P**
- Grade 10 (Optional) PS456P

- Mounting Bracket Kit PS417BP**

Specifications

Automatic Pulse Drain Tube Barb..... 1/8 Inch

Bowl Capacity 1 Ounce

Operation –

- Normal Operating Pressure Drop2 psig
- Maximum Recommended Pressure Drop 10 psig
 (Element should be replaced)

Port Threads 1/8, 1/4 Inch

Pressure & Temperature Ratings –

Polycarbonate Bowl 0 to 150 psig (0 to 10.3 bar)
 32°F to 125°F (0°C to 52°C)

Metal Bowl..... 0 to 250 psig (0 to 17.2 bar)
 32°F to 175°F (0°C to 80°C)

Automatic Pulse Drain10 to 250 psig (0.7 to 17.2 bar)
 at 125°F (52°C) or less

Weight 0.41 lb. (0.18 kg)

Materials of Construction

Body Zinc

**Bowls Transparent Polycarbonate
 Metal (Zinc) Without Sight Gauge**

Drains – Twist Drain –

- Body & Stem Plastic
- Seals Nitrile
- Automatic Pulse Drain –
- Piston & Seals..... Nitrile
- Stem, Seat, Adaptor & Washers..... Aluminum

Element Holder Plastic

Filter Element –

- Borosilicate & felt glass fibers 99.97% DOP efficiency
- Largest Aerosol Particle Passed (Grade 6) 0.01 Micron
- Largest Solid Particle Passed (Grade 6)..... 0.30 Micron

Seals Nitrile



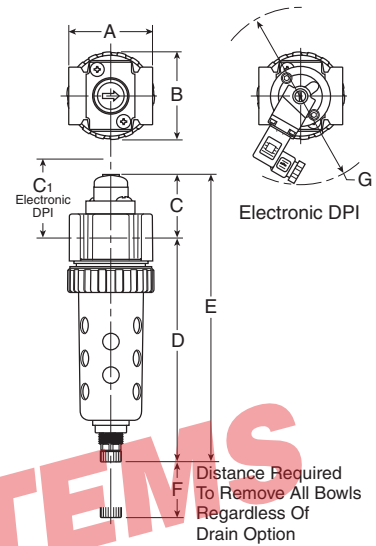
C	Product Selection
Filters	Coalescers
Regulators	Filter / Regulators
Lubricators	Compos
Accessories	

15F Coalescing Filters – Economy

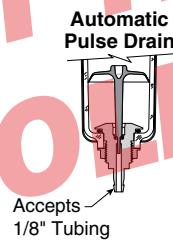


Features

- Removes liquid aerosols and sub-micron particles.
- Liquids gravitate to the bottom of the element and will not re-enter the airstream.
- Oil free air for critical applications, such as air gauging and pneumatic instrumentation and controls.
- Interchangeable twist and automatic pulse drains.
- Differential pressure indicator standard.
- High Flow: Grade 6 Element Grade 10 Element
 1/4" – 30 SCFM § 1/4" – 51 SCFM §
 3/8" – 30 SCFM § 3/8" – 66 SCFM §



Port Size	NPT	
	Twist Drain	Automatic Pulse Drain
Poly Bowl† / Metal Guard		
1/4"	15F12E*	15F1PE*
3/8"	15F22E*	15F2PE*
Metal Bowl / Sight Gauge		
1/4"	15F14E*	15F1TE*
3/8"	15F24E*	15F2TE*



15F Coalescing Filter Dimensions		
A	B	C
2.00 (51)	2.06 (52)	1.50 (38)
C₁	D †	E †
1.86 (47)	5.35 (136)	6.85 (174)
F	G Dia.	
1.77 (45)	4.50 (114)	

Inches (mm)
† With Twist Drain or Automatic Float Drain

Standard part numbers shown bold, with Grade 6 Elements (for Grade 10 Elements, replace "E" with "H" in the 6th position). For other models refer to ordering information below.

† For polycarbonate bowl see Caution on page C2.

§ SCFM = Standard cubic feet per minute at 90 psig inlet and 5 psig pressure drop.

Ordering Information

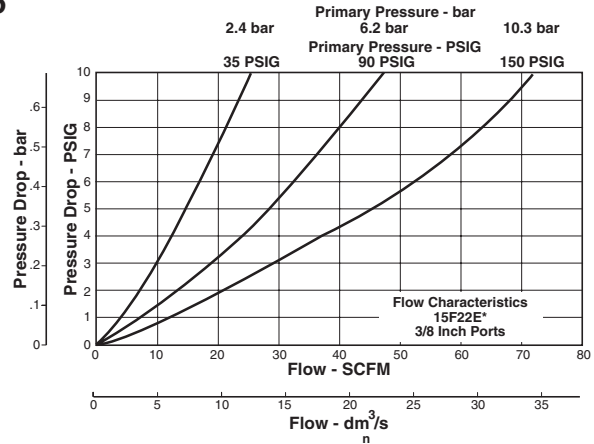
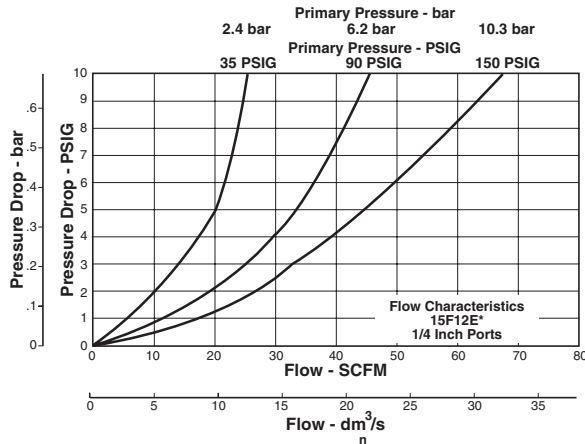


Port Size	Bowl Options	Elements	Engineering Level	Port Type	Options																							
1 1/4 Inch 2 3/8 Inch	<table border="1"> <tr> <th>Polycarbonate Bowl</th> <th>Metal Bowl</th> </tr> <tr> <td>1 Twist Drain</td> <td>3 Twist Drain</td> </tr> <tr> <td>2 Metal Bowl Guard / Twist Drain</td> <td>4 Sight Gauge / Twist Drain</td> </tr> <tr> <td>N Auto Pulse Drain</td> <td>R Auto Pulse Drain</td> </tr> <tr> <td>P Metal Bowl Guard / Auto Pulse Drain</td> <td>T Sight Gauge / Auto Pulse Drain</td> </tr> </table>	Polycarbonate Bowl	Metal Bowl	1 Twist Drain	3 Twist Drain	2 Metal Bowl Guard / Twist Drain	4 Sight Gauge / Twist Drain	N Auto Pulse Drain	R Auto Pulse Drain	P Metal Bowl Guard / Auto Pulse Drain	T Sight Gauge / Auto Pulse Drain	<table border="1"> <tr> <th>E Grade 6</th> <th>H Grade 10</th> </tr> </table>	E Grade 6	H Grade 10	<table border="1"> <tr> <th>A Current</th> </tr> </table>	A Current	<table border="1"> <tr> <th>Blank</th> <th>NPT</th> </tr> <tr> <td>1* BSPP</td> <td>2 BSPT</td> </tr> </table> <p>* 1/4 & 3/8 inch meet ISO 1179-1 Standard.</p>	Blank	NPT	1* BSPP	2 BSPT	<table border="1"> <tr> <th>Blank</th> <th>With Differential Pressure Indicator</th> </tr> <tr> <td>N</td> <td>Without Differential Pressure Indicator</td> </tr> <tr> <td>R</td> <td>With Electronic DPI</td> </tr> </table>	Blank	With Differential Pressure Indicator	N	Without Differential Pressure Indicator	R	With Electronic DPI
Polycarbonate Bowl	Metal Bowl																											
1 Twist Drain	3 Twist Drain																											
2 Metal Bowl Guard / Twist Drain	4 Sight Gauge / Twist Drain																											
N Auto Pulse Drain	R Auto Pulse Drain																											
P Metal Bowl Guard / Auto Pulse Drain	T Sight Gauge / Auto Pulse Drain																											
E Grade 6	H Grade 10																											
A Current																												
Blank	NPT																											
1* BSPP	2 BSPT																											
Blank	With Differential Pressure Indicator																											
N	Without Differential Pressure Indicator																											
R	With Electronic DPI																											

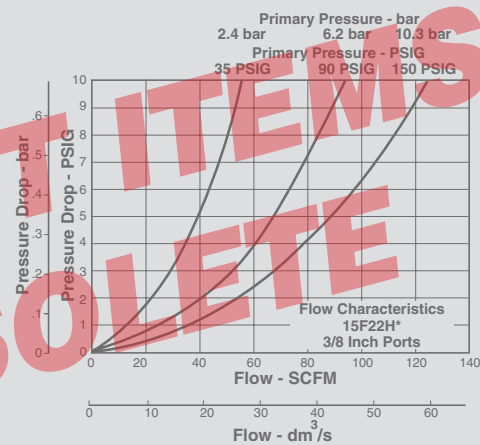
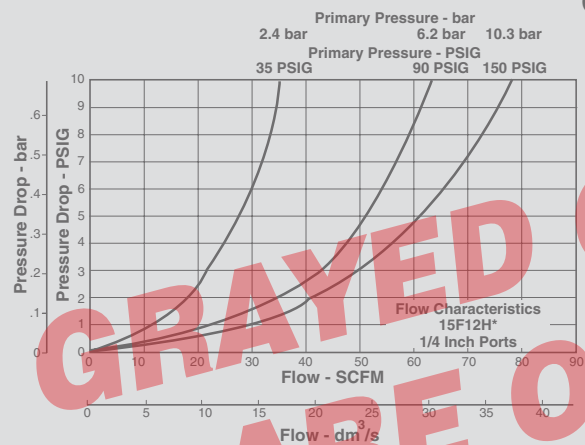
BOLD ITEMS ARE MOST POPULAR.

Technical Information

Grade 6



Grade 10



GRAYED OUT ITEMS
 ARE OBSOLETE

15F Coalescing Filter Kits & Accessories

Bowl Guard Kit	PS905P
Bowl Kits –	
Poly Bowl – Automatic Pulse Drain	PS995P
Twist Drain	PS932P
Metal Bowl – Automatic Pulse Drain	PS997P
Twist Drain	PS934P
Sight Gauge / Automatic Pulse Drain	PS996P
Sight Gauge / Twist Drain	PS935P
DPI Replacement Kit	PS781P
Electronic DPI Replacement Kit	PS764
Drain Kit – Automatic Pulse Drain	PS998P
Semi-Auto Drain	PS511P
Twist Drain	PS512P
Push ‘N’ Drain	PS513P
Electrical Connector - 15mm, 3-Pin DIN, 6 Ft. Cord	PS2932JBP
Filter Element Kits – Grade 6 (Standard)	PS924P
Grade 10 (Optional)	PS930P
Mounting Bracket Kit	PS943P
Sight Gauge Kit	PS914P

Specifications

Bowl Capacity	2.0 Ounces
Sump Capacity	0.9 Ounce
Port Threads	1/4, 3/8 Inch

Pressure & Temperature Ratings –

Without Differential Pressure Indicator:

Polycarbonate Bowl – 0 to 150 psig (0 to 10.3 bar)
32°F to 125°F (0°C to 52°C)

Metal Bowl – 0 to 250 psig (0 to 17.2 bar)
32°F to 175°F (0°C to 80°C)

With Differential Pressure Indicator:

0 to 150 psig (0 to 10.3 bar)
32°F to 125°F (0°C to 52°C)

Weight 1.2 lb. (0.54 kg)

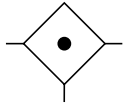
Materials of Construction

Body	Zinc
Bowls	Transparent Polycarbonate
	Metal (Zinc) Without Sight Gauge
Bowl Guards	Steel
Collar	Plastic
Drain	Plastic
Filter Element –	
Borosilicate & felt glass fibers 99.97% DOP efficiency	
Largest Aerosol Particle Passed (Grade 6)	0.01 Micron
Largest Solid Particle Passed (Grade 6)	0.30 Micron
Seals	Nitrile
Sight Gauge, DPI	Polyamide (Nylon)



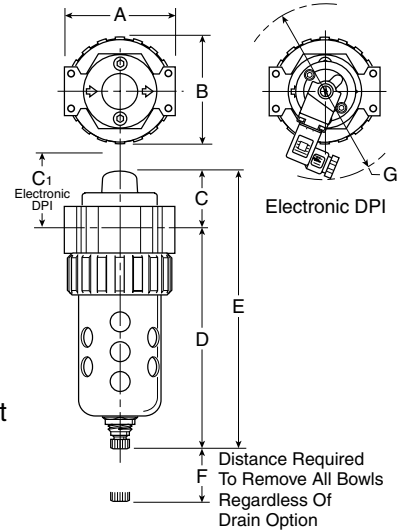
C
Product Selection
Filters
Coalescers
Regulators
Filter / Regulators
Lubricators
Combos
Accessories

11F Coalescing Filters – Compact



Features

- Removes liquid aerosols and sub-micron particles.
- Liquids gravitate to the bottom of the element and will not re-enter the airstream.
- Oil free air for critical applications, such as air gauging and pneumatic instrumentation and controls.
- Interchangeable twist and automatic float drains.
- Differential pressure indicator standard.
- Shown with recommended metal bowl guard.
- High Flow: Grade 6 Element Grade 10 Element
 1/4" – 45 SCFM§ 1/4" – 60 SCFM§
 3/8" – 48 SCFM§ 3/8" – 72 SCFM§
 1/2" – 65 SCFM§ 1/2" – 95 SCFM§



Port Size	NPT	
	Twist Drain	Automatic Float Drain
Poly Bowl † / Metal Guard		
1/4"	11F12EC	11F16EC
3/8"	11F22EC	11F26EC
1/2"	11F32EC	11F36EC
Metal Bowl / Sight Gauge		
1/4"	11F14EC	11F18EC
3/8"	11F24EC	11F28EC
1/2"	11F34EC	11F38EC

11F Coalescing Filter Dimensions		
A 2.81 (71)	B 2.74 (70)	C 1.46 (37)
C₁ 1.81 (46)	D 5.69 (145)	D[†] 5.74 (146)
E 7.15 (182)	E[†] 7.20 (183)	F 2.25 (57)
G Dia. 4.50 (114)		

Inches (mm)

† With Automatic Float Drain

Standard part numbers shown bold, with Grade 6 Elements (for Grade 10 Elements, replace "E" with "H" in the 6th position). For other models refer to ordering information below.

† For polycarbonate bowl see Caution on page C2.

§ SCFM = Standard cubic feet per minute at 90 psig inlet and 5 psig pressure drop.

Ordering Information



Port Size
1 1/4 Inch
2 3/8 Inch
3 1/2 Inch

Bowl Options	
<u>Polycarbonate Bowl</u>	<u>Metal Bowl</u>
2 Metal Bowl Guard / Twist Drain	3 Twist Drain
6 Metal Bowl Guard / Auto Float Drain	4 Sight Gauge / Twist Drain
	7 Auto Float Drain
	8 Sight Gauge / Auto Float Drain

Elements
E Grade 6
H Grade 10

Engineering Level
C Current

Options
Blank With Differential Pressure Indicator
N Without Differential Pressure Indicator

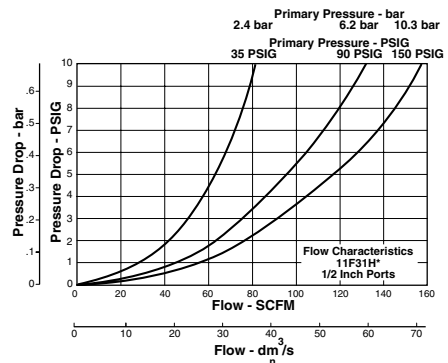
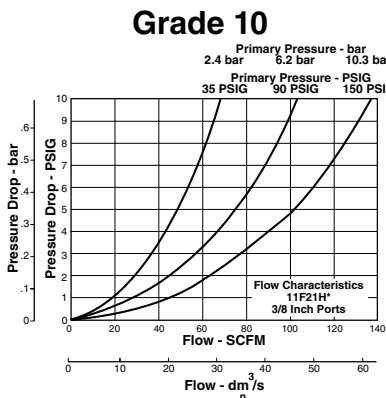
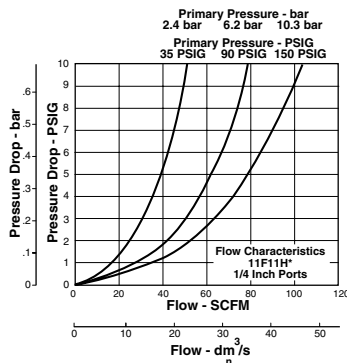
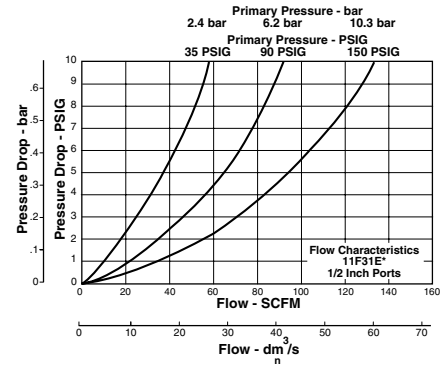
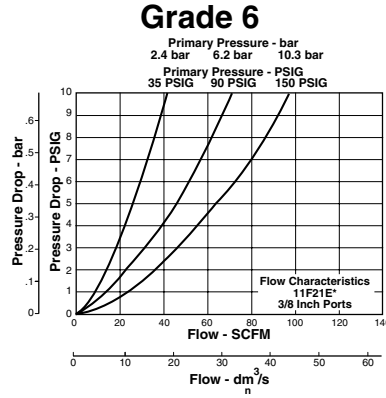
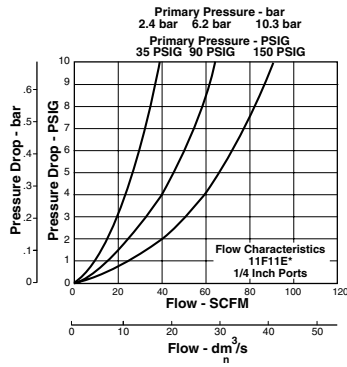
Port Type
Blank NPT
1* BSPP

* 1/4 & 3/8 inch meet ISO 1179-1 Standard.

BOLD ITEMS ARE MOST POPULAR.



Technical Information



11F Coalescing Filter Kits & Accessories

- Bowl Guard Kit** PS705P
 - Bowl Kits –**
 - Poly Bowl – Automatic Float Drain PS722P
 - Twist Drain PS732P
 - Metal Bowl – Automatic Float Drain PS726P
 - Twist Drain PS734P
 - Sight Gauge / Automatic Float Drain PS723P
 - Sight Gauge / Twist Drain PS735P
 - DPI Replacement Kit** PS781P
 - Electronic DPI Replacement Kit** PS764
 - Drain Kits –**
 - Automatic Float Drain PS506P
 - Semi-Auto Drain PS511P
 - Twist Drain PS512P
 - Push 'N' Drain PS513P
 - Electrical Connector - 15mm, 3-Pin DIN, 6 Ft. Cord**PS2932JBP
 - Filter Element Kits –**
 - Grade 6 (Standard) PS724P
 - Grade 10 (Optional) PS730P
 - Mounting Bracket Kit** PS743P
 - Sight Gauge Kit** PS914P
- Specifications**
- Bowl Capacity** 4.4 Ounces
 - Sump Capacity** 1.75 Ounces
 - Operation –**
 - Normal Operating Pressure Drop 2 psig
 - Maximum Recommended Pressure Drop 10 psig (Element should be replaced)
 - Minimum Recommended Flow – 20% Nominal Rating of Element
 - Port Threads** 1/4, 3/8, 1/2 Inch

Pressure & Temperature Ratings –

- Without Differential Pressure Indicator:
 - Polycarbonate Bowl – 0 to 150 psig (0 to 10.3 bar) 32°F to 125°F (0°C to 52°C)
 - Metal Bowl – 0 to 250 psig (0 to 17.2 bar) 32°F to 175°F (0°C to 80°C)
 - With Differential Pressure Indicator – 0 to 150 psig (0 to 10.3 bar) 32°F to 125°F (0°C to 52°C)
 - Automatic Float Drain – 15 to 250 psig (1.0 to 17.2 bar)
- Weight** 1.5 lb (0.7 kg)

Materials of Construction

- Body** Zinc
- Bowls** Transparent Polycarbonate
- Metal (Zinc) With or Without Sight Gauge
- Bowl Guard** Steel
- Collar** Plastic
- Drains –**
 - Twist Drain – Body & Nut Plastic
 - Push 'N' Drain – Body Nitrile
 - Stem Brass
 - Automatic Float Drain – Housing, Float Plastic
 - Seals Nitrile
 - Springs, Push Rod Stainless Steel

Filter Element –

- Borosilicate & felt glass fibers 99.97% DOP efficiency
- Largest Aerosol Particle Passed (Grade 6) 0.01 Micron
- Largest Solid Particle Passed (Grade 6) 0.30 Micron

- Seals** Nitrile
- Sight Gauge** Polyamide

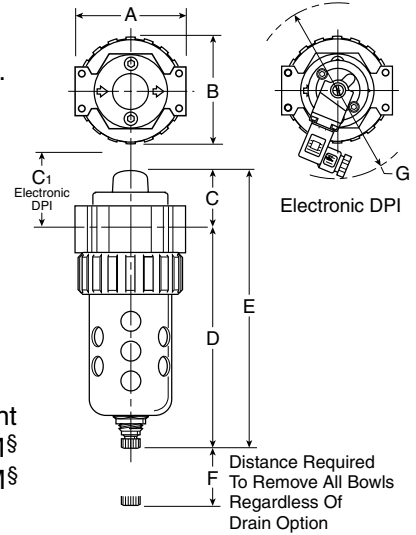


12F Coalescing Filters – Standard



Features

- Removes liquid aerosols and sub-micron particles.
- Liquids gravitate to the bottom of the element and will not re-enter the airstream.
- Oil free air for critical applications, such as air gauging and pneumatic instrumentation and controls.
- Interchangeable twist and automatic float drains.
- Differential pressure indicator standard.
- Shown with recommended metal bowl guard.
- High Flow: Grade 6 Element Grade 10 Element
 1/2" – 75 SCFM§ 1/2" – 125 SCFM§
 3/4" – 80 SCFM§ 3/4" – 160 SCFM§



Product Selection
 Filters
 Coalescers
 Regulators
 Filter / Regulators
 Lubricators
 Combs
 Accessories

Port Size	NPT	
	Twist Drain	Automatic Float Drain
Poly Bowl † / Metal Guard		
1/2"	12F32EC	12F36EC
3/4"	12F42EC	12F46EC
Metal Bowl / Sight Gauge		
1/2"	12F34EC	12F38EC
3/4"	12F44EC	12F48EC

12F Coalescing Filter Dimensions		
A 3.24 (82)	B 3.25 (83)	C 1.63 (41)
C₁ 2.00 (51)	D 6.97 (177)	D[†] 7.00 (178)
E 8.60 (218)	E[†] 8.63 (219)	F 2.75 (70)
G Dia. 4.50 (114)		

Standard part numbers shown bold, with Grade 6 Elements (for Grade 10 Elements, replace "E" with "H" in the 6th position). For other models refer to ordering information below.

† For polycarbonate bowl see Caution on page C2.
 § SCFM = Standard cubic feet per minute at 90 psig inlet and 5 psig pressure drop.

Inches (mm)
 † With Automatic Float Drain

Ordering Information



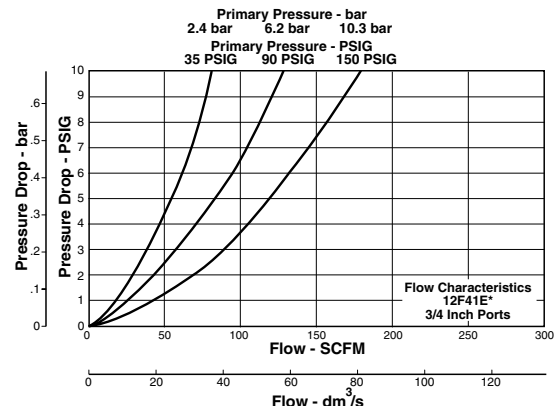
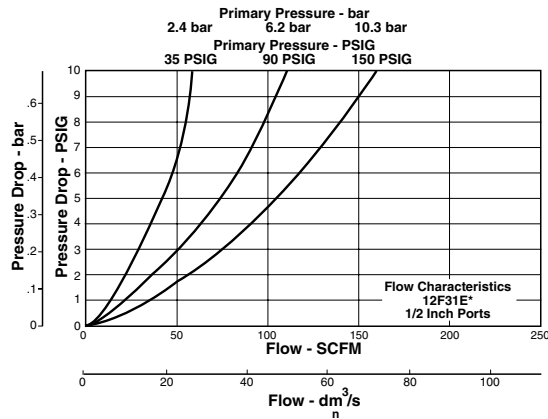
Port Size	Bowl Options	Elements	Engineering Level	Options	Port Type										
3 1/2 Inch 4 3/4 Inch	<table border="0"> <tr> <td>Polycarbonate Bowl</td> <td>Metal Bowl</td> </tr> <tr> <td>2 Metal Bowl Guard / Twist Drain</td> <td>3 Twist Drain</td> </tr> <tr> <td>6 Metal Bowl Guard / Auto Float Drain</td> <td>4 Sight Gauge / Twist Drain</td> </tr> <tr> <td></td> <td>7 Auto Float Drain</td> </tr> <tr> <td></td> <td>8 Sight Gauge / Auto Float Drain</td> </tr> </table>	Polycarbonate Bowl	Metal Bowl	2 Metal Bowl Guard / Twist Drain	3 Twist Drain	6 Metal Bowl Guard / Auto Float Drain	4 Sight Gauge / Twist Drain		7 Auto Float Drain		8 Sight Gauge / Auto Float Drain	E Grade 6 H Grade 10	C Current	Blank With Differential Pressure Indicator N Without Differential Pressure Indicator	Blank NPT 1* BSPP * 1/2 inch meets ISO 1179-1 Standard.
Polycarbonate Bowl	Metal Bowl														
2 Metal Bowl Guard / Twist Drain	3 Twist Drain														
6 Metal Bowl Guard / Auto Float Drain	4 Sight Gauge / Twist Drain														
	7 Auto Float Drain														
	8 Sight Gauge / Auto Float Drain														

BOLD ITEMS ARE MOST POPULAR.

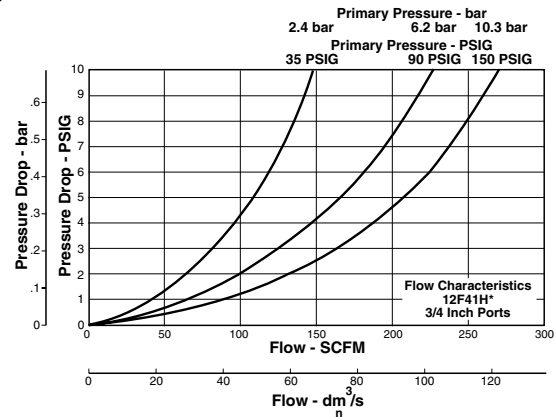
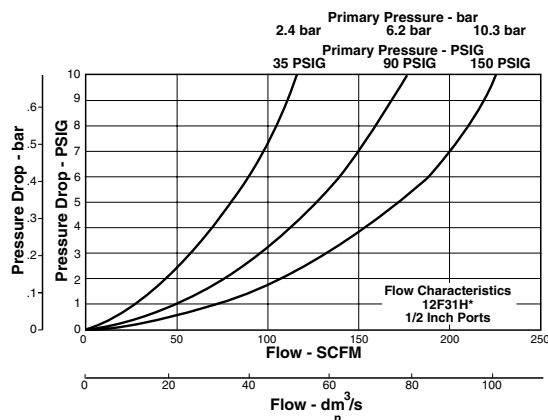


Technical Information

Grade 6



Grade 10



12F Coalescing Filter Kits & Accessories

- Bowl Guard Kit** PS805P
- Bowl Kits –**
- Poly Bowl – Automatic Float Drain PS822P
- Twist Drain PS832P
- Metal Bowl – Automatic Float Drain PS826P
- Twist Drain PS834P
- Sight Gauge / Automatic Float Drain PS823P
- Sight Gauge / Twist Drain PS835P
- DPI Replacement Kit** PS781P
- Electronic DPI Replacement Kit** PS764
- Drain Kits –**
- Automatic Float Drain PS506P
- Semi-Auto Drain PS511P
- Twist Drain PS512P
- Push ‘N’ Drain PS513P
- Electrical Connector - 15mm, 3-Pin DIN, 6 Ft. Cord** PS2932JBP
- Filter Element Kits –** Grade 6 (Standard) PS824P
- Grade 10 (Optional) PS830P
- Mounting Bracket Kit** PS843P
- Sight Gauge Kit** PS914P

Specifications

- Bowl Capacity** 7.2 Ounces
- Sump Capacity** 2.8 Ounces
- Operation –** Normal Operating Pressure Drop 2 psig
- Maximum Recommended Pressure Drop 10 psig (Element should be replaced)
- Minimum Recommended Flow – 20% Nominal Rating of Element
- Port Threads** 1/2 & 3/4 Inch

Pressure & Temperature Ratings –

- Without Differential Pressure Indicator:**
- Polycarbonate Bowl – 0 to 150 psig (0 to 10.3 bar)
- 32°F to 125°F (0°C to 52°C)
- Metal Bowl – 0 to 250 psig (0 to 17.2 bar)
- 32°F to 175°F (0°C to 80°C)
- With Differential Pressure Indicator:** 0 to 150 psig (0 to 10.3 bar)
- 32°F to 125°F (0°C to 52°C)
- Automatic Float Drain – 15 to 250 psig (1.0 to 17.2 bar)

Weight 2.4 lb. (1.1 kg)

Materials of Construction

- Body** Zinc
- Bowls** Transparent Polycarbonate
- Metal (Zinc) With or Without Sight Gauge
- Bowl Guard** Steel
- Collar** Plastic or Metal
- Drains –** Twist Drain – Body & Nut Plastic
- Push ‘N’ Drain – Body Nitrile
- Stem Brass
- Automatic Float Drain – Housing, Float Plastic
- Seals Nitrile
- Springs, Push Rod Stainless Steel

Filter Element –

- Borosilicate & felt glass fibers 99.97% DOP efficiency
- Largest Aerosol Particle Passed (Grade 6) 0.01 Micron
- Largest Solid Particle Passed (Grade 6) 0.30 Micron

Seals Nitrile

Sight Gauge Polyamide



C

Product Selection

Filters

Coalescers

Regulators

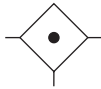
Filter / Regulators

Lubricators

Compos

Accessories

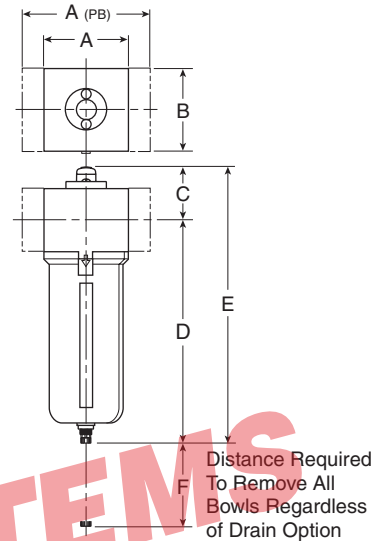
P3NF Coalescing Filters – Hi-Flow



Features

- Port blocks (PB) available to provide 1-1/2" port extension to 1" ported bodies.
- Metal bowl with sight gauge.
- Large filter element surface guarantees low pressure drop and increased element life.
- Twist Drain as standard, optional automatic float drain.
- High Flow: Grade 6 Element
 - 3/4" – 130 SCFM[§]
 - 1" – 140 SCFM[§]
 - 1-1/2"[†] – 150 SCFM[§]

Grade 10 Element
 3/4" – 195 SCFM[§]
 1" – 215 SCFM[§]
 1-1/2"[†] – 225 SCFM[§]



Port Size	NPT	
	Twist Drain	Automatic Float Drain
Metal Bowl / Sight Gauge		
3/4"	P3NFA96DSM	P3NFA96DSA
1"	P3NFA98DSM	P3NFA98DSA
1-1/2" [†]	P3NFA9PDSM	P3NFA9PDSA

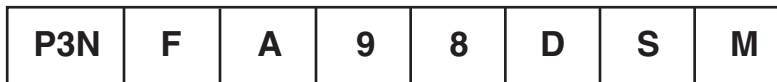
P3NF Coalescing Filter Dimensions		
A	A (PB)	B
3.62 (92)	5.91 (150)	3.62 (92)
C	D †	E †
2.30 (58.5)	9.57 (243)	11.90 (302)
F		
4.92 (125)		

Standard part numbers shown **bold** for Grade 6 Elements (for Grade 10 Elements, replace "D" with "Q" in the 8th position). For other models refer to ordering information below.

[†] 1" Port Body with 1-1/2" Port Block.
[§] SCFM = Standard cubic feet per minute at 90 psig inlet and 5 psig pressure drop.

Inches (mm)
[†] With Twist Drain or Automatic Float Drain

Ordering Information



Engineering Level
A Current

Port Type
1* G Thread (BSPP) Female
2 Rc Thread (BSPT) Female
9 NPT Female

* 3/4 & 1 inch meet ISO 1179-1 Standard.

Port Size
6 3/4" (w/o Port Blocks)
8 1" (w/o Port Blocks)
P 1-1/2" Port Blocks (w/ 1" Ported Body)

Element
w/ DPI Indicator
D Grade 6
Q Grade 10

Bowl
S Metal Bowl w/ Sight Gauge

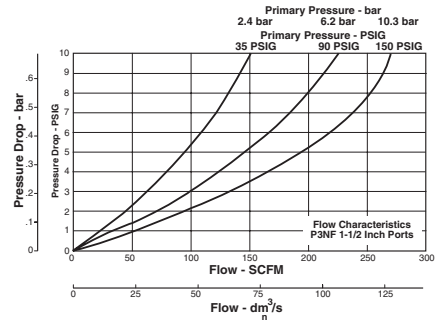
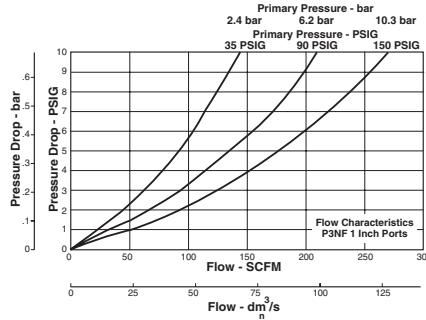
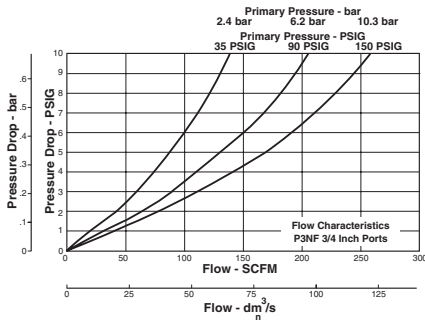
Drain
M Twist Drain
A Automatic Float Drain

Note: BSPP ported units supplied using NPT ported bodies and BSPP port block kits.

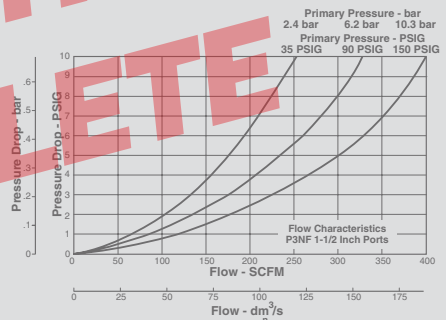
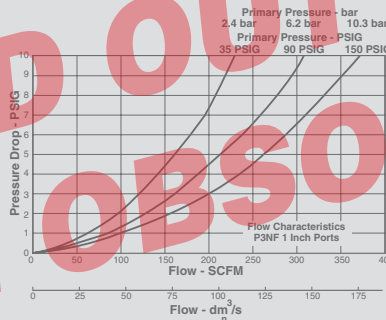
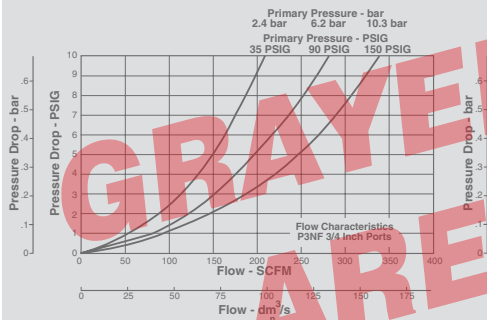
BOLD ITEMS ARE MOST POPULAR.

Technical Information

Grade 6



Grade 10



GRAYED OUT ITEMS
 ARE OBSOLETE

P3NF Coalescing Filter Kits & Accessories

Bowl Kits –

Metal Bowl –

- Sight Gauge / Automatic Float Drain P3NKA00BSA
- Sight Gauge / Twist Drain P3NKA00BSM
- Sight Gauge / Push 'N' Drain P3NKA00BSP

Bowl Latch Kit C11A33

DPI Replacement Kit PS781P

Drain Kit –

- Automatic Float Drain PS506P
- Semi-Auto Drain PS511P
- Twist Drain PS512P
- Push 'N' Drain PS513P

Filter Elements – Grade 6 (Standard) P3NKA00ESCB
 Grade 10 (Optional) P3NKA00ES9

Sight Gauge Kit P3NKA00PE

Mounting Bracket Kit* P3NKA00MW

* If 1-1/2 BSPP E02 fittings are required, use P3NKA00BMW.

Specifications

Bowl Capacity 18.0 Ounces

Sump Capacity 6.8 Ounces

Filter Element –

- Borosilicate & felt glass fibers 99.97% DOP efficiency
- Largest Aerosol Particle Passed (Grade 6) 0.01 Micron
- Largest Solid Particle Passed (Grade 6) 0.30 Micron

Pressure & Temperature Rating – 0 to 250 psig (0 to 17.2 bar)
 32°F to 175°F (0°C to 80°C)

Automatic Float Drain – 15 to 250 psig (1.0 to 17.2 bar)

Materials of Construction

Body & Bowl Aluminum

Deflector Plastic

Drain Plastic

Seals Nitrile

Sight Gauge Polyamide (Nylon)

Weight – 3/4" 3.5 lb. (1.6 kg)

1" 3.5 lb. (1.6 kg)

1-1/2" † 4.6 lb. (2.1 kg)

† 1" Port Body with 1-1/2" Port Block.



Product Selection

Filters

Coalescers

Regulators

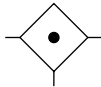
Filter / Regulators

Lubricators

Compos

Accessories

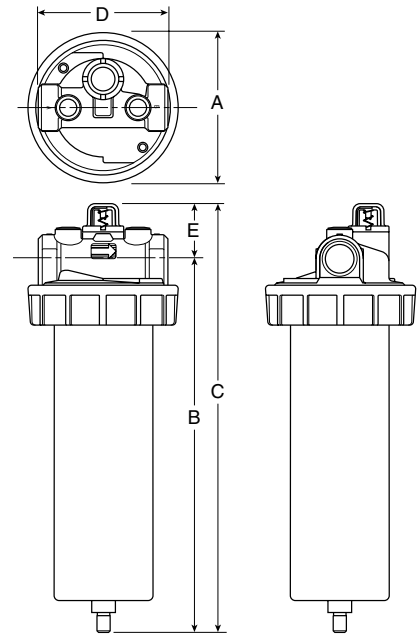
F701 Coalescing Filters



Features

- Removes liquid aerosols and sub-micron particles.
- Protects pneumatic systems from contamination that standard particulate filters will not catch.
- Two different grade elements available.
- Differential pressure indicator (pop-up) standard.
- Differential pressure gauge optional.
- High flow design.

Note: All coalescing filters should be protected by a particulate filter (i.e., F602, or other) installed upstream.



Port Size	Grade 6		Grade 10	
	Flow (SCFM)*	Part Number	Flow (SCFM)*	Part Number
Metal Bowl 32 oz.				
3/4"	95	F701-06E3P	158	F701-06E7P
1"	95	F701-08E3P	158	F701-08E7P
Metal Bowl 100 oz.				
3/4"	170	F701-06L3P	285	F701-06L7P
1"	170	F701-08L3P	285	F701-08L7P

Port Size	Bowl Capacity	A	B	C	D	E
3/4 & 1 Inch (E)	32 oz.	4.95 (126)	11.77 (299)	13 (330)	4.00 (101)	1.23 (31)
3/4 & 1 Inch (L)	100 oz.	4.95 (126)	21.39 (543)	22.63 (575)	4.00 (101)	1.23 (31)

"G" Differential Pressure Gauge add 2.00 (50.8) to C & E.
 "Q" External Auto Drain add 1.70 (43.1) to B & C.

inches (mm)

* Dry media flow. For wet media info see table on next page.

Ordering Information



Port Threads — NPT G BSPP	Port Size 06 3/4 Inch 08 1 Inch	Bowl E Metal without Sight Gauge 32 oz. L Metal without Sight Gauge 100 oz.	Element 3 Grade 6 7 Grade 10	Element Service Indicator Blank None P Pop-up Style G Differential Pressure Gauge	Bowl Drains Blank Manual Twist Drain T High Pressure Internal Auto Drain Q* External Auto Drain R Low Pressure Internal Auto Drain	Engineering Level * Will be Entered at Factory **Q* Option Not Available with Bowl Option "L".
--	--	--	---	---	---	---

BOLD ITEMS ARE MOST POPULAR.

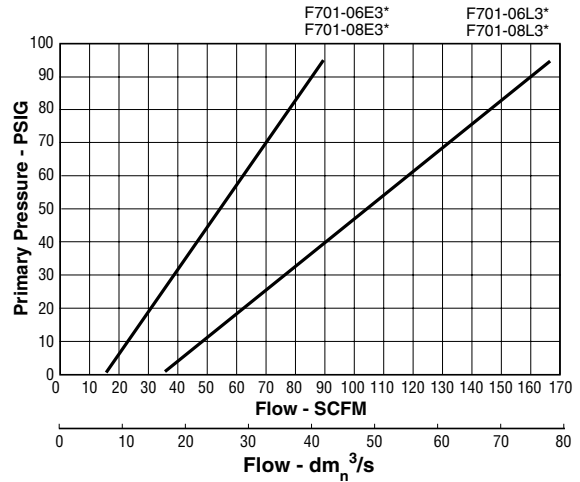


Technical Information

Media Specifications

Grade	D.O.P. Coalescing Efficiency 0.3 to 0.6 Micron Particles	Maximum Oil Carryover ¹ PPM w/w	Pressure Drop (PSID) ² @ Rated Flow	
			Media Dry	Media Wet With 10-20 wt. oil
6	99.97%	0.008	1.0	2-3
10	95%	0.85	0.5	0.5

¹ Tested per BCAS 860900 at 40 ppm inlet.
² Add dry + wet for total pressure drop.
 D.O.P. = Dioctylphthalate



F701 Filter Kits & Accessories

Mounting Bracket –

Port Size

- 3/4 (Pair of Pipe Mounted Brackets)..... SA200AW57
- 1 (Pair of Pipe Mounted Brackets)..... SA200CW57

Bowl Kit –

Port Size

- 3/4, 1 Inch (E) 32 oz.....BK603B
- 3/4, 1 Inch (L) 100 oz..... BK603C

Differential Pressure Pop Up Indicator Repair Kit RK701P
 (only works with originally equipped units)

Differential Pressure Gauge DP276-P
 (only works on units without pop-up indicator)

Drain Kits –

- Internal Automatic Drain - High Pressure (T) SA702MD
- Manual Twist Drain SA600Y7-1

Filter Element Kits –

Port Size / Grade 6

- 3/4, 1 Inch (E) 32 oz.....F701-C3-0773
- 3/4, 1 Inch (L) 100 oz.....F701-C3-0774

Port Size / Grade 10

- 3/4, 1 Inch (E) 32 oz.....F701-C7-0773
- 3/4, 1 Inch (L) 100 oz.....F701-C7-0774

Specifications

Operation –

- Maximum Recommended Pressure Drop 10 psig
 (element should be replaced)
- Normal Operating Pressure Drop (Dry)..... 2 psig
- Normal Operating Pressure Drop (Wet) 5 psig

() = Bowl Type

Minimum Recommended Flow – 20% of Rated Flow

Maximum Pressure (Manual Drains) – 0 to 300 psig (0-20 bar)

Maximum Pressure (Auto Drains) –

- “R” Drain (Low Pressure Internal)..... 175 psig (12 bar)
- “T” Drain (High Pressure Internal) 250 psig (17 bar)
- “Q” Drain (External) 250 psig (17 bar)

Maximum Temperature 32°F to 150°F (0°C to 65°C)
 Maximum temperature with “T”, “R”, or “Q” Drains 125°F (52°C)

Weight –

- 3/4 & 1 Inch (E) 32 oz......5 lb. (2.3 kg)
- 3/4 & 1 Inch (L) 100 oz......8 lb. (3.6 kg)

Materials of Construction

Body & Flange RingZinc

Bowl –

Metal Bowl (E) (L)..... Aluminum

Drains –

- Auto Float Drain –
- Housing “R”, “T” (Internal)..... Acetal
- Housing “Q” (External)..... Bronze
- Manual Twist Drain Brass

Seals & Float Buna N

Springs Stainless Steel

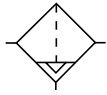
Elements (Media) Borosilicate Fibers & Felt

Element End CapsUrethane

Seals Buna N



35F, 43F Coalescing Filters – Hi-Flow



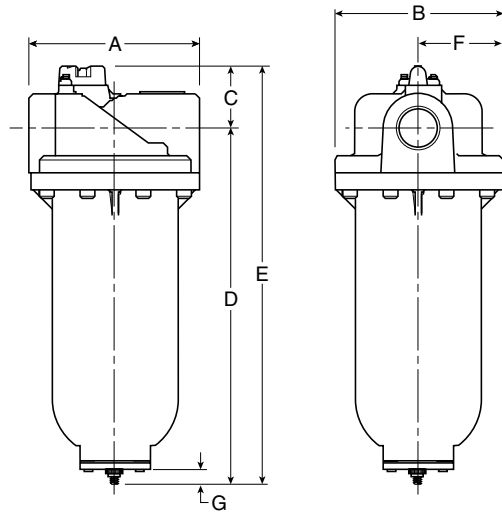
Auto Drain



Features

- Heavy-duty cast aluminum housings to withstand operating pressures up to 250 PSIG*
- Differential pressure indicator to eliminate the guesswork of element replacement
- Differential pressure gauge available, order separately, Kit DP3-01-000
- Unique drain mounting plate design offers a trouble-free method for interchanging and installing external drains
- High-flow Filter Elements: Coalescing, 1 Micron and 0.01 Micron
- High Flow: 1-1/2" – 710 SCFM[§]
2" – 710 SCFM[§]
3" – 1770 SCFM[§]

* Without Differential Pressure Indicator – Max. supply pressure is 250 PSIG (20.7 bar).



	Port size	Element type	Part number (NPT)
			Automatic drain
35F	1-1/2	0.01 micron	35F77EAP
	1-1/2	1.0 micron	35F77HAP
	2	0.01 micron	35F87EAP
	2	1.0 micron	35F87HAP
43F	3	0.01 micron	43FN7EAP
	3	1.0 micron	43FN7HAP

35F Coalescing Filter Dimensions						
A	B	C	D	E	F	G
7.80 (198)	7.76 (197)	2.83 (72)	16.24 (412.5)	19.07 (484)	3.88 (98.6)	.55 (14)
43F Coalescing Filter Dimensions						
A	B	C	D	E	F	G
8.94 (227)	8.88 (225.5)	3.48 (88)	25.96 (659.4)	29.44 (748)	4.44 (112.8)	.55 (14)

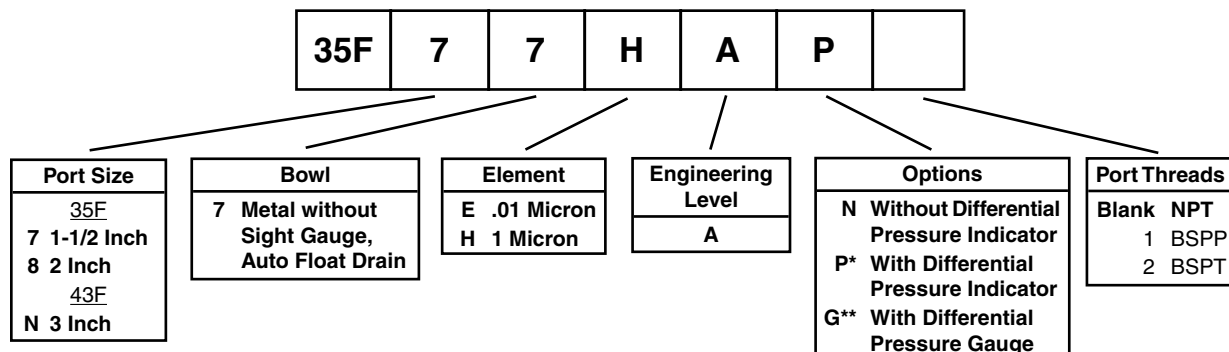
inches (mm)

Standard part numbers shown bold.

For other models refer to ordering information below.

§ SCFM = Standard cubic feet per minute at 90 psig inlet and 5 psig pressure drop.

Ordering Information



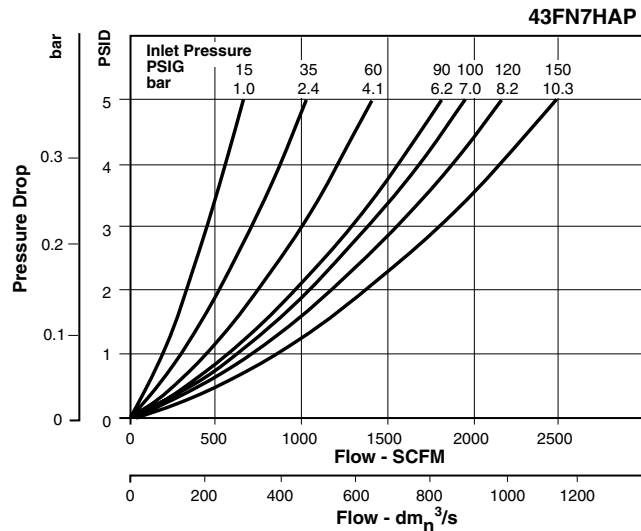
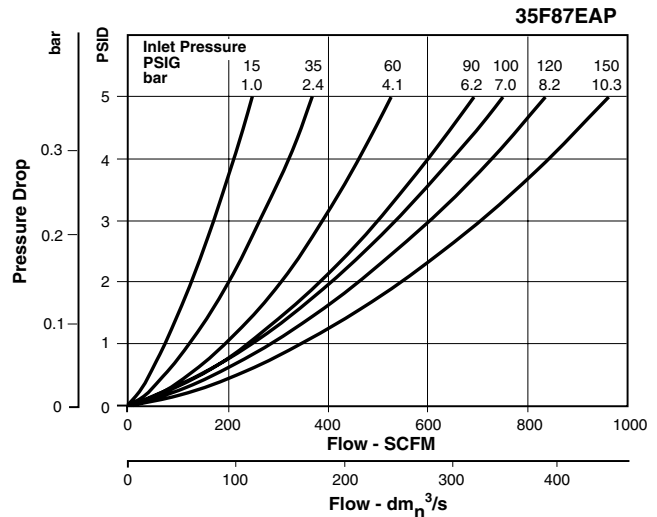
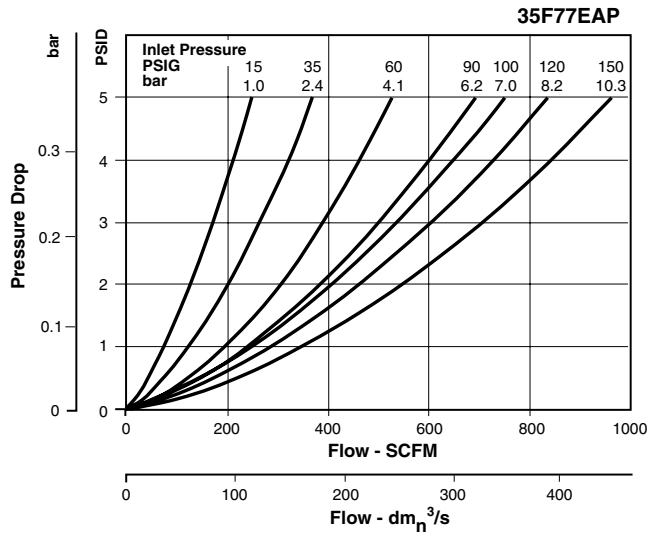
BOLD ITEMS ARE MOST POPULAR.

* Max. pressure rating 150 PSIG.

** Gauge ships loose.



Technical Information



35F & 43F Coalescing Filter Kits & Accessories

- Differential Pressure Indicator Cap –
 For pressures over 150 PSIG GRP-95-022
- Differential Pressure Gauge..... DP3-01-000
- Differential Pressure Indicator..... DP2-02-001
- Drain, Automatic, Internal, Fluorocarbon,
 1/8 NPT..... GRP-95-981
- Drain Plate Kit –
 1/2 NPT Tapped Drain Port..... GRP-95-393
- Element
 - 35F: 0.01 Micron..... MTP-95-502
 - 35F: 1.0 Micron..... MSP-95-502
 - 35F: Adsorber..... MXP-95-502
 - 43F: 0.01 Micron..... MTP-95-562
 - 43F: 1.0 Micron..... MSP-95-876
 - 43F: Adsorber..... MXP-95-565
- Manual Drain Kit
 with 1/2" Drain Plate GRP-95-392

Specifications

- Maximum Supply Pressure** without DPI and with Pressure Gauge..... 250 PSIG (17.2 bar)*
 with DPI..... 150 PSIG (10.3 bar)
- Operating Temperature** 32° to 150°F (0° to 65.5°C)
- Port Size –**
 - 35F 1-1/2, 2 Inch
 - 43F 3 Inch
- Standard Filtration* –** Micron 1.0, 0.01
 Adsorber Activated carbon
- Weight –**
 - 35F 19.3 lb. (8.7 kg)
 - 43F 32.8 lb. (14.9 kg)

* Filtration temperature of 70°F (21°C) @100 PSIG (6.9 bar) with typical compressor lubricating oil and protected by 0.01 micron filter.

Materials of Construction

- Body** Aluminum
- Bowls** Aluminum
- Filter Element –**
 - 0.01 & 1.0 Micron Borosilicate Cloth
 - Adsorber Activated Carbon
- Seals** Fluorocarbon
- Stud** Plated Steel

C
Product Selection
Filters
Coalescers
Regulators
Filter / Regulators
Lubricators
Combos
Accessories



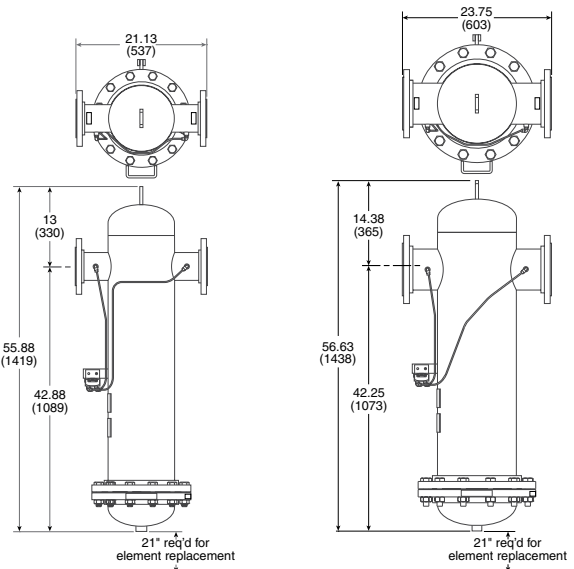
P3TF Series Flanged Filters



P3TF Series

Features

- No tie rod element design
- Pleated element technology
- New high efficiency drainage layer
- Designed in accordance with ASME and CRN
- Connection sizes: 4 inch & 6 inch flange
- Acrylic polyurethane coating for corrosion protection



P3TFAFFD2AN & P3TFAFFQ2AN

P3TFAFGD3AN & P3TFAFGQ3AN

Flanged Filters

Port size	Flow SCFM	Element type	Number of elements	Part number
4" Flange	2755	0.01 micron	4	P3TFAFFD2AN
4" Flange	2755	1.0 micron	4	P3TFAFFQ2AN
6" Flange	4132	0.01 micron	6	P3TFAFGD3AN
6" Flange	4132	1.0 micron	6	P3TFAFGQ3AN

Operating Information

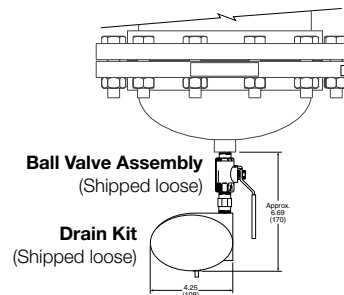
	P3TF Series
Operating Pressure:	232 PSIG (16 bar)
Operating Temperature:	35°F to 212°F (1.5°C to 100°C)

Service Kits

Description	Number Required	P3TF Series
Dp Gauge Replacement Kit		DPG-Kit
Drain Kit - 1/2" NPT		HDF-120-NPT-A
Filter Element Kit	0.01 Micron	4 or 6 PSY1035002
	1.0 Micron	4 or 6 PSY1035001

Materials of Construction

Body	Steel
Baffle	Plated Steel
Deflector	Plated Steel
Filter Element	0.01 & 1.0 Micron..... Borosilicate Cloth
Seals	Fluorocarbon
Stud	Plated Steel



Inlet Air Pressure Correction

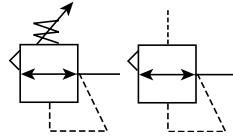
PSI	15	29	44	58	73	87	100	116	131	145	160	174	189	203	218	232	247	261	275	290
bar	1	2	3	4	5	6	7	8	9	10	11	12	13	14	15	16	17	18	19	20
Factor	0.38	0.53	0.65	0.76	0.85	0.93	1.00	1.07	1.13	1.19	1.25	1.31	1.36	1.41	1.46	1.51	1.56	1.60	1.65	1.70

For pressures above 232 PSIG (16 bar), use manual drain.


Product Selection
Filters
Coalescers
Regulators
Filter / Regulators
Lubricators
Combos
Accessories

Regulators

- Pipe Sizes 1/8 thru 2 Inch
- Flows to 1000 SCFM
- Pressures to 250 psig



Air regulators are designed to provide quick response and accurate pressure regulation for the most demanding industrial applications.

- Miniature 14R Series, 1/8 and 1/4 Inch
- Miniature P3A-R Series, 1/8 and 1/4 Inch
- Miniature R34 Series, 1/8 and 1/4 Inch
- Miniature R25 Series, 1/4 and 3/8 Inch
- Miniature R45 Series, 1/4 and 3/8 Inch
- Economy 15R Series, 1/4 and 3/8 Inch
- Economy 05R Series, 1/4 and 3/8 Inch
- Compact 06R Series, 1/4, 3/8 and 1/2 Inch
- Standard 07R Series, 3/8, 1/2 and 3/4 Inch
- Hi-Flow P3NR Series, 3/4, 1 and 1-1/2 Inch
- Standard R119 Series, 1/4, 3/8 and 1/2 Inch
- Hi-Flow R119 Series, 3/4 thru 2 Inch
- Hi-Flow 09R Series, 2 Inch
- Pilot Operated 10R, 11R, 12R, P3NR Series, 1/4 thru 1-1/2 Inch; R119 Series 1/4 thru 2-1/2 Inch

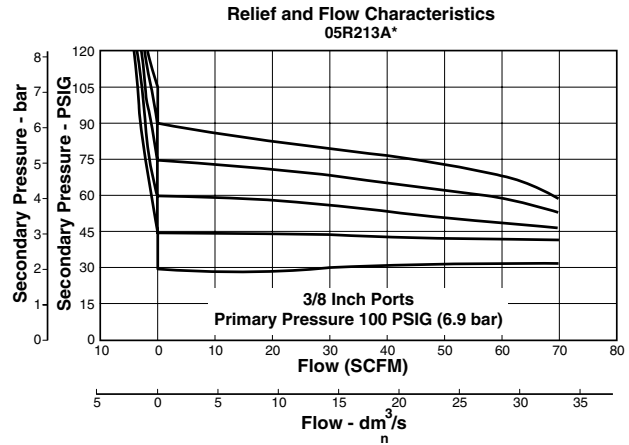
Miniature Regulators for Water Service

- Miniature R24 Series, 1/4 and 3/8 Inch
- Miniature R46 Series, 1/4 and 3/8 Inch
- Miniature 20R Series, 1/8 and 1/4 Inch

Regulator Selection

1. Determine maximum system flow requirements.
2. Determine maximum allowable pressure drop at rated flow in SCFM.
3. Refer to flow chart and select regulator by choosing the curve that offers minimum pressure drop at desired flow in SCFM.

Reading Flow Charts to Size Regulators



Once the required flow is determined for a pneumatic application the regulator or filter/regulator can be selected by using the flow chart. The chart serves two different purposes. To read the flow, use the right side of the chart. To read the relief characteristics use the left side of the chart. When reading the flow chart, first determine the secondary pressure that will be used. Find the appropriate pressure curve on the graph. Given an acceptable pressure drop for an application, follow the flow curve until it intersects the pressure drop point. This will give the flow at that particular pressure drop.

⚠ WARNING

**Product rupture can cause serious injury.
Do not connect regulator to bottled gas.
Do not exceed maximum primary pressure rating.**

CAUTION:

REGULATOR PRESSURE ADJUSTMENT – The working range of knob adjustment is designed to permit outlet pressures within their full range. Pressure adjustment beyond this range is also possible because the knob is not a limiting device. This is a common characteristic of most industrial regulators, and limiting devices may be obtained only by special design.

For best performance, regulated pressure should always be set by increasing the pressure up to the desired setting.

- C
- Product Selection
- Filters
- Coalescers
- Regulators
- Filter / Regulators
- Lubricators
- Combos
- Accessories

General Purpose Regulators

Used to provide a convenient and low cost method to reduce a supplied air pressure to a desired outlet pressure and transform a fluctuating air supply to a relatively constant reduced air pressure within the operating range of the regulator.

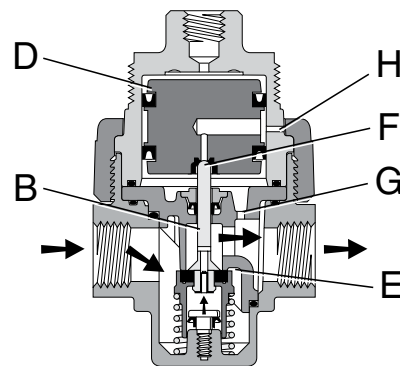
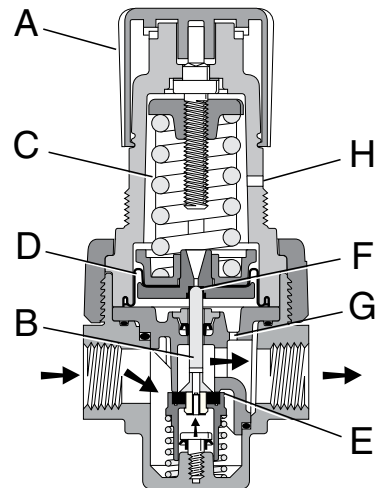
This type of regulator is generally used in a wide variety of applications where reduced pressure is highly desirable for energy conservation, safety requirements, air circuit control and air instrumentation.

Operation

With the adjusting knob (A) turned fully counterclockwise (no spring load), and pressure supplied to the regulator inlet port, the valve poppet assembly (B) is closed. Turning the adjusting knob clockwise applies a load to control spring (C). This load causes the piston / diaphragm (D) and the valve poppet assembly (B) to move downward allowing flow across the seat area (E) created between the poppet assembly and the seat. Pressure in the downstream line is sensed below the piston / diaphragm (D) and offsets the load of spring (C). As downstream pressure rises, poppet assembly (B) and control piston (D) move upward until the area (E) is closed and the load of the spring (C) and pressure under piston / diaphragm (D) are in balance. A reduced outlet pressure has now been obtained, depending on spring load. Creating a demand downstream, such as opening a valve, results in a reduced pressure under the piston / diaphragm (D). The load of control spring (C) now causes the poppet assembly to move downward opening seat area (E) allowing air to flow to meet the downstream demand. The flow of downstream air is metered by the amount of opening (E).

During low flow requirements, the amount of opening at the seat (E) is small, while at high flows it is large. The downstream pressure signal, which regulates the amount of opening, requires an adjustment over this range, in order to attempt a constant output. This adjustment is the orifice (G), which is sized and located in such a manner as to provide a compensation to the downstream pressure signal transmitted to the piston. This effect is called aspiration and its effect is to maintain downstream pressure nearly constant over a wide range of flow demands.

Should downstream pressure exceed the desired regulated pressure, the excess pressure will cause the piston / diaphragm (D) to move upward against control spring (C), open vent hole (F), and vent the excess pressure to atmosphere through the hole in the bonnet (H). (This occurs in the relieving type regulator only.)



C

Product
Selector

Filters

Coalescers

Regulators

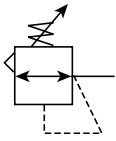
Filter /
Regulators

Lubricators

Combs

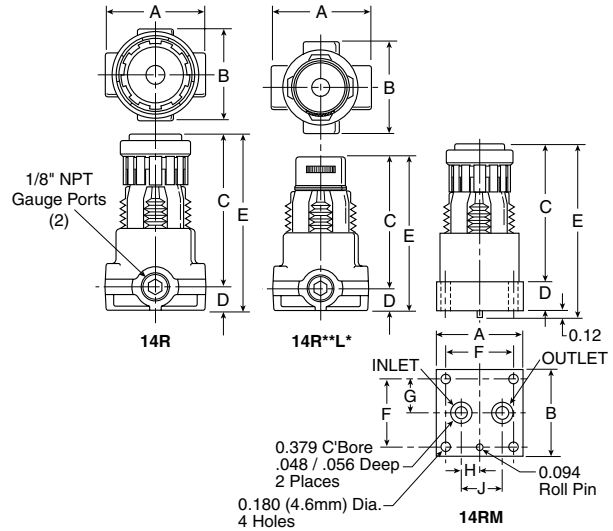
Accessories

14R Regulators – Miniature



Features

- Unbalanced poppet standard.
- Solid control piston with lip seal for extended life.
- Non-rising adjusting knob.
- Compact, 2.88 inch (73,2mm) high by 1.65 inch (42mm) wide.
- Easily serviced.
- High Flow: 1/8" – 13 SCFM[§]
 1/4" – 15 SCFM[§]



Port Size	NPT
Without Gauge	
1/8"	14R013FC
1/4"	14R113FC
With Gauge	
1/8"	14R018FC
1/4"	14R118FC

14R Regulator Dimensions					
	A	B	C	D	E
14R	1.65 (42)	1.56 (40)	2.50 (63.5)	0.38 (10)	2.88 (73)
14R**L*	1.65 (42)	1.56 (40)	2.28 (57.9)	0.38 (10)	2.68 (68)
14RM	A	B	C	D	E
	1.50 (38)	1.50 (38)	2.36 (60)	0.50 (13)	2.98 (73)
	F	G	H	J	
	1.188 (30)	0.594 (15)	0.325 (8)	0.725 (18)	

Standard part numbers shown bold. For other models refer to ordering information below.

NOTE: 1.218 Dia. (31mm) hole required for panel mounting.

§ SCFM = Standard cubic feet per minute at 100 psig inlet, 90 psig no flow secondary setting and 10 psig pressure drop.

Inches (mm)

Ordering Information



Port Size	Pressure Range	Relief	Port Type	Options	Preset / Pressure Limited
0 1/8 Inch Pipe, 1/8 Inch Gauge Port	Without Gauge Yellow Knob Black Knob	F Relieving G Non-Relieving H Low Temp. Relieving J Low Temp. Non-Relieving	Blank NPT 1 BSPP 2 BSPT	Blank No Options L [†] Preset Non-Adjustable P [†] Preset Adjustable S [†] Pressure Limiter Max. Adjustable T [†] Pressure Limiter Max. Non-Adjustable	Blank None XXX* Preset Pressure XXX* Pressure Limited
1 1/4 Inch Pipe, 1/8 Inch Gauge Port	10 30 psig B0 30 psig 11 60 psig B1 60 psig 12 15 psig B2 15 psig 13 125 psig B3 125 psig				
B 1/4 Inch Pipe, 1/4 Inch Gauge Port	With Gauge*				
C 1/8 Inch Pipe, No Gauge Port	15 30 psig B5 30 psig 16 60 psig B6 60 psig 17 15 psig B7 15 psig 18 125 psig B8 125 psig				
M Manifold Mounting					

* Not available with BSPP or BSPT port types.

† Inlet Pressure is 100 psig. For other pressures, contact factory.

* Available Preset / Pressure Limited Range, 10 to 90 psig in 5 psig increments. For higher pressures, contact factory.

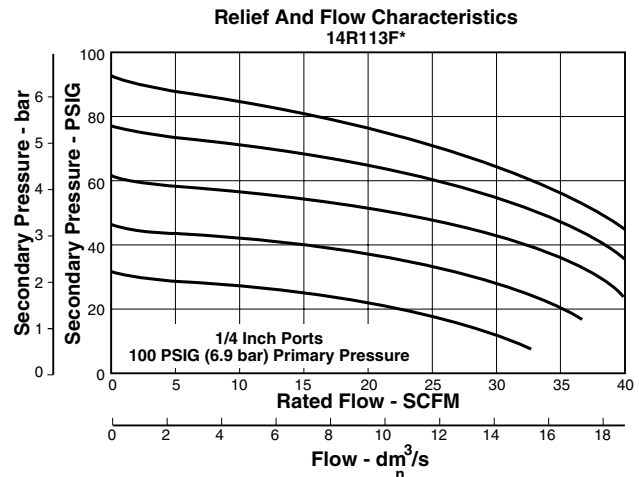
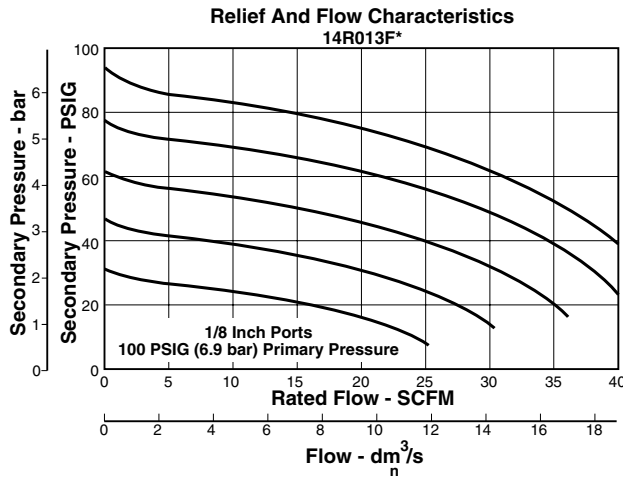
(Example: 065 = 65 psig)

Spring Type by Preset / Limited Pressure:

- For Preset / Limited Pressure 10 to 25 use 30 PSI Spring
- For Preset / Limited Pressure 26 to 50 use 60 PSI Spring
- For Preset / Limited Pressure 51 to 90 use 125 PSI Spring

BOLD ITEMS ARE MOST POPULAR.

Technical Information



CAUTION:

REGULATOR PRESSURE ADJUSTMENT – The working range of knob adjustment is designed to permit outlet pressures within their full range. Pressure adjustment beyond this range is also possible because the knob is not a limiting device. This is a common characteristic of most industrial regulators, and limiting devices may be obtained only by special design.

For best performance, regulated pressure should always be set by increasing the pressure up to the desired setting.

⚠ WARNING

**Product rupture can cause serious injury.
Do not connect regulator to bottled gas.
Do not exceed maximum primary pressure rating.**

14R Regulator Kits & Accessories

- Bonnet Assembly Kit L01369
- Bonnet Tamperproof Kit..... P01265
- Gauges – 30 psig, 1/8" NPT (0 to 2.1 bar)..... K4515N18030
- 60 psig, 1/8" NPT (0 to 4.1 bar)..... K4515N18060
- 160 psig, 1/8" NPT (0 to 11.0 bar)..... K4515N18160
- 60 psig, 1/4" NPT (0 to 4.1 bar)..... K4520N14060
- 160 psig, 1/4" NPT (0 to 11.0 bar)..... K4520N14160
- Mounting Bracket Kit* (Includes Panel Mount Nut)..... PS417BP
- Panel Mount Nuts* – Plastic P78652
- Metal P01531
- Poppet / Piston Kits – Unbalanced, Non-Relieving..... PS428P
- Unbalanced, Relieving..... PS426P
- Springs – 1-15 psig Range (Yellow)..... P01176
- 1-30 psig Range (Black)..... P01175
- 1-60 psig Range (White)..... P01174
- 2-125 psig Range (Gold)..... P01173

*Tighten panel mount nut 2.8 to 3.4 Nm (25 to 30 in-lbs) of torque.

Specifications

- Gauge Ports (2) 1/8 or 1/4 Inch
(Can be used for Full Flow)
- Port Threads 1/8, 1/4 Inch
- Pressure & Temperature Ratings – 0 to 300 psig (0 to 20.7 bar)
32°F to 125°F (0°C to 52°C)
- Low Temperature -4°F to 125°F (-20°C to 52°C)
- Secondary Pressure Ranges –
- Standard Pressure 2 to 125 psig (0 to 8.6 bar)
- Medium Pressure 1 to 60 psig (0 to 4.1 bar)
- Medium Pressure 1 to 30 psig (0 to 2.1 bar)
- Low Pressure 1 to 15 psig (0 to 1 bar)
- Weight – 14R, 14RM, 14**L* 0.3 lb. (0.14 kg)

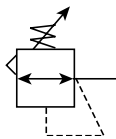
Materials of Construction

- Adjusting Nut..... Brass
- Adjusting Stem & Spring Steel
- Body Zinc
- Bonnet, Seat, Piston & Valve Poppet Plastic
- Seals Nitrile



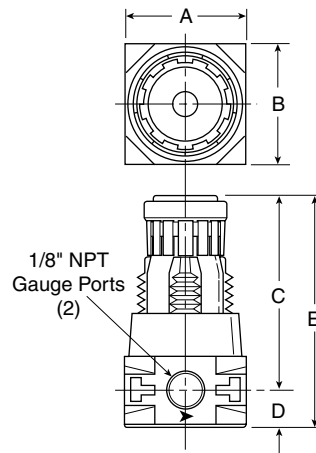
C	Product Selection
Filters	Coalescers
Regulators	Regulators
Filter / Regulators	Lubricators
Lubricators	Compos
Compos	Accessories

P3A-R Regulators – Miniature



Features

- Lightweight plastic body.
- Non-rising adjusting knob.
- Solid control piston with lip seal for extended life.
- Unbalanced poppet standard.
- Two full flow 1/8" gauge ports.
- Reverse flow capability.
- High Flow: 1/8" – 13 SCFM[§]
 1/4" – 15 SCFM[§]



Port Size	NPT
Without Gauge	
1/8"	P3A-RN91YNN
1/4"	P3A-RN92YNN
With Gauge	
1/8"	P3A-RN91YGN
1/4"	P3A-RN92YGN

P3A-R Regulator Dimensions		
A	B	C
1.57 (40)	1.57 (40)	2.46 (63)
D	E	
0.46 (12)	2.92 (74)	

Inches (mm)

Standard part numbers shown bold. For other models refer to ordering information below.

NOTE: 1.218 Dia. (31mm) hole required for panel mounting.

§ SCFM = Standard cubic feet per minute at 100 psig inlet, 90 psig no flow secondary setting and 10 psig pressure drop.

Ordering Information



Port Type
9 NPT Female

Port Size
1 1/8 Inch
2 1/4 Inch

Relief
Q Non-Relieving
Y Relieving

Pressure / Gauge
<i>Without Gauge</i>
A 15 psig (0 to 1 bar)
L 60 psig (0 to 4 bar)
N 120 psig (0 to 8 bar)
Y 30 psig (0 to 2 bar)
<i>With Gauge</i>
B 15 psig (0 to 1 bar)
G 120 psig (0 to 8 bar)
M 60 psig (0 to 4 bar)
Z 30 psig (0 to 2 bar)

Options
L* Preset Non-Adjustable
N No Options
P* Preset Adjustable
S* Pressure Limiter Adjustable
T* Pressure Limiter Non-Adjustable

Options
N None

Preset / Pressure Limited
Blank None
XXX* Preset Pressure
XXX* Pressure Limited

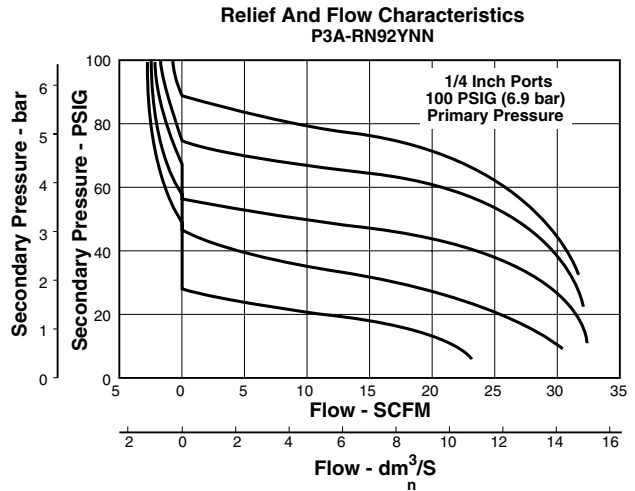
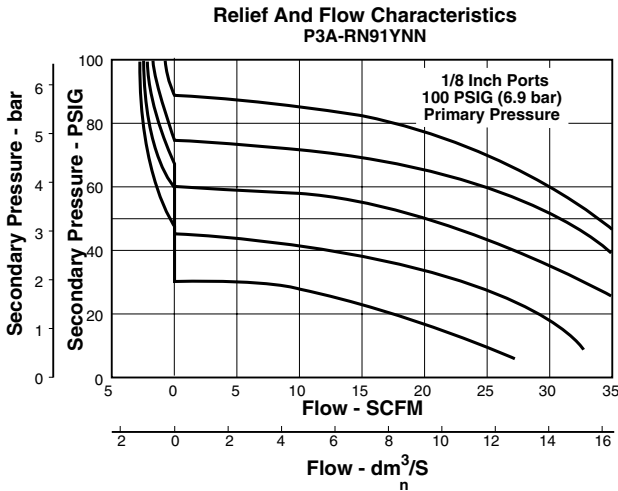
* Inlet Pressure is 100 psig. For other pressures, contact factory.

* Available Preset / Pressure Limited Range, 10 to 90 psig in 5 psig increments. For higher pressures, contact factory. (Example: 065 = 65 psig)

BOLD ITEMS ARE MOST POPULAR.



Technical Information



CAUTION:

REGULATOR PRESSURE ADJUSTMENT – The working range of knob adjustment is designed to permit outlet pressures within their full range. Pressure adjustment beyond this range is also possible because the knob is not a limiting device. This is a common characteristic of most industrial regulators, and limiting devices may be obtained only by special design.

For best performance, regulated pressure should always be set by increasing the pressure up to the desired setting.

⚠ WARNING

**Product rupture can cause serious injury.
Do not connect regulator to bottled gas.
Do not exceed maximum primary pressure rating.**

P3AR Regulator Kits & Accessories

- Gauges – 30 psig, 1/8" NPT (0 to 2.1 bar) K4515N18030
- 60 psig, 1/8" NPT (0 to 4.1 bar) K4515N18060
- 160 psig, 1/8" NPT (0 to 11.0 bar)K4515N18160

Mounting Bracket Kit* (Includes Panel Mount Nut) PS417BP

Panel Mount Nut* P78652

- Poppet / Piston Kits** – Unbalanced, Non-Relieving PS428P
- Unbalanced, Relieving PS426P

- Springs** – 1-15 psig Spring (Yellow) P01176
- 1-30 psig Spring (Black) P01175
- 1-60 psig Spring (White) P01174
- 5-110 psig Spring (Gold) P01173

Specifications

Gauge Ports (2)	1/8 Inch		
Operating Pressure Range –	psig	bar	
Primary –	Maximum	120	8.3
Secondary –			
15 psig Spring	Minimum	1	0.07
	Maximum	15	1.0
30 psig Spring	Minimum	6	0.4
	Maximum	30	2.1
60 psig Spring	Minimum	6	0.4
	Maximum	60	4.1
110 psig Spring	Minimum	6	0.4
	Maximum	110	7.6

Operating Temperature Range 32°F to 125°F (0°C to 52°C)

Port Threads 1/8, 1/4 Inch

Weight 0.23 lb. (0.10 kg)

Materials of Construction

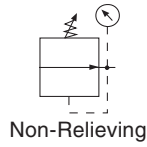
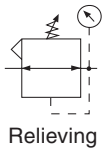
- Adjusting Nut** Brass
- Adjusting Stem & Spring** Steel
- Poppet Return Spring** Stainless Steel
- Body** Plastic
- Bonnet, Seat & Piston** Plastic
- Seals** Nitrile
- Valve Poppet** Plastic & Nitrile

*Tighten panel mount nut 2.8 to 3.4 Nm (25 to 30 in-lbs) of torque.



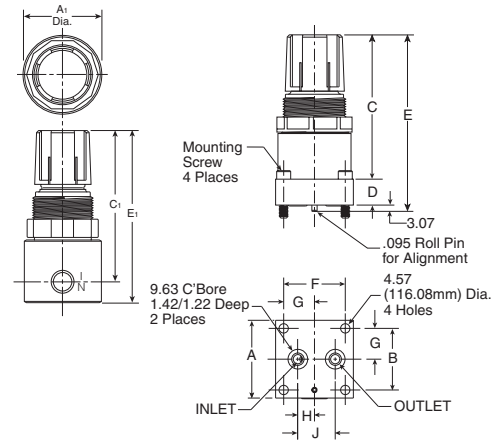
C	Product Selection
Filters	Filters
Coalescers	Coalescers
Regulators	Regulators
Filter / Regulators	Filter / Regulators
Lubricators	Lubricators
Combos	Combos
Accessories	Accessories

R34 Regulators – Miniature



Features

- Diaphragm operated for fast operation.
- Large Diaphragm to valve area ratio for precise regulation and high flow capacity.
- Balanced valve design for precise regulation.
- Available in 2 or 4 port design.
- Available with a manifold mount to minimize plumbing.
- Suitable for low temperature applications.
- Non-rising adjusting knob.
- 1/8" - 17 SCFM*
- 1/4" - 19 SCFM*



R344-02C



R342-0MC

R34 Miniature Regulator Dimensions				
A 1.50 (38.1)	A1 1.54 (39.2)	B 1.188 (30.18)	B1 1.56 (39.6)	C 2.75 (69.9)
C1 2.70 (68.6)	D 0.50 (12.7)	E 3.25 (82.6)	E1 3.25 (82.6)	F 1.20 (30.5)
G 0.60 (15.2)	H 0.32 (8.1)	J 0.73 (18.5)		

Model Type	Port Size	Without Gauge	Without Gauge	Without Gauge	With Gauge	With Gauge	With Gauge
		0 to 30 psig (0.0 to 2.1 bar)	0 to 60 psig (0.0 to 4.1 bar)	0 to 125 psig (0.0 to 8.6 bar)	0 to 30 psig (0.0 to 2.1 bar)	0 to 60 psig (0.0 to 4.1 bar)	0 to 125 psig (0.0 to 8.6 bar)
Relieving	1/8"	R344-01A	R344-01B	R344-01C	R344-01AG	R344-01BG	R344-01CG
	1/4"	R344-02A	R344-02B	R344-02C	R344-02AG	R344-02BG	R344-02CG
	Manifold Mount	R342-0MA	R342-0MB	R342-0MC			

* SCFM = Standard cubic feet per minute at 100 psig inlet, 90 psig no flow secondary setting and 10 psig pressure drop.

Ordering Information



Number of Ports	Thread	Port	Pressure Range	Options	Options	Preset
2 2 Ports 4* 4 Ports	- NPT G BSPP	01 1/8" 02 1/4" 0M Manifold Mount	A 0-30 PSI B 0-60 PSI C 0-125 PSI	Blank No Options G Gauge K Non-Relieving Diaphragm P Panel Mount Nut	Blank No Options L† Preset Non-Adjustable M† Preset Adjustable	Blank None XXX* Preset Pressure

* Not Available with Manifold Mount.

† Inlet Pressure is 100 psig. For other pressures, contact factory.

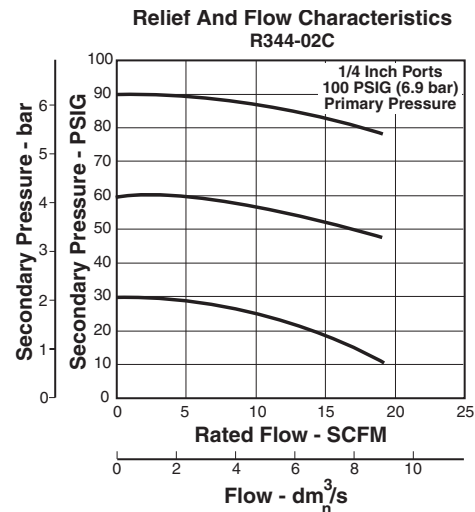
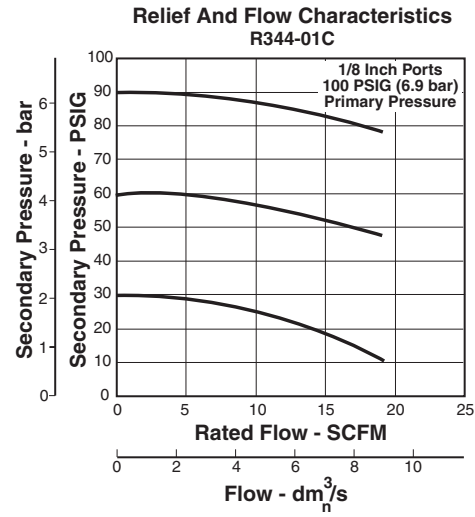
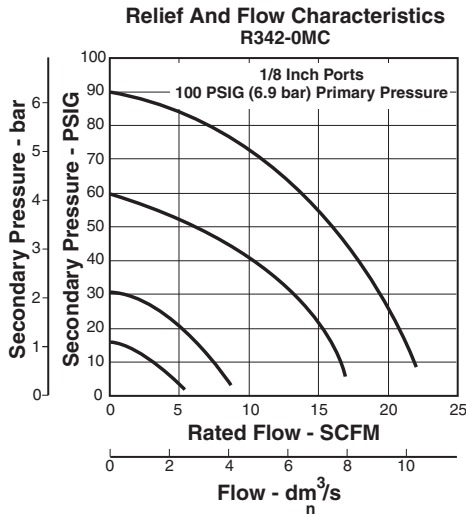
* Available Preset Range, 10 to 90 psig in 5 psig increments. For higher pressures, contact factory. (Example: 065 = 65 psig)

BOLD ITEMS ARE MOST POPULAR.



Technical Specifications – R34

Technical Information



CAUTION:

REGULATOR PRESSURE ADJUSTMENT – The working range of knob adjustment is designed to permit outlet pressures within their full range. Pressure adjustment beyond this range is also possible because the knob is not a limiting device. This is a common characteristic of most industrial regulators, and limiting devices may be obtained only by special design.

For best performance, regulated pressure should always be set by increasing the pressure up to the desired setting.

WARNING
<p>Product rupture can cause serious injury. Do not connect regulator to bottled gas. Do not exceed maximum primary pressure rating.</p>

R34 Regulator Kits and Accessories

- Diaphragm Assembly - Non-relieving..... GRP-96-726
- Relieving..... GRP-96-725
- Spring, Regulating - 0 to 30 psig (0 to 2.1 bar)..... GRP-95-111
- 0 to 60 psig (0 to 4.1 bar)..... GRP-96-718
- 0 to 125 psig (0 to 8.6 bar)..... GRP-96-717
- Panel Mount Nut – Aluminum.....R05X51-A
- Plastic.....R05X51-P
- Mounting Bracket Kit (Includes Panel Mount Nut).....SA161X57
- Gauges – 0 to 60 psig (0 to 4.1 bar), 1-1/2" Dial Face,
1/8 NPT, CBM..... K4515N18060
- 0 to 160 psig (0 to 11.0 bar), 1-1/2" Dial Face,
1/8 NPT, CBM..... K4515N18160
- Tamperproof Knob Kit.....P31KB00AT

Materials of Construction

- Body.....Aluminum
- Bonnet.....Acetal
- Diaphragm & Seals.....Nitrile
- Valve Assembly.....Brass
- Springs.....Steel
- Panel Nut.....Acetal

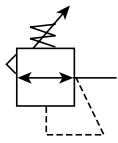
Specifications

- Operating Temperature..... -40° F to 150°F (-40° C to 65.5°C)
- Supply Pressure.....300 psig Maximum (20.4 bar)
- Port Threads..... 1/8, 1/4 Inch
- Gauge Ports..... (2) Std 1/8 Inch
(No Gauge Port Version Available)
- Weight.....25 lbs. (0.11 kg)

C	Product Selection
Filters	Coalescers
Regulators	Filter / Regulators
Lubricators	Compos
Accessories	

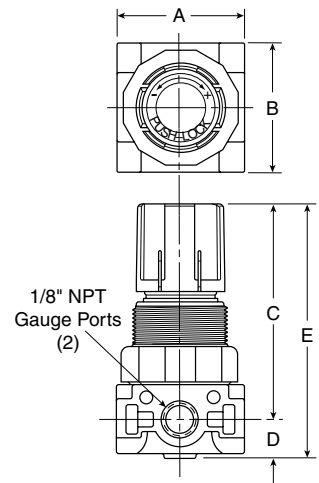


R24, R25 Regulators – Miniature (Air / Water Service)



Features

- Lightweight Plastic Body
- Constructed with a Combination of N.S.F. and F.D.A. Approved Materials
- Unbalanced Poppet Standard
- Non-rising, Push-to-lock Adjusting Knob
- Compact, 3.10 inch (79mm) high by 1.60 inch (41mm) wide
- Lightweight
- Diaphragm Operated



Port Size	NPT	
	Air Service Relieving	Water Service Non-Relieving
	Relieving, 0-125 Reduced Pressure, Without Gauge	
1/8"	R25-01C	R24-01CK
1/4"	R25-02C	R24-02CK

R24, R25 Regulator Dimensions		
A	B	C
1.60 (41)	1.60 (41)	2.61 (66)
D	E	
0.49 (13)	3.10 (79)	

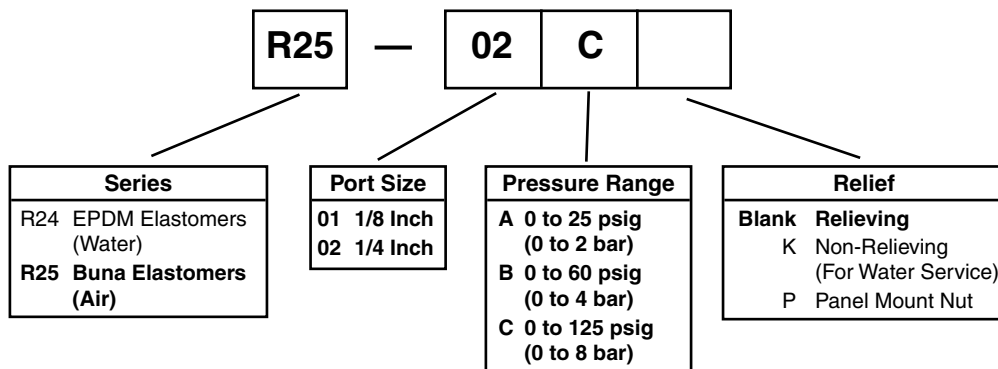
Inches (mm)

Bold Items are Most Popular.

For other models refer to ordering information below.

NOTE: 1.250 Dia. (31.8mm) hole required for panel mounting.

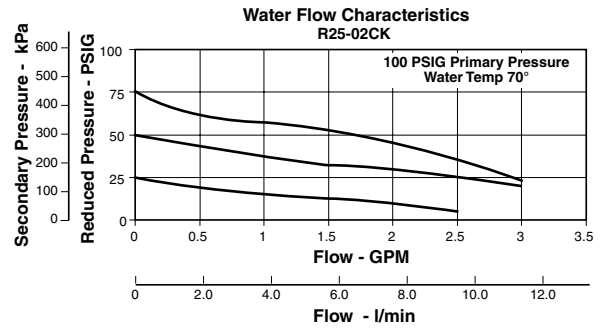
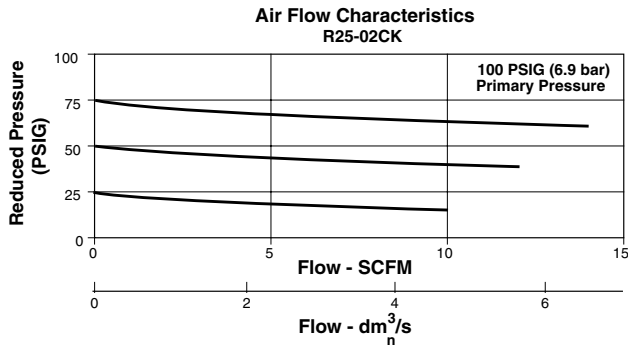
Ordering Information



BOLD ITEMS ARE MOST POPULAR.



Technical Information



CAUTION:

REGULATOR PRESSURE ADJUSTMENT – The working range of knob adjustment is designed to permit outlet pressures within their full range. Pressure adjustment beyond this range is also possible because the knob is not a limiting device. This is a common characteristic of most industrial regulators, and limiting devices may be obtained only by special design.

For best performance, regulated pressure should always be set by increasing the pressure up to the desired setting.

⚠ WARNING

**Product rupture can cause serious injury.
Do not connect regulator to bottled gas.
Do not exceed maximum primary pressure rating.**

R24, R25 Regulator Kits and Accessories

- Panel Mount Nut – PlasticR05X51-P
- AluminumR05X51-A
- Mounting Bracket and Nut SA161X57
- Service Kits – Relieving (Buna) RKR25Y
- Non-Relieving (Buna)RKR25KY
- Relieving (EPDM) RKR24Y
- Non-Relieving (EPDM)RKR24KY
- Springs – 0-25 psig Spring..... SPR-375-1
- 0-60 psig Spring.....SPR-376
- 0-125 psig Spring.....SPR-377

Specifications

- Gauge Ports (2) 1/8 Inch
(Can be used for full flow)
- Pressure Rating – Maximum Inlet Pressure 150 psig.....(10.0 bar)
- Port Threads 1/8, 1/4 Inch
- Temperature Rating 40°F to 125°F (4°C to 52°C)
- Weight0.25 lb. (0.11 kg)

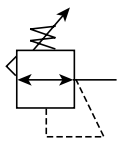
Materials of Construction

- Adjusting Screw Steel
- Body Acetal
- Bonnet and Seat Acetal
- Diaphragm (R25)..... Buna N
- Diaphragm (R24)..... EPDM
- Seals (R25) Buna N
- Seals (R24) EPDM
- Springs Stainless Steel
- Valve Poppet (R25)..... Buna N
- Valve Poppet (R24)..... EPDM



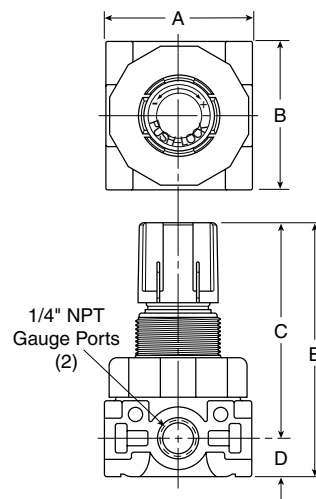
C	Product Selection
Filters	
Coalescers	
Regulators	
Filter / Regulators	
Lubricators	
Compos	
Accessories	

R45, R46 Regulators – Miniature (Air / Water Service)



Features

- Lightweight Plastic Body
- Constructed with a Combination of N.S.F. and F.D.A. Approved Materials
- Unbalanced Poppet Standard
- Non-rising, Push-to-lock Adjusting Knob
- Compact, 3.43 inch (87.1mm) high by 2.06 inch (52.3mm) wide
- Lightweight
- Diaphragm Operated



Port Size	NPT	
	Air Service Relieving	Water Service Non-Relieving
	Relieving, 0-125 Reduced Pressure, Without Gauge	
1/4"	R45-02C	R46-02CK
3/8"	R45-03C	R46-03CK

R45, R46 Regulator Dimensions		
A	B	C
2.06 (52)	2.06 (52)	2.90 (74)
D	E	
0.53 (14)	3.43 (87)	

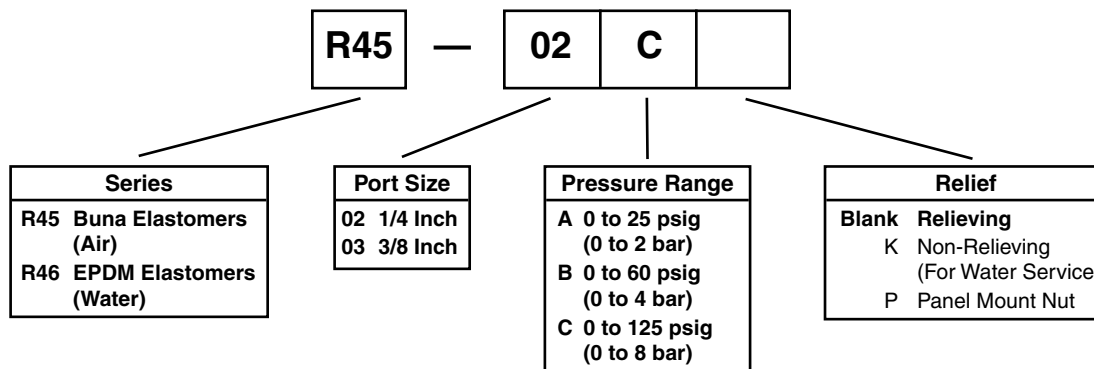
Inches (mm)

Bold Items are Most Popular.

For other models refer to ordering information below.

NOTE: 1.250 Dia. (31.8mm) hole required for panel mounting.

Ordering Information

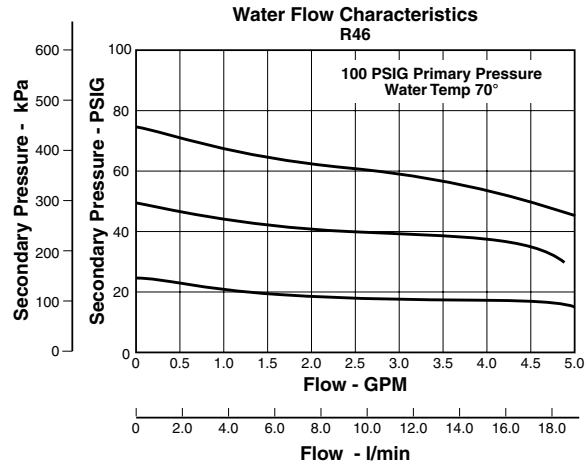
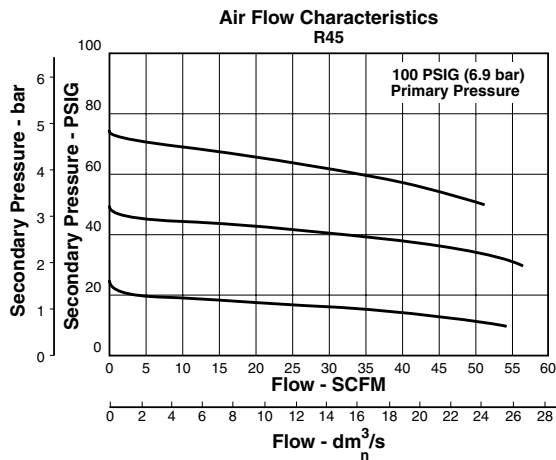


BOLD ITEMS ARE MOST POPULAR.



Product Selection
 Filters
 Coalescers
 Regulators
 Filter / Regulators
 Lubricators
 Combs
 Accessories

Technical Information



CAUTION:

REGULATOR PRESSURE ADJUSTMENT – The working range of knob adjustment is designed to permit outlet pressures within their full range. Pressure adjustment beyond this range is also possible because the knob is not a limiting device. This is a common characteristic of most industrial regulators, and limiting devices may be obtained only by special design.

For best performance, regulated pressure should always be set by increasing the pressure up to the desired setting.

⚠ WARNING

**Product rupture can cause serious injury.
Do not connect regulator to bottled gas.
Do not exceed maximum primary pressure rating.**

R45, R46 Regulator Kits and Accessories

- Panel Mount Nut – Plastic R05X51
- Aluminum R05X51A
- Mounting Bracket and Nut SA161X57
- Service Kits – Relieving RKR45Y
- Non-Relieving RKR45KY
- Springs – 0-25 psig Spring SPR-46
- 0-60 psig Spring SPR-47
- 0-125 psig Spring SPR-48

Specifications

- Gauge Ports (2) 1/4 Inch
(Can be used for full flow)
- Pressure Rating – Maximum Inlet Pressure 150 psig (10.0 bar)
- Port Threads 1/4, 3/8 Inch
- Temperature Rating 40°F to 125°F (4°C to 52°C)
- Weight 0.38 lb. (0.17 kg)

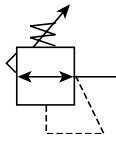
Materials of Construction

- Adjusting Screw Steel
- Body Acetal
- Bonnet and Seat Acetal
- Diaphragm (R45) Buna N
- Diaphragm (R46) EPDM
- Seals (R45) Buna N
- Seals (R46) EPDM
- Springs Stainless Steel
- Valve Poppet (R45) Buna N
- Valve Poppet (R46) EPDM



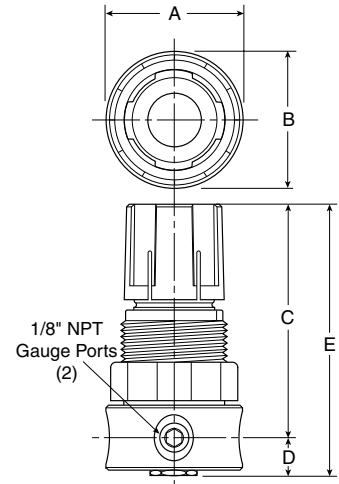
C	Product Selection
Filters	Coalescers
Regulators	Filter / Regulators
Lubricators	Compos
Accessories	

20R Regulators – Miniature (Water Service)



Features

- Rugged brass body for water service.
- Unbalanced poppet standard.
- Diaphragm operated for fast response.
- Non-rising adjusting knob.
- Compact, 3.06 inch (77.79mm) high by 1.56 inch (36.69mm) wide.
- High Flow: 1.25 GPM



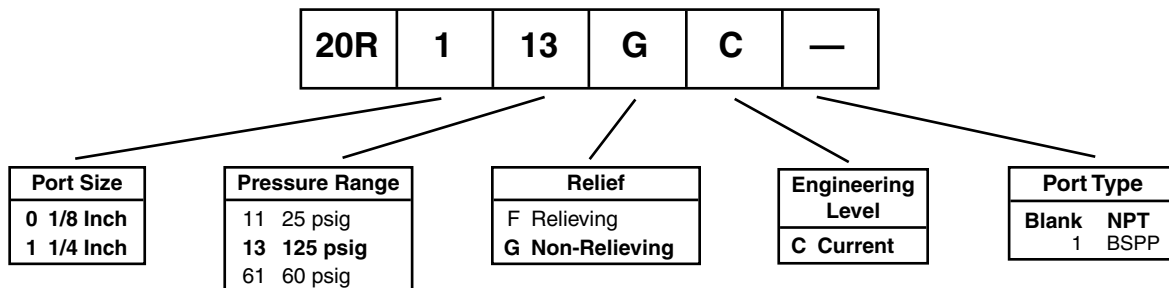
Port Size	NPT
Without Gauge	
1/8"	20R013GC
1/4"	20R113GC

20R Regulator Dimensions		
A	B	C
1.56 (40)	1.56 (40)	2.56 (65)
D	E	
0.50 (13)	3.06 (78)	

Bold Items are Most Popular.
 For other models refer to ordering information below.
 NOTE: 1.25 Dia. (32mm) hole required for panel mounting.

Inches (mm)

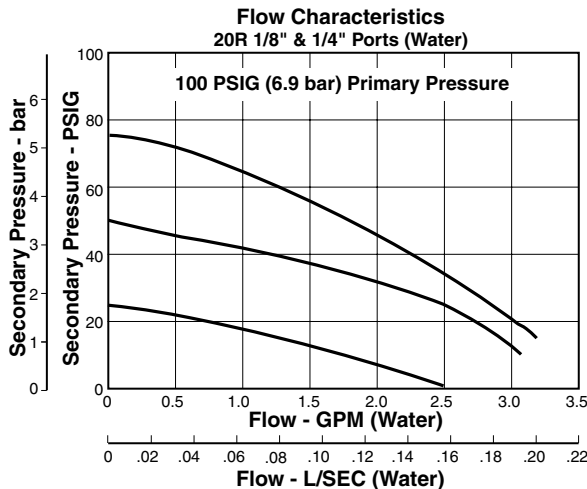
Ordering Information



BOLD ITEMS ARE MOST POPULAR.



Technical Information



CAUTION:

REGULATOR PRESSURE ADJUSTMENT – The working range of knob adjustment is designed to permit outlet pressures within their full range. Pressure adjustment beyond this range is also possible because the knob is not a limiting device. This is a common characteristic of most industrial regulators, and limiting devices may be obtained only by special design.

For best performance, regulated pressure should always be set by increasing the pressure up to the desired setting.

⚠ WARNING
Product rupture can cause serious injury. Do not connect regulator to bottled gas. Do not exceed maximum primary pressure rating.

20R Regulator Kits & Accessories

- Bonnet KitPCKR364Y
- Bonnet Tamperproof KitPCKR364T
- Panel Mount Nut – AluminumR05X51-A
- PlasticR05X51-P
- Mounting Bracket KitSA161X57
- Repair Kits – Relieving.....PRKR164Y
- Non-Relieving.....PRKR163Y

Specifications

- Gauge Ports (2) 1/8 Inch
- Port Threads 1/8, 1/4 Inch
- Pressure Rating – Maximum0 to 300 psig (0 to 20.7 bar)
- Secondary Pressure Ranges –
 - Standard Pressure.....2 to 125 psig (0 to 8.6 bar)
 - Medium Pressure..... 1 to 60 psig (0 to 4.1 bar)
 - Medium Pressure..... 1 to 25 psig (0 to 2.1 bar)
- Temperature Ratings 32°F to 125°F (0°C to 52°C)
- Weight0.5 lb. (0.23 kg)

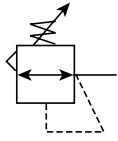
Materials of Construction

- Adjusting Nut & Stem Steel
- Body, Valve Poppet, Bottom Plug, Diaphragm Button Brass
- Bonnet, Knob Plastic
- Seals, Diaphragm Buna N
- Springs Steel



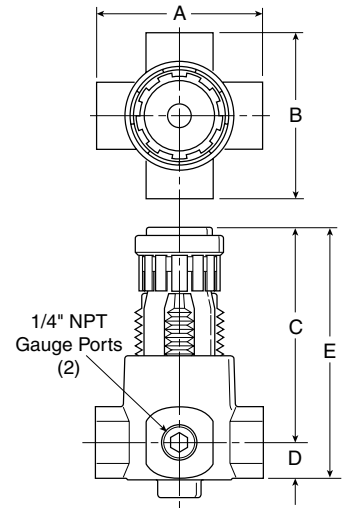
C	Product Selection
	Filters
	Coalescers
	Regulators
	Filter / Regulators
	Lubricators
	Combos
	Accessories

15R Regulators – Economy



Features

- Solid control piston with resilient seat for service-free operation.
- Non-rising “locking” adjusting knob.
- Compact, 3.30 inch (84mm) high by 2.12 inch (54mm) wide.
- Easily serviced.
- High Flow: 1/4" – 21 SCFM[§]
 3/8" – 28 SCFM[§]



Port Size	NPT
Without Gauge	
1/4"	15R113FB
3/8"	15R213FB
With Gauge	
1/4"	15R118FB
3/8"	15R218FB

15R Regulator Dimensions		
A	B	C
2.12 (54)	2.00 (51)	2.60 (66)
D	E	
0.70 (18)	3.30 (84)	

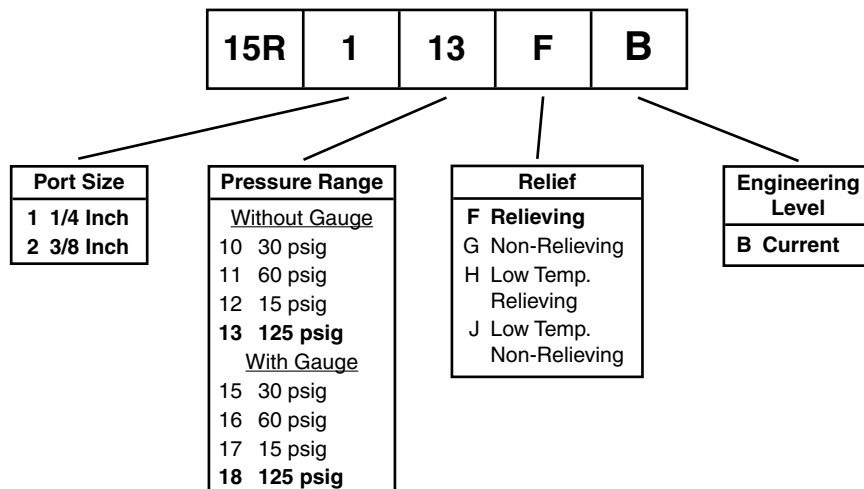
Inches (mm)

Standard part numbers shown bold. For other models refer to ordering information below.

NOTE: 1.218 Dia. (31mm) hole required for panel mounting.

§ SCFM = Standard cubic feet per minute at 100 psig inlet, 90 psig no flow secondary setting and 10 psig pressure drop.

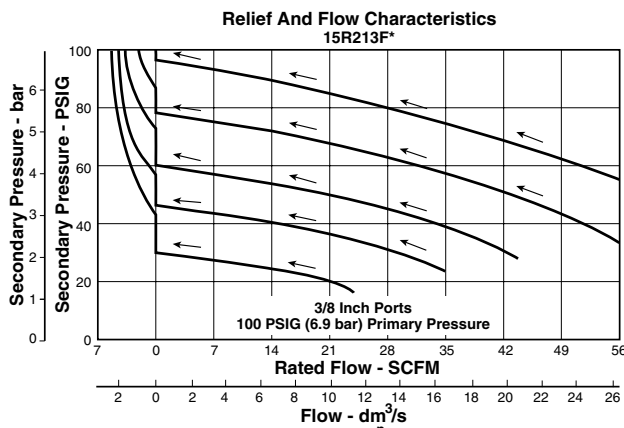
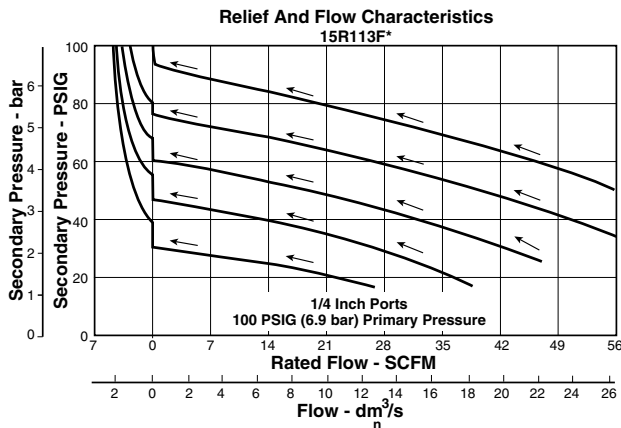
Ordering Information



BOLD ITEMS ARE MOST POPULAR.

Technical Specifications – 15R

Technical Information



CAUTION:

REGULATOR PRESSURE ADJUSTMENT – The working range of knob adjustment is designed to permit outlet pressures within their full range. Pressure adjustment beyond this range is also possible because the knob is not a limiting device. This is a common characteristic of most industrial regulators, and limiting devices may be obtained only by special design.

For best performance, regulated pressure should always be set by increasing the pressure up to the desired setting.

⚠ WARNING

**Product rupture can cause serious injury.
Do not connect regulator to bottled gas.
Do not exceed maximum primary pressure rating.**

15R Regulator Kits & Accessories

- Body Service Kit – UnbalancedPS424BP
- Bonnet Assembly Kit L01369
- Gauges – 30 psig, 1/8" NPT (0 to 2.1 bar)..... K4515N18030
- 60 psig, 1/8" NPT (0 to 4.1 bar)..... K4515N18060
- 160 psig, 1/8" NPT (0 to 11.0 bar)K4515N18160
- 60 psig, 1/4" NPT (0 to 4.1 bar) K4520N14060
- 160 psig, 1/4" NPT (0 to 11.0 bar).....K4520N14160
- Mounting Bracket Kit* (Includes Panel Mount Nut)..... PS417BP
- Panel Mount Nuts* – PlasticP78652
- Metal P01531
- Poppet / Piston Kits – Unbalanced, Non-Relieving.....PS428P
- Unbalanced, Relieving.....PS426P
- Seal Kit – Unbalanced.....PS454B
- Springs – 1-15 psig Range (Yellow) P01176
- 1-30 psig Range (Black) P01175
- 1-60 psig Range (White)P01174
- 2-125 psig Range (Gold) P01173

*Tighten panel mount nut 2.8 to 3.4 Nm (25 to 30 in-lbs) of torque.

Specifications

- Gauge Ports (2) 1/4 Inch
(Can be used for Full Flow)
- Port Threads 1/4, 3/8 Inch
- Pressure & Temperature Ratings – 0 to 250 psig (0 to 17.2 bar)
32°F to 125°F (0°C to 52°C)
- Low Temperature-4°F to 125°F (-20°C to 52°C)
- Secondary Pressure Ranges –
- Standard Pressure2 to 125 psig (0 to 8.6 bar)
- Medium Pressure..... 1 to 60 psig (0 to 4.1 bar)
- Medium Pressure..... 1 to 30 psig (0 to 2.1 bar)
- Low Pressure 1 to 15 psig (0 to 1 bar)
- Weight0.5 lb. (0.23 kg)

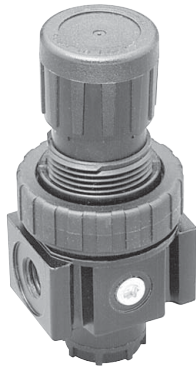
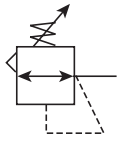
Materials of Construction

- Adjusting Nut..... Brass
- Adjusting Stem & Spring Steel
- Body Zinc
- Bonnet, Seat, Piston & Valve Poppet Plastic
- Seals Nitrile

C	Product Selection
Filters	Coalescers
Regulators	Filter / Regulators
Lubricators	Compos
Accessories	

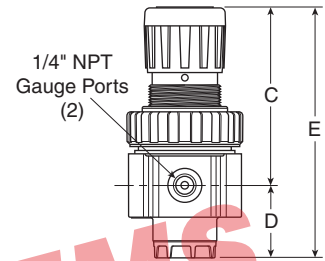
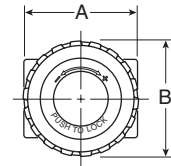


05R Regulators – Economy



Features

- Secondary aspiration plus balanced poppet provides quick response and accurate pressure regulation.
- Rolling diaphragm for extended life.
- Removable non-rising knob for panel mounting and tamper resistance.
- Easily serviced.
- Reverse Flow.
- High Flow: 1/4" – 30 SCFM[§]
 3/8" – 40 SCFM[§]



Port Size	NPT
Without Gauge	
1/4"	05R113A*
3/8"	05R213A*
With 160 PSI Gauge	
1/4"	05R118A*
3/8"	05R218A*

05R Regulator Dimensions		
A	B	C
2.00 (51)	2.06 (52)	3.16 (80)
D	E	
1.28 (32)	4.44 (113)	

Inches (mm)

Standard part numbers shown bold. For other models refer to ordering information below.

NOTE: 1.53 Dia. (39mm) hole required for panel mounting.

§ SCFM = Standard cubic feet per minute at 100 psig inlet, 90 psig no flow secondary setting and 10 psig pressure drop.

Ordering Information



Port Size	Pressure Range	Relief	Engineering Level	Port Type	Options	Preset / Pressure Limited
1 1/4 Inch 2 3/8 Inch	<u>Without Gauge</u> 10 30 psig 11 60 psig 13 125 psig 14 200 psig <u>With Gauge**</u> 17 30 psig 16 60 psig 18 125 psig 19 200 psig	A Relieving L Non-Relieving H Low Temp. Relieving J Low Temp. Non-Relieving	D Current	Blank NPT 1* BSPP 2 BSPT * 1/4 & 3/8 inch meet ISO 1179-1 Standard.	Blank No Options L† Preset Non-Adjustable P† Preset Adjustable S† Pressure Limiter Max. Adjustable T† Pressure Limiter Max. Non-Adjustable	Blank None XXX* Preset Pressure XXX* Pressure Limited

** Includes 1-1/2" Dial Face Gauge

† Inlet Pressure is 100 psig. For other pressures, contact factory.

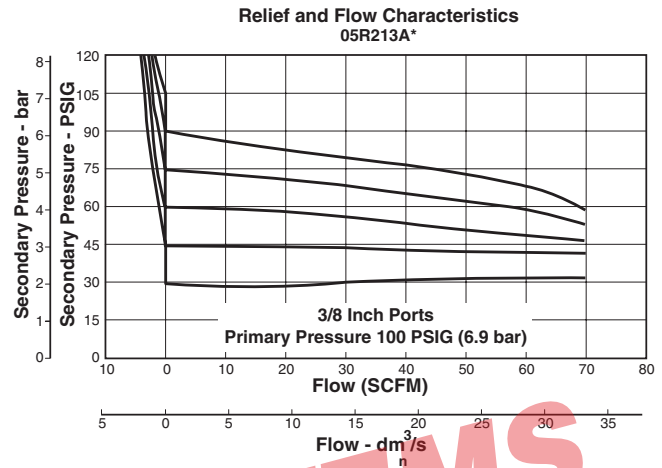
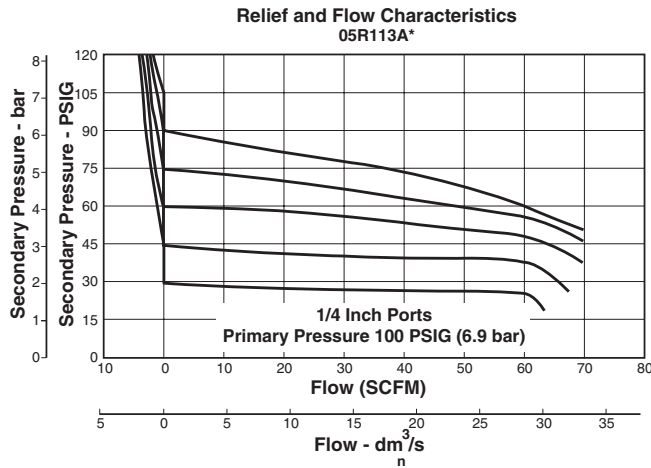
* Available Preset / Pressure Limited Range, 10 to 90 psig in 5 psig increments. For higher pressures, contact factory. (Example: 065 = 65 psig)

Spring Type by Preset / Limited Pressure:
 For Preset / Limited Pressure 10 to 25 use 30 PSI Spring
 For Preset / Limited Pressure 26 to 50 use 60 PSI Spring
 For Preset / Limited Pressure 51 to 90 use 125 PSI Spring

BOLD ITEMS ARE MOST POPULAR.

Technical Specifications – 05R

Technical Information



CAUTION:

REGULATOR PRESSURE ADJUSTMENT – The working range of knob adjustment is designed to permit outlet pressures within their full range. Pressure adjustment beyond this range is also possible because the knob is not a limiting device. This is a common characteristic of most industrial regulators, and limiting devices may be obtained only by special design.

For best performance, regulated pressure should always be set by increasing the pressure up to the desired setting.

⚠ WARNING

**Product rupture can cause serious injury.
Do not connect regulator to bottled gas.
Do not exceed maximum primary pressure rating.**

05R Regulator Kits & Accessories

Bonnet Assembly Kit	PS915P
Control Knob	P04420
Gauges – 1-1/2" Dial Face	
30 psig (0 to 2.1 bar)	K4515N14030
60 psig (0 to 4.1 bar)	K4515N14060
160 psig (0 to 11.0 bar)	K4515N14160
300 psig (0 to 20.0 bar)	K4515N14300
2" Dial Face	
60 psig (0 to 4.1 bar).....	K4520N14060
160 psig (0 to 11.0 bar).....	K4520N14160
300 psig (0 to 20.0 bar).....	K4520N14300
Mounting Bracket Kit	PS963P
Panel Mount Nut – Metal	PS964P
Springs – 1-30 psig Range	P04427
1-60 psig Range	P04426
2-125 psig Range	P04425
2-200 psig	P02934
Service Kit – Relieving	PS908P
Non-Relieving	PS909P

Specifications

Gauge Ports (2)	1/4 Inch
Port Threads	1/4, 3/8 Inch
Primary Pressure Rating –	
Maximum Primary Pressure	300 psig (17.2 bar) Max.
<i>For Secondary Pressure Ranges see above charts.</i>	
Temperature Rating	32°F to 175°F (0°C to 80°C)
Low Temperature	-4°F to 125°F (-20°C to 52°C)
Weight	1.1 lb. (0.49 kg)

Materials of Construction

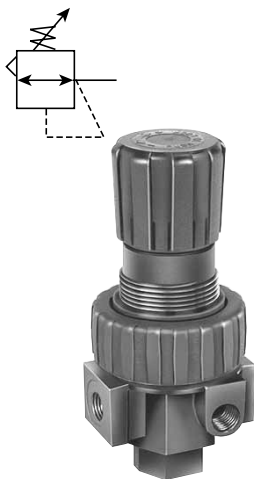
Adjusting Stem	Brass
Bonnet	Plastic
Body	Zinc
Collar, Knob	Plastic
Diaphragm	Nitrile
Poppet & Cap	Plastic
Seals	Nitrile
Springs – Poppet & Control	Steel



C

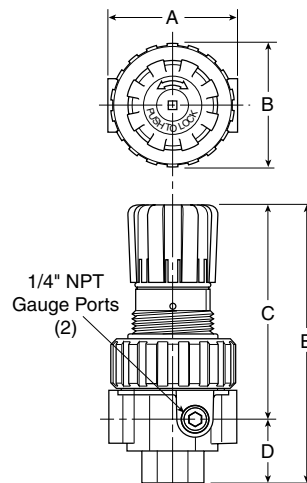
Product Selection
Filters
Coalescers
Regulators
Filter / Regulators
Lubricators
Compos
Accessories

06R Regulators – Compact



Features

- Secondary aspiration plus balanced poppet provides quick response and accurate pressure regulation.
- Rolling diaphragm for extended life.
- Two high flow 1/4" gauge ports can be used as additional outlets.
- Easily serviced.
- Removable non-rising knob for panel mounting and tamper resistance.
- High Flow: 1/4" – 53 SCFM§
 3/8" – 60 SCFM§
 1/2" – 75 SCFM§



Port Size	NPT
Without Gauge	
1/4"	06R113AC
3/8"	06R213AC
1/2"	06R313AC
With 160 PSI Gauge	
1/4"	06R118AC
3/8"	06R218AC
1/2"	06R318AC

06R Regulator Dimensions		
A	B	C
2.81 (71)	2.74 (70)	4.69 (119)
D	E	
1.39 (35)	6.08 (154)	

Inches (mm)

Standard part numbers shown bold. For other models refer to ordering information below.

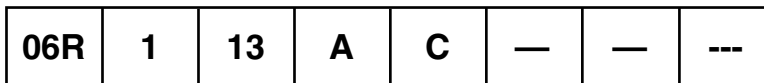
NOTE: 2.00 Dia. (51mm) hole required for panel mounting.

§ SCFM = Standard cubic feet per minute at 100 psig inlet, 90 psig no flow secondary setting and 10 psig pressure drop.

⚠ WARNING

**Product rupture can cause serious injury.
 Do not connect regulator to bottled gas.
 Do not exceed maximum primary pressure rating.**

Ordering Information



Port Size
1 1/4 Inch
2 3/8 Inch
3 1/2 Inch

Pressure Range
<u>Without Gauge</u>
11 60 psig
13 125 psig
15 250 psig
<u>With Gauge**</u>
16 60 psig
18 125 psig
21 250 psig

** Includes 1-1/2" Dial Face Gauge

Relief
A Relieving
L Non-Relieving

Engineering Level
C Current

Port Type
Blank NPT
1* BSPP

* 1/4 & 3/8 inch meet ISO 1179-1 Standard.

Options
Blank No Options
L† Preset Non-Adjustable
P† Preset Adjustable
R Reverse Flow

† Inlet Pressure is 100 psig. For other pressures, contact factory.

Preset / Pressure Limited
Blank None
XXX* Preset Pressure

* Available Preset / Pressure Limited Range, 10 to 90 psig in 5 psig increments. For higher pressures, contact factory.

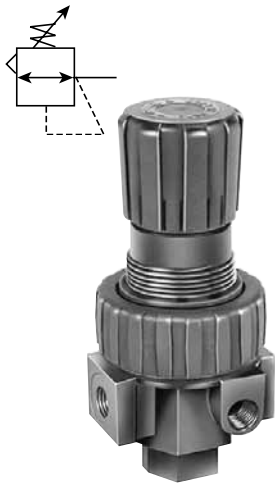
(Example: 065 = 65 psig)

Spring Type by Preset / Limited Pressure:

For Preset / Limited Pressure 26 to 50 use 60 PSI Spring
 For Preset / Limited Pressure 51 to 90 use 125 PSI Spring

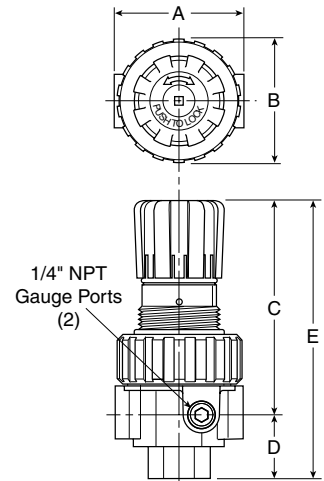
BOLD ITEMS ARE MOST POPULAR.

07R Regulators – Standard



Features

- Secondary aspiration plus balanced poppet provides quick response and accurate pressure regulation.
- Rolling diaphragm for extended life.
- Two high flow 1/4" gauge ports can be used as additional outlets.
- Easily serviced.
- Removable non-rising knob for panel mounting and tamper resistance.
- High Flow: 1/2" – 90 SCFM§
 3/4" – 90 SCFM§



Port Size	NPT
Without Gauge	
1/2"	07R313AC
3/4"	07R413AC
With 160 PSI Gauge	
1/2"	07R318AC
3/4"	07R418AC

07R Regulator Dimensions		
A	B	C
3.24 (82)	2.74 (70)	4.79 (122)
D	E	
1.61 (41)	6.40 (163)	

Inches (mm)

Standard part numbers shown bold. For other models refer to ordering information below.

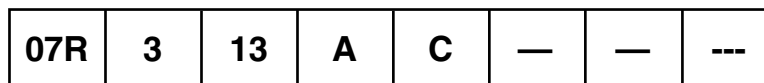
NOTE: 2.00 Dia. (51mm) hole required for panel mounting.

§ SCFM = Standard cubic feet per minute at 100 psig inlet, 90 psig no flow secondary setting and 10 psig pressure drop.

⚠ WARNING

**Product rupture can cause serious injury.
 Do not connect regulator to bottled gas.
 Do not exceed maximum primary pressure rating.**

Ordering Information



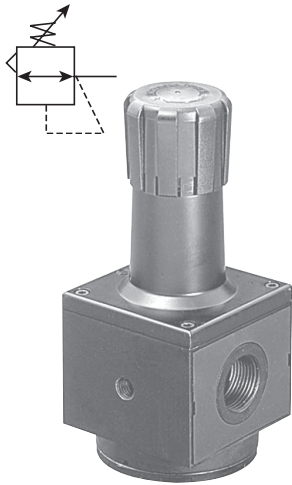
Port Size 3 1/2 Inch 4 3/4 Inch	Pressure Range Without Gauge 11 60 psig 13 125 psig 15 250 psig With Gauge** 16 60 psig 18 125 psig 21 250 psig ** Includes 1-1/2" Dial Face Gauge	Relief A Relieving L Non-Relieving	Engineering Level C Current	Port Type Blank NPT 1* BSPP * 1/2 inch meets ISO 1179-1 Standard.	Options Blank No Options L† Preset Non-Adjustable P† Preset Adjustable R Reverse Flow † Inlet Pressure is 100 psig. For other pressures, contact factory.	Preset / Pressure Limited Blank None XXX* Preset Pressure * Available Preset / Pressure Limited Range, 10 to 90 psig in 5 psig increments. For higher pressures, contact factory. (Example: 065 = 65 psig)
--	--	--	--	---	---	---

Spring Type by Preset / Limited Pressure:

For Preset / Limited Pressure 26 to 50 use 60 PSI Spring
 For Preset / Limited Pressure 51 to 90 use 125 PSI Spring

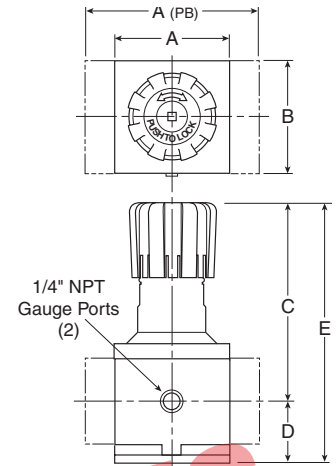
BOLD ITEMS ARE MOST POPULAR.

P3NR Regulators – Hi-Flow



Features

- Port blocks (PB) available to provide 1-1/2" port extension to 1" ported bodies.
- Self relieving feature plus balanced poppet provides quick response and accurate pressure regulation.
- Solid control piston for extended life.
- High Flow: 3/4" – 200 SCFM§
 1" – 300 SCFM§
 1-1/2" – 300 SCFM§



Port Size	NPT
Without Gauge	
3/4"	P3NRA96BNN
1"	P3NRA98BNN
1-1/2"	P3NRA9PBNN
With 160 PSI Gauge	
3/4"	P3NRA96BNG
1"	P3NRA98BNG
1-1/2"	P3NRA9PBNG

P3NR Regulator Dimensions		
A	A ^(PB)	B
3.62 (92)	5.91 (150)	3.62 (92)
C	D	E
6.38 (162)	2.08 (53)	8.46 (215)

Inches (mm)

GRAYED OUT ITEMS
 ARE OBSOLETE

Standard part numbers shown bold. For other models refer to ordering information below.

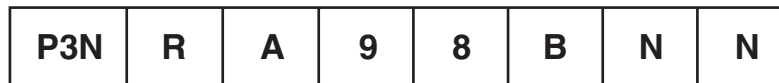
NOTE: 2.00 Dia. (51mm) hole required for panel mounting.

§ SCFM = Standard cubic feet per minute at 100 psig inlet, 90 psig no flow secondary setting and 10 psig pressure drop.

⚠ WARNING

**Product rupture can cause serious injury.
 Do not connect regulator to bottled gas.
 Do not exceed maximum primary pressure rating.**

Ordering Information



Engineering Level
A Current

Port Type
1* G Thread (BSPP) Female
2 Rc Thread (BSPT) Female
9 NPT Female

* 3/4 & 1 inch meet ISO 1179-1 Standard.

Port Size
6 3/4" (w/o Port Blocks)
8 1" (w/o Port Blocks)
P 1-1/2" Port Blocks (w/ 1" Ported Body)

Relief
B Relieving
N Non-Relieving

Adjustment
N Non-Rising Knob

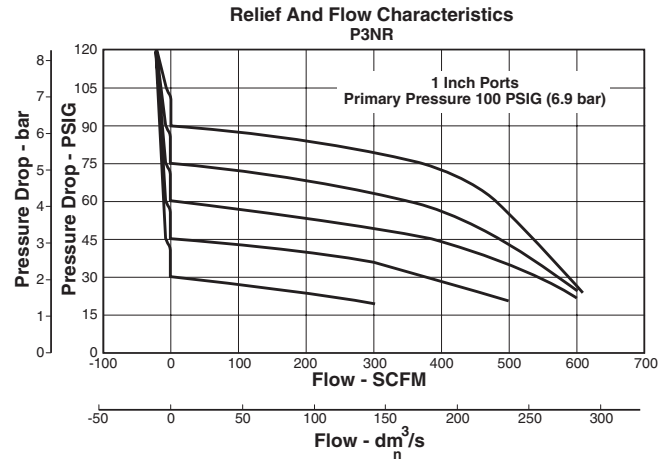
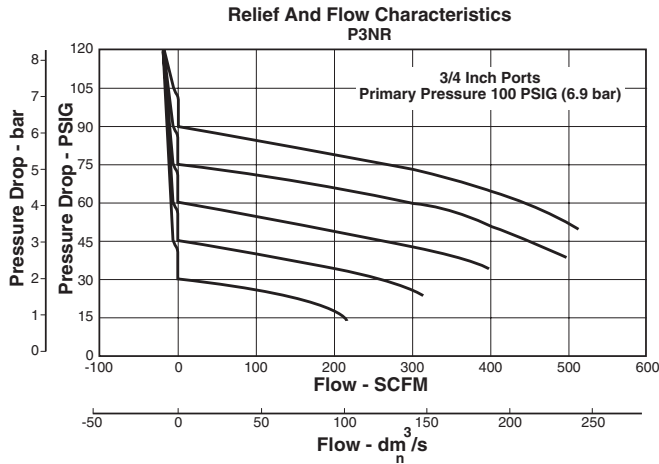
Pressure Gauge
Without Gauge
L 60 PSI (0 to 4 bar)
N 125 PSI (0 to 8 bar)
H 250 PSI (0 to 17 bar)
With Gauge
M 60 PSI (0 to 4 bar)
G 125 PSI (0 to 8 bar)
J 250 PSI (0 to 17 bar)

Note: BSPP ported units supplied using NPT ported bodies and BSPP port block kits.

BOLD ITEMS ARE MOST POPULAR.

Technical Specifications – P3NR

Technical Information

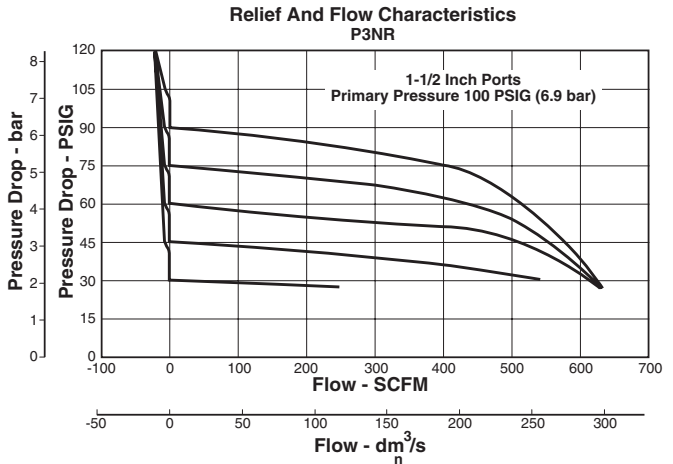


CAUTION:

REGULATOR PRESSURE ADJUSTMENT –

The working range of knob adjustment is designed to permit outlet pressures within their full range. Pressure adjustment beyond this range is also possible because the knob is not a limiting device. This is a common characteristic of most industrial regulators, and limiting devices may be obtained only by special design.

For best performance, regulated pressure should always be set by increasing the pressure up to the desired setting.



P3NR Regulator Kits & Accessories

Control Knob	P3NKA00PN
Gauges – 2" Dial Face	
60 psig (0 to 4.1 bar)	K4520N14060
160 psig (0 to 11.0 bar)	K4520N14160
300 psig (0 to 20.0 bar)	K4520N14300
1-3/4" Digital Round Face	
160 psig (0 to 11.0 bar)	K4517N14160D
Mounting Bracket Kit*	P3NKA00MW
Service Kit – Relieving	P3NKA00RR
Non-Relieving	P3NKA00RN
Springs – 1-60 psig Range	C10A1304
2-125 psig Range	C10A1308
5-250 psig Range	C10A1317

* If 1-1/2 BSSP E02 fittings are required, use P3NKA0BMW.

Specifications

Gauge Ports (2)	1/4 Inch
(Can be used as additional High Flow 1/4 Inch Outlet Ports)	
Port Threads	3/4, 1, 1-1/2 Inch
Primary Pressure Rating –	
Maximum Primary Pressure	250 psig (17.2 bar)
Temperature Rating	32°F to 175°F (0°C to 80°C)
Weight – 3/4"	4.2 lb. (1.9 kg)
1"	4.2 lb. (1.9 kg)
1-1/2" †	5.3 lb. (2.4 kg)

Materials of Construction

Adjusting Stem	Steel
Body	Aluminum
Bonnet	Aluminum
Knob	Plastic
Piston	Plastic
Poppet Assembly	Brass
Seals	Nitrile
Springs – Poppet & Control	Steel

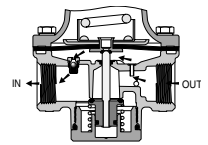
† 1" Port Body with 1-1/2" Port Block.

C
Product Selection
Filters
Coalescers
Regulators
Filter / Regulators
Lubricators
Compos
Accessories

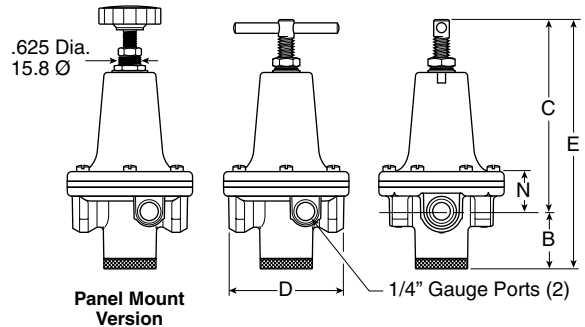
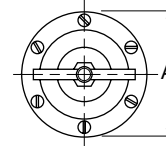
R119 Regulators – Standard

Features

- High Flow Performance Featuring Rugged Design for the Most Demanding Applications
- Ideal for Those Installations Calling for Constant Pressure with Wide Variation in Flow
- Diaphragm Operated Design with Balanced Poppet Design for Quick and Accurate Regulation
- Secondary Aspiration Plus Balanced Poppet Provides Quick Response and Accurate Pressure Regulation
- Heavy Duty Tee Handle Adjustment
- Reverse Flow Version Available
- Panel Mount Version Available
- High Flow: 1/4" – 100 SCFM§
 3/8" – 110 SCFM§
 1/2" – 150 SCFM§



X80 Reverse Flow Option



Port Size	NPT Relieving	BSPP Relieving
Without Gauge 0-125 PSIG Reduced Pressure		
1/4"	R119-02C	R119G02C
3/8"	R119-03C	R119G03C
1/2"	R119-04C	R119G04C
With Gauge 0-125 PSIG Reduced Pressure		
1/4"	R119-02CG/M2	—
3/8"	R119-03CG/M2	—
1/2"	R119-04CG/M2	—

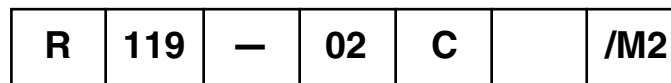
R119 Regulator Dimensions					
A	B	C	D	E	N
R119-02C, R119-03C					
3.00 (76)	1.38 (35)	5.29 (134)	2.74 (70.5)	6.67 (169)	.90 (24)
R119-04C					
3.56 (90)	1.56 (40)	5.34 (136)	3.25 (83)	6.90 (175)	1.45 (37)

inches (mm)

Standard part numbers shown bold.
 For other models refer to ordering information below.

§ SCFM = Standard cubic feet per minute at 100 PSIG inlet, 75 PSIG no flow secondary setting, and 20 PSIG pressure drop.

Ordering Information



Port Threads
– NPT
G BSPP

Port Size
02 1/4 Inch
03 3/8 Inch
04 1/2 Inch

Reduced Pressure Range
A 0-25 PSIG
B 0-60 PSIG
C 0-125 PSIG
D 0-250 PSIG

Options
– None
G Gauge
K† Non-Relieving
P Panel Mount
X64** Fluorocarbon O-Rings and Diaphragm
X80* Reverse Flow
X7 Brass Bottom Plug

Engineering Level
/M2 Current

* Reverse flow for use downstream of control valves.
 ** Brass Bottom Plug Standard with X64 Option.
 † Not available with 250 PSIG spring

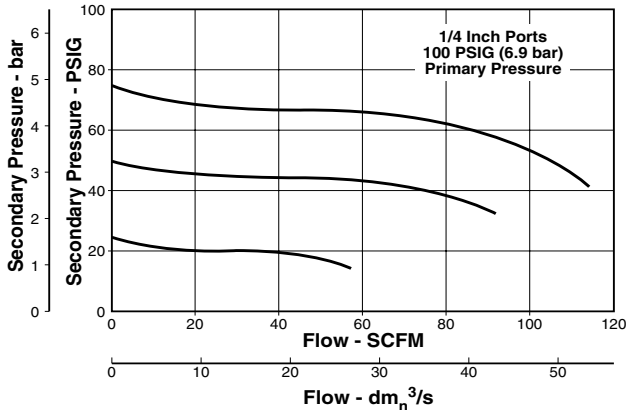
BOLD ITEMS ARE MOST POPULAR.



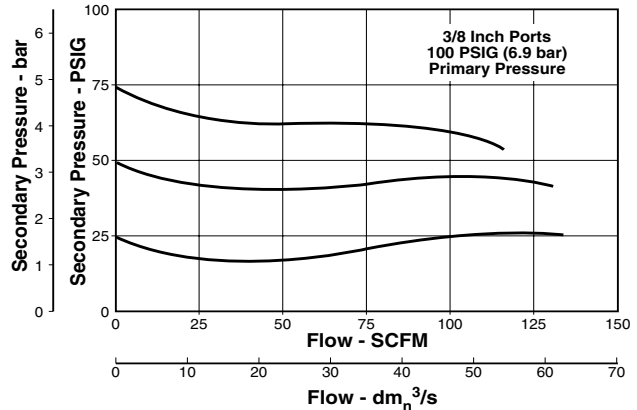
Technical Specifications – R119

Technical Information

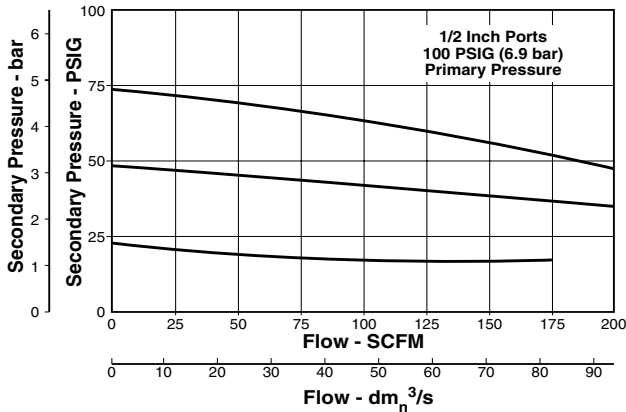
Flow Characteristics
R119-02C



Flow Characteristics
R119-03C



Flow Characteristics
R119-04C



WARNING
Product rupture can cause serious injury.
Do not connect regulator to bottled gas.
Do not exceed maximum primary pressure rating.

CAUTION:
REGULATOR PRESSURE ADJUSTMENT – The working range of knob adjustment is designed to permit outlet pressures within their full range. Pressure adjustment beyond this range is also possible because the knob is not a limiting device. This is a common characteristic of most industrial regulators, and limiting devices may be obtained only by special design. For best performance, regulated pressure should always be set by increasing the pressure up to the desired setting.

R119 Regulator Kits & Accessories

Gauges – 2" Dial Face

- 60 psig (0 to 4.1 bar)..... K4520N14060
- 160 psig (0 to 11.0 bar).....K4520N14160
- 300 psig (0 to 20.0 bar)..... K4520N14300

1-3/4" Digital Round Face

- 160 psig (0 to 11.0 bar)..... K4517N14160D

Mounting Bracket Kit –

- 1/4", 3/8".....SA15Y57
- 1/2"..... 18A57

Panel Mount Conversion Kit –

- 1/4", 3/8" 4202
- 1/2"..... 4204

Repair Kits –

- Non-Relieving Diaphragm,
Valve Assembly (1/4", 3/8"; All PSIG)RK118Y
- Relieving Diaphragm,
Valve Assembly (1/4", 3/8"; All PSIG) RK119Y
- Non-Relieving Diaphragm,
Valve Assembly (1/2"; 25, 60, 125 PSIG).....RK118A
- Non-Relieving Diaphragm,
Valve Assembly (1/2"; 250 PSIG) RK118A250
- Relieving Diaphragm,
Valve Assembly (1/2"; 25, 60, 125 PSIG).....RK119A

- Relieving Diaphragm,
Valve Assembly (1/2"; 250 PSIG)RK119A250
- Spring Cage & T-Handle Kit (1/4 & 3/8) RKC119Y
- Spring Cage & Insert Only Kit (1/2)SAC18A3/BK

For Fluorocarbon Repair Kits, add X64 to Kit Number suffix.

Specifications

- Gauge Ports (2)..... 1/4 Inch
- Port Threads..... 1/4, 3/8, 1/2 Inch
- Reduced Pressure Range 2 to 125 PSIG (0.15 to 8.5 bar)
- Supply Pressure 300 PSIG Maximum (20.4 bar)
- Temperature Rating 40°F to 125°F (4.4°C to 52°C)
- Weight –
R119-02, R119-03 1.8 lb. (0.82 kg) / Unit
26 lb. (11.79 kg) / 12-Unit Master Pack
R119-04 3.2 lb. (1.45 kg) / Unit
27 lb. (12.25 kg) / 8-Unit Master Pack

Materials of Construction

- Adjusting Screw, Springs Steel
- Body, Spring CageZinc
- Bottom Plug Nylon
- Innervalve Brass
- Seals Buna N



Product Selector

Filters

Coalescers

Regulators

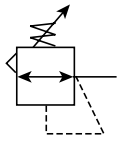
Filter / Regulators

Lubricators

Compos

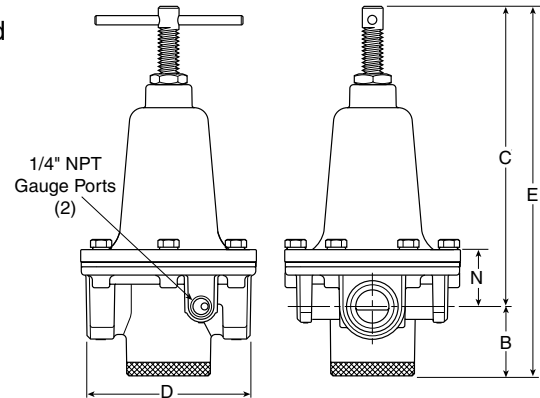
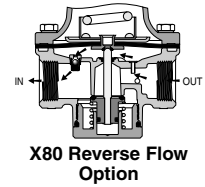
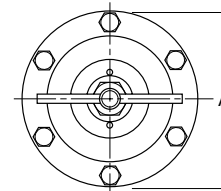
Accessories

R119 Regulators – Hi-Flow



Features

- High flow performance featuring rugged design for the most demanding applications.
- Ideal for those installations calling for constant pressure with wide variation in flow.
- Diaphragm operated design with balanced poppet for quick and accurate regulation.
- Secondary aspiration plus balanced poppet provides quick response and accurate pressure regulation.
- Heavy duty tee handle adjustment.
- Reverse flow version available.
- High Flow: 3/4" – 300 SCFM[§]
 1" – 400 SCFM[§]
 1-1/4" & 1-1/2" – 500 SCFM[§]



Port Size	NPT
	Relieving
Without Gauge 0-125 psig Reduced Pressure	
3/4"	R119-06C/M2
1"	R119-08C/M2
1-1/4"	R119-10C/M2
1-1/2"	R119-12C/M2
With Gauge 0-125 psig Reduced Pressure	
3/4"	R119-06CG/M2
1"	R119-08CG/M2
1-1/4"	R119-10CG/M2
1-1/2"	R119-12CG/M2

R119-06C, R119-08C Regulator Dimensions					
A	B	C	D	E	N
4.69 (119)	1.87 (47)	8.15 (207)	4.38 (111)	10.02 (255)	1.61 (41)
R119-10C, R119-12C Regulator Dimensions					
A	B	C	D	E	N
4.94 (125)	1.81 (46)	8.53 (217)	4.94 (125)	10.34 (263)	1.99 (50.6)

inches (mm)

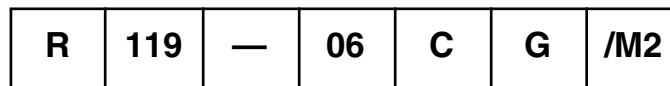
Standard part numbers shown bold. For other models refer to ordering information below.

§ SCFM = Standard Cubic Feet Per Minute at 100 psig Inlet, 75 psig No Flow Secondary Setting, and 20 psig Pressure Drop.

⚠ WARNING

**Product rupture can cause serious injury.
 Do not connect regulator to bottled gas.
 Do not exceed maximum primary pressure rating.**

Ordering Information



Port Threads
— NPT
G BSPP

Port Size
06 3/4 Inch
08 1 Inch
10 1-1/4 Inch
12 1-1/2 Inch

Reduced Pressure Range
C 0-125 psig
D 0-250 psig

Options
Blank None
G Gauge
K Non-Relieving
X64† Fluorocarbon O-Rings and Diaphragm
X80† Reverse Flow

Engineering Level
/M2 Current

† Reverse flow for use downstream of control valves.

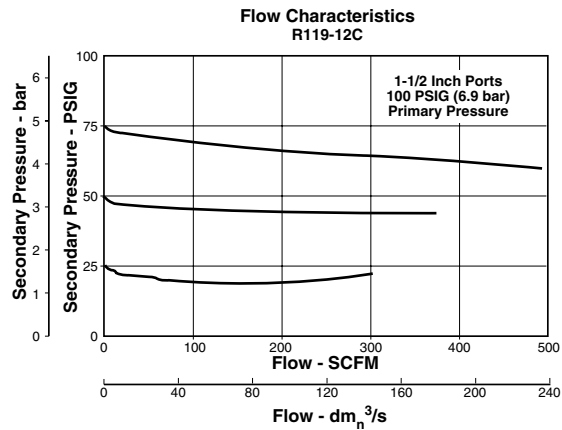
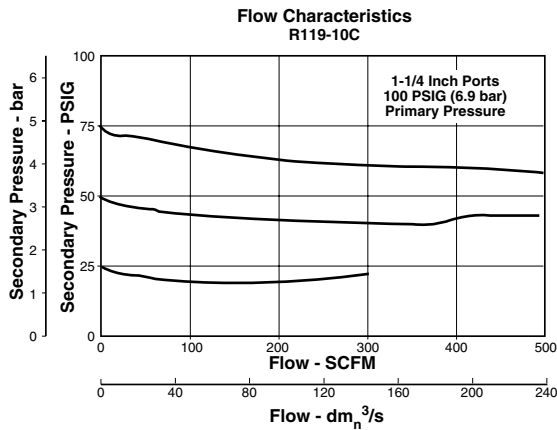
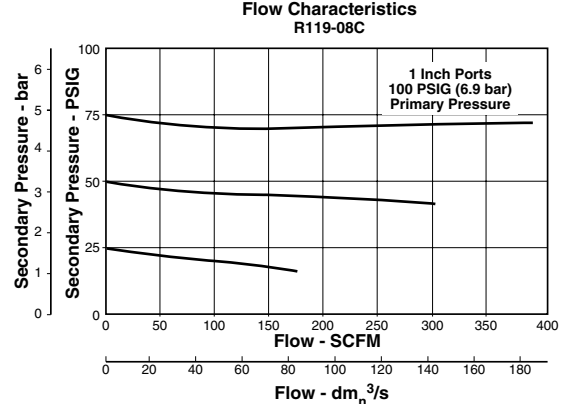
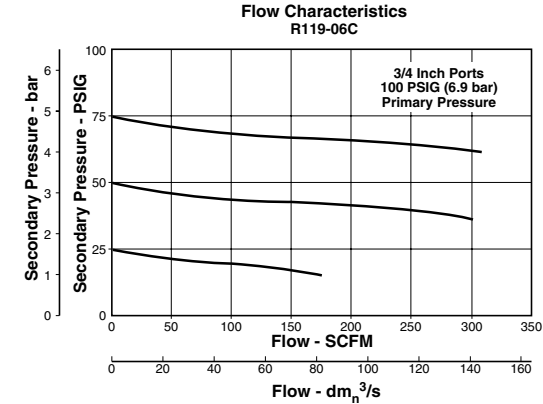
‡ Brass Bottom Plug Standard with X64 Option.

BOLD ITEMS ARE MOST POPULAR.



Technical Specifications – R119

Technical Information



CAUTION:

REGULATOR PRESSURE ADJUSTMENT –

The working range of knob adjustment is designed to permit outlet pressures within their full range. Pressure adjustment beyond this range is also possible because the knob is not a limiting device. This is a common characteristic of most industrial regulators, and limiting devices may be obtained only by special design.

For best performance, regulated pressure should always be set by increasing the pressure up to the desired setting.

R119 Regulator Kits & Accessories

Gauges – 2" Dial Face

- 60 psig (0 to 4.1 bar)..... K4520N14060
- 160 psig (0 to 11.0 bar).....K4520N14160
- 300 psig (0 to 20.0 bar)..... K4520N14300

1-3/4" Digital Round Face

- 160 psig (0 to 11.0 bar)..... K4517N14160D

Mounting Bracket Kit 18B57

Repair Kits –

- Non-Relieving Diaphragm,
Valve Assembly (3/4", 1") RK118B
- Non-Relieving Diaphragm,
Valve Assembly (1-1/4", 1-1/2") RK118D
- Relieving Diaphragm,
Valve Assembly (3/4", 1") RK119B
- Relieving Diaphragm,
Valve Assembly (1-1/4", 1-1/2") RK119D

For Fluorocarbon Repair Kits, add X64 to Kit Number suffix.

Specifications

- Gauge Ports (2) 1/4 Inch
- Port Threads 3/4, 1, 1-1/4, 1-1/2 Inch
- Reduced Pressure Range 2 to 125 psig (0.15 to 8.5 bar)
- Supply Pressure 300 psig Maximum (20.4 bar)
- Temperature Rating 40°F to 125°F (4.4°C to 52°C)
- Weight –
 - R119-06, R119-08 6.2 lb. (2.81 kg) / Unit
25 lb. (11.34 kg) / 4-Unit Master Pack
 - R119-10, R119-12 7.2 lb. (3.27 kg) / Unit
29 lb. (13.15 kg) / 4-Unit Master Pack

Materials of Construction

- Adjusting Screw, Springs Steel
- Body, Spring Cage Zinc
- Bottom Plug, Innervalve Brass
- Seals Buna N

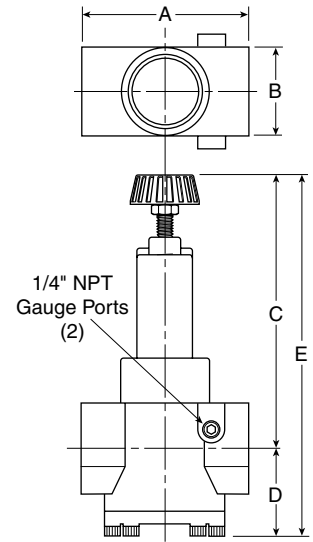


09R Regulators – Hi-Flow



Features

- Piston design for reduced downtime.
- High flow.
- Balanced poppet for quick and accurate regulation.
- Two full flow 1/4" gauge ports which can be used as additional outlets.
- Self relieving piston standard.
- High Flow: 2" – 1000 SCFM§



Port Size	NPT
Without Gauge	
2"	09R813BA

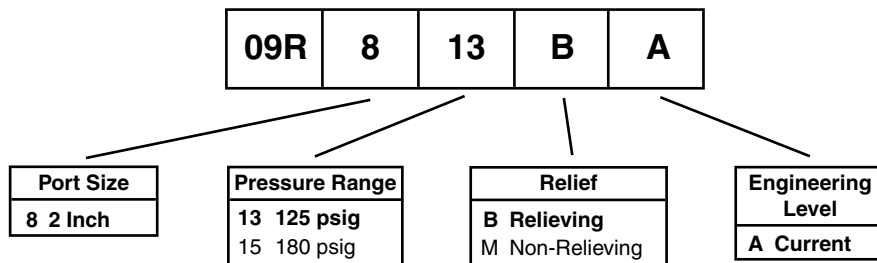
Standard part numbers shown bold. For other models refer to ordering information below.

§ SCFM = Standard cubic feet per minute at 100 psig inlet, 90 psig no flow secondary setting and 10 psig pressure drop.

09 Regulator Dimensions		
A	B	C
5.30 (135)	3.60 (91)	9.10 (231)
D	E	
2.80 (71)	11.90 (302)	

Inches (mm)

Ordering Information

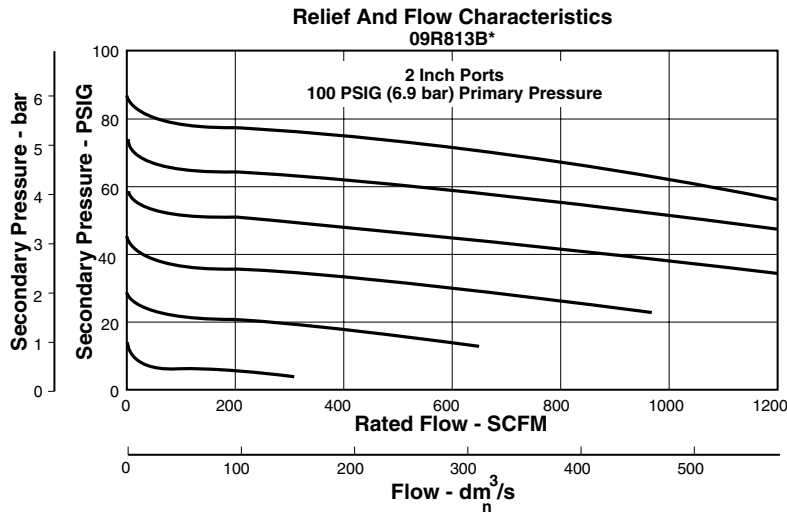


BOLD ITEMS ARE MOST POPULAR.

Product Selection
 Filters
 Coalescers
 Regulators
 Filter / Regulators
 Lubricators
 Combs
 Accessories

Technical Specifications – 09R

Technical Information



CAUTION:

REGULATOR PRESSURE ADJUSTMENT – The working range of knob adjustment is designed to permit outlet pressures within their full range. Pressure adjustment beyond this range is also possible because the knob is not a limiting device. This is a common characteristic of most industrial regulators, and limiting devices may be obtained only by special design.

For best performance, regulated pressure should always be set by increasing the pressure up to the desired setting.

⚠ WARNING

**Product rupture can cause serious injury.
Do not connect regulator to bottled gas.
Do not exceed maximum primary pressure rating.**

09R Regulator Kits & Accessories

- Body Service Kit PS603P
- Gauges – 2" Dial Face**
- 160 psig (0 to 11.0 bar)..... K4520N14160
- 300 psig (0 to 20.0 bar)..... K4520N14300
- 1-3/4" Digital Round Face**
- 160 psig (0 to 11.0 bar)..... K4517N14160D
- Mounting Bracket Kit..... PS605P
- Service Kit – Non-Relieving PS604P
- Relieving PS626P
- Springs – 0 to 125 psig Range PS602P
- 0 to 180 psig Range PS627

Specifications

- Gauge Ports (2) 1/4 Inch
(Can be used as additional Full Flow 1/4 Inch Outlet Ports)
- Port Threads 2 Inch
- Primary Pressure Rating –**
Maximum Primary Pressure 300 psig (17.2 bar)
- Secondary Pressure Range –** 10 to 125 psig (0.7 to 8.6 bar)
10 to 180 psig (0.7 to 12.4 bar)
- Temperature Rating 32°F to 150°F (0°C to 66°C)
- Weight 10.82 lb. (53 kg)

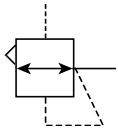
Materials of Construction

- Adjusting Stem & Springs Steel
- Body Zinc Alloy, Die Cast
- Bonnet, Piston Stem, Valve Poppet & Cap Aluminum
- Piston, Cap Plastic
- Seals Nitrile



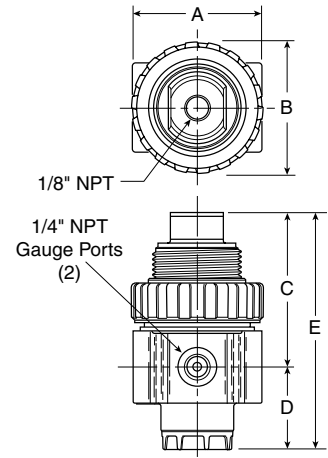
- C**
- Product Selection
- Filters
- Coalescers
- Regulators
- Filter / Regulators
- Lubricators
- Combos
- Accessories

10R Pilot Controlled Regulator – Economy



Features

- Unique balanced poppet valve minimizes secondary pressure fluctuations.
- Solid control piston with resilient seat for long, service-free operation.
- Easily serviced.
- High Flow: 1/4" – 50 SCFM[§]
 3/8" – 50 SCFM[§]



Port Size	NPT
Without Gauge	
1/4"	10R115PB
3/8"	10R215PB
With 160 PSI Gauge	
1/4"	10R121PB
3/8"	10R221PB

10R Pilot Regulator Dimensions		
A	B	C
2.00 (51)	2.06 (52)	2.43 (62)
D	E	
1.28 (32)	3.71 (94)	

Inches (mm)

Standard part numbers shown bold. For other models refer to ordering information below.

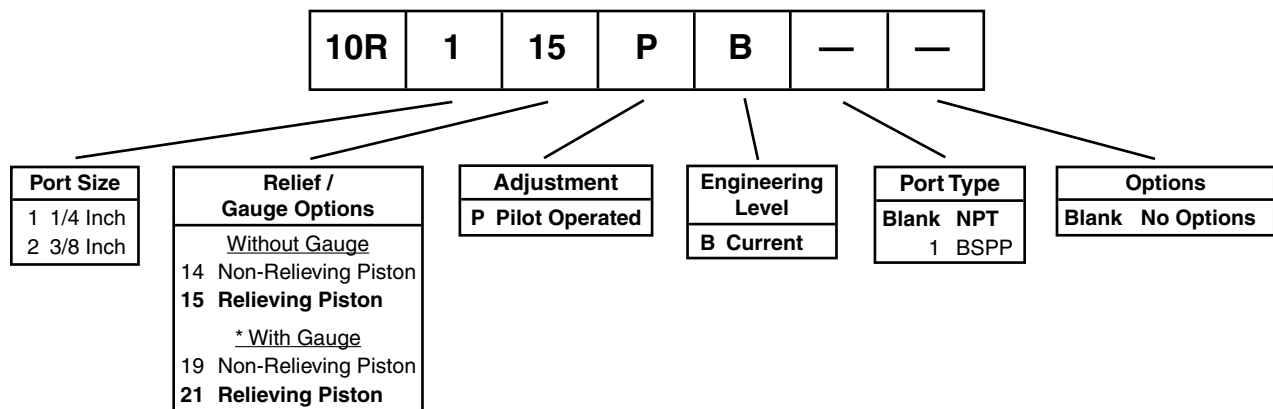
NOTE: 1.53 Dia. (39mm) hole required for panel mounting.

§ SCFM = Standard cubic feet per minute at 100 psig inlet, 90 psig no flow secondary setting and 10 psig pressure drop.

⚠ WARNING

**Product rupture can cause serious injury.
 Do not connect regulator to bottled gas.
 Do not exceed maximum primary pressure rating.**

Ordering Information



* Includes 1-1/2" Dial Face Gauge 0 to 160 psig

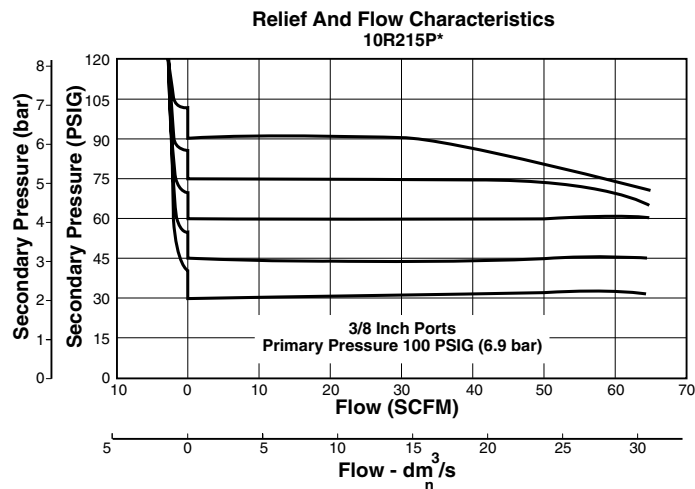
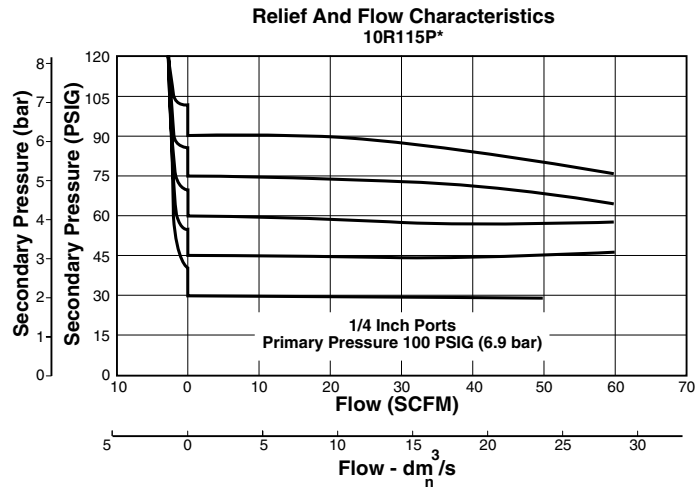
BOLD ITEMS ARE MOST POPULAR.



Product Selection
 Filters
 Coalescers
 Regulators
 Filter / Regulators
 Lubricators
 Combs
 Accessories

Technical Specifications – 10R

Technical Information



10R Pilot Regulator Kits & Accessories

- Gauges – 1-1/2" Dial Face
 - 30 psig (0 to 2.1 bar).....K4515N14030
 - 60 psig (0 to 4.1 bar).....K4515N14060
 - 160 psig (0 to 11.0 bar)..... K4515N14160
 - 300 psig (0 to 20.0 bar).....K4515N14300
- 2" Dial Face
 - 60 psig (0 to 4.1 bar)..... K4520N14060
 - 160 psig (0 to 11.0 bar).....K4520N14160
 - 300 psig (0 to 20.0 bar)..... K4520N14300
- Mounting Bracket Kit..... PS963P
- Panel Mount Nut – Metal PS964P
- Pilot Conversion Kit PS945P
- Service Kits – Relieving..... PS94900P
- Non-Relieving PS94700P

Specifications

- Gauge Ports (2) 1/4 Inch
- Port Threads 1/4, 3/8 Inch
- Pressure & Temperature Rating – 0 to 250 psig (0 to 17.2 bar)
32°F to 175°F (0°C to 80°C)
- Weight 0.90 lb. (0.41 kg)

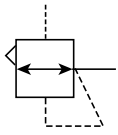
Materials of Construction

- Body Zinc
- Piston & Poppet Plastic
- Seals Nitrile
- Spring – Poppet Steel

C	Product Selection
	Filters
	Coalescers
	Regulators
	Filter / Regulators
	Lubricators
	Compos
	Accessories

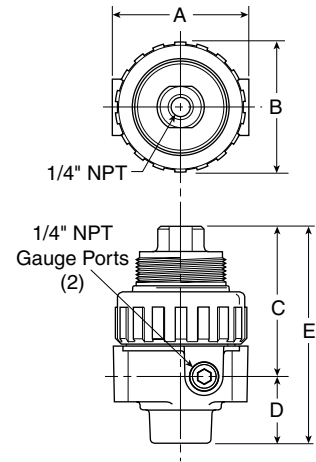


11R Pilot Controlled Regulator – Compact



Features

- Balanced poppet provides quick response and accurate pressure regulation.
- Pilot controlled regulators can be mounted “out of reach” with pilot regulator installed in a convenient location.
- Solid control piston for extended life.
- Two full flow 1/4" gauge ports can be used as additional outlets.
- Pilot port 1/4 Inch.
- High Flow: 1/4" – 85 SCFM§
 3/8" – 95 SCFM§
 1/2" – 95 SCFM§



Port Size	NPT
Without Gauge	
1/4"	11R115PB
3/8"	11R215PB
1/2"	11R315PB
With 160 PSI Gauge	
1/4"	11R121PB
3/8"	11R221PB
1/2"	11R321PB

11R Pilot Regulator Dimensions		
A	B	C
2.81 (71)	2.74 (70)	3.05 (77)
D	E	
1.39 (35)	4.44 (113)	

Inches (mm)

Standard part numbers shown bold. For other models refer to ordering information below.

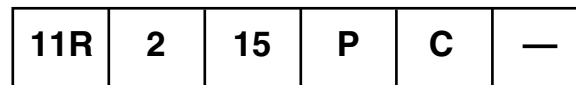
NOTE: 2.00 Dia. (50,8mm) hole required for panel mounting.

§ SCFM = Standard cubic feet per minute at 100 psig inlet, 90 psig no flow secondary setting and 10 psig pressure drop.

⚠ WARNING

**Product rupture can cause serious injury.
 Do not connect regulator to bottled gas.
 Do not exceed maximum primary pressure rating.**

Ordering Information



Port Size
1 1/4 Inch
2 3/8 Inch
3 1/2 Inch

Relief / Gauge Options
<u>Without Gauge</u>
14 Non-Relieving Piston
15 Relieving Piston
<u>* With Gauge</u>
19 Non-Relieving Piston
21 Relieving Piston

* Includes 2" Dial Face Gauge 0 to 300 psig

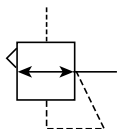
Adjustment
P Pilot Operated

Engineering Level
C Current

Port Type
Blank NPT
1 BSPP

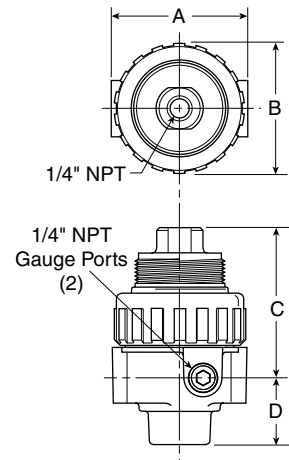
BOLD ITEMS ARE MOST POPULAR.

12R Pilot Controlled Regulator – Standard



Features

- Balanced poppet provides quick response and accurate pressure regulation.
- Pilot controlled regulators can be mounted “out of reach” with pilot regulator installed in a convenient location.
- Solid control piston for extended life.
- Two full flow 1/4" gauge ports can be used as additional outlets.
- Pilot port 1/4 Inch.
- High Flow: 1/2" – 140 SCFM[§]
 3/4" – 140 SCFM[§]



Port Size	NPT
Without Gauge	
1/2"	12R315PB
3/4"	12R415PB
With 160 PSI Gauge	
1/2"	12R321PB
3/4"	12R421PB

12R Pilot Regulator Dimensions		
A	B	C
3.24 (82)	2.74 (70)	3.15 (80)
D	E	
1.61 (41)	4.76 (121)	

Inches (mm)

Standard part numbers shown bold. For other models refer to ordering information below.

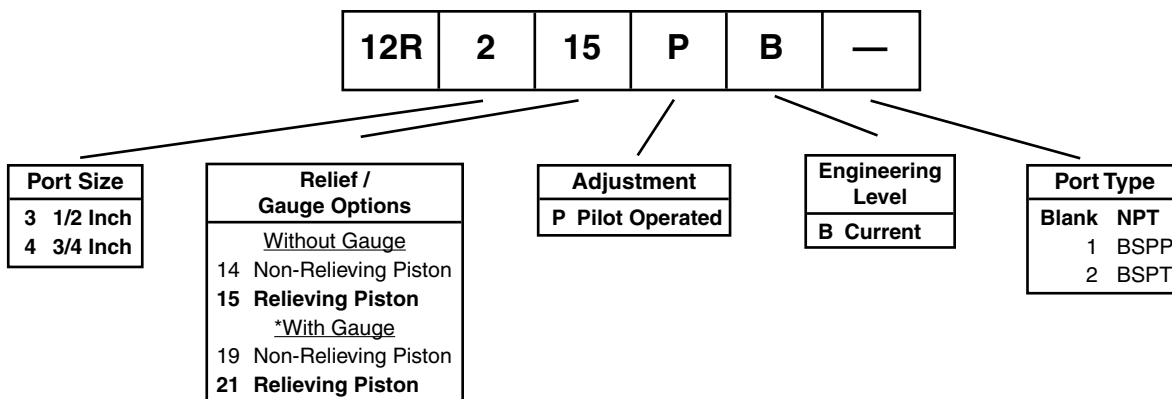
NOTE: 2.00 Dia. (50,8mm) hole required for panel mounting.

§ SCFM = Standard cubic feet per minute at 100 psig inlet, 90 psig no flow secondary setting and 10 psig pressure drop.

⚠ WARNING

**Product rupture can cause serious injury.
 Do not connect regulator to bottled gas.
 Do not exceed maximum primary pressure rating.**

Ordering Information

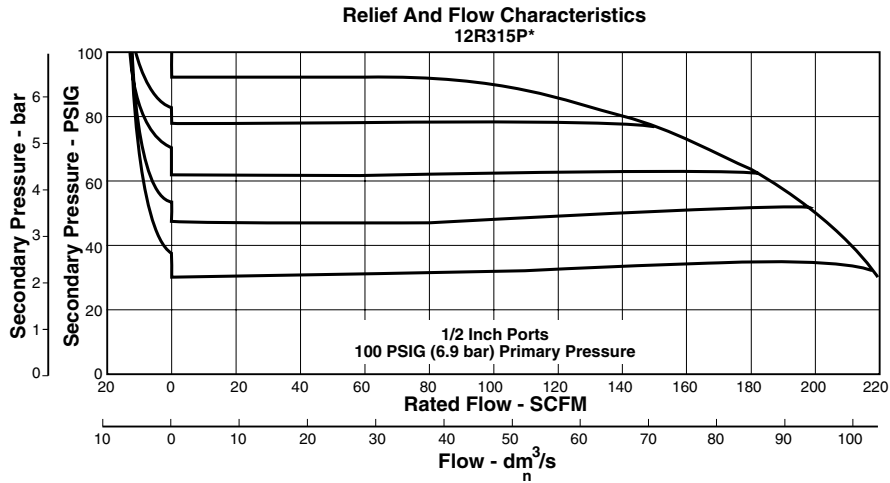


* Includes 2" Dial Face Gauge 0 to 300 psig

BOLD ITEMS ARE MOST POPULAR.

Technical Specifications – 12R

Technical Information



12R Pilot Regulator Kits & Accessories

Body Service Kits – Seat Insert Kit PS813P

Gauges – 2" Dial Face

- 60 psig (0 to 4.1 bar)..... K4520N14060
- 160 psig (0 to 11.0 bar).....K4520N14160
- 300 psig (0 to 20.0 bar)..... K4520N14300

1-3/4" Digital Round Face

- 160 psig (0 to 11.0 bar)..... K4517N14160D

Mounting Bracket Kit (Includes Panel Mount Nut)..... PS807P

Panel Mount Nut – PlasticP04082
Metal P04079B

Pilot Conversion Kit – Relieving..... PS745P

Service Kits – Non-Relieving PS847P
RelievingPS849P

Specifications

Gauge Ports (2) 1/4 Inch
 (Can be used as additional Full Flow 1/4 Inch Outlet Ports)

Port Threads.....1/2, 3/4 Inch

Pressure & Temperature Rating –..... 0 to 250 psig (0 to 17.2 bar)
 32°F to 175°F (0°C to 80°C)

Weight 2.0 lb. (0.91 kg)

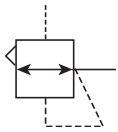
Materials of Construction

- Body & Pilot Cap**..... Zinc
- Piston, Valve Poppet, & Collar** Plastic
- Seals**.....Nitrile
- Springs**.....Steel

C
Product Selection
Filters
Coalescers
Regulators
Filter / Regulators
Lubricators
Combos
Accessories

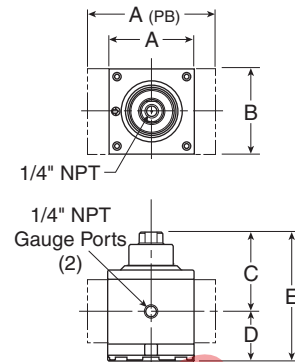


P3NR Pilot Controlled Regulator - Hi-Flow



Features

- Port blocks (PB) available to provide 1-1/2" port extension to 1" ported bodies.
- Self relieving feature plus balanced poppet provides quick response and accurate pressure regulation.
- Solid control piston for extended life.
- High Flow: 3/4" – 300 SCFM[§]
 1" – 300 SCFM[§]
 1-1/2" – 350 SCFM[§]



Port Size	NPT
Without Gauge	
3/4"	P3NRA96BPP
1"	P3NRA98BPP
1-1/2" #	P3NRA9PBPP
With 160 PSI Gauge	
3/4"	P3NRA96BPG
1"	P3NRA98BPG
1-1/2" #	P3NRA9PBPG

A	A ^(PB)	B
3.62 (92)	5.91 (150)	3.62 (92)
C	D	E
3.38 (86)	2.08 (53)	5.46 (139)

Inches (mm)

Standard part numbers shown bold. For other models refer to ordering information below.

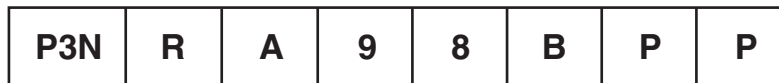
1" Port Body with 1-1/2" Port Block.

§ SCFM = Standard cubic feet per minute at 100 psig inlet, 90 psig setting and 10 psig pressure drop.

⚠ WARNING

Product rupture can cause serious injury.
 Do not connect regulator to bottled gas.
 Do not exceed maximum primary pressure rating.

Ordering Information



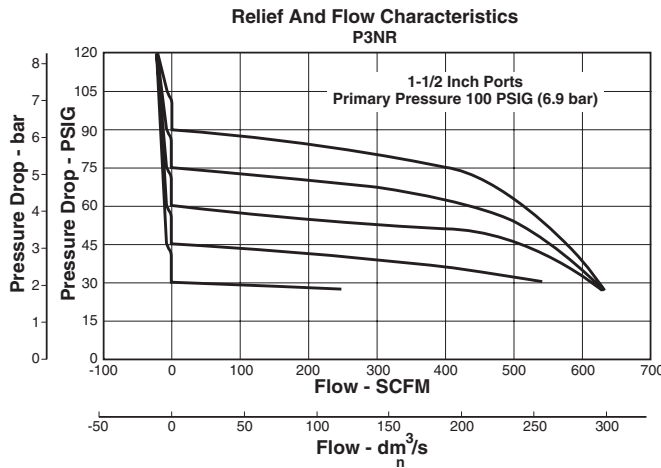
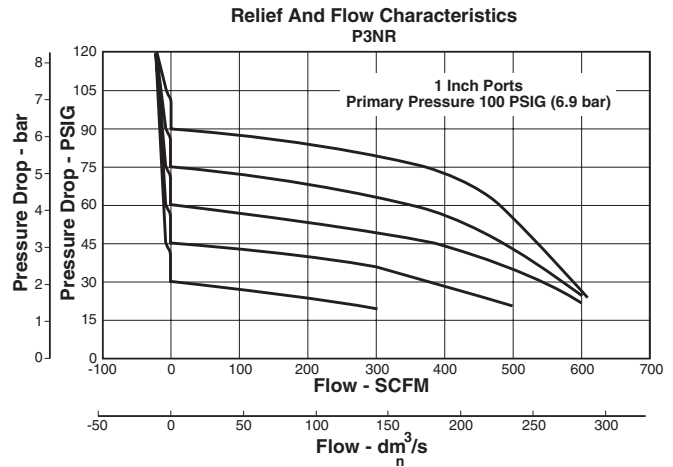
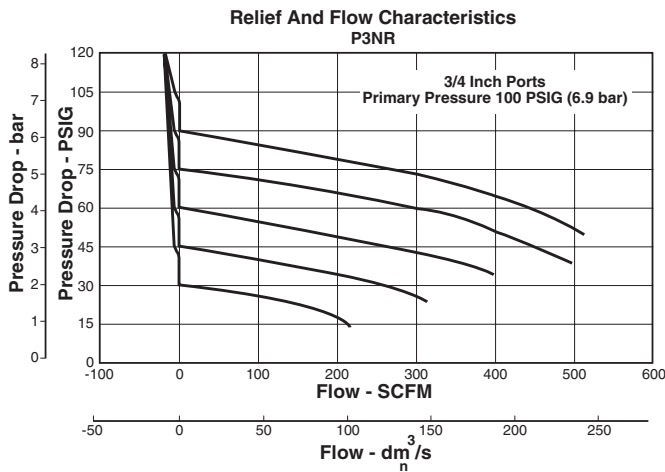
Engineering Level A Current	Port Type 1 G Thread (BSPP) Female 2 Rc Thread (BSPT) Female 9 NPT Female	Port Size 6 3/4" (w/o Port Blocks) 8 1" (w/o Port Blocks) P 1-1/2" Port Blocks (w/ 1" Ported Body)	Relief B Relieving N Non-Relieving	Adjustment P Pilot Operated	Pressure Gauge Without Gauge P Pilot Operator With Gauge M 60 PSI (0 to 4 bar) G 125 PSI (0 to 8 bar) J 250 PSI (0 to 17 bar)
---------------------------------------	---	--	---	---------------------------------------	---

Note: BSPP ported units supplied using NPT ported bodies and BSPP port block kits.

BOLD ITEMS ARE MOST POPULAR.

Technical Specifications – P3NR

Technical Information



P3NR Pilot Regulator Kits & Accessories

Gauges – 2" Dial Face

- 60 psig (0 to 4.1 bar) K4520N14060
- 160 psig (0 to 11.0 bar) K4520N14160
- 300 psig (0 to 20.0 bar) K4520N14300

1-3/4" Digital Round Face

- 160 psig (0 to 11.0 bar) K4517N14160D

Mounting Bracket Kit* P3NKA00MW

Service Kit – Relieving..... P3NKA00PD

Specifications

- Gauge Ports (2)** 1/4 Inch
- Port Threads** 3/4, 1, 1-1/2 Inch
- Primary Pressure Rating –**
Maximum Primary Pressure 250 psig (17.2 bar) Max.
- Temperature Rating** 32°F to 175°F (0°C to 80°C)
- Weight –** 3/4" 3.3 lb. (1.5 kg)
1" 3.3 lb. (1.5 kg)
1-1/2" † 4.4 lb. (2.0 kg)

Materials of Construction

- Adjusting Stem** Steel
- Body** Aluminum
- Bonnet** Aluminum
- Piston** Plastic
- Poppet Assembly** Brass
- Seals** Nitrile
- Springs – Poppet** Steel

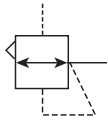
* If 1-1/2 BSSP E02 fittings are required, use P3NKA0BMW.

† 1" Port Body with 1-1/2" Port Block.



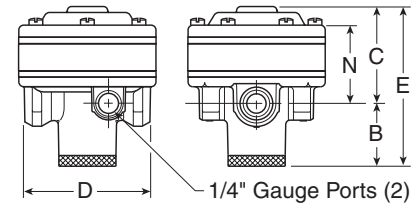
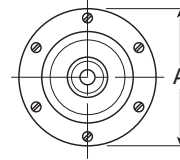
Product Selection
Filters
Coalescers
Regulators
Filter / Regulators
Lubricators
Compos
Accessories

R119 – Pilot Operated Regulators



Features

- Adapted for control by a remote or distant small pilot regulator. Ideal for maximum capacity requirements in applications where units are not readily accessible
- High flow performance featuring rugged design for the most demanding applications
- Ideal for those installations calling for constant pressure with wide variation in flow
- Diaphragm operated design with balanced poppet and constant bleed pilot for quick and accurate regulation.
- Secondary aspiration plus balanced poppet provides quick response and accurate pressure regulation
- Reverse flow available
- High flow: 1/4" - 100 SCFM[§]
 3/8" - 110 SCFM[§]
 1/2" - 150 SCFM[§]



R119 Regulator Dimensions					
A	B	C	D	E	N
R119-02J, R119-03J					
3.00 (76)	1.38 (35)	1.98 (50)	2.74 (70)	3.55 (90)	1.57 (40)
R119-04J					
3.56 (90)	1.56 (40)	2.33 (59)	3.25 (83)	3.90 (99)	1.91 (49)

inches (mm)

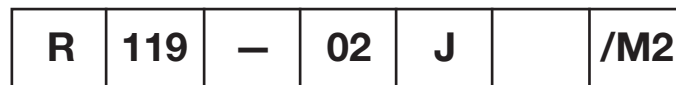
Port Size	NPT Relieving	BSPP Relieving
Without Gauge 0-125 PSIG Reduced Pressure		
1/4"	R119-02J/M2	R119G02J
3/8"	R119-03J/M2	R119G03J
1/2"	R119-04J/M2	R119G04J

Standard part numbers shown bold.
 For other models refer to ordering information below.

§ SCFM = Standard Cubic Feet Per Minute at 100 PSIG Inlet, 75 PSIG No Flow Secondary Setting, and 20 PSIG Pressure Drop.

⚠ WARNING
 Do not connect regulator to bottled gas.
 Do not exceed maximum primary pressure rating.
 Product rupture can cause serious injury.

Ordering Information



Port Threads
- NPT
G BSPP

Port Size
02 1/4 Inch
03 3/8 Inch
04 1/2 Inch

Reduced Pressure Range
J Air Pilot Operated

Options
K Non-Relieving
X64* Fluorocarbon O-Rings and Diaphragm
X71 Non-Bleed Pilot (For use with Electronic Controllers)
X7 Brass Bottom Plug

Engineering Level
/M2 Current

* Brass Bottom Plug Standard with X64 Option.

BOLD ITEMS ARE MOST POPULAR.

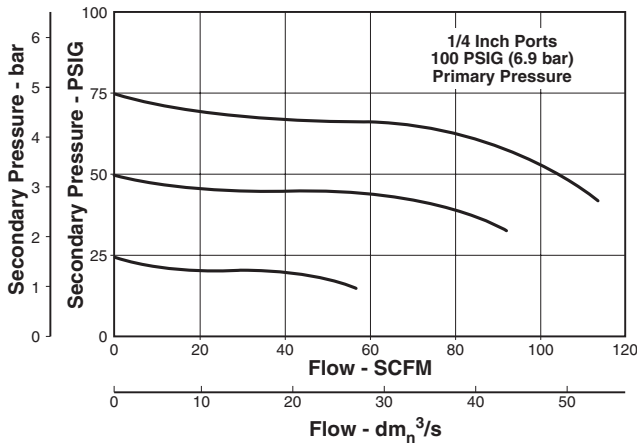


C
 Product Selection
 Filters
 Coalescers
 Regulators
 Filter / Regulators
 Lubricators
 Combs
 Accessories

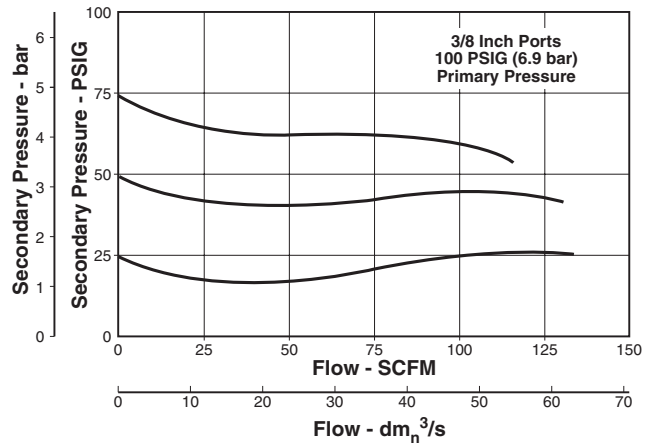
Technical Specifications – R119

Technical Information

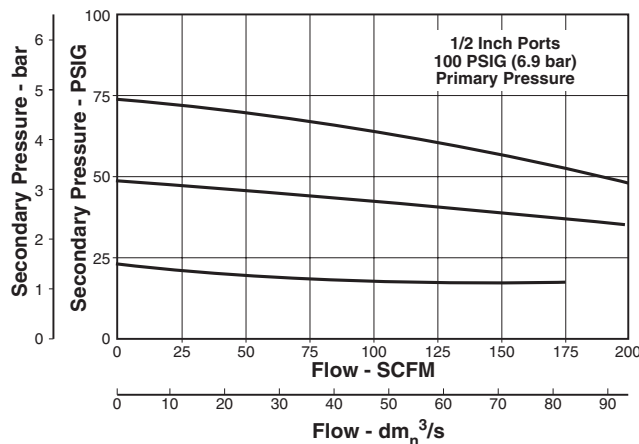
Flow Characteristics
R119-02J



Flow Characteristics
R119-03J



Flow Characteristics
R119-04J



R119 Regulator Kits & Accessories

Gauges – 2" Dial Face

- 60 psig (0 to 4.1 bar)..... K4520N14060
- 160 psig (0 to 11.0 bar)..... K4520N14160
- 300 psig (0 to 20.0 bar)..... K4520N14300

1-3/4" Digital Round Face

- 160 psig (0 to 11.0 bar).....K4517N14160D

Repair Kits –

- Non-Relieving Diaphragm,
Valve Assembly (1/2")RK118X20A
- Non-Relieving Diaphragm,
Valve Assembly (1/4", 3/8")RK118X20Y
- Relieving Diaphragm,
Valve Assembly (1/2")RK119X20A
- Relieving Diaphragm,
Valve Assembly (1/4", 3/8")RK119X20Y

For Fluorocarbon Repair Kits, add X64 to Kit Number suffix.

For Non-Bleed Pilot Repair Kits, add X71 to Kit Number suffix.

Specifications

- Gauge Ports (2) 1/4 Inch
- Port Threads 1/4, 3/8, 1/2 Inch
- Pilot Port –
1/4 & 3/8" Threads..... 1/8"
1/2" Threads 1/4"
- Reduced Pressure Range –
Adjustable to within 5 to 7 PSIG of Supply Pressure
- Supply Pressure300 PSIG Maximum (20.4 bar)
- Air Consumption –
Constant bleed from air pilot chamber: approx. 0.17 SCFM (10 SCFH)
- Temperature Rating40°F to 125°F (4.4°C to 52°C)
- Weight –
R119-02J, R119-03J 1.6 lb. (0.73 kg) / Unit
19 lb. (8.62 kg) / 12-Unit Master Pack
R119-04J 2.6 lb. (1.18 kg) / Unit
21 lb. (9.53 kg) / 8-Unit Master Pack

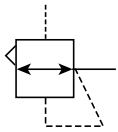
Materials of Construction

- Body, Ring, Top PlateZinc
- Bottom Plug Nylon
- Innervalve Brass
- Seals Buna N

- Product Selection
- Filters
- Coalescers
- Regulators
- Filter / Regulators
- Lubricators
- Compos
- Accessories

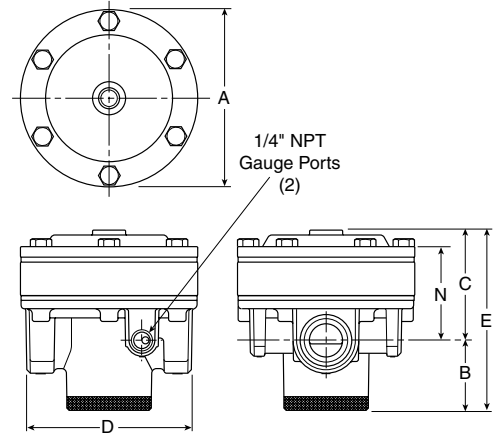


R119 Pilot Operated Regulators - Hi-Flow



Features

- Adapted for control by a remote or distant small pilot regulator. Ideal for maximum capacity requirements in applications where units are not readily accessible.
- High flow performance featuring rugged design for the most demanding applications.
- Ideal for those installations calling for constant pressure with wide variation in flow.
- Diaphragm operated design with balanced poppet and constant bleed pilot for quick and accurate regulation.
- Secondary aspiration plus balanced poppet provides quick response and accurate pressure regulation.
- Reverse flow version available.
- High Flow: 3/4" & 1" – 300 SCFM[§]
 1-1/4" & 1-1/2" – 500 SCFM[§]



R119-06J, R119-08J Pilot Regulator Dimensions					
A	B	C	D	E	N
4.72 (120)	1.87 (47)	2.94 (75)	4.38 (111)	4.81 (122)	2.47 (63)
R119-10J, R119-12J Pilot Regulator Dimensions					
A	B	C	D	E	N
4.94 (125)	1.81 (46)	3.32 (84)	4.94 (125)	5.13 (130)	2.88 (73)

inches (mm)

Port Size	NPT
	Relieving
Without Gauge 0-125 psig Reduced Pressure	
3/4"	R119-06J/M2
1"	R119-08J/M2
1-1/4"	R119-10J/M2
1-1/2"	R119-12J/M2

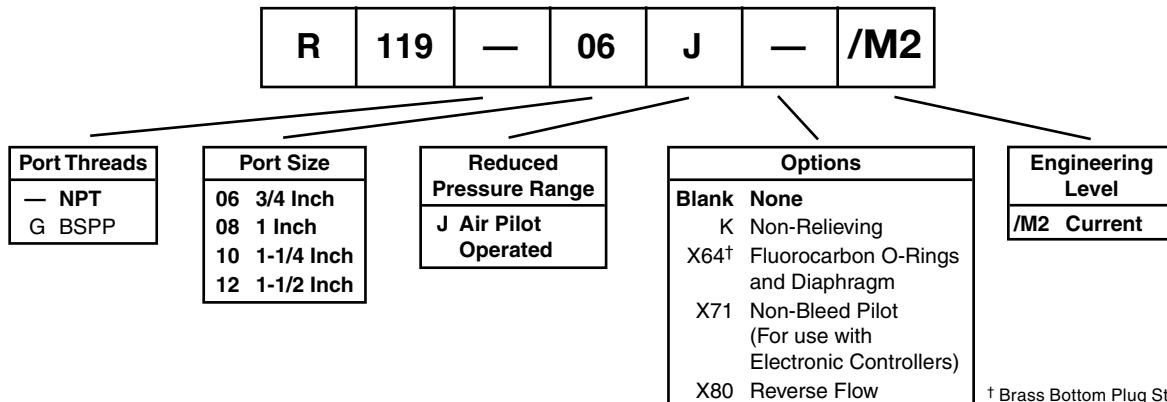
Standard part numbers shown bold. For other models refer to ordering information below.

§ SCFM = Standard Cubic Feet Per Minute at 100 psig Inlet, 75 psig No Flow Secondary Setting, and 20 psig Pressure Drop.

⚠ WARNING

**Product rupture can cause serious injury.
 Do not connect regulator to bottled gas.
 Do not exceed maximum primary pressure rating.**

Ordering Information



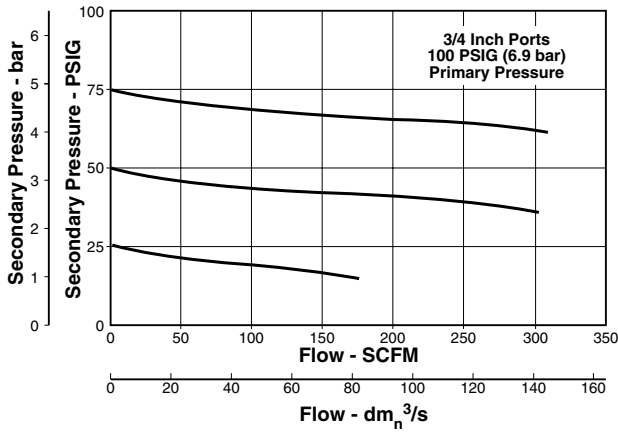
† Brass Bottom Plug Standard with X64 Option.

BOLD ITEMS ARE MOST POPULAR.

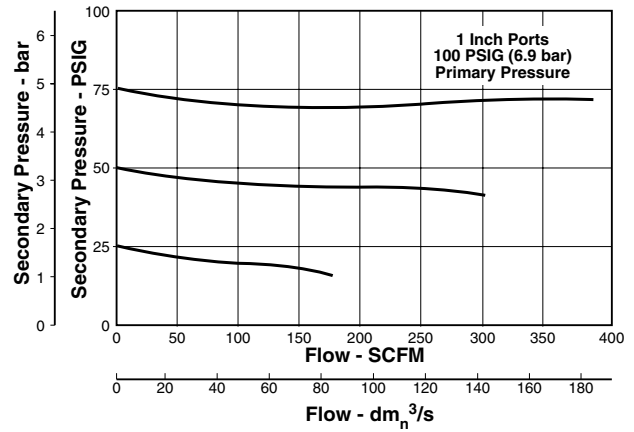
Technical Specifications – R119

Technical Information

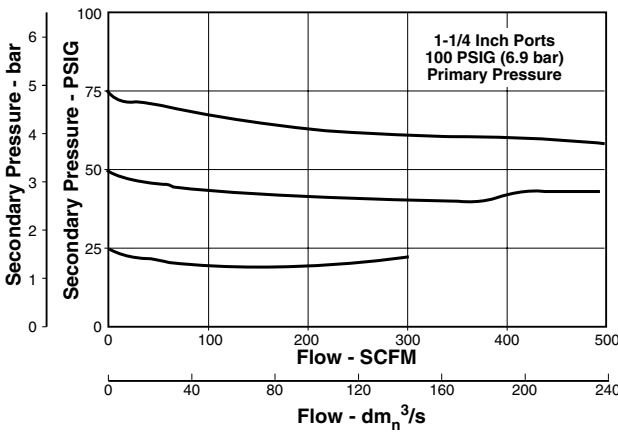
Flow Characteristics
R119-06J



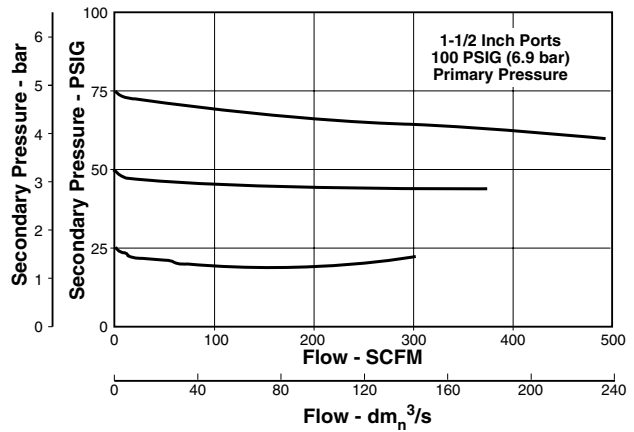
Flow Characteristics
R119-08J



Flow Characteristics
R119-10J



Flow Characteristics
R119-12J



R119 Regulator Kits & Accessories

Gauges – 2" Dial Face

- 60 psig (0 to 4.1 bar)..... K4520N14060
- 160 psig (0 to 11.0 bar).....K4520N14160
- 300 psig (0 to 20.0 bar)..... K4520N14300

1-3/4" Digital Round Face

- 160 psig (0 to 11.0 bar)..... K4517N14160D

Repair Kits –

- Non-Relieving Diaphragm,
Valve Assembly (3/4", 1") RK118X20B
- Non-Relieving Diaphragm,
Valve Assembly (1-1/4", 1-1/2") RK118X20D
- Relieving Diaphragm,
Valve Assembly (3/4", 1") RK119X20B
- Relieving Diaphragm,
Valve Assembly (1-1/4", 1-1/2") RK119X20D

For Fluorocarbon Repair Kits, add X64 to Kit Number suffix.

Specifications

- Gauge Ports (2) 1/4 Inch
- Port Threads 3/4, 1, 1-1/4, 1-1/2 Inch
- Reduced Pressure Range –
Adjustable to Within 5 to 7 psig of Supply Pressure
- Supply Pressure 300 psig Maximum (20.4 bar)
- Air Consumption –
Constant Bleed from Air Pilot Chamber:
Approximately 0.17 SCFM (10 SCFH)
- Temperature Rating 40°F to 125°F (4.4°C to 52°C)
- Weight –
R119-06J, R119-08J 5.2 lb. (2.36 kg) / Unit
42 lb. (19.05 kg) / 8-Unit Master Pack
R119-10J, R119-12J 5.6 lb. (2.54 kg) / Unit
46 lb. (20.87 kg) / 8-Unit Master Pack

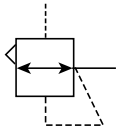
Materials of Construction

- Body, Ring, Top PlateZinc
- Bottom Plug, Innervale Brass
- Seals Buna N



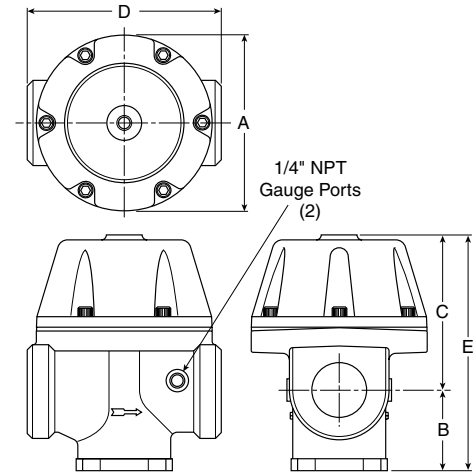
C	Product Selection
Filters	Coalescers
Regulators	Filter / Regulators
Lubricators	Compos
Accessories	

R119 Pilot Operated Regulators - Hi-Flow



Features

- Adapted for control by a remote or distant small pilot regulator. Ideal for maximum capacity requirements in applications where units are not readily accessible.
- High flow performance featuring rugged design for the most demanding applications.
- Ideal for those installations calling for constant pressure with wide variation in flow.
- Piston operated design with balanced poppet and dual constant bleed for quick and accurate regulation.
- High Flow: 2" & 2-1/2" – 1800 SCFM[§]



Port Size	NPT
	Relieving
Without Gauge 0-125 psig Reduced Pressure	
2"	R119-16J
2-1/2"	R119-20J

R119-16J, R119-20J Pilot Regulator Dimensions				
A	B	C	D	E
6.63 (168)	3.09 (79)	7.78 (147)	7.31 (185)	10.87 (276)
inches (mm)				

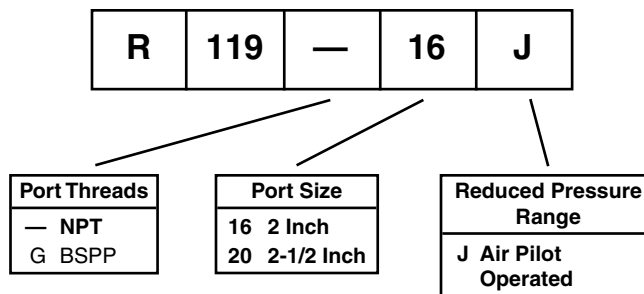
Standard part numbers shown bold. For other models refer to ordering information below.

§ SCFM = Standard Cubic Feet Per Minute at 100 psig Inlet, 75 psig No Flow Secondary Setting, and 20 psig Pressure Drop.

⚠ WARNING

**Product rupture can cause serious injury.
 Do not connect regulator to bottled gas.
 Do not exceed maximum primary pressure rating.**

Ordering Information

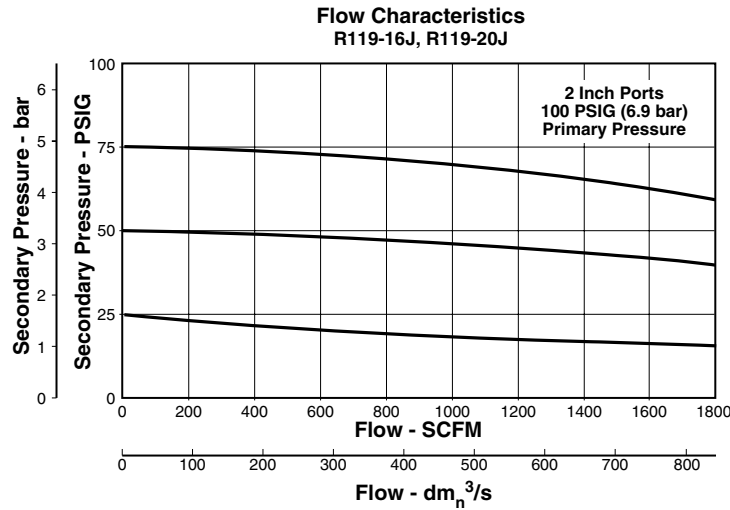


NOTE: Non-Relieving Not Available.

BOLD ITEMS ARE MOST POPULAR.

Product Selection
 Filters
 Coalescers
 Regulators
 Filter / Regulators
 Lubricators
 Combs
 Accessories

Technical Information



R119 Regulator Kits & Accessories

Gauges – 2" Dial Face

- 60 psig (0 to 4.1 bar)..... K4520N14060
- 160 psig (0 to 11.0 bar).....K4520N14160
- 300 psig (0 to 20.0 bar)..... K4520N14300

1-3/4" Digital Round Face

- 160 psig (0 to 11.0 bar)..... K4517N14160D

Repair Kits –

- Piston Type Regulation (2", 2-1/2") RK119G

Specifications

- Gauge Ports (2)** 1/4 Inch
(Can be used for Full Flow)
- High Pressure Outlet for Pilot (Not seen in photo) 1/4 Inch
- Port Threads**2, 2-1/2 Inch
- Reduced Pressure Range –**
Adjustable to Within 5 to 7 psig of Supply Pressure
- Supply Pressure** 300 psig Maximum (20.4 bar)
- Air Consumption –**
Constant Bleed from Air Pilot Chamber:
Approximately 0.17 SCFM (10 SCFH)
Constant Bleed from Reduced Pressure:
Approximately 0.17 SCFM (10 SCFH)
- Temperature Rating** 40°F to 120°F (4.4°C to 48.9°C)
- Weight –**
R119-16J, R119-20J 15 lb. (6.80 kg) / Unit
15 lb. (6.80 kg) / 1-Unit Master Pack

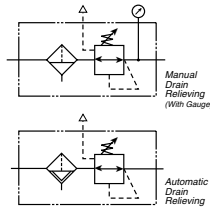
Materials of Construction

- Body, Piston** Aluminum
- Seals** Buna N
- Internvalve** Brass & Stainless

- Product Selection
- Filters
- Coalescers
- Regulators
- Filter / Regulators
- Lubricators
- Combos
- Accessories

Filter / Regulators

- Pipe Sizes 1/8 thru 1-1/2 Inch
- Flows to 200 SCFM
- Pressures to 250 psig



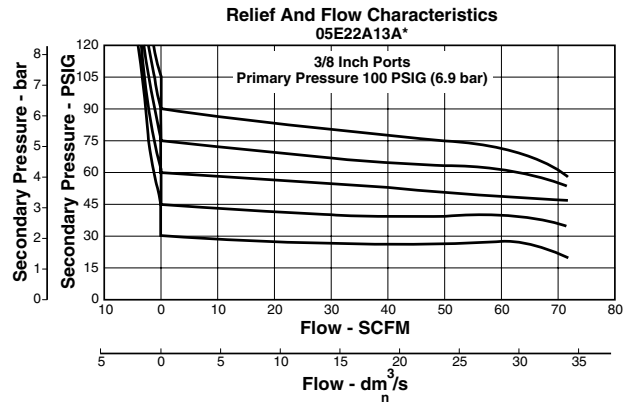
Integral Filter / Regulators are an excellent choice where accurate pressure regulation and high moisture removal efficiency are required in a space saving package.

- Miniature 14E Series, 1/8 and 1/4 Inch
- Miniature B34 Series, 1/8 and 1/4 Inch
- Economy 05E Series, 1/4 and 3/8 Inch
- Compact 06E Series, 1/4, 3/8 and 1/2 Inch
- Standard 07E Series, 3/8, 1/2 and 3/4 Inch
- Hi-Flow P3NE Series, 3/4, 1 and 1-1/2 Inch
- Standard / Coalescing 12E Series, 3/8, 1/2 and 3/4 Inch

Filter / Regulator Selection

1. Determine maximum system flow requirements.
2. Determine maximum allowable pressure drop at rated flow in SCFM.
3. Refer to flow chart and select filter/regulator by choosing the curve that offers minimum pressure drop at desired flow in SCFM.

Reading Flow Charts to Size Filter / Regulators



Once the required flow is determined for a pneumatic application the regulator or filter/regulator can be selected by using the flow chart. The chart serves two different purposes. To read the flow, use the right side of the chart. To read the relief characteristics use the left side of the chart. When reading the flow chart, first determine the secondary pressure that will be used. Find the appropriate pressure curve on the graph. Given an acceptable pressure drop for an application, follow the flow curve until it intersects the pressure drop point. This will give the flow at that particular pressure drop.

WARNING

**Product rupture can cause serious injury.
 Do not connect regulator to bottled gas.
 Do not exceed maximum primary pressure rating.**

CAUTION:

REGULATOR PRESSURE ADJUSTMENT – The working range of knob adjustment is designed to permit outlet pressures within their full range. Pressure adjustment beyond this range is also possible because the knob is not a limiting device. This is a common characteristic of most industrial regulators, and limiting devices may be obtained only by special design.

For best performance, regulated pressure should always be set by increasing the pressure up to the desired setting.



Product Selection

Filters

Coalescers

Regulators

Filter / Regulators

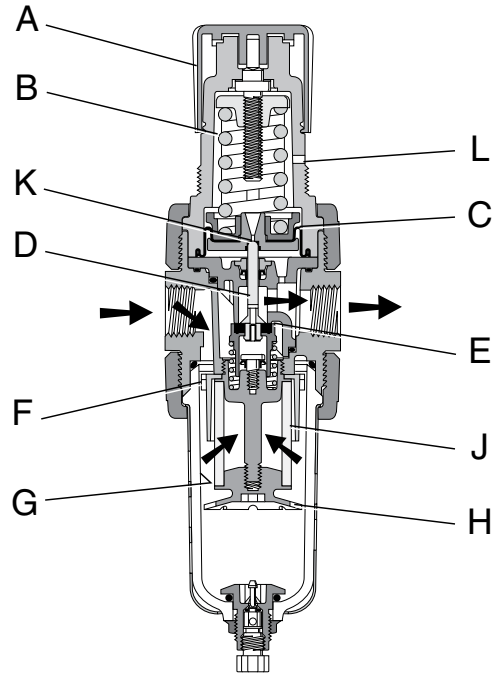
Lubricators

Combs

Accessories

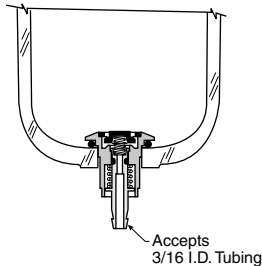
Filter / Regulator

Turning the knob (A) clockwise applies a load to control spring (B) which forces the piston/diaphragm (C) and valve poppet assembly (D) to move downward allowing filtered air to flow through the seat area (E) created between the poppet assembly and the seat. "First stage filtration" begins when air pressure supplied to the inlet port is directed through deflector plate (F) causing a swirling centrifugal action forcing liquids and coarse particles to the inner bowl wall (G) and down below the lower baffle (H) to the quiet zone. After liquids and large particles are removed in the first stage of filtration "second stage filtration" occurs as air flows through element (J) where smaller particles are filtered out and retained. The air flow now passes through seat area (E) to the outlet port of the unit. Pressure in the downstream line is sensed below the piston/diaphragm (C) and offsets the load of control spring (B). When downstream pressure reaches the set-point, poppet valve assembly (D) and piston/diaphragm (C) move upward closing seat area (E). Should downstream pressure exceed the desired regulated pressure, the excess pressure will cause the piston/diaphragm (C) to move upward opening vent hole (K) venting the excess pressure to atmosphere through the hole in the bonnet (L). (This occurs in the standard relieving type regulator only.)



C	Product Selection
	Filters
	Coalescers
	Regulators
	Filter / Regulators
	Lubricators
	Combos
	Accessories

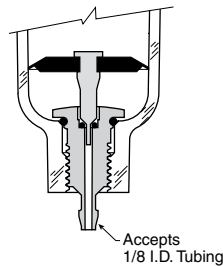
Semi Automatic Drain



(Overnight Drain)

This drain offers a semi-automatic function when there is a differential pressure in the filter which occurs when system pressure is shut off. The drain can also be used manually by gripping it with your fingertips and pushing upward.

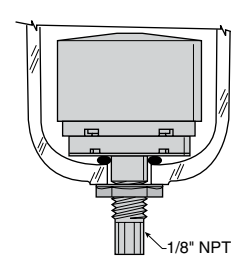
Automatic Pulse Drain



(Spitter Drain)

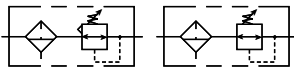
The diaphragm in this drain pulses when there is a pressure differential such as a valve cycling or cylinder stroking downstream. This action flexes the diaphragm and allows the filter to drain the entrapped water.

Automatic Float Drain



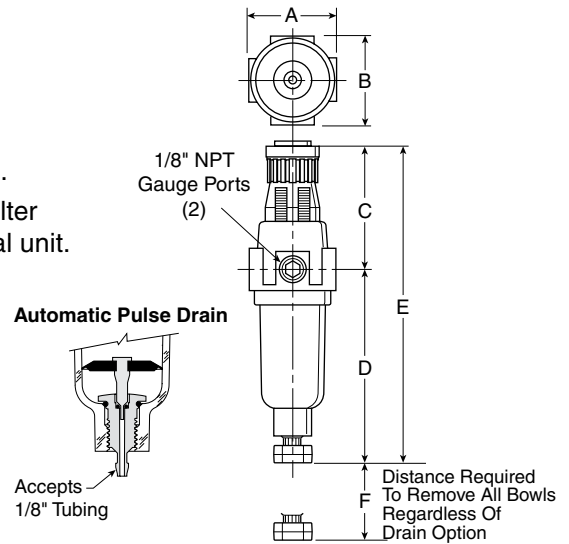
The float internal to this drain rises with increased liquid level. When the float rises, it opens a seat area allowing the trapped liquids to drain through the bottom. A manual override can be pushed in the bottom of the drain to unseat the float if particulates create a block.

14E Filter / Regulator – Miniature



Features

- Excellent water removal efficiency.
- Unbalanced poppet standard.
- Solid control piston for extended life.
- Space saving package offers both filter and regulator features in one integral unit.
- Non-rising adjustment knob.
- Two full flow 1/8" gauge ports.
- High Flow: 1/8" – 16 SCFM[§]
 1/4" – 18 SCFM[§]



Port Size	NPT	
	Twist Drain	Automatic Pulse Drain
Poly Bowl [‡]		
1/8"	14E01B13FC	14E05B13FC
1/4"	14E11B13FC	14E15B13FC
Metal Bowl		
1/8"	14E03B13FC	14E07B13FC
1/4"	14E13B13FC	14E17B13FC

A	B	C
1.62 (41)	1.58 (40)	2.42 (61)
D	D [†]	E
3.79 (96)	3.64 (92)	6.21 (158)
E [†]	F	
6.06 (154)	1.60 (41)	

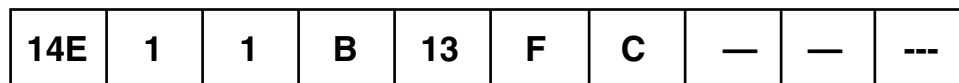
Inches (mm)
 † With Auto Drain

Standard part numbers shown bold. For other models refer to ordering information below.

‡ For polycarbonate bowl see Caution on page C2.
 § SCFM = Standard cubic feet per minute at 100 psig inlet, 90 psig no flow secondary setting and 10 psig pressure drop.

NOTE: 1.218 Dia. (31mm) hole required for panel mounting.

Ordering Information



BOLD ITEMS ARE MOST POPULAR.

Port Size 0 1/8 Inch 1 1/4 Inch	Elements A 40 Micron B 5 Micron Z Adsorber	Relief F Relieving G Non-Relieving H* Low Temp Relieving <small>* Twist Drain Only.</small>	Port Type Blank NPT 1 BSPP 2 BSPT	Preset / Pressure Limited Blank None XXX* Preset Pressure XXX* Pressure Limited
--	--	--	---	---

Bowl Options	
Polycarbonate Bowl	
1	Twist Drain
5	Automatic Pulse Drain
Metal Bowl	
3	Twist Drain
7	Automatic Pulse Drain

Pressure Range		
	Without Gauge	With Gauge*
10	30 psig	15 30 psig
11	60 psig	16 60 psig
12	15 psig	17 15 psig
13	125 psig	18 125 psig

* Not available with BSPP or BSPT port types.

Engineering Level
C Current

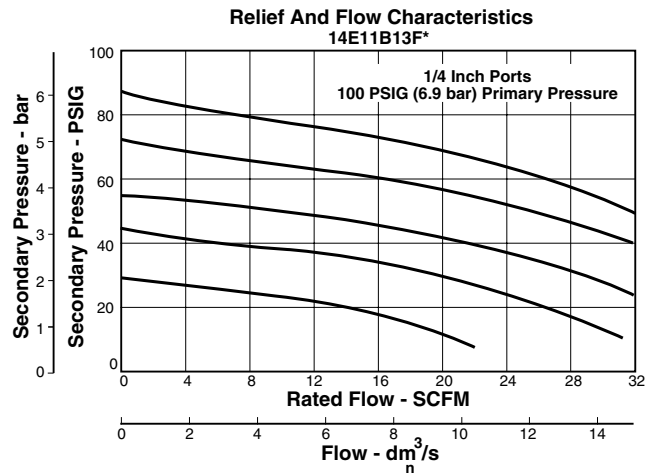
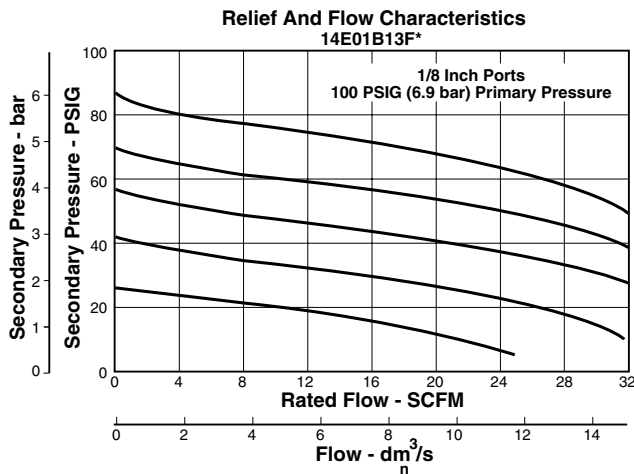
Options	
Blank	No Options
L [†]	Preset Non-Adjustable
P [†]	Preset Adjustable
S [†]	Pressure Limiter Max. Adjustable
T [†]	Pressure Limiter Max.

* Available Preset / Pressure Limited Range, 10 to 90 psig in 5 psig increments. For higher pressures, contact factory.
 (Example: 065 = 65 psig)

Spring Type by Preset / Limited Pressure:
 For Preset / Limited Pressure 10 to 25 use 30 PSI Spring
 For Preset / Limited Pressure 26 to 50 use 60 PSI Spring
 For Preset / Limited Pressure 51 to 90 use 125 PSI Spring

† Inlet Pressure is 100 psig. For other pressures, contact factory.

Technical Information



CAUTION:

REGULATOR PRESSURE ADJUSTMENT – The working range of knob adjustment is designed to permit outlet pressures within their full range. Pressure adjustment beyond this range is also possible because the knob is not a limiting device. This is a common characteristic of most industrial regulators, and limiting devices may be obtained only by special design.

For best performance, regulated pressure should always be set by increasing the pressure up to the desired setting.

⚠ WARNING

**Product rupture can cause serious injury.
Do not connect regulator to bottled gas.
Do not exceed maximum primary pressure rating.**

14E Filter / Regulator Kits & Accessories

- Bonnet Tamperproof Kit..... P01265
- Bowl Kits –**
- Poly Bowl – Automatic Drain PS408BP
- Twist Drain PS404P
- Metal Bowl – Automatic Drain PS451BP
- Twist Drain PS447BP
- Filter Element Kits – 40 Micron** PS401P
- 5 Micron PS403P
- Adsorber..... PS452P
- Gauges – 30 psig (0 to 2.1 bar)** K4515N18030
- 60 psig (0 to 4.1 bar) K4515N18060
- 160 psig (0 to 11.0 bar) K4515N18160
- Mounting Bracket Kit*** (Includes Panel Mount Nut)..... PS417BP
- Panel Mount Nut*** P78652
- Poppet / Piston Kits – Unbalanced, Non-Relieving**..... PS428P
- Unbalanced, Relieving..... PS426P
- Springs – 1- 15 psig Range (Yellow)**..... P01176
- 1- 30 psig Range (Black) P01175
- 1- 60 psig Range (White)..... P01174
- 2- 125 psig Range (Gold) P01173

Specifications

- Automatic Pulse Drain Tube Barb** 1/8 Inch
- Bowl Capacity** 1 Ounce
- Gauge Ports (2)** (Can be used for Full Flow)..... 1/8 Inch
- Port Threads** 1/8, 1/4 Inch

*Tighten panel mount nut 2.8 to 3.4 Nm (25 to 30 in-lbs) of torque.

Pressure & Temperature Ratings –

- Polycarbonate Bowl
0 to 150 psig (0 to 10.3 bar), 32°F to 125°F (0°C to 52°C)
- Metal Bowl
0 to 250 psig (0 to 17.2 bar), 32°F to 175°F (0°C to 80°C)

Secondary Pressure Ranges –

- Standard Pressure 2 to 125 psig (0 to 8.6 bar)
- Medium Pressure 1 to 30 psig (0 to 2.1 bar)
- Medium Pressure 1 to 60 psig (0 to 4.1 bar)
- Low Pressure..... 1 to 15 psig (0 to 1 bar)

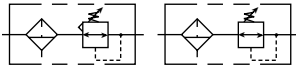
Weight 0.4 lb. (0.18 kg)

Materials of Construction

- Adjusting Nut** Brass
- Adjusting Stem & Spring** Steel
- Body**..... Zinc
- Bonnet, Knob, Seat, Piston, Holder & Deflector** Plastic
- Bowls Available – Transparent** Polycarbonate
- Metal (Without Sight Gauge) Zinc
- Drains – Manual – Twist Type**
- Body & Stem Plastic
- Seals Nitrile
- Automatic – Pulse Type
- Piston & Seals Nitrile
- Stem, Seat, Adaptor & Washers Aluminum
- Filter Elements – 5 Micron (Standard)** Plastic
- 40 Micron (Optional) Plastic
- Adsorber (Optional) Activated Charcoal
- Seals** Nitrile

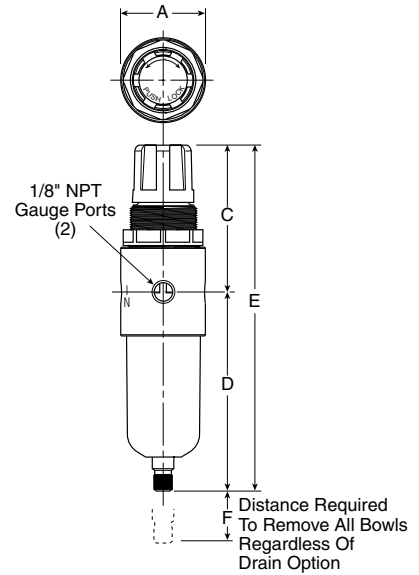


B34 Miniature Filter / Regulator



Features

- Excellent Water Removal Efficiency
- Diaphragm Operated for Fast Operation
- Large Diaphragm to Valve Area for Precise Regulation and High Flow capacity
- Balanced Valve Design for Precise Regulation
- Space Saving Package Offers Both Filter and Regulator Features in One Integral Unit
- Non-rising Adjustment Knob
- High Flow: 1/8" – 17 SCFM[§]
 1/4" – 19 SCFM[§]



Port Size	NPT	
	Manual Twist Drain	
Poly Bowl [‡]		
1/8"	B344-01AGC	
1/4"	B344-02AGC	
Metal Bowl without Sight Gauge		
1/8"	B344-01DGC	
1/4"	B344-02DGC	

A	C	D
1.54 (39.2)	2.68 (68.1)	3.63 (92.1)
E	F	
6.31 (160.2)	1.65 (41.9)	

Inches (mm)
 † With Auto Drain

Bold Items are Most Popular.

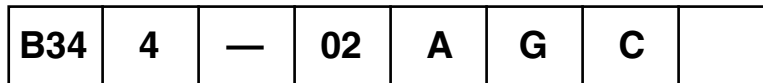
For other models refer to ordering information below.

NOTE: 1.218 Dia. (31mm) hole required for panel mounting.

‡ For polycarbonate bowl see Caution on page 2.

§ SCFM = Standard cubic feet per minute at 100 PSIG inlet, 75 PSIG no flow secondary setting and 25% pressure drop.

Ordering Information

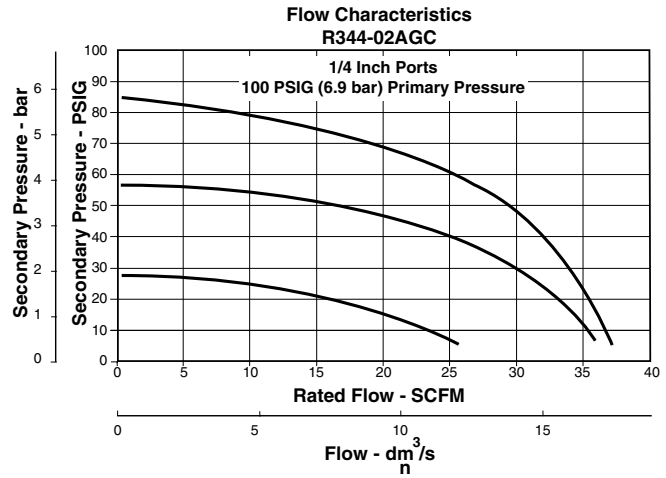
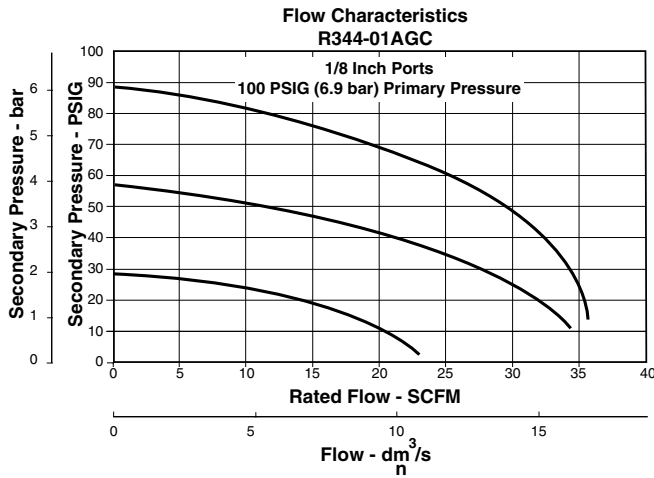


Number of Ports	Port Threads	Port Size	Bowl	Elements	Reduced Pressure Range	Options
2 2 Ports 4 4 Ports	— NPT G BSPP	01 1/8 Inch 02 1/4 Inch	A Polycarbonate Bowl D Metal without Sight Gauge	G 5 Micron	A 0-25 PSIG B 0-60 PSIG C 0-125 PSIG	Blank None G Gauge K Non-Relieving P Panel Mount (Plastic) S Automatic Pulse Drain

BOLD ITEMS ARE MOST POPULAR.



Technical Information



⚠ WARNING

**Product rupture can cause serious injury.
 Do not connect regulator to bottled gas.
 Do not exceed maximum primary pressure rating.**

⚠ CAUTION:

REGULATOR PRESSURE ADJUSTMENT – The working range of knob adjustment is designed to permit outlet pressures within their full range. Pressure adjustment beyond this range is also possible because the knob is not a limiting device. This is a common characteristic of most industrial regulators, and limiting devices may be obtained only by special design. For best performance, regulated pressure should always be set by increasing the pressure up to the desired setting.

B34 Filter / Regulator Kits & Accessories

- Adjusting KnobRRP-16-005-000
- Bowl Kits –**
- Zinc (D)BK505Y
- Zinc with Automatic Pulse Drain (D).....BK505SY
- Polycarbonate (A) BK504Y
- Polycarbonate with Automatic Pulse Drain (A).....BK504SY
- Drain Kits –**
- Automatic Pulse Drain
(Maximum Pressure = 175 PSIG)..... RK504SY
- Filter Element Kits –**
- 5 Micron (All).....FRP-96-729
- Gauges –**
- 1-1/2" Dial Size, 1/8" Back Connection
0 to 60 PSIG (0 to 400 kPa).....K4515N18060
- 1-1/2" Dial Size, 1/8" Back Connection
0 to 160 PSIG (0 to 1100 kPa) K4515N18160
- Mounting Bracket Kit (Includes Plastic Panel Nut)SA161X57**
- Panel Mount Nut –**
- Plastic.....R05X51-P
- AluminumR05X51-A
- Repair Kits –**
- Non-Relieving Diaphragm, Valve Assembly (All)..... GRP-96-726
- Relieving Diaphragm, Valve Assembly (All) GRP-96-725
- Springs –**
- 0-25GRP-95-111
- 0-60.....GRP-96-718
- 0-125 GRP-96-717

Specifications

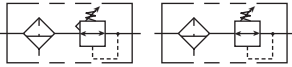
- Bowl Capacity**1 Ounce
- Gauge Ports (2)** 1/8 Inch
- Maximum Pressure –**
- Zinc Bowl (D) 0 to 300 PSIG
- Polycarbonate Bowl (A) 0 to 150 PSIG
- Port Threads** 1/8 & 1/4 Inch
- Reduced Pressure Range –**
- 0 to 25 PSIG (0 to 1.7 bar) (A)
- 0 to 60 PSIG(0 to 4.1 bar) (B)
- 2 to 125 PSIG(0.15 to 8.5 bar) (C)
- Temperature Rating** 40°F to 125°F (4.4°C to 52°C)
- Weight –**
- Zinc Bowl (D)0.6 lb. (0.27 kg) / Unit
12 lb. (5.44 kg) / 24-Unit Master Pack
- Polycarbonate Bowl (A) 0.3 lb. (0.14 kg) / Unit
6 lb. (2.72 kg) / 24-Unit Master Pack

Materials of Construction

- Adjusting Knob** Acetal
- Body** Aluminum
- Bowls –**
- Polycarbonate (A) Polycarbonate
- Metal (D)Zinc
Zinc with Automatic Pulse Drain
- Elastomers** Buna N
- Filter Element**Sintered Polyethylene
- Filter Retainer, Vane Plate**Acetal
- Filter Innershell, Diaphragm, Button, Drain** Brass

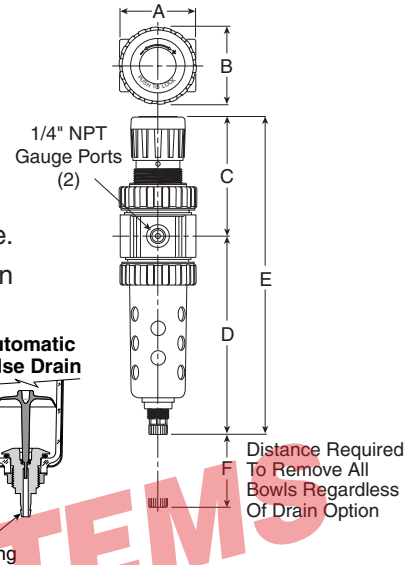


05E Filter / Regulator – Economy



Features

- Space saving package offers both filter and regulator features for optimal performance.
- Excellent water removal efficiency.
- Rolling diaphragm for extended life.
- Removable non-rising knob for tamper resistance.
- Quick response, and accurate pressure regulation regardless of changing flow or inlet pressure.
- 40 micron filter element standard, 5 micron and adsorber available.
- High Flow: 1/4" – 30 SCFM[§]
 3/8" – 40 SCFM[§]



Port Size	NPT	
	Twist Drain	Automatic Pulse Drain
Poly Bowl [†] / Metal Guard		
1/4"	05E12A13A*	05E1PA13A*
3/8"	05E22A13A*	05E2PA13A*
Metal Bowl / Sight Gauge		
1/4"	05E14A13A*	05E1TA13A*
3/8"	05E24A13A*	05E2TA13A*

WARNING
 Product rupture can cause serious injury.
 Do not connect regulator to bottled gas.
 Do not exceed maximum primary pressure rating.

05E Filter / Regulator Dimensions		
A	B	C
2.00 (51)	2.06 (52)	3.16 (80)
D [†]	E [†]	F
5.35 (136)	8.51 (216)	1.77 (45)

Standard part numbers shown bold. For other models refer to ordering information below.
[†] For polycarbonate bowl see Caution on page C2.
[§] SCFM = Standard cubic feet per minute at 100 psig inlet, 90 psig no flow secondary setting and 10 psig pressure drop.
 NOTE: 1.53 Dia. (39mm) hole required for panel mounting.

Inches (mm)
[†] With Twist Drain or Auto Pulse Drain

Ordering Information

05E 1 2 A 13 A B - - -

Port Size 1 1/4 Inch 2 3/8 Inch	Elements A 40 Micron B 5 Micron Z Adsorber	Relief A Relieving L Non-Relieving H Low Temp. Relieving	Port Type Blank NPT 1* BSPP 2 BSPT <small>* 1/4 & 3/8 inch meet ISO 1179-1 Standard.</small>	Preset / Pressure Limited Blank None XXX* Preset Pressure XXX* Pressure Limited
--	--	--	---	---

Bowl Options	
Polycarbonate Bowl	
1	Twist Drain
2	Metal Bowl Guard / Twist Drain
N	Automatic Pulse Drain
P	Metal Bowl Guard / Auto Pulse Drain
Metal Bowl	
3	Twist Drain
4	Sight Gauge / Twist Drain
R	Automatic Pulse Drain
T	Sight Gauge / Auto Pulse Drain

Pressure Range	
Without Gauge	With Gauge*
10 30 psig	17 30 psig
11 60 psig	16 60 psig
13 125 psig	18 125 psig
14 [§] 200 psig	19 [§] 200 psig

Engineering Level
B Current

Options	
Blank	No Options
L [†]	Preset Non-Adjustable
P [†]	Preset Adjustable
S [†]	Pressure Limiter Max. Adjustable
T [†]	Pressure Limiter Max. Non-Adj.

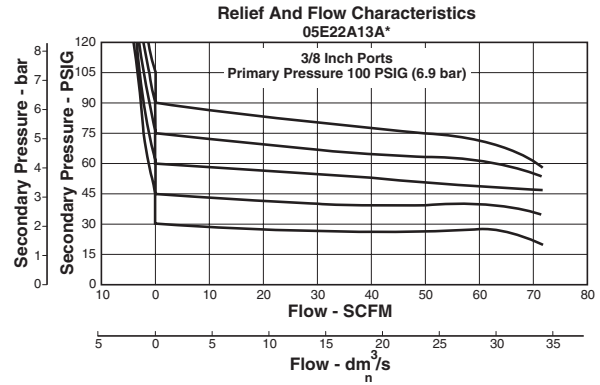
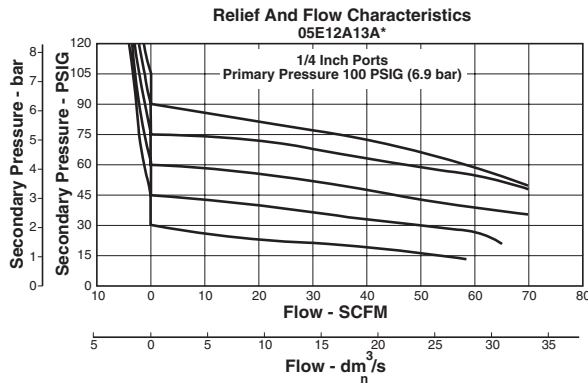
Spring Type by Preset / Limited Pressure:
 For Preset / Limited Pressure 10 to 25 use 30 PSI Spring
 For Preset / Limited Pressure 26 to 50 use 60 PSI Spring
 For Preset / Limited Pressure 51 to 90 use 125 PSI Spring

* Available Preset / Pressure Limited Range, 10 to 90 psig in 5 psig increments. For higher pressures, contact factory.
 (Example: 065 = 65 psig)

BOLD ITEMS ARE MOST POPULAR.

Technical Specifications – 05E

Technical Information



CAUTION:

REGULATOR PRESSURE ADJUSTMENT – The working range of knob adjustment is designed to permit outlet pressures within their full range. Pressure adjustment beyond this range is also possible because the knob is not a limiting device. This is a common characteristic of most industrial regulators, and limiting devices may be obtained only by special design.

For best performance, regulated pressure should always be set by increasing the pressure up to the desired setting.

05E Filter / Regulator Kits & Accessories

Bowl Guard Kit	PS905P
Bowl Kits –	
Poly Bowl – Automatic Pulse Drain.....	PS995P
Twist Drain.....	PS932P
Metal Bowl – Automatic Pulse Drain.....	PS997P
Twist Drain.....	PS934P
Sight Gauge / Automatic Pulse Drain	PS996P
Sight Gauge / Twist Drain.....	PS935P
Drain Kit –	
Automatic Pulse Drain.....	PS998P
Semi-Auto Drain	PS511P
Twist Drain	PS512P
Push ‘N’ Drain.....	PS513P
Filter Element Kits –	
40 Micron	PS901P
5 Micron	PS902P
Adsorber.....	PS931P
Sight Gauge Kit	PS914P
Gauges – 1-1/2" Dial Face	
30 psig (0 to 2.1 bar).....	K4515N14030
60 psig (0 to 4.1 bar).....	K4515N14060
160 psig (0 to 11.0 bar)	K4515N14160
300 psig (0 to 20.0 bar)	K4515N14300
2" Dial Face	
60 psig (0 to 4.1 bar)	K4520N14060
160 psig (0 to 11.0 bar)	K4520N14160
300 psig (0 to 20.0 bar)	K4520N14300
Mounting Bracket Kit (Includes Panel Mount Nut).....	PS963P
Panel Mount Nut – Metal	PS964P
Springs –	
1-30 psig Range.....	P04427
1-60 psig Range	P04426
2-125 psig Range.....	P04425
2-200 psig	P02934
Relieving Service Kit	PS908P
Non-Relieving Service Kit	PS909P
Bonnet Assembly Kit	PS915P

Specifications

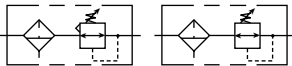
Bowl Capacity	2.0 Ounces
Gauge Port (2)	1/4 Inch
Sump Capacity	0.9 Ounce
Port Threads	1/4, 3/8 Inch
Pressure & Temperature Rating –	
Polycarbonate Bowl – 0 to 150 psig (0 to 10.3 bar)	
32°F to 125°F (0°C to 52°C)	
Metal Bowl – 0 to 250 psig (0 to 17.2 bar)	
32°F to 175°F (0°C to 80°C)	
Automatic Pulse Drain – 10 to 150 psig (0.7 to 10.3 bar)	
Weight	1.35 lb. (0.6 kg)

Materials of Construction

Adjusting Stem	Steel
Body	Zinc
Bonnet, Internal Parts	Plastic
Bowl Guard	Steel
Collar	Plastic
Diaphragm	Nitrile
Drain	Plastic
Filter Elements –	
40 Micron (Standard).....	Plastic
5 Micron (Optional)	Plastic
Adsorber (Optional)	Activated Charcoal
Knob	Plastic
Seals	Nitrile
Sight Gauge	Polyamide (Nylon)
Springs – Poppet & Control	Steel

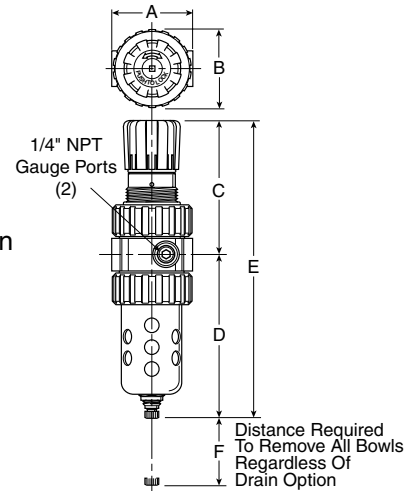
C	Product Selection
	Filters
	Coalescers
Regulators	
Filter / Regulators	
Lubricators	
Compos	
Accessories	

06E Filter / Regulator – Compact



Features

- Space saving package offers both filter and regulator features for optimal performance.
- Excellent water removal efficiency.
- Rolling diaphragm for extended life.
- Quick response, and accurate pressure regulation regardless of changing flow or inlet pressure.
- Two high flow 1/4" gauge ports can be used as additional outlets.
- Shown with recommended metal bowl guard.
- High Flow: 1/4" – 46 SCFM[§]
 3/8" – 55 SCFM[§]
 1/2" – 61 SCFM[§]



Port Size	NPT	
	Twist Drain	Automatic Float Drain
Poly Bowl [†] / Metal Guard		
1/4"	06E12A13AC	06E16A13AC
3/8"	06E22A13AC	06E26A13AC
1/2"	06E32A13AC	06E36A13AC
Metal Bowl / Sight Gauge		
1/4"	06E14A13AC	06E18A13AC
3/8"	06E24A13AC	06E28A13AC
1/2"	06E34A13AC	06E38A13AC

06E Filter / Regulator Dimensions			
A	B	C	D
2.81 (71)	2.74 (70)	4.69 (119)	5.69 (145)
D [†]	E	E [†]	F
5.74 (146)	10.38 (264)	10.43 (265)	2.25 (57)

Inches (mm)
[†] With Twist Drain or Auto Pulse Drain

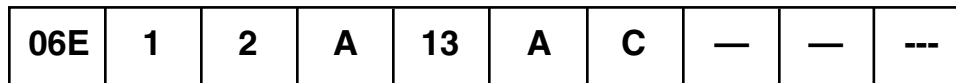
Standard part numbers shown bold. For other models refer to ordering information below.

[‡] For polycarbonate bowl see Caution on page C2.
[§] SCFM = Standard cubic feet per minute at 100 psig inlet, 90 psig no flow secondary setting and 10 psig pressure drop.
 NOTE: 2.00 Dia. (50.8 mm) hole required for panel mounting.
 Max. panel thickness 1/4".

⚠ WARNING

**Product rupture can cause serious injury.
 Do not connect regulator to bottled gas.
 Do not exceed maximum primary pressure rating.**

Ordering Information



Port Size
1 1/4 Inch
2 3/8 Inch
3 1/2 Inch

Elements
A 40 Micron
B 5 Micron

Relief
A Relieving
L Non-Relieving

Port Type
Blank NPT
1* BSPP

* 1/4 & 3/8 inch meet ISO 1179-1 Standard.

Preset
Blank None
XXX* Preset Pressure

* Available Preset Range, 10 to 90 psig in 5 psig increments. For higher pressures, contact factory.
 (Example: 065 = 65 psig)

Bowl Options	
Polycarbonate Bowl	Metal Bowl
2 Metal Bowl Guard / Twist Drain	3 Twist Drain
6 Metal Bowl Guard / Auto Float Drain	4 Sight Gauge / Twist Drain
	7 Auto Float Drain
	8 Sight Gauge / Auto Float Drain

Pressure Range	
Without Gauge	With Gauge
11 60 psig	16 60 psig
13 125 psig	18 125 psig
15 [§] 250 psig	21 [§] 250 psig

[§] If 250 psig spring range is used, use metal bowl.

Engineering Level
C Current

Options	
Blank	No Options
L [†]	Preset Non-Adjustable
P [†]	Preset Adjustable

[†] Inlet Pressure is 100 psig. For other pressures, contact factory.

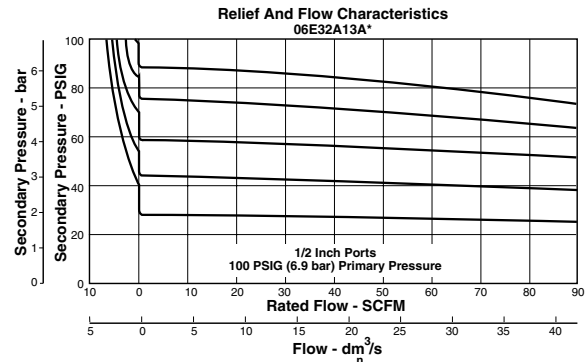
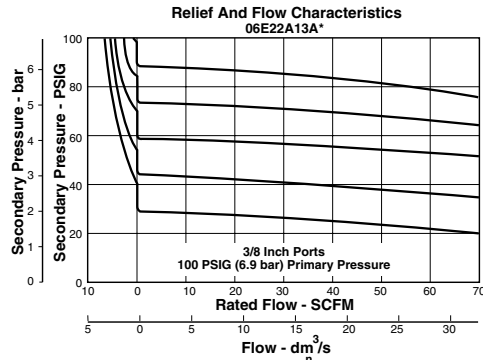
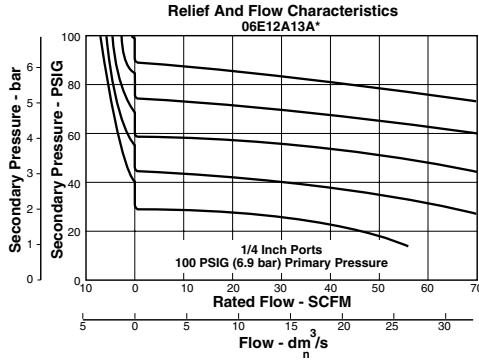
Spring Type by Preset / Limited Pressure:

For Preset / Limited Pressure 26 to 50 use 60 PSI Spring
 For Preset / Limited Pressure 51 to 90 use 125 PSI Spring

BOLD ITEMS ARE MOST POPULAR.

Technical Specifications – 06E

Technical Information



CAUTION:

REGULATOR PRESSURE ADJUSTMENT – The working range of knob adjustment is designed to permit outlet pressures within their full range. Pressure adjustment beyond this range is also possible because the knob is not a limiting device. This is a common characteristic of most industrial regulators, and limiting devices may be obtained only by special design.

For best performance, regulated pressure should always be set by increasing the pressure up to the desired setting.

06E Filter / Regulator Kits & Accessories

Bonnet Assembly Kit	PS715P
Bowl Guard Kit	PS705P
Bowl Kits –	
Poly Bowl – Automatic Float Drain	PS722P
Twist Drain	PS732P
Metal Bowl – Automatic Float Drain	PS726P
Semi-Auto Drain	PS794P
Twist Drain	PS734P
Sight Gauge / Automatic Drain	PS723P
Sight Gauge / Twist Drain	PS735P
Control Knob	P04069B
Drain Kits –	
Automatic Float Drain	PS506P
Semi-Auto Drain	PS511P
Twist Drain	PS512P
Push 'N' Drain	PS513P
Filter Element Kits –	
40 Micron	PS701P
5 Micron	PS702P
Adsorber	PS731P
Gauges – 2" Dial Face	
60 psig (0 to 4.1 bar)	K4520N14060
160 psig (0 to 11.0 bar)	K4520N14160
300 psig (0 to 20.0 bar)	K4520N14300
1-3/4" Digital Round Face	
160 psig (0 to 11.0 bar)	K4517N14160D
Mounting Bracket Kit (Includes Panel Mount Nut)	PS707P
Panel Mount Nut	P04082
Service Kits –	
Non-Relieving (Includes Poppet)	PS711P
Relieving (Includes Poppet)	PS710P
Seat Insert Kit	PS713P
Springs –	
1- 30 psig Range	P01698
1- 60 psig Range	P04062
2- 125 psig Range	P04063
5- 250 psig Range	P04064
Tamperproof Kit (Key Lock)	PS737P

Specifications

Bowl Capacity	4.4 Ounces
Gauge Ports (2)	1/4 Inch
(Can be used as Additional Full Flow 1/4" Outlet Ports)	
Port Threads	1/4, 3/8, 1/2 Inch

Pressure & Temperature Ratings –

Polycarbonate Bowl – 0 to 150 psig (0 to 10.4 bar)
32°F to 125°F (0°C to 52°C)
Metal Bowl – 0 to 250 psig (0 to 17.2 bar)
32°F to 175°F (0°C to 80°C)
Automatic Float Drain – 15 to 250 psig (1.0 to 17.2 bar)

Secondary Pressure Ranges –

Standard Pressure	2 to 125 psig (0 to 8.6 bar)
Low Pressure	1 to 60 psig (0 to 4.1 bar)
High Pressure	5 to 250 psig (0.4 to 17.2 bar)

Sump Capacity	1.75 Ounces
Weight	1.6 lb. (0.7 kg)

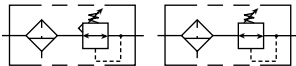
Materials of Construction

Adjusting Stem	Steel
Body	Zinc
Bonnet, Internal Parts	Plastic
Bowls Available –	
Transparent	Polycarbonate
Metal (With or Without Sight Gauge)	Zinc
Bowl Guard	Steel
Collar	Plastic
Diaphragm	Nitrile
Drains –	
Manual Twist Drain Standard	
Body & Nut	Plastic
Manual Push 'N' Drain Optional	
Body	Nitrile
Stem	Brass
Automatic Float Drain Optional	
(Interchangeable for Field Conversions)	
Operating Range	10 to 250 psig (.7 to 17.2 bar)
Housing, Float	Plastic
Seals	Nitrile
Springs, Push Rod	Stainless Steel
Knob	Plastic
Filter Elements –	
40 Micron (Standard)	Plastic
5 Micron (Optional)	Plastic
Adsorber (Optional)	Activated Charcoal
Seals	Nitrile
Sight Gauge	Polyamide
Springs –	
Poppet	Stainless Steel
Control	Steel

C	Product Selection
	Filters
	Coalescers
	Regulators
	Filter / Regulators
	Lubricators
	Combos
	Accessories

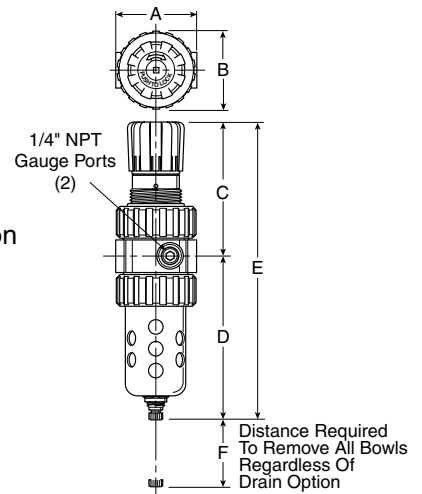


07E Filter / Regulator – Standard



Features

- Space saving package offers both filter and regulator features for optimal performance.
- Excellent water removal efficiency.
- Rolling diaphragm for extended life.
- Quick response, and accurate pressure regulation regardless of changing flow or inlet pressure.
- Two high flow 1/4" gauge ports can be used as additional outlets.
- Shown with recommended metal bowl guard.
- High Flow: 1/2" – 90 SCFM§
 3/4" – 90 SCFM§



07E Filter / Regulator Dimensions			
A	B	C	D
3.24 (82)	3.25 (83)	4.79 (122)	6.97 (177)
D†	E	E†	F
7.00 (178)	11.76 (299)	11.79 (299)	2.75 (70)

Inches (mm)
 † With Auto Float Drain

Port Size	NPT	
	Twist Drain	Automatic Float Drain
Poly Bowl† / Metal Guard		
1/2"	07E32A13AC	07E36A13AC
3/4"	07E42A13AC	07E46A13AC
Metal Bowl / Sight Gauge		
1/2"	07E34A13AC	07E38A13AC
3/4"	07E44A13AC	07E48A13AC

Standard part numbers shown bold. For other models refer to ordering information below.

‡ For polycarbonate bowl see Caution on page C2.

§ SCFM = Standard cubic feet per minute at 100 psig inlet, 90 psig no flow secondary setting and 10 psig pressure drop.

NOTE: 2.00 Dia. (50.8 mm) hole required for panel mounting. Max. panel thickness 1/4".

⚠ WARNING

**Product rupture can cause serious injury.
 Do not connect regulator to bottled gas.
 Do not exceed maximum primary pressure rating.**

Ordering Information

07E	3	2	A	13	A	C	—	—	---
-----	---	---	---	----	---	---	---	---	-----

Port Size
3 1/2 Inch
4 3/4 Inch

Elements
A 40 Micron
B 5 Micron

Relief
A Relieving
L Non-Relieving

Port Type
Blank NPT
1* BSPP

* 1/2 & 3/4 inch meet ISO 1179-1 Standard.

Preset
Blank None
XXX* Preset Pressure

* Available Preset Range, 10 to 90 psig in 5 psig increments. For higher pressures, contact factory.
 (Example: 065 = 65 psig)

Bowl Options	
Polycarbonate Bowl	3 Twist Drain
2 Metal Bowl Guard / Twist Drain	4 Sight Gauge / Twist Drain
6 Metal Bowl Guard / Auto Float Drain	7 Auto Float Drain
Metal Bowl	8 Sight Gauge / Auto Float Drain

Pressure Range	
Without Gauge	With Gauge
11 60 psig	16 60 psig
13 125 psig	18 125 psig
15§ 250 psig	21§ 250 psig

§ If 250 psig spring range is used, use metal bowl.

Engineering Level
C Current

Options	
Blank	No Options
L†	Preset
	Non-Adjustable
P†	Preset Adjustable

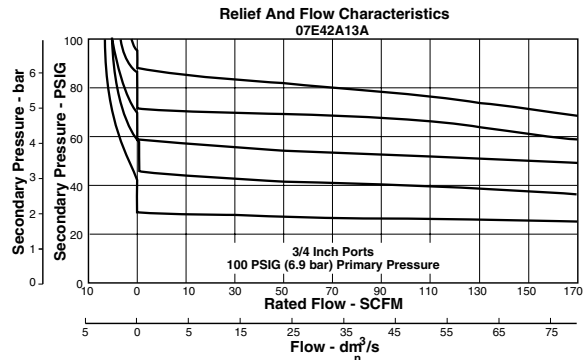
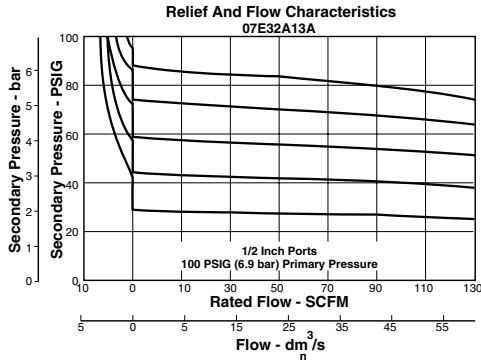
† Inlet Pressure is 100 psig. For other pressures, contact factory.

BOLD ITEMS ARE MOST POPULAR.

Spring Type by Preset / Limited Pressure:

For Preset / Limited Pressure 26 to 50 use 60 PSI Spring
 For Preset / Limited Pressure 51 to 90 use 125 PSI Spring

Technical Information



CAUTION:

REGULATOR PRESSURE ADJUSTMENT – The working range of knob adjustment is designed to permit outlet pressures within their full range. Pressure adjustment beyond this range is also possible because the knob is not a limiting device. This is a common characteristic of most industrial regulators, and limiting devices may be obtained only by special design.

For best performance, regulated pressure should always be set by increasing the pressure up to the desired setting.

07E Filter / Regulator Kits & Accessories

Bonnet Assembly Kit	PS715P
Bowl Guard Kit	PS805P
Bowl Kits –	
Poly Bowl – Automatic Float Drain	PS822P
Twist Drain	PS832P
Metal Bowl – Automatic Float Drain	PS826P
Semi-Auto Drain	PS894P
Twist Drain	PS834P
Sight Gauge / Automatic Drain	PS823P
Sight Gauge / Twist Drain	PS835P
Control Knob	P04069B
Drain Kits –	
Automatic Float Drain	PS506P
Semi-Auto Drain	PS511P
Twist Drain	PS512P
Push 'N' Drain	PS513P
Filter Element Kits –	
40 Micron	PS801P
5 Micron	PS802P
Adsorber	PS831P
Gauges – 2" Dial Face	
60 psig (0 to 4.1 bar)	K4520N14060
160 psig (0 to 11.0 bar)	K4520N14160
300 psig (0 to 20.0 bar)	K4520N14300
1-3/4" Digital Round Face	
160 psig (0 to 11.0 bar)	K4517N14160D
Mounting Bracket Kit (Includes Panel Mount Nut)	PS807P
Panel Mount Nut	P04082
Service Kits –	
Non-Relieving (Includes Poppet)	PS811P
Relieving (Includes Poppet)	PS810P
Seat Insert Kit	PS813P
Springs –	
1- 30 psig Range	P01698
1- 60 psig Range	P04062
2- 125 psig Range	P04063
5- 250 psig Range	P04064
Tamperproof Kit (Key Lock)	PS737P

Specifications

Bowl Capacity	7.2 Ounces
Gauge Ports (2)	1/4 Inch
(Can be used as Additional Full Flow 1/4" Outlet Ports)	
Port Threads	1/2, 3/4 Inch

Pressure & Temperature Ratings –

Polycarbonate Bowl – 0 to 150 psig (0 to 10.4 bar)
32°F to 125°F (0°C to 52°C)

Metal Bowl – 0 to 250 psig (0 to 17.2 bar)
32°F to 175°F (0°C to 80°C)

Automatic Float Drain – 15 to 250 psig (1.0 to 17.2 bar)

Secondary Pressure Ranges –

Standard Pressure 2 to 125 psig (0 to 8.6 bar)
Low Pressure 1 to 60 psig (0 to 4.1 bar)
High Pressure 5 to 250 psig (0.4 to 17.2 bar)

Sump Capacity 2.8 Ounces

Weight 2.5 lb. (1.1 kg)

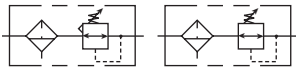
Materials of Construction

Adjusting Stem	Steel
Body	Zinc
Bonnet, Internal Parts	Plastic
Bowls Available –	
Transparent	Polycarbonate
Metal (With or Without Sight Gauge)	Zinc
Bowl Guard	Steel
Collar	Plastic or Metal
Diaphragm	Nitrile
Drains –	
Manual Twist Drain Standard	
Body & Nut	Plastic
Manual Push 'N' Drain Optional	
Body	Nitrile
Stem	Brass
Automatic Float Drain Optional	
(Interchangeable for Field Conversions)	
Operating Range	10 to 250 psig (.7 to 17.2 bar)
Housing, Float	Plastic
Seals	Nitrile
Springs, Push Rod	Stainless Steel
Knob	Plastic
Filter Elements –	
40 Micron (Standard)	Plastic
5 Micron (Optional)	Plastic
Adsorber (Optional)	Activated Charcoal
Seals	Nitrile
Sight Gauge	Polyamide
Springs –	
Poppet	Stainless
Control	Steel

C	Product Selection
	Filters
	Coalescers
Regulators	
Filter / Regulators	
Lubricators	
Combos	
Accessories	

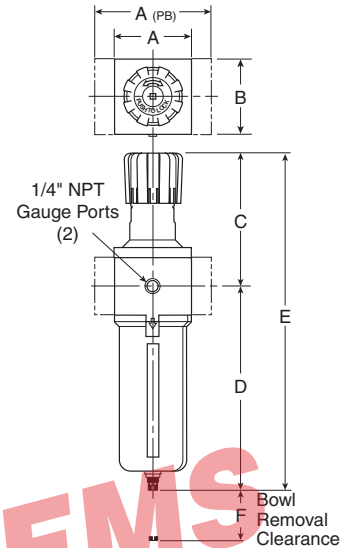


P3NE Filter / Regulator – Hi-Flow



Features

- Port blocks (PB) available to provide 1-1/2" port extension to 1" ported bodies.
- Excellent water removal efficiency.
- Metal bowl with sight gauge.
- Large filter element surface guarantees low pressure drop and increased element life.
- Twist drain as standard, optional auto drain.
- Self relieving feature plus balanced poppet provides quick response and accurate pressure regulation.
- Solid control piston for extended life.
- High Flow: 3/4" – 250 SCFM[§]
 1" – 250 SCFM[§]
 1-1/2" – 250 SCFM[§]



Port Size	NPT	
	Twist Drain	Automatic Float Drain
Metal Bowl / Sight Gauge		
3/4"	P3NEA96GSMBNN	P3NEA96GSABNN
1"	P3NEA98GSMBNN	P3NEA98GSABNN
1-1/2"	P3NEA9PGSMBNN	P3NEA9PGSABNN

P3NE Filter / Regulator Dimensions			
A	A (PB)	B	C
3.62 (92)	5.91 (150)	3.62 (92)	6.38 (162)
D†	E†	F	
9.57 (243)	15.95 (405)	4.92 (125)	

Standard part numbers shown bold. For other models refer to ordering information below.

* 1" Port Body with 1-1/2" Port Block.

§ SCFM = Standard cubic feet per minute at 90 psig inlet and 5 psig pressure drop, with 40 micron element.

Inches (mm)
 † With Twist Drain or Auto Float Drain

⚠ WARNING

**Product rupture can cause serious injury.
 Do not connect regulator to bottled gas.
 Do not exceed maximum primary pressure rating.**

Ordering Information



Engineering Level
A Current

Port Type
1* G Thread (BSPP) Female
2 Rc Thread (BSPT) Female
9 NPT Female

* 3/4 & 1 inch meet ISO 1179-1 Standard.

Port Size
6 3/4" (w/o Port Blocks)
8 1" (w/o Port Blocks)
P 1-1/2" Port Blocks (w/ 1" Ported Body)

Element
A Adsorbent
E 5 Micron
G 40 Micron

Bowl
S Metal Bowl w/ Sight Gauge

Drains
M Twist Drain
A Automatic Float Drain

Relief
B Relieving
N Non-Relieving

Adjustment
N Non-Rising Knob

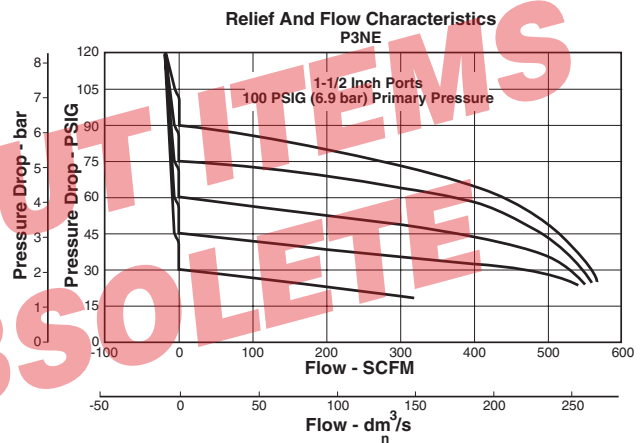
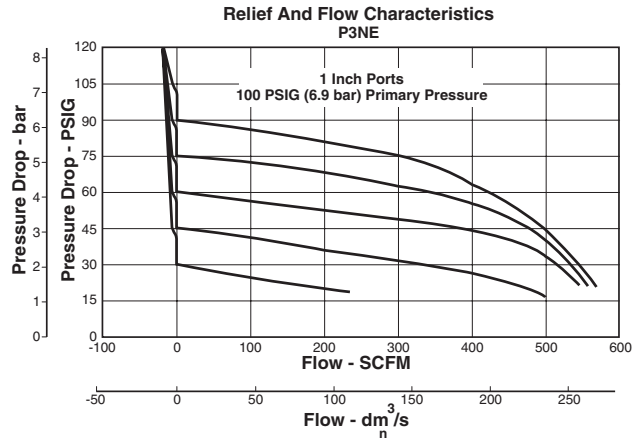
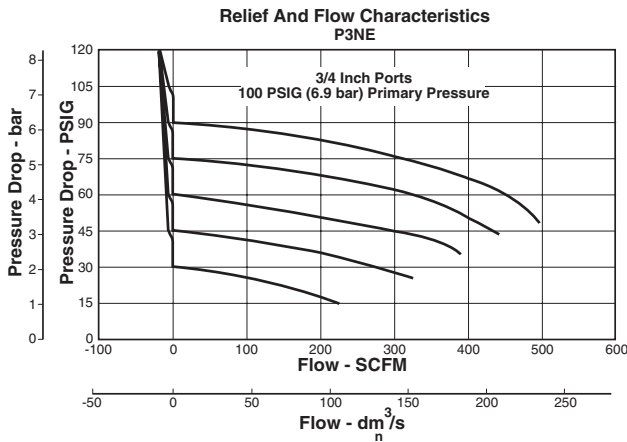
Pressure Range
w/o Gauge
L 60 PSI (0 to 4 bar)
N 125 PSI (0 to 8 bar)
H 250 PSI (0 to 17 bar)
w/ Gauge
M 60 PSI (0 to 4 bar)
G 125 PSI (0 to 8 bar)
J 250 PSI (0 to 17 bar)

Note: BSPP ported units supplied using NPT ported bodies and BSPP port block kits.

BOLD ITEMS ARE MOST POPULAR.



Technical Information



CAUTION:

REGULATOR PRESSURE ADJUSTMENT – The working range of knob adjustment is designed to permit outlet pressures within their full range. Pressure adjustment beyond this range is also possible because the knob is not a limiting device. This is a common characteristic of most industrial regulators, and limiting devices may be obtained only by special design.

For best performance, regulated pressure should always be set by increasing the pressure up to the desired setting.

P3NE Filter / Regulator Kits & Accessories

Bowl Kits –

- Metal Bowl – Sight Gauge / Automatic Float Drain .P3NKA00BSA
- Sight Gauge / Twist Drain P3NKA00BSM
- Sight Gauge / Push 'N' Drain.....P3NKA00BSP

Bowl Latch Kit C11A33

Control Knob P3NKA00PN

Drain Kit – Automatic Float Drain PS506P

Semi-Auto Drain PS511P

Twist Drain PS512P

Push 'N' Drain PS513P

Filter Element Kits – 40 Micron P3NKA00ESG

5 Micron P3NKA00ESE

Adsorber..... P3NKA00ESA

Gauges – 2" Dial Face

60 psig (0 to 4.1 bar) K4520N14060

160 psig (0 to 11.0 bar) K4520N14160

300 psig (0 to 20.0 bar) K4520N14300

1-3/4" Digital Round Face

160 psig (0 70 11.0 bar) K4517N14160D

Mounting Bracket Kit* P3NKA00MW

Service Kit – Relieving P3NKA00RR

Non-Relieving..... P3NKA00RN

Sight Gauge Kit P3NKA00PE

Springs – 1-60 psig Range..... C10A1304

2-125 psig Range..... C10A1308

5-250 psig Range..... C10A1317

* If 1-1/2 BSPP E02 fittings are required, use P3NKA00BMW.

Specifications

- Bowl Capacity** 18.0 Ounces
- Gauge Ports (2)** 1/4 Inch
- Port Threads** 3/4, 1, 1-1/2" Inch
- Pressure & Temperature Rating** – 0 to 250 psig (0 to 17.2 bar)
32°F to 175°F (0°C to 80°C)
- For Secondary Pressure Ranges see above charts.*
- Automatic Float Drain – 15 to 250 psig (1.0 to 17.2 bar)
- Sump Capacity** 6.8 Ounces
- Weight – 3/4"** 5.3 lb. (2.4 kg)
- 1" 5.3 lb. (2.4 kg)
- 1-1/2"* 6.43 lb. (2.9 kg)

Materials of Construction

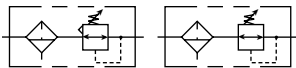
- Adjusting Stem** Steel
- Body, Bonnet, Bowl** Aluminum
- Drain** Plastic
- Filter Elements – 40 Micron (Standard)** Plastic
- 5 Micron (Optional) Plastic
- Adsorber (Optional) Activated Charcoal
- Knob** Plastic
- Piston** Plastic
- Seals** Nitrile
- Sight Gauge** Polyamide (Nylon)
- Springs – Poppet & Control** Steel

* 1" Port Body with 1-1/2" Port Block.



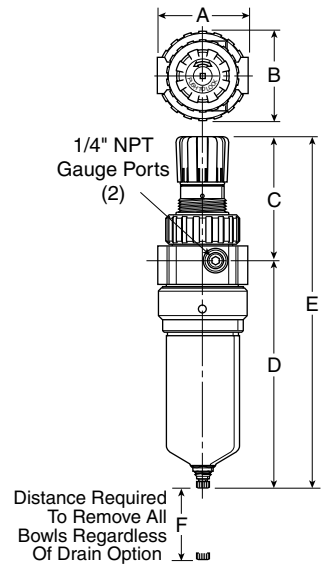
C	Product Selection
	Filters
	Coalescers
	Regulators
	Filter / Regulators
	Lubricators
	Compos
	Accessories

12E Filter / Regulator – Coalescing



Features

- Space saving package offers both coalescer and regulator features for optimal performance.
- Removes liquid, aerosol and sub-micron particles.
- Rolling diaphragm for extended life.
- Removable non-rising knob for panel mounting and tamper resistance.
- Quick response, and accurate pressure regulation regardless of changing flow or inlet pressure.
- Two high flow 1/4" gauge ports can be used as additional outlets.
- High Flow: Grade 6 Element
 - 3/8" – 35 SCFM[§]
 - 1/2" – 40 SCFM[§]
 - 3/4" – 45 SCFM[§]



Port Size	NPT
Twist Drain	
3/8"	12E23E13AA
1/2"	12E33E13AA
3/4"	12E43E13AA
Automatic Float Drain	
3/8"	12E27E13AA
1/2"	12E37E13AA
3/4"	12E47E13AA

12E Filter / Regulator Dimensions			
A	B	C	D
3.24 (82)	3.25 (83)	4.79 (122)	8.20 (208)
D [†]	E	E [†]	F
8.17 (208)	12.99 (330)	12.96 (329)	3.29 (84)

Inches (mm)
† With Twist Drain or Auto Float Drain

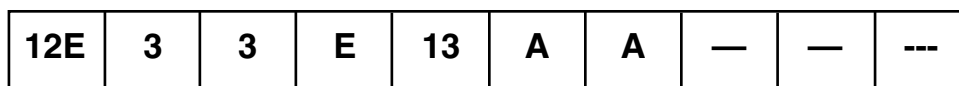
Standard part numbers shown bold. For other models refer to ordering information below.

§ SCFM = Standard cubic feet per minute at 150 psig inlet, 90 psig no flow secondary setting and 10 psig pressure drop.
NOTE: 2.00 Dia. (50.8 mm) hole required for panel mounting.

⚠ WARNING

Product rupture can cause serious injury.
Do not connect regulator to bottled gas.
Do not exceed maximum primary pressure rating.

Ordering Information



Port Size 2 3/8 Inch 3 1/2 Inch 4 3/4 Inch	Elements E Grade 6 H Grade 10	Port Size Without Gauge 11 60 psig 13 125 psig 15 250 psig With Gauge 16 60 psig 18 125 psig 21 250 psig	Relief A Relieving L Non-Relieving	Port Type Blank NPT 1* BSPP 2 BSPT <small>* 3/8 & 1/2 inch meet ISO 1179-1 Standard.</small>	Options Blank No Options L [†] Preset Non-Adjustable P [†] Preset Adjustable	Preset Blank None XXX* Preset Pressure <small>* Available Preset Range, 10 to 90 psig in 5 psig increments. For higher pressures, contact factory. (Example: 065 = 65 psig)</small>
--	--	--	---	---	---	---

Bowl Options

Metal Bowl

3 Twist Drain
7 Automatic Float Drain

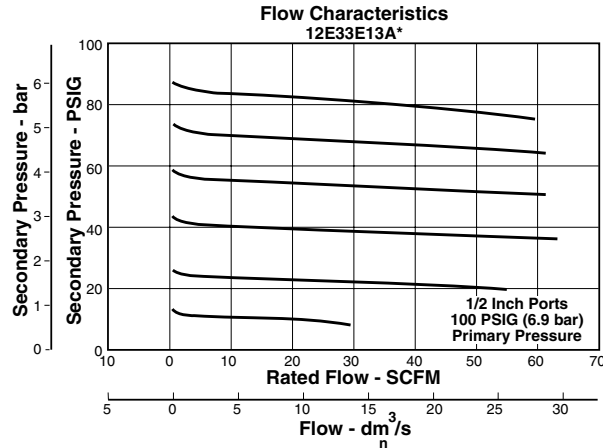
Spring Type by Preset / Limited Pressure:
 For Preset / Limited Pressure 10 to 25 use 30 PSI Spring
 For Preset / Limited Pressure 26 to 50 use 60 PSI Spring
 For Preset / Limited Pressure 51 to 90 use 125 PSI Spring

† Inlet Pressure is 100 psig. For other pressures, contact factory.

BOLD ITEMS ARE MOST POPULAR.

Technical Specifications – 12E

Technical Information



CAUTION:

REGULATOR PRESSURE ADJUSTMENT – The working range of knob adjustment is designed to permit outlet pressures within their full range. Pressure adjustment beyond this range is also possible because the knob is not a limiting device. This is a common characteristic of most industrial regulators, and limiting devices may be obtained only by special design.

For best performance, regulated pressure should always be set by increasing the pressure up to the desired setting.

12E Filter / Regulator Kits & Accessories

- Bonnet Assembly Kit PS715P
- Bowl Kits –**
 - Metal Bowl – Automatic Float Drain.....PS826P
 - Twist Drain.....PS834P
 - Push 'N' Drain.....PS825P
- Control Knob** P04069B
- Drain Kits –**
 - Automatic Float Drain.....PS506P
 - Twist Drain.....PS512P
 - Push 'N' Drain.....PS513P
- Filter Element Kits –**
 - Grade 6.....PS884P
 - Grade 10.....PS885P
- Gauges – 2" Dial Face**
 - 60 psig (0 to 4.1 bar).....K4520N14060
 - 160 psig (0 to 11.0 bar).....K4520N14160
 - 300 psig (0 to 20.0 bar).....K4520N14300
- 1-3/4" Digital Round Face**
 - 160 psig (0 to 11.0 bar).....K4517N14160D
- Mounting Bracket Kit** (Includes Panel Mount Nut) PS807P
- Service Kit – Relieving** (Includes Poppet) PS886P
- Springs –**
 - 1- 30 psig Range.....P01698
 - 1- 60 psig Range.....P04062
 - 2- 125 psig Range.....P04063
 - 5- 250 psig Range.....P04064
- Tamperproof Kit** (Key Lock)..... PS737P

Specifications

- Bowl Capacity**7.2 Ounces
- Gauge Ports (2)** 1/4 Inch
(Can be used as Additional Full Flow 1/4" Outlet Ports)
- Port Threads** 3/8, 1/2, 3/4 Inch
- Pressure & Temperature Ratings –**
 - Metal Bowl – 0 to 250 psig (0 to 17.2 bar)
 - 32°F to 175°F (0°C to 80°C)

Secondary Pressure Ranges –

- Standard Pressure 2 to 125 psig (0 to 8.6 bar)
- Low Pressure 1 to 60 psig (0 to 4.1 bar)
- High Pressure 5 to 250 psig (0.4 to 17.2 bar)

- Sump Capacity** 2.8 Ounces
- Weight**2.5 lb. (1.1 kg)

Materials of Construction

- Adjusting Stem** Steel
- Body** Zinc
- Bonnet, Internal Parts** Plastic
- Bowls Available – Metal** (Without Sight Gauge) Zinc
- Collar For Bonnet** Metal
- Control Spring** Steel
- Diaphragm** Nitrile
- Drains –**
 - Manual Twist Drain Standard
 - Body & Nut Plastic
 - Manual Push 'N' Drain Optional
 - Body Nitrile
 - Stem Brass
 - Automatic Float Drain Optional
(Interchangeable for Field Conversions)
 - Operating Range 10 to 250 psig (.7 to 17.2 bar)
 - Housing, Float Plastic
 - Seals Nitrile
 - Springs, Push Rod Stainless Steel
- Knob** Plastic
- Filter Element –**
 - Borosilicate & felt glass fibers 99.97% DOP efficiency
 - Largest Aerosol Particle Passed (Grade 6).....0.75 Microns
 - Largest Solid Particle Passed (Grade 6) 0.30 Microns
- Seals** Nitrile
- Sight Gauge** Polyamide
- Springs –** Poppet Stainless



C

Product Selector

Filters

Coalescers

Regulators

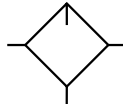
Filter / Regulators

Lubricators

Combos

Accessories

Micro-Mist Lubricators



- Pipe Sizes 1/4 thru 3/4 Inch
- Flows to 500 SCFM
- Pressures to 250 psig

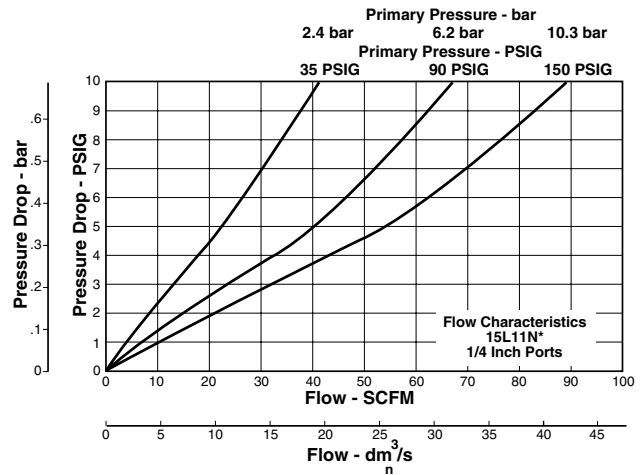
Micro-Mist Air Lubricators are designed to provide optimum and uniform lubrication with fine micro-mist particles of 2 micron or smaller, to pneumatic components even through complex piping arrangements.

- Economy 15L Series, 1/4 and 3/8 Inch
- Compact 16L Series, 1/4, 3/8 and 1/2 Inch
- Standard 17L Series, 3/8, 1/2 and 3/4 Inch

Lubricator Selection

1. Determine maximum system flow requirements.
2. Determine maximum allowable pressure drop at rated flow in SCFM.
3. Refer to flow chart and select lubricator by choosing the curve that offers minimum pressure drop at desired flow in SCFM.

**Reading Flow Charts to Size
Micro-Mist Lubricators**



Once the required flow is determined for a pneumatic application the lubricator can be selected by using the flow chart. To read the lubricator flow chart, first determine the inlet pressure that will be used. Find the appropriate pressure curve on the graph. Each graph will contain three pressure curves. If the required inlet pressure is not on the graph, interpolate a similar curve for the required pressure. Next, determine the acceptable pressure drop across the lubricator and locate it on the vertical axis. Find the intersection point of the acceptable pressure drop and the inlet pressure curve. At this point follow a vertical path downward to view the flow in SCFM. If the flow is too low, select a larger port size or body size to give the required flow. If the flow is higher than necessary, select a smaller port size or body size to give the required flow.



Product Selection

Filters

Coalescers

Regulators

Filter / Regulators

Lubricators

Combos

Accessories

F442 Oil



Quantity	Part Numbers
1 Quart	F442001
1 Gallon	F442002
12 Quart Case	F442003
4 Gallon Case	F442005

Petroleum based oil of 100 to 200 SSU viscosity at 100°F and an aniline point greater than 200°F

(DO NOT USE OILS WITH ADDITIVES, COMPOUNDED OILS CONTAINING SOLVENTS, GRAPHITE, DETERGENTS, OR SYNTHETIC OILS.)

Lubricators

Micro-Mist

The Micro-Mist lubricators inject a micro-mist of oil into the flowing air stream to automatically provide the correct amount of internal lubrication for air tools and other pneumatic devices. This type of lubricator can be precisely adjusted to a very low oil flow rate because only a portion of the oil drops seen in the sight dome goes downstream. The lubricator should be used where only a very minute amount of lubricant is desirable or where it is necessary for the oil to remain in suspension in the air stream for long distances.

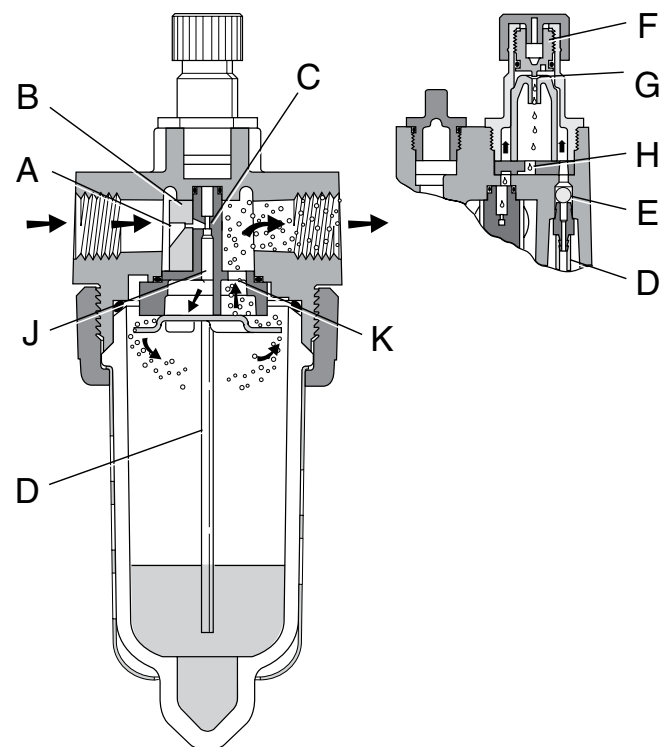
Operation

Air flowing through the unit goes through two paths. At low air flow rates, the majority of the air flows through venturi section (A). The rest of the air slightly deflects and flows by the flapper (B). The velocity of the air flowing through venturi section (A) creates a pressure drop at throat section (C). This lower pressure allows oil to be forced from the reservoir through the pickup tube (D) past the check ball (E), to the dome assembly where the rate of oil flow is controlled by metering screw (F). Rotation of the metering screw (F) in the counterclockwise direction increases the oil flow rate; in the clockwise direction decreases the oil flow rate.

Oil then flows through the clearance between the inner and outer sight domes (G) where drops are formed and drip into the nozzle tube (H). Here it is then broken into fine particles as it expands into the low pressure venturi. From there, the atomized oil flows through the precision orifice (J). This action causes the larger particles of oil to fall back into the reservoir where it can recirculate through the system. The remaining mist of fine particles (5 micron or smaller – about 3% of which passed through the sight dome) is then carried through opening (K) where it joins and mixes with air that bypassed the flapper (B). As air flow rate increases, the flapper (B) deflects, allowing most of the inlet air to bypass the venturi section (A).

However, a proportion of the inlet air passes through the venturi, assuring that oil delivery increases linearly with increased air flow rate. This proportioning method is advantageous at low inlet flows because the venturi design remains efficient.

The check ball (E) prevents reverse oil flow down the pickup tube when air flow stops. Thus, oil delivery can resume immediately when air flow restarts. **Micro-Mist Lubricators can only be filled when the air supply is shut off.**



C

Product
Selection

Filters

Coalescers

Regulators

Filter /
Regulators

Lubricators

Combos

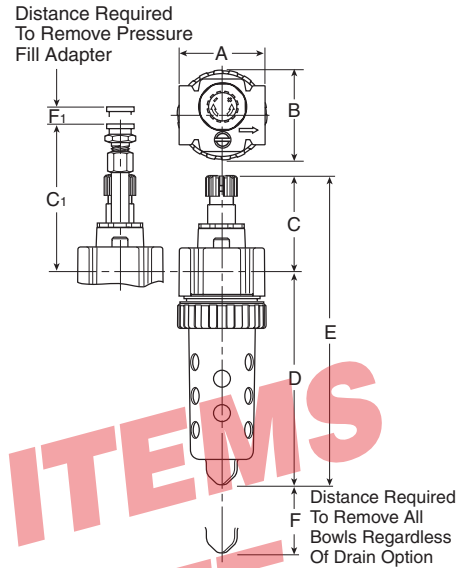
Accessories

15L Micro-Mist Lubricators – Economy



Features

- Proportional oil delivery over a wide range of air flows.
- Generates oil particles of 5 micron or smaller downstream to lubricate systems having complex piping arrangements.
- Precision needle valve assures repeatable oil delivery and provides simple adjustment of delivery rate.
- Ideal for low and high flow applications with changing air flow.
- Transparent sight dome for 360° visibility.
- Removable drip control knob for tamper resistance.
- High Flow: 1/4" – 40 SCFM[§]
 3/8" – 40 SCFM[§]



Port Size	NPT	
	Twist Drain	No Drain
Poly Bowl † / Metal Guard		
1/4"	—	15L12N*
3/8"	—	15L22N*
Metal Bowl / Sight Gauge		
1/4"	15L14N*	—
3/8"	15L24N*	—

A	B	C	C ₁
2.00 (51)	2.06 (52)	2.26 (57)	3.35 (85)
D	D [†]	E	E [†]
5.12 (130)	5.35 (136)	7.38 (187)	7.61 (193)
F	F [†]		
1.77 (45)	.39 (10)		

Inches (mm)
 † With Twist Drain.

Standard part numbers shown bold. For other models refer to ordering information below.
 † For polycarbonate bowl and sight dome, see Caution on page C2.
 § SCFM = Standard cubic feet per minute at 90 psig inlet and 5 psig pressure drop.

Ordering Information



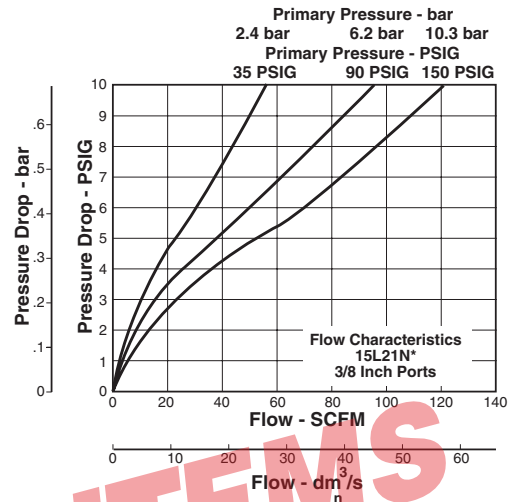
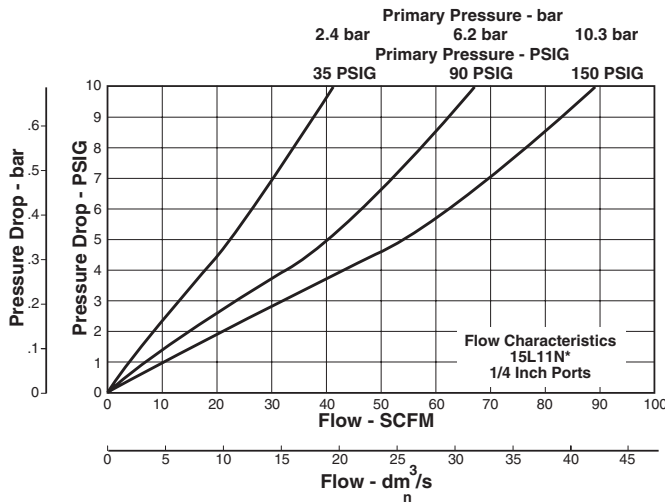
Port Size	Bowl Options		Fill Options	Engineering Level	Port Type	Options
1 1/4 Inch 2 3/8 Inch	Polycarbonate Bowl	Metal Bowl	B With Fill Plug F With Body Pressure Fill N No Fill Plug	A Current	Blank NPT 1* BSPP 2 BSPT	Blank No Options
	1 No Drain 2 Metal Bowl Guard / No Drain 5 Pressure Fill 6 Metal Bowl Guard / Pressure Fill	4 Sight Gauge / Twist Drain 8 Sight Gauge / Pressure Fill			* 1/4 & 3/8 inch meet ISO 1179-1 Standard.	

BOLD ITEMS ARE MOST POPULAR.



Technical Specifications – 15L

Technical Information



GRAYED OUT ITEMS
ARE OBSOLETE

15L Micro-Mist Lubricator Kits & Accessories

Adjustment Knob	P04121
Bowl Guard Kit	PS905P
Bowl Kits –	
Poly Bowl – No Drain	PS946P
Metal Bowl – Sight Gauge / Twist Drain	PS929P
Drain Kit – Twist Drain	PS512P
Mounting Bracket Kit	PS943P
Oil – 1 Gal.	F442002
12 Quart Case	F442003
4 Gallon Case	F442005
Pressure Fill Adapter Kit	PS916P
Service Kit	PS948P
Sight Dome Kit	PS740P
Sight Gauge Kit	PS914P

Specifications

Bowl Capacity	2.0 Ounces
Minimum Flow for Lubrication	2 SCFM at 100 psig
Port Threads	1/4, 3/8 Inch
Pressure & Temperature Ratings –	
Polycarbonate Bowl –	0 to 150 psig (0 to 10.3 bar) 32°F to 125°F (0°C to 52°C)
Metal Bowl –	0 to 250 psig (0 to 17.2 bar) 32°F to 175°F (0°C to 80°C)

Suggested LubricantF442 Oil
 Petroleum based oil of 100 to 200 SSU viscosity at 100°F (38°C) and an aniline point greater than 200°F (93)
 (DO NOT USE OILS WITH ADDITIVES, COMPOUNDED OILS CONTAINING SOLVENTS, GRAPHITE, DETERGENTS, OR SYNTHETIC OILS.)
Weight 1 lb. (0.45 kg)

Materials of Construction

Body	Zinc
Bowls – Transparent	Polycarbonate
Metal (With Sight Gauge)	Zinc
Bowl Guard	Steel
Collar	Plastic
Drains – Twist – Body & Nut	Plastic
Injector Meter Block & Base Assembly	Plastic
Seals	Nitrile
Sight Dome	Polycarbonate
Sight Gauge	Polyamide (Nylon)

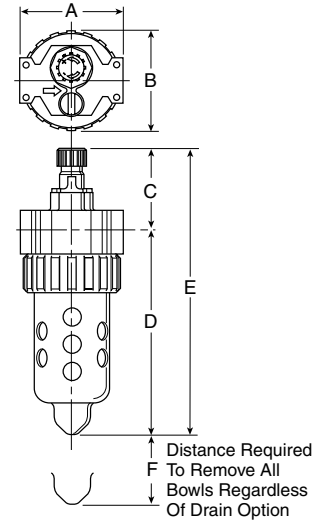
C	Product Selection
Filters	Coalescers
Regulators	Filter / Regulators
Lubricators	Compos
Accessories	

16L Micro-Mist Lubricators – Compact



Features

- Proportional oil delivery over a wide range of air flows.
- Generates oil particles of 5 micron or smaller downstream to lubricate systems having complex piping arrangements.
- Precision needle valve assures repeatable oil delivery and provides simple adjustment of delivery rate.
- Ideal for low and high flow applications with changing air flow.
- Transparent sight dome for 360° visibility.
- Yellow fill cap identifies Micro-Mist Lubricator.
- High Flow: 1/4" – 40 SCFM §
 3/8" – 60 SCFM §
 1/2" – 90 SCFM §



Port Size	NPT	
	Twist Drain	No Drain
Poly Bowl † / Metal Guard		
1/4"	—	16L12BE
3/8"	—	16L22BE
1/2"	—	16L32BE
Metal Bowl / Sight Gauge		
1/4"	16L14BE	—
3/8"	16L24BE	—
1/2"	16L34BE	—

16L Lubricator Dimensions		
A 2.81 (71)	B 2.74 (70)	C 2.24 (57)
D 5.58 (142)	D† 5.69 (145)	E 7.82 (199)
E† 7.93 (201)	F 2.25 (57)	

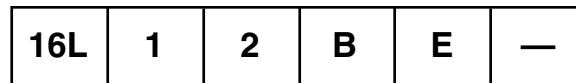
Inches (mm)
 †With Twist Drain.

Standard part numbers shown bold. For other models refer to ordering information below.

† For polycarbonate bowl and sight dome, see Caution on page C2.

§ SCFM = Standard cubic feet per minute at 90 psig inlet and 5 psig pressure drop.

Ordering Information



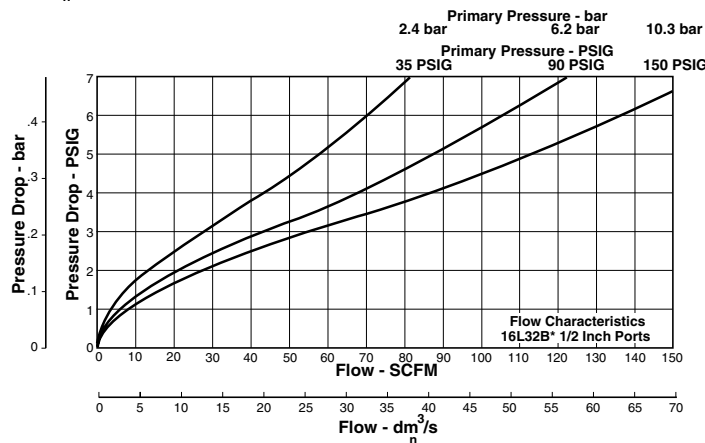
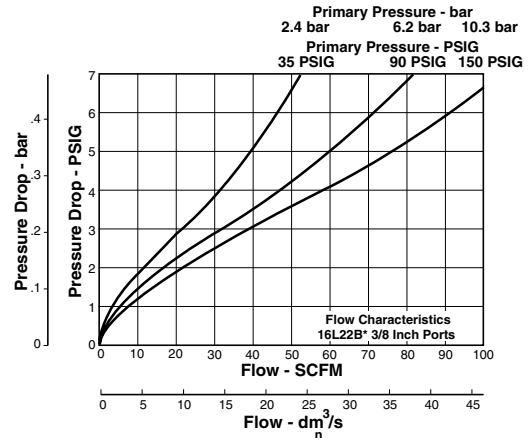
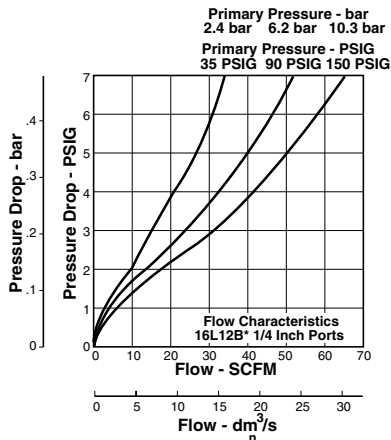
Port Size	Bowl Options		Options	Engineering Level	Port Type
1 1/4 Inch	Polycarbonate Bowl		B With Fill Plug	E Current	Blank NPT
2 3/8 Inch	2 Metal Bowl Guard / No Drain	<u>Metal Bowl</u>	C With Fill Plug/Nylon Sight Dome		1* BSPP
3 1/2 Inch	6 Metal Bowl Guard / Pressure Fill	4 Sight Gauge / Twist Drain	F With Body Pressure Fill		
	K Metal Bowl Guard / Auto Fill Device	8 Sight Gauge / Pressure Fill	G With Body Pressure Fill / Nylon Sight Dome		
	N Metal Bowl Guard / Twist Drain	M Sight Gauge / Auto Fill Device			

* 1/4 & 3/8 inch meet ISO 1179-1 Standard.

BOLD ITEMS ARE MOST POPULAR.



Technical Information



**16L Micro-Mist Lubricator
 Kits & Accessories**

Adjustment Knob	P04121
Bowl Guard Kit	PS705P
Bowl Kits –	
Poly Bowl – No Drain	PS746P
Twist Drain	PS717P
Pressure Fill	PS719P
Remote Fill	PS728P
Metal Bowl – Sight Gauge / Twist Drain	PS729P
Sight Gauge / Pressure Fill	PS720P
Drain Kit – Twist Drain	PS512P
Fill Cap Kit	PS742P
Lubricator Service Kit	PS748P
Mounting Bracket Kit	PS743P
Oil – 1 Gal.	F442002
12 Quart Case	F442003
4 Gallon Case	F442005
Pressure Fill Adapter Kit	PS716P
Pressure Fill Button	P11912
Remote Auto-Fill Device	PS505CP
Sight Dome / Fill Cap Kit	PS739P
Sight Dome Kit	PS740P
Nylon Sight Dome Kit	PS740N

Specifications

Bowl Capacity	2.60 Ounces
Minimum Flow for Lubrication	1 SCFM at 100 psig
Port Threads	1/4, 3/8, 1/2 Inch
Pressure & Temperature Rating –	
Polycarbonate Bowl – 0 to 150 psig (0 to 10.3 bar)	
32°F to 125°F (0°C to 52°C)	
Metal Bowl – 0 to 250 psig (0 to 17.2 bar)	
32°F to 175°F (0°C to 80°C)	
Suggested Lubricant	F442 Oil
Petroleum based oil of 100 to 200 SSU viscosity at 100°F (38°C)	
and an aniline point greater than 200°F (93	
(DO NOT USE OILS WITH ADDITIVES, COMPOUNDED OILS	
CONTAINING SOLVENTS, GRAPHITE, DETERGENTS, OR	
SYNTHETIC OILS.)	
Weight	1.2 lb. (.5 kg)

Materials of Construction

Body	Zinc
Bowls – Transparent	Polycarbonate
Metal (With Sight Gauge)	Zinc
Bowl Guard	Steel
Collar	Plastic
Drain – Twist – Body & Nut	Plastic
Injector Meter Block & Base Assembly	Plastic
Seals	Nitrile
Sight Dome	Polycarbonate
Sight Gauge	Polyamide (Nylon)



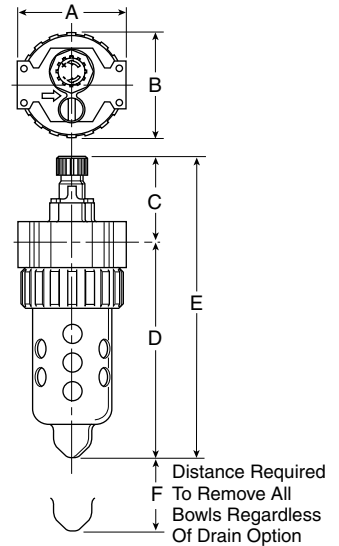
C	Product Selection
Filters	Coalescers
Regulators	Filter / Regulators
Lubricators	Compos
Accessories	

17L Micro-Mist Lubricators – Standard



Features

- Proportional oil delivery over a wide range of air flows.
- Generates oil particles of 5 micron or smaller downstream to lubricate systems having complex piping arrangements.
- Precision needle valve assures repeatable oil delivery and provides simple adjustment of delivery rate.
- Ideal for low and high flow applications with changing air flow.
- Transparent sight dome for 360° visibility.
- Yellow fill cap identifies Micro-Mist Lubricator.
- High Flow: 1/2" – 90 SCFM[§]
 3/4" – 90 SCFM[§]



Port Size	NPT	
	Twist Drain	No Drain
Poly Bowl † / Metal Guard		
1/2"	—	17L32BE
3/4"	—	17L42BE
Metal Bowl / Sight Gauge		
1/2"	17L34BE	—
3/4"	17L44BE	—

17L Lubricator Dimensions		
A 3.24 (82)	B 3.25 (83)	C 2.41 (61)
D 6.86 (174)	D† 6.95 (177)	E 9.09 (231)
E† 9.35 (237)	F 2.75 (70)	

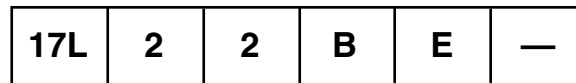
Standard part numbers shown bold. For other models refer to ordering information below.

† For polycarbonate bowl and sight dome, see Caution on page C2.

§ SCFM = Standard cubic feet per minute at 90 psig inlet and 5 psig pressure drop.

Inches (mm)
 † With Twist Drain.

Ordering Information

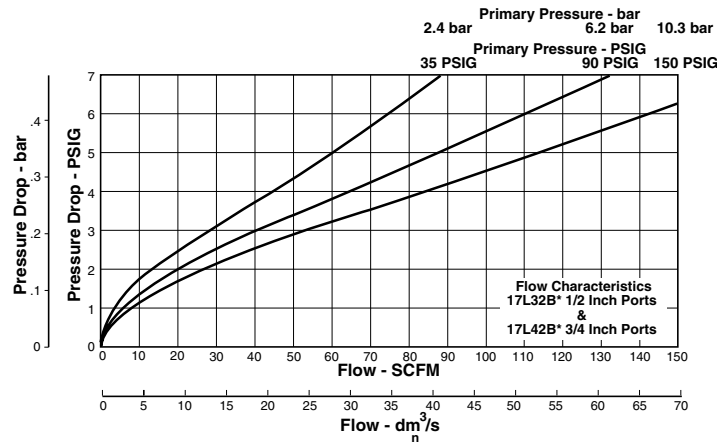


Port Size	Bowl Options		Options	Engineering Level	Port Type
3 1/2 Inch	<u>Polycarbonate Bowl</u>	<u>Metal Bowl</u>	B With Fill Plug	E Current	Blank NPT
4 3/4 Inch	2 Metal Bowl Guard / No Drain	4 Sight Gauge / Twist Drain	C With Fill Plug/Nylon Sight Dome		1 BSPP
	6 Metal Bowl Guard / Pressure Fill	8 Sight Gauge / Pressure Fill	F With Body Pressure Fill		
	K Metal Bowl Guard / Auto Fill Device	M Sight Gauge / Auto Fill Device	G With Body Pressure Fill / Nylon Sight Dome		
	N Metal Bowl Guard / Twist Drain				

*1/2 inch meets ISO 1179-1 Standard.

BOLD ITEMS ARE MOST POPULAR.

Technical Information



17L Micro-Mist Lubricator Kits & Accessories

Adjustment Knob	P04121
Bowl Guard Kit	PS805P
Bowl Kits –	
Poly Bowl – No Drain	PS846P
Twist Drain	PS817P
Pressure Fill	PS819P
Remote Fill	PS828P
Metal Bowl – Sight Gauge / Twist Drain	PS829P
Sight Gauge / Pressure Fill	PS820P
Drain Kit – Twist Drain	PS512P
Fill Cap Kit	PS742P
Lubricator Service Kit	PS748P
Mounting Bracket Kit	PS843P
Oil – 1 Gal.	F442002
12 Quart Case	F442003
4 Gallon Case	F442005
Pressure Fill Adapter Kit	PS716P
Pressure Fill Button	P11912
Remote Auto-Fill Device	PS505CP
Sight Dome / Fill Cap Kit	PS739P
Sight Dome Kit	PS740P
Nylon Sight Dome Kit	PS740N

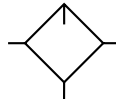
Specifications

Bowl Capacity	4.9 Ounces
Minimum Flow for Lubrication	1 SCFM at 100 psig
Port Threads	1/2, 3/4 Inch
Pressure & Temperature Rating –	
Polycarbonate Bowl – 0 to 150 psig (0 to 10.3 bar)	32°F to 125°F (0°C to 52°C)
Metal Bowl – 0 to 250 psig (0 to 17.2 bar)	32°F to 175°F (0°C to 80°C)
Suggested Lubricant	F442 Oil
Petroleum based oil of 100 to 200 SSU viscosity at 100°F (38°C) and an aniline point greater than 200°F (93°C)	
(DO NOT USE OILS WITH ADDITIVES, COMPOUNDED OILS CONTAINING SOLVENTS, GRAPHITE, DETERGENTS, OR SYNTHETIC OILS.)	
Weight	1.9 lb. (.9 kg)
Materials of Construction	
Body	Zinc
Bowls – Transparent	Polycarbonate
Metal (With Sight Gauge)	Zinc
Bowl Guard	Steel
Collar	Plastic or Metal
Drain – Twist – Body & Nut	Plastic
Injector Meter Block & Base Assembly	Plastic
Seals	Nitrile
Sight Dome	Polycarbonate
Sight Gauge	Polyamide (Nylon)

C
Product Selection
Filters
Coalescers
Regulators
Filter / Regulators
Lubricators
Combos
Accessories


Product Selection
Filters
Coalescers
Regulators
Filter / Regulators
Lubricators
Combos
Accessories

Mist Lubricators



- Pipe Sizes 1/8 thru 2 Inch
- Flows to 1000 SCFM
- Pressures to 250 psig

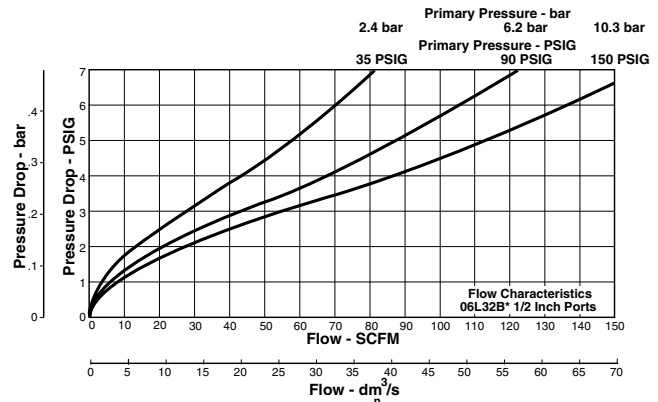
Mist Air Lubricators are designed to provide lubrication for most general applications in a pneumatic system. Units should be installed close to the application ensuring effective distribution of oil to pneumatic components.

- Miniature 02L Series, 1/4 and 3/8 Inch
- Miniature 04L Series, 1/8 and 1/4 Inch
- Compact 06L Series, 1/4, 3/8 and 1/2 Inch
- Standard 07L Series, 3/8, 1/2 and 3/4 Inch
- Hi-Flow P3NL Series, 3/4, 1 and 1-1/2 Inch
- Hi-Flow L606 Series, 3/4, 1, 1-1/4 and 1-1/2 Inch
- Hi-Flow 09L Series, 2 Inch

Lubricator Selection

1. Determine maximum system flow requirements.
2. Determine maximum allowable pressure drop at rated flow in SCFM.
3. Refer to flow chart and select lubricator by choosing the curve that offers minimum pressure drop at desired flow in SCFM.

Reading Flow Charts to Size Mist Lubricators



Once the required flow is determined for a pneumatic application the lubricator can be selected by using the flow chart. To read the lubricator flow chart, first determine the inlet pressure that will be used. Find the appropriate pressure curve on the graph. Each graph will contain three pressure curves. If the required inlet pressure is not on the graph, interpolate a similar curve for the required pressure. Next, determine the acceptable pressure drop across the lubricator and locate it on the vertical axis. Find the intersection point of the acceptable pressure drop and the inlet pressure curve. At this point follow a vertical path downward to view the flow in SCFM.

If the flow is too low, select a larger port size or body size to give the required flow. If the flow is higher than necessary, select a smaller port size or body size to give the required flow.

F442 Oil



Quantity	Part Numbers
1 Quart	F442001
1 Gallon	F442002
12 Quart Case	F442003
4 Gallon Case	F442005

Petroleum based oil of 100 to 200 SSU viscosity at 100°F (38°C) and an aniline point greater than 200°F (93°C)

(DO NOT USE OILS WITH ADDITIVES, COMPOUNDED OILS CONTAINING SOLVENTS, GRAPHITE, DETERGENTS, OR SYNTHETIC OILS.)

Lubricators

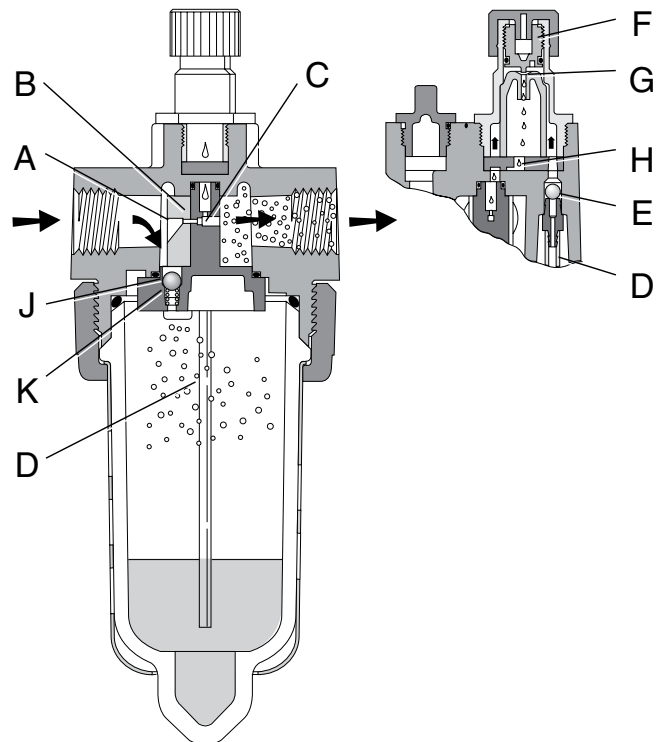
Mist

These lubricators inject an oil aerosol into the flowing air stream to automatically provide the proper amount of internal lubrication to air operated tools or other pneumatic devices.

Operation

Air flowing through the unit goes through two paths. At low air flow rates, the majority of the air flows through venturi section **(A)**. The rest of the air slightly deflects and flows by the flapper **(B)**, restrictor disc **(M)** on the 09L. The velocity of the air flowing through venturi section **(A)** creates a pressure drop at throat section **(C)**. This lower pressure allows oil to be forced from the reservoir through the pickup tube **(D)** past the check ball **(E)**, to the dome assembly where the rate of oil flow is controlled by metering screw **(F)**. Rotation of the metering screw **(F)** in the counterclockwise direction increases the oil flow rate; in the clockwise direction decreases the oil flow rate. Oil then flows through the clearance between inner and outer sight domes **(G)** where drops are formed and drip into the nozzle tube **(H)**. On the 09L, oil flows through the drip tube **(F)** where drops are formed and drip into the throat section **(C)**. Here it is then broken into fine particles and mixed with the swirling air to be carried to the venturi outlet where it joins the air by passing the flapper **(B)**, **(M)**. As air flow rate increases, the flapper **(B)**, **(M)** deflects, allowing a greater part of the additional air to bypass the venturi section **(A)**. This assures the oil delivery rate increases linearly with increased air flow rate. The check ball **(E)** assures that when there is no oil flow the oil in the pickup tube does not return to the reservoir.

The bowl can be filled under pressure due to the action of the check ball **(J)**. When the fill cap is removed, air in the bowl escapes and pressure forces the check ball **(J)** to nearly seal at **(K)**. When the fill cap is replaced, the small amount of air flow past check ball **(J)** builds up pressure and together with the spring forces the check ball **(J)** off seat **(K)**, letting full line pressure into the bowl.



Product Selection

Filters

Coalescers

Regulators

Filter / Regulators

Lubricators

Combs

Accessories



Product Selection

Filters

Coalescers

Regulators

Filter / Regulators

Lubricators

Compos

Accessories

02L Lubricator – Miniature

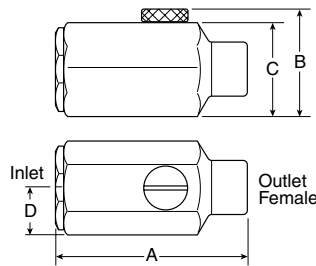


Features

- Extends the service life of air operated hand tools.
- Reduces downtime of air operated equipment, saves money.
- Small / lightweight.
- Automatic lubrication with air tool operation.
- Adjustable oil flow.
- Corrosion resistant.
- Full swivel outlet port.

Application

In-Line Lubricators assure proper lubrication for small pneumatic hand tools. These in-line lubricators put the oil source right at the tool. Oil capacity is 1/4 oz. (1 ml), enough to last through an average 8-hour shift. This lubricator requires cyclical or intermittent airflow for proper operation, and consequently works best when installed at the tool inlet or on a short hose near the tool. The 02L cannot be filled under pressure.



Dimensions

Part Number	A	B	C	D
02LFB	2.65 (67)	1.305 (33)	1.125 (28.5)	.65 (16.5)
02L1B	2.93 (74)	1.305 (33)	1.125 (28.5)	.65 (16.5)
02L2B	3.19 (81)	1.305 (33)	1.125 (28.5)	.65 (16.5)

Inches (mm)

Ordering Information

Port Size	Female Threads Inlet / Female Threads Outlet	Female Threads Inlet / Male Threads Outlet
1/4"	02LFB	02L1B
3/8"	N/A	02L2B

Specifications

Flow Capacity* (1/4)	29 SCFM (13.6 dm ³ /s)
(3/8)	30 SCFM (14.2 dm ³ /s)
Operating Temperature	32° to 150°F (0° to 65.5°C)
Maximum Supply Pressure	200 psig (13.8 bar)
Oil Capacity	0.25 oz. (7.4 cm ³)
Port Size	1/4, 3/8 NPT / BSPT
Weight	0.2 lb. (0.1 kg)

* Inlet pressure 90 psig (6.2 bar). Pressure drop 5 PSID (0.3 bar).

Materials of Construction

Body Aluminum
Seals Nitrile

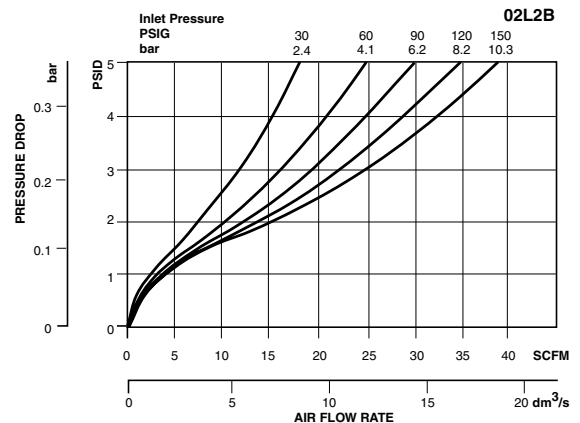
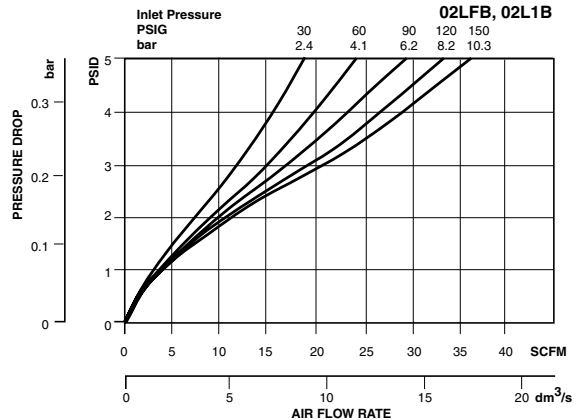
Suggested Lubricant F442 Oil

Petroleum based oil of 100 to 200 SSU viscosity at 100°F (38°C) and an aniline point greater than 200°F (93°C)

(DO NOT USE OILS WITH ADDITIVES, COMPOUNDED OILS CONTAINING SOLVENTS, GRAPHITE, DETERGENTS, OR SYNTHETIC OILS.)

Replacement Kits

Fill Plug Kit – Brass Fill Plug and O-ring	PS434
O-ring Repair Kit	PS435

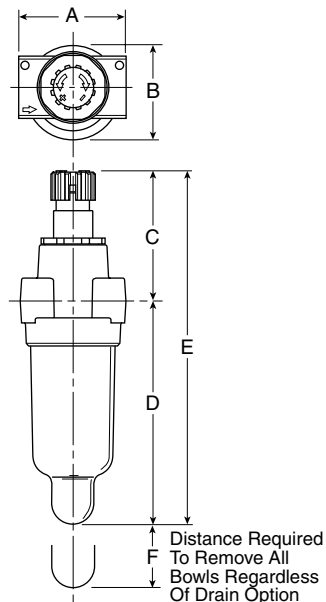


04L Mist Lubricators – Miniature



Features

- Proportional oil delivery over a wide range of air flows.
- Precision needle valve assures repeatable oil delivery and provides simple adjustment of delivery rate.
- Ideal for low and high flow applications with changing air flow.
- Transparent sight dome for 360° visibility.
- High Flow: 1/8" – 20 SCFM[§]
 1/4" – 20 SCFM[§]



Distance Required To Remove All Bowls Regardless Of Drain Option

Port Size	NPT	
	Twist Drain	No Drain
Poly Bowl †		
1/8"	—	04L00GB
1/4"	—	04L10GB
Metal Bowl without Sight Gauge		
1/8"	04L03GB	—
1/4"	04L13GB	—

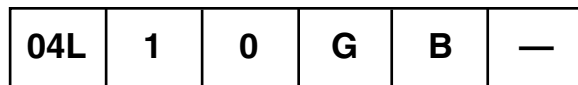
04L Lubricator Dimensions		
A	B	C
1.73 (44)	1.56 (40)	2.16 (55)
D	D†	E
3.64 (92)	3.78 (96)	5.80 (147)
E†	F	
5.94 (151)	1.60 (41)	

Inches (mm)
 † With Twist Drain.

Standard part numbers shown bold. For other models refer to ordering information below.

† For polycarbonate bowl and sight dome, see Caution on page C2.
 § SCFM = Standard cubic feet per minute at 90 psig inlet and 5 psig pressure drop.

Ordering Information



Port Size
0 1/8 Inch
1 1/4 Inch

Bowl Options	
Polycarbonate Bowl	Metal Bowl
0 Without Drain	3 Twist Drain
1 Twist Drain	

Body
G No Fill Plug

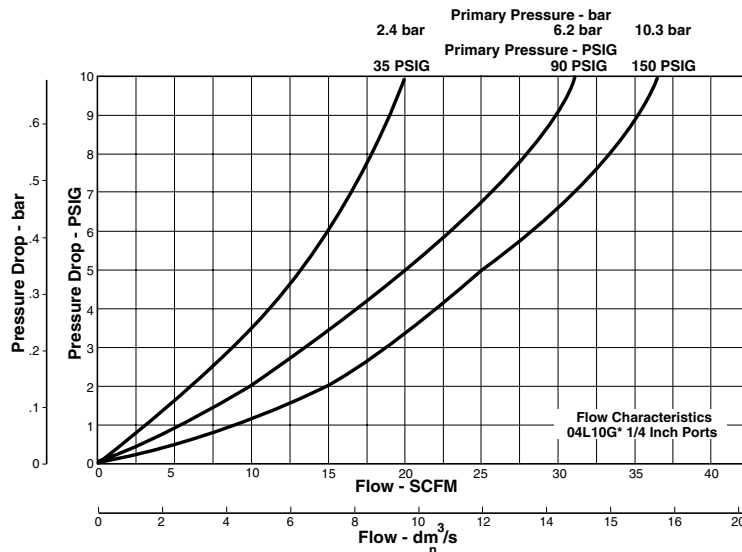
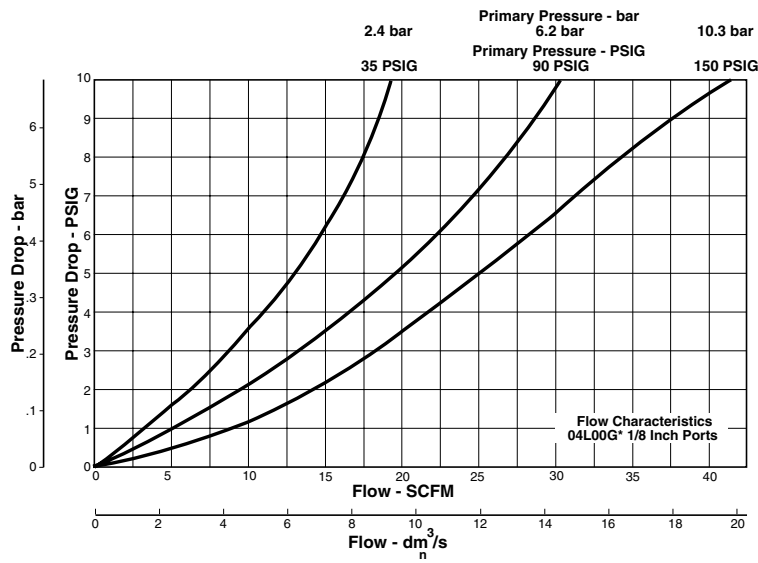
Engineering Level
B Current

Port Type	
Blank	NPT
1	BSPP
2	BSPT

BOLD ITEMS ARE MOST POPULAR.



Technical Information



04L Mist Lubricator Kits & Accessories

Bowl Kits –

- Poly Bowl – No Drain PS421P
- Twist Drain PS420P
- Metal Bowl – Twist Drain (No Sight Gauge) PS447BP

Mounting Bracket Kit PS419

- Oil – 1 Gal.** F442002
- 12 Quart Case F442003
- 4 Gallon Case F442005

Specifications

- Bowl Capacity** 1 Ounce
- Minimum Flow for Lubrication** 0.5 SCFM at 100 psig
- Port Threads** 1/8, 1/4 Inch
- Pressure & Temperature Ratings –**
 - Polycarbonate Bowl – 0 to 150 psig (0 to 10.3 bar)
32°F to 125°F (0°C to 52°C)
 - Metal Bowl – 0 to 250 psig (0 to 17.2 bar)
32°F to 175°F (0°C to 80°C)

Suggested Lubricant – F442 Oil
 Petroleum based oil of 100 to 200 SSU viscosity at 100°F (38°C) and an aniline point greater than 200°F (93°C).
 (DO NOT USE OILS WITH ADDITIVES, COMPOUNDED OILS CONTAINING SOLVENTS, GRAPHITE, DETERGENTS, OR SYNTHETIC OILS.)
Weight 0.4 lb. (0.18 kg)

Materials of Construction

- Body** Zinc
- Bowls –** Transparent Polycarbonate
Metal (Without Sight Gauge) Zinc
- Drains –** Twist – Body & Nut Plastic
- Seals** Nitrile
- Sight Dome** Polycarbonate

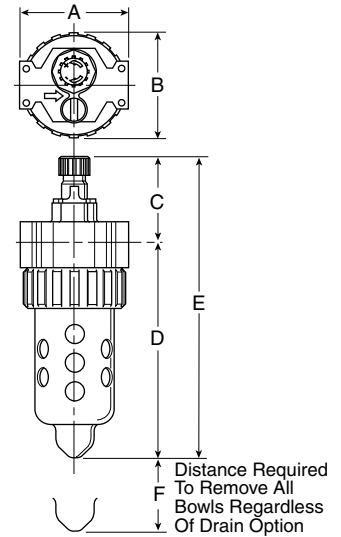
Product Selection
Filters
Coalescers
Regulators
Filter / Regulators
Lubricators
Combos
Accessories

06L Mist Lubricators – Compact



Features

- Proportional oil delivery over a wide range of air flows.
- Precision needle valve assures repeatable oil delivery and provides simple adjustment of delivery rate.
- Bowl can be filled while air line is under pressure.
- Transparent sight dome for 360° visibility.
- High Flow: 1/4" – 40 SCFM[§]
 3/8" – 60 SCFM[§]
 1/2" – 90 SCFM[§]



Distance Required To Remove All Bowls Regardless Of Drain Option

Port Size	NPT	
	Twist Drain	No Drain
Poly Bowl † / Metal Guard		
1/4"	—	06L12BE
3/8"	—	06L22BE
1/2"	—	06L32BE
Metal Bowl / Sight Gauge		
1/4"	06L14BE	—
3/8"	06L24BE	—
1/2"	06L34BE	—

06L Lubricator Dimensions		
A 2.81 (71)	B 2.74 (70)	C 2.24 (57)
D 5.58 (142)	D† 5.69 (145)	E 7.82 (199)
E† 7.93 (201)	F 2.25 (57)	

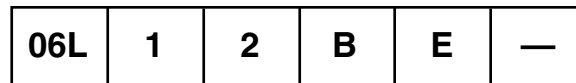
Inches (mm)
 †With Twist Drain.

Standard part numbers shown bold. For other models refer to ordering information below.

† For polycarbonate bowl and sight dome, see Caution on page C2.

§ SCFM = Standard cubic feet per minute at 90 psig inlet and 5 psig pressure drop.

Ordering Information



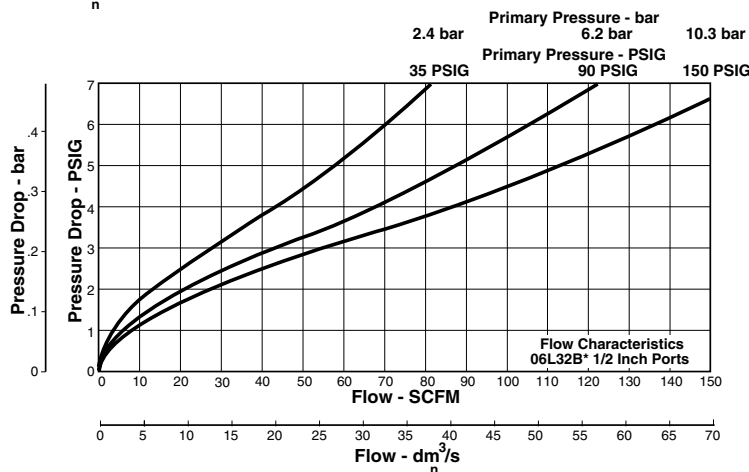
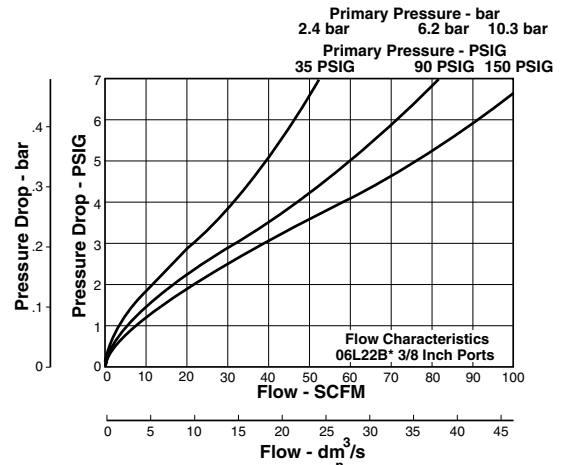
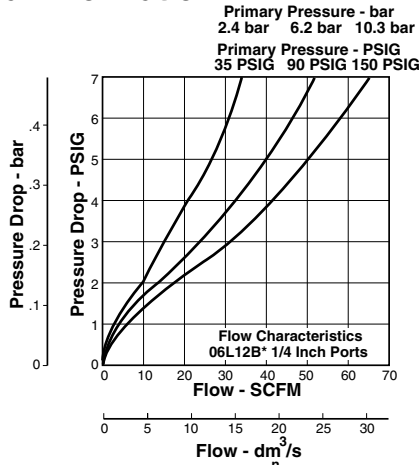
Port Size	Bowl Options		Options	Engineering Level	Port Type
1 1/4 Inch	Polycarbonate Bowl		B With Fill Plug	E Current	Blank NPT
2 3/8 Inch	2 Metal Bowl Guard / No Drain	4 Sight Gauge / Twist Drain	C With Fill Plug/Nylon Sight Dome		1* BSPP
3 1/2 Inch	6 Metal Bowl Guard / Pressure Fill	8 Sight Gauge / Pressure Fill	F With Body Pressure Fill		
	K Metal Bowl Guard / Auto Fill Device	M Sight Gauge / Auto Fill Device	G With Body Pressure Fill / Nylon Sight Dome		
	N Metal Bowl Guard / Twist Drain				

* 1/4 & 3/8 inch meet ISO 1179-1 Standard.

BOLD ITEMS ARE MOST POPULAR.



Technical Information



06L Mist Lubricator Kits & Accessories

Adjustment Knob	P04121
Bowl Guard Kit	PS705P
Bowl Kits –	
Poly Bowl – No Drain	PS746P
Twist Drain	PS717P
Pressure Fill	PS719P
Remote Fill	PS728P
Metal Bowl – Sight Gauge / Twist Drain	PS729P
Sight Gauge / Pressure Fill	PS720P
Drain Kit – Twist Drain	PS512P
Fill Cap Kit	PS741P
Lubricator Service Kit	PS718P
Mounting Bracket Kit	PS743P
Oil – 1 Gal.	F442002
12 Quart Case	F442003
4 Gallon Case	F442005
Pressure Fill Adapter Kit	PS716P
Pressure Fill Button	P11912
Remote Auto-Fill Device	PS505CP
Sight Dome / Fill Cap Kit	PS738P
Sight Dome Kit	PS740P
Nylon Sight Dome Kit	PS740N

Specifications

Bowl Capacity 2.9 Ounces
Minimum Flow for Lubrication5 SCFM At 100 psig
Port Threads 1/4, 3/8, 1/2 Inch
Pressure & Temperature Rating –
 Polycarbonate Bowl – 0 to 150 psig (0 to 10.3 bar)
 32°F to 125°F (0°C to 52°C)
 Metal Bowl – 0 to 250 psig (0 to 17.2 bar)
 32°F to 175°F (0°C to 80°C)
Suggested Lubricant F442 Oil
 Petroleum based oil of 100 to 200 SSU viscosity at 100°F (38°C)
 and an aniline point greater than 200°F (93°C)
 (DO NOT USE OILS WITH ADDITIVES, COMPOUNDED OILS
 CONTAINING SOLVENTS, GRAPHITE, DETERGENTS, OR
 SYNTHETIC OILS.)

Weight 1.2 lb. (0.5 kg)

Materials of Construction

Body Zinc
Bowls – Transparent Polycarbonate
 Metal (With Sight Gauge) Zinc
Bowl Guard Steel
Collar Plastic
Drain – Twist – Body & Nut Plastic
Injector Meter Block & Base Assembly Plastic
Seals Nitrile
Sight Dome Polycarbonate
Sight Gauge Polyamide (Nylon)

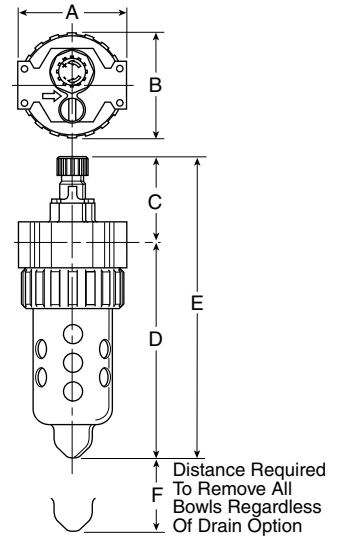
C
Product Selector
Filters
Coalescers
Regulators
Filter / Regulators
Lubricators
Combos
Accessories

07L Mist Lubricators – Standard



Features

- Proportional oil delivery over a wide range of air flows.
- Precision needle valve assures repeatable oil delivery and provides simple adjustment of delivery rate.
- Bowl can be filled while air line is under pressure.
- Transparent sight dome for 360° visibility.
- High Flow: 1/2" – 90 SCFM[§]
 3/4" – 90 SCFM[§]



Distance Required To Remove All Bowls Regardless Of Drain Option

Port Size	NPT	
	Twist Drain	No Drain
Poly Bowl † / Metal Guard		
1/2"	—	07L32BE
3/4"	—	07L42BE
Metal Bowl / Sight Gauge		
1/2"	07L34BE	—
3/4"	07L44BE	—

07L Lubricator Dimensions		
A 3.24 (82)	B 3.25 (83)	C 2.41 (61)
D 6.86 (174)	D† 6.95 (177)	E 9.09 (231)
E† 9.35 (237)	F 2.75 (70)	

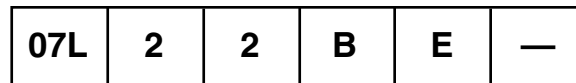
Inches (mm)
 † With Twist Drain.

Standard part numbers shown bold. For other models refer to ordering information below.

† For polycarbonate bowl and sight dome, see Caution on page C2.

§ SCFM = Standard cubic feet per minute at 90 psig inlet and 5 psig pressure drop.

Ordering Information

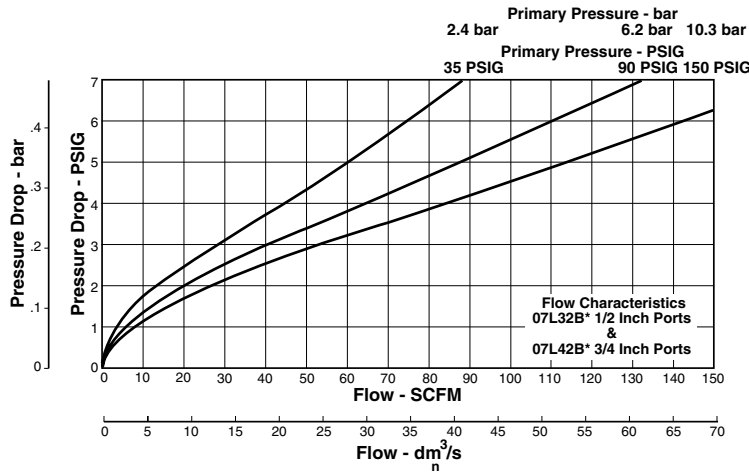


Port Size	Bowl Options		Options	Engineering Level	Port Type
3 1/2 Inch 4 3/4 Inch	<u>Polycarbonate Bowl</u> 2 Metal Bowl Guard / No Drain 6 Metal Bowl Guard / Pressure Fill K Metal Bowl Guard / Auto Fill Device N Metal Bowl Guard / Twist Drain	<u>Metal Bowl</u> 4 Sight Gauge / Twist Drain 8 Sight Gauge / Pressure Fill M Sight Gauge / Auto Fill Device	B With Fill Plug C With Fill Plug/Nylon Sight Dome F With Body Pressure Fill G With Body Pressure Fill / Nylon Sight Dome	E Current	Blank NPT 1* BSPP

* 1/2 inch meets ISO 1179-1 Standard.

BOLD ITEMS ARE MOST POPULAR.

Technical Information



07L Mist Lubricator Kits & Accessories

Adjustment Knob	P04121
Bowl Guard Kit	PS805P
Bowl Kits –	
Poly Bowl – No Drain.....	PS846P
Twist Drain	PS817P
Pressure Fill.....	PS819P
Remote Fill.....	PS828P
Metal Bowl – Sight Gauge / Twist Drain.....	PS829P
Sight Gauge / Pressure Fill.....	PS820P
Drain Kit – Twist Drain	PS512P
Fill Cap Kit.....	PS741P
Lubricator Service Kit	PS718P
Mounting Bracket Kit	PS843P
Oil – 1 Gal.....	F442002
12 Quart Case.....	F442003
4 Gallon Case	F442005
Pressure Fill Adapter Kit	PS716P
Pressure Fill Button	P11912
Remote Auto-Fill Device	PS505CP
Sight Dome / Fill Cap Kit	PS738P
Sight Dome Kit	PS740P
Nylon Sight Dome Kit	PS740N

Specifications

Bowl Capacity	6.0 Ounces
Minimum Flow for Lubrication5 SCFM At 100 psig
Port Threads.....	1/2, 3/4 Inch
Pressure & Temperature Rating –	
Polycarbonate Bowl – 0 to 150 psig (0 to 10.3 bar)	
32°F to 125°F (0°C to 52°C)	
Metal Bowl – 0 to 250 psig (0 to 17.2 bar)	
32°F to 175°F (0°C to 80°C)	
Suggested Lubricant	F442 Oil
Petroleum based oil of 100 to 200 SSU viscosity at 100°F (38°C)	
and an aniline point greater than 200°F (93°C).	
(DO NOT USE OILS WITH ADDITIVES, COMPOUNDED OILS	
CONTAINING SOLVENTS, GRAPHITE, DETERGENTS, OR	
SYNTHETIC OILS.)	

Weight 1.9 lb. (0.9 kg)

Materials of Construction

Body	Zinc
Bowls – Transparent	Polycarbonate
Metal (With Sight Gauge).....	Zinc
Bowl Guard	Steel
Collar	Plastic or Metal
Drain – Twist – Body & Nut	Plastic
Injector Meter Block & Base Assembly	Plastic
Seals.....	Nitrile
Sight Dome	Polycarbonate
Sight Gauge	Polyamide (Nylon)

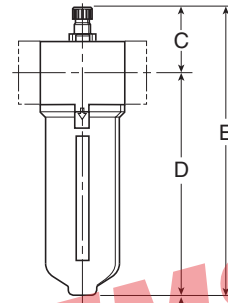
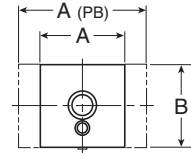
C	Product Selection
Filters	Coalescers
Regulators	Filter / Regulators
Lubricators	Compos
Accessories	

P3NL Mist Lubricators – Hi-Flow



Features

- Port blocks (PB) available to provide 1-1/2" port extension to 1" ported bodies.
- Proportional oil delivery over a wide range of air flows.
- Bowl can be filled while air line is under pressure.
- Transparent sight dome for 360° visibility.
- High Flow: 3/4" – 240 SCFM[§]
 1" – 250 SCFM[§]
 1-1/2" – 260 SCFM[§]



Distance Required
 F To Remove All
 Bowls

Port Size	NPT
	No Drain
Metal Bowl / Sight Gauge	
3/4"	P3NLA96LSN
1"	P3NLA98LSN
1-1/2" #	P3NLA9PLSN

P3NL Lubricator Dimensions		
A	A _{PB}	B
3.62 (92)	5.91 (150)	3.62 (92)
C	D	E
2.81 (71)	9.00 (229)	11.81 (300)
F		
4.92 (125)		

Inches (mm)

Standard part numbers shown bold. For other models refer to ordering information below
 # 1" Port Body with 1-1/2" Port Block.
 § SCFM = Standard cubic feet per minute at 90 psig inlet and 5 psig pressure drop.

Ordering Information

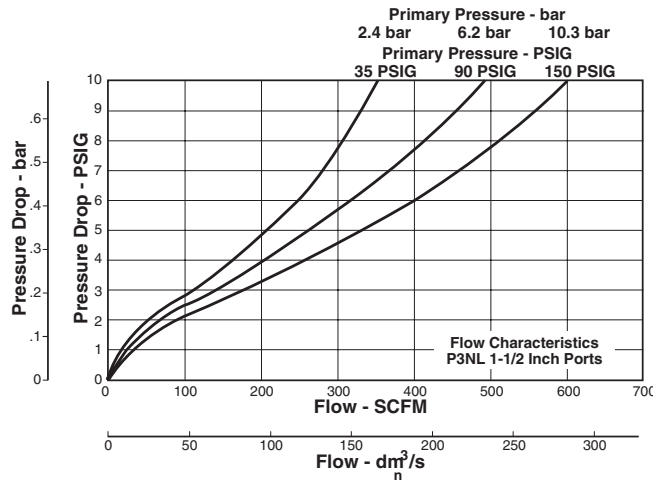
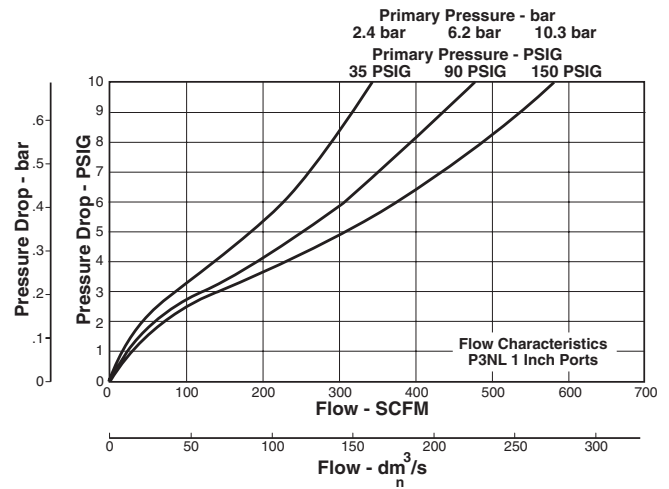
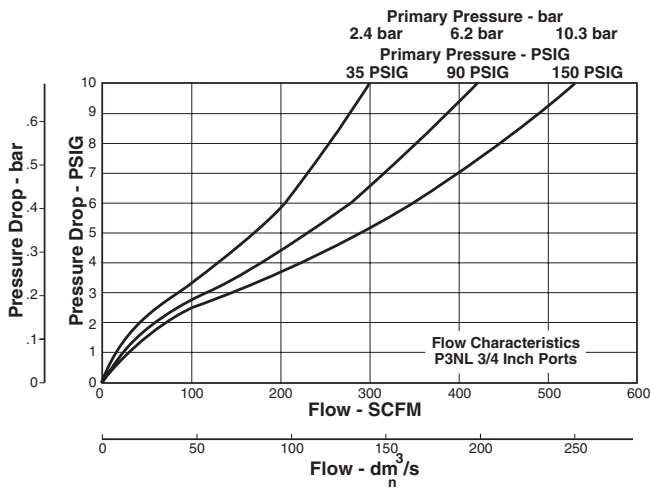


Engineering Level A Current	Port Type 1* G Thread (BSPP) Female 2 Rc Thread (BSPT) Female 9 NPT Female <small>* 3/4 & 1 inch meet ISO 1179-1 Standard.</small>	Port Size 6 3/4" (w/o Port Blocks) 8 1" (w/o Port Blocks) P 1-1/2" Port Blocks (w/ 1" Ported Body)	Type Oil Mist L w/ Polycarbonate Sight Dome A w/ Nylon Sight Dome	Bowl S Metal Bowl w/ Sight Gauge	Drain / Fill Device A Auto Fill / Fill Plug N No Drain, Solid Bowl / Fill Plug M Twist Drain / Fill Plug H No Drain / Body Pressure Fill J Twist Drain / Body Pressure Fill
---------------------------------------	--	---	---	---	--

Note: BSPP ported units supplied using NPT ported bodies and BSPP port block kits.

BOLD ITEMS ARE MOST POPULAR.

Technical Information



P3NL Lubricator Kits & Accessories

- Adjustment Knob P04121
- Bowl Kits –
 - Metal Bowl – Sight Gauge / Twist Drain..... P3NKA00BSM
 - Metal Bowl – Sight Gauge / No Drain P3NKA00BSN
- Bowl Latch KitC11A33
- Drain Kit – Twist Drain PS512P
- Fill Cap Kit P3NKA00PL
- Sight Dome Kit – Polycarbonate PS740P
- Nylon..... PS740N
- Sight Gauge Kit P3NKA00PE
- Pressure Fill Adapter Kit P3NKA00PK
- Service Kit P3NKA00RL
- Mounting Bracket Kit* P3NKA00MW
- Oil – 1 Gal. F442002
- 12 Quart Case..... F442003
- 4 Gallon Case..... F442005

* If 1-1/2 BSPP E02 fittings are required, use P3NKA0BMW.

Specifications

- Bowl Capacity 18.0 Ounces
- Minimum Flow for Lubrication 6.6 SCFM at 100 psig
- Pressure & Temperature Rating 0 to 250 psig (0 to 17.2 bar)
 32°F to 175°F (0°C to 80°C)
- Suggested Lubricant F442 Oil
 Petroleum based oil of 100 to 200 SSU viscosity at 100°F (38°C)
 and an aniline point greater than 200°F (93°C).
 (DO NOT USE OILS WITH ADDITIVES, COMPOUNDED OILS
 CONTAINING SOLVENTS, GRAPHITE, DETERGENTS, OR
 SYNTHETIC OILS.)
- Weight – 3/4 Inch 3.5 lb. (1.6 kg)
- 1 Inch 3.5 lb. (1.6 kg)
- 1-1/2 Inch† 4.6 lb. (2.1 kg)

Materials of Construction

- Body, Bowl Aluminum
- Drains: Twist Drain (Optional) Plastic
- Injector Meter Block & Base Assembly Plastic
- Seals Nitrile
- Sight Dome Polycarbonate
- Sight Gauge Polyamide (Nylon)

† 1" Port Body with 1-1/2" Port Block.



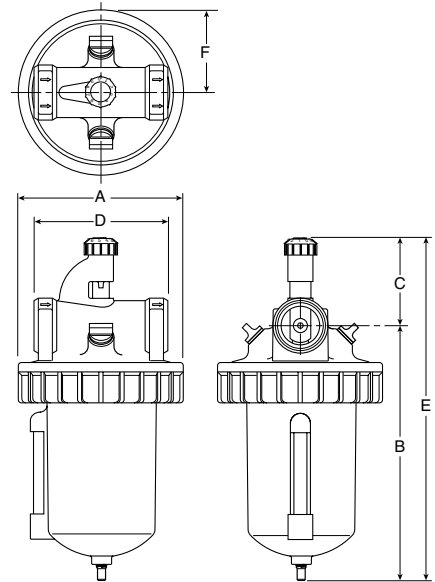
C	Product Selection
Filters	Coalescers
Regulators	Filter / Regulators
Lubricators	Compos
Accessories	

L606 Standard Lubricators



Features

- Metal Bowl with Sight Gauge - Standard
- Polycarbonate Sight Dome
- Bowl can be Filled while Air Line is Under Pressure
- Proportional Oil Delivery Over a Wide Range of Air Flows
- Large Capacity Bowl
- Optional High Capacity Bowl(s) Available
- Precision Needle Valve Assures Repeatable Oil Delivery and Provides Simple Adjustment of Delivery Rate
- High Flow: 3/4" - 325 SCFM[§]
 1" - 350 SCFM[§]



C
 Product Selection
 Filters
 Coalescers
 Regulators
 Filter / Regulators
 Lubricators
 Combs
 Accessories

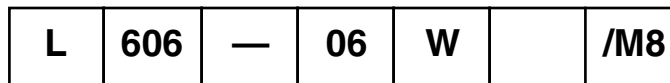
Port Size	NPT	BSPP
Zinc Bowl / Sight Gauge / Drain		
3/4"	L606-06W/M8	L606G06W/M8
1"	L606-08W/M8	L606G08W/M8
Aluminum Bowl 32 oz. without Sight Gauge, With Drain		
3/4"	L606-06E/M8	L606G06E/M8
1"	L606-08E/M8	L606G08E/M8
Aluminum Bowl 64 oz. with Sight Gauge, No Drain		
3/4"	L606-06G/M8	L606G06G/M8
1"	L606-08G/M8	L606G08G/M8

L606 Lubricator Dimensions					
A	B	C	D	E	F
L606-06W, L606-08W					
4.97 (126)	7.25 (184)	2.63 (66.7)	4.06 (103)	9.88 (251)	2.48 (63.1)
L606-06E, L606-08E					
4.97 (126)	10.75 (273)	2.63 (66.7)	4.06 (103)	13.38 (340)	2.48 (63.1)
L606-06G, L606-08G					
5.00 (127)	9.40 (239)	2.62 (66)	4.06 (103)	12.02 (305)	2.50 (64)

inches
(mm)

Bold Items are Most Popular.
For other models refer to ordering information below.
[§] SCFM = Standard cubic feet per minute at 100 psig inlet, and 5 psig pressure drop.

Ordering Information



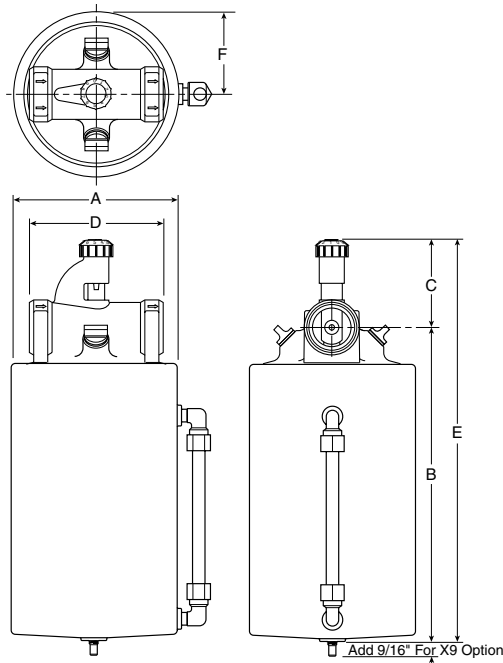
Port Threads	Port Size	Bowl			Options	Engineering Level
— NPT G BSPP	06 3/4 Inch 08 1 Inch	Bowl Capacity	Description	Size	Blank None H Button Head Fill Fitting X9* Manual Twist Drain (Increases Product Length by 9/16 Inch)	/M8 Current
		E 32 oz.	Large Capacity without Sight Gauge with Drain	3/4" & 1"		
		G 64 oz.	Large Capacity with Sight Gauge	3/4" & 1"		
		W 16 oz.	Metal with Sight Gauge & Drain	3/4" & 1"		

* Standard with "E" & "W" Bowl. Optional with "G" Bowl.

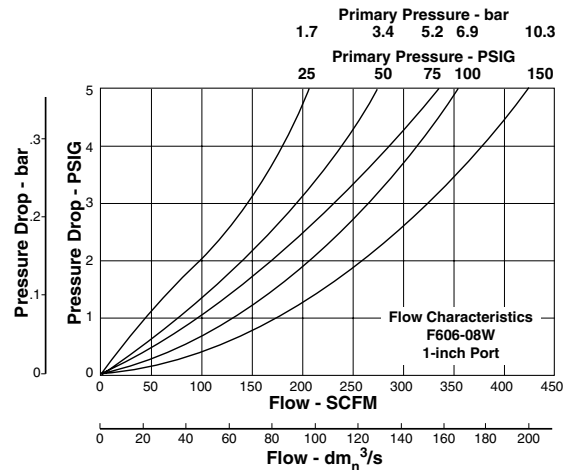
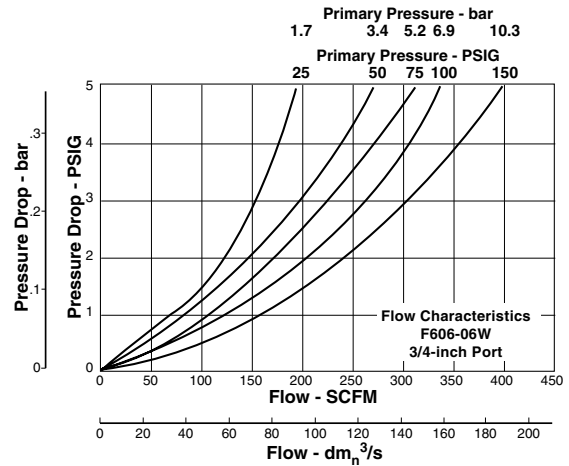
BOLD ITEMS ARE MOST POPULAR.



Technical Information



L606-08G



L606 Lubricator Kits & Accessories

- Adjusting Knob** 606Y72
- Bowl Kits –**
- Aluminum (E) BK603B
- Aluminum with Sight Gauge (G) BK606X30B
- Zinc with Sight Gauge (W) BK609WB
- Button Head Fill Fitting** (M14 male thread) L606C14
- Dip Tube Kit** DTK606
- Drip Spout Kit** RK606SY
- Mounting Bracket –**
- 3/4 Inch units (2 required per unit) SA200AW57
- 1 Inch units (2 required per unit) SA200CW57
- Oil – 1 Gal.**..... F442002
- 12 Quart Case..... F442003
- 4 Gallon Case F442005
- Repair Kits –**
- Needle Valve Assembly (All) RK606Y
- Sight Gauge Bowl Repair Kit (W) RKB605WB
- Sight Gauge Bowl Repair Kit (G) RKB606X30B

Specifications

- Bowl Capacity –**
- Aluminum (E) 32 Ounces
- Aluminum with Polycarbonate Sight Gauge (G) 64 Ounces
- Zinc with Nylon Sight Gauge (W) 16 Ounces
- Port Threads** 3/4, 1 Inch
- Pressure & Temperature Ratings –**
- Aluminum Bowl (E) 0 to 300 psig (0 to 20.4 bar)
40°F to 150°F (4.4°C to 65.6°C)
- Aluminum Bowl with
Polycarbonate Sight Gauge (G) 0 to 150 psig (0 to 10.2 bar)
40°F to 125°F (4.4°C to 52°C)

- Zinc Bowl with
Nylon Sight Gauge (W)..... 0 to 250 psig (0 to 17.2 bar)
40°F to 150°F (4.4°C to 65.6°C)

Weight –

- Aluminum Bowl (E) 5.5 lb. (2.49 kg) / Unit
22.3 lb. (10.12 kg) / 4-Unit Master Pack
- Aluminum Bowl with
Polycarbonate Sight Gauge (G) 7.2 lb. (3.27 kg) / Unit
28.8 lb. (13.06 kg) / 4-Unit Master Pack
- Zinc Bowl with
Nylon Sight Gauge (W)..... 4.2 lb. (1.91 kg) / Unit
16.6 lb. (7.53 kg) / 4-Unit Master Pack

Suggested Lubricant F442 Oil

Petroleum based oil of 100 to 200 SSU viscosity at 100°F (38°C) and an aniline point greater than 200°F (93°C).

(DO NOT USE OILS WITH ADDITIVES, COMPOUNDED OILS CONTAINING SOLVENTS, GRAPHITE, DETERGENTS, OR SYNTHETIC OILS.)

Materials of Construction

- Body** Zinc
- Bowls –**
- (E)..... Aluminum
- (G)..... Aluminum with Polycarbonate Sight Gauge
- (W)..... Zinc with Nylon Sight Gauge
- Seals** Buna N

C
Product Selection
Filters
Coalescers
Regulators
Filter / Regulators
Lubricators
Combos
Accessories

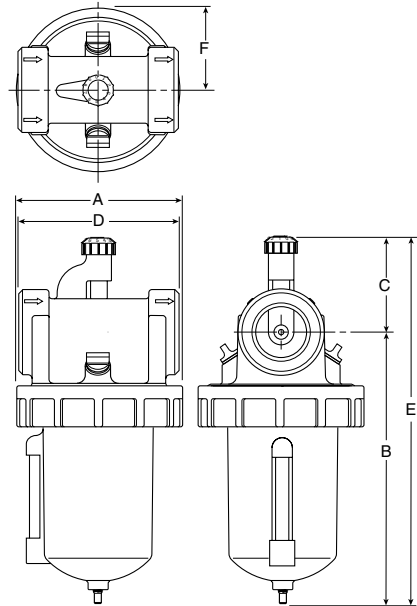


L606 Standard Lubricators



Features

- Metal Bowl with Sight Gauge - Standard
- Polycarbonate Sight Dome
- Bowl can be Filled while Air Line is Under Pressure
- Proportional Oil Delivery Over a Wide Range of Air Flows
- Large Capacity Bowl
- Optional High Capacity Bowl(s) Available
- Precision Needle Valve Assures Repeatable Oil Delivery and Provides Simple Adjustment of Delivery Rate
- High Flow: 1-1/4" - 325 SCFM[§]
 1-1/2" - 400 SCFM[§]



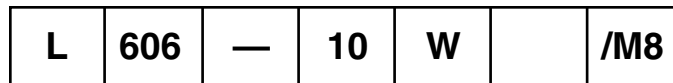
Port Size	NPT	BSPP
Zinc Bowl / Sight Gauge / Drain		
1-1/4"	L606-10W/M8	L606G10W/M8
1-1/2"	L606-12W/M8	L606G12W/M8
Aluminum Bowl 32 oz. without Sight Gauge, With Drain		
1-1/4"	L606-10E/M8	L606G10E/M8
1-1/2"	L606-12E/M8	L606G12E/M8
Aluminum Bowl 64 oz. with Sight Gauge, No Drain		
1-1/4"	L606-10G/M8	L606G10G/M8
1-1/2"	L606-12G/M8	L606G12G/M8

L606 Lubricator Dimensions					
A	B	C	D	E	F
L606-10W, L606-12W					
4.97 (126)	7.63 (194)	2.84 (72.2)	4.81 (122)	10.47 (266)	2.48 (63.1)
L606-10E, L606-12E					
4.97 (126)	11.13 (283)	2.84 (72.2)	4.81 (122)	13.97 (255)	2.48 (63.1)
L606-10G, L606-12G					
5.00 (127)	7.99 (203)	2.84 (72.2)	4.81 (122)	12.80 (325)	2.50 (64)

inches
(mm)

Bold Items are Most Popular.
For other models refer to ordering information below.
[§] SCFM = Standard cubic feet per minute at 100 psig inlet, and 5 psig pressure drop.

Ordering Information



Port Threads
- NPT
G BSPP

Port Size
10 1-1/4 Inch
12 1-1/2 Inch

Bowl			
Bowl Capacity	Description	Size	
E 32 oz.	Large Capacity without Sight Gauge with Drain	1-1/4" & 1-1/2"	
G 64 oz.	Large Capacity with Sight Gauge	1-1/4" & 1-1/2"	
W 16 oz.	Metal with Sight Gauge & Drain	1-1/4" & 1-1/2"	

Options	
Blank	None
H	Button Head Fill Fitting
X9*	Manual Twist Drain (Increases Product Length by 9/16 Inch)

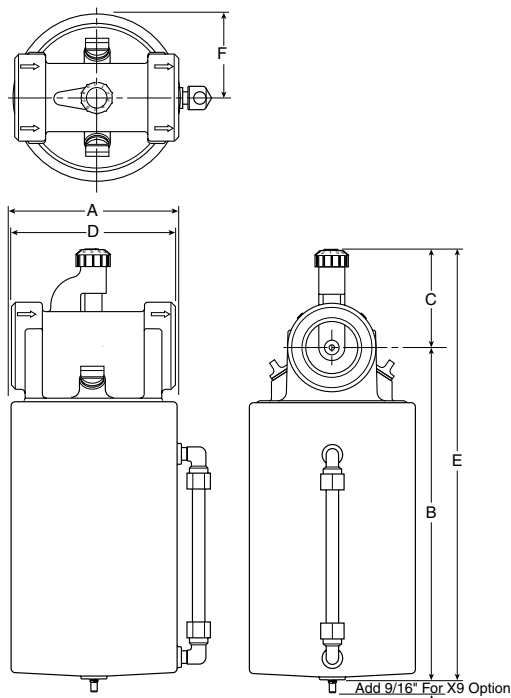
Engineering Level
/M8 Current

* Standard with "E" & "W" Bowl. Optional with "G" Bowl.

BOLD ITEMS ARE MOST POPULAR.



Technical Information



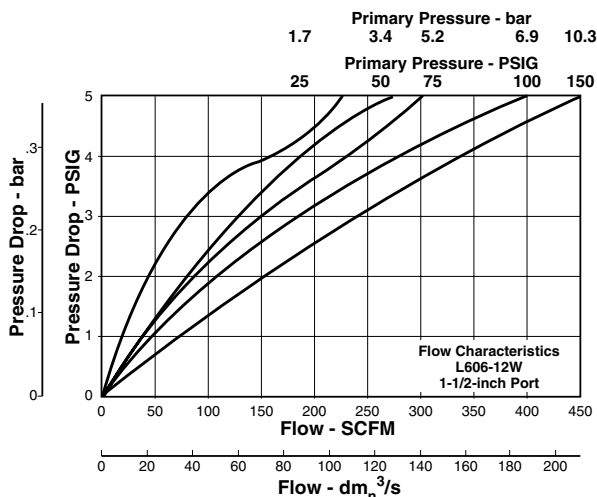
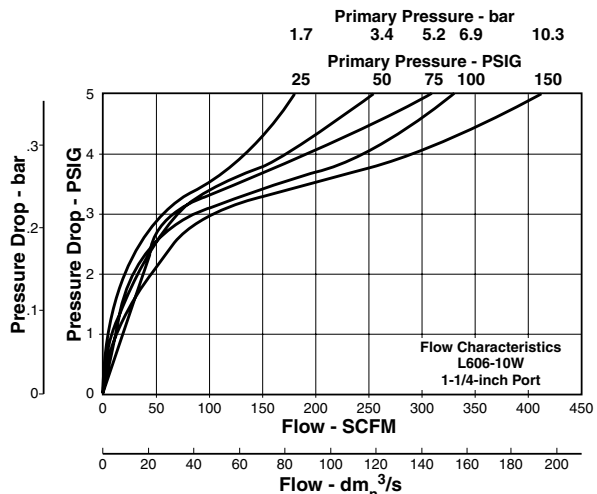
L606-12G

L606 Lubricator Kits & Accessories

Adjusting Knob	606Y72
Bowl Kits –	
Aluminum (E)	BK603B
Aluminum with Sight Gauge (G)	BK606X30B
Zinc with Sight Gauge (W)	BK609WB
Button Head Fill Fitting (M14 male thread)	L606C14
Dip Tube Kit	DTK606
Drip Spout Kit	RK606SY
Oil – 1 Gal.	F442002
12 Quart Case	F442003
4 Gallon Case	F442005
Repair Kits –	
Needle Valve Assembly (All)	RK606Y
Sight Gauge Bowl Repair Kit (W)	RKB605WB
Sight Gauge Bowl Repair Kit (G)	RKB606X30B

Specifications

Bowl Capacity –	
Aluminum (E)	32 Ounces
Aluminum with Polycarbonate Sight Gauge (G)	64 Ounces
Zinc with Nylon Sight Gauge (W)	16 Ounces
Port Threads	1-1/4, 1-1/2 Inch
Pressure & Temperature Ratings –	
Aluminum Bowl (E)	0 to 300 psig (0 to 20.4 bar) 40°F to 150°F (4.4°C to 65.6°C)
Aluminum Bowl with Polycarbonate Sight Gauge (G)	0 to 150 psig (0 to 10.2 bar) 40°F to 125°F (4.4°C to 52°C)
Zinc Bowl with Nylon Sight Gauge (W)	0 to 250 psig (0 to 17.2 bar) 40°F to 150°F (4.4°C to 65.6°C)



Weight –

Aluminum Bowl (E)	8.3 lb. (3.76 kg) / Unit
	33.2 lb. (15.06 kg) / 4-Unit Master Pack
Aluminum Bowl with Polycarbonate Sight Gauge (G)	10 lb. (4.54 kg) / Unit
	40 lb. (18.14 kg) / 4-Unit Master Pack
Zinc Bowl with Nylon Sight Gauge (W)	7.5 lb. (3.40 kg) / Unit
	28.2 lb. (12.79 kg) / 4-Unit Master Pack

Suggested Lubricant

F442 Oil
 Petroleum based oil of 100 to 200 SSU viscosity at 100°F (38°C) and an aniline point greater than 200°F (93°C).

(DO NOT USE OILS WITH ADDITIVES, COMPOUNDED OILS CONTAINING SOLVENTS, GRAPHITE, DETERGENTS, OR SYNTHETIC OILS.)

Materials of Construction

Body	Zinc
Bowls –	
(E)	Aluminum
(G)	Aluminum with Polycarbonate Sight Gauge
(W)	Zinc with Nylon Sight Gauge
Seals	Buna N

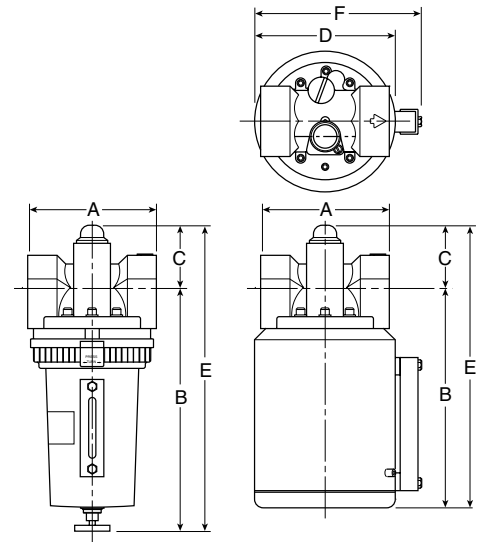
C
Product Selector
Filters
Coalescers
Regulators
Filter / Regulators
Lubricators
Combos
Accessories

09L Mist Lubricators – Hi-Flow



Features

- Metal bowl with sight gauge and manual drain – standard.
- Transparent sight dome for 360° visibility.
- Bowl can be filled while air line is under pressure.
- Proportional oil delivery over a wide range of air flows.
- High Flow: 1000 – SCFM §



Port Size	NPT
Metal Bowl / Sight Gauge – 1 Quart	
2"	09L84BA
Metal Bowl / Sight Gauge – 3 Quart	
2"	09L8PBA

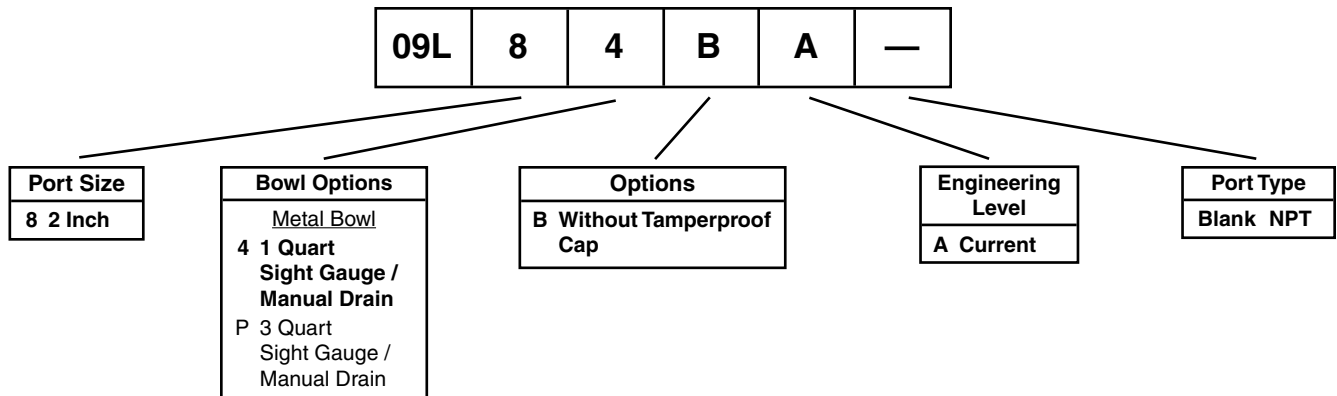
09L Lubricator Dimensions						
	A	B	C	D	E	F
1 Qt.	5.50 (140)	10.40 (264)	2.64 (67)	—	13.04 (331)	—
	A	B	C	D	E	F
3 Qt.	5.50 (140)	9.44 (240)	2.64 (67)	6.00 (152)	12.08 (307)	7.12 (181)

Standard part numbers shown bold. For other models refer to ordering information below.

§ SCFM = Standard Cubic Feet Per Minute at 900 psig Inlet, and 5 psig Pressure Drop.

Inches (mm)

Ordering Information

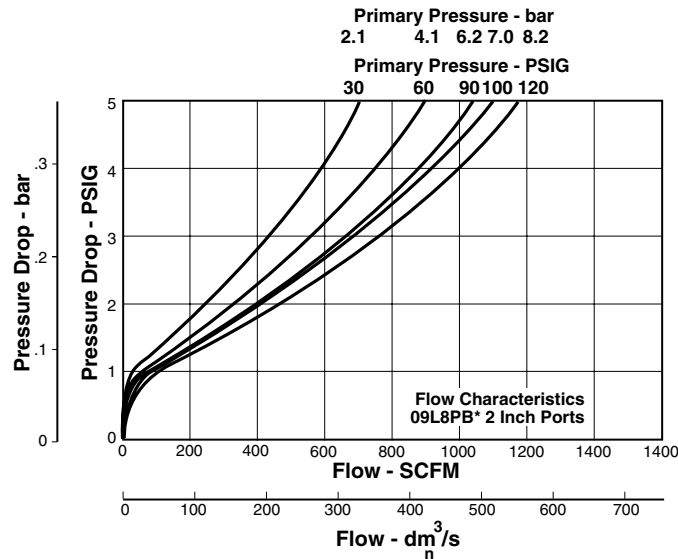


BOLD ITEMS ARE MOST POPULAR.



Product Selection
 Filters
 Coalescers
 Regulators
 Filter / Regulators
 Lubricators
 Combs
 Accessories

Technical Information



09L Lubricator Kits & Accessories

Fill Cap Kit	PS610P
Lubricator Service Kit	PS607P
Metal Bowl – Sight Gauge / Twist Drain	PS612P*
Oil – 1 Gal.	F442002
12 Quart Case.....	F442003
4 Gallon Case	F442005
Sight Dome Kit	PS613P

* 1 Quart Bowl

Specifications

Bowl Capacity	1 Qt. (Standard) 3 Qt. (Optional)
Bowl	Metal with Sight Gauge
Drain	Manual Twist Drain
Port Threads	2 Inch
Pressure & Temperature Rating	0 to 150 psig (0 to 10.3 bar) 32°F to 150°F (0°C to 66°C)

Suggested Lubricant F442 Oil
 Petroleum based oil of 100 to 200 SSU viscosity at 100°F (38°C) and an aniline point greater than 200°F (93°C).
 (DO NOT USE OILS WITH ADDITIVES, COMPOUNDED OILS CONTAINING SOLVENTS, GRAPHITE, DETERGENTS, OR SYNTHETIC OILS.)

Weight – 1 Qt.	10.2 lb. (4.6 kg)
3 Qt.....	13.7 lb. (6.2 kg)

Materials of Construction

Body Zinc Alloy, Die Cast

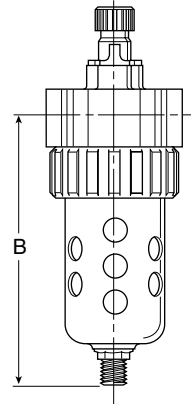
C
Product Selection
Filters
Coalescers
Regulators
Filter / Regulators
Lubricators
Combos
Accessories

Remote Auto-Fill Device



Features

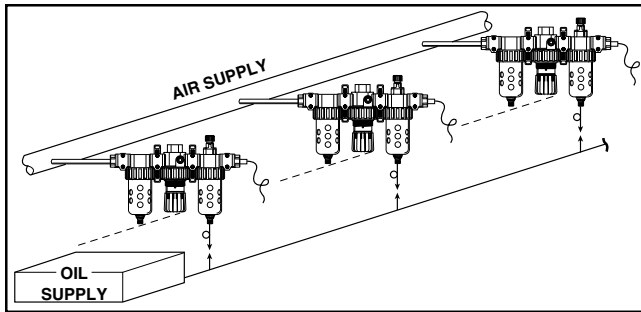
- Wide operating range (oil supply to inlet may be 30 to 270 psig; air operating pressure depends on bowl used).
- Rugged polyurethane float design.
- Complete field conversion kit.
- Adaptable on polycarbonate and metal bowls already in service.
- Oil supply strainer standard.
- Fits 06L / 16L and 07L / 17L Series.



Dimensions

Model	Kit Number	B
06L-16L	PS505CP	5.36 (136)
07L-17L	PS505CP	6.71 (170)

Inches (mm)

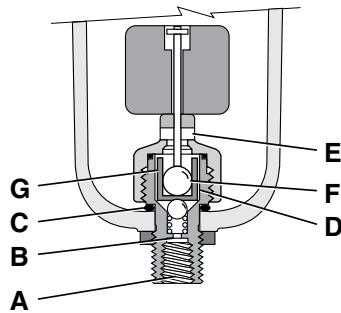


Operation

Oil enters the unit at the pipe thread fitting **(A)** with a supply pressure that is a minimum of 20 psig above the lubricator air pressure. With the float lowered, oil flows through metering orifice **(B)** and lifts the check ball **(C)**. Oil continues to flow past the shuttle chamber annulus **(D)** and out the cross drilled hole **(E)**. As the oil level rises, it cause the float to rise to its maximum level in the bowl. During this period the shut-off ball **(F)** remains in chamber **(G)**, out of the flow stream. Near the end of the filling period, shut-off ball **(F)** will enter the flow stream and snap shut against the seat in chamber **(G)**.

The stem assembly will thus block any additional oil passage as long as the oil supply pressure is maintained at **(A)**. When the supply pressure at **(A)** is released, ball **(C)** is held up against the shuttle **(D)** by a spring causing a slight delay in reverse flow shut-off. This permits the higher still present supply pressure in chamber **(G)** to dissipate and bowl pressure to take over. The shuttle then moves down forcing ball **(C)** to close orifice **(B)**. The orifice will remain closed as long as there is air pressure in the bowl.

This delay of reverse flow in chamber **(G)** is necessary to allow shut-off ball **(F)** to fall when the oil level decreases and permit oil to enter the bowl for the next refill. Thus, for the unit to operate properly, it is necessary that the oil supply pressure go to zero after each fill.



Specifications

- Bowl Capacity** 4.9 Ounces
- Minimum Flow for Lubrication** 1 SCFM At 100 psig
- Port Threads** 3/8, 1/2, 3/4 Inch
- Pressure & Temperature Rating –**
 - Polycarbonate Bowl – 0 to 150 psig (0 to 10.3 bar)
32°F to 125°F (0°C to 52°C)
 - Metal Bowl / Sight Gauge – 0 to 250 psig (0 to 17.2 bar)
32°F to 175°F (0°C to 80°C)

Oil inlet pressure must be at least 20 psig above system air pressure and may be up to 300 psig.

Suggested Lubricant F442 Oil
 Petroleum based oil of 100 to 200 SSU viscosity at 100°F (38°C) and an aniline point greater than 200°F (93°C).

(DO NOT USE OILS WITH ADDITIVES, COMPOUNDED OILS CONTAINING SOLVENTS, GRAPHITE, DETERGENTS, OR SYNTHETIC OILS.)

Flexible tubing is recommended for oil supply line connection to remote fill inlet. Rigid piping should be avoided to prevent possible damage due to stresses on the lubricator bowl assembly.

Oil supply line should be pressurized for 2 to 15 minutes one or more times per day. Pressurization frequently should be based on maintaining oil in lubricator at its highest level.

Weight 1.9 lb. (0.9 kg)

Materials of Construction

- Body, Cap & Stem** Aluminum
- Float** Polyurethane
- Mounting Nut** Delrin
- Seals** Nitrile
- Spring** Stainless



Product Selection

Filters

Coalescers

Regulators

Filter / Regulators

Lubricators

Combs

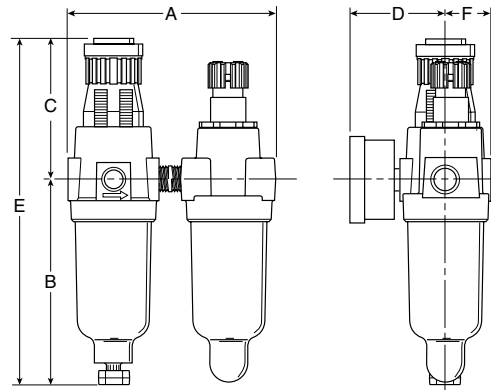
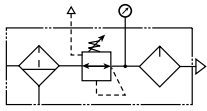
Accessories


Product Selection
Filters
Coalescers
Regulators
Filter / Regulators
Lubricators
Combos
Accessories

Close Nippled Combinations – 14 Miniature Series

- See individual component pages for details.

Two-Unit Combo



Series	Port	Model Numbers
14G	1/8"	14G01B13F0GD
	1/4"	14G11B13F0GD

A	B	C	D	E	F
3.75 (95)	3.79 (96)	2.42 (61)	2.04 (52)	6.21 (158)	0.79 (20)

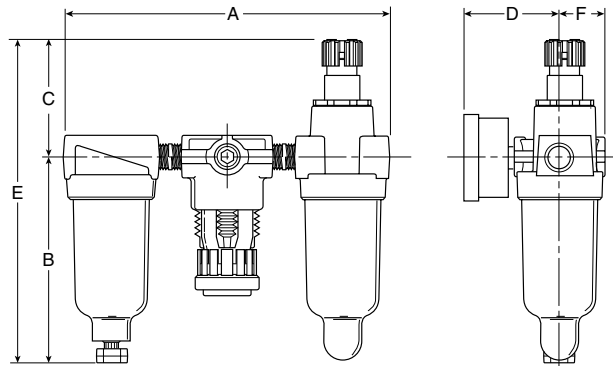
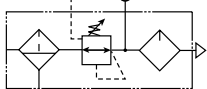
Inches (mm)

Note: All dimensions nominal.

For other models, refer to ordering information on next page.

- Regulator can be mounted with knob in up or down position.

Three-Unit Combo



Series	Port	Model Numbers
14A	1/8"	14A01B13F0GF
	1/4"	14A11B13F0GF

A	B	C	D	E	F
5.77 (147)	3.82 (97)	2.16 (55)	2.04 (52)	5.98 (152)	0.79 (20)

Inches (mm)

Note: All dimensions nominal.

For other models, refer to ordering information on next page.



Product Selection

Filters

Coalescers

Regulators

Filter / Regulators

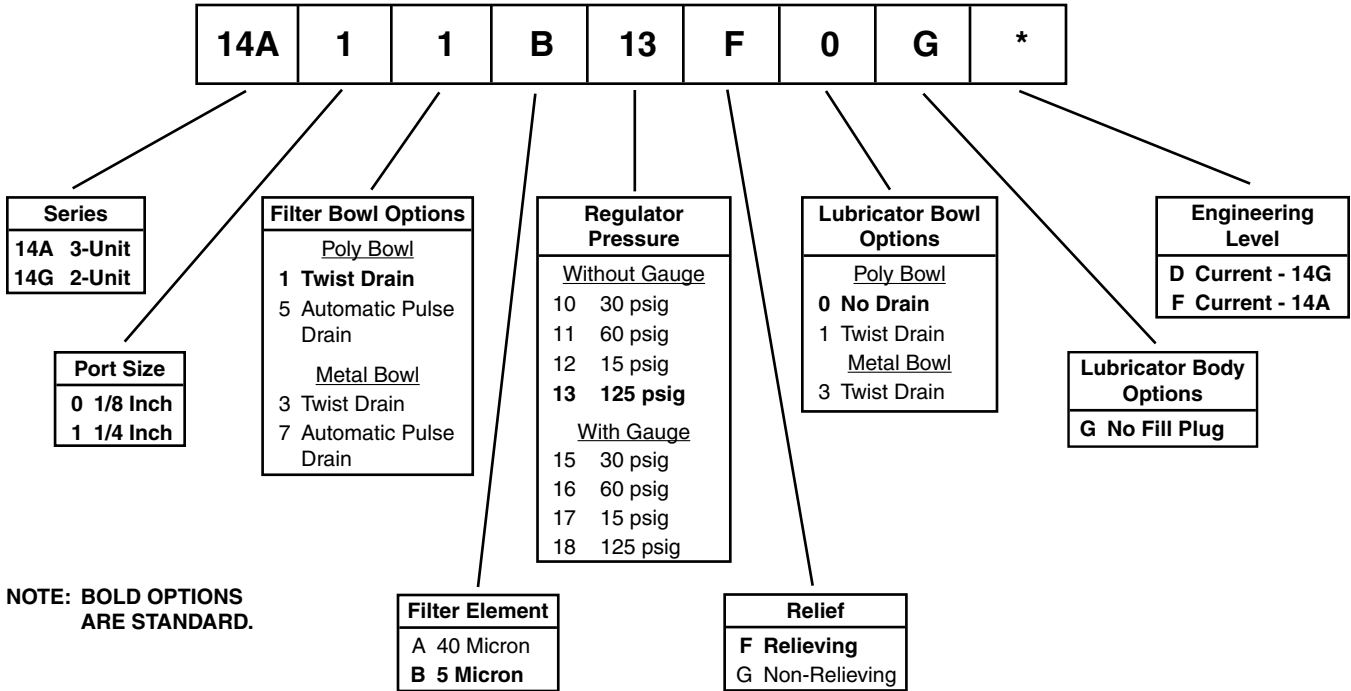
Lubricators

Combos

Accessories

Close Nippled Combinations – 14 Miniature Series

Ordering Information



CAUTION:

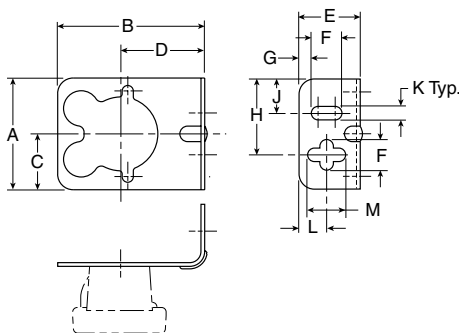
REGULATOR PRESSURE ADJUSTMENT – The working range of knob adjustment is designed to permit outlet pressures within their full range. Pressure adjustment beyond this range is also possible because the knob is not a limiting device. This is a common characteristic of most industrial regulators, and limiting devices may be obtained only by special design.

For best performance, regulated pressure should always be set by increasing the pressure up to the desired setting.

⚠ WARNING

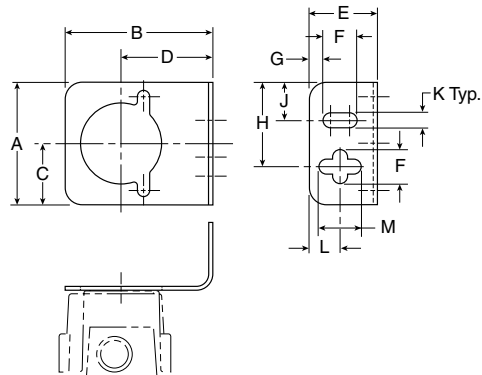
**Product rupture can cause serious injury.
 Do not connect regulator to bottled gas.
 Do not exceed maximum primary pressure rating.**

For polycarbonate bowl and sight dome, see Caution on page C2.



PS417BP

(Includes Panel Mount Nut)



PS419

Dimensions

A	B	C	D	E	F	G	H	J	K	L	M	Kit
1.80 (46)	2.37 (60)	0.90 (23)	1.35 (34)	1.00 (25)	0.50 (13)	0.20 (5)	1.24 (31)	0.56 (14)	0.22 (6)	0.45 (11)	0.62 (16)	PS417BP (10F, 14F, P3A, 14R, 14E)
1.80 (46)	2.17 (55)	0.90 (23)	1.35 (34)	1.00 (25)	0.50 (13)	0.20 (5)	1.24 (31)	0.56 (14)	0.22 (6)	0.45 (11)	0.62 (16)	PS419 (04L)

Inches (mm)



C

Product Selection

Filters

Coalescers

Regulators

Filter / Regulators

Lubricators

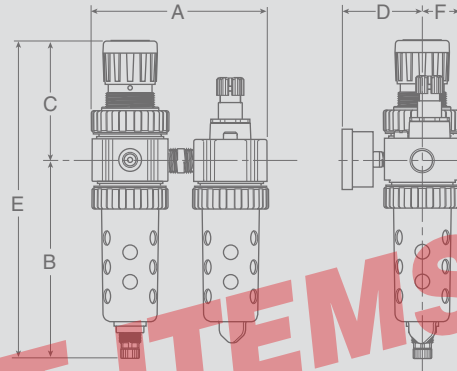
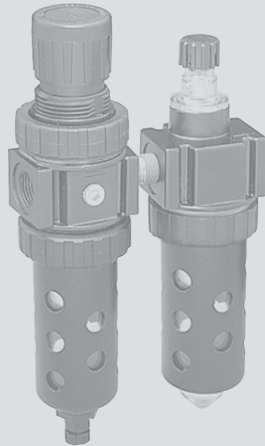
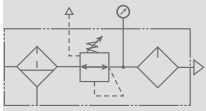
Combos

Accessories

Close Nippled Combinations – 05 Economy Series

- Regulator can be mounted with knob in up or down position.
- See individual component pages for details.

Two-Unit Combo



Series	Port	Model Numbers
15G	1/4"	15G12A13A2N*
	3/8"	15G22A13A2N*

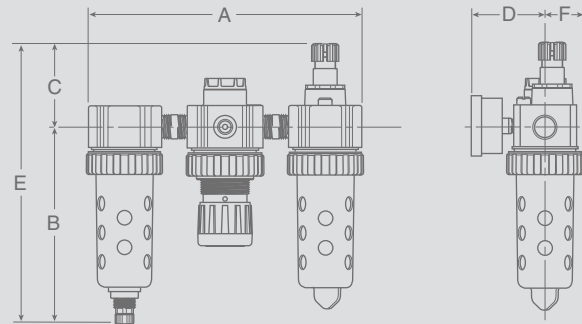
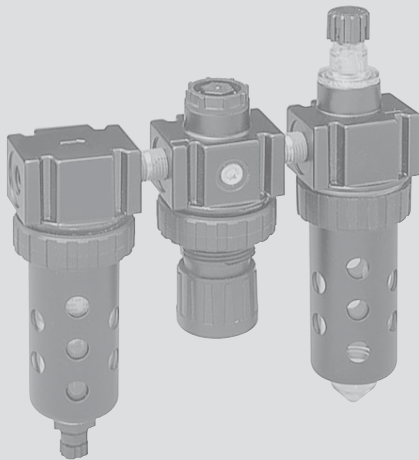
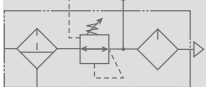
A	B	C	D	E	F
4.49 (114)	5.35 (136)	3.16 (80)	2.05 (52)	8.50 (216)	1.03 (26)

For other models, refer to ordering information on next page.

Inches (mm)
 Note: All dimensions nominal.

GRAYED OUT ITEMS
 ARE OBSOLETE

Three-Unit Combo



Series	Port	Model Numbers
15A	1/4"	15A12A13A2N*
	3/8"	15A22A13A2N*

A	B	C	D	E	F
7.00 (178)	5.35 (136)	2.24 (57)	2.05 (52)	7.59 (193)	1.03 (26)

For other models, refer to ordering information on next page.

Inches (mm)
 Note: All dimensions nominal.



Product Selection

Filters

Coalescers

Regulators

Filter / Regulators

Lubricators

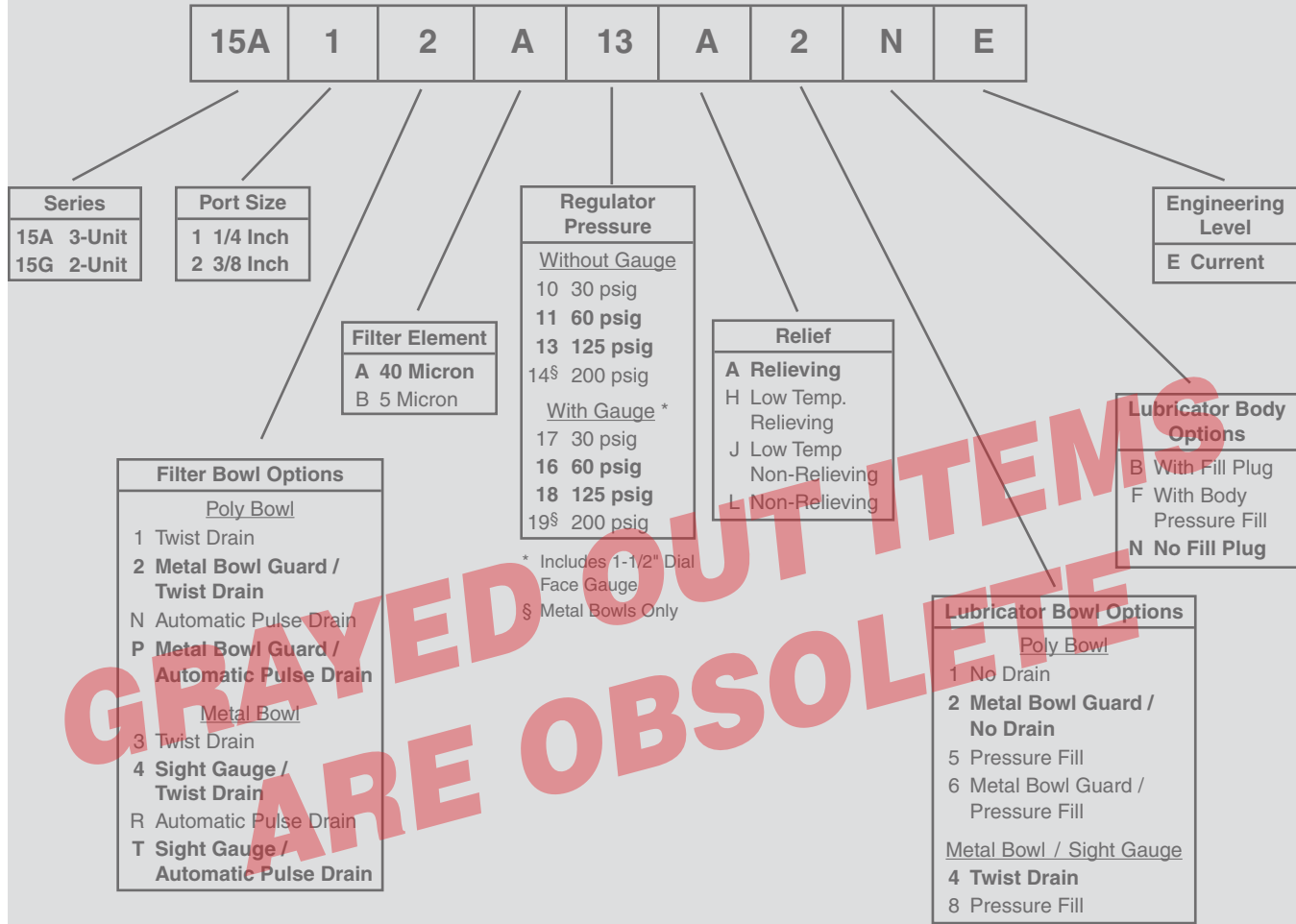
Combos

Accessories

C
Product Selection
Filters
Coalescers
Regulators
Filter / Regulators
Lubricators
Combos
Accessories

Close Nippled Combinations – 05 Economy Series

Ordering Information



BOLD ITEMS ARE MOST POPULAR.

CAUTION:

REGULATOR PRESSURE ADJUSTMENT – The working range of knob adjustment is designed to permit outlet pressures within their full range. Pressure adjustment beyond this range is also possible because the knob is not a limiting device. This is a common characteristic of most industrial regulators, and limiting devices may be obtained only by special design.

For best performance, regulated pressure should always be set by increasing the pressure up to the desired setting.

⚠ WARNING

**Product rupture can cause serious injury.
 Do not connect regulator to bottled gas.
 Do not exceed maximum primary pressure rating.**

For polycarbonate bowl and sight dome, see Caution on page C2.

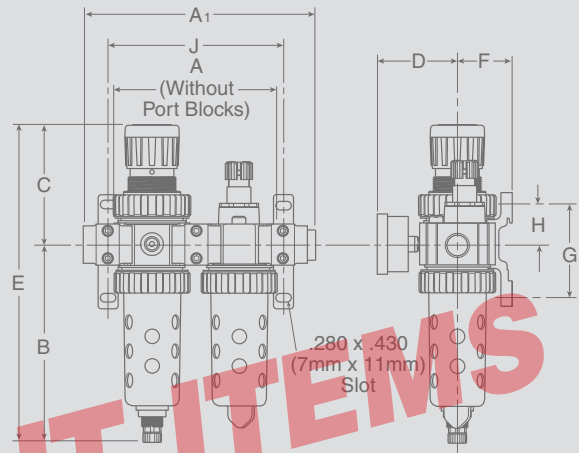
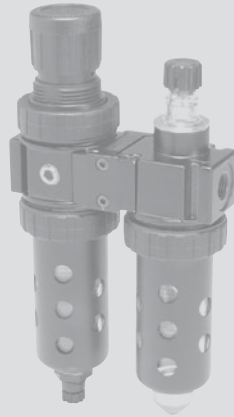
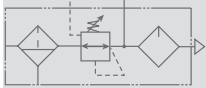
Kits & Accessories (See individual component sections for other kits and accessories.)

Mounting Bracket KitPS963P
 (Includes Panel Mount Nut)

Modular Combinations – 05 Economy Series

- Regulator can be mounted with knob in up or down position.
- See individual component pages for details.
- Gauges, Port Blocks, Manifold Blocks and Ball Valve must be ordered separately.

Two-Unit Combo



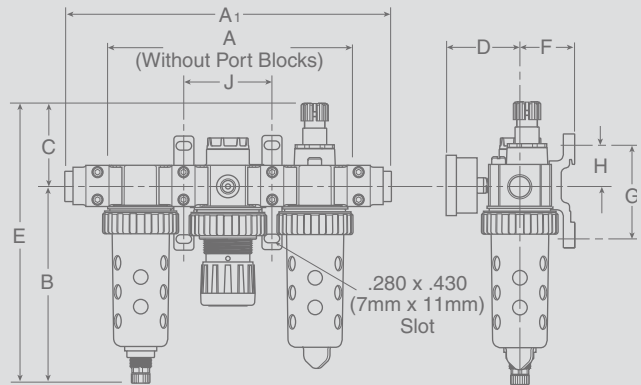
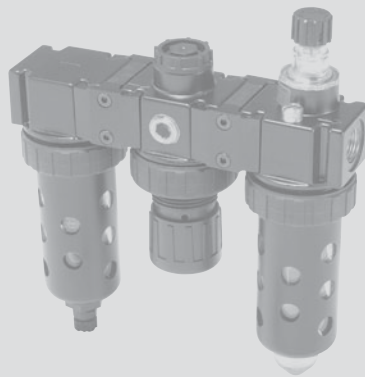
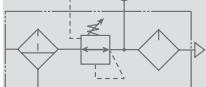
Series	Port	Model Numbers
15H	1/4"	15H12A13A2N*
	3/8"	15H22A13A2N*

A	A ₁	B	C	D	E	F
4.33 (110)	6.38 (162)	5.35 (136)	3.15 (80)	2.05 (52)	8.50 (216)	1.45 (37)
G	H	J				
2.60 (66)	1.14 (29)	4.72 (120)				

For other models, refer to ordering information on next page.

- Inches (mm)
- All dimensions nominal.
 - Mounting brackets not included.

Three-Unit Combo



Series	Port	Model Numbers
15B	1/4"	15B12A13A2N*
	3/8"	15B22A13A2N*

A	A ₁	B	C	D	E	F
6.70 (170)	8.72 (222)	5.35 (136)	2.24 (57)	2.05 (52)	7.59 (193)	1.45 (37)
G	H	J				
2.60 (66)	1.14 (29)	2.35 (600)				

For other models, refer to ordering information on next page.

- Inches (mm)
- All dimensions nominal.
 - Mounting brackets not included.



Product Selection

Filters

Coalescers

Regulators

Filter / Regulators

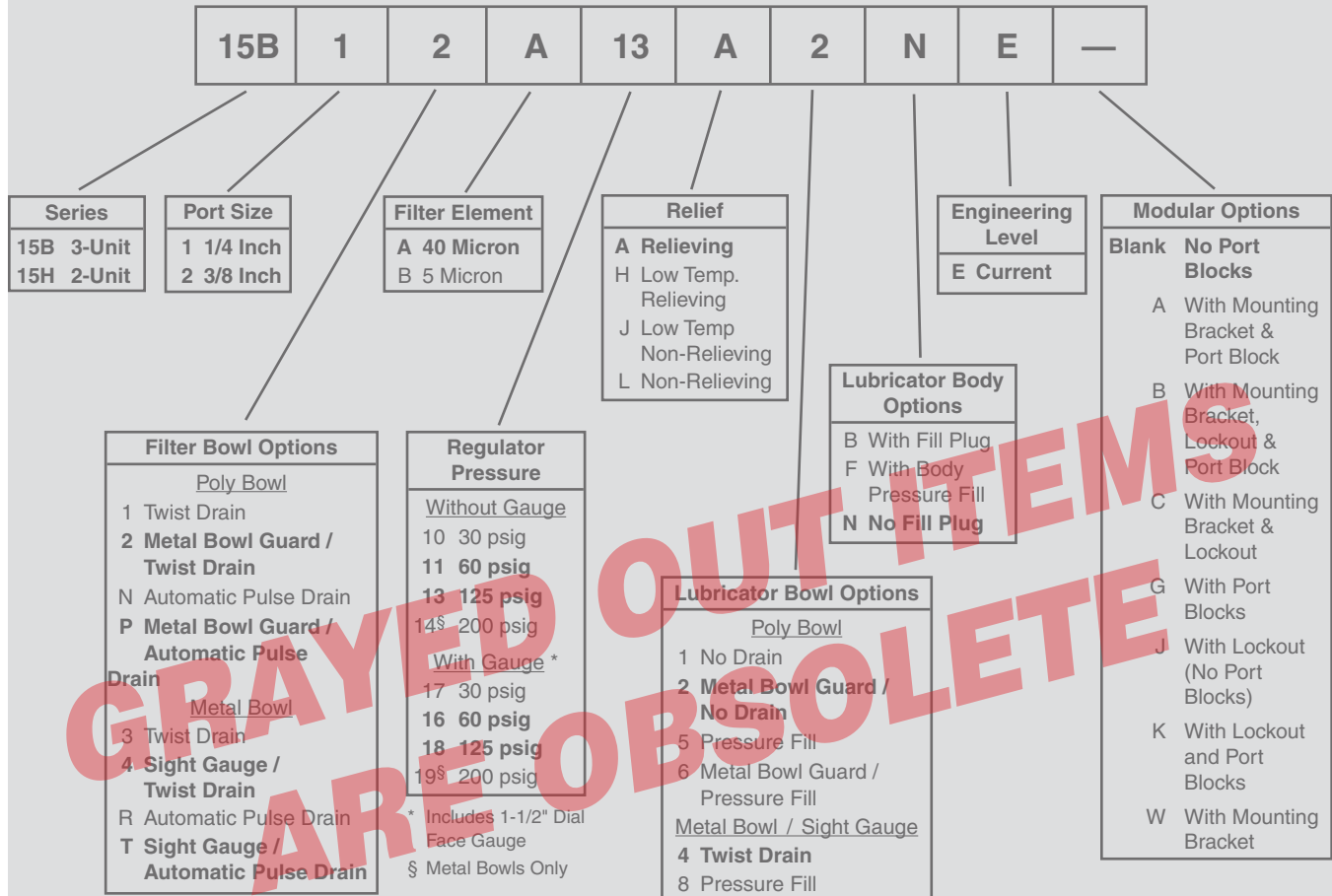
Lubricators

Combos

Accessories

Modular Combinations – 05 Economy Series

Ordering Information



BOLD ITEMS ARE MOST POPULAR.

CAUTION:

REGULATOR PRESSURE ADJUSTMENT – The working range of knob adjustment is designed to permit outlet pressures within their full range. Pressure adjustment beyond this range is also possible because the knob is not a limiting device. This is a common characteristic of most industrial regulators, and limiting devices may be obtained only by special design.

For best performance, regulated pressure should always be set by increasing the pressure up to the desired setting.

⚠ WARNING

**Product rupture can cause serious injury.
 Do not connect regulator to bottled gas.
 Do not exceed maximum primary pressure rating.**

For polycarbonate bowl and sight dome, see Caution on page C2.

Kits & Accessories (See individual component sections for other kits and accessories.)

Body Connector Kit	PS954P
Lockout Valve	PS95601P
Manifold Block	PS95701P
Pressure Switches –	
DIN Connectors	P01909
Flying Leads	P01908
Wall Mounting Kit	PS955P

Port Block Kits:	1/8"	1/4"	3/8"
NPT	PS95000P	PS95001P	PS95002P
BSPP	PS95010P	PS95011P*	PS95012P*
BSPT	PS95020P	PS95021P	PS95022P

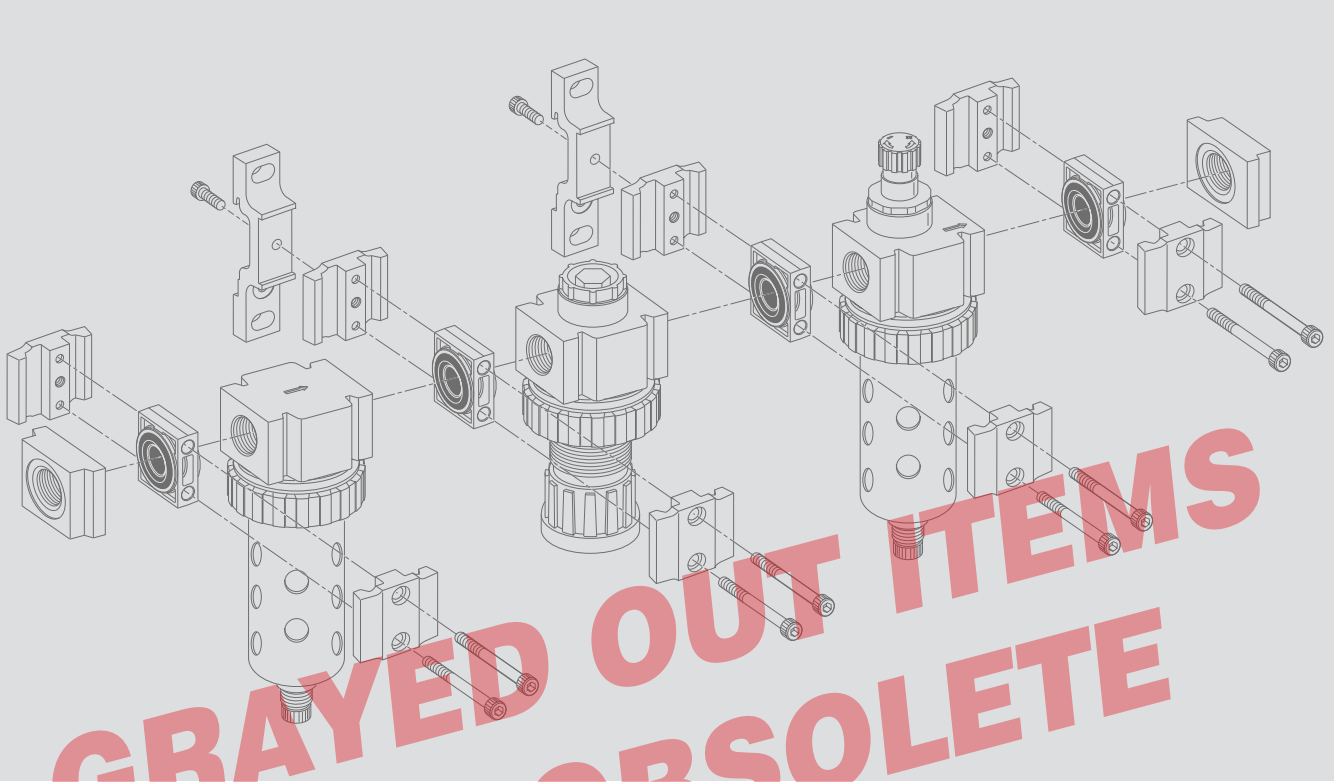
* 1/4 & 3/8 inch meet ISO 1179-1 Standard.



C	Product Selection
Filters	Coalescers
Regulators	Filter / Regulators
Lubricators	Combos
Accessories	

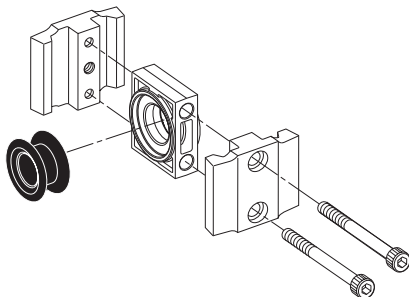
Modular Accessories – 05 Economy Series

	Product Selection
	Filters
	Coalescers
	Regulators
	Filter / Regulators
	Lubricators
	Combos
	Accessories



GRAYED OUT ITEMS ARE OBSOLETE

Body Connectors
PS954P

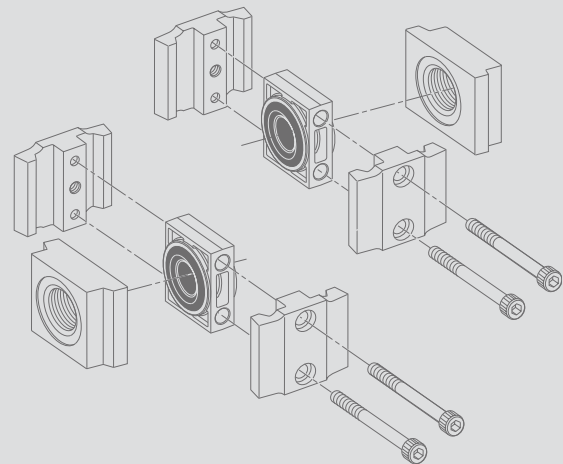


Body Connectors allow you to easily assemble and disassemble Modular Combinations.
 Body Connectors are required whenever you assemble two or more pieces together.
 Each Kit includes one set.

Port Block Connector Kits

	1/8"	1/4"	3/8"
NPT	PS95000P	PS95001P	PS95002P
BSPP	PS95010P	PS95011P*	PS95012P*
BSPT	PS95020P	PS95021P	PS95022P

* 1/4 & 3/8 inch meet ISO 1179-1 Standard.

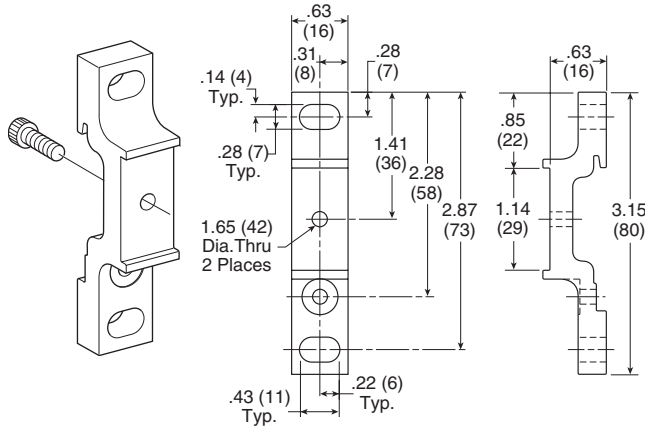


Port Block Connectors allow you to make threaded port connections to Modular units and are available in various port sizes to match your system requirements.
 Each Kit includes all the necessary pieces to make two port connections.

Modular Accessories – 05 Economy Series

Wall Mounting Kits

PS955P



Wall Mounting Kits are available for mounting your Modular Assemblies and can be assembled and used with any standard body connector set.

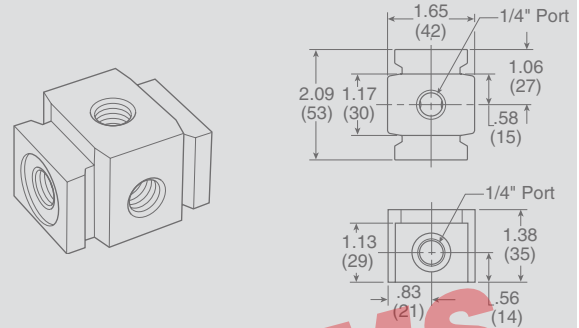
Since Modular Combinations are always identical in size, you can predrill for wall mounting on your equipment.

Kit includes 1 assembly.

Modular Manifold Block

PS95701P

1/4" Port

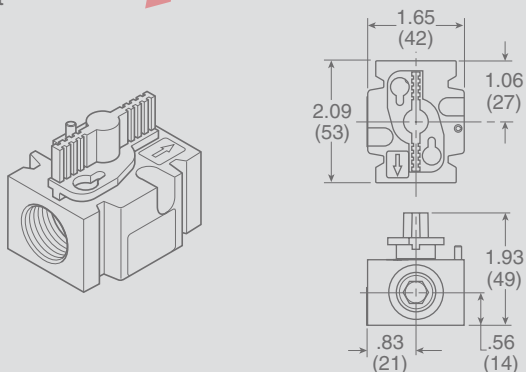


A Modular Manifold Block can be used between any two Modular units to give additional outlet ports. The 1/4" Manifold Block provides three additional outlets. Any standard pipe plug can be used to close off unused ports.
NOTE: Body Connectors are not supplied with Manifold Blocks.

Lockout Valve

PS95601P

1/4" Port



Lockout Valves provide positive shut-off and exhaust capability to isolate Modular units so they can be easily removed from the line and can be locked in a closed position. Center position can be used as a slow start for 06 and 07 series. Accepts #3 padlock.

NOTE: Body Connectors are not supplied with Lockout Valves.

C

Product Selection

Filters

Coalescers

Regulators

Filter / Regulators

Lubricators

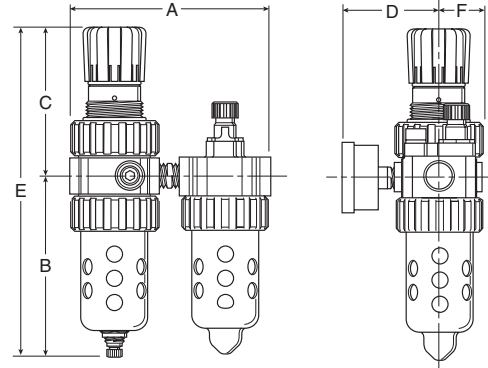
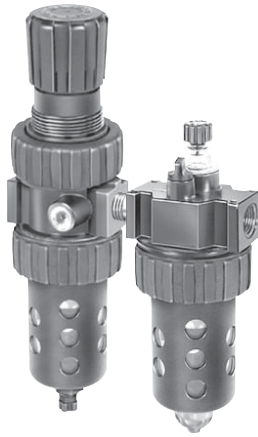
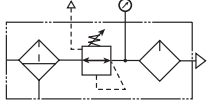
Compos

Accessories

Close Nippled Combinations – 06 Compact & 07 Standard Series

- See individual component pages for details.

Two-Unit Combo



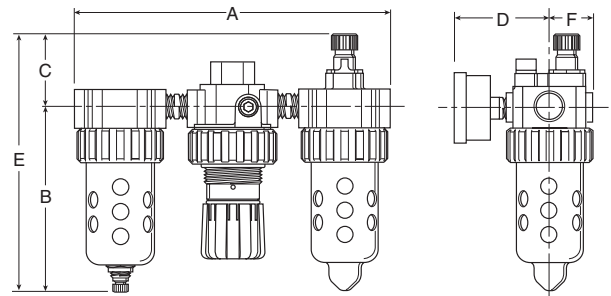
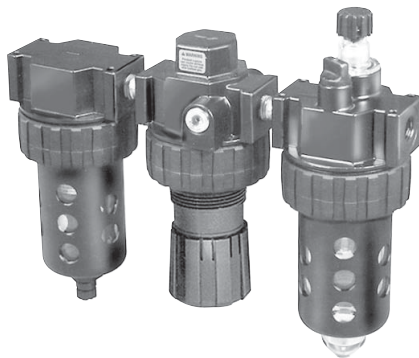
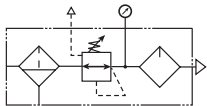
Series	Model Numbers	Port	Model Numbers	Series
06G	06G12A13A2BC	1/4"	16G12A13A2BC	16G
	06G22A13A2BC	3/8"	16G22A13A2BC	
	06G32A13A2BC	1/2"	16G32A13A2BC	
07G	07G32A13A2BD	1/2"	17G32A13A2BD	17G
	07G42A13A2BD	3/4"	17G42A13A2BD	

06G, 16G Series					
A	B	C	D	E	F
6.13 (156)	5.69 (145)	4.69 (119)	3.18 (81)	10.38 (264)	1.37 (35)
07G, 17G Series					
A	B	C	D	E	F
6.99 (178)	6.97 (177)	4.79 (122)	3.44 (87)	11.76 (299)	1.63 (41)

For other models, refer to ordering information on next page.

Inches (mm)
 • All dimensions nominal.

Three-Unit Combo



Series	Model Numbers	Port	Model Numbers	Series
06A	06A12A13A2BC	1/4"	16A12A13A2BC	16A
	06A22A13A2BC	3/8"	16A22A13A2BC	
	06A32A13A2BC	1/2"	16A32A13A2BC	
07A	07A32A13A2BD	1/2"	17A32A13A2BD	17A
	07A42A13A2BD	3/4"	17A42A13A2BD	

06A, 16A Series					
A	B	C	D	E	F
9.45 (240)	5.69 (145)	2.24 (57)	3.18 (81)	7.93 (201)	1.37 (35)
07A, 17A Series					
A	B	C	D	E	F
10.74 (2738)	6.97 (177)	2.41 (61)	3.44 (87)	9.38 (238)	1.63 (41)

For other models, refer to ordering information on next page.

Inches (mm)
 • All dimensions nominal.



Product Selection

Filters

Coalescers

Regulators

Filter / Regulators

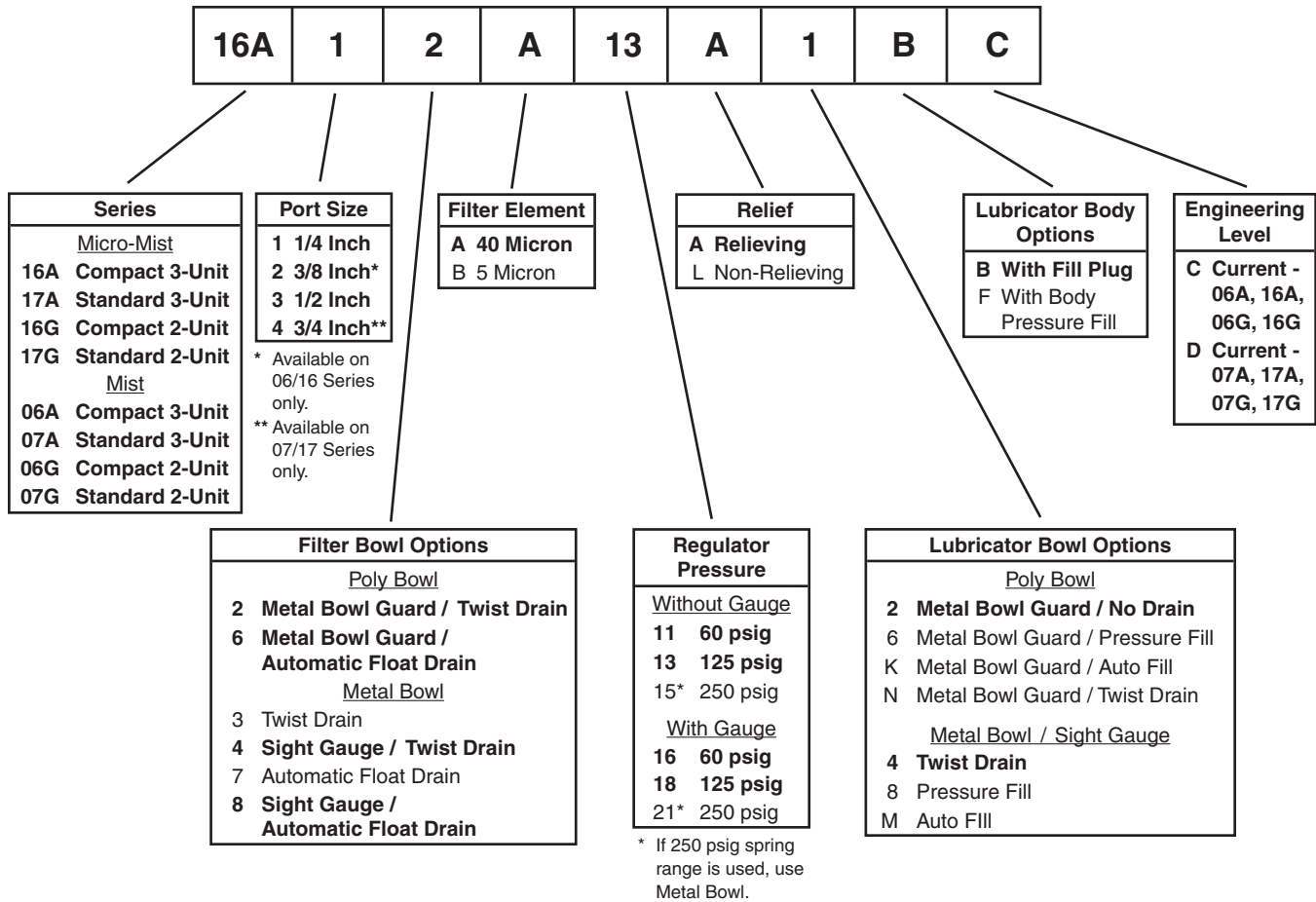
Lubricators

Combos

Accessories

Close Nippled Combinations – 06 Compact & 07 Standard Series

Ordering Information



C
Product Selection
Filters
Coalescers
Regulators
Filter / Regulators
Lubricators
Combos
Accessories

BOLD ITEMS ARE MOST POPULAR.

CAUTION:

REGULATOR PRESSURE ADJUSTMENT – The working range of knob adjustment is designed to permit outlet pressures within their full range. Pressure adjustment beyond this range is also possible because the knob is not a limiting device. This is a common characteristic of most industrial regulators, and limiting devices may be obtained only by special design.

For best performance, regulated pressure should always be set by increasing the pressure up to the desired setting.

⚠ WARNING
Product rupture can cause serious injury. Do not connect regulator to bottled gas. Do not exceed maximum primary pressure rating.

For polycarbonate bowl and sight dome, see Caution on page C2.

Kits & Accessories (See individual component sections for other kits and accessories.)

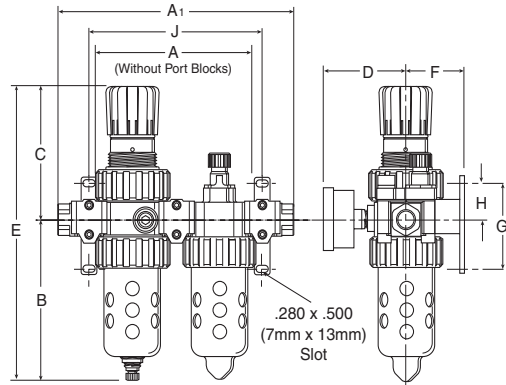
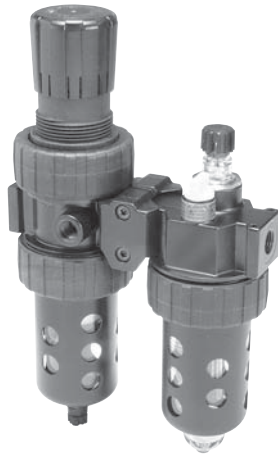
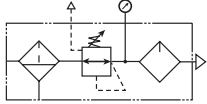
- Mounting Bracket Kit** (Includes Panel Mount Nut)
- 06A, 16A, 06G, 16G**PS707P
 - 07A, 17A, 07G, 17G**PS807P



Modular Combinations – 06 Compact & 07 Standard Series

• See individual component pages for details.

**Two-Unit
 Combo**



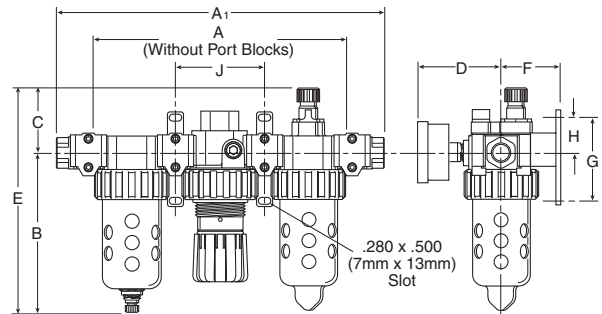
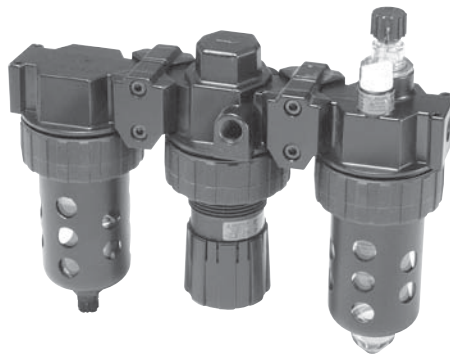
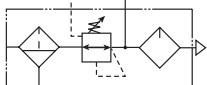
Series	Model Numbers	Port	Model Numbers	Series
06H	06H12A13A2BC	1/4"	16H12A13A2BC	16H
	06H22A13A2BC	3/8"	16H22A13A2BC	
	06H32A13A2BCG	1/2"†	16H32A13A2BCG	
07H	07H32A13A2BD	1/2"	17H32A13A2BD	17H
	07H42A13A2BD	3/4"	17H42A13A2BD	

For other models, refer to ordering information on next page.
 † 06 / 16 Available with Port Blocks Only.

06H, 16H Series					
A 6.10 (155)	A₁ 9.04 (230)	B 5.69 (145)	C 4.69 (119)	D 3.18 (81)	E 10.38 (264)
F 2.00 (51)	G 3.58 (91)	H 1.40 (36)	J 6.65 (169)		
07H, 17H Series					
A 7.00 (178)	A₁ 10.28 (261)	B 6.97 (177)	C 4.79 (122)	D 3.44 (87)	E 11.76 (299)
F 2.09 (53)	G 3.58 (91)	H 1.40 (36)	J 7.51 (191)		

Inches (mm)
 • All dimensions nominal.

**Three-Unit
 Combo**



Series	Model Numbers	Port	Model Numbers	Series
06B	06B12A13A2BC	1/4"	16B12A13A2BC	16B
	06B22A13A2BC	3/8"	16B22A13A2BC	
	06B32A13A2BCG	1/2"†	16B32A13A2BCG	
07B	07B32A13A2BD	1/2"	17B32A13A2BD	17B
	07B42A13A2BD	3/4"	17B42A13A2BD	

For other models, refer to ordering information on next page.
 † 06 / 16 Available with Port Blocks Only.

06B, 16B Series					
A 9.46 (240)	A₁ 12.39 (315)	B 5.69 (145)	C 2.24 (57)	D 3.18 (81)	E 7.93 (202)
F 2.00 (51)	G 3.58 (91)	H 1.40 (36)	J 3.33 (85)		
07B, 17B Series					
A 10.750 (273)	A₁ 14.03 (356)	B 6.97 (177)	C 2.41 (61)	D 3.44 (87)	E 9.38 (238)
F 2.18 (55)	G 3.58 (91)	H 1.40 (36)	J 3.76 (95)		

Inches (mm)
 • All dimensions nominal.



Product
 Selection

Filters

Coalescers

Regulators

Filter /
 Regulators

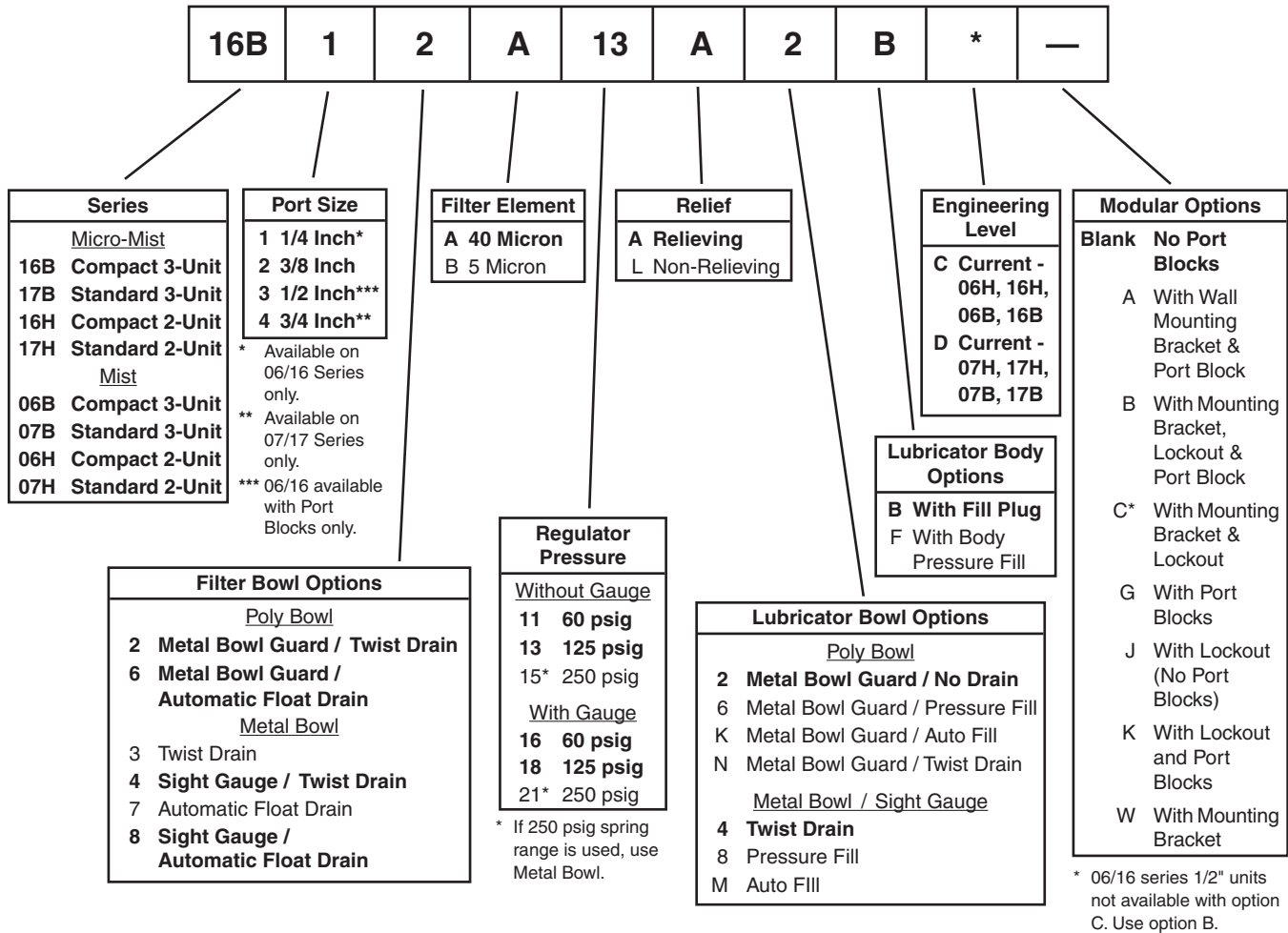
Lubricators

Combos

Accessories

Modular Combinations – 06 Compact & 07 Standard Series

Ordering Information



BOLD ITEMS ARE MOST POPULAR.

CAUTION:

REGULATOR PRESSURE ADJUSTMENT – The working range of knob adjustment is designed to permit outlet pressures within their full range. Pressure adjustment beyond this range is also possible because the knob is not a limiting device. This is a common characteristic of most industrial regulators, and limiting devices may be obtained only by special design.

For best performance, regulated pressure should always be set by increasing the pressure up to the desired setting.

	WARNING
Product rupture can cause serious injury.	
Do not connect regulator to bottled gas.	
Do not exceed maximum primary pressure rating.	

For polycarbonate bowl and sight dome, see Caution on page C2.

Kits & Accessories (See individual component sections for other kits and accessories.)

- Body Connector Kit PS754P
- Lockout Valve PS756P
- Manifold Block PS757P
- Wall Mounting Kit PS755P

Port Block Kits:	Size	NPT	BSPB	BSPT
06 Series	1/4"	PS750P	PS765P [†]	PS761P
	3/8"	PS751P	PS766P [†]	PS762P
	1/2"	PS752P*	PS767P* [†]	PS799P*

* Use 1/4 or 3/8 ported bodies.

[†] 1/4, 3/8 & 1/2 inch meet ISO 1179-1 Standard.

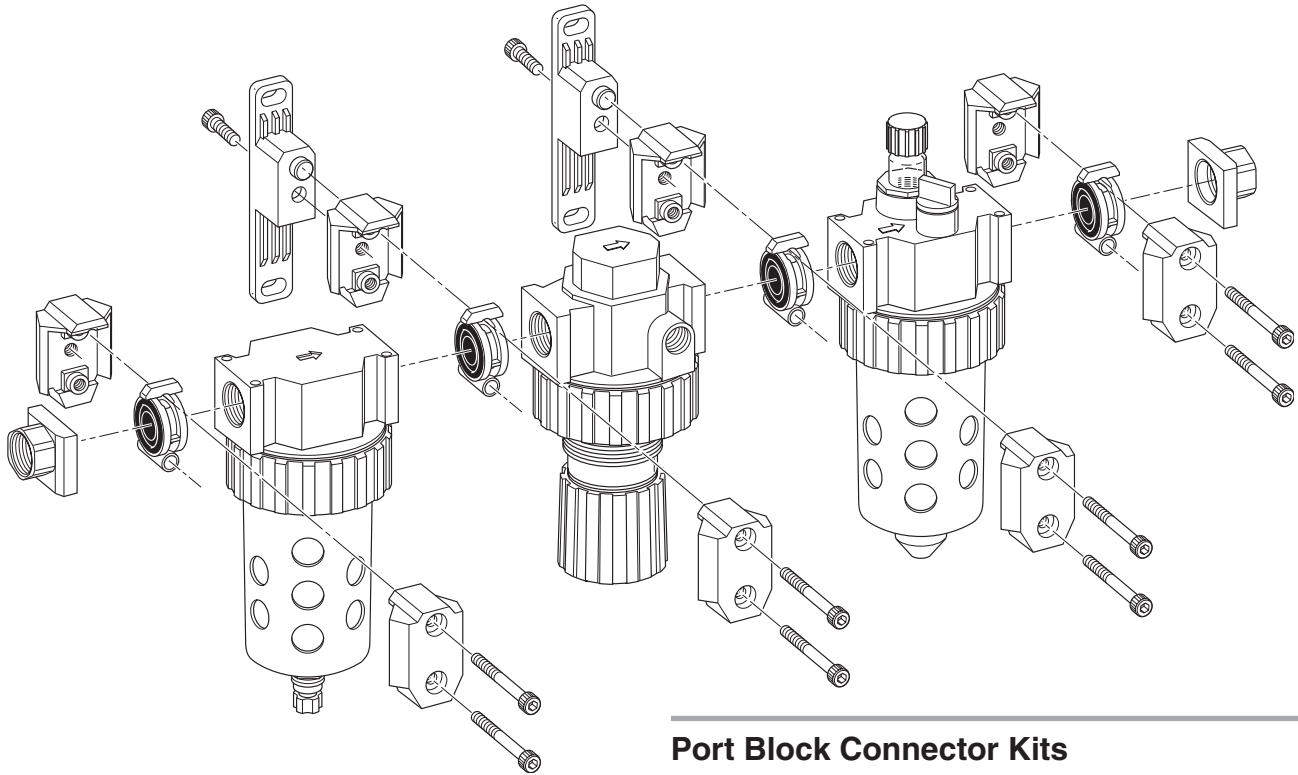
07 Series	1/4"	PS850P	PS865P	PS861P
	3/8"	PS851P	PS866P	PS862P
	1/2"	PS852P	PS867P [†]	PS863P
	3/4"	PS853P	PS860P	PS864P

[†] 1/2 inch meets ISO 1179-1 Standard.



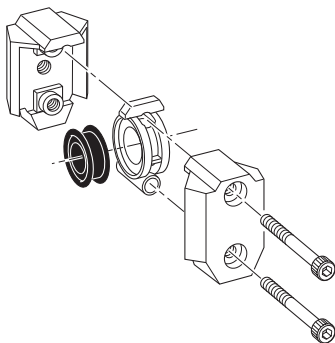
Modular Accessories – 06 Compact & 07 Standard Series

C
Product Selection
Filters
Coalescers
Regulators
Filter / Regulators
Lubricators
Combos
Accessories



Body Connectors

- 06 SeriesPS754P
- 07 SeriesPS854P



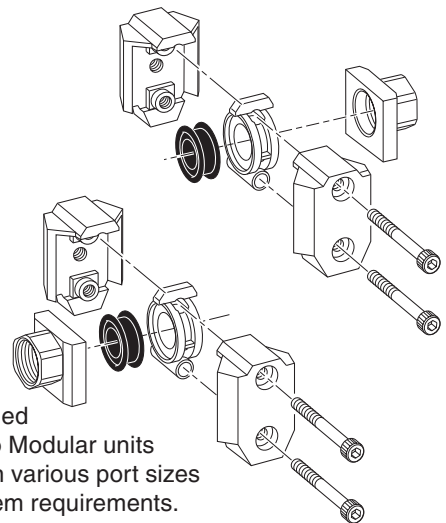
Body Connectors allow you to easily assemble and disassemble Modular Combinations.
 Each Kit includes one set.
 Body Connectors are required whenever you assemble two or more pieces together.

Port Block Connector Kits

Series	Size	NPT	BSPP	BSPT
06 Series	1/4"PS750PPS765P [†]	...PS761P
	3/8"PS751PPS766P [†]	...PS762P
	1/2"PS752P*PS767P* [†]	...PS799P*
07 Series	1/4"PS850PPS865PPS861P
	3/8"PS851PPS866PPS862P
	1/2"PS852PPS867P [†]PS863P
	3/4"PS853PPS860PPS864P

* Use 1/4 or 3/8 ported bodies.
[†] 1/4, 3/8 & 1/2 inch meet ISO 1179-1 Standard.

[†] 1/2 inch meets ISO 1179-1 Standard.

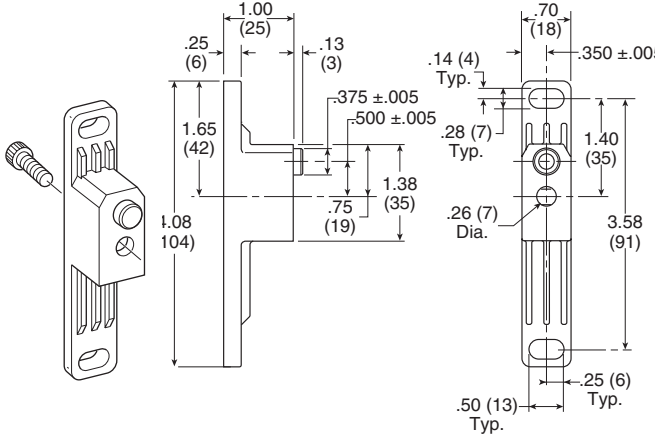


Port Block Connectors allow you to make threaded port connections to Modular units and are available in various port sizes to match your system requirements.
 Each Kit includes all the necessary pieces to make two port connections.

Modular Accessories – 06 Compact & 07 Standard Series

Wall Mounting Kits

06 Series & 07 Series PS755P



Wall Mounting Kits are available for mounting your Modular Assemblies and can be assembled and used with any standard body connector set.

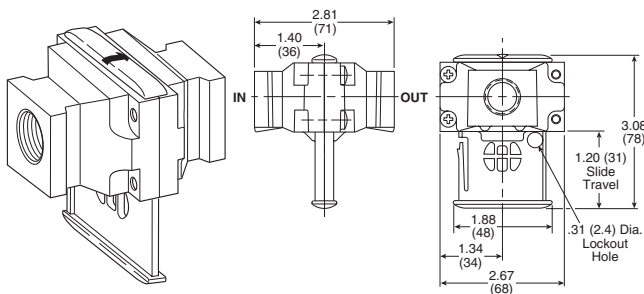
Since Modular Combinations are always identical in size, you can predrill for wall mounting on your equipment.

Kit includes 1 assembly.

Lockout Valves

06 Series PS756P 3/8" Port

07 Series PS856P 1/2" Port



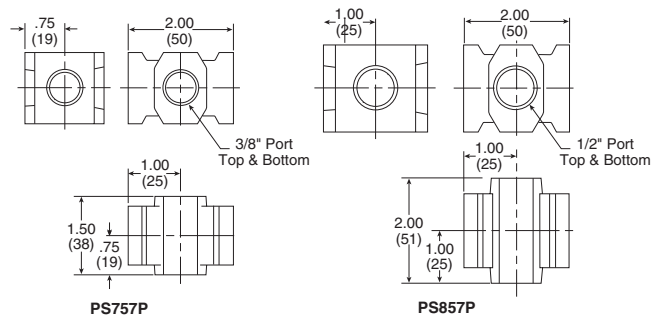
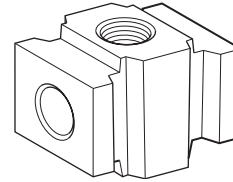
Lockout Valves provide positive shut-off and exhaust capability to isolate Modular units so they can be easily removed from the line and can be locked in a closed position. Center position can be used as a slow start. Accepts #3 padlock.

NOTE: Body Connectors are not supplied with Lockout Valves.

Modular Manifold Block

06 Series PS757P 3/8" Port

07 Series PS857P 1/2" Port



A Modular Manifold Block can be used between any two Modular units to give additional outlet ports. The Manifold Block provides 2 additional outlets in 3/8" and 1/2" sizes. Any standard pipe plug can be used to close off unused ports.

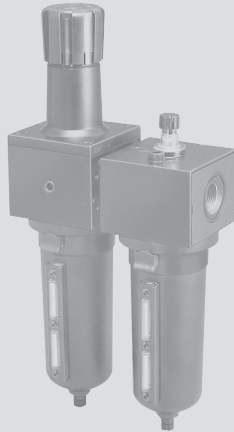
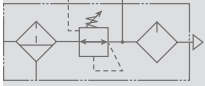
NOTE: Body Connectors are not supplied with Manifold Blocks.

C
Product Selection
Filters
Coalescers
Regulators
Filter / Regulators
Lubricators
Combos
Accessories

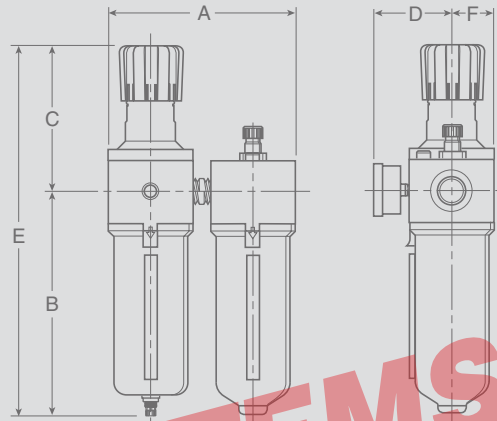
Close Nippled Combinations – P3N Hi-Flow Series

- Regulator can be mounted with knob in up or down position.
- See individual component pages for details.

Two-Unit Combo



- 40 Micron Filter Element
- Manual Twist Drain
- Relieving Regulator
- 125 PSI (8.6 bar)



Series	Port	Model Numbers
P3N3A	3/4"	P3N3A96SGMNNLNA
	1"	P3N3A98SGMNNLNA
	1-1/2"†	P3N3A9PSGMNNLNA

A	B	C	D	E	F
7.76 (197)	9.57 (243)	6.38 (162)	3.56 (90)	15.95 (405)	1.81 (50)

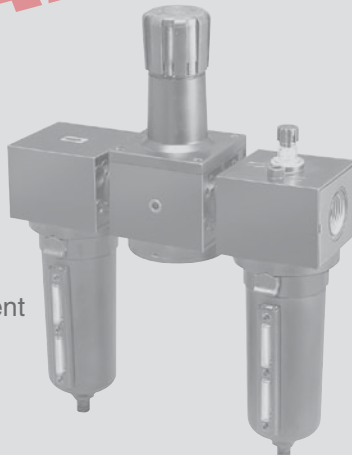
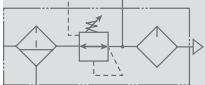
Inches (mm)

- All dimensions nominal.
- **Mounting brackets not included** (change last character in model number to "B" if required).
- **Gauges not included** (change 12th character to "G" if required).

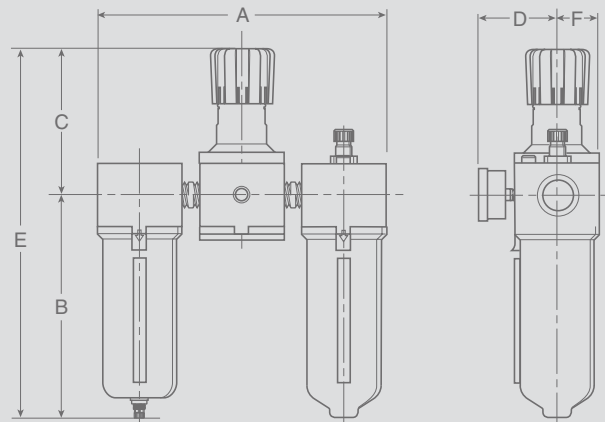
Notes: All Combo part numbers are with regulator knob in up position.
 † 1" Port Body with 1-1/2" Port Block.

For other models, refer to Ordering Information on next page.

Three-Unit Combo



- 40 Micron Filter Element
- Manual Twist Drain
- Relieving Regulator
- 125 PSI (8.6 bar)



Series	Port	Model Numbers
P3N3B	3/4"	P3N3B96SGMNNLNA
	1"	P3N3B98SGMNNLNA
	1-1/2"†	P3N3B9PSGMNNLNA

A	B	C	D	E	F
11.89 (302)	9.57 (243)	6.38 (162)	3.56 (90)	15.95 (405)	1.81 (50)

Inches (mm)

- All dimensions nominal.
- **Mounting brackets not included** (change last character in model number to "B" if required).
- **Gauges not included** (change 12th character to "G" if required).

Notes: All Combo part numbers are with regulator knob in up position.
 † 1" Port Body with 1-1/2" Port Block.

For other models, refer to Ordering Information on next page.



Product Selection

Filters

Coalescers

Regulators

Filter / Regulators

Lubricators

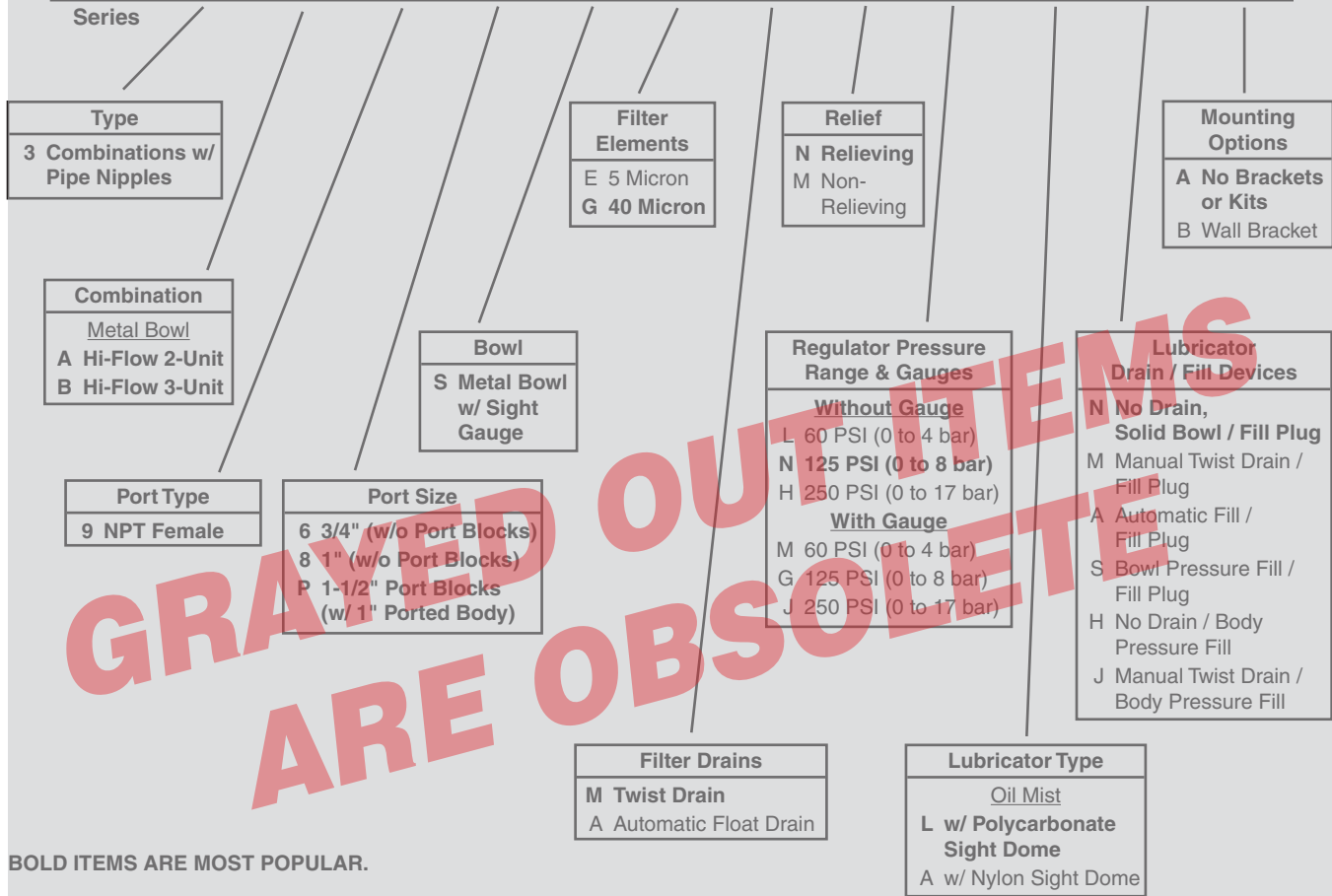
Combos

Accessories

Close Nippled Combinations – P3N Hi-Flow Series

Ordering Information

P3N	3	A	9	6	S	G	M	N	N	L	N	A
------------	----------	----------	----------	----------	----------	----------	----------	----------	----------	----------	----------	----------



BOLD ITEMS ARE MOST POPULAR.

CAUTION:

REGULATOR PRESSURE ADJUSTMENT – The working range of knob adjustment is designed to permit outlet pressures within their full range. Pressure adjustment beyond this range is also possible because the knob is not a limiting device. This is a common characteristic of most industrial regulators, and limiting devices may be obtained only by special design.

For best performance, regulated pressure should always be set by increasing the pressure up to the desired setting.

⚠ WARNING
Product rupture can cause serious injury. Do not connect regulator to bottled gas. Do not exceed maximum primary pressure rating.

Kits & Accessories (See individual component sections for other kits and accessories.)

Wall Mounting Kit*P3NKA00MW

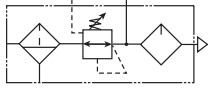
* If 1-1/2 BSPP E02 fittings are required, use P3NKA0BMW.

C
Product Selection
Filters
Coalescers
Regulators
Filter / Regulators
Lubricators
Combos
Accessories

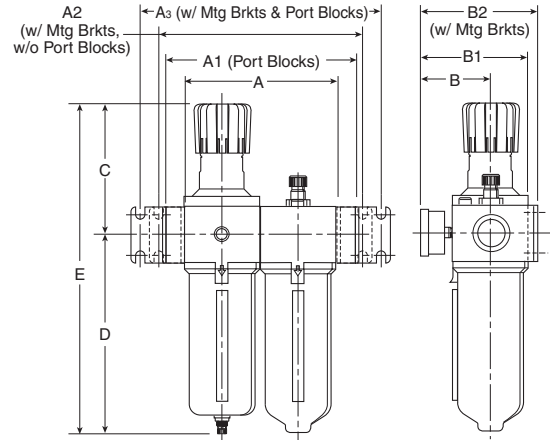
Modular Combinations – P3N Hi-Flow Series

- Regulator can be mounted with knob in up or down position.
- See individual component pages for details.

**Two-Unit
Combo**



- 40 Micron Filter Element
- Manual Twist Drain Standard on Filter
- Relieving Regulator
- 125 PSI (8.6 bar)



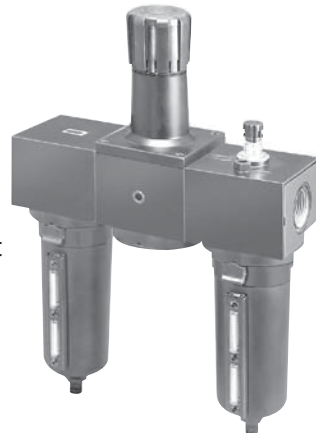
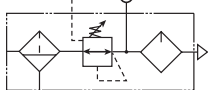
Series	Port	Model Numbers
P3NCA	3/4"	P3NCA96SGMNNLNA
	1"	P3NCA98SGMNNLNA
	1-1/2" †	P3NCA9PSGMNNLNA

A 7.24 (184)	A1 9.53 (242)	A2 9.84 (250)	A3 12.13 (308)	B 3.62 (92)	B1 5.20 (132)	B2 5.74 (146)
C 6.38 (162)	D 9.57 (243)	E 15.95 (405)				

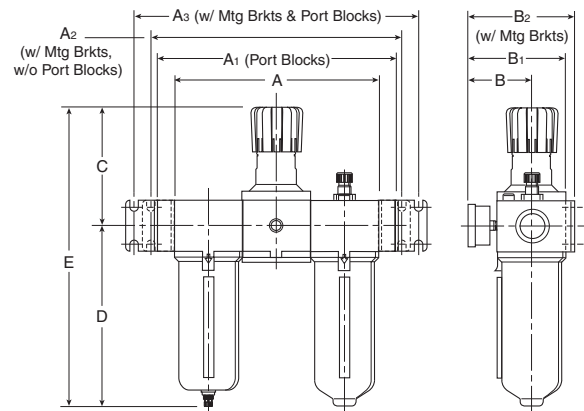
Notes: All Combo part numbers are with regulator knob in up position.
† 1" Port Body with 1-1/2" Port Block.
For other models, refer to Ordering Information on next page.

- Inches (mm)
- All dimensions nominal.
 - Mounting brackets not included (change last character in model number to "B" if required).
 - Gauges not included (change 12th character to "G" if required).

**Three-Unit
Combo**



- 40 Micron Filter Element
- Manual Twist Drain Standard on Filter
- Relieving Regulator
- 125 PSI (8.6 bar)



Series	Port	Model Numbers
P3NCB	3/4"	P3NCB96SGMNNLNA
	1"	P3NCB98SGMNNLNA
	1-1/2"†	P3NCB9PSGMNNLNA

A 10.87 (276)	A1 13.15 (334)	A2 13.46 (342)	A3 15.75 (400)	B 3.62 (92)	B1 5.20 (132)	B2 5.74 (146)
C 6.38 (162)	D 9.57 (243)	E 15.95 (405)				

Notes: All Combo part numbers are with regulator knob in up position.
† 1" Port Body with 1-1/2" Port Block.
For other models, refer to Ordering Information on next page.

- Inches (mm)
- All dimensions nominal.
 - Mounting brackets not included (change last character in model number to "B" if required).
 - Gauges not included (change 12th character to "G" if required).



Product Selection

Filters

Coalescers

Regulators

Filter / Regulators

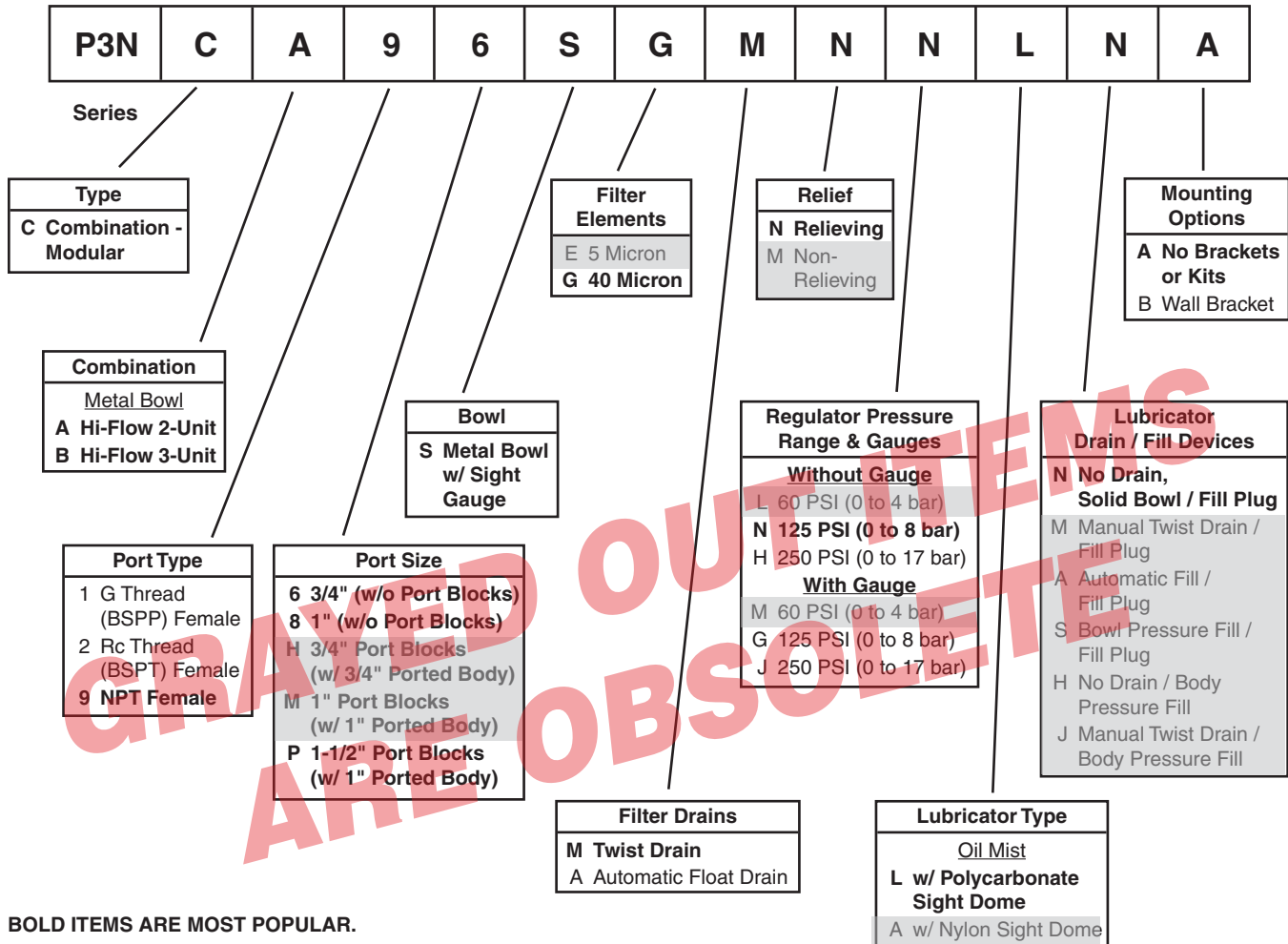
Lubricators

Combos

Accessories

Modular Combinations – P3N Hi-Flow Series

Ordering Information



BOLD ITEMS ARE MOST POPULAR.

CAUTION:

REGULATOR PRESSURE ADJUSTMENT – The working range of knob adjustment is designed to permit outlet pressures within their full range. Pressure adjustment beyond this range is also possible because the knob is not a limiting device. This is a common characteristic of most industrial regulators, and limiting devices may be obtained only by special design.

For best performance, regulated pressure should always be set by increasing the pressure up to the desired setting.

<p>⚠ WARNING</p> <p>Product rupture can cause serious injury. Do not connect regulator to bottled gas. Do not exceed maximum primary pressure rating.</p>

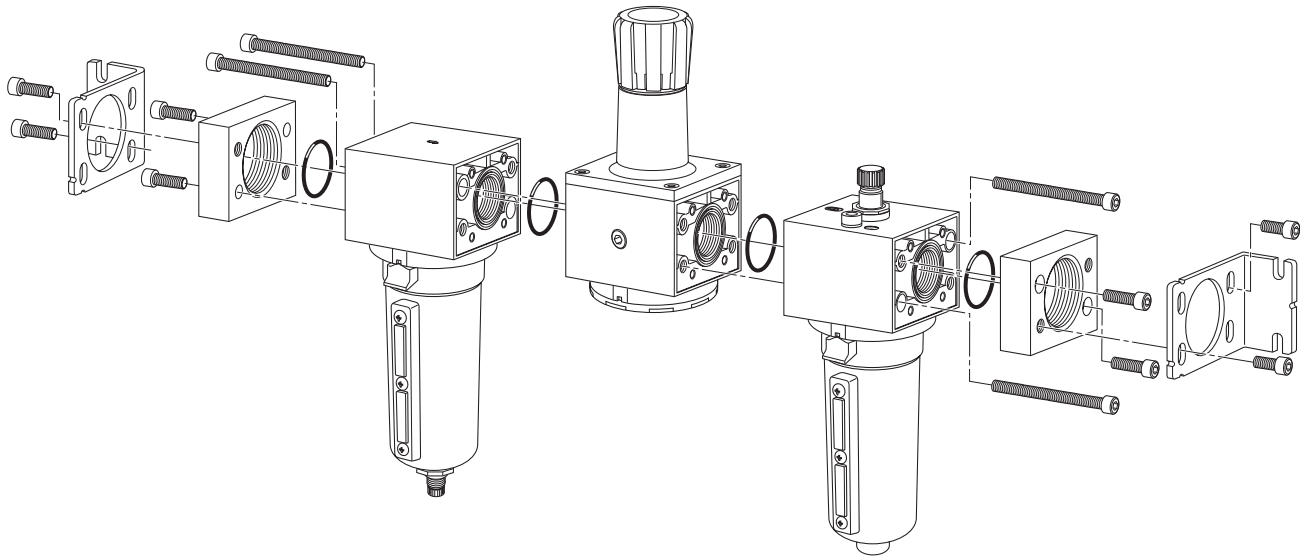
Kits & Accessories (See individual component sections for other kits and accessories.)

<p>Port Block Kits: For Modular Combinations</p> <table style="width: 100%; border-collapse: collapse;"> <tr> <td style="width: 33%;"></td> <td style="width: 33%; text-align: center;">3/4"</td> <td style="width: 33%; text-align: center;">1"</td> <td style="width: 33%; text-align: center;">1-1/2"</td> </tr> <tr> <td>NPT</td> <td>P3NKB96CL</td> <td>P3NKB98CL</td> <td>P3NKB9BCL</td> </tr> <tr> <td>BSPP</td> <td>P3NKB16CL*</td> <td>P3NKB18CL*</td> <td>P3NKB1BCL*</td> </tr> </table>		3/4"	1"	1-1/2"	NPT	P3NKB96CL	P3NKB98CL	P3NKB9BCL	BSPP	P3NKB16CL*	P3NKB18CL*	P3NKB1BCL*	<p>Wall Mounting Kit* P3NKA00MW</p> <p><small>* If 1-1/2 BSPP E02 fittings are required, use P3NKA0BMW.</small></p>
	3/4"	1"	1-1/2"										
NPT	P3NKB96CL	P3NKB98CL	P3NKB9BCL										
BSPP	P3NKB16CL*	P3NKB18CL*	P3NKB1BCL*										

* 3/4, 1 & 1-1/2 inch meet ISO 1179-1 Standard.

C	Product Selection
	Filters
	Coalescers
	Regulators
	Filter / Regulators
	Lubricators
	Compos
	Accessories

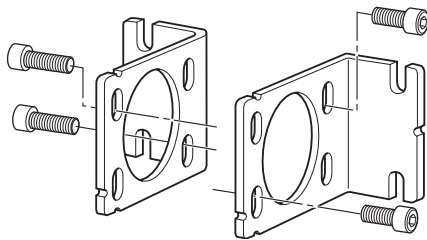
Modular Accessories – P3N Hi-Flow Series



Mounting Brackets

P3NKA00MW

For 1-1/2" BSPP Port Block with E02 fitting application, use **Mounting Bracket Kit P3NKA00MW**



For modular combinations, one side has groove and the mating side is flat. Use the o-ring seal provided in the groove. For some modular combinations, both surfaces may have grooves. In those applications, use o-ring in one groove and square seal provided in the other.

Port Block Kits

3/4" 1" 1-1/2"

Individual Filters, Individual Regulators and 2-Piece Filter and Regulator Assemblies:

- NPT** P3NKB96CP P3NKB98CP P3NKB9BCP
- BSPP** P3NKB16CP* P3NKB18CP* P3NKB1BCP*

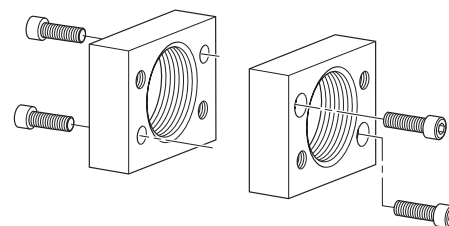
2 and 3 Piece Combinations including a Lubricator (FR/L & FRL), Individual Lubricators, Individual Coalescing Filters and 2-Piece Filter and Coalescer Assemblies:

- NPT** P3NKB96CL P3NKB98CL P3NKB9BCL
- BSPP** P3NKB16CL* P3NKB18CL* P3NKB1BCL*

Port Block Kits allow units to be installed or removed as modular components.

Each Kit includes all the necessary pieces to make two port connections.

* 3/4, 1 & 1-1/2 inch meet ISO 1179-1 Standard.

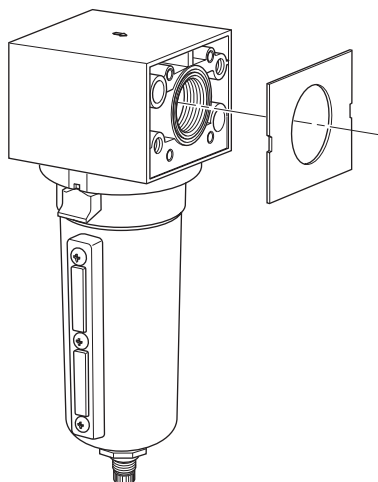


Replacement Body Covers

P3NKA00PM

Each Kit contains two covers.

All units are shipped with body covers.



Product Selection

Filters

Coalescers

Regulators

Filter / Regulators

Lubricators

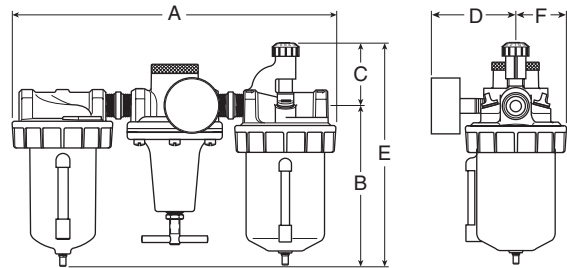
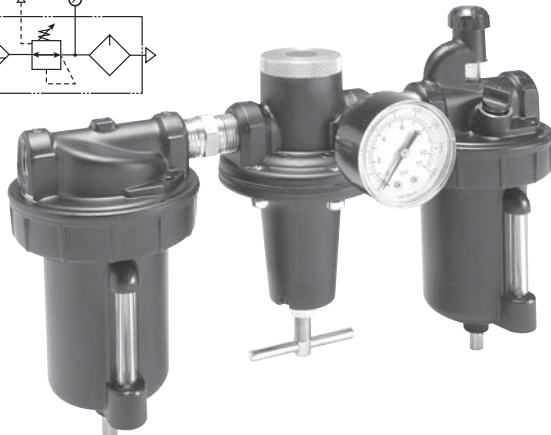
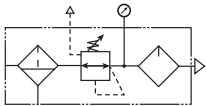
Combos

Accessories

Standard Combinations – C628 Series

- See individual components for details.
- Gauges included on combinations.

Three-Unit Combo



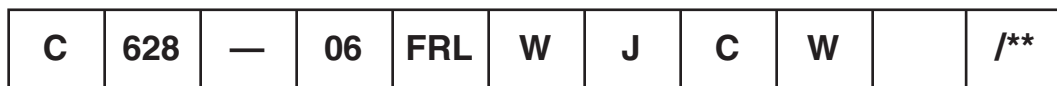
Series	Port	Model Numbers
C628	3/4"	C628-06FRLWJCW
	1"	C628-08FRLWJCW
	1-1/4"	C628-10FRLWJCW
	1-1/2"	C628-12FRLWJCW

A	B	C	D	E	F
C628-06FRL, C628-08FRL					
15.75 (400)	7.75 (197)	2.63 (67)	3.52 (89)	13.00 (330)	2.48 (63)
C628-10FRL, C628-12FRL					
16.50 (419)	8.13 (206)	2.84 (72)	3.86 (98)	14.13 (359)	2.64 (67)

Inches (mm)
 • All dimensions nominal.

For other models, refer to ordering information below.

Ordering Information



Port Size
06 3/4 Inch
08 1 Inch
10 1-1/4 Inch
12 1-1/2 Inch

Filter Bowl Options
E 32 oz. Large Capacity wo/Sight Gauge
W 16 oz. Metal w/Sight Gauge

Elements
G 5 Micron
J 40 Micron

Engineering Change Designator
Will be entered at factory.

Regulator Reduced Pressure Range
C 0-125 psig
D 0-250 psig

Drains and Options
H Button Head Fill Fitting (Lubricator)
K Non-Relieving Regulator
Q External Heavy Duty Auto Drain (Filter)
R Internal Auto Drain (Filter)
X9 Manual Twist Drain on Lubricator (Increases Product Length by 9/16 Inch)

Lubricator Bowl Options
E 32 oz. Large Capacity wo/Sight Gauge
W 16 oz. Metal w/Sight Gauge

BOLD ITEMS ARE MOST POPULAR.

⚠ WARNING

**Product rupture can cause serious injury.
 Do not connect regulator to bottled gas.
 Do not exceed maximum primary pressure rating.**

CAUTION:

REGULATOR PRESSURE ADJUSTMENT – The working range of knob adjustment is designed to permit outlet pressures within their full range. Pressure adjustment beyond this range is also possible because the knob is not a limiting device. This is a common characteristic of most industrial regulators, and limiting devices may be obtained only by special design.

For best performance, regulated pressure should always be set by increasing the pressure up to the desired setting.

C

Product Selector

Filters

Coalescers

Regulators

Filter / Regulators

Lubricators

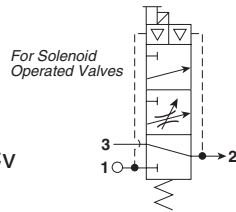
Combos

Accessories

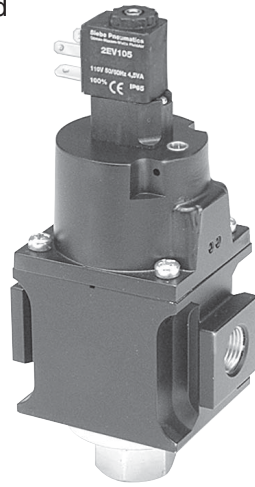
06S & 07S Soft Start / Quick Dump Valve

Features

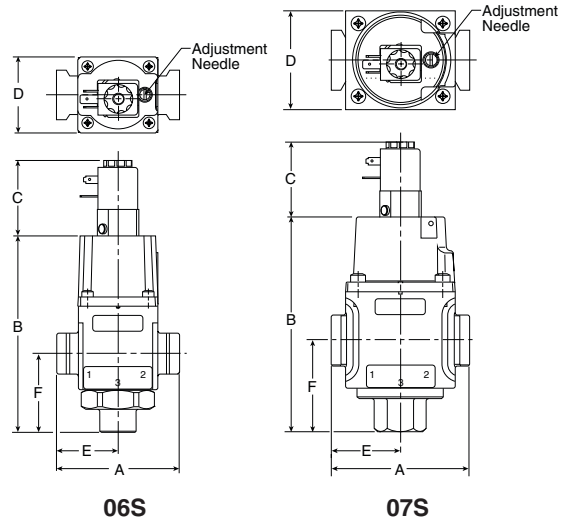
- Combines Soft Start and Quick Dump Valve in the same body
- Large flow capacities up to 5.7 Cv
- Inline or Modular mounting
- Soft Start flow easily adjusted



06S



07S



Dimensions:

Model	Port Size	A	B	C	D	E	F
06S	3/8"	3.36 (85)	5.40 (137)	2.07 (53)	2.08 (53)	1.68 (43)	2.17 (55)
07S	1/2"	3.81 (96)	5.96 (151)	2.07 (53)	2.74 (70)	1.91 (48)	2.54 (65)

Inches (mm)

Operation

When the valve is installed into the pneumatic system and pilot operator receives no signal, the air is blocked at Port 1. When a pilot signal is received at pilot operator, the valve shifts closing the connection between Ports 2 and 3. At the same time air flow begins between Ports 1 and 2 at a slow rate controlled by the needle valve located on the top of the valve. When the down stream pressure reaches approximately 60% of the supply pressure, the main valve spool opens allowing full flow through the valve into the system. If pilot signal or system pressure is lost, the valve returns to it's initial state venting the down stream pressure through Port 3.

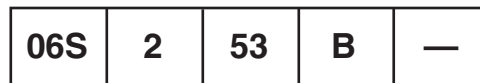
Pressure supply piping must be the same size as the inlet port or larger to insure that the pilot valve receives sufficient pressure supply during high flow conditions.

The valves pilot signal is through a solenoid pilot mounted on the head. The valve should be mounted downstream of the FRL and with the soft start adjustment needle easily accessible.

⚠ CAUTION: Do not use synthetic, reconstituted, or oils with an alcohol content or detergent additive.

⚠ CAUTION: Do not restrict the inlet of valves.

Ordering Information



Series	
06S	Soft Start / Quick Dump Valve
07S	Soft Start / Quick Dump Valve

Port Size
2 3/8 Inch (06S)
3 1/2 Inch (07S)

Operator / Voltage
30-145 PSI
49 24VDC*
53 120/60 Hz*
145-200 PSI
69 24VDC**
73 120/60 Hz**
MD M12 Male Connector, 4 Pole; 24VDC

Engineering Level
B Current

Thread Type / Label
Blank NPT
1* BSPP (G)

* 3/8 & 1/2 inch meet ISO 1179-1 Standard.

BOLD ITEMS ARE MOST POPULAR.

* For Voltage Options 49 and 53, use 22mm connectors
 ** For Voltage Options 69 and 73, use 30mm connectors



Product Selection
Filters
Coalescers
Regulators
Filter / Regulators
Lubricators
Combs
Accessories

Performance Characteristics

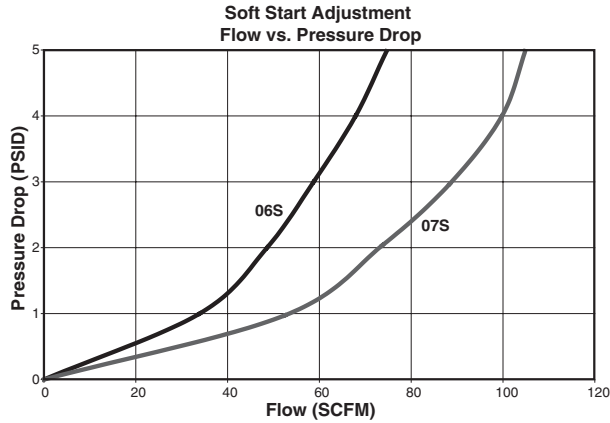


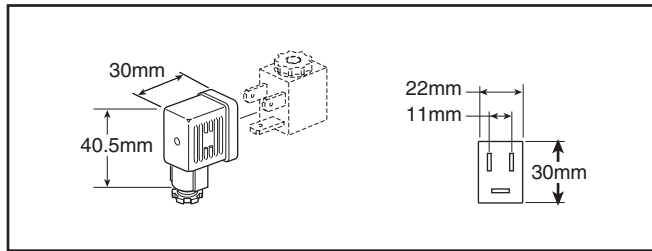
Table 1: Shows the relationship between the inlet pressure and downstream pressure at which the main valve opens.

Inlet Pressure psig	Downstream Pressure psig	
	06S	07S
75	55	52
100	67	68
125	80	82

Table 2: Product forward Flow Cv and Exhaust Flow Cv.

Series	Flow Cv	Exhaust Flow Cv
06S	4.1	3.4
07S	5.7	4.6

22mm Rectangular 3-Pin



Connector	Connector with 6' (2m) Cord	Description
PS2429BP	PS2429JBP	Unlighted
PS243079BP	PS2430J79BP*	Light – 24VDC
PS243083BP	PS2430J83BP*	Light – 120V/60Hz

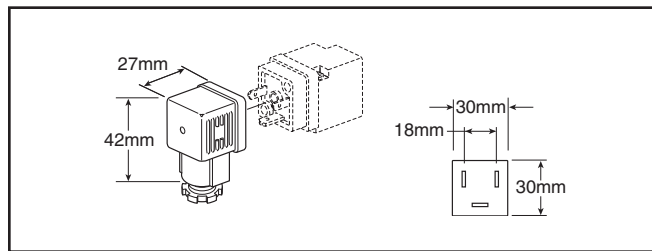
* LED with surge suppression.

Note: Max ø6.5mm cable size required for connector w/o 6' (2m) cord. IP65 rated when properly installed.

Engineering Data:

Conductors: 2 Poles Plus Ground; Cable Range (Connector Only): 6 to 8mm (0.24 to 0.31 Inch); Contact Spacing: 11mm

30mm Square 3-Pin



Connector	Connector with 6' (2m) Cord	Description
PS2028BP	PS2028JBP	Unlighted
PS203279BP	PS2032J79BP*	Light – 24VDC
PS203283BP	PS2032J83BP*	Light – 120V/60Hz

* LED with surge suppression.

Note: Max ø6.5mm cable size required for connector w/o 6' (2m) cord. IP65 rated when properly installed.

Engineering Data:

Conductors: 2 Poles Plus Ground; Cable Range (Connector Only): 8 to 10mm (0.31 to 0.39 Inch); Contact Spacing: 18mm

Kits & Accessories

- 06S Repair Kit PHRKSC75
- 07S Repair KitPHRKSC105
- 06 Modular Body Connectors PS754P
- 07 Modular Body Connectors PS854P
- 1/2" Exhaust Silencer ES50MB
- 3/4" Exhaust Silencer ES75MB

Specifications

Exhaust Ports

- 06S1/2 Inch
- 07S3/4 Inch

Inlet and Outlet Ports

- 06S 3/8 Inch
- 07S 1/2 Inch

Maximum Pressure –

- Standard Coil 145 psig (10.0 bar)
- High Pressure Coil 200 psig (13.8 bar)

Minimum Operating Pressure 30 psig (2.1 bar)

Temperature Ratings 40°F to 120°F (4°C to 49°C)

Weight

- 06S2.25 lbs. (1.02 kg)
- 07S3.75 lbs. (1.70 kg)

Materials of Construction

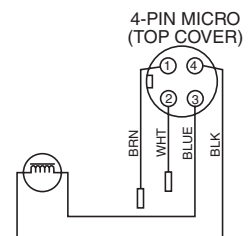
- Body Aluminum
- Bottom Plug Brass

Connections

Central M12 Male Connector, 4 Pole

Pin Number	Function	Color
1	24V Supply	Brown
2	0 to 10V or 4 to 20mA Control Signal Ri = 100k Ω	White
3	0V (GND) Supply	Blue
4	24V Alarm Output Signal	Black

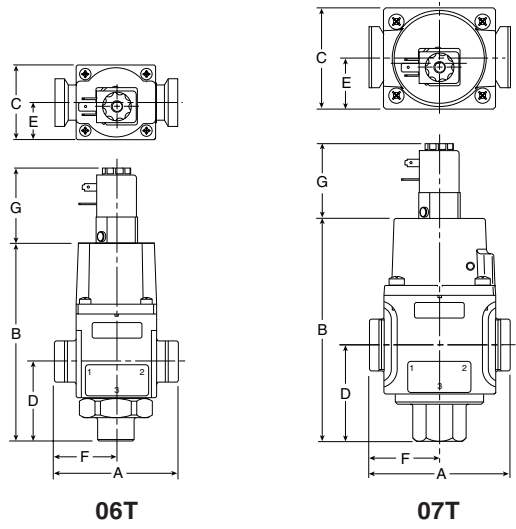
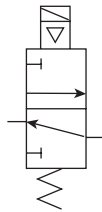
ISO 20401



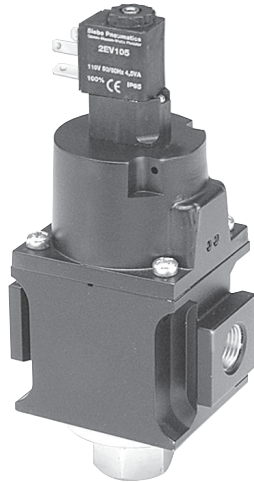
06T & 07T Solenoid Quick Dump Valve

Features

- Shuts off incoming pressure while rapidly exhausting downstream pressure
- Large exhaust flow capacities up to 5.0 Cv
- Solenoid operation
- Non-locking manual override
- Inline or Modular Mounting



06T



07T

Dimensions:

Model	Port Size	A	B	C	D	E	F	G	H
06T	3/8"	3.36 (85)	5.40 (137)	2.08 (53)	2.17 (26)	1.04 (43)	1.68 (43)	2.07 (53)	1.90 (48)
07T	1/2"	3.81 (96)	5.96 (151)	2.74 (70)	2.55 (65)	1.37 (35)	1.91 (48)	2.07 (53)	1.90 (48)

Inches (mm)

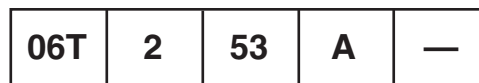
Operation

The solenoid quick dump valves are high flow, normally closed, 3-Port, 2-Position directional control valves. Upon energizing the solenoid, inlet air is applied to the top of the piston. The piston pushes against the spring and opens the main valve providing full flow air to the downstream. When the solenoid is de-energized, the main valve closes allowing downstream air to exhaust rapidly through the bottom plug. The bottom plug is tapped so that exhaust may be piped away or fitted with a muffler.

CAUTION: Do not use synthetic, reconstituted, or oils with an alcohol content or detergent additive.

CAUTION: Do not restrict the inlet of valves having an internal pilot supply. Pressure supply piping must be the same size as the inlet port or larger to insure that the pilot valve receives sufficient pressure supply during high flow conditions.

Ordering Information



Series	
06T	Solenoid Quick Dump Valve
07T	Solenoid Quick Dump Valve

Port Size
2 3/8 Inch (06T)
3 1/2 Inch (07T)

Operator / Voltage
30-145 PSI
49 24VDC*
53 120/60 Hz*
145-200 PSI
69 24VDC**
73 120/60 Hz**
MD M12 Male Connector, 4 Pole; 24VDC

Engineering Level
A Current

Thread Type / Label
Blank NPT
1* BSPP (G)

* 3/8 & 1/2 inch meet ISO 1179-1 Standard.

BOLD ITEMS ARE MOST POPULAR.

* For Voltage Options 49 and 53, use 22mm connectors

** For Voltage Options 69 and 73, use 30mm connectors



Performance Characteristics

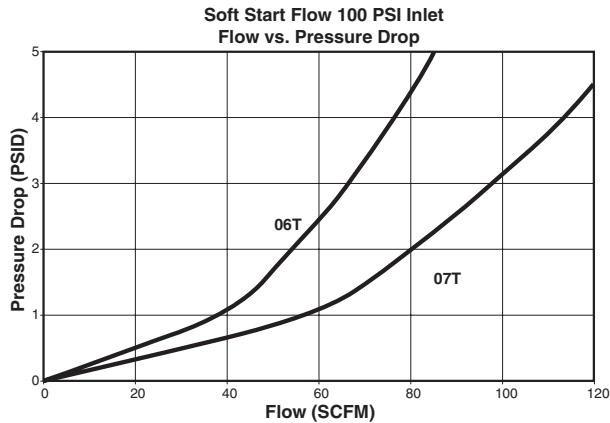
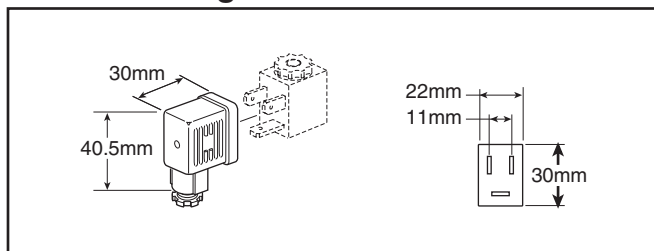


Table 2: Product forward Flow Cv (1 to 2).

Series	Flow Cv	Exhaust Flow Cv
06T	3.7	4.1
07T	5.5	5.0

22mm Rectangular 3-Pin



Connector	Connector with 6' (2m) Cord	Description
PS2429BP	PS2429JBP	Unlighted
PS243079BP	PS2430J79BP*	Light – 24VDC
PS243083BP	PS2430J83BP*	Light – 120V/60Hz

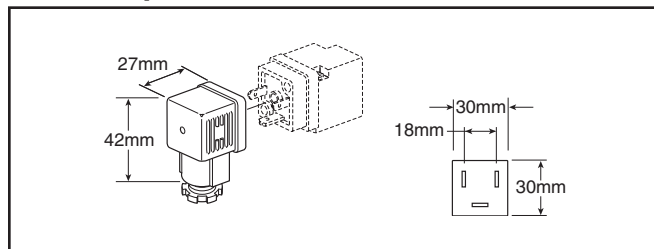
* LED with surge suppression.

Note: Max ø6.5mm cable size required for connector w/o 6' (2m) cord.
 IP65 rated when properly installed.

Engineering Data:

Conductors: 2 Poles Plus Ground; Cable Range (Connector Only):
 6 to 8mm (0.24 to 0.31 Inch); Contact Spacing: 11mm

30mm Square 3-Pin



Connector	Connector with 6' (2m) Cord	Description
PS2028BP	PS2028JBP	Unlighted
PS203279BP	PS2032J79BP*	Light – 6-24VDC
PS203283BP	PS2032J83BP*	Light – 120V/60Hz

* LED with surge suppression.

Note: Max ø6.5mm cable size required for connector w/o 6' (2m) cord.
 IP65 rated when properly installed.

Engineering Data:

Conductors: 2 Poles Plus Ground; Cable Range (Connector Only):
 8 to 10mm (0.31 to 0.39 Inch); Contact Spacing: 18mm

Kits & Accessories

- 06T Repair Kit PHRKS75
- 07T Repair Kit PHRKS105
- 06 Modular Body Connectors PS754P
- 07 Modular Body Connectors PS854P
- 1/2" Exhaust Silencer ES50MB
- 3/4" Exhaust Silencer ES75MB

Specifications

- Exhaust Ports**
- 06T 1/2 Inch
 - 07T 3/4 Inch

- Inlet and Outlet Ports**
- 06T 3/8 Inch
 - 07T 1/2 Inch

- Maximum Pressure –**
- Standard Coil 145 psig (10.0 bar)
 - High Pressure Coil 200 psig (13.8 bar)

Minimum Operating Pressure 30 psig (2.1 bar)

Temperature Ratings 40°F to 120°F (4°C to 49°C)

- Weight**
- 06T 2.25 lbs. (1.02 kg)
 - 07T 3.75 lbs. (1.70 kg)

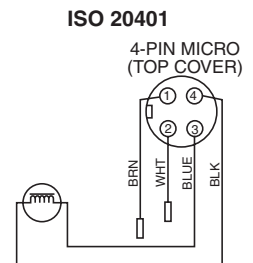
Materials of Construction

- Body Aluminum
- Bottom Plug Brass

Connections

Central M12 Male Connector, 4 Pole

Pin Number	Function	Color
1	24V Supply	Brown
2	0 to 10V or 4 to 20mA Control Signal Ri = 100k Ω	White
3	0V (GND) Supply	Blue
4	24V Alarm Output Signal	Black

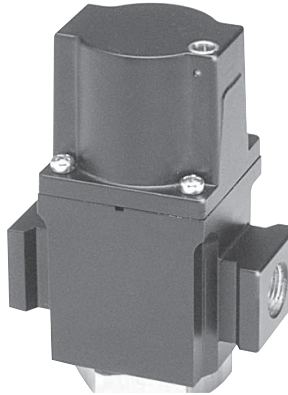
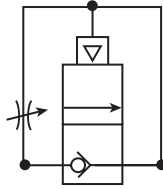


Auto Pilot Soft Start Valve

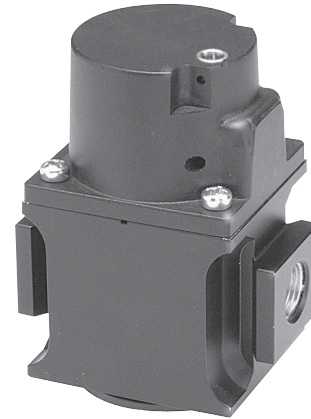
06P & 07P Auto Pilot Soft Start Valve

Features

- Smooth start-up of pneumatic system
- Air pilot operation
- Large flow capacities up to 5.5 Cv
- Inline or Modular Mounting



06P



07P

Operation

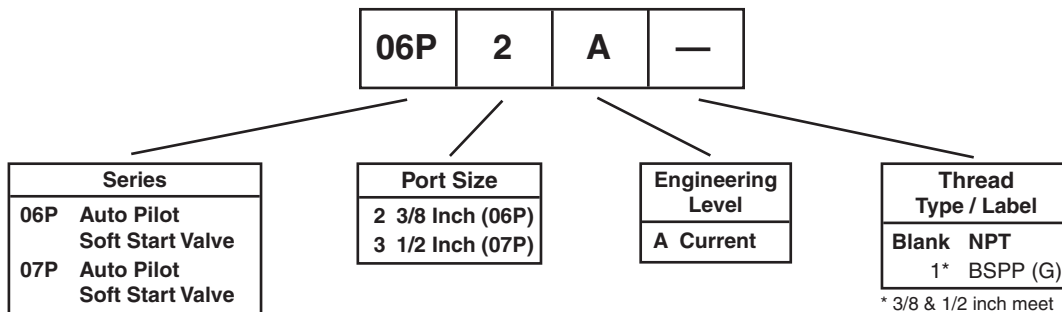
When pressure is supplied to the inlet port, gradual filling of the downstream system occurs through the adjustable needle valve. The piston opens the main valve approximately 60% of the supply pressure. The ramp up time to reach the switch over pressure is adjustable via the needle valve in the cover.

The Auto pilot soft start valve is not intended to be used as a shut off valve and should always be placed after a shut off valve.

CAUTION: Do not use synthetic, reconstituted, or oils with an alcohol content or detergent additive.

CAUTION: Do not restrict the inlet of valves having an internal pilot supply. Pressure supply piping must be the same size as the inlet port or larger to insure that the pilot valve receives sufficient pressure supply during high flow conditions.

Ordering Information



* 3/8 & 1/2 inch meet ISO 1179-1 Standard.

BOLD ITEMS ARE MOST POPULAR.



C	Product Selection
Filters	Coalescers
Regulators	Filter / Regulators
Lubricators	Combs
Accessories	

Performance Characteristics

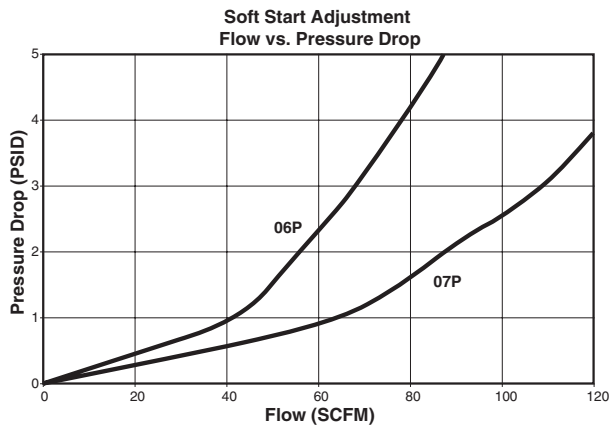


Table 1: Shows the relationship between the inlet pressure and downstream pressure at which the main valve opens.

Inlet Pressure psig	Downstream Pressure psig	
	06P	07P
75	45	25
100	60	33
125	75	38
150	85	45

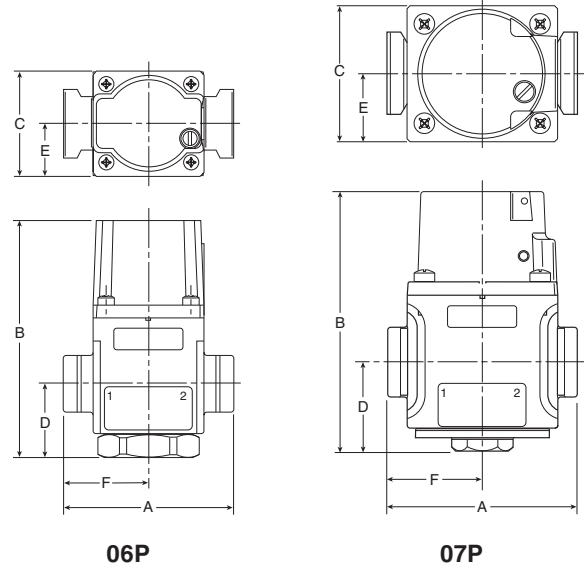
Table 2: Product forward Flow Cv (1 to 2).

Series	Flow Cv
06P	3.8
07P	5.5

Dimensions:

Model	Port Size	A	B	C	D	E	F
06P	3/8"	3.36 (85)	4.70 (119)	2.08 (53)	1.48 (38)	1.04 (26)	1.68 (43)
07P	1/2"	3.81 (96)	5.21 (132)	2.07 (53)	1.80 (46)	1.37 (35)	1.91 (48)

Inches (mm)



Repair Kits

- 06P Repair KitPHRKSS75
- 07P Repair KitPHRKSS105
- 06 Modular Body Connectors PS754P
- 07 Modular Body Connectors PS854P

Materials of Construction

- Body Aluminum
- Bottom Plug –
 - 06P Brass
 - 07P Zinc

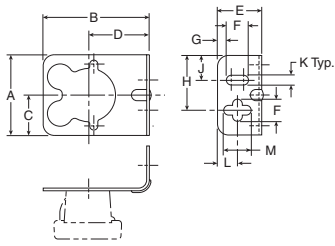
Specifications

- Maximum Pressure300 psig (20.7 bar)
- Minimum Operating Pressure 30 psig (2.1 bar)
- Temperature Ratings 40°F to 120°F (4°C to 49°C)
- Opens to Full Flow 60% Supply Pressure
- Weight –
 - 06P2.75 lb. (1.25 kg)
 - 07P4.50 lb. (2.04 kg)

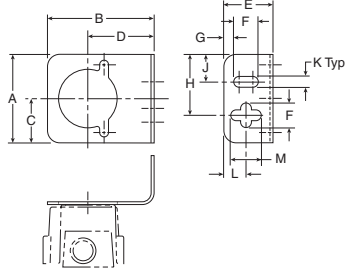
C

- Product Selection
- Filters
- Coalescers
- Regulators
- Filter / Regulators
- Lubricators
- Combos
- Accessories

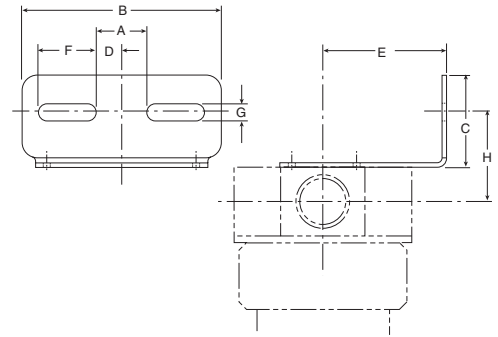
Mounting Bracket Kits



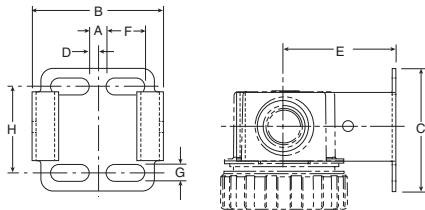
PS417BP
 (Includes Panel Mount Nut)



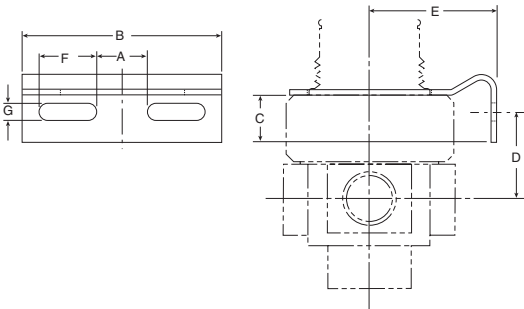
PS419
 (Includes Panel Mount Nut)



PS743P, PS843P

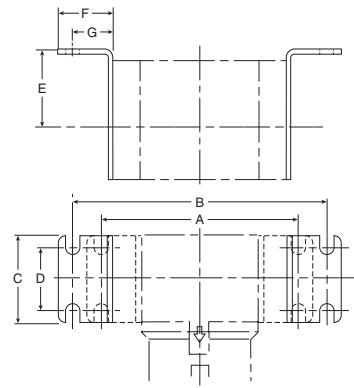


PS943P



PS707P & PS807P
 (Includes Panel Mount Nut)

PS963P
 (Includes Aluminum Panel Mount Nut)



P3NKA00MW

Dimensions

A	B	C	D	E	F	G	H	J	K	L	M	Kit
1.80 (46)	2.37 (60)	0.90 (23)	1.35 (34)	1.00 (25)	0.50 (13)	0.20 (5)	1.24 (31)	0.56 (14)	0.22 (6)	0.45 (11)	0.62 (16)	PS417BP (10F, 14F, P3A, 14R, 14E)
1.80 (46)	2.17 (55)	0.90 (23)	1.35 (34)	1.00 (25)	0.50 (13)	0.20 (5)	1.24 (31)	0.56 (14)	0.22 (6)	0.45 (11)	0.62 (16)	PS419 (04L)
0.84 (21)	3.25 (83)	1.50 (38)	0.42 (11)	2.00 (51)	0.94 (24)	0.28 (7)	1.44 (37)	—	—	—	—	PS743P (06F, 11F, 06L, 16L)
1.00 (25)	3.94 (100)	1.57 (40)	0.50 (13)	2.19 (56)	1.25 (32)	0.28 (7)	1.68 (43)	—	—	—	—	PS843P (07F, 12F, 07L, 17L)
0.28 (7)	2.12 (54)	2.00 (51)	0.14 (4)	1.85 (47)	0.63 (16)	0.28 (7)	1.41 (36)	—	—	—	—	PS943P (05F, 15F, 15L)
0.84 (21)	2.59 (66)	0.49 (12)	1.02 (26)	1.85 (47)	0.61 (15)	0.28 (7)	—	—	—	—	—	PS963P (05R, 10R, 05E, 27E)
0.84 (21)	3.26 (83)	0.77 (20)	1.46 (37)	2.00 (51)	0.94 (24)	0.28 (7)	—	—	—	—	—	PS707P (06R, 06E, 11R)
1.00 (25)	3.94 (100)	0.65 (17)	1.68 (43)	2.19 (56)	1.25 (32)	0.28 (7)	—	—	—	—	—	PS807P (07R, 07E, 12R)
6.22 (158)	8.19 (208)	2.75 (70)	1.97 (50)	2.36 (60)	1.77 (45)	1.30 (33)	—	—	—	—	—	P3NKA00MW (P3NF, P3NR, P3NE, P3NL)

inches (mm)

Safety Guide For Selecting And Using Pneumatic Division Products And Related Accessories

WARNING:

FAILURE OR IMPROPER SELECTION OR IMPROPER USE OF PNEUMATIC DIVISION PRODUCTS, ASSEMBLIES OR RELATED ITEMS (“PRODUCTS”) CAN CAUSE DEATH, PERSONAL INJURY, AND PROPERTY DAMAGE. POSSIBLE CONSEQUENCES OF FAILURE OR IMPROPER SELECTION OR IMPROPER USE OF THESE PRODUCTS INCLUDE BUT ARE NOT LIMITED TO:

- Unintended or mistimed cycling or motion of machine members or failure to cycle
- Work pieces or component parts being thrown off at high speeds.
- Failure of a device to function properly for example, failure to clamp or unclamp an associated item or device.
- Explosion
- Suddenly moving or falling objects.
- Release of toxic or otherwise injurious liquids or gasses.

Before selecting or using any of these Products, it is important that you read and follow the instructions below.

1. GENERAL INSTRUCTIONS

- 1.1. Scope:** This safety guide is designed to cover general guidelines on the installation, use, and maintenance of Pneumatic Division Valves, FRLs (Filters, Pressure Regulators, and Lubricators), Vacuum products and related accessory components.
- 1.2. Fail-Safe:** Valves, FRLs, Vacuum products and their related components can and do fail without warning for many reasons. Design all systems and equipment in a fail-safe mode, so that failure of associated valves, FRLs or Vacuum products will not endanger persons or property.
- 1.3. Relevant International Standards:** For a good guide to the application of a broad spectrum of pneumatic fluid power devices see: ISO 4414:1998, Pneumatic Fluid Power – General Rules Relating to Systems. See www.iso.org for ordering information.
- 1.4. Distribution:** Provide a copy of this safety guide to each person that is responsible for selection, installation, or use of Valves, FRLs or Vacuum products. Do not select, or use Parker valves, FRLs or vacuum products without thoroughly reading and understanding this safety guide as well as the specific Parker publications for the products considered or selected.
- 1.5. User Responsibility:** Due to the wide variety of operating conditions and applications for valves, FRLs, and vacuum products Parker and its distributors do not represent or warrant that any particular valve, FRL or vacuum product is suitable for any specific end use system. This safety guide does not analyze all technical parameters that must be considered in selecting a product. The user, through its own analysis and testing, is solely responsible for:
 - Making the final selection of the appropriate valve, FRL, Vacuum component, or accessory.
 - Assuring that all user's performance, endurance, maintenance, safety, and warning requirements are met and that the application presents no health or safety hazards.
 - Complying with all existing warning labels and / or providing all appropriate health and safety warnings on the equipment on which the valves, FRLs or Vacuum products are used; and,
 - Assuring compliance with all applicable government and industry standards.
- 1.6. Safety Devices:** Safety devices should not be removed, or defeated.
- 1.7. Warning Labels:** Warning labels should not be removed, painted over or otherwise obscured.
- 1.8. Additional Questions:** Call the appropriate Parker technical service department if you have any questions or require any additional information. See the Parker publication for the product being considered or used, or call 1-800-CPARKER, or go to www.parker.com, for telephone numbers of the appropriate technical service department.

2. PRODUCT SELECTION INSTRUCTIONS

- 2.1. Flow Rate:** The flow rate requirements of a system are frequently the primary consideration when designing any pneumatic system. System components need to be able to provide adequate flow and pressure for the desired application.
- 2.2. Pressure Rating:** Never exceed the rated pressure of a product. Consult product labeling, Pneumatic Division catalogs or the instruction sheets supplied for maximum pressure ratings.
- 2.3. Temperature Rating:** Never exceed the temperature rating of a product. Excessive heat can shorten the life expectancy of a product and result in complete product failure.
- 2.4. Environment:** Many environmental conditions can affect the integrity and suitability of a product for a given application. Pneumatic Division products are designed for use in general purpose industrial applications. If these products are to be used in unusual circumstances such as direct sunlight and/or corrosive or caustic environments, such use can shorten the useful life and lead to premature failure of a product.
- 2.5. Lubrication and Compressor Carryover:** Some modern synthetic oils can and will attack nitrile seals. If there is any possibility of synthetic oils or greases migrating into the pneumatic components check for compatibility with the seal materials used. Consult the factory or product literature for materials of construction.
- 2.6. Polycarbonate Bowls and Sight Glasses:** To avoid potential polycarbonate bowl failures:
 - Do not locate polycarbonate bowls or sight glasses in areas where they could be subject to direct sunlight, impact blow, or temperatures outside of the rated range.
 - Do not expose or clean polycarbonate bowls with detergents, chlorinated hydro-carbons, ketones, esters or certain alcohols.
 - Do not use polycarbonate bowls or sight glasses in air systems where compressors are lubricated with fire resistant fluids such as phosphate ester and di-ester lubricants.

Safety Guide

2.7. Chemical Compatibility: For more information on plastic component chemical compatibility see Pneumatic Division technical bulletins Tec-3, Tec-4, and Tec-5

- 2.8. Product Rupture:** Product rupture can cause death, serious personal injury, and property damage.
- Do not connect pressure regulators or other Pneumatic Division products to bottled gas cylinders.
 - Do not exceed the maximum primary pressure rating of any pressure regulator or any system component.
 - Consult product labeling or product literature for pressure rating limitations.

3. PRODUCT ASSEMBLY AND INSTALLATION INSTRUCTIONS

3.1. Component Inspection: Prior to assembly or installation a careful examination of the valves, FRLs or vacuum products must be performed. All components must be checked for correct style, size, and catalog number. DO NOT use any component that displays any signs of nonconformance.

3.2. Installation Instructions: Parker published Installation Instructions must be followed for installation of Parker valves, FRLs and vacuum components. These instructions are provided with every Parker valve or FRL sold, or by calling 1-800-CPARKER, or at www.parker.com.

3.3. Air Supply: The air supply or control medium supplied to Valves, FRLs and Vacuum components must be moisture-free if ambient temperature can drop below freezing

4. VALVE AND FRL MAINTENANCE AND REPLACEMENT INSTRUCTIONS

4.1. Maintenance: Even with proper selection and installation, valve, FRL and vacuum products service life may be significantly reduced without a continuing maintenance program. The severity of the application, risk potential from a component failure, and experience with any known failures in the application or in similar applications should determine the frequency of inspections and the servicing or replacement of Pneumatic Division products so that products are replaced before any failure occurs. A maintenance program must be established and followed by the user and, at minimum, must include instructions 4.2 through 4.10.

4.2. Installation and Service Instructions: Before attempting to service or replace any worn or damaged parts consult the appropriate Service Bulletin for the valve or FRL in question for the appropriate practices to service the unit in question. These Service and Installation Instructions are provided with every Parker valve and FRL sold, or are available by calling 1-800-CPARKER, or by accessing the Parker web site at www.parker.com.

4.3. Lockout / Tagout Procedures: Be sure to follow all required lockout and tagout procedures when servicing equipment. For more information see: OSHA Standard – 29 CFR, Part 1910.147, Appendix A, The Control of Hazardous Energy – (Lockout / Tagout)

4.4. Visual Inspection: Any of the following conditions requires immediate system shut down and replacement of worn or damaged components:

- Air leakage: Look and listen to see if there are any signs of visual damage to any of the components in the system. Leakage is an indication of worn or damaged components.
- Damaged or degraded components: Look to see if there are any visible signs of wear or component degradation.
- Kinked, crushed, or damaged hoses. Kinked hoses can result in restricted air flow and lead to unpredictable system behavior.
- Any observed improper system or component function: Immediately shut down the system and correct malfunction.
- Excessive dirt build-up: Dirt and clutter can mask potentially hazardous situations.

Caution: Leak detection solutions should be rinsed off after use.

4.5. Routine Maintenance Issues:

- Remove excessive dirt, grime and clutter from work areas.
- Make sure all required guards and shields are in place.

4.6. Functional Test: Before initiating automatic operation, operate the system manually to make sure all required functions operate properly and safely.

4.7. Service or Replacement Intervals: It is the user's responsibility to establish appropriate service intervals. Valves, FRLs and vacuum products contain components that age, harden, wear, and otherwise deteriorate over time. Environmental conditions can significantly accelerate this process. Valves, FRLs and vacuum components need to be serviced or replaced on routine intervals. Service intervals need to be established based on:

- Previous performance experiences.
- Government and / or industrial standards.
- When failures could result in unacceptable down time, equipment damage or personal injury risk.

4.8. Servicing or Replacing of any Worn or Damaged Parts: To avoid unpredictable system behavior that can cause death, personal injury and property damage:

- Follow all government, state and local safety and servicing practices prior to service including but not limited to all OSHA Lockout Tagout procedures (OSHA Standard – 29 CFR, Part 1910.147, Appendix A, The Control of Hazardous Energy – Lockout / Tagout).
- Disconnect electrical supply (when necessary) before installation, servicing, or conversion.
- Disconnect air supply and depressurize all air lines connected to system and Pneumatic Division products before installation, service, or conversion.
- Installation, servicing, and / or conversion of these products must be performed by knowledgeable personnel who understand how pneumatic products are to be applied.
- After installation, servicing, or conversions air and electrical supplies (when necessary) should be connected and the product tested for proper function and leakage. If audible leakage is present, or if the product does not operate properly, do not put product or system into use.
- Warnings and specifications on the product should not be covered or painted over. If masking is not possible, contact your local representative for replacement labels.

4.9. Putting Serviced System Back into Operation: Follow the guidelines above and all relevant Installation and Maintenance Instructions supplied with the valve FRL or vacuum component to insure proper function of the system.

The items described in this document and other documents and descriptions provided by Parker Hannifin Corporation, its subsidiaries and its authorized distributors ("Seller") are hereby offered for sale at prices to be established by Seller. This offer and its acceptance by any customer ("Buyer") shall be governed by all of the following Terms and Conditions. Buyer's order for any item described in its document, when communicated to Seller verbally, or in writing, shall constitute acceptance of this offer. All goods or work described will be referred to as "Products".

- 1. Terms and Conditions.** Seller's willingness to offer Products, or accept an order for Products, to or from Buyer is subject to these Terms and Conditions or any newer version of the terms and conditions found on-line at www.parker.com/saleterms/. Seller objects to any contrary or additional terms or conditions of Buyer's order or any other document issued by Buyer.
- 2. Price Adjustments; Payments.** Prices stated on Seller's quote or other documentation offered by Seller are valid for 30 days, and do not include any sales, use, or other taxes unless specifically stated. Unless otherwise specified by Seller, all prices are F.C.A. Seller's facility (INCOTERMS 2010). Payment is subject to credit approval and is due 30 days from the date of invoice or such other term as required by Seller's Credit Department, after which Buyer shall pay interest on any unpaid invoices at the rate of 1.5% per month or the maximum allowable rate under applicable law.
- 3. Delivery Dates; Title and Risk; Shipment.** All delivery dates are approximate and Seller shall not be responsible for any damages resulting from any delay. Regardless of the manner of shipment, title to any products and risk of loss or damage shall pass to Buyer upon placement of the products with the shipment carrier at Seller's facility. Unless otherwise stated, Seller may exercise its judgment in choosing the carrier and means of delivery. No deferral of shipment at Buyers' request beyond the respective dates indicated will be made except on terms that will indemnify, defend and hold Seller harmless against all loss and additional expense. Buyer shall be responsible for any additional shipping charges incurred by Seller due to Buyer's acts or omissions.
- 4. Warranty.** Seller warrants that the Products sold hereunder shall be free from defects in material or workmanship for a period of twelve months from the date of delivery to Buyer or 2,000 hours of normal use, whichever occurs first. The prices charged for Seller's products are based upon the exclusive limited warranty stated above, and upon the following disclaimer: **DISCLAIMER OF WARRANTY: THIS WARRANTY COMPRISES THE SOLE AND ENTIRE WARRANTY PERTAINING TO PRODUCTS PROVIDED HEREUNDER. SELLER DISCLAIMS ALL OTHER WARRANTIES, EXPRESS AND IMPLIED, INCLUDING DESIGN, MERCHANTABILITY AND FITNESS FOR A PARTICULAR PURPOSE.**
- 5. Claims; Commencement of Actions.** Buyer shall promptly inspect all Products upon delivery. No claims for shortages will be allowed unless reported to the Seller within 10 days of delivery. No other claims against Seller will be allowed unless asserted in writing within 30 days after delivery. Buyer shall notify Seller of any alleged breach of warranty within 30 days after the date the defect is or should have been discovered by Buyer. Any action based upon breach of this agreement or upon any other claim arising out of this sale (other than an action by Seller for an amount due on any invoice) must be commenced within 12 months from the date of the breach without regard to the date breach is discovered.
- 6. LIMITATION OF LIABILITY.** UPON NOTIFICATION, SELLER WILL, AT ITS OPTION, REPAIR OR REPLACE A DEFECTIVE PRODUCT, OR REFUND THE PURCHASE PRICE. **IN NO EVENT SHALL SELLER BE LIABLE TO BUYER FOR ANY SPECIAL, INDIRECT, INCIDENTAL OR CONSEQUENTIAL DAMAGES ARISING OUT OF, OR AS THE RESULT OF, THE SALE, DELIVERY, NON-DELIVERY, SERVICING, USE OR LOSS OF USE OF THE PRODUCTS OR ANY PART THEREOF, OR FOR ANY CHARGES OR EXPENSES OF ANY NATURE INCURRED WITHOUT SELLER'S WRITTEN CONSENT, EVEN IF SELLER HAS BEEN NEGLIGENT, WHETHER IN CONTRACT, TORT OR OTHER LEGAL THEORY. IN NO EVENT SHALL SELLER'S LIABILITY UNDER ANY CLAIM MADE BY BUYER EXCEED THE PURCHASE PRICE OF THE PRODUCTS.**
- 7. User Responsibility.** The user, through its own analysis and testing, is solely responsible for making the final selection of the system and Product and assuring that all performance, endurance, maintenance, safety and warning requirements of the application are met. The user must analyze all aspects of the application and follow applicable industry standards and Product information. If Seller provides Product or system options, the user is responsible for determining that such data and specifications are suitable and sufficient for all applications and reasonably foreseeable uses of the Products or systems.
- 8. Loss to Buyer's Property.** Any designs, tools, patterns, materials, drawings, confidential information or equipment furnished by Buyer or any other items which become Buyer's property, may be considered obsolete and may be destroyed by Seller after two consecutive years have elapsed without Buyer ordering the items manufactured using such property. Seller shall not be responsible for any loss or damage to such property while it is in Seller's possession or control.
- 9. Special Tooling.** A tooling charge may be imposed for any special tooling, including without limitation, dies, fixtures, molds and patterns, acquired to manufacture Products. Such special tooling shall be and remain Seller's property notwithstanding payment of any charges by Buyer. In no event will Buyer acquire any interest in apparatus belonging to Seller which is utilized in the manufacture of the Products, even if such apparatus has been specially converted or adapted for such manufacture and notwithstanding any charges paid by Buyer. Unless otherwise agreed, Seller shall have the right to alter, discard or otherwise dispose of any special tooling or other property in its sole discretion at any time.
- 10. Buyer's Obligation; Rights of Seller.** To secure payment of all sums due or otherwise, Seller shall retain a security interest in the goods delivered and this agreement shall be deemed a Security Agreement under the Uniform Commercial Code. Buyer authorizes Seller as its attorney to execute and file on Buyer's behalf all documents Seller deems necessary to perfect its security interest.
- 11. Improper use and Indemnity.** Buyer shall indemnify, defend, and hold Seller harmless from any claim, liability, damages, lawsuits, and costs (including attorney fees), whether for personal injury, property damage, patent, trademark or copyright

infringement or any other claim, brought by or incurred by Buyer, Buyer's employees, or any other person, arising out of: (a) improper selection, improper application or other misuse of Products purchased by Buyer from Seller; (b) any act or omission, negligent or otherwise, of Buyer; (c) Seller's use of patterns, plans, drawings, or specifications furnished by Buyer to manufacture Product; or (d) Buyer's failure to comply with these terms and conditions. Seller shall not indemnify Buyer under any circumstance except as otherwise provided.

- 12. Cancellations and Changes.** Orders shall not be subject to cancellation or change by Buyer for any reason, except with Seller's written consent and upon terms that will indemnify, defend and hold Seller harmless against all direct, incidental and consequential loss or damage. Seller may change product features, specifications, designs and availability with notice to Buyer.
- 13. Limitation on Assignment.** Buyer may not assign its rights or obligations under this agreement without the prior written consent of Seller.
- 14. Force Majeure.** Seller does not assume the risk and shall not be liable for delay or failure to perform any of Seller's obligations by reason of circumstances beyond the reasonable control of Seller (hereinafter "Events of Force Majeure") Events of Force Majeure shall include without limitation: accidents, strikes or labor disputes, acts of any government or government agency, acts of nature, delays or failures in delivery from carriers or suppliers, shortages of materials, or any other cause beyond Seller's reasonable control.
- 15. Waiver and Severability.** Failure to enforce any provision of this agreement will not waive that provision nor will any such failure prejudice Seller's right to enforce that provision in the future. Invalidation of any provision of this agreement by legislation or other rule of law shall not invalidate any other provision herein. The remaining provisions of this agreement will remain in full force and effect.
- 16. Termination.** Seller may terminate this agreement for any reason and at any time by giving Buyer thirty (30) days written notice of termination. Seller may immediately terminate this agreement, in writing, if Buyer: (a) commits a breach of any provision of this agreement (b) appoints a trustee, receiver or custodian for all or any part of Buyer's property (c) files a petition for relief in bankruptcy on its own behalf, or by a third party (d) makes an assignment for the benefit of creditors, or (e) the dissolves or liquidates all or a majority of its assets.
- 17. Governing Law.** This agreement and the sale and delivery of all Products hereunder shall be deemed to have taken place in and shall be governed and construed in accordance with the laws of the State of Ohio, as applicable to contracts executed and wholly performed therein and without regard to conflicts of laws principles. Buyer irrevocably agrees and consents to the exclusive jurisdiction and venue of the courts of Cuyahoga County, Ohio with respect to any dispute, controversy or claim arising out of or relating to this agreement.
- 18. Indemnity for Infringement of Intellectual Property Rights.** Seller shall have no liability for infringement of any patents, trademarks, copyrights, trade dress, trade secrets or similar rights except as provided in this Section. Seller will defend and indemnify Buyer against allegations of infringement of U.S. patents, U.S. trademarks, copyrights, trade dress and trade secrets ("Intellectual Property Rights"). Seller will defend at its expense and will pay the cost of any settlement or damages awarded in an action brought against Buyer based on an allegation that a Product sold pursuant to this Agreement infringes the Intellectual Property Rights of a third party. Seller's obligation to defend and indemnify Buyer is contingent on Buyer notifying Seller within ten (10) days after Buyer becomes aware of such allegations of infringement, and Seller having sole control over the defense of any allegations or actions including all negotiations for settlement or compromise. If a Product is subject to a claim that it infringes the Intellectual Property Rights of a third party, Seller may, at its sole expense and option, procure for Buyer the right to continue using the Product, replace or modify the Product so as to make it noninfringing, or offer to accept return of the Product and return the purchase price less a reasonable allowance for depreciation. Notwithstanding the foregoing, Seller shall have no liability for claims of infringement based on information provided by Buyer, or directed to Products delivered hereunder for which the designs are specified in whole or part by Buyer, or infringements resulting from the modification, combination or use in a system of any Product sold hereunder. The foregoing provisions of this Section shall constitute Seller's sole and exclusive liability and Buyer's sole and exclusive remedy for infringement of Intellectual Property Rights.
- 19. Entire Agreement.** This agreement contains the entire agreement between the Buyer and Seller and constitutes the final, complete and exclusive expression of the terms of sale. All prior or contemporaneous written or oral agreements or negotiations with respect to the subject matter are herein merged.
- 20. Compliance with Law, U. K. Bribery Act and U.S. Foreign Corrupt Practices Act.** Buyer agrees to comply with all applicable laws and regulations, including both those of the United Kingdom and the United States of America, and of the country or countries of the Territory in which the Buyer may operate, including without limitation the U. K. Bribery Act, the U.S. Foreign Corrupt Practices Act ("FCPA") and the U.S. Anti-Kickback Act (the "Anti-Kickback Act"), and agrees to indemnify and hold harmless Seller from the consequences of any violation of such provisions by Buyer, its employees or agents. Buyer acknowledges that they are familiar with the provisions of the U. K. Bribery Act, the FCPA and the Anti-Kickback Act, and certifies that Buyer will adhere to the requirements thereof. In particular, Buyer represents and agrees that Buyer shall not make any payment or give anything of value, directly or indirectly to any governmental official, any foreign political party or official thereof, any candidate for foreign political office, or any commercial entity or person, for the purpose of influencing such person to purchase products or otherwise benefit the business of Seller.

02/12