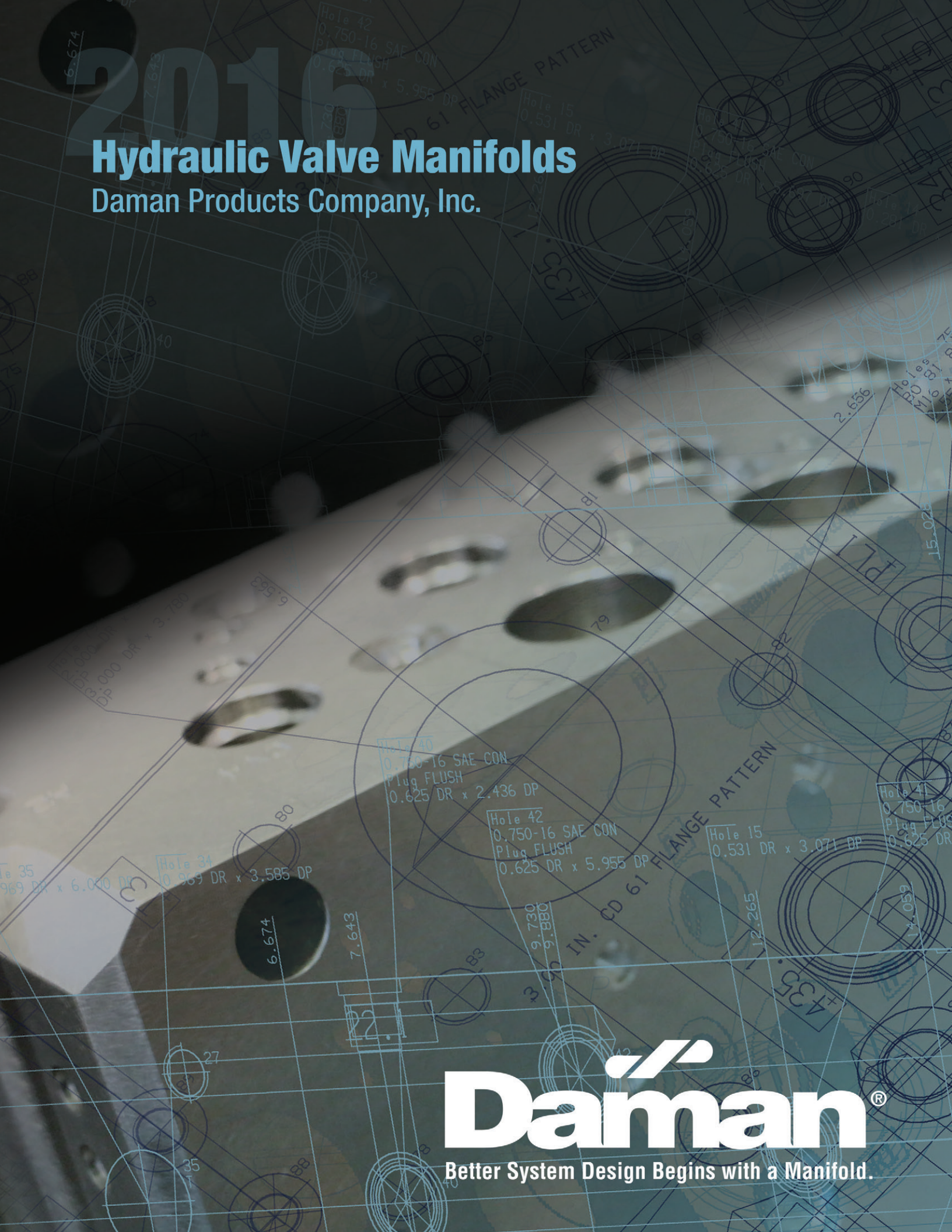


2016

Hydraulic Valve Manifolds

Daman Products Company, Inc.



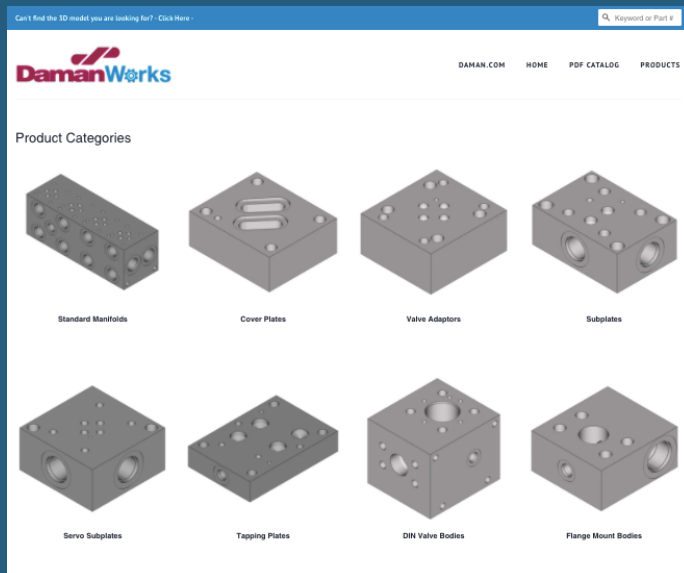
Daman®

Better System Design Begins with a Manifold.

No Software
Download
Required!

INSTANT ONLINE ACCESS TO LIVE INVENTORY, CAD FILES, AND PRODUCT CUT SHEETS

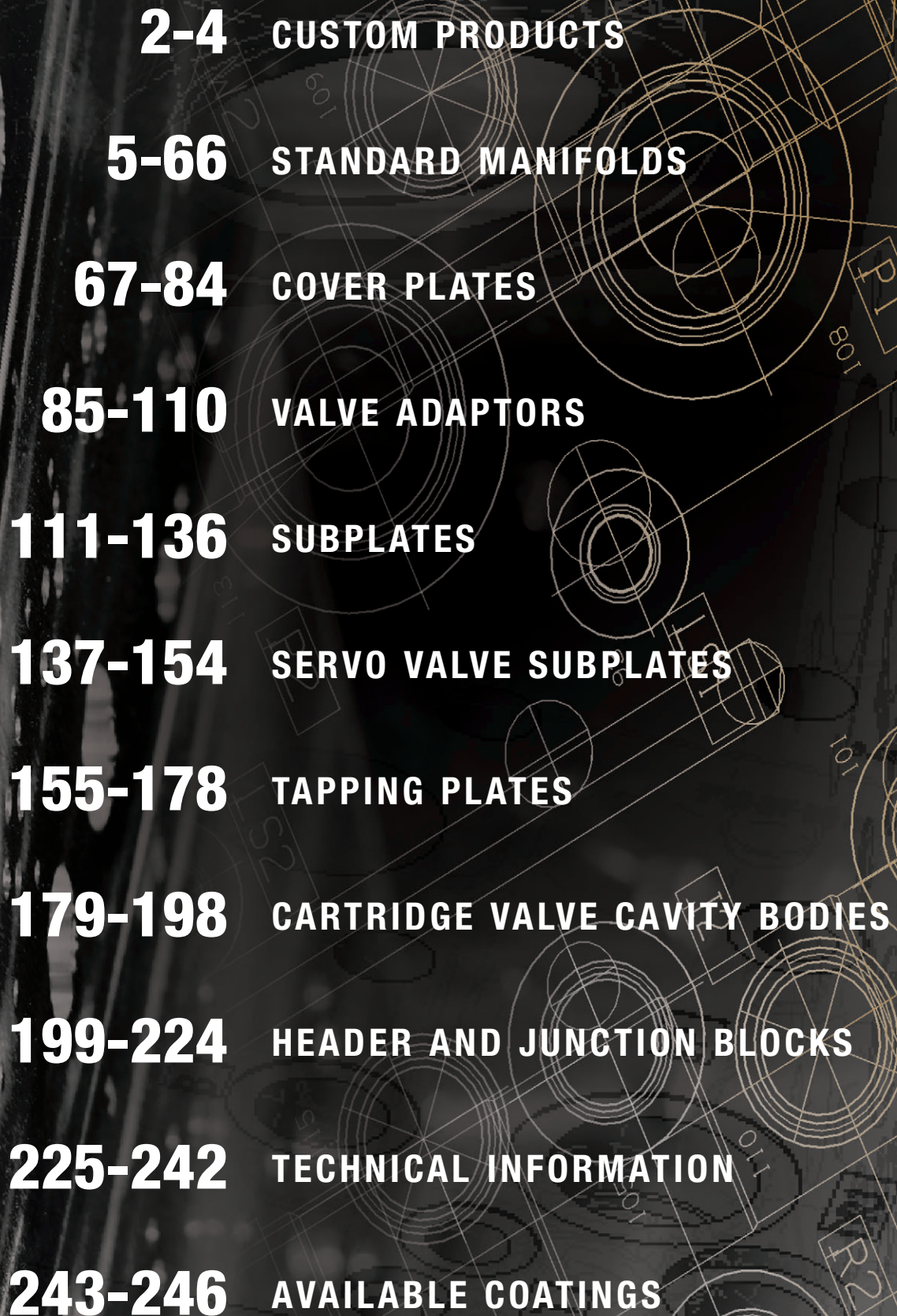
- Live inventory updated twice daily
- Access product description, image, availability, & price for thousands of Daman standard parts
- Downloadable catalog cut sheets and CAD files in both 3D STEP & DXF formats
- Search and filter by availability, popularity, material, price, part number, & product description



SEARCH & FILTER BY:

- AVAILABILITY
- POPULARITY
- MATERIAL
- PRICE
- PART NUMBER
- PRODUCT DESCRIPTION

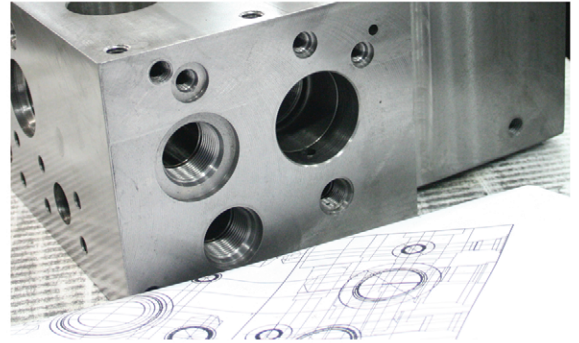
VISIT PRODUCTS.DAMAN.COM TO GET STARTED!

- 
- 2-4** CUSTOM PRODUCTS
- 5-66** STANDARD MANIFOLDS
- 67-84** COVER PLATES
- 85-110** VALVE ADAPTORS
- 111-136** SUBPLATES
- 137-154** SERVO VALVE SUBPLATES
- 155-178** TAPPING PLATES
- 179-198** CARTRIDGE VALVE CAVITY BODIES
- 199-224** HEADER AND JUNCTION BLOCKS
- 225-242** TECHNICAL INFORMATION
- 243-246** AVAILABLE COATINGS

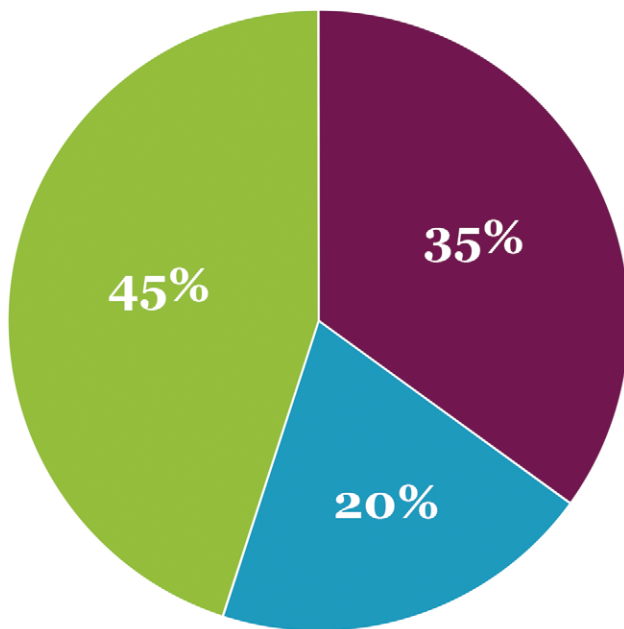
DEMAND DAMAN




EXPERIENCE THE DIFFERENCE

Our team is an extension of your team. Provide your custom concepts in any form, from a freehand schematic to a fully-engineered design. We will support your needs to efficiently manufacture a new custom manifold in as little as four weeks (varies based on demand). Repetitive, low-volume custom manifolds can be shipped within 24 hours by utilizing Daman's Trigger System (see inside back cover for more Trigger details).



DAMAN'S PRODUCT MIX



-  Custom Manifolds in our Trigger program
-  Custom Manifolds built to order
-  Standard Manifolds

Daman[®]

1811 North Home Street - Mishawaka, Indiana 46545-7267 USA
North America: 800.959.7841 · Fax: 800.241.7664
International: Tel: +1.574.259.7841 · Fax: +1.574.259.7665
Email: sales@daman.com · Web: www.daman.com

SUBMIT YOUR CUSTOM MANIFOLD RFQ TODAY!

RFQ Details – Required

- Hydraulic circuit diagram
- BOM list of valve part numbers used
- Port sizes
- Port type (SAE, NPTF, flange, metric, etc.)
- Material type (aluminum, ductile, iron, etc.)

RFQ Details – Optional

- Specific layout requirements (valve or port locations, etc.)
- Surface coating requirements
- Anticipated annual usage

Visit Daman.com to download our RFQ Checklist and expedite the quoting process.

DRIVING EXCEPTIONAL PERFORMANCE

Let our Daman team take care of your needs for the entire Custom Manifold process including: manufacturing, circuit diagrams, cost quotations, manifold design, troubleshooting, sales and technical support.

CUSTOM MANIFOLD CAPABILITIES

- Daman has manufactured Custom Manifolds since 1976
- 75,000 sq. ft. facility with 50,000 sq. ft. dedicated to manufacturing
- 65% of Daman's capacity is devoted to Custom Manifolds
- Custom Manifold quotations processed in 24 hours or less for most projects
- Large manifolds up to 4000 lbs.
- Maximum envelope size: 40" x 40" x 67"
- Ability to machine stainless steel, carbon steel, ductile iron and various grades of aluminum
- More than 145 Custom Manifold quotations processed every week
- 41% of Custom Manifold quotations are converted to orders
- 99.87% manufacturing accuracy rating
- 98.60% design accuracy rating
- 99.55% on-time delivery rating
- 10 full-time designer and support staff with over 250 years of combined project design and sales support experience
- State-of-the-art design capabilities using manifold-specific software
- Award-winning industry recognition for our world-class cellular manufacturing practices using Lean processes
- 16 CNC Machining Centers
- Over \$320,000 invested in dedicated tooling and inspection equipment
- \$750K Ultrasonic Wash investment
- Inventory of more than 700 cartridge cavity tools for all major valve manufacturers





Daman Bar Manifold Selection Guide

Here is a comparison chart of all Daman Bar Manifold options.

Contact us to learn more:

800.959.7841

info@daman.com

FEATURES	STANDARD FLOW	HIGH FLOW	STANDARD FLOW BOTTOM PORTED	HIGH FLOW BOTTOM PORTED	D05J EXTRA HIGH FLOW	STANDARD FLOW FLANGE PORTED	HIGH FLOW FLANGE PORTED	FLEX MOUNT
Traditional layout	●	●			●	●	●	
Traditional size ports	●		●	●		●		●
Foot bracket mounting	●	●			●	●	●	●
Higher flow ports		●		●	●		●	
Tapped hole mounting on bottom			●	●				
Test ports: all A&B			●	●				
Bottom ports			●	●				
Diagnostics ports			●	●				
Panel mounting			●	●				
Extra high flow: reduced delta P thru D05 valve pattern					●			
4-bolt flange ports						●	●	
Thru bolt mounting								●
Flexible mounting								●
Vertical mounting								●

STANDARD MANIFOLDS

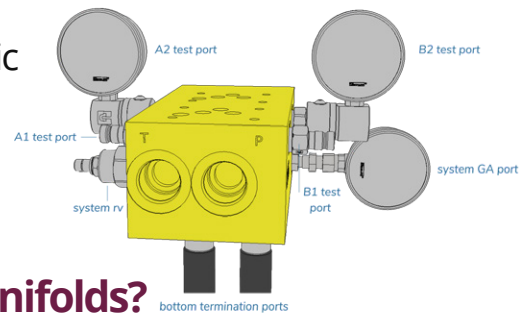
Subplate Mtd.Valve Cross Reference	Page 7
D02 Parallel Manifolds	Pages 8-9
D02 Series Manifolds	Pages 10-11
D03 Std. Flow Parallel Manifolds	Pages 12-13
D03 Std. Flow Bottom Ported Manifolds	Page 14
D03 Tank Line Feed Circuit Manifolds	Page 15
D03 High Flow Parallel Manifolds	Pages 16-17
D03 High Flow Flange Ported Manifolds	Pages 18-19
D03 High Flow Bottom Ported Manifolds	Page 20
D03 Series Manifolds	Pages 22-23
D05 Std. Flow Parallel Manifolds	Pages 24-25
D05 Std. Flow Bottom Ported Manifolds	Page 26
D05 Tank Line Feed Circuit Manifolds	Page 27
D05 High Flow Parallel Manifolds	Pages 28-29
D05 High Flow Flange Ported Manifolds	Pages 30-31
D05 High Flow Bottom Ported Manifolds	Pages 32-33
D05J Extra High Flow Parallel Manifolds	Pages 34-35
D05 Std. Flow Series Manifolds	Pages 36-37
D05 High Flow Series Manifolds	Pages 38-39
D07 Std. Flow Parallel Manifolds	Pages 40-41
D07 High Flow Parallel Manifolds	Pages 42-43
D07 High Flow Flange Ported Manifolds	Pages 44-45
D07 Series Manifolds	Page 46
D08 Std. Flow Parallel Manifolds	Pages 48-49
D08 High Flow Parallel Manifolds	Pages 50-51
D08 High Flow Flange Ported Manifolds	Pages 52-53
D08 Series Manifolds	Page 54
D10 Std. Flow Flange Ported Manifolds	Pages 56-57
D03/D05 FlexMount Manifolds	Pages 58-62
Mounting Bracket Riser Blocks	Page 63
Mounting Hardware	Pages 64-65



BOTTOM-PORTED DIAGNOSTIC MANIFOLDS

Quick-connect your diagnostics anytime without disrupting your system.

In the automotive industry, bottom-ported diagnostic manifolds are commonly used on machine tools to panel mount the manifold and hide all work port terminations inside the machine or panel.



Why choose bottom-ported diagnostic manifolds?

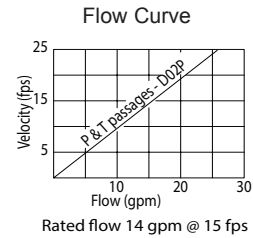
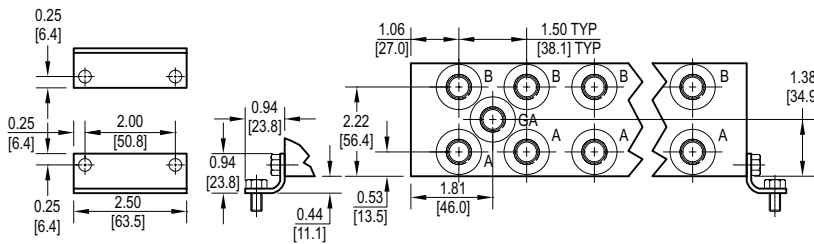
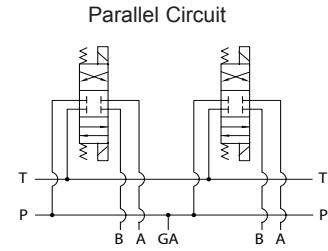
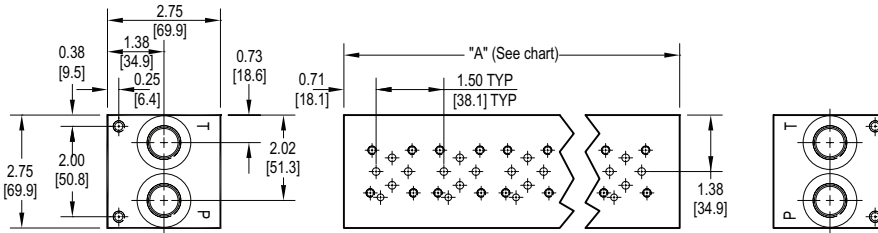
- Test ports on every valve station A & B allow for easy connection to diagnostics data on actuator extend and retract functions.
- P & T ports can be plumbed from either end of the manifold or from the bottom (side opposite valves).
- System relief valve cavity has been added to all D03 and D05 manifold options.
- A & B ports are located on the side opposite valves.
- Standard flow and high flow manifolds are available.
- System gauge port is included.

CONTACT US AT INFO@DAMAN.COM TO LEARN MORE

Subplate Mtd. Valve Cross Reference

Daman / NFPA pattern no.	ISO no.	Bosch	CEI	Continental	Denison	Nachi	Northman	Parker	Rexroth	Rivett	Vickers	Cover Plates
D02	4401-02-01	--	--	--	--	--	--	--	--	--	DG4V-2	Valve Adaptors
D03	4401-03-02	FD4-**HS-*01	--	V*D03M E*03M V*5M	A-3D01 A4D01 4DPD01	SA-G01 SS-G01 DMA-G01	G02	D1VW	WE6	6***-D03	(K)DG4V-3	Subplates
D05	4401-05-04	FD4-D*Ks-*02	VS-52	ED05M V*12M	A-3D02 A4D02 4DPD02	SS-G03 DMA-G03	G03	D3W	WE10	6***-D05	DG4S*-01 DG4V-4 (K)DG4V-5	Servo Valve Subplates
D05 Alt. A (D05HE)	4401-05-05	--	--	--	--	--	--	D31DW	WEH10	--	(K)DG3V-5 (K)DG5V-5	Tapping Plates
D05 Alt. B (D05H)	--	FD4-**HS-*02	--	--	--	--	--	D31W D31VW	--	6***-D05H	DG5S4-02	Cartridge Valve Bodies
D06	--	FD4-**HS-*04	VS-63	--	--	--	--	--	--	--	DG4S4-02 (obsolete)	Header and Junction Blocks
D07	4401-07-06	081WV16P1	--	--	A-3D03 A4D03 4DPD03	DSS-G04	G04	--	WEH16	--	DG5S4-04 (K)DG3V-7 (K)DG5V-7	Sandwich Modules
D08	4401-08-07	FD4-**HS-*06	VS-86	V*D08M ED08M *VS50M	A-3D06 A4D06 4DPD06	DSS-G06 HF(S)-G06	G06	D61VW	WEH22	6***-D08 6***-D08H	DG5S-(H)8 (K)DG3V-8 (K)DG5V-8	Technical Information
D10	4401-10-08	FD4-**HS-*10	--	VSD10M V*100M*	A-3D10-35 A4D010	DSS-G10 HF(S)-G10	G10	D101VW	WEH32	--	DG5S4-10 (K)DG3V-10 (K)DG5V-10	
2F06	6263-06-05	FF2-**HS*-02*	--	F12M	2F1C02	(C)FT-G02	--	FG3PKC	2FRM10	--	F(C)G-02	
2F07	6263-07-09	FF2-**HS*-03*	--	--	2F1C03	FT-G03	--	--	2FRM16	--	F(C)G-03	
P06	6264-06-07 5781-06-07	FD2-PTHS-*03 081DV10P1	--	--	R4*03	--	--	PR*3M	S*10P DZ*10**	P48**03	R(C)G-03	
P08	6264-08-11 5781-08-10	FD2-PTHS-*06 081DV25P1	--	E*35M	R4*06	HT(S)-G06	--	PR*6M	S*20P DZ*20**	P48**06	R(C)G-06	
P10	6264-10-15 5781-10-13	FD2-PTHS-*10	--	--	R4*10	HT(S)-G10	--	PR*10M	S*30P DZ*30**	P48**10	R(C)G-10	
R06 (I06)	6264-06-09	081DV10P3	--	--	--	RI-03	--	--	DB**10	--	CG-03	
R08	6264-08-13	FE1-PB**-S06* 081DV25P3	--	--	--	RI-06	--	--	DB**20	--	--	
R10	6264-10-17	FE1-PB**-S10*	--	--	--	RI-10	--	--	DB**30	--	--	
I08 (RV08)	--	FE1-PB**-I06*	--	--	--	--	--	R6V	--	--	CG-06	
I10 (RV10)	--	FE1-PB**-I10*	--	--	--	--	--	R10M	--	--	CG-10	

D02 Parallel Circuit Manifold



All mounting hardware is supplied.
See page 64 for itemized list.

No. of stations	* 01	02	03	04	05	06	07	08	09	10
"A" length inch [mm]	2.13 [54.0]	3.63 [92.1]	5.13 [130.2]	6.63 [168.3]	8.13 [206.4]	9.63 [244.5]	11.13 [282.6]	12.63 [320.7]	14.13 [358.8]	15.63 [396.9]
apx. weight alum lb [kg]	3 [1.5]	5 [2.5]	7 [3]	8 [4]	10 [4.5]	12 [5.5]	14 [6]	16 [7]	17 [8]	19 [9]
apx. weight ferrous lb [kg]	5 [2.5]	8.5 [4]	12 [5.5]	16 [7]	19 [9]	23 [10]	26 [12]	30 [14]	33 [15]	37 [17]

Port code	Valve mtg.	Manifold mtg.
P, S	#10-24 UNC x 0.56 [14] DP	0.25-20 UNC x 0.38 [9.7] DP
B, M, T	M5 ISO 6H x 0.56 [14] DP	M6 ISO 6H x 0.38 [9.7] DP

* Length of 01 station with relief cavity is 3.13 [79.4]. Gauge port not available on 01 station.

Specifications, descriptions, and dimensional data are subject to correction or change without notice or incurring obligation. Download latest catalog page revisions at www.daman.com.

Ordering Information

For **coating options**
see pages 245-246.

Material	Valve Pattern	Circuit	No. of Stations	Valve Spacing	Port Threads	/	Options
----------	---------------	---------	-----------------	---------------	--------------	---	---------

Material	
A	Aluminum - 6061-T6 3000 [†] psi • 20.7 MPa
D	Ductile Iron - D4512 5000 [†] psi • 34.5 MPa

[†] Working pressure should be considered in accordance with ISO 4413 to determine appropriate material type.

Circuit	
P	Parallel Circuit

Valve Pattern	
D02	ISO 4401-02-01 NFPA T3.5.1-D02 See Tech Information

Valve Spacing	
1	1.50 inch 38.1 mm

No. of Stations	
Aluminum	
01...10	Available with spacing code 1
Ductile Iron	
01...10	Available with spacing code 1

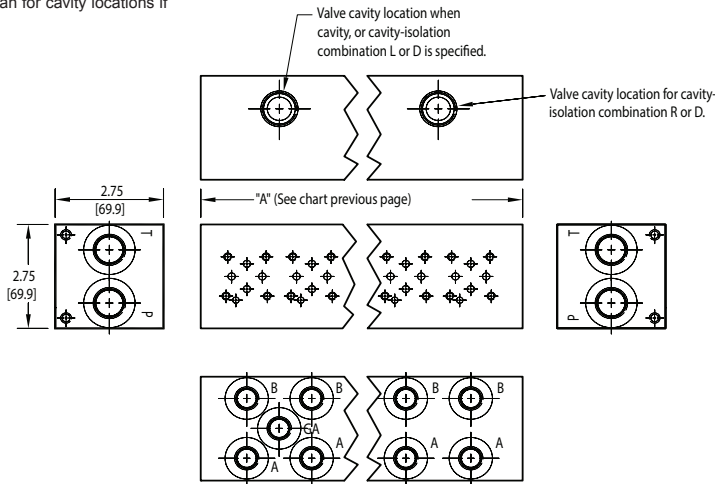
Port Threads	
P	NPTF • ANSI B1.20.3
S	SAE • ISO 11926
B	BSP • ISO 1179
M	ISO • ISO 6149
T	BSPT • ISO 7

Options	
See next page for available options and ordering codes.	

Port Threads	P & T	A & B	GA
P	0.50	0.38	0.25
S	-8	-6	-6
B	0.50	0.38	none
M	M18	M14	none
T	0.50	0.38	none

Options - D02 Parallel Manifold

Contact Daman for cavity locations if critical.



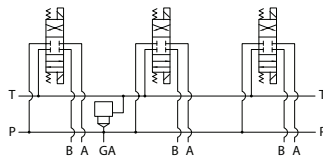
ISOLATIONS

Daman isolation options allow a manifold to have two independent pressure and/or tank ports. Isolations are drilled rather than plugged to ensure a leakproof and failproof isolation.

Ordering code letter:	* Isolation is between stations:	Available # of stations:
A	01 & 02	02-10
B	02 & 03	03-10
C	03 & 04	04-10
D	04 & 05	05-10
E	05 & 06	06-10
F	06 & 07	07-10
G	07 & 08	08-10
H	08 & 09	09-10
J	09 & 10	10

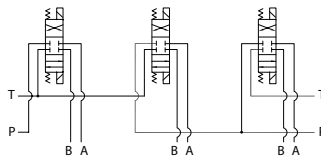
* Stations are numbered left to right.

Parallel Circuit with Cavity



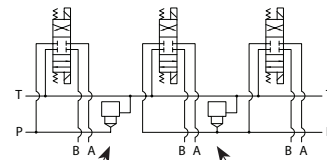
Valves with P in the nose and T out the side must be used.

Parallel Circuit with Isolations



Manifold shown with P isolation between 1 & 2 (PA), and T isolation between 2 & 3 (TB).

Cavity & Isolation Combinations



Option code L Cavity left of isolation
Option code R Cavity right of isolation
Option code D includes both cavities

NOTES:

- 1) The GA port is not available on a (1) station manifold.
- 2) The GA port is not available when a pressure isolation is located between stations 1 & 2.
- 3) Some cavity and isolation combinations are not possible. Consult factory to determine availability.

Ordering Information



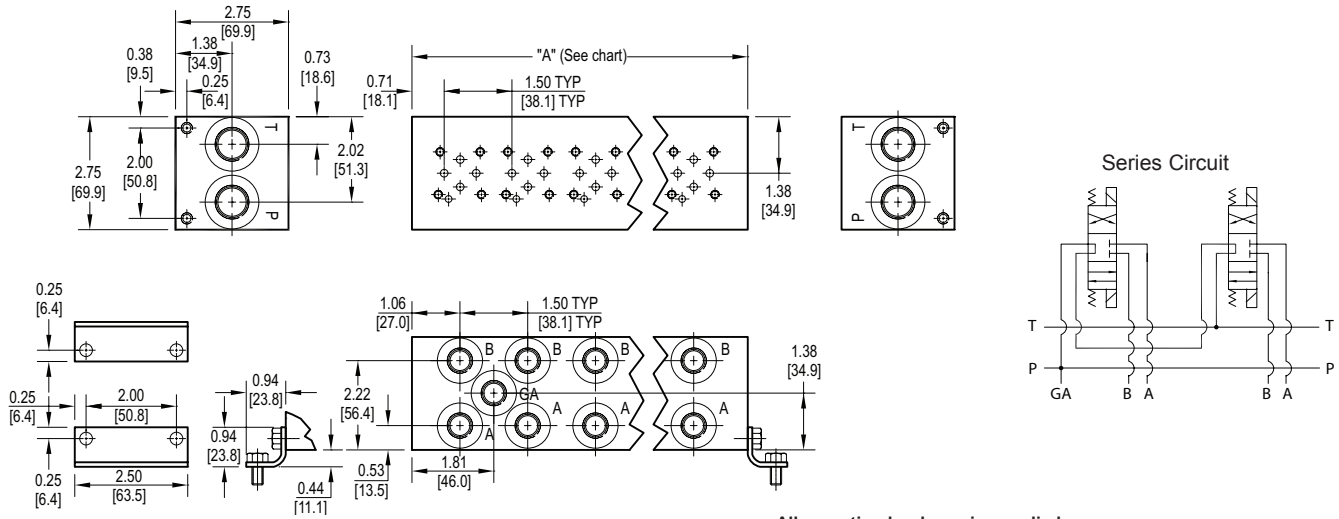
Cavity	
Omit if cavity not required.	
C	Common cavity: With solenoid clearance. C-10-2 (P in nose) For valves w/1" hex max.
S	Sun Cavity T-162A (P in nose) See Tech Info for valves.

Tank Isolation	
Omit if T isolation not required	
TA...TJ	Available with spacing code 1

Pressure Isolation	
Omit if P isolation not required	
PA...PJ	Available with spacing code 1

Cavity & Isolation Combinations	
Specify when using a combination of cavity and isolation options. Cavities do have solenoid clearance.	
L	Cavity is located left of the isolation.
R	Cavity is located right of the isolation.
D	Two cavities, one each side of isolation.

D02 Series Circuit Manifold



All mounting hardware is supplied.
See page 64 for itemized list.

No. of stations	02	03	04
"A" length inch [mm]	3.63 [92.1]	5.13 [130.2]	6.63 [168.3]
apx. weight alum lb [kg]	5 [2.5]	7 [3]	8 [4]
apx. weight ferrous lb [kg]	8.5 [4]	12 [6]	16 [7]

Port code	Valve mtg.	Manifold mtg.
P, S	#10-24 UNC x 0.56 [14] DP	0.25-20 UNC x 0.38 [9.7] DP
B, M, T	M5 ISO 6H x 0.56 [14] DP	M6 ISO 6H x 0.38 [9.7] DP

Note: Both Daman's parallel and series D02 manifolds have pressure and tank lines that run the length of the manifold. Consequently it is commonly assumed that an error was made by marking a parallel manifold incorrectly as a series. Upon closer inspection it can be seen that the valve patterns are indeed connected in series.

Specifications, descriptions, and dimensional data are subject to correction or change without notice or incurring obligation. Download latest catalog page revisions at www.daman.com.

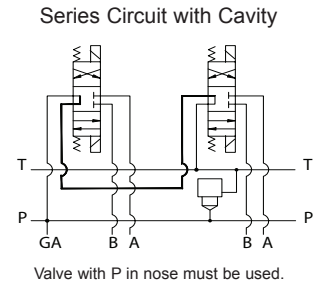
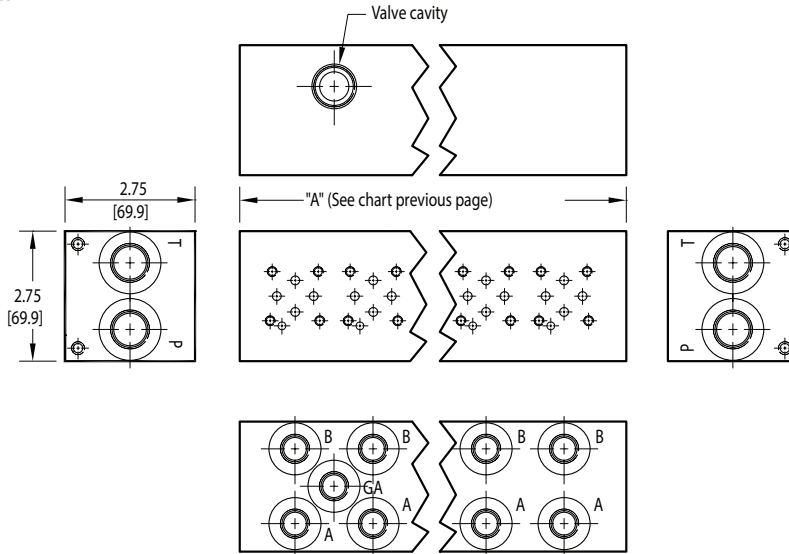
Ordering Information

For **coating options**
see pages 245-246.

Material	Valve Pattern	Circuit	No. of Stations	Valve Spacing	Port Threads	/	Options																																																											
<table border="1"> <thead> <tr> <th colspan="2">Material</th> </tr> </thead> <tbody> <tr> <td>A</td> <td>Aluminum - 6061-T6 3000[†] psi • 20.7 MPa</td> </tr> <tr> <td>D</td> <td>Ductile Iron - D4512 5000[†] psi • 34.5 MPa</td> </tr> <tr> <td colspan="2">[†] Working pressure should be considered in accordance with ISO 4413 to determine appropriate material type.</td> </tr> </tbody> </table>	Material		A	Aluminum - 6061-T6 3000 [†] psi • 20.7 MPa	D	Ductile Iron - D4512 5000 [†] psi • 34.5 MPa	[†] Working pressure should be considered in accordance with ISO 4413 to determine appropriate material type.			<table border="1"> <thead> <tr> <th colspan="2">Circuit</th> </tr> </thead> <tbody> <tr> <td>S</td> <td>Series Circuit</td> </tr> </tbody> </table>	Circuit		S	Series Circuit	<table border="1"> <thead> <tr> <th colspan="2">No. of Stations</th> </tr> </thead> <tbody> <tr> <td colspan="2">Aluminum</td> </tr> <tr> <td>02...04</td> <td>Available with spacing code 1</td> </tr> <tr> <td colspan="2">Ductile Iron</td> </tr> <tr> <td>02...04</td> <td>Available with spacing code 1</td> </tr> </tbody> </table>	No. of Stations		Aluminum		02...04	Available with spacing code 1	Ductile Iron		02...04	Available with spacing code 1	<table border="1"> <thead> <tr> <th colspan="2">Valve Spacing</th> </tr> </thead> <tbody> <tr> <td>1</td> <td>1.50 inch 38.1 mm</td> </tr> </tbody> </table>	Valve Spacing		1	1.50 inch 38.1 mm	<table border="1"> <thead> <tr> <th colspan="2">Port Threads</th> <th>P & T</th> <th>A & B</th> <th>GA</th> </tr> </thead> <tbody> <tr> <td>P</td> <td>NPTF • ANSI B1.20.3</td> <td>0.50</td> <td>0.38</td> <td>0.25</td> </tr> <tr> <td>S</td> <td>SAE • ISO 11926</td> <td>-8</td> <td>-6</td> <td>-6</td> </tr> <tr> <td>B</td> <td>BSPP • ISO 1179</td> <td>0.50</td> <td>0.38</td> <td>none</td> </tr> <tr> <td>M</td> <td>ISO • ISO 6149</td> <td>M18</td> <td>M14</td> <td>none</td> </tr> <tr> <td>T</td> <td>BSPT • ISO 7</td> <td>0.50</td> <td>0.38</td> <td>none</td> </tr> </tbody> </table>	Port Threads		P & T	A & B	GA	P	NPTF • ANSI B1.20.3	0.50	0.38	0.25	S	SAE • ISO 11926	-8	-6	-6	B	BSPP • ISO 1179	0.50	0.38	none	M	ISO • ISO 6149	M18	M14	none	T	BSPT • ISO 7	0.50	0.38	none	<table border="1"> <thead> <tr> <th colspan="2">Options</th> </tr> </thead> <tbody> <tr> <td colspan="2">See next page for available options and ordering codes.</td> </tr> </tbody> </table>	Options		See next page for available options and ordering codes.	
Material																																																																		
A	Aluminum - 6061-T6 3000 [†] psi • 20.7 MPa																																																																	
D	Ductile Iron - D4512 5000 [†] psi • 34.5 MPa																																																																	
[†] Working pressure should be considered in accordance with ISO 4413 to determine appropriate material type.																																																																		
Circuit																																																																		
S	Series Circuit																																																																	
No. of Stations																																																																		
Aluminum																																																																		
02...04	Available with spacing code 1																																																																	
Ductile Iron																																																																		
02...04	Available with spacing code 1																																																																	
Valve Spacing																																																																		
1	1.50 inch 38.1 mm																																																																	
Port Threads		P & T	A & B	GA																																																														
P	NPTF • ANSI B1.20.3	0.50	0.38	0.25																																																														
S	SAE • ISO 11926	-8	-6	-6																																																														
B	BSPP • ISO 1179	0.50	0.38	none																																																														
M	ISO • ISO 6149	M18	M14	none																																																														
T	BSPT • ISO 7	0.50	0.38	none																																																														
Options																																																																		
See next page for available options and ordering codes.																																																																		

Options - D02 Series Manifold

Contact Daman for cavity locations if critical.

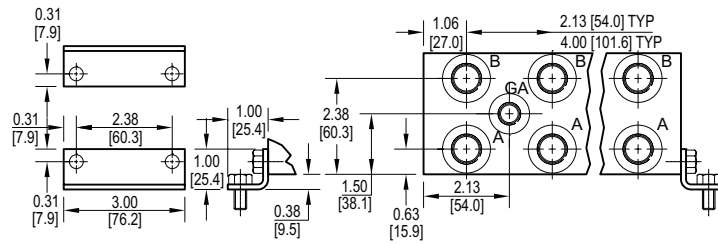
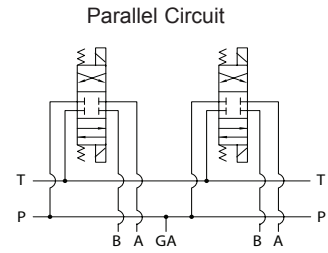
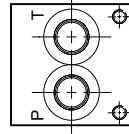
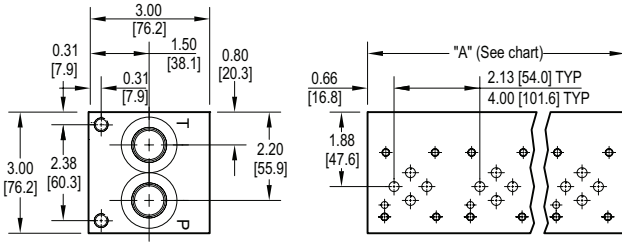


Ordering Information

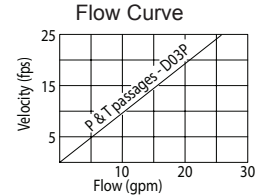


Cavity	
Omit if cavity not required.	
C	Common cavity: With solenoid clearance. C-10-2 (P in nose) For valves w/1" hex max.
S	Sun Cavity T-162A (P in nose) See Tech Info for valves.

D03 Standard Flow Parallel Circuit Manifold



All mounting hardware is supplied, except for stainless. See page 64 for itemized list.



No. of stations	* 01	02	03	04	05	06	07	08	09	10	11	12	13	14	15	16	17	18	19	20
"A" length (code 2 spa.) inch [mm]	2.13 [54.0]	4.25 [108.0]	6.38 [162.1]	8.50 [215.9]	10.63 [270.0]	12.75 [323.9]	14.88 [378.0]	17.00 [431.8]	19.13 [485.9]	21.25 [539.8]	23.38 [593.9]	25.50 [647.7]	27.63 [701.8]	29.75 [755.7]	31.88 [809.8]	34.00 [863.6]	36.13 [917.6]	38.25 [971.6]	40.38 [1025.5]	42.50 [1079.5]
apx. weight alum lb [kg]	3 [1]	4 [2]	6 [3]	8 [4]	9 [4]	11 [5]	12 [5]	14 [6]	16 [7]	18 [8]	20 [9]	21 [10]	22 [10]	24 [11]	26 [12]	27 [12]	29 [13]	31 [14]	32 [15]	34 [15]
apx. weight ferrous lb [kg]	5 [2]	9 [4]	13 [6]	17 [8]	21 [10]	26 [12]	30 [14]	34 [15]	38 [17]	42 [19]	47 [21]	51 [23]	55 [25]	59 [27]	63 [29]	68 [31]	--	--	--	--
"A" length (code 4 spa.) inch [mm]	--	6.13 [155.7]	10.13 [257.3]	14.13 [358.9]	18.13 [460.5]	22.13 [562.1]	26.13 [663.7]	30.13 [765.3]	34.13 [866.9]	38.13 [968.5]	42.13 [1070.1]	46.13 [1171.7]	50.13 [1273.3]	54.13 [1374.9]	58.13 [1476.5]	62.13 [1578.1]	Specifications, descriptions, and dimensional data are subject to correction or change without notice or incurring obligation. Download latest catalog page revisions at www.daman.com .			
apx. weight alum lb [kg]	--	6 [3]	9 [4]	12 [5]	15 [7]	19 [9]	22 [10]	25 [11]	29 [13]	32 [15]	36 [16]	39 [18]	42 [19]	46 [21]	49 [22]	53 [24]				
apx. weight ferrous lb [kg]	--	12 [5]	20 [9]	28 [13]	36 [16]	45 [20]	53 [24]	61 [28]	69 [31]	77 [35]	85 [39]	93 [42]	102 [46]	110 [50]	118 [54]	126 [57]				

* Length of 01 station with relief cavity is 3.00 [76.2]. Gauge port not available on 01 station.

Port code	Valve mtg.	Manifold mtg.
P, S	#10-24 UNC x 0.63 [16] DP	0.31-18 UNC x 0.44 [11.1] DP
B, M, T	M5 ISO 6H x 0.63 [16] DP	M8 ISO 6H x 0.44 [11.1] DP

For coating options see pages 245-246.

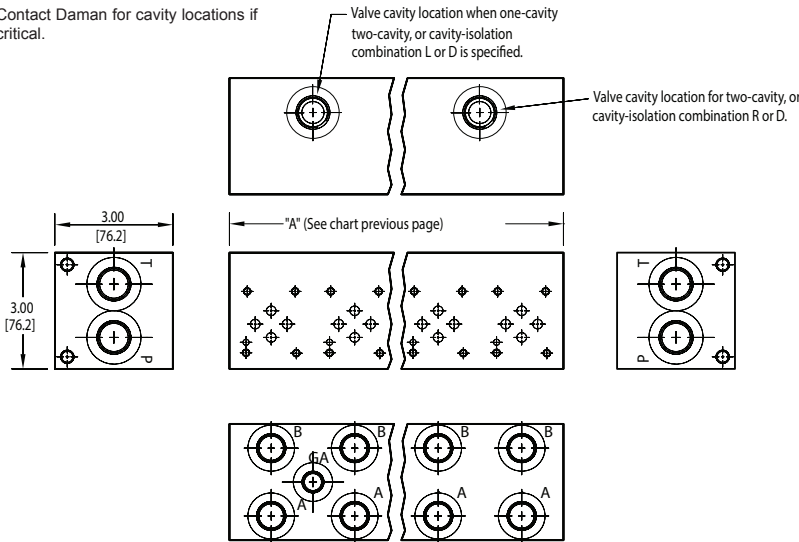
Ordering Information

Material	Valve Pattern	Circuit	No. of Stations	Valve Spacing	Port Threads	Options																																																																										
<table border="1" style="width: 100%;"> <thead> <tr> <th colspan="2">Material</th> </tr> </thead> <tbody> <tr> <td>A</td> <td>Aluminum - 6061-T6 3000† psi • 20.7 MPa</td> </tr> <tr> <td>D</td> <td>Ductile Iron - D4512 5000† psi • 34.5 MPa</td> </tr> <tr> <td>S*</td> <td>Stainless Steel - 17-4 5000† psi • 34.5 MPa</td> </tr> </tbody> </table> <p>† Working pressure should be considered in accordance with ISO 4413 to determine appropriate material type.</p> <p>*All stainless steel products are passivated.</p>	Material		A	Aluminum - 6061-T6 3000† psi • 20.7 MPa	D	Ductile Iron - D4512 5000† psi • 34.5 MPa	S*	Stainless Steel - 17-4 5000† psi • 34.5 MPa	<table border="1" style="width: 100%;"> <thead> <tr> <th colspan="2">Valve Pattern</th> </tr> </thead> <tbody> <tr> <td>D03</td> <td>ISO 4401-03-02 NFPA T3.5.1-D03 See Tech Information</td> </tr> </tbody> </table>	Valve Pattern		D03	ISO 4401-03-02 NFPA T3.5.1-D03 See Tech Information	<table border="1" style="width: 100%;"> <thead> <tr> <th colspan="2">Circuit</th> </tr> </thead> <tbody> <tr> <td>P</td> <td>Parallel Circuit Standard Flow</td> </tr> </tbody> </table>	Circuit		P	Parallel Circuit Standard Flow	<table border="1" style="width: 100%;"> <thead> <tr> <th colspan="2">No. of Stations</th> </tr> </thead> <tbody> <tr> <td colspan="2">Aluminum</td> </tr> <tr> <td>01...20</td> <td>Available with spacing code 2</td> </tr> <tr> <td>02...16</td> <td>Available with spacing code 4</td> </tr> <tr> <td colspan="2">Ductile Iron</td> </tr> <tr> <td>01...16</td> <td>Available with spacing code 2</td> </tr> <tr> <td>02...16</td> <td>Available with spacing code 4</td> </tr> <tr> <td colspan="2">Stainless Steel</td> </tr> <tr> <td>01...09</td> <td>Available with spacing code 2</td> </tr> <tr> <td>02...05</td> <td>Available with spacing code 4</td> </tr> </tbody> </table>	No. of Stations		Aluminum		01...20	Available with spacing code 2	02...16	Available with spacing code 4	Ductile Iron		01...16	Available with spacing code 2	02...16	Available with spacing code 4	Stainless Steel		01...09	Available with spacing code 2	02...05	Available with spacing code 4	<table border="1" style="width: 100%;"> <thead> <tr> <th colspan="2">Valve Spacing</th> </tr> </thead> <tbody> <tr> <td>2</td> <td>2.13 inch 54.0 mm</td> </tr> <tr> <td>4</td> <td>4.00 inch 101.6 mm</td> </tr> </tbody> </table>	Valve Spacing		2	2.13 inch 54.0 mm	4	4.00 inch 101.6 mm	<table border="1" style="width: 100%;"> <thead> <tr> <th colspan="4">Port Threads</th> </tr> </thead> <tbody> <tr> <th>P*</th> <th>P & T</th> <th>A & B</th> <th>GA</th> </tr> <tr> <td>S</td> <td>NPTF • ANSI B1.20.3</td> <td>0.50</td> <td>0.38</td> </tr> <tr> <td>B</td> <td>SAE • ISO 11926</td> <td>-10</td> <td>-8</td> </tr> <tr> <td>M</td> <td>BSPP • ISO 1179</td> <td>0.50</td> <td>0.38</td> </tr> <tr> <td>T*</td> <td>ISO • ISO 6149</td> <td>M22</td> <td>M18</td> </tr> <tr> <td></td> <td>BSPT • ISO 7</td> <td>0.50</td> <td>0.38</td> </tr> </tbody> </table>	Port Threads				P*	P & T	A & B	GA	S	NPTF • ANSI B1.20.3	0.50	0.38	B	SAE • ISO 11926	-10	-8	M	BSPP • ISO 1179	0.50	0.38	T*	ISO • ISO 6149	M22	M18		BSPT • ISO 7	0.50	0.38	<table border="1" style="width: 100%;"> <thead> <tr> <th colspan="2">Options</th> </tr> </thead> <tbody> <tr> <td colspan="2">See next page for available options and ordering codes.</td> </tr> </tbody> </table>	Options		See next page for available options and ordering codes.	
Material																																																																																
A	Aluminum - 6061-T6 3000† psi • 20.7 MPa																																																																															
D	Ductile Iron - D4512 5000† psi • 34.5 MPa																																																																															
S*	Stainless Steel - 17-4 5000† psi • 34.5 MPa																																																																															
Valve Pattern																																																																																
D03	ISO 4401-03-02 NFPA T3.5.1-D03 See Tech Information																																																																															
Circuit																																																																																
P	Parallel Circuit Standard Flow																																																																															
No. of Stations																																																																																
Aluminum																																																																																
01...20	Available with spacing code 2																																																																															
02...16	Available with spacing code 4																																																																															
Ductile Iron																																																																																
01...16	Available with spacing code 2																																																																															
02...16	Available with spacing code 4																																																																															
Stainless Steel																																																																																
01...09	Available with spacing code 2																																																																															
02...05	Available with spacing code 4																																																																															
Valve Spacing																																																																																
2	2.13 inch 54.0 mm																																																																															
4	4.00 inch 101.6 mm																																																																															
Port Threads																																																																																
P*	P & T	A & B	GA																																																																													
S	NPTF • ANSI B1.20.3	0.50	0.38																																																																													
B	SAE • ISO 11926	-10	-8																																																																													
M	BSPP • ISO 1179	0.50	0.38																																																																													
T*	ISO • ISO 6149	M22	M18																																																																													
	BSPT • ISO 7	0.50	0.38																																																																													
Options																																																																																
See next page for available options and ordering codes.																																																																																

* Pipe ports in stainless can experience galling

Options - D03 Standard Flow Parallel Manifold

Contact Daman for cavity locations if critical.

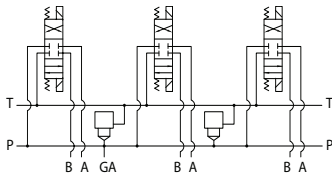


ISOLATIONS

Daman isolation options allow a manifold to have two independent pressure and/or tank ports. Isolations are drilled rather than plugged to ensure a leakproof and failproof isolation.

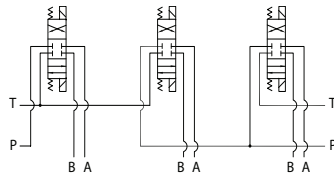
Ordering code letter:	* Isolation is between stations:	Available # of stations:
2.125 [54.0] spacing		
A	01 & 02	02-14
B	02 & 03	03-15
C	03 & 04	04-16
D	04 & 05	05-17
E	05 & 06	06-18
F	06 & 07	07-19
G	07 & 08	08-20
H	08 & 09	09-20
J	09 & 10	10-20
4.00 [101.6] spacing		
A	01 & 02	02-10
B	02 & 03	03-11
C	03 & 04	04-12
D	04 & 05	05-13
E	05 & 06	06-14
F	06 & 07	07-15
G	07 & 08	08-16

Parallel Circuit with one or two Cavities



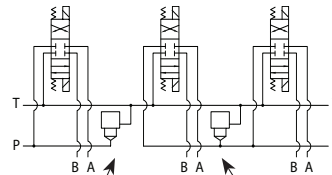
Valves with P in the nose and T out the side must be used.

Parallel Circuit with Isolations



Manifold shown with P isolation between 1 & 2 (PA), and T isolation between 2 & 3 (TB).

Cavity & Isolation Combinations



Option code L Cavity left of isolation
Option code R Cavity right of isolation
Option code D includes both cavities

* Stations are numbered left to right.

NOTES:

- 1) The GA port is not available on a (1) station manifold.
- 2) The GA port is not available when a pressure isolation is located between stations 1 & 2.
- 3) Some cavity and isolation combinations are not possible with spacing code 2. Consult factory to determine availability.

Ordering Information

...	Cavity	Pressure Isolation	Tank Isolation	Cavity & Isolation Combinations
-----	--------	--------------------	----------------	---------------------------------

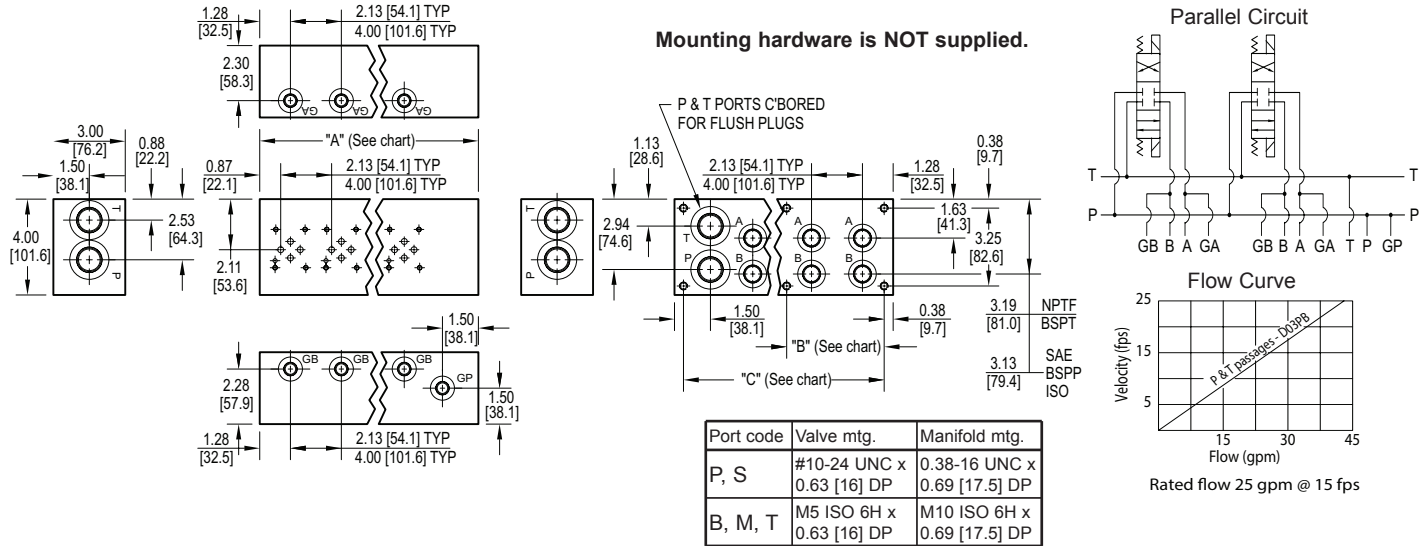
Cavity	
Omit if cavities not required	
C	One Common cavity: No solenoid clearance. C-10-2 (P in nose) For valves w/1" hex max.
CC	Two Common cavities: With solenoid clearance C-10-2 (P in nose) Available 03-20 stations with spacing code 2; Available 02-16 stations with spacing code 4. Not available in combination with isolation options.
S	One Sun Cavity: T-10A (P in nose) See Tech Info for valves.

Pressure Isolation	
Omit if P isolation not required	
PA...PJ	Available with spacing code 2
PA...PG	Available with spacing code 4

Tank Isolation	
Omit if T isolation not required	
TA...TJ	Available with spacing code 2
TA...TG	Available with spacing code 4

Cavity & Isolation Combinations	
Specify when using a combination of cavity and isolation options. Cavities do not have solenoid clearance.	
L	Cavity is located left of the isolation.
R	Cavity is located right of the isolation.
D	Two cavities, one each side of isolation. (Use with cavity option codes C or S only.)

D03 Standard Flow Bottom Ported Manifold With A & B Test Ports



No. of stations	*01	02	03	04	05	06	07	08	09	10	11	12	No. of stations	02	03	04	05	06
"A" length (code 2 spa.) inch [mm]	4.38 [111.1]	6.50 [165.1]	8.63 [219.1]	10.75 [273.1]	12.88 [327.0]	15.00 [381.0]	17.13 [435.0]	19.25 [489.0]	21.38 [542.9]	23.50 [596.9]	25.63 [650.9]	27.75 [704.9]	"A" length (code 4 spa.) inch [mm]	8.38 [212.7]	12.38 [314.3]	16.38 [415.9]	20.38 [517.5]	24.38 [619.1]
"B" dim (code 2 spa.) inch [mm]	--	--	--	--	--	--	--	8.34 [211.9]	8.34 [211.9]	10.47 [265.9]	10.47 [265.9]	12.59 [319.9]	"B" dim (code 4 spa.) inch [mm]	--	--	--	10.91 [277.0]	10.91 [277.0]
"C" dim (code 2 spa.) inch [mm]	3.63 [92.1]	5.75 [146.1]	7.88 [200.0]	10.00 [254.0]	12.13 [308.0]	14.25 [362.0]	16.38 [415.9]	18.50 [469.9]	20.63 [523.9]	22.75 [577.9]	24.88 [631.8]	27.00 [685.8]	"C" dim (code 4 spa.) inch [mm]	7.63 [193.7]	11.63 [295.3]	15.63 [396.9]	19.63 [498.5]	23.38 [600.1]
apx. weight alum lb [kg]	5 [2]	8 [4]	10 [5]	13 [6]	15 [7]	18 [8]	21 [9]	23 [10]	26 [12]	28 [13]	31 [14]	33 [15]	apx. weight alum lb [kg]	10 [5]	15 [7]	20 [9]	24 [11]	29 [13]
apx. weight ferrous lb [kg]	14 [6]	20 [9]	27 [12]	34 [15]	40 [18]	47 [21]	53 [24]	60 [27]	67 [30]	73 [33]	80 [36]	87 [39]	apx. weight ferrous lb [kg]	26 [12]	39 [18]	51 [23]	64 [29]	76 [34]

* Length of 01 station with relief cavity is 5.00 [127.0]

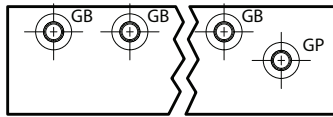
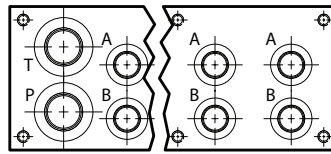
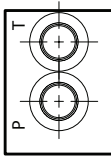
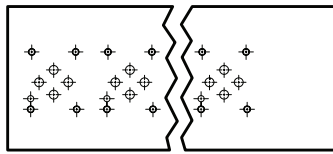
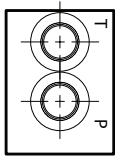
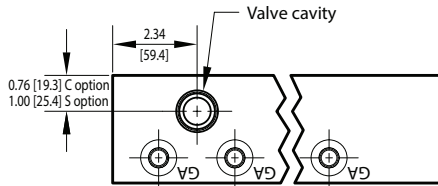
Specifications, descriptions, and dimensional data are subject to correction or change without notice or incurring obligation. Download latest catalog page revisions at www.daman.com.

For coating options see pages 245-246.

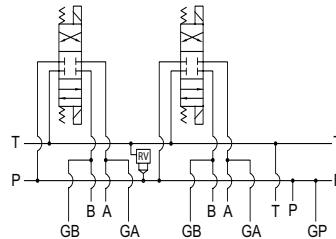
Ordering Information

Material	Valve Pattern	Circuit	No. of Stations	Valve Spacing	Port Threads	Options																													
Material A Aluminum - 6061-T6 3000† psi • 20.7 MPa D Ductile Iron - D4512 5000† psi • 34.5 MPa † Working pressure should be considered in accordance with ISO 4413 to determine appropriate material type.	Valve Pattern D03 ISO 4401-03-02 NFPA T3.5.1-D03 See Tech Information	Circuit PB Parallel Circuit Standard Flow Bottom Ported	No. of Stations Aluminum 01...12 Available with spacing code 2 02...06 Available with spacing code 4 Ductile Iron 01...12 Available with spacing code 2 02...06 Available with spacing code 4	Valve Spacing 2 2.13 inch 54.0 mm 4 4.00 inch 101.6 mm	Port Threads <table border="1"> <thead> <tr> <th></th> <th>P & T</th> <th>A & B</th> <th>G*</th> </tr> </thead> <tbody> <tr> <td>P</td> <td>NPTF • ANSI B1.20.3</td> <td>0.75</td> <td>0.50</td> <td>0.25</td> </tr> <tr> <td>S</td> <td>SAE • ISO 11926</td> <td>-12</td> <td>-8</td> <td>-4</td> </tr> <tr> <td>B</td> <td>BSPP • ISO 1179</td> <td>0.75</td> <td>0.50</td> <td>0.25</td> </tr> <tr> <td>M</td> <td>ISO • ISO 6149</td> <td>M27</td> <td>M18</td> <td>M10</td> </tr> <tr> <td>T</td> <td>BSPT • ISO 7</td> <td>0.75</td> <td>0.50</td> <td>0.25</td> </tr> </tbody> </table>		P & T	A & B	G*	P	NPTF • ANSI B1.20.3	0.75	0.50	0.25	S	SAE • ISO 11926	-12	-8	-4	B	BSPP • ISO 1179	0.75	0.50	0.25	M	ISO • ISO 6149	M27	M18	M10	T	BSPT • ISO 7	0.75	0.50	0.25	Options See next page for available options and ordering codes.
	P & T	A & B	G*																																
P	NPTF • ANSI B1.20.3	0.75	0.50	0.25																															
S	SAE • ISO 11926	-12	-8	-4																															
B	BSPP • ISO 1179	0.75	0.50	0.25																															
M	ISO • ISO 6149	M27	M18	M10																															
T	BSPT • ISO 7	0.75	0.50	0.25																															

Options - D03 Standard Flow Bottom Ported Manifold With A & B Test Ports



Parallel circuit with one cavity.



Valves with P in the nose and T out the side must be used.

Ordering Information

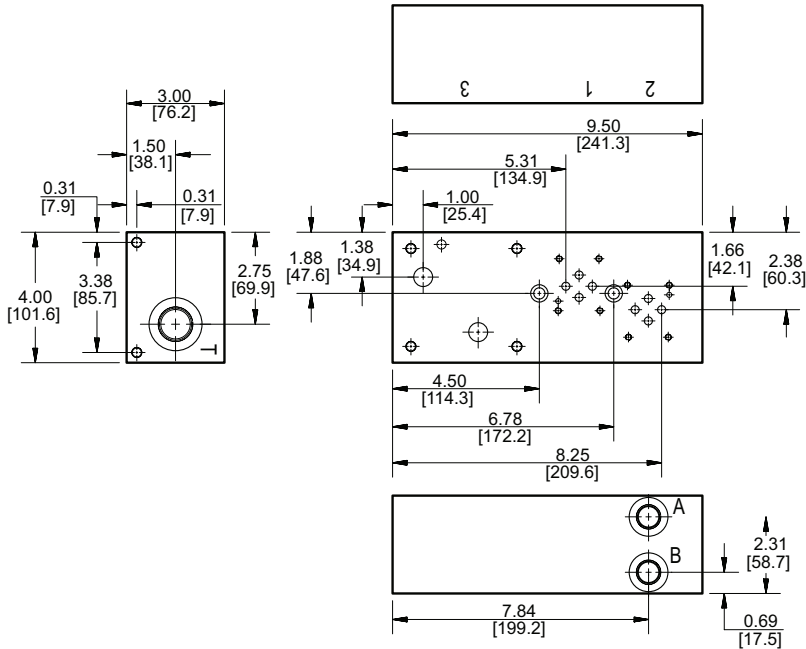


Cavity	
Omit if cavities not required	
C	One Common cavity: No solenoid clearance. C-10-2 (P in nose) For valves w/1" hex max.
S	One Sun Cavity: T-10A (P in nose) See Tech Info for valves.

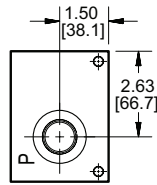
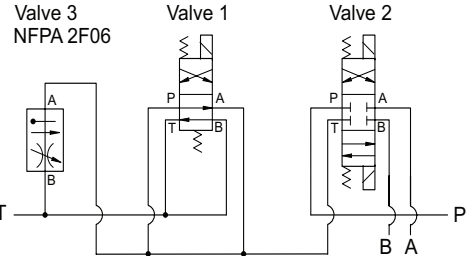
D03 Tank Line Feed Circuit Manifold

D03 Directional Valves 2F06 Flow Control Valve

Valve mtg: D03: UNC #10-24 x 0.63 DP
2F06: UNC 0.31-18 x 0.63 DP



“Meter Out” Tank Feed Circuit



Manifold Mounting:

Manifold bracket mounting kit is supplied. See page 64 for itemized mounting kit list.

Two SHCS clearance holes are provided for optional 5/16 (M8) SHCS mounting. Screws are user provided; minimum 3.00 in [75mm] long GR8 SHCS should be used.

Specifications, descriptions, and dimensional data are subject to correction or change without notice or incurring obligation. Download latest catalog page revisions at www.daman.com.

Ordering Information

Material	Valve Pattern	Circuit	Port Threads
----------	---------------	---------	--------------

For **coating options** see pages 245-246.

Material	
A	Aluminum - 6061-T6 3000† psi • 20.7 MPa
D	Ductile Iron - D4512 5000† psi • 34.5 MPa

† Working pressure should be considered in accordance with ISO 4413 to determine appropriate material type.

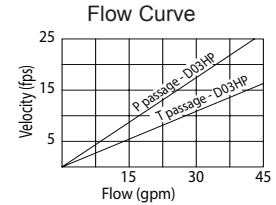
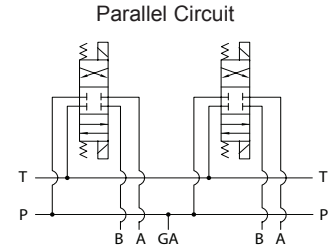
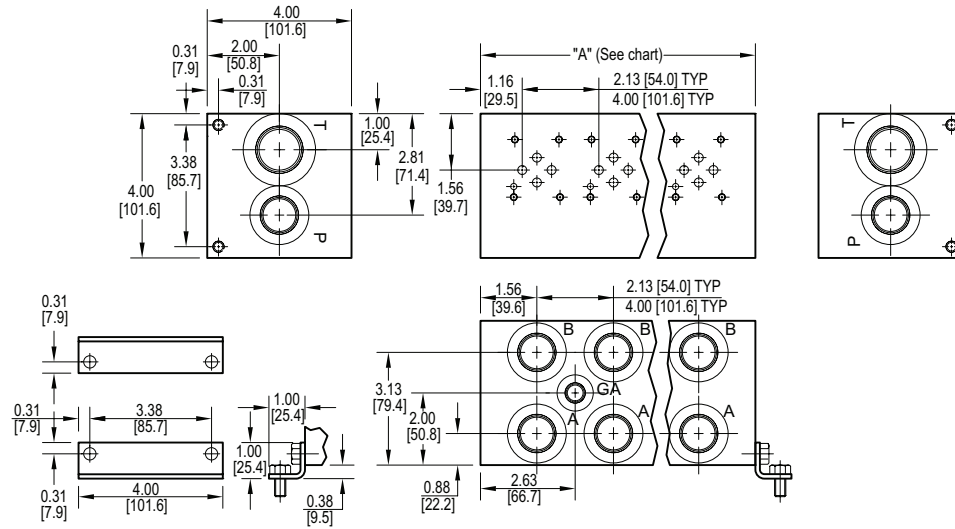
Circuit	
TF	Tank Line Feed Circuit

Valve Pattern	
D03	ISO 4401-03-02 NFPA T3.5.1-D03 See Tech Information
Flow Control Pattern (REF): 2F06 Pattern ISO 6263-06-05 NFPA T3.5.1-2F06	

Port Threads			
	P & T	A & B	
P	NPTF • ANSI B1.20.3	0.75	0.38
S	SAE • ISO 11926	-12	-8

D03 High Flow Parallel Circuit Manifolds 

D03 High Flow Parallel Circuit Manifold



Rated flow Pressure 25 gpm @ 15 fps
 Rated flow Tank 41 gpm @ 15 fps

No. of stations	* 01	02	03	04	05	06	07	08	09	10	11	12	13	14	15	16	17	18
"A" length (code 2 spa.) inch [mm]	3.13 [79.5]	5.25 [133.4]	7.38 [187.5]	9.50 [241.3]	11.63 [295.4]	13.75 [349.3]	15.88 [403.4]	18.00 [457.2]	20.13 [511.3]	22.25 [565.2]	24.38 [619.1]	26.50 [673.1]	28.63 [727.1]	30.75 [781.1]	32.88 [835.0]	35.00 [889.0]	37.13 [943.1]	39.25 [997.0]
apx. weight alum lb [kg]	5 [2]	8 [4]	12 [5]	15 [7]	18 [8]	22 [10]	25 [11]	28 [13]	32 [15]	35 [16]	39 [18]	42 [19]	46 [21]	49 [22]	52 [24]	56 [25]	59 [27]	63 [29]
apx. weight ferrous lb [kg]	13 [6]	22 [10]	30 [14]	39 [18]	48 [22]	57 [26]	66 [30]	74 [34]	83 [38]	92 [42]	101 [46]	110 [50]	119 [54]	128 [58]	137 [62]	146 [66]	--	--
"A" length (code 4 spa.) inch [mm]	--	7.13 [181.1]	11.13 [282.7]	15.13 [384.5]	19.13 [485.9]	23.13 [587.5]	27.13 [689.1]	31.13 [790.7]	35.13 [892.3]	39.13 [993.9]	43.13 [1095.5]							
apx. weight alum lb [kg]	--	11 [5]	17 [8]	24 [11]	30 [14]	37 [17]	43 [20]	49 [22]	56 [25]	62 [28]	68 [31]							
apx. weight ferrous lb [kg]	--	29 [13]	46 [21]	62 [28]	79 [36]	96 [44]	112 [51]	129 [59]	146 [67]	162 [74]	--							

All mounting hardware is supplied. See page 64 for itemized list.

Specifications, descriptions, and dimensional data are subject to correction or change without notice or incurring obligation. Download latest catalog page revisions at www.daman.com.

* Length of 01 station with relief cavity is 4.00 [101.6]. Gauge port not available on 01 station.

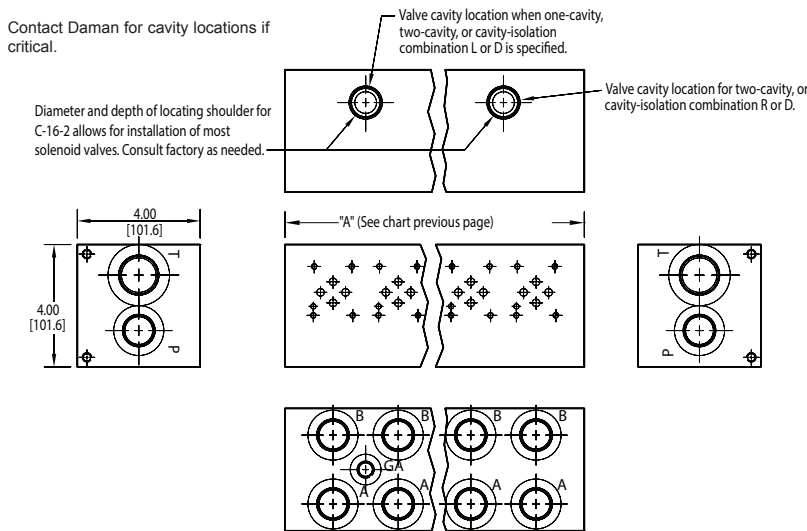
Port code	Valve mtg.	Manifold mtg.
P, S	#10-24 UNC x 0.63 [16] DP	0.31-18 UNC x 0.44 [11.1] DP
B, M, T	M5 ISO 6H x 0.63 [16] DP	M8 ISO 6H x 0.44 [11.1] DP

Ordering Information

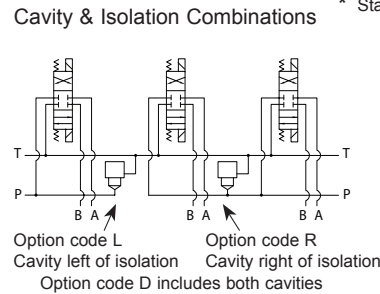
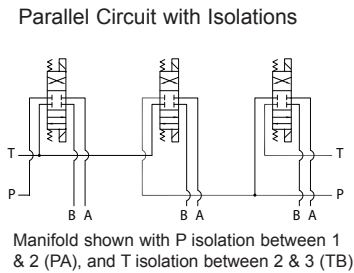
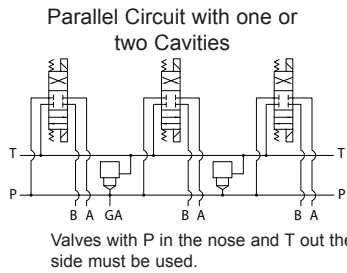
For **coating options** see pages 245-246.

Material	Valve Pattern	Circuit	No. of Stations	Valve Spacing	Port Threads	Options																																										
<table border="1"> <thead> <tr> <th colspan="2">Material</th> </tr> </thead> <tbody> <tr> <td>A</td> <td>Aluminum - 6061-T6 3000[†] psi • 20.7 MPa</td> </tr> <tr> <td>D</td> <td>Ductile Iron - D4512 5000[†] psi • 34.5 MPa</td> </tr> </tbody> </table> <p>[†] Working pressure should be considered in accordance with ISO 4413 to determine appropriate material type.</p>	Material		A	Aluminum - 6061-T6 3000 [†] psi • 20.7 MPa	D	Ductile Iron - D4512 5000 [†] psi • 34.5 MPa	<table border="1"> <thead> <tr> <th colspan="2">Circuit</th> </tr> </thead> <tbody> <tr> <td>HP</td> <td>Parallel Circuit High Flow</td> </tr> </tbody> </table>	Circuit		HP	Parallel Circuit High Flow	<table border="1"> <thead> <tr> <th colspan="2">Valve Spacing</th> </tr> </thead> <tbody> <tr> <td>2</td> <td>2.13 inch 54.0 mm</td> </tr> <tr> <td>4</td> <td>4.00 inch 101.6 mm</td> </tr> </tbody> </table>	Valve Spacing		2	2.13 inch 54.0 mm	4	4.00 inch 101.6 mm	<table border="1"> <thead> <tr> <th colspan="4">Options</th> </tr> </thead> <tbody> <tr> <td colspan="4">See next page for available options and ordering codes.</td> </tr> </tbody> </table>	Options				See next page for available options and ordering codes.																								
Material																																																
A	Aluminum - 6061-T6 3000 [†] psi • 20.7 MPa																																															
D	Ductile Iron - D4512 5000 [†] psi • 34.5 MPa																																															
Circuit																																																
HP	Parallel Circuit High Flow																																															
Valve Spacing																																																
2	2.13 inch 54.0 mm																																															
4	4.00 inch 101.6 mm																																															
Options																																																
See next page for available options and ordering codes.																																																
<table border="1"> <thead> <tr> <th colspan="2">Valve Pattern</th> </tr> </thead> <tbody> <tr> <td>D03</td> <td>ISO 4401-03-02 NFFPA T3.5.1-D03 See Tech information</td> </tr> </tbody> </table>		Valve Pattern		D03	ISO 4401-03-02 NFFPA T3.5.1-D03 See Tech information	<table border="1"> <thead> <tr> <th colspan="2">No. of Stations</th> </tr> </thead> <tbody> <tr> <td colspan="2">Aluminum</td> </tr> <tr> <td>01...18</td> <td>Available with spacing code 2</td> </tr> <tr> <td>02...11</td> <td>Available with spacing code 4</td> </tr> <tr> <td colspan="2">Ductile Iron</td> </tr> <tr> <td>01...16</td> <td>Available with spacing code 2</td> </tr> <tr> <td>02...10</td> <td>Available with spacing code 4</td> </tr> </tbody> </table>		No. of Stations		Aluminum		01...18	Available with spacing code 2	02...11	Available with spacing code 4	Ductile Iron		01...16	Available with spacing code 2	02...10	Available with spacing code 4	<table border="1"> <thead> <tr> <th colspan="4">Port Threads</th> </tr> </thead> <tbody> <tr> <td>P</td> <td>NPTF • ANSI B1.20.3</td> <td>0.75</td> <td>1.00</td> </tr> <tr> <td>S</td> <td>SAE • ISO 11926</td> <td>-12</td> <td>-16</td> </tr> <tr> <td>B</td> <td>BSPP • ISO 1179</td> <td>0.75</td> <td>1.00</td> </tr> <tr> <td>M</td> <td>ISO • ISO 6149</td> <td>M27</td> <td>M33</td> </tr> <tr> <td>T</td> <td>BSPT • ISO 7</td> <td>0.75</td> <td>1.00</td> </tr> </tbody> </table>			Port Threads				P	NPTF • ANSI B1.20.3	0.75	1.00	S	SAE • ISO 11926	-12	-16	B	BSPP • ISO 1179	0.75	1.00	M	ISO • ISO 6149	M27	M33	T	BSPT • ISO 7	0.75	1.00
Valve Pattern																																																
D03	ISO 4401-03-02 NFFPA T3.5.1-D03 See Tech information																																															
No. of Stations																																																
Aluminum																																																
01...18	Available with spacing code 2																																															
02...11	Available with spacing code 4																																															
Ductile Iron																																																
01...16	Available with spacing code 2																																															
02...10	Available with spacing code 4																																															
Port Threads																																																
P	NPTF • ANSI B1.20.3	0.75	1.00																																													
S	SAE • ISO 11926	-12	-16																																													
B	BSPP • ISO 1179	0.75	1.00																																													
M	ISO • ISO 6149	M27	M33																																													
T	BSPT • ISO 7	0.75	1.00																																													

Options - D03 High Flow Parallel Manifold



ISOLATIONS		
Daman isolation options allow a manifold to have two independent pressure and/or tank ports. Isolations are drilled rather than plugged to ensure a leakproof and failproof isolation.		
Ordering code letter:	* Isolation is between stations:	Available # of stations:
2.125 [54.0] spacing		
A	01 & 02	02-14
B	02 & 03	03-15
C	03 & 04	04-16
D	04 & 05	05-17
E	05 & 06	06-18
F	06 & 07	07-18
G	07 & 08	08-18
H	08 & 09	09-18
J	09 & 10	10-18
4.00 [101.6] spacing		
A	01 & 02	02-10
B	02 & 03	03-11
C	03 & 04	04-11
D	04 & 05	05-11
E	05 & 06	06-11
F	06 & 07	07-11
G	07 & 08	08-11



* Stations are numbered left to right.

NOTES:

- 1) The GA port is not available on a (1) station manifold.
- 2) The GA port is not available when a pressure isolation is located between stations 1 & 2.
- 3) Some cavity and isolation combinations are not possible with spacing code 2. Consult factory to determine availability.

Ordering Information



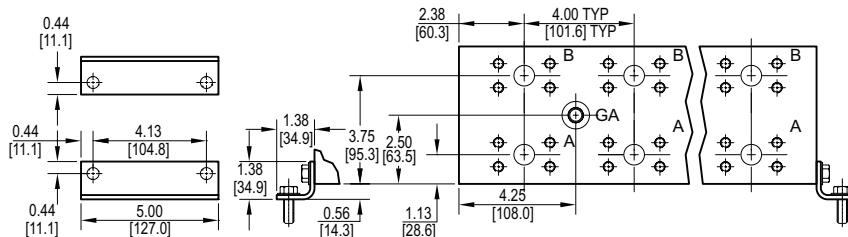
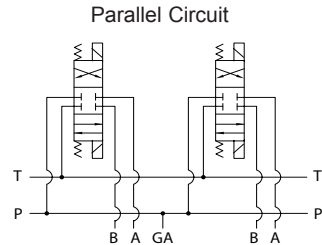
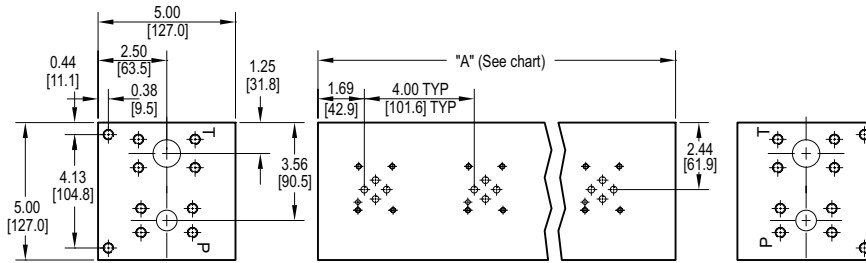
Cavity	
Omit if cavities not required	
C	One Common cavity: C-16-2 (P in nose)
CC	Two Common cavities: C-16-2 (P in nose) Available 03-18 stations with spacing code 2; Available 02-11 stations with spacing code 4. Not available in combination with isolation options.
S	One Sun Cavity: T-3A (P in nose) See Tech Info for valves.

Pressure Isolation	
Omit if P isolation not required	
PA...PJ	Available with spacing code 2
PA...PG	Available with spacing code 4

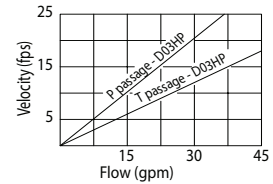
Tank Isolation	
Omit if T isolation not required	
TA...TJ	Available with spacing code 2
TA...TG	Available with spacing code 4

Cavity & Isolation Combinations	
Specify when using a combination of cavity and isolation options. Cavities do not have solenoid clearance.	
L	Cavity is located left of the isolation.
R	Cavity is located right of the isolation.
D	Two cavities, one each side of isolation. (Use with cavity option codes C or S only.)

D03 High Flow Parallel Circuit Manifold - Flange Ports



Flow Curve



Rated flow Pressure 21 gpm @ 15 fps
Rated flow Tank 37 gpm @ 15 fps

No. of stations	* 01	02	03	04	05	06	07	08	09	10	11	12
"A" length inch [mm]	4.75 [120.7]	8.75 [222.3]	12.75 [323.9]	16.75 [425.5]	20.75 [527.1]	24.75 [628.7]	28.75 [730.3]	32.75 [831.9]	36.75 [933.5]	40.75 [1035.1]	44.75 [1136.7]	48.75 [1238.3]
apx. weight alum lb [kg]	12 [5.5]	22 [10]	32 [14.5]	42 [19]	52 [23.5]	62 [28]	72 [33]	82 [37]	92 [42]	102 [46]	112 [51]	122 [55]
apx. weight ferrous lb [kg]	31 [14]	57 [26]	83 [38]	109 [49]	135 [61]	161 [73]	187 [85]	213 [97]	239 [108]	265 [120]	291 [132]	317 [144]

* Length of 01 station with relief cavity is 5.75 [146.1]. Gauge port not available on 01 station.

Port code	Valve mtg.	Manifold mtg.	Flange mtg.	GA Port
F	#10-24 UNC x 0.63 [16] DP	0.38-16 UNC x 0.75 [19] DP	ISO 6162 Type II - Inch	-6 SAE J1926
F / M	M5 ISO 6H x 0.63 [16] DP	M10 ISO 6H x 0.75 [19] DP	ISO 6162 Type I - metric	NONE

All mounting hardware is supplied.
See page 64 for itemized list.

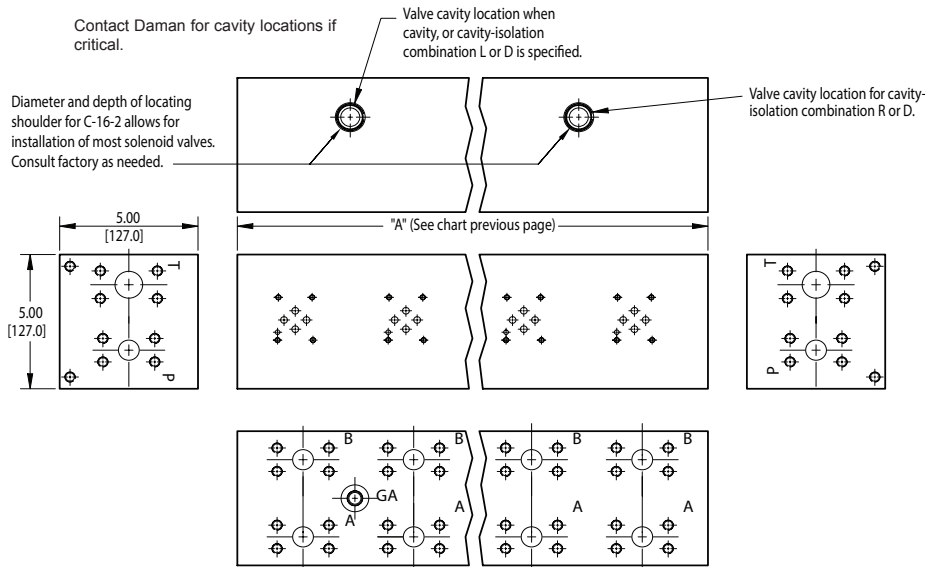
Specifications, descriptions, and dimensional data are subject to correction or change without notice or incurring obligation. Download latest catalog page revisions at www.daman.com.

Ordering Information

For **coating options**
see pages 245-246.

Material	Valve Pattern	Circuit	No. of Stations	Valve Spacing	Port Threads	Options																																				
<table border="1"> <thead> <tr> <th colspan="2">Material</th> </tr> </thead> <tbody> <tr> <td>A</td> <td>Aluminum - 6061-T6 3000[†] psi • 20.7 MPa</td> </tr> <tr> <td>D</td> <td>Ductile Iron - D4512 5000[†] psi • 34.5 MPa</td> </tr> </tbody> </table> <p>[†] Working pressure should be considered in accordance with ISO 4413 to determine appropriate material type.</p>	Material		A	Aluminum - 6061-T6 3000 [†] psi • 20.7 MPa	D	Ductile Iron - D4512 5000 [†] psi • 34.5 MPa	<table border="1"> <thead> <tr> <th colspan="2">Valve Pattern</th> </tr> </thead> <tbody> <tr> <td>D03</td> <td>ISO 4401-03-02 NFPA T3.5.1-D03 See Tech Information</td> </tr> </tbody> </table>	Valve Pattern		D03	ISO 4401-03-02 NFPA T3.5.1-D03 See Tech Information	<table border="1"> <thead> <tr> <th colspan="2">Circuit</th> </tr> </thead> <tbody> <tr> <td>HP</td> <td>Parallel Circuit High Flow</td> </tr> </tbody> </table>	Circuit		HP	Parallel Circuit High Flow	<table border="1"> <thead> <tr> <th colspan="2">No. of Stations</th> </tr> </thead> <tbody> <tr> <td>01...12</td> <td>Aluminum or Ductile Iron Available with spacing code 4</td> </tr> </tbody> </table>	No. of Stations		01...12	Aluminum or Ductile Iron Available with spacing code 4	<table border="1"> <thead> <tr> <th colspan="2">Valve Spacing</th> </tr> </thead> <tbody> <tr> <td>4</td> <td>4.00 inch 101.6 mm</td> </tr> </tbody> </table>	Valve Spacing		4	4.00 inch 101.6 mm	<table border="1"> <thead> <tr> <th colspan="3">Port Threads</th> </tr> </thead> <tbody> <tr> <td>F</td> <td>CODE 61 4-Bolt Flange SAE J518 - CODE 61 ISO 6162 - 2.5 to 35 MPa</td> <td> <table border="1"> <thead> <tr> <th>P,A,B</th> <th>T</th> </tr> </thead> <tbody> <tr> <td>0.75 CODE 61</td> <td>1.00 CODE 61</td> </tr> </tbody> </table> </td> </tr> </tbody> </table>	Port Threads			F	CODE 61 4-Bolt Flange SAE J518 - CODE 61 ISO 6162 - 2.5 to 35 MPa	<table border="1"> <thead> <tr> <th>P,A,B</th> <th>T</th> </tr> </thead> <tbody> <tr> <td>0.75 CODE 61</td> <td>1.00 CODE 61</td> </tr> </tbody> </table>	P,A,B	T	0.75 CODE 61	1.00 CODE 61	<table border="1"> <thead> <tr> <th colspan="2">Options</th> </tr> </thead> <tbody> <tr> <td colspan="2">See next page for available options and ordering codes.</td> </tr> </tbody> </table>	Options		See next page for available options and ordering codes.	
Material																																										
A	Aluminum - 6061-T6 3000 [†] psi • 20.7 MPa																																									
D	Ductile Iron - D4512 5000 [†] psi • 34.5 MPa																																									
Valve Pattern																																										
D03	ISO 4401-03-02 NFPA T3.5.1-D03 See Tech Information																																									
Circuit																																										
HP	Parallel Circuit High Flow																																									
No. of Stations																																										
01...12	Aluminum or Ductile Iron Available with spacing code 4																																									
Valve Spacing																																										
4	4.00 inch 101.6 mm																																									
Port Threads																																										
F	CODE 61 4-Bolt Flange SAE J518 - CODE 61 ISO 6162 - 2.5 to 35 MPa	<table border="1"> <thead> <tr> <th>P,A,B</th> <th>T</th> </tr> </thead> <tbody> <tr> <td>0.75 CODE 61</td> <td>1.00 CODE 61</td> </tr> </tbody> </table>	P,A,B	T	0.75 CODE 61	1.00 CODE 61																																				
P,A,B	T																																									
0.75 CODE 61	1.00 CODE 61																																									
Options																																										
See next page for available options and ordering codes.																																										

Options - D03 High Flow Parallel Manifold Flange Ports

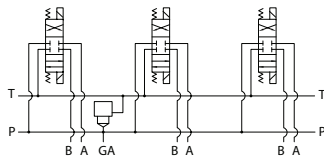


ISOLATIONS		
Daman isolation options allow a manifold to have two independent pressure and/or tank ports. Isolations are drilled rather than plugged to ensure a leakproof and failproof isolation.		
Ordering code letter:	* Isolation is between stations:	Available # of stations:
A	01 & 02	02-10
B	02 & 03	03-11
C	03 & 04	04-12
D	04 & 05	05-12
E	05 & 06	06-12
F	06 & 07	07-12
G	07 & 08	08-12

* Stations are numbered left to right.

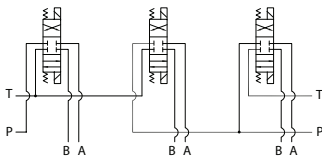
- NOTES:**
- The GA port is not available when a pressure isolation is located between 1 & 2.
 - Some cavity and isolation combinations are not possible. Consult factory to determine availability.

Parallel Circuit with Cavity



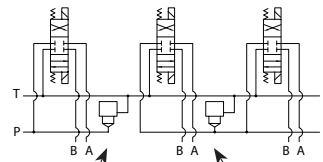
Valves with P in the nose and T out the side must be used.

Parallel Circuit with Isolations



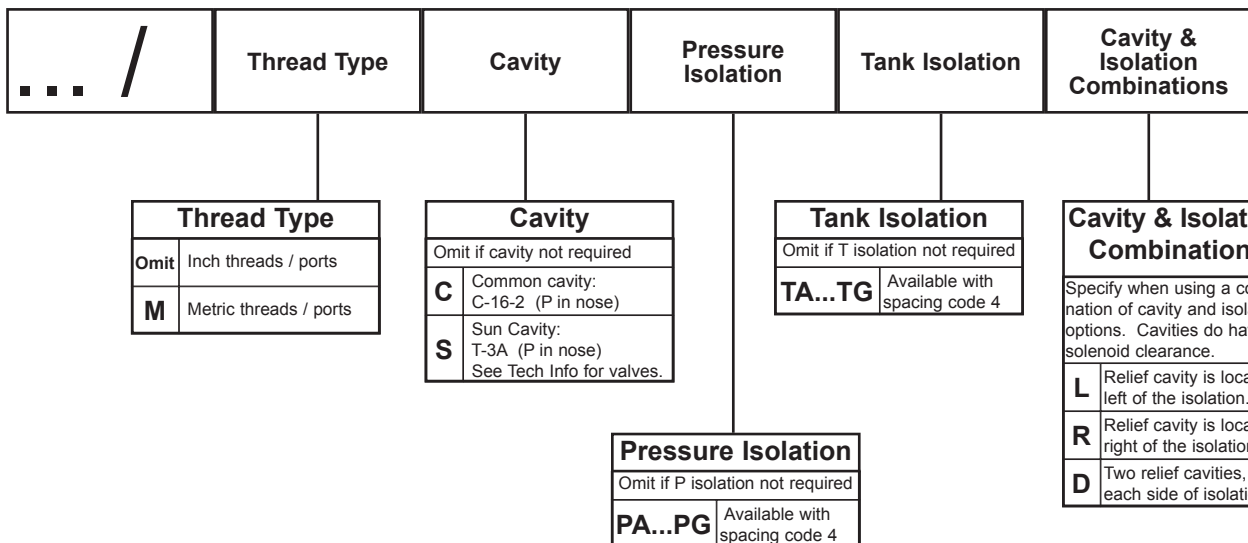
Manifold shown with P isolation between 1 & 2 (PA), and T isolation between 2 & 3 (TB).

Cavity & Isolation Combinations

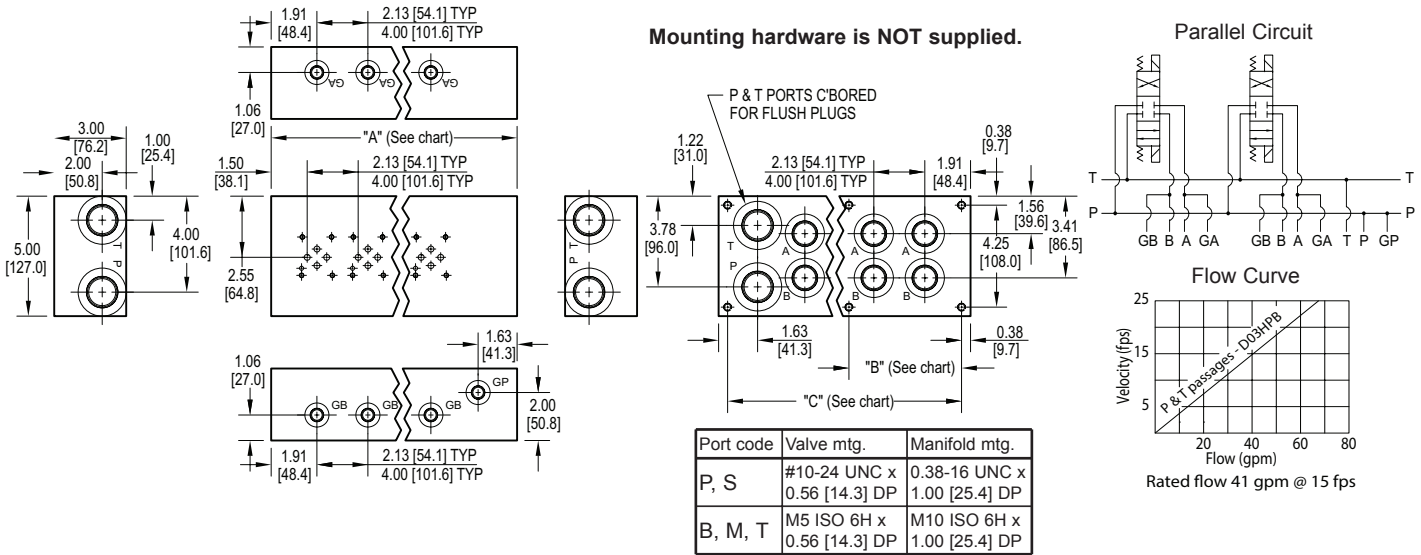


Option code L Cavity left of isolation
Option code R Cavity right of isolation
Option code D includes both cavities

Ordering Information



D03 High Flow Bottom Ported Manifold With A & B Test Ports



No. of stations	01	02	03	04	05	06	07	08	09	10	No. of stations	02	03	04	05	06
"A" length (code 2 spa.) inch [mm]	5.50 [139.7]	7.63 [193.7]	9.75 [247.7]	11.88 [301.6]	14.00 [355.6]	16.13 [409.6]	18.25 [463.6]	20.38 [517.5]	22.50 [571.5]	24.63 [625.5]	"A" length (code 4 spa.) inch [mm]	9.50 [241.3]	13.50 [342.9]	17.50 [444.5]	21.50 [546.1]	25.50 [647.7]
"B" dim (code 2 spa.) inch [mm]	--	--	--	--	--	--	--	8.97 [227.8]	11.09 [281.8]	11.09 [281.8]	"B" dim (code 4 spa.) inch [mm]	--	--	--	11.53 [292.9]	11.53 [292.9]
"C" dim (code 2 spa.) inch [mm]	4.75 [120.7]	6.88 [174.6]	9.00 [228.6]	11.13 [282.6]	13.25 [336.6]	15.38 [390.5]	17.50 [444.5]	19.63 [498.5]	21.75 [552.5]	23.88 [606.4]	"C" dim (code 4 spa.) inch [mm]	8.75 [222.3]	12.75 [323.9]	16.75 [425.5]	20.75 [527.1]	24.75 [628.7]
apx. weight alum lb [kg]	8 [4]	11 [5]	15 [7]	18 [8]	21 [10]	24 [11]	27 [12]	31 [14]	34 [15]	37 [17]	apx. weight alum lb [kg]	14 [6]	20 [9]	26 [12]	32 [15]	38 [17]
apx. weight ferrous lb [kg]	21 [10]	30 [13]	38 [17]	46 [21]	55 [25]	63 [29]	71 [32]	79 [36]	88 [40]	96 [44]	apx. weight ferrous lb [kg]	37 [17]	53 [24]	68 [31]	84 [38]	99 [45]

Specifications, descriptions, and dimensional data are subject to correction or change without notice or incurring obligation. Download latest catalog page revisions at www.daman.com.

Ordering Information

Material	Valve Pattern	Circuit	No. of Stations	Valve Spacing	Port Threads
----------	---------------	---------	-----------------	---------------	--------------

For **coating options** see pages 245-246.

Material	
A	Aluminum - 6061-T6 3000† psi • 20.7 MPa
D	Ductile Iron - D4512 5000† psi • 34.5 MPa

† Working pressure should be considered in accordance with ISO 4413 to determine appropriate material type.

Circuit	
HPB	Parallel Circuit High Flow Bottom Ported

Valve Spacing	
2	2.13 inch 54.0 mm
4	4.00 inch 101.6 mm

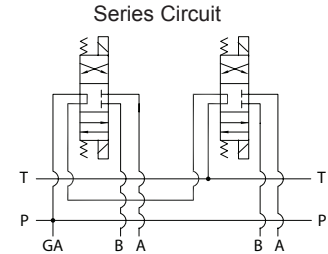
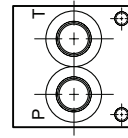
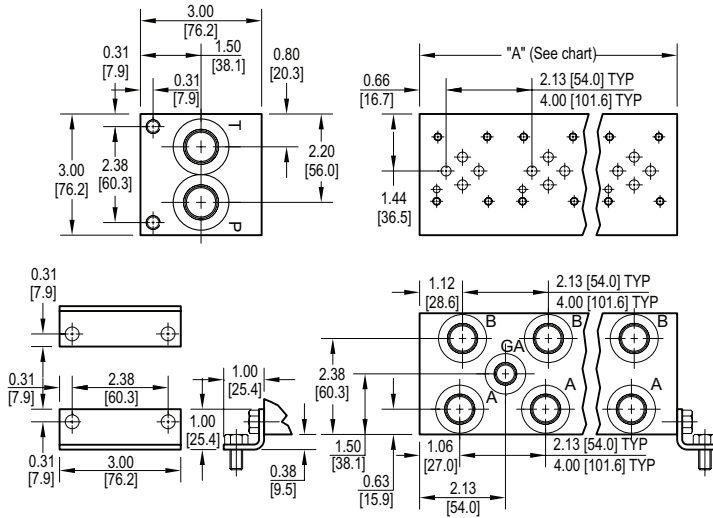
Valve Pattern	
D03	ISO 4401-03-02 NFFA T3.5.1-D03 See Tech Information

No. of Stations	
Aluminum	
01...10	Available with spacing code 2
02...06	Available with spacing code 4
Ductile Iron	
01...10	Available with spacing code 2
02...06	Available with spacing code 4

Port Threads				
	P & T	A & B	G*	
P	NPTF • ANSI B1.20.3	1.00	0.75	0.25
S	SAE • ISO 11926	-16	-12	-4
B	BSPP • ISO 1179	1.00	0.75	0.25
M	ISO • ISO 6149	M33	M27	M10
T	BSPT • ISO 7	1.00	0.75	0.25

D03 Series Circuit Manifolds 

D03 Series Circuit Manifold



All mounting hardware is supplied, except for stainless.
See page 64 for itemized list.

No. of stations	02	03	04	05	06	07	08
"A" length (code 2 spa.) inch [mm]	4.25 [108.0]	6.38 [162.1]	8.50 [215.9]	10.63 [270.0]	12.75 [323.9]	14.88 [378.0]	17.00 [431.8]
apx. weight alum lb [kg]	4 [2]	6 [3]	8 [4]	9 [4]	11 [5]	12 [5]	14 [6]
apx. weight ferrous lb [kg]	9 [4]	13 [6]	17 [8]	23 [10]	26 [12]	--	--
"A" length (code 4 spa.) inch [mm]	6.13 [155.7]	10.13 [257.3]	14.13 [358.9]				
apx. weight alum lb [kg]	6 [3]	9 [4]	12 [5]				
apx. weight ferrous lb [kg]	12 [5]	20 [9]	28 [13]				

Port code	Valve mtg.	Manifold mtg.
P, S	#10-24 UNC x 0.63 [16] DP	0.31-18 UNC x 0.44 [11.1] DP
B, M, T	M5 ISO 6H x 0.63 [16] DP	M8 ISO 6H x 0.44 [11.1] DP

Note: Both Daman's parallel and series D03 manifolds have pressure and tank lines that run the length of the manifold. Consequently it is commonly assumed that an error was made by marking a parallel manifold incorrectly as a series. Upon closer inspection it can be seen that the valve patterns are indeed connected in series.

Specifications, descriptions, and dimensional data are subject to correction or change without notice or incurring obligation. Download latest catalog page revisions at www.daman.com.

Ordering Information

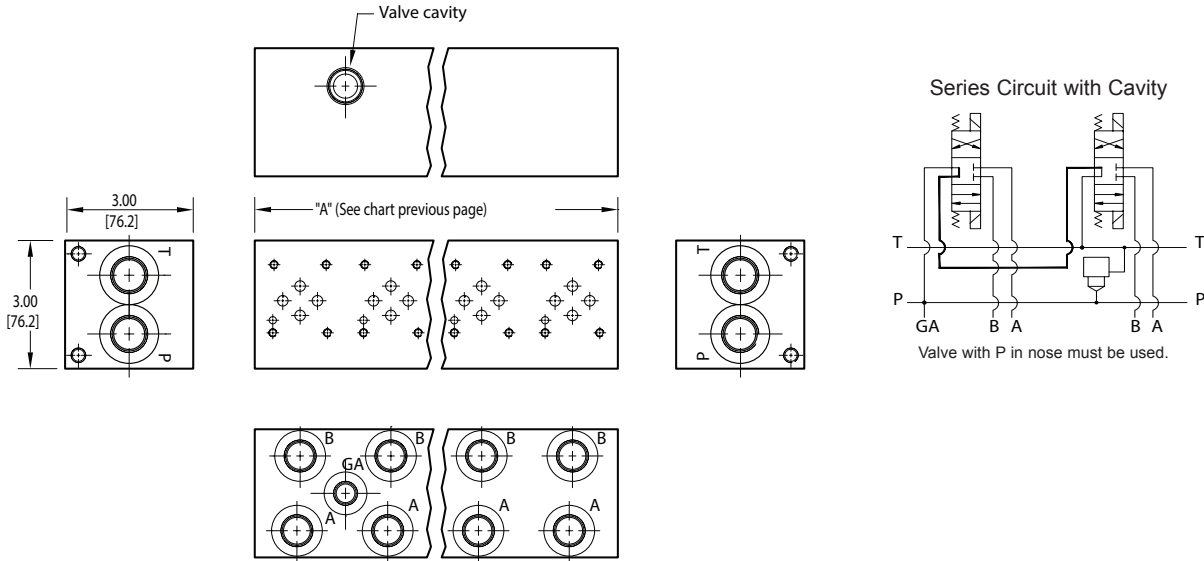
For **coating options**
see pages 245-246.

Material	Valve Pattern	Circuit	No. of Stations	Valve Spacing	Port Threads	Options																																																																						
<table border="1"> <thead> <tr> <th colspan="2">Material</th> </tr> </thead> <tbody> <tr> <td>A</td> <td>Aluminum - 6061-T6 3000[†] psi • 20.7 MPa</td> </tr> <tr> <td>D</td> <td>Ductile Iron - D4512 5000[†] psi • 34.5 MPa</td> </tr> <tr> <td>S*</td> <td>Stainless Steel - 17-4 5000[†] psi • 34.5 MPa</td> </tr> </tbody> </table> <p>[†] Working pressure should be considered in accordance with ISO 4413 to determine appropriate material type.</p> <p>*All stainless steel products are passivated.</p>	Material		A	Aluminum - 6061-T6 3000 [†] psi • 20.7 MPa	D	Ductile Iron - D4512 5000 [†] psi • 34.5 MPa	S*	Stainless Steel - 17-4 5000 [†] psi • 34.5 MPa	<table border="1"> <thead> <tr> <th colspan="2">Valve Pattern</th> </tr> </thead> <tbody> <tr> <td>D03</td> <td>ISO 4401-03-02 NFFPA T3.5.1-D03 See Tech Information</td> </tr> </tbody> </table>	Valve Pattern		D03	ISO 4401-03-02 NFFPA T3.5.1-D03 See Tech Information	<table border="1"> <thead> <tr> <th colspan="2">Circuit</th> </tr> </thead> <tbody> <tr> <td>S</td> <td>Series Circuit</td> </tr> </tbody> </table>	Circuit		S	Series Circuit	<table border="1"> <thead> <tr> <th colspan="2">No. of Stations</th> </tr> </thead> <tbody> <tr> <td colspan="2">Aluminum</td> </tr> <tr> <td>02...08</td> <td>Available with spacing code 2</td> </tr> <tr> <td>02...04</td> <td>Available with spacing code 4</td> </tr> <tr> <td colspan="2">Ductile Iron</td> </tr> <tr> <td>02...06</td> <td>Available with spacing code 2</td> </tr> <tr> <td>02...04</td> <td>Available with spacing code 4</td> </tr> <tr> <td colspan="2">Stainless Steel</td> </tr> <tr> <td>02...08</td> <td>Available with spacing code 2</td> </tr> <tr> <td>02...04</td> <td>Available with spacing code 4</td> </tr> </tbody> </table>	No. of Stations		Aluminum		02...08	Available with spacing code 2	02...04	Available with spacing code 4	Ductile Iron		02...06	Available with spacing code 2	02...04	Available with spacing code 4	Stainless Steel		02...08	Available with spacing code 2	02...04	Available with spacing code 4	<table border="1"> <thead> <tr> <th colspan="2">Valve Spacing</th> </tr> </thead> <tbody> <tr> <td>2</td> <td>2.13 inch 38.1 mm</td> </tr> <tr> <td>4</td> <td>4.00 inch 101.6 mm</td> </tr> </tbody> </table>	Valve Spacing		2	2.13 inch 38.1 mm	4	4.00 inch 101.6 mm	<table border="1"> <thead> <tr> <th colspan="4">Port Threads</th> </tr> </thead> <tbody> <tr> <td>P*</td> <td>NPTF • ANSI B1.20.3</td> <td>0.50</td> <td>0.38</td> </tr> <tr> <td>S</td> <td>SAE • ISO 11926</td> <td>-10</td> <td>-8</td> </tr> <tr> <td>B</td> <td>BSPP • ISO 1179</td> <td>0.50</td> <td>0.38</td> </tr> <tr> <td>M</td> <td>ISO • ISO 6149</td> <td>M22</td> <td>M18</td> </tr> <tr> <td>T*</td> <td>BSPT • ISO 7</td> <td>0.50</td> <td>0.38</td> </tr> </tbody> </table>	Port Threads				P*	NPTF • ANSI B1.20.3	0.50	0.38	S	SAE • ISO 11926	-10	-8	B	BSPP • ISO 1179	0.50	0.38	M	ISO • ISO 6149	M22	M18	T*	BSPT • ISO 7	0.50	0.38	<table border="1"> <thead> <tr> <th colspan="2">Options</th> </tr> </thead> <tbody> <tr> <td colspan="2">See next page for available options and ordering codes.</td> </tr> </tbody> </table>	Options		See next page for available options and ordering codes.	
Material																																																																												
A	Aluminum - 6061-T6 3000 [†] psi • 20.7 MPa																																																																											
D	Ductile Iron - D4512 5000 [†] psi • 34.5 MPa																																																																											
S*	Stainless Steel - 17-4 5000 [†] psi • 34.5 MPa																																																																											
Valve Pattern																																																																												
D03	ISO 4401-03-02 NFFPA T3.5.1-D03 See Tech Information																																																																											
Circuit																																																																												
S	Series Circuit																																																																											
No. of Stations																																																																												
Aluminum																																																																												
02...08	Available with spacing code 2																																																																											
02...04	Available with spacing code 4																																																																											
Ductile Iron																																																																												
02...06	Available with spacing code 2																																																																											
02...04	Available with spacing code 4																																																																											
Stainless Steel																																																																												
02...08	Available with spacing code 2																																																																											
02...04	Available with spacing code 4																																																																											
Valve Spacing																																																																												
2	2.13 inch 38.1 mm																																																																											
4	4.00 inch 101.6 mm																																																																											
Port Threads																																																																												
P*	NPTF • ANSI B1.20.3	0.50	0.38																																																																									
S	SAE • ISO 11926	-10	-8																																																																									
B	BSPP • ISO 1179	0.50	0.38																																																																									
M	ISO • ISO 6149	M22	M18																																																																									
T*	BSPT • ISO 7	0.50	0.38																																																																									
Options																																																																												
See next page for available options and ordering codes.																																																																												

* Pipe ports in stainless can experience galling

Options - D03 Series Manifold

Contact Daman for cavity locations if critical.

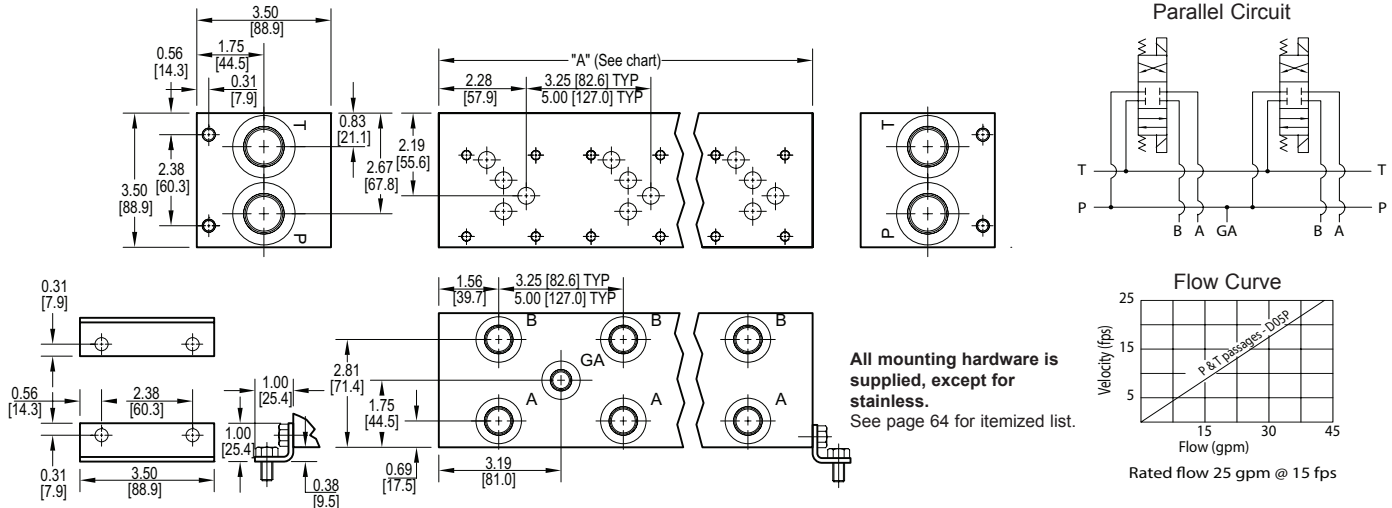


Ordering Information



Cavity	
Omit if cavity not required.	
C	Common cavity: No solenoid clearance. C-10-2 (P in nose) For valves w/1" hex max.
S	Sun Cavity T-10A (P in nose) See Tech Info for valves.

D05 Standard Flow Parallel Manifold



No. of stations	* 01	02	03	04	05	06	07	08	09	10	11	12	13	14	15	16	17	18	19	20	21
"A" length (code 3 spa.) inch [mm]	3.25 [82.6]	6.50 [165.1]	9.75 [247.7]	13.00 [330.2]	16.25 [412.8]	19.50 [495.3]	22.75 [577.9]	26.00 [660.4]	29.25 [743.0]	32.50 [825.5]	35.75 [908.1]	39.00 [990.6]	42.25 [1073.2]	45.50 [1155.7]	48.75 [1238.3]	52.00 [1320.8]	55.25 [1403.4]	58.50 [1485.9]	61.75 [1568.5]	65.00 [1651.0]	68.25 [1733.6]
apx. weight alum lb [kg]	4 [2]	8 [4]	11 [5]	14 [7]	17 [8]	21 [10]	24 [11]	27 [12]	30 [14]	34 [15]	37 [17]	41 [19]	44 [20]	47 [21]	51 [23]	55 [25]	58 [26]	61 [28]	64 [29]	67 [30]	71 [32]
apx. weight ferrous lb [kg]	9 [4]	17 [8]	26 [12]	34 [15]	43 [20]	51 [23]	60 [27]	68 [31]	77 [35]	85 [39]	94 [43]	102 [46]	111 [50]	--	--	--	--	--	--	--	--
"A" length (code 5 spa.) inch [mm]	--	8.25 [209.6]	13.25 [336.6]	18.25 [463.6]	23.25 [590.6]	28.25 [717.6]	33.25 [844.6]	38.25 [971.6]	43.25 [1098.6]	48.25 [1225.6]	53.25 [1352.6]	58.25 [1479.6]	63.25 [1606.6]	68.25 [1733.6]							
apx. weight alum lb [kg]	--	9 [4]	15 [7]	20 [9]	25 [11]	30 [14]	35 [16]	41 [19]	46 [21]	50 [23]	55 [25]	60 [27]	65 [29]	71 [32]							
apx. weight ferrous lb [kg]	--	22 [10]	36 [16]	49 [22]	62 [28]	76 [34]	89 [40]	102 [46]	116 [53]	--	--	--	--	--							

Port code	Valve mtg.	Manifold mtg.
P, S	0.25-20 UNC x 0.75 [19] DP	0.31-18 UNC x 0.44 [11.1] DP
B, M, T	M6 ISO 6H x 0.75 [19] DP	M8 ISO 6H x 0.44 [11.1] DP

* Length of 01 station with relief cavity is 4.50 [114.3]. Gauge port not available on 01 station.

Specifications, descriptions, and dimensional data are subject to correction or change without notice or incurring obligation. Download latest catalog page revisions at www.daman.com.

Ordering Information

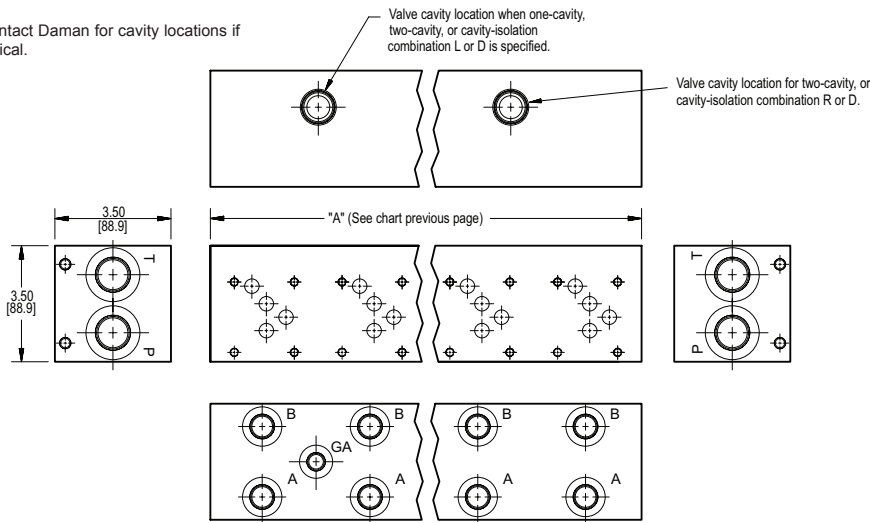
For **coating options** see pages 245-246.

Material	Valve Pattern	Circuit	No. of Stations	Valve Spacing	Port Threads	Options																																																																												
<table border="1" style="width: 100%; border-collapse: collapse;"> <thead> <tr> <th colspan="2">Material</th> </tr> </thead> <tbody> <tr> <td style="text-align: center;">A</td> <td>Aluminum - 6061-T6 3000† psi • 20.7 MPa</td> </tr> <tr> <td style="text-align: center;">D</td> <td>Ductile Iron - D4512 5000† psi • 34.5 MPa</td> </tr> <tr> <td style="text-align: center;">S*</td> <td>Stainless Steel - 17-4 5000† psi • 34.5 MPa</td> </tr> <tr> <td colspan="2">† Working pressure should be considered in accordance with ISO 4413 to determine appropriate material type.</td> </tr> </tbody> </table> <p style="font-size: small;">*All stainless steel products are passivated.</p>	Material		A	Aluminum - 6061-T6 3000† psi • 20.7 MPa	D	Ductile Iron - D4512 5000† psi • 34.5 MPa	S*	Stainless Steel - 17-4 5000† psi • 34.5 MPa	† Working pressure should be considered in accordance with ISO 4413 to determine appropriate material type.		<table border="1" style="width: 100%; border-collapse: collapse;"> <thead> <tr> <th colspan="2">Valve Pattern</th> </tr> </thead> <tbody> <tr> <td style="text-align: center;">D05</td> <td>ISO 4401-05-04 NFPA T3.5.1-D05 See Tech Information</td> </tr> </tbody> </table>	Valve Pattern		D05	ISO 4401-05-04 NFPA T3.5.1-D05 See Tech Information	<table border="1" style="width: 100%; border-collapse: collapse;"> <thead> <tr> <th colspan="2">Circuit</th> </tr> </thead> <tbody> <tr> <td style="text-align: center;">P</td> <td>Parallel Circuit Standard Flow</td> </tr> </tbody> </table>	Circuit		P	Parallel Circuit Standard Flow	<table border="1" style="width: 100%; border-collapse: collapse;"> <thead> <tr> <th colspan="2">No. of Stations</th> </tr> </thead> <tbody> <tr> <td colspan="2" style="text-align: center;">Aluminum</td> </tr> <tr> <td style="text-align: center;">01...21</td> <td>Available with spacing code 3</td> </tr> <tr> <td style="text-align: center;">02...14</td> <td>Available with spacing code 5</td> </tr> <tr> <td colspan="2" style="text-align: center;">Ductile Iron</td> </tr> <tr> <td style="text-align: center;">01...12</td> <td>Available with spacing code 3</td> </tr> <tr> <td style="text-align: center;">02...09</td> <td>Available with spacing code 5</td> </tr> <tr> <td colspan="2" style="text-align: center;">Stainless Steel</td> </tr> <tr> <td style="text-align: center;">01...06</td> <td>Available with spacing code 3</td> </tr> <tr> <td style="text-align: center;">02...04</td> <td>Available with spacing code 5</td> </tr> </tbody> </table>	No. of Stations		Aluminum		01...21	Available with spacing code 3	02...14	Available with spacing code 5	Ductile Iron		01...12	Available with spacing code 3	02...09	Available with spacing code 5	Stainless Steel		01...06	Available with spacing code 3	02...04	Available with spacing code 5	<table border="1" style="width: 100%; border-collapse: collapse;"> <thead> <tr> <th colspan="2">Valve Spacing</th> </tr> </thead> <tbody> <tr> <td style="text-align: center;">3</td> <td>3.25 inch 82.6 mm</td> </tr> <tr> <td style="text-align: center;">5</td> <td>5.00 inch 127.0 mm</td> </tr> </tbody> </table>	Valve Spacing		3	3.25 inch 82.6 mm	5	5.00 inch 127.0 mm	<table border="1" style="width: 100%; border-collapse: collapse;"> <thead> <tr> <th colspan="4">Port Threads</th> </tr> <tr> <th></th> <th>P & T</th> <th>A & B</th> <th>GA</th> </tr> </thead> <tbody> <tr> <td style="text-align: center;">P*</td> <td>NPTF • ANSI B1.20.3</td> <td>0.75</td> <td>0.50</td> </tr> <tr> <td style="text-align: center;">S</td> <td>SAE • ISO 11926</td> <td>-12</td> <td>-8</td> </tr> <tr> <td style="text-align: center;">B</td> <td>BSPP • ISO 1179</td> <td>0.75</td> <td>0.50</td> </tr> <tr> <td style="text-align: center;">M</td> <td>ISO • ISO 6149</td> <td>M27</td> <td>M18</td> </tr> <tr> <td style="text-align: center;">T*</td> <td>BSPT • ISO 7</td> <td>0.75</td> <td>0.50</td> </tr> </tbody> </table>	Port Threads					P & T	A & B	GA	P*	NPTF • ANSI B1.20.3	0.75	0.50	S	SAE • ISO 11926	-12	-8	B	BSPP • ISO 1179	0.75	0.50	M	ISO • ISO 6149	M27	M18	T*	BSPT • ISO 7	0.75	0.50	<table border="1" style="width: 100%; border-collapse: collapse;"> <thead> <tr> <th colspan="2">Options</th> </tr> </thead> <tbody> <tr> <td colspan="2">See next page for available options and ordering codes.</td> </tr> </tbody> </table>	Options		See next page for available options and ordering codes.	
Material																																																																																		
A	Aluminum - 6061-T6 3000† psi • 20.7 MPa																																																																																	
D	Ductile Iron - D4512 5000† psi • 34.5 MPa																																																																																	
S*	Stainless Steel - 17-4 5000† psi • 34.5 MPa																																																																																	
† Working pressure should be considered in accordance with ISO 4413 to determine appropriate material type.																																																																																		
Valve Pattern																																																																																		
D05	ISO 4401-05-04 NFPA T3.5.1-D05 See Tech Information																																																																																	
Circuit																																																																																		
P	Parallel Circuit Standard Flow																																																																																	
No. of Stations																																																																																		
Aluminum																																																																																		
01...21	Available with spacing code 3																																																																																	
02...14	Available with spacing code 5																																																																																	
Ductile Iron																																																																																		
01...12	Available with spacing code 3																																																																																	
02...09	Available with spacing code 5																																																																																	
Stainless Steel																																																																																		
01...06	Available with spacing code 3																																																																																	
02...04	Available with spacing code 5																																																																																	
Valve Spacing																																																																																		
3	3.25 inch 82.6 mm																																																																																	
5	5.00 inch 127.0 mm																																																																																	
Port Threads																																																																																		
	P & T	A & B	GA																																																																															
P*	NPTF • ANSI B1.20.3	0.75	0.50																																																																															
S	SAE • ISO 11926	-12	-8																																																																															
B	BSPP • ISO 1179	0.75	0.50																																																																															
M	ISO • ISO 6149	M27	M18																																																																															
T*	BSPT • ISO 7	0.75	0.50																																																																															
Options																																																																																		
See next page for available options and ordering codes.																																																																																		

* Pipe ports in stainless can experience galling

Options - D05 Standard Flow Parallel Manifold

Contact Daman for cavity locations if critical.

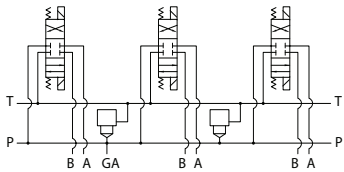


ISOLATIONS

Daman isolation options allow a manifold to have two independent pressure and/or tank ports. Isolations are drilled rather than plugged to ensure a leakproof and failproof isolation.

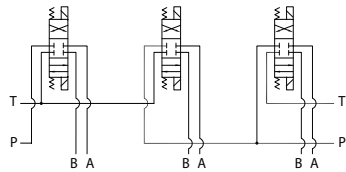
Ordering code letter:	* Isolation is between stations:	Available # of stations:
3.25 [82.6] spacing		
A	01 & 02	02-10
B	02 & 03	03-11
C	03 & 04	04-12
D	04 & 05	05-13
E	05 & 06	06-14
F	06 & 07	07-15
G	07 & 08	08-16
H	08 & 09	09-17
J	09 & 10	10-18
5.00 [127.0] spacing		
A	01 & 02	02-07
B	02 & 03	03-08
C	03 & 04	04-09
D	04 & 05	05-10
E	05 & 06	06-11
F	06 & 07	07-12

Parallel Circuit with one or two Cavities



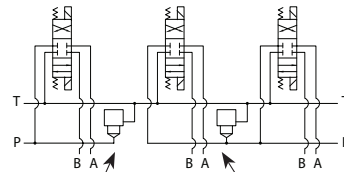
Valves with P in the nose and T out the side must be used.

Parallel Circuit with Isolations



Manifold shown with P isolation between 1 & 2 (PA), and T isolation between 2 & 3 (TB).

Cavity & Isolation Combinations



Option code L
Cavity left of isolation

Option code R
Cavity right of isolation

Option code D includes both cavities

* Stations are numbered left to right.

NOTES:

- 1) The GA port is not available on a (1) station manifold.
- 2) The GA port is not available when a pressure isolation is located between stations 1 & 2.
- 3) Some cavity and isolation combinations are not possible with spacing code 3. Consult factory to determine availability.

Ordering Information



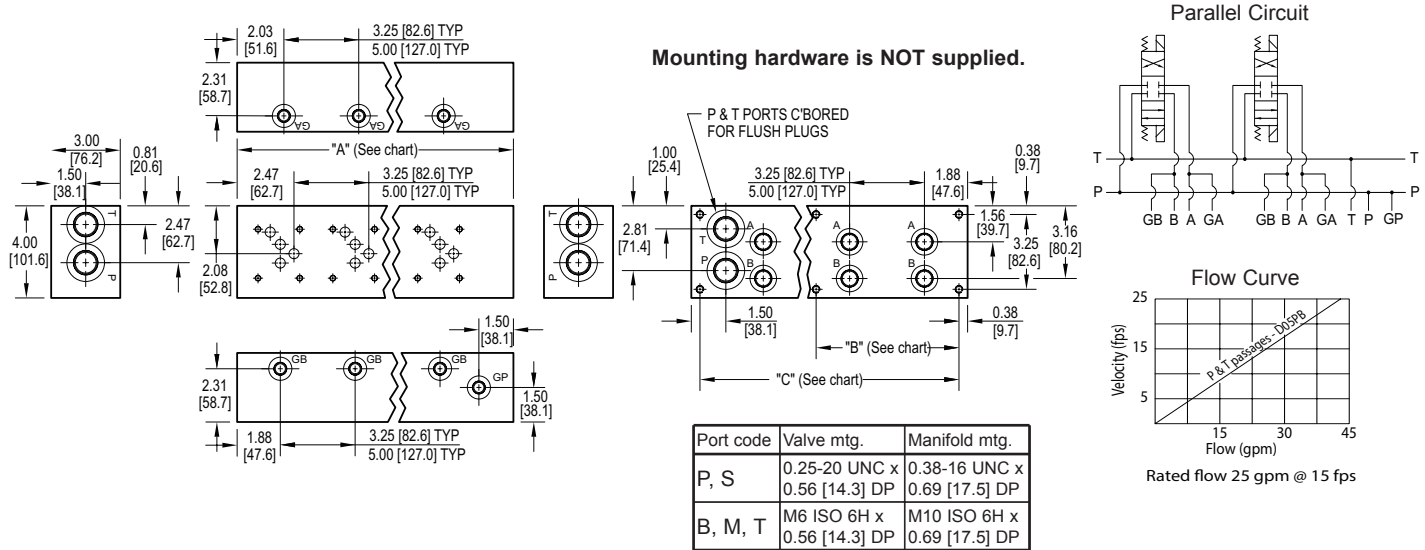
Cavity	
Omit if cavities not required	
C	One Common cavity: With solenoid clearance. C-10-2 (P in nose) For valves w/1" hex max.
CC	Two Common cavities: With solenoid clearance C-10-2 (P in nose) Available 03-21 stations with spacing code 3; Available 02-14 stations with spacing code 5. Not available in combination with isolation options.
S	One Sun Cavity: T-3A (P in nose) See Tech Info for valves.

Pressure Isolation	
Omit if P isolation not required	
PA...PJ	Available with spacing code 3
PA...PF	Available with spacing code 5

Tank Isolation	
Omit if T isolation not required	
TA...TJ	Available with spacing code 3
TA...TF	Available with spacing code 5

Cavity & Isolation Combinations	
Specify when using a combination of cavity and isolation options. Cavities do have solenoid clearance.	
L	Cavity is located left of the isolation.
R	Cavity is located right of the isolation.
D	Two cavities, one each side of isolation. (Use with cavity option codes C or S only.)

D05 Standard Flow Bottom Ported Manifold With A & B Test Ports



No. of stations	*01	02	03	04	05	06	07	08	09	10	No. of stations	02	03	04	05	06	07	08	09	10
"A" length - inch [mm]	5.00 [127.0]	8.25 [209.6]	11.50 [292.1]	14.75 [374.7]	18.00 [457.2]	21.25 [539.8]	24.50 [622.3]	27.75 [704.9]	31.00 [787.4]	34.25 [870.0]	"A" length - inch [mm]	10.00 [254.0]	15.00 [381.0]	20.00 [508.0]	25.00 [635.0]	30.00 [762.0]	35.00 [889.0]	40.00 [1016.0]	45.00 [1143.0]	50.00 [1270.0]
Code 3 spacing	--	--	--	--	--	9.63 [244.5]	9.63 [244.5]	12.88 [327.0]	12.88 [327.0]	16.13 [409.6]	"B" dim - inch [mm]	--	--	9.00 [228.6]	14.00 [355.6]	14.00 [355.6]	14.00 [355.6]	19.00 [482.6]	19.00 [482.6]	24.00 [609.6]
"B" dim - inch [mm]	4.25 [108.0]	7.50 [190.5]	10.75 [273.1]	14.00 [355.6]	17.25 [438.2]	20.50 [520.7]	23.75 [603.3]	27.00 [685.8]	30.25 [768.4]	33.50 [850.9]	Code 5 spacing	--	--	9.00 [228.6]	14.00 [355.6]	14.00 [355.6]	14.00 [355.6]	19.00 [482.6]	19.00 [482.6]	24.00 [609.6]
Code 3 spacing	1.50 [38.1]	1.50 [38.1]	1.50 [38.1]	1.50 [38.1]	1.50 [38.1]	1.50 [38.1]	1.50 [38.1]	1.50 [38.1]	1.50 [38.1]	1.50 [38.1]	"C" dim - inch [mm]	9.25 [235.0]	14.25 [362.0]	19.25 [489.0]	24.25 [616.0]	29.25 [743.0]	34.25 [870.0]	39.25 [997.0]	44.25 [1124.0]	49.25 [1251.0]
apx. weight alum lb [kg]	6 [3]	10 [4]	14 [6]	18 [8]	22 [10]	26 [12]	29 [13]	33 [15]	37 [17]	41 [19]	apx. weight alum lb [kg]	12 [5]	18 [8]	24 [11]	30 [14]	36 [16]	42 [19]	48 [22]	54 [24]	60 [27]
apx. weight ferrous lb [kg]	16 [7]	26 [12]	36 [16]	46 [21]	56 [25]	66 [30]	76 [35]	87 [39]	97 [44]	107 [48]	apx. weight ferrous lb [kg]	31 [14]	47 [21]	62 [28]	78 [35]	94 [42]	109 [49]	125 [57]	140 [64]	156 [71]

* Length of 01 station with relief cavity is 6.25 [158.8]

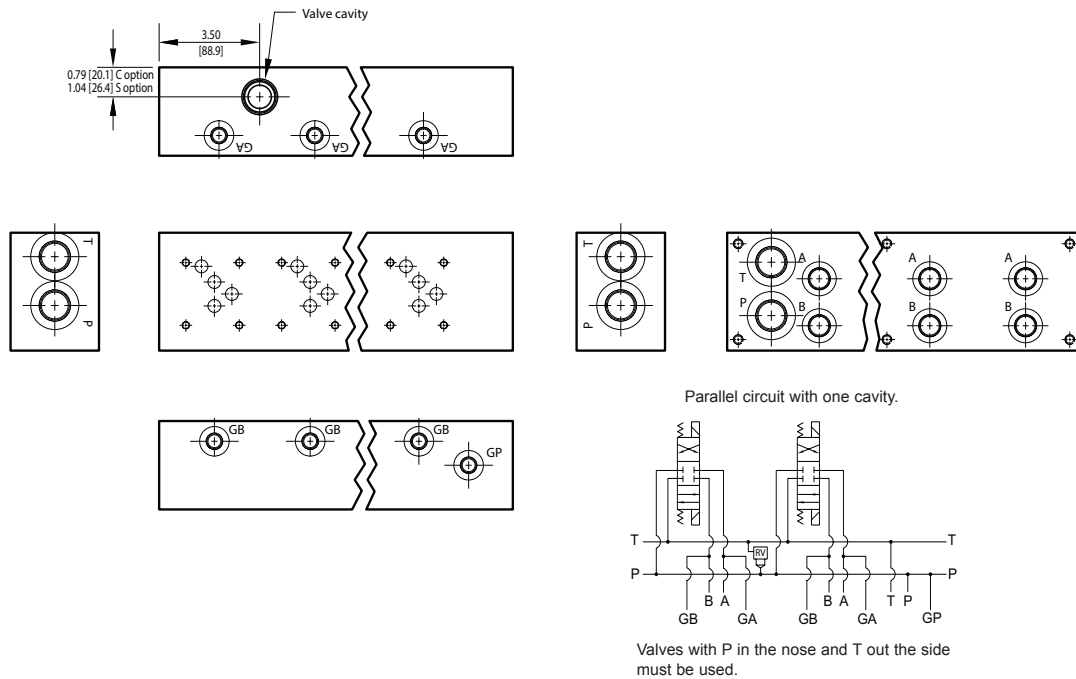
Specifications, descriptions, and dimensional data are subject to correction or change without notice or incurring obligation. Download latest catalog page revisions at www.daman.com.

For **coating options** see pages 245-246.

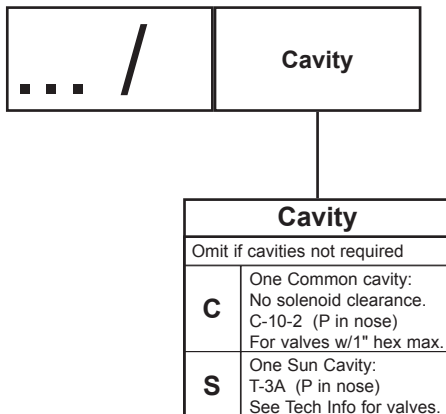
Ordering Information

Material	Valve Pattern	Circuit	No. of Stations	Valve Spacing	Port Threads	Options																																																																		
<table border="1"> <thead> <tr> <th colspan="2">Material</th> </tr> </thead> <tbody> <tr> <td>A</td> <td>Aluminum - 6061-T6 3000† psi • 20.7 MPa</td> </tr> <tr> <td>D</td> <td>Ductile Iron - D4512 5000† psi • 34.5 MPa</td> </tr> </tbody> </table> <p>† Working pressure should be considered in accordance with ISO 4413 to determine appropriate material type.</p>	Material		A	Aluminum - 6061-T6 3000† psi • 20.7 MPa	D	Ductile Iron - D4512 5000† psi • 34.5 MPa	<table border="1"> <thead> <tr> <th colspan="2">Valve Pattern</th> </tr> </thead> <tbody> <tr> <td>D05</td> <td>ISO 4401-05-04 NFFA T3.5.1-D05 See Tech Information</td> </tr> </tbody> </table>	Valve Pattern		D05	ISO 4401-05-04 NFFA T3.5.1-D05 See Tech Information	<table border="1"> <thead> <tr> <th colspan="2">Circuit</th> </tr> </thead> <tbody> <tr> <td>PB</td> <td>Parallel Circuit Standard Flow Bottom Ported</td> </tr> </tbody> </table>	Circuit		PB	Parallel Circuit Standard Flow Bottom Ported	<table border="1"> <thead> <tr> <th colspan="2">No. of Stations</th> </tr> </thead> <tbody> <tr> <td colspan="2">Aluminum</td> </tr> <tr> <td>01...10</td> <td>Available with spacing code 3</td> </tr> <tr> <td>02...10</td> <td>Available with spacing code 5</td> </tr> <tr> <td colspan="2">Ductile Iron</td> </tr> <tr> <td>01...10</td> <td>Available with spacing code 3</td> </tr> <tr> <td>02...10</td> <td>Available with spacing code 5</td> </tr> </tbody> </table>	No. of Stations		Aluminum		01...10	Available with spacing code 3	02...10	Available with spacing code 5	Ductile Iron		01...10	Available with spacing code 3	02...10	Available with spacing code 5	<table border="1"> <thead> <tr> <th colspan="2">Valve Spacing</th> </tr> </thead> <tbody> <tr> <td>3</td> <td>3.25 inch 82.6 mm</td> </tr> <tr> <td>5</td> <td>5.00 inch 127.0 mm</td> </tr> </tbody> </table>	Valve Spacing		3	3.25 inch 82.6 mm	5	5.00 inch 127.0 mm	<table border="1"> <thead> <tr> <th colspan="4">Port Threads</th> </tr> </thead> <tbody> <tr> <td>P</td> <td>NPTF • ANSI B1.20.3</td> <td>P & T</td> <td>0.75</td> </tr> <tr> <td>S</td> <td>SAE • ISO 11926</td> <td>A & B</td> <td>-12</td> </tr> <tr> <td>B</td> <td>BSPP • ISO 1179</td> <td>G*</td> <td>-8</td> </tr> <tr> <td>M</td> <td>ISO • ISO 6149</td> <td></td> <td>M27</td> </tr> <tr> <td>T</td> <td>BSPT • ISO 7</td> <td></td> <td>M18</td> </tr> <tr> <td></td> <td></td> <td></td> <td>M10</td> </tr> </tbody> </table>	Port Threads				P	NPTF • ANSI B1.20.3	P & T	0.75	S	SAE • ISO 11926	A & B	-12	B	BSPP • ISO 1179	G*	-8	M	ISO • ISO 6149		M27	T	BSPT • ISO 7		M18				M10	<table border="1"> <thead> <tr> <th colspan="2">Options</th> </tr> </thead> <tbody> <tr> <td colspan="2">See next page for available options and ordering codes.</td> </tr> </tbody> </table>	Options		See next page for available options and ordering codes.	
Material																																																																								
A	Aluminum - 6061-T6 3000† psi • 20.7 MPa																																																																							
D	Ductile Iron - D4512 5000† psi • 34.5 MPa																																																																							
Valve Pattern																																																																								
D05	ISO 4401-05-04 NFFA T3.5.1-D05 See Tech Information																																																																							
Circuit																																																																								
PB	Parallel Circuit Standard Flow Bottom Ported																																																																							
No. of Stations																																																																								
Aluminum																																																																								
01...10	Available with spacing code 3																																																																							
02...10	Available with spacing code 5																																																																							
Ductile Iron																																																																								
01...10	Available with spacing code 3																																																																							
02...10	Available with spacing code 5																																																																							
Valve Spacing																																																																								
3	3.25 inch 82.6 mm																																																																							
5	5.00 inch 127.0 mm																																																																							
Port Threads																																																																								
P	NPTF • ANSI B1.20.3	P & T	0.75																																																																					
S	SAE • ISO 11926	A & B	-12																																																																					
B	BSPP • ISO 1179	G*	-8																																																																					
M	ISO • ISO 6149		M27																																																																					
T	BSPT • ISO 7		M18																																																																					
			M10																																																																					
Options																																																																								
See next page for available options and ordering codes.																																																																								

Options - D05 Standard Flow Bottom Ported Manifold With A & B Test Ports



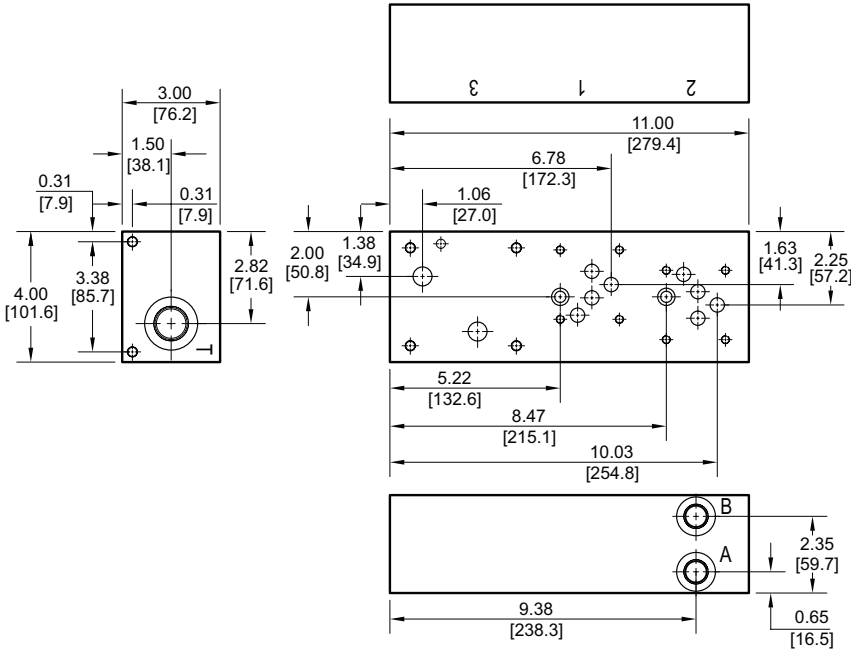
Ordering Information



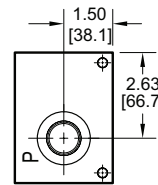
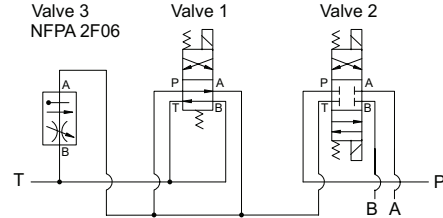
D05 Tank Line Feed Circuit Manifold

D05 Directional Valves 2F06 Flow Control Valve

Valve mtg: D05: UNC 0.25-20 x 0.50 DP
2F06: UNC 0.31-18 x 0.63 DP



“Meter Out” Tank Feed Circuit



Manifold Mounting:

Manifold bracket mounting kit is supplied. See page 64 for itemized mounting kit list.

Two SHCS clearance holes are provided for optional 5/16 (M8) SHCS mounting. Screws are user provided; minimum 3.00 in [75mm] long GR8 SHCS should be used.

Specifications, descriptions, and dimensional data are subject to correction or change without notice or incurring obligation. Download latest catalog page revisions at www.daman.com.

Ordering Information

Material	Valve Pattern	Circuit	Port Threads
----------	---------------	---------	--------------

For **coating options** see pages 245-246.

Material	
A	Aluminum - 6061-T6 3000 [†] psi • 20.7 MPa
D	Ductile Iron - D4512 5000 [†] psi • 34.5 MPa

[†] Working pressure should be considered in accordance with ISO 4413 to determine appropriate material type.

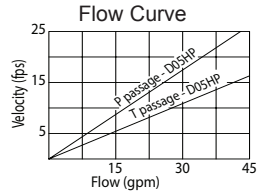
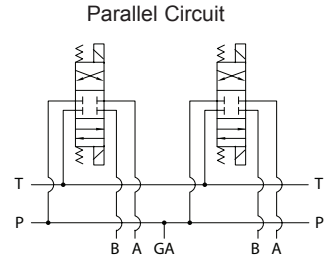
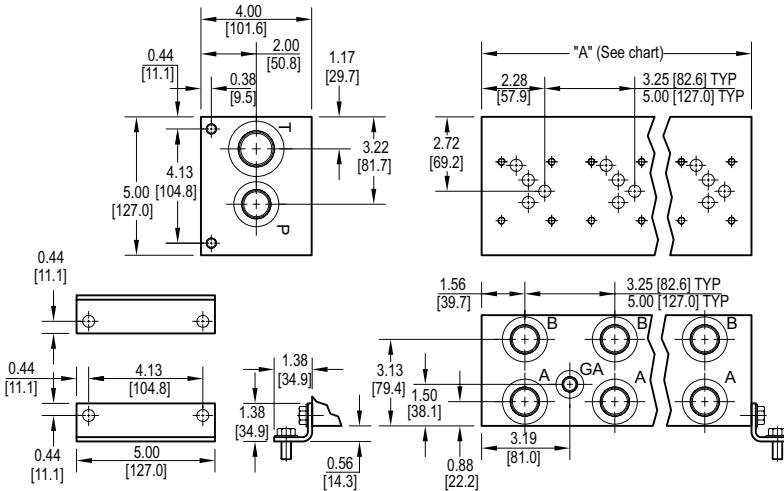
Circuit	
TF	Tank Line Feed Circuit

Valve Pattern	
D05	ISO 4401-05-04 NFFPA T3.5.1-D05 See Tech Information
	Flow Control Pattern (REF): 2F06 Pattern ISO 6263-06-05 NFFPA T3.5.1-2F06

Port Threads			
	P & T	A & B	
P	NPTF • ANSI B1.20.3	0.75	0.50
S	SAE • ISO 11926	-12	-8

D05 High Flow Parallel Circuit Manifolds 

D05 High Flow Parallel Circuit Manifold



Rated flow Pressure 25 gpm @ 15 fps
Rated flow Tank 41 gpm @ 15 fps

All mounting hardware is supplied. See page 64 for itemized list.

No. of stations	* 01	02	03	04	05	06	07	08	09	10	11	12	13	14	15	16	17	18	19	20	21
"A" length (code 3 spa.) inch [mm]	3.25 [82.6]	6.50 [165.1]	9.75 [247.7]	13.00 [330.2]	16.25 [412.8]	19.50 [495.3]	22.75 [577.9]	26.00 [660.4]	29.25 [743.0]	32.50 [825.5]	35.75 [908.1]	39.00 [990.6]	42.25 [1073.2]	45.50 [1155.7]	48.75 [1238.3]	52.00 [1320.8]	55.25 [1403.4]	58.50 [1485.9]	61.75 [1568.5]	65.00 [1651.0]	68.25 [1733.6]
apx. weight alum lb [kg]	7 [3]	12 [5]	17 [8]	22 [10]	27 [12]	33 [15]	38 [17]	43 [20]	48 [22]	53 [24]	58 [26]	63 [29]	68 [31]	74 [34]	79 [36]	84 [38]	89 [40]	94 [43]	99 [45]	104 [47]	110 [50]
apx. weight ferrous lb [kg]	19 [9]	38 [17]	57 [26]	75 [34]	85 [39]	113 [51]	132 [60]	151 [69]	170 [77]	189 [86]	208 [94]	226 [103]	245 [111]	264 [120]	283 [128]	302 [137]	320 [145]	339 [154]	358 [162]	377 [171]	396 [180]
"A" length (code 5 spa.) inch [mm]	--	8.25 [209.6]	13.25 [336.6]	18.25 [463.6]	23.25 [590.6]	28.25 [717.6]	33.25 [844.6]	38.25 [971.6]	43.25 [1098.6]	48.25 [1225.6]	53.25 [1352.6]	58.25 [1479.6]	63.25 [1606.6]	68.25 [1733.6]							
apx. weight alum lb [kg]	--	18 [8]	26 [12]	33 [15]	41 [19]	48 [22]	56 [25]	63 [29]	71 [32]	79 [36]	87 [39]	95 [43]	103 [47]	111 [50]							
apx. weight ferrous lb [kg]	--	48 [22]	77 [35]	106 [48]	135 [61]	164 [74]	188 [85]	222 [101]	251 [114]	280 [127]	309 [140]	338 [153]	367 [166]	396 [180]							
															Port code		Valve mtg.		Manifold mtg.		
															P, S		0.25-20 UNC x 0.75 [19] DP		0.38-16 UNC x 0.75 [19] DP		
															B, M, T		M6 ISO 6H x 0.75 [19] DP		M10 ISO 6H x 0.75 [19] DP		

* Length of 01 station with relief cavity is 4.50 [114.3]. Gauge port not available on 01 station.

Specifications, descriptions, and dimensional data are subject to correction or change without notice or incurring obligation. Download latest catalog page revisions at www.daman.com.

Ordering Information

For **coating options** see pages 245-246.

Material	Valve Pattern	Circuit	No. of Stations	Valve Spacing	Port Threads	/	Options
----------	---------------	---------	-----------------	---------------	--------------	---	---------

Material	
A	Aluminum - 6061-T6 3000† psi • 20.7 MPa
D	Ductile Iron - D4512 5000† psi • 34.5 MPa

† Working pressure should be considered in accordance with ISO 4413 to determine appropriate material type.

Circuit	
HP	Parallel Circuit High Flow

Valve Spacing	
3	3.25 inch 82.6 mm
5	5.00 inch 127.0 mm

Options
See next page for available options and ordering codes.

Valve Pattern	
D05	ISO 4401-05-04 NFPA T3.5.1-D05 See Tech Information

No. of Stations	
Aluminum	
01...21	Available with spacing code 3
02...14	Available with spacing code 5
Ductile Iron	
01...21	Available with spacing code 3
02...14	Available with spacing code 5

Port Threads	P,A,B	T	X,Y,L optional	GA
P	NPTF • ANSI B1.20.3	0.75	1.00	0.38 0.25
S	SAE • ISO 11926	-12	-16	-6 -6
B	BSPP • ISO 1179	0.75	1.00	0.38 none
M	ISO • ISO 6149	M27	M33	M14 none
T	BSPT • ISO 7	0.75	1.00	0.38 none

Options - D05 High Flow Parallel Manifold

Pilot port location dimensions vary on (1) station manifolds and manifolds with isolations. Contact Daman for cavity locations if critical.

Parallel Circuit with X & Y

Parallel Circuit with L

ISOLATIONS

Daman isolation options allow a manifold to have two independent pressure and/or tank ports. Isolations are drilled rather than plugged to ensure a leakproof and failproof isolation.

Ordering code letter:	* Isolation is between stations:	Available # of stations:
3.25 [82.6] spacing		
A	01 & 02	02-10
B	02 & 03	03-11
C	03 & 04	04-12
D	04 & 05	05-13
E	05 & 06	06-14
F	06 & 07	07-15
G	07 & 08	08-16
H	08 & 09	09-17
J	09 & 10	10-18
5.00 [127.0] spacing		
A	01 & 02	02-07
B	02 & 03	03-08
C	03 & 04	04-09
D	04 & 05	05-10
E	05 & 06	06-11
F	06 & 07	07-12

* Stations are numbered left to right.

NOTES:

- The GA port is not available on a (1) station manifold.
- The GA port is not available when a pressure isolation is located between stations 1 & 2.
- Some cavity and isolation combinations are not possible. Consult factory to determine availability.

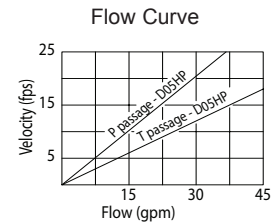
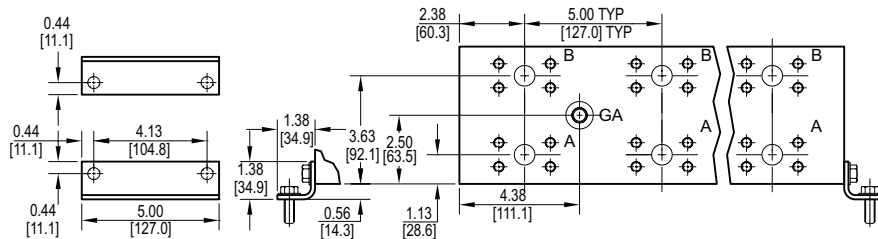
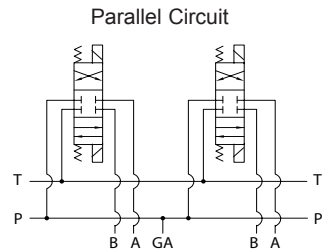
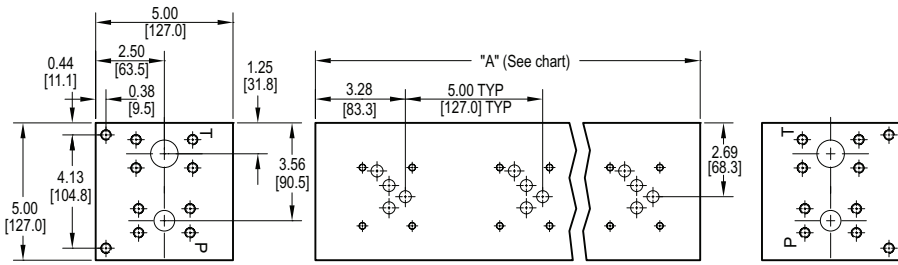
Parallel Circuit with Cavity **Parallel Circuit with Isolations** **Cavity & Isolation Combinations**

Valves with P in the nose and T out the side must be used. Manifold shown with P isolation between 1 & 2 (PA), and T isolation between 2 & 3 (TB). Option code L Cavity left of isolation Option code R Cavity right of isolation Option code D includes both cavities

Ordering Information

Pilot Ports	Cavity	Pressure Isolation	Tank Isolation	Cavity & Isolation Combinations																																																				
<table border="1"> <thead> <tr> <th colspan="2">Pilot Ports</th> </tr> </thead> <tbody> <tr> <td>Omit if pilot ports not required</td> <td></td> </tr> <tr> <td>1</td> <td>X port (USA std) NFFPA T3.5.1-D05 Alt-B</td> </tr> <tr> <td>3</td> <td>Y port (USA std) NFFPA T3.5.1-D05 Alt-B</td> </tr> <tr> <td>13</td> <td>X & Y ports (USA std) NFFPA T3.5.1-D05 Alt-B</td> </tr> <tr> <td>2</td> <td>X port ISO 4401-05-05 NFFPA T3.5.1-D05 Alt-A</td> </tr> <tr> <td>4</td> <td>Y port ISO 4401-05-05 NFFPA T3.5.1-D05 Alt-A</td> </tr> <tr> <td>24</td> <td>X & Y ports ISO 4401-05-05 NFFPA T3.5.1-D05 Alt-A</td> </tr> <tr> <td>5</td> <td>L ports Proportional valves</td> </tr> </tbody> </table> <p>Pilot ports available from 01-11 stations (3.25 spacing); 02-07 stations (5.00 spacing)</p>	Pilot Ports		Omit if pilot ports not required		1	X port (USA std) NFFPA T3.5.1-D05 Alt-B	3	Y port (USA std) NFFPA T3.5.1-D05 Alt-B	13	X & Y ports (USA std) NFFPA T3.5.1-D05 Alt-B	2	X port ISO 4401-05-05 NFFPA T3.5.1-D05 Alt-A	4	Y port ISO 4401-05-05 NFFPA T3.5.1-D05 Alt-A	24	X & Y ports ISO 4401-05-05 NFFPA T3.5.1-D05 Alt-A	5	L ports Proportional valves	<table border="1"> <thead> <tr> <th colspan="2">Cavity</th> </tr> </thead> <tbody> <tr> <td>Omit if cavity not required</td> <td></td> </tr> <tr> <td>C</td> <td>Common cavity: With solenoid clearance. C-10-2 (P in nose) For valves w/1" hex max.</td> </tr> <tr> <td>S</td> <td>Sun Cavity T-3A (P in nose) See Tech Info for valves.</td> </tr> </tbody> </table>	Cavity		Omit if cavity not required		C	Common cavity: With solenoid clearance. C-10-2 (P in nose) For valves w/1" hex max.	S	Sun Cavity T-3A (P in nose) See Tech Info for valves.	<table border="1"> <thead> <tr> <th colspan="2">Pressure Isolation</th> </tr> </thead> <tbody> <tr> <td>Omit if P isolation not required</td> <td></td> </tr> <tr> <td>PA...PJ</td> <td>Available with spacing code 3</td> </tr> <tr> <td>PA...PF</td> <td>Available with spacing code 5</td> </tr> </tbody> </table>	Pressure Isolation		Omit if P isolation not required		PA...PJ	Available with spacing code 3	PA...PF	Available with spacing code 5	<table border="1"> <thead> <tr> <th colspan="2">Tank Isolation</th> </tr> </thead> <tbody> <tr> <td>Omit if T isolation not required</td> <td></td> </tr> <tr> <td>TA...TJ</td> <td>Available with spacing code 3</td> </tr> <tr> <td>TA...TF</td> <td>Available with spacing code 5</td> </tr> </tbody> </table>	Tank Isolation		Omit if T isolation not required		TA...TJ	Available with spacing code 3	TA...TF	Available with spacing code 5	<table border="1"> <thead> <tr> <th colspan="2">Cavity & Isolation Combinations</th> </tr> </thead> <tbody> <tr> <td colspan="2">Specify when using a combination of cavity and isolation options. Cavities do have solenoid clearance.</td> </tr> <tr> <td>L</td> <td>Relief cavity is located left of the isolation.</td> </tr> <tr> <td>R</td> <td>Relief cavity is located right of the isolation.</td> </tr> <tr> <td>D</td> <td>Two relief cavities, one each side of isolation.</td> </tr> </tbody> </table>	Cavity & Isolation Combinations		Specify when using a combination of cavity and isolation options. Cavities do have solenoid clearance.		L	Relief cavity is located left of the isolation.	R	Relief cavity is located right of the isolation.	D	Two relief cavities, one each side of isolation.
Pilot Ports																																																								
Omit if pilot ports not required																																																								
1	X port (USA std) NFFPA T3.5.1-D05 Alt-B																																																							
3	Y port (USA std) NFFPA T3.5.1-D05 Alt-B																																																							
13	X & Y ports (USA std) NFFPA T3.5.1-D05 Alt-B																																																							
2	X port ISO 4401-05-05 NFFPA T3.5.1-D05 Alt-A																																																							
4	Y port ISO 4401-05-05 NFFPA T3.5.1-D05 Alt-A																																																							
24	X & Y ports ISO 4401-05-05 NFFPA T3.5.1-D05 Alt-A																																																							
5	L ports Proportional valves																																																							
Cavity																																																								
Omit if cavity not required																																																								
C	Common cavity: With solenoid clearance. C-10-2 (P in nose) For valves w/1" hex max.																																																							
S	Sun Cavity T-3A (P in nose) See Tech Info for valves.																																																							
Pressure Isolation																																																								
Omit if P isolation not required																																																								
PA...PJ	Available with spacing code 3																																																							
PA...PF	Available with spacing code 5																																																							
Tank Isolation																																																								
Omit if T isolation not required																																																								
TA...TJ	Available with spacing code 3																																																							
TA...TF	Available with spacing code 5																																																							
Cavity & Isolation Combinations																																																								
Specify when using a combination of cavity and isolation options. Cavities do have solenoid clearance.																																																								
L	Relief cavity is located left of the isolation.																																																							
R	Relief cavity is located right of the isolation.																																																							
D	Two relief cavities, one each side of isolation.																																																							

D05 High Flow Parallel Circuit Manifold - Flange Ports



Rated flow Pressure 21 gpm @ 15 fps
Rated flow Tank 37 gpm @ 15 fps

All mounting hardware is supplied. See page 64 for itemized list.

No. of stations	* 01	02	03	04	05	06	07	08	09	10
"A" length inch [mm]	5.00 [127.0]	10.00 [254.0]	15.00 [381.0]	20.00 [508.0]	25.00 [635.0]	30.00 [762.0]	35.00 [889.0]	40.00 [1016.0]	45.00 [1143.0]	50.00 [1270.0]
apx. weight alum lb [kg]	13 [5.7]	25 [11]	38 [17]	50 [23]	63 [28]	75 [34]	88 [40]	100 [45]	112 [51]	125 [57]
apx. weight ferrous lb [kg]	34 [15.3]	68 [31]	101 [46]	135 [61]	169 [77]	203 [92]	236 [107]	270 [123]	304 [138]	338 [153]

Port code	Valve mtg.	Manifold mtg.	Flange mtg.	GA Port	Pilot Ports *
F	0.25-20 UNC x 0.75 [19] DP	0.38-16 UNC x 0.75 [19] DP	ISO 6162 Type II - Inch	-6 SAE J1926	-6 SAE J1926
F / M	M6 ISO 6H x 0.75 [19] DP	M10 ISO 6H x 0.75 [19] DP	ISO 6162 Type I - metric	NONE	M14 ISO 6149

* Length of 01 station with relief cavity or pilot port options increases to 5.75 [146.1].

* Pilot ports are optional. See options on next page.

Specifications, descriptions, and dimensional data are subject to correction or change without notice or incurring obligation. Download latest catalog page revisions at www.daman.com.

Ordering Information

For **coating options** see pages 245-246.

Material	Valve Pattern	Circuit	No. of Stations	Valve Spacing	Port Threads	/	Options
----------	---------------	---------	-----------------	---------------	--------------	---	---------

Material	
A	Aluminum - 6061-T6 3000 [†] psi • 20.7 MPa
D	Ductile Iron - D4512 5000 [†] psi • 34.5 MPa

[†] Working pressure should be considered in accordance with ISO 4413 to determine appropriate material type.

Circuit	
HP	Parallel Circuit High Flow

Valve Spacing	
5	5.00 inch 127.0 mm

Options	
See next page for available options and ordering codes.	

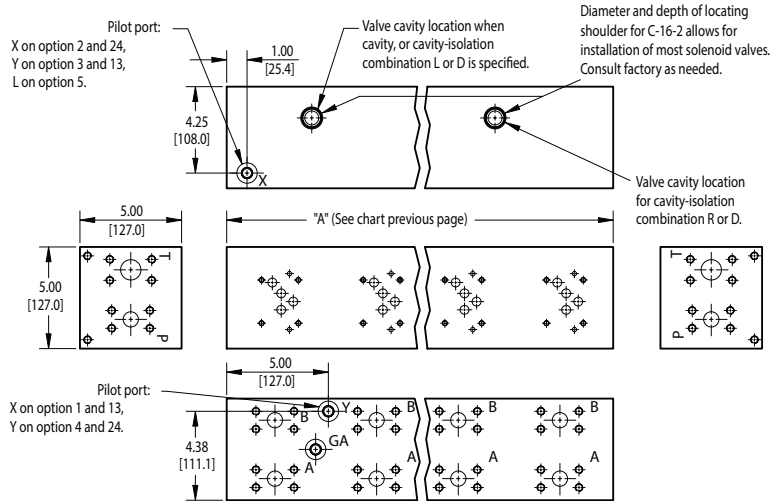
Valve Pattern	
D05	ISO 4401-05-04 NFPA T3.5.1-D05 See Tech Information

No. of Stations	
Aluminum	
01...10	Available with spacing code 5
Ductile Iron	
01...10	Available with spacing code 5

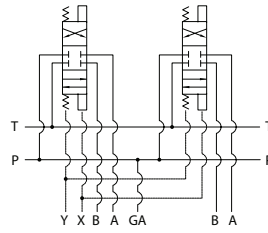
Port Threads		
	P,A,B	T
F	CODE 61 4-Bolt Flange SAE J518 - CODE 61 ISO 6162 - 2.5 to 35 MPa	1.00 CODE 61

Options - D05 High Flow Parallel Manifold Flange Ports

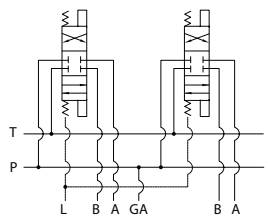
Contact Daman for cavity locations if critical.



Parallel Circuit with X & Y



Parallel Circuit with L



ISOLATIONS

Daman isolation options allow a manifold to have two independent pressure and/or tank ports. Isolations are drilled rather than plugged to ensure a leakproof and failproof isolation.

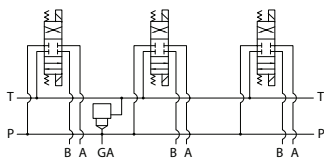
Ordering code letter:	* Isolation is between stations:	Available # of stations:
A	01 & 02	02-08
B	02 & 03	03-09
C	03 & 04	04-10
D	04 & 05	05-10
E	05 & 06	06-10
F	06 & 07	07-10
G	07 & 08	08-10
H	08 & 09	09-10

* Stations are numbered left to right.

NOTES:

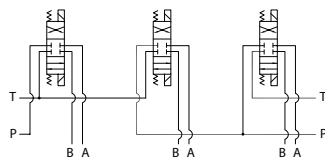
- The GA port is not available when a pressure isolation is located between stations 1 & 2.

Parallel Circuit with Cavity



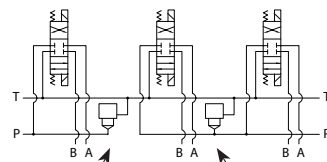
Valves with P in the nose and T out the side must be used.

Parallel Circuit with Isolations



Manifold shown with P isolation between 1 & 2 (PA), and T isolation between 2 & 3 (TB).

Cavity & Isolation Combinations



Option code L Cavity left of isolation
Option code R Cavity right of isolation
Option code D includes both cavities

Ordering Information

...	Thread Type	Pilot Ports	Cavity	Pressure Isolation	Tank Isolation	Cavity & Isolation Combinations
-----	-------------	-------------	--------	--------------------	----------------	---------------------------------

Thread Type	
Omit	Inch threads / ports
M	Metric threads / ports

Pilot Ports	
Omit if pilot ports not required	
1	X port (USA std) NFFPA T3.5.1-D05 Alt-B
3	Y port (USA std) NFFPA T3.5.1-D05 Alt-B
13	X & Y ports (USA std) NFFPA T3.5.1-D05 Alt-B
2	X port ISO 4401-05-05 NFFPA T3.5.1-D05 Alt-A
4	Y port ISO 4401-05-05 NFFPA T3.5.1-D05 Alt-A
24	X & Y ports ISO 4401-05-05 NFFPA T3.5.1-D05 Alt-A
5	L ports Proportional valves

Pilot ports available from 01-08 stations

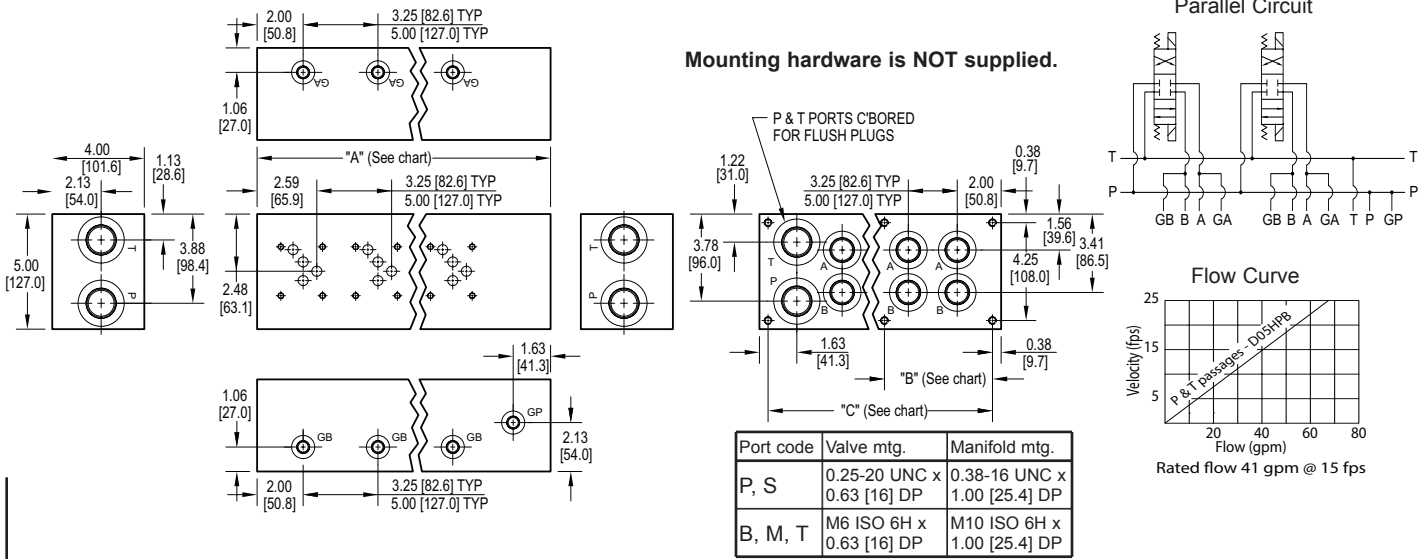
Cavity	
Omit if cavity not required	
C	Common cavity: C-16-2 (P in nose)
S	Sun Cavity: T-3A (P in nose) See Tech Info for valves.

Tank Isolation	
Omit if T isolation not required	
TA...TH	Available with spacing code 5

Pressure Isolation	
Omit if P isolation not required	
PA...PH	Available with spacing code 5

Cavity & Isolation Combinations	
Specify when using a combination of cavity and isolation options. Cavities do have solenoid clearance.	
L	Relief cavity is located left of the isolation.
R	Relief cavity is located right of the isolation.
D	Two relief cavities, one each side of isolation.

D05 High Flow Bottom Ported Manifold With A & B Test Ports



No. of stations	01	02	03	04	05	06	07	08	09	10	No. of stations	02	03	04	05	06
"A" length (code 3 spa.) inch [mm]	5.75 [146.1]	9.00 [228.6]	12.25 [311.2]	15.50 [393.7]	18.75 [476.3]	22.00 [558.8]	25.25 [641.4]	28.50 [723.9]	31.75 [806.5]	35.00 [889.0]	"A" length (code 5 spa.) inch [mm]	10.75 [273.1]	15.75 [400.1]	20.75 [527.1]	25.75 [654.1]	30.75 [781.1]
"B" dim (code 3 spa.) inch [mm]	--	--	--	--	--	9.75 [247.7]	13.00 [330.2]	13.00 [330.2]	16.25 [412.8]	16.25 [412.8]	"B" dim (code 5 spa.) inch [mm]	--	--	9.00 [228.6]	9.00 [228.6]	14.00 [355.6]
"C" dim (code 3 spa.) inch [mm]	5.00 [127.0]	8.25 [209.6]	11.50 [292.1]	14.75 [374.7]	18.00 [457.2]	21.25 [539.8]	24.50 [622.3]	27.75 [704.9]	31.00 [787.4]	34.25 [870.0]	"C" dim (code 5 spa.) inch [mm]	10.00 [254.0]	15.00 [381.0]	20.00 [508.0]	25.00 [635.0]	30.00 [762.0]
apx. weight alum lb [kg]	12 [5]	18 [8]	25 [11]	31 [14]	38 [17]	44 [20]	51 [23]	57 [26]	64 [29]	70 [32]	apx. weight alum lb [kg]	22 [10]	32 [14]	42 [19]	52 [23]	62 [28]
apx. weight ferrous lb [kg]	30 [14]	47 [21]	64 [29]	81 [37]	98 [44]	114 [52]	131 [60]	148 [67]	165 [75]	182 [82]	apx. weight ferrous lb [kg]	56 [25]	82 [37]	108 [49]	134 [61]	160 [73]

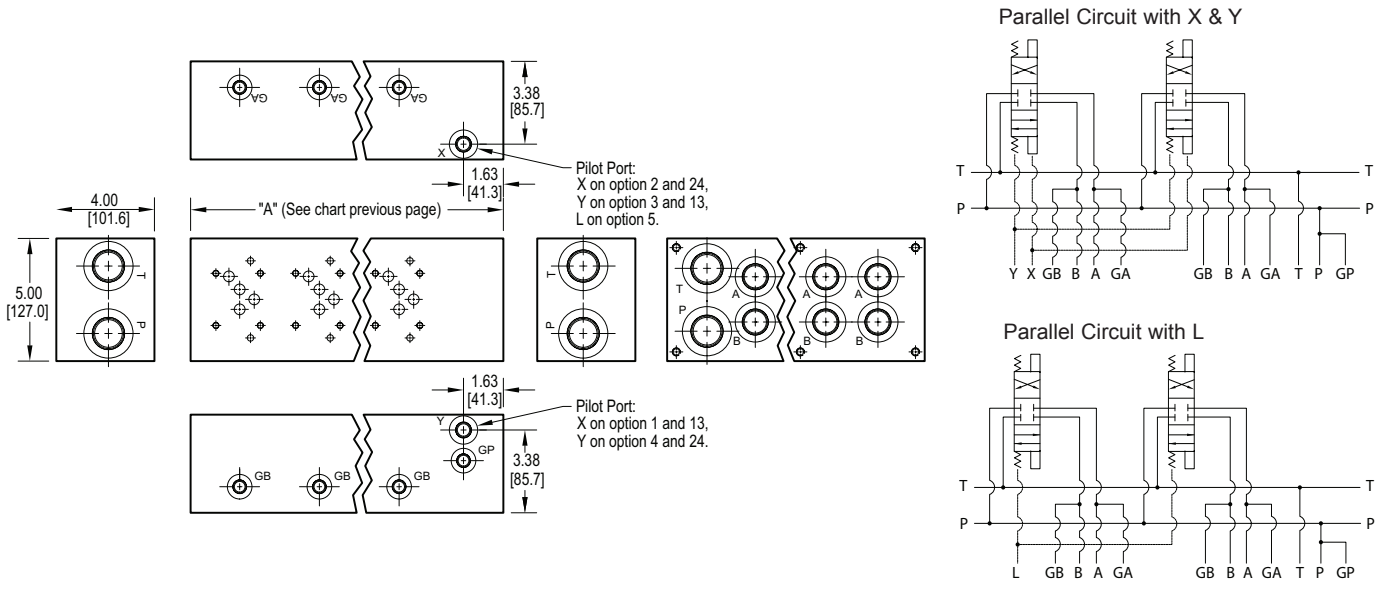
Specifications, descriptions, and dimensional data are subject to correction or change without notice or incurring obligation. Download latest catalog page revisions at www.daman.com.

For **coating options** see pages 245-246.

Ordering Information

Material	Valve Pattern	Circuit	No. of Stations	Valve Spacing	Port Threads	Options																																																																																
<table border="1"> <thead> <tr> <th colspan="2">Material</th> </tr> </thead> <tbody> <tr> <td>A</td> <td>Aluminum - 6061-T6 3000† psi • 20.7 MPa</td> </tr> <tr> <td>D</td> <td>Ductile Iron - D4512 5000† psi • 34.5 MPa</td> </tr> </tbody> </table> <p>† Working pressure should be considered in accordance with ISO 4413 to determine appropriate material type.</p>	Material		A	Aluminum - 6061-T6 3000† psi • 20.7 MPa	D	Ductile Iron - D4512 5000† psi • 34.5 MPa	<table border="1"> <thead> <tr> <th colspan="2">Valve Pattern</th> </tr> </thead> <tbody> <tr> <td>D05</td> <td>ISO 4401-05-04 NFFA T3.5.1-D05 See Tech Information</td> </tr> </tbody> </table>	Valve Pattern		D05	ISO 4401-05-04 NFFA T3.5.1-D05 See Tech Information	<table border="1"> <thead> <tr> <th colspan="2">Circuit</th> </tr> </thead> <tbody> <tr> <td>HPB</td> <td>Parallel Circuit High Flow Bottom Ported</td> </tr> </tbody> </table>	Circuit		HPB	Parallel Circuit High Flow Bottom Ported	<table border="1"> <thead> <tr> <th colspan="2">No. of Stations</th> </tr> </thead> <tbody> <tr> <td colspan="2">Aluminum</td> </tr> <tr> <td>01...10</td> <td>Available with spacing code 3</td> </tr> <tr> <td>02...06</td> <td>Available with spacing code 5</td> </tr> <tr> <td colspan="2">Ductile Iron</td> </tr> <tr> <td>01...10</td> <td>Available with spacing code 3</td> </tr> <tr> <td>02...06</td> <td>Available with spacing code 5</td> </tr> </tbody> </table>	No. of Stations		Aluminum		01...10	Available with spacing code 3	02...06	Available with spacing code 5	Ductile Iron		01...10	Available with spacing code 3	02...06	Available with spacing code 5	<table border="1"> <thead> <tr> <th colspan="2">Valve Spacing</th> </tr> </thead> <tbody> <tr> <td>3</td> <td>3.25 inch 82.6 mm</td> </tr> <tr> <td>5</td> <td>5.00 inch 127.0 mm</td> </tr> </tbody> </table>	Valve Spacing		3	3.25 inch 82.6 mm	5	5.00 inch 127.0 mm	<table border="1"> <thead> <tr> <th colspan="6">Port Threads</th> </tr> </thead> <tbody> <tr> <th>P</th> <th>P & T</th> <th>A & B</th> <th>X,Y,L optional</th> <th colspan="2">G*</th> </tr> <tr> <td>P</td> <td>NPTF • ANSI B1.20.3</td> <td>1.00</td> <td>0.75</td> <td>0.38</td> <td>0.25</td> </tr> <tr> <td>S</td> <td>SAE • ISO 11926</td> <td>-16</td> <td>-12</td> <td>-6</td> <td>-4</td> </tr> <tr> <td>B</td> <td>BSPP • ISO 1179</td> <td>1.00</td> <td>0.75</td> <td>0.38</td> <td>0.25</td> </tr> <tr> <td>M</td> <td>ISO • ISO 6149</td> <td>M33</td> <td>M27</td> <td>M14</td> <td>M10</td> </tr> <tr> <td>T</td> <td>BSPT • ISO 7</td> <td>1.00</td> <td>0.75</td> <td>0.38</td> <td>0.25</td> </tr> </tbody> </table>	Port Threads						P	P & T	A & B	X,Y,L optional	G*		P	NPTF • ANSI B1.20.3	1.00	0.75	0.38	0.25	S	SAE • ISO 11926	-16	-12	-6	-4	B	BSPP • ISO 1179	1.00	0.75	0.38	0.25	M	ISO • ISO 6149	M33	M27	M14	M10	T	BSPT • ISO 7	1.00	0.75	0.38	0.25	<table border="1"> <thead> <tr> <th colspan="2">Options</th> </tr> </thead> <tbody> <tr> <td colspan="2">See next page for available options and ordering codes.</td> </tr> </tbody> </table>	Options		See next page for available options and ordering codes.	
Material																																																																																						
A	Aluminum - 6061-T6 3000† psi • 20.7 MPa																																																																																					
D	Ductile Iron - D4512 5000† psi • 34.5 MPa																																																																																					
Valve Pattern																																																																																						
D05	ISO 4401-05-04 NFFA T3.5.1-D05 See Tech Information																																																																																					
Circuit																																																																																						
HPB	Parallel Circuit High Flow Bottom Ported																																																																																					
No. of Stations																																																																																						
Aluminum																																																																																						
01...10	Available with spacing code 3																																																																																					
02...06	Available with spacing code 5																																																																																					
Ductile Iron																																																																																						
01...10	Available with spacing code 3																																																																																					
02...06	Available with spacing code 5																																																																																					
Valve Spacing																																																																																						
3	3.25 inch 82.6 mm																																																																																					
5	5.00 inch 127.0 mm																																																																																					
Port Threads																																																																																						
P	P & T	A & B	X,Y,L optional	G*																																																																																		
P	NPTF • ANSI B1.20.3	1.00	0.75	0.38	0.25																																																																																	
S	SAE • ISO 11926	-16	-12	-6	-4																																																																																	
B	BSPP • ISO 1179	1.00	0.75	0.38	0.25																																																																																	
M	ISO • ISO 6149	M33	M27	M14	M10																																																																																	
T	BSPT • ISO 7	1.00	0.75	0.38	0.25																																																																																	
Options																																																																																						
See next page for available options and ordering codes.																																																																																						

Options - D05 High Flow Bottom Ported Manifold With A & B Test Ports



Ordering Information



Pilot Ports	
Omit if pilot ports not required	
1	X port (USA std) NFPA T3.5.1-D05 Alt-B
3	Y port (USA std) NFPA T3.5.1-D05 Alt-B
13	X & Y ports (USA std) NFPA T3.5.1-D05 Alt-B
2	X port ISO 4401-05-05 NFPA T3.5.1-D05 Alt-A
4	Y port ISO 4401-05-05 NFPA T3.5.1-D05 Alt-A
24	X & Y ports ISO 4401-05-05 NFPA T3.5.1-D05 Alt-A
5	L ports Proportional valves

This page intentionally blank.



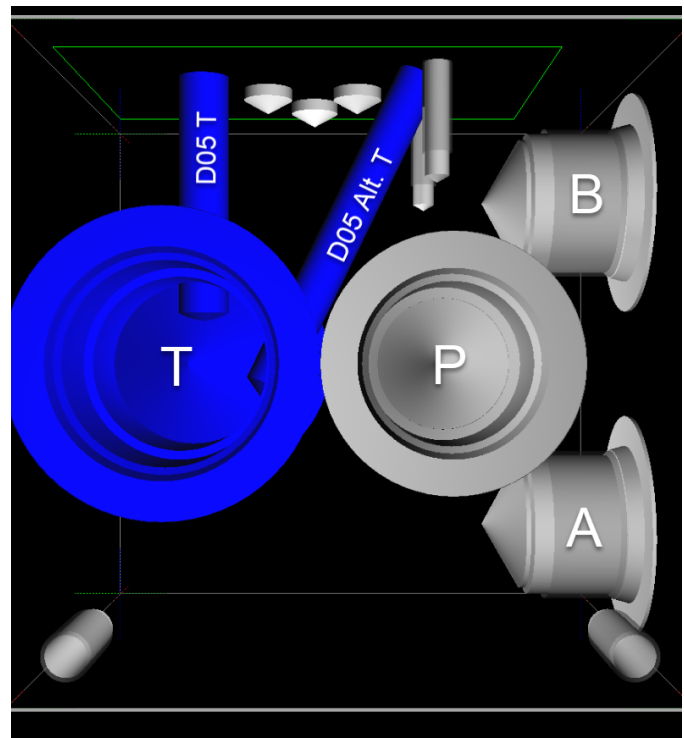
D05J SOLUTIONS

D05 valve pattern machined with alternate T port improves flow & reduces pressure drop.

By machining the 2nd tank port, aka Alternate T or T_b, to the D05 pattern, we are able to double the return flow from the valve back to the main tank gallery while reducing the pressure drop (Delta P) that commonly exists in high-flow D05 applications on manifolds.

Why choose D05J manifold solutions?

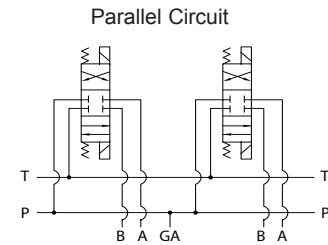
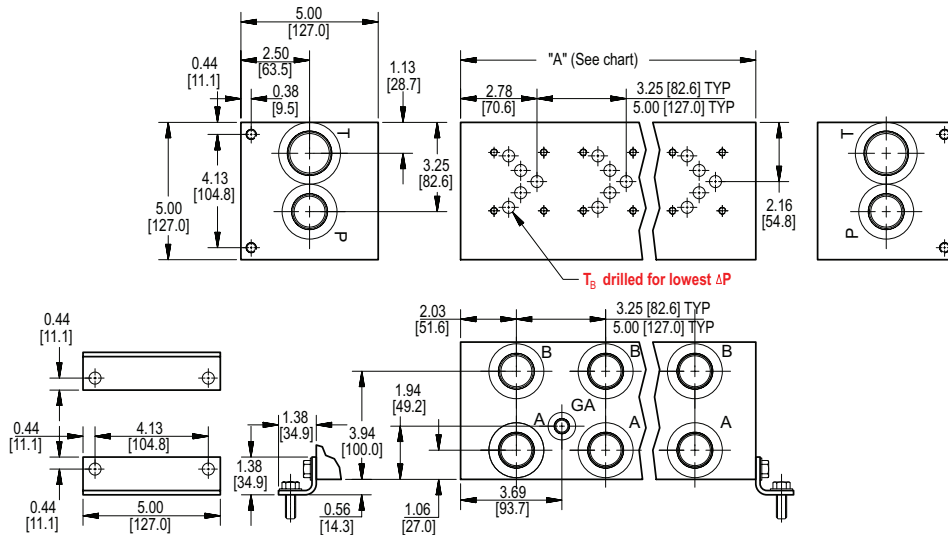
- Extra high return flow
- Reduced valve footprint
- Reduced pressure drop
- Flow rates equivalent to D07
- Extra-large termination ports throughout the manifold facilitates the increased flow potential and need for reduced pressure drop.



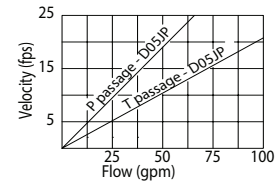
CONTACT US AT INFO@DAMAN.COM TO LEARN MORE

D05J Extra High Flow Parallel Circuit Manifold

Delta P Reduced Thru Valve Pattern



Parallel Circuit



Rated flow Pressure 41 gpm @ 15 fps
Rated flow Tank 72 gpm @ 15 fps

No. of stations	* 01	02	03	04	05	06	07	08	09	10
"A" length (code 3 spa.) inch [mm]	4.25 [108.0]	7.50 [190.5]	10.75 [273.1]	14.00 [355.6]	17.25 [438.2]	20.50 [520.7]	23.75 [603.3]	27.00 [685.8]	30.25 [768.4]	33.50 [850.9]
apx. weight alum lb [kg]	10 [5]	18 [8]	26 [12]	35 [16]	43 [20]	51 [23]	59 [27]	67 [30]	75 [34]	83 [38]
apx. weight ferrous lb [kg]	27 [12]	48 [22]	69 [31]	91 [41]	112 [51]	133 [60]	154 [70]	175 [79]	196 [89]	217 [99]
"A" length (code 5 spa.) inch [mm]	--	9.25 [235.0]	14.25 [362.0]	19.25 [489.0]	24.25 [616.0]	29.25 [743.0]				
apx. weight alum lb [kg]	--	23 [10]	35 [16]	48 [22]	60 [27]	73 [33]				
apx. weight ferrous lb [kg]	--	60 [27.2]	92 [41.8]	125 [56.8]	157 [71.3]	190 [86.3]				

* Length of 01 station with relief cavity is 5.50 [139.7]. Gauge port not available on 01 station.

All mounting hardware is supplied.
See page 65 for itemized list.

Port code	Valve mtg.	Manifold mtg.
P, S	0.25-20 UNC x 0.75 [19] DP	0.38-16 UNC x 0.75 [19] DP
B, M, T	M6 ISO 6H x 0.75 [19] DP	M10 ISO 6H x 0.75 [19] DP

Specifications, descriptions, and dimensional data are subject to correction or change without notice or incurring obligation. Download latest catalog page revisions at www.daman.com.

Ordering Information

For **coating options**
see pages 245-246.

Material	Valve Pattern	Circuit	No. of Stations	Valve Spacing	Port Threads	Options
----------	---------------	---------	-----------------	---------------	--------------	---------

Material	
A	Aluminum - 6061-T6 3000 [†] psi • 20.7 MPa
D	Ductile Iron - D4512 5000 [†] psi • 34.5 MPa

[†] Working pressure should be considered in accordance with ISO 4413 to determine appropriate material type.

Circuit	
JP	Parallel Circuit Extra High Flow

Valve Spacing	
3	3.25 inch 82.6 mm
5	5.00 inch 127.0 mm

Options	
See next page for available options and ordering codes.	

Valve Pattern	
D05	ISO 4401-05-04 NFFPA T3.5.1-D05 See Tech Information

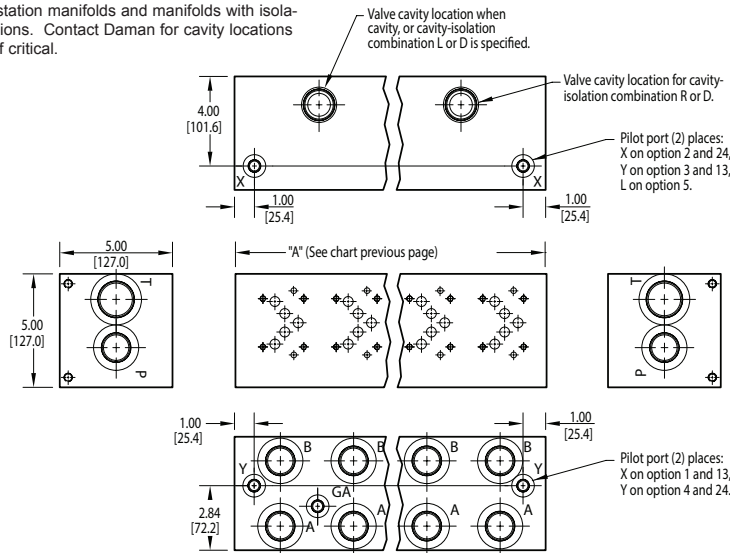
No. of Stations	
Aluminum	
01...10	Available with spacing code 3
02...06	Available with spacing code 5
Ductile Iron	
01...10	Available with spacing code 3
02...06	Available with spacing code 5

Port Threads	P,A,B	T	X,Y,L optional	GA	
P	NPTF • ANSI B1.20.3	1.00	1.25	0.38	0.25
S	SAE • ISO 11926	-16	-20	-6	-6
B	BSPP • ISO 1179	1.00	1.25	0.38	none
M	ISO • ISO 6149	M33	M42	M14	none
T	BSPT • ISO 7	1.00	1.25	0.38	none

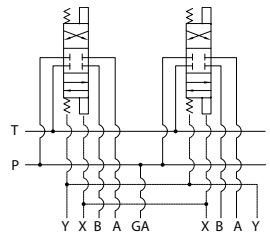
Options - D05J Extra High Flow Parallel Manifold

Delta P Reduced Thru Valve Pattern

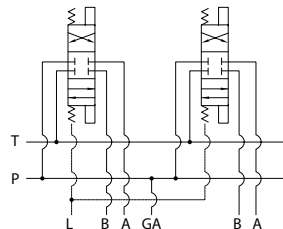
Pilot port location dimensions vary on (1) station manifolds and manifolds with isolations. Contact Daman for cavity locations if critical.



Parallel Circuit with X & Y



Parallel Circuit with L



ISOLATIONS

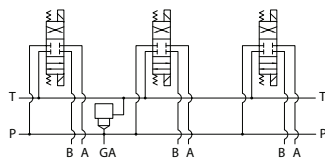
Daman isolation options allow a manifold to have two independent pressure and/or tank ports. Isolations are drilled rather than plugged to ensure a leakproof and failproof isolation.

Ordering code letter:	* Isolation is between stations:	Available # of stations:
3.25 [82.6] spacing		
A	01 & 02	02-10
B	02 & 03	03-10
C	03 & 04	04-10
D	04 & 05	05-10
E	05 & 06	06-10
F	06 & 07	07-10
G	07 & 08	08-10
H	08 & 09	09-10
J	09 & 10	10

5.00 [127.0] spacing		
A	01 & 02	02-06
B	02 & 03	03-06
C	03 & 04	04-06
D	04 & 05	05-06
E	05 & 06	06

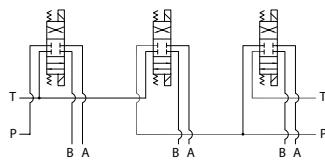
* Stations are numbered left to right.

Parallel Circuit with Cavity



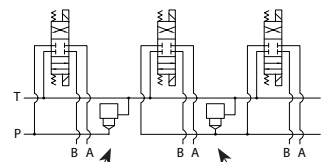
Valves with P in the nose and T out the side must be used.

Parallel Circuit with Isolations



Manifold shown with P isolation between 1 & 2 (PA), and T isolation between 2 & 3 (TB).

Cavity & Isolation Combinations



Option code L
Cavity left of isolation
Option code R
Cavity right of isolation
Option code D includes both cavities

NOTES:

- 1) The GA port is not available on a (1) station manifold.
- 2) The GA port is not available when a pressure isolation is located between stations 1 & 2.
- 3) Some cavity and isolation combinations are not possible. Consult factory to determine availability.

Ordering Information

Pilot Ports	Cavity	Pressure Isolation	Tank Isolation	Cavity & Isolation Combinations
-------------	--------	--------------------	----------------	---------------------------------

Pilot Ports	
Omit if pilot ports not required	
1	X port (USA std) NFFPA T3.5.1-D05 Alt-B
3	Y port (USA std) NFFPA T3.5.1-D05 Alt-B
13	X & Y ports (USA std) NFFPA T3.5.1-D05 Alt-B
2	X port ISO 4401-05-05 NFFPA T3.5.1-D05 Alt-A
4	Y port ISO 4401-05-05 NFFPA T3.5.1-D05 Alt-A
24	X & Y ports ISO 4401-05-05 NFFPA T3.5.1-D05 Alt-A
5*	L ports Proportional valves

Cavity	
Omit if cavity not required	
C	Common cavity: With solenoid clearance. C-16-2 (P in nose)
S	Sun Cavity: T-16A (P in nose) See Tech Info for valves.

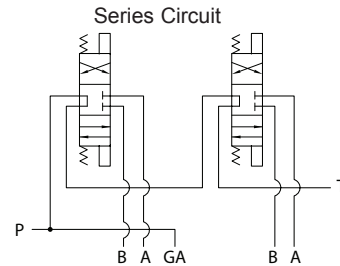
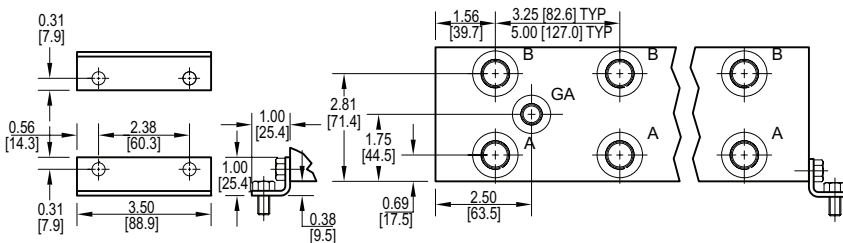
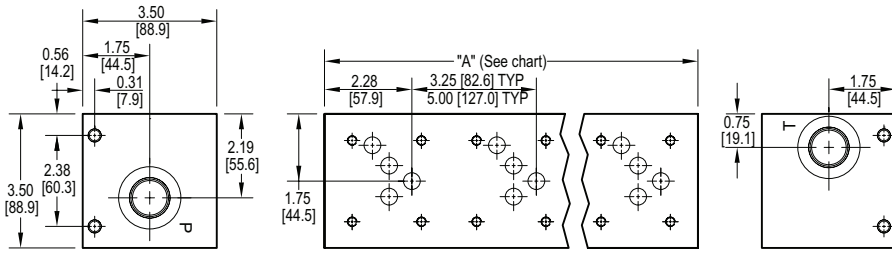
Pressure Isolation	
Omit if P isolation not required	
PA...PJ	Available with spacing code 3
PA...PE	Available with spacing code 5

Tank Isolation	
Omit if T isolation not required	
TA...TJ	Available with spacing code 3
TA...TE	Available with spacing code 5

Cavity & Isolation Combinations	
Specify when using a combination of cavity and isolation options. Cavities do have solenoid clearance.	
L	Relief cavity is located left of the isolation.
R	Relief cavity is located right of the isolation.
D	Two relief cavities, one each side of isolation.

* Cannot be combined with the following other pilot port options: /3, /13, /2, or /24

D05 Standard Flow Series Circuit Manifold



No. of stations	02	03	04
"A" length (code 3 spa.) inch [mm]	6.50 [165.1]	9.75 [247.7]	13.00 [330.2]
apx. weight alum lb [kg]	8 [4]	11 [5]	14 [7]
apx. weight ferrous lb [kg]	17 [8]	26 [12]	34 [15]
"A" length (code 5 spa.) inch [mm]	8.25 [209.6]	13.25 [336.6]	18.25 [463.6]
apx. weight alum lb [kg]	9 [4]	15 [7]	20 [9]
apx. weight ferrous lb [kg]	22 [10]	36 [16]	49 [22]

All mounting hardware is supplied, except for stainless. See page 64 for itemized list.

Port code	Valve mtg.	Manifold mtg.
P, S	0.25-20 UNC x 0.75 [19] DP	0.31-18 UNC x 0.44 [11.1] DP
B, M, T	M6 ISO 6H x 0.75 [19] DP	M8 ISO 6H x 0.44 [11.1] DP

Specifications, descriptions, and dimensional data are subject to correction or change without notice or incurring obligation. Download latest catalog page revisions at www.daman.com.

Ordering Information

For **coating options** see pages 245-246.

Material	Valve Pattern	Circuit	No. of Stations	Valve Spacing	Port Threads	/	Options
----------	---------------	---------	-----------------	---------------	--------------	---	---------

Material	
A	Aluminum - 6061-T6 3000 [†] psi • 20.7 MPa
D	Ductile Iron - D4512 5000 [†] psi • 34.5 MPa
S*	Stainless Steel - 17-4 5000 [†] psi • 34.5 MPa

[†] Working pressure should be considered in accordance with ISO 4413 to determine appropriate material type.

*All stainless steel products are passivated.

Valve Pattern	
D05	ISO-4401-05-04 NFPA T3.5.1-D05 See Tech Information

Circuit	
S	Series Circuit Standard Flow

No. of Stations	
Aluminum	
02...04	Available with spacing code 3
02...04	Available with spacing code 5
Ductile Iron	
02...04	Available with spacing code 3
02...04	Available with spacing code 5
Stainless Steel	
02...04	Available with spacing code 3
02...04	Available with spacing code 5

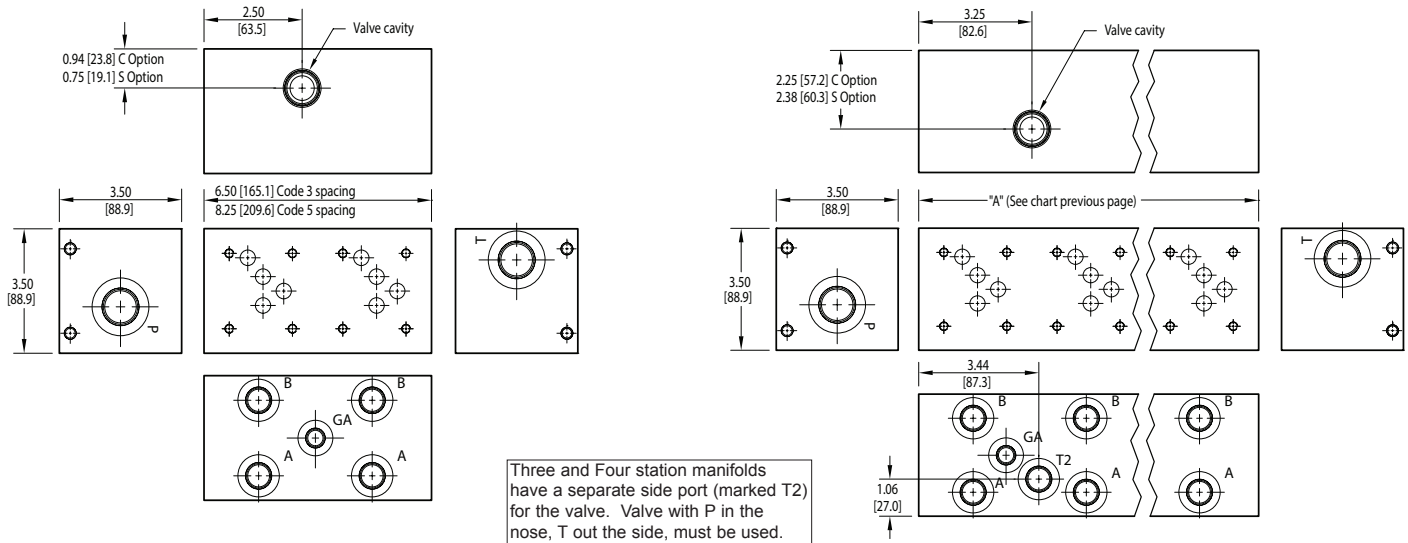
Valve Spacing	
3	3.25 inch 82.6 mm
5	5.00 inch 127.0 mm

Options	
See next page for available options and ordering codes.	

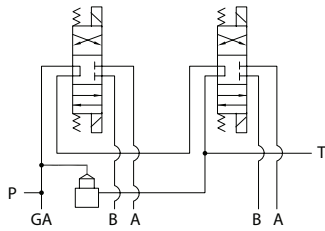
Port Threads			
	P & T	A & B	GA
P*	NPTF • ANSI B1.20.3	0.75	0.50
S	SAE • ISO 11926	-12	-8
B	BSPP • ISO 1179	0.75	0.50
M	ISO • ISO 6149	M27	M18
T*	BSPT • ISO 7	0.75	0.50

* Pipe ports in stainless can experience galling

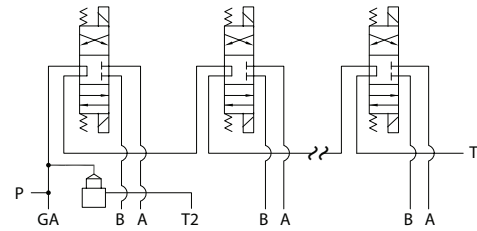
Options - D05 Standard Flow Series Manifold



Series Circuit with Cavity - (2) station



Series Circuit with Cavity - (3) or (4) station



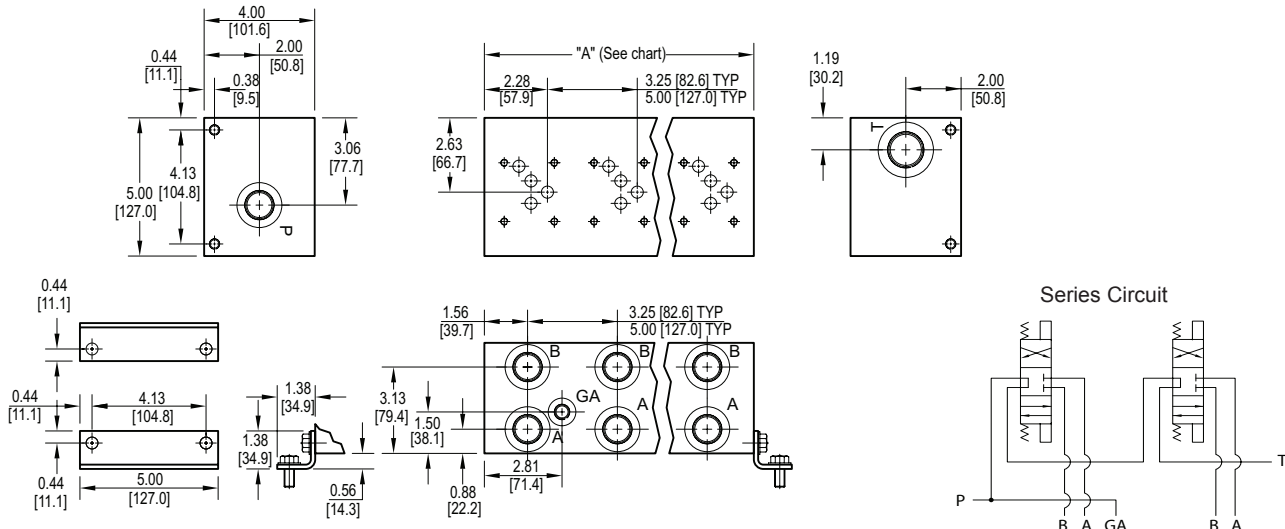
Ordering Information



Cavity	
Omit if cavity not required.	
C	Common cavity: 2-station has solenoid clearance. 3 & 4 station does not have solenoid clearance. C-10-2 (P in nose) For valves w/1" hex max.
S	Sun Cavity: T-3A (P in nose) See Tech Info for valves.

Port Code (ref.)	T2 Port Size 3 and 4 Station Manifold
P	0.50 NPTF • ANSI B1.20.3
S	-8 SAE • ISO 11926
B	0.50 BSPP • ISO 1179
M	M18 ISO • ISO 6149
T	0.50 BSPT • ISO 7

D05 High Flow Series Circuit Manifold



No. of stations	02	03	04
"A" length (code 3 spa.) inch [mm]	6.50 [165.1]	9.75 [247.7]	13.00 [330.2]
apx. weight alum lb [kg]	12 [5]	17 [8]	22 [10]
apx. weight ferrous lb [kg]	38 [17]	57 [26]	75 [34]
"A" length (code 5 spa.) inch [mm]	8.25 [209.6]	13.25 [336.6]	18.25 [463.6]
apx. weight alum lb [kg]	18 [8]	26 [12]	33 [15]
apx. weight ferrous lb [kg]	48 [22]	77 [35]	106 [48]

All mounting hardware is supplied.
See page 64 for itemized list.

Port code	Valve mtg.	Manifold mtg.
P, S	0.25-20 UNC x 0.75 [19] DP	0.38-16 UNC x 0.75 [19] DP
B, M, T	M6 ISO 6H x 0.75 [19] DP	M10 ISO 6H x 0.75 [19] DP

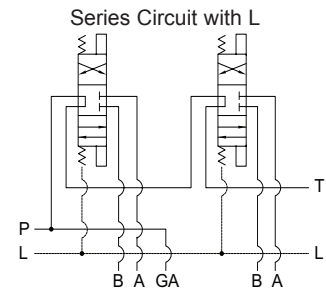
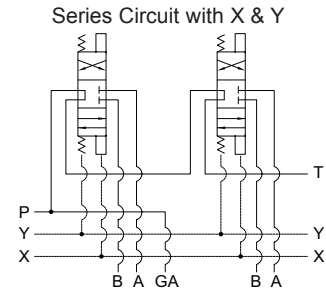
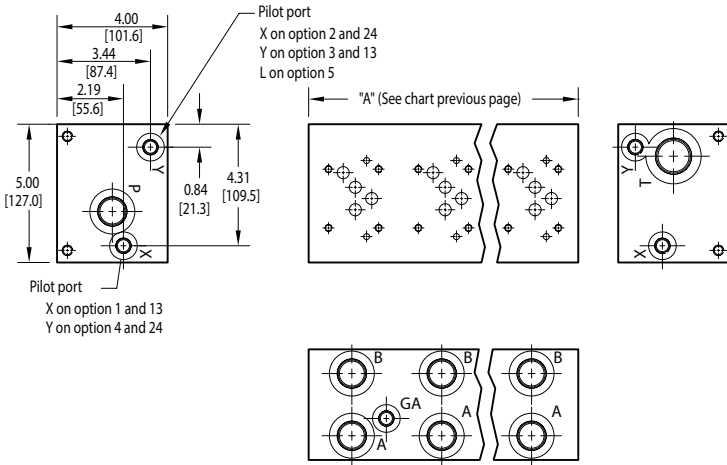
Specifications, descriptions, and dimensional data are subject to correction or change without notice or incurring obligation.
Download latest catalog page revisions at www.daman.com.

Ordering Information

For **coating options**
see pages 245-246.

Material	Valve Pattern	Circuit	No. of Stations	Valve Spacing	Port Threads	Options																																																																										
<table border="1"> <thead> <tr> <th colspan="2">Material</th> </tr> </thead> <tbody> <tr> <td>A</td> <td>Aluminum - 6061-T6 3000† psi • 20.7 MPa</td> </tr> <tr> <td>D</td> <td>Ductile Iron - D4512 5000† psi • 34.5 MPa</td> </tr> </tbody> </table> <p>† Working pressure should be considered in accordance with ISO 4413 to determine appropriate material type.</p>	Material		A	Aluminum - 6061-T6 3000† psi • 20.7 MPa	D	Ductile Iron - D4512 5000† psi • 34.5 MPa	<table border="1"> <thead> <tr> <th colspan="2">Valve Pattern</th> </tr> </thead> <tbody> <tr> <td>D05</td> <td>ISO 4401-05-04 NFPA T3.5.1-D05 See Tech Information</td> </tr> </tbody> </table>	Valve Pattern		D05	ISO 4401-05-04 NFPA T3.5.1-D05 See Tech Information	<table border="1"> <thead> <tr> <th colspan="2">Circuit</th> </tr> </thead> <tbody> <tr> <td>HS</td> <td>Series Circuit High Flow</td> </tr> </tbody> </table>	Circuit		HS	Series Circuit High Flow	<table border="1"> <thead> <tr> <th colspan="2">No. of Stations</th> </tr> </thead> <tbody> <tr> <td colspan="2">Aluminum</td> </tr> <tr> <td>02...04</td> <td>Available with spacing code 3</td> </tr> <tr> <td>02...04</td> <td>Available with spacing code 5</td> </tr> <tr> <td colspan="2">Ductile Iron</td> </tr> <tr> <td>02...04</td> <td>Available with spacing code 3</td> </tr> <tr> <td>02...04</td> <td>Available with spacing code 5</td> </tr> </tbody> </table>	No. of Stations		Aluminum		02...04	Available with spacing code 3	02...04	Available with spacing code 5	Ductile Iron		02...04	Available with spacing code 3	02...04	Available with spacing code 5	<table border="1"> <thead> <tr> <th colspan="2">Valve Spacing</th> </tr> </thead> <tbody> <tr> <td>3</td> <td>3.25 inch 82.6 mm</td> </tr> <tr> <td>5</td> <td>5.00 inch 127.0 mm</td> </tr> </tbody> </table>	Valve Spacing		3	3.25 inch 82.6 mm	5	5.00 inch 127.0 mm	<table border="1"> <thead> <tr> <th colspan="2">Port Threads</th> <th>P,A,B</th> <th>T</th> <th>X,Y,L optional</th> <th>GA</th> </tr> </thead> <tbody> <tr> <td>P</td> <td>NPTF • ANSI B1.20.3</td> <td>0.75</td> <td>1.00</td> <td>0.38</td> <td>0.25</td> </tr> <tr> <td>S</td> <td>SAE • ISO 11926</td> <td>-12</td> <td>-16</td> <td>-6</td> <td>-6</td> </tr> <tr> <td>B</td> <td>BSPP • ISO 1179</td> <td>0.75</td> <td>1.00</td> <td>0.38</td> <td>none</td> </tr> <tr> <td>M</td> <td>ISO • ISO 6149</td> <td>M27</td> <td>M33</td> <td>M14</td> <td>none</td> </tr> <tr> <td>T</td> <td>BSPT • ISO 7</td> <td>0.75</td> <td>1.00</td> <td>0.38</td> <td>none</td> </tr> </tbody> </table>	Port Threads		P,A,B	T	X,Y,L optional	GA	P	NPTF • ANSI B1.20.3	0.75	1.00	0.38	0.25	S	SAE • ISO 11926	-12	-16	-6	-6	B	BSPP • ISO 1179	0.75	1.00	0.38	none	M	ISO • ISO 6149	M27	M33	M14	none	T	BSPT • ISO 7	0.75	1.00	0.38	none	<table border="1"> <thead> <tr> <th colspan="2">Options</th> </tr> </thead> <tbody> <tr> <td colspan="2">See next page for available options and ordering codes.</td> </tr> </tbody> </table>	Options		See next page for available options and ordering codes.	
Material																																																																																
A	Aluminum - 6061-T6 3000† psi • 20.7 MPa																																																																															
D	Ductile Iron - D4512 5000† psi • 34.5 MPa																																																																															
Valve Pattern																																																																																
D05	ISO 4401-05-04 NFPA T3.5.1-D05 See Tech Information																																																																															
Circuit																																																																																
HS	Series Circuit High Flow																																																																															
No. of Stations																																																																																
Aluminum																																																																																
02...04	Available with spacing code 3																																																																															
02...04	Available with spacing code 5																																																																															
Ductile Iron																																																																																
02...04	Available with spacing code 3																																																																															
02...04	Available with spacing code 5																																																																															
Valve Spacing																																																																																
3	3.25 inch 82.6 mm																																																																															
5	5.00 inch 127.0 mm																																																																															
Port Threads		P,A,B	T	X,Y,L optional	GA																																																																											
P	NPTF • ANSI B1.20.3	0.75	1.00	0.38	0.25																																																																											
S	SAE • ISO 11926	-12	-16	-6	-6																																																																											
B	BSPP • ISO 1179	0.75	1.00	0.38	none																																																																											
M	ISO • ISO 6149	M27	M33	M14	none																																																																											
T	BSPT • ISO 7	0.75	1.00	0.38	none																																																																											
Options																																																																																
See next page for available options and ordering codes.																																																																																

Options - D05 High Flow Series Manifold

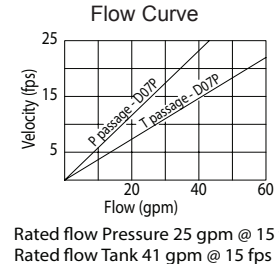
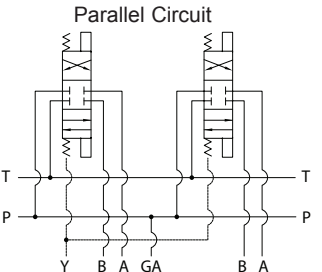
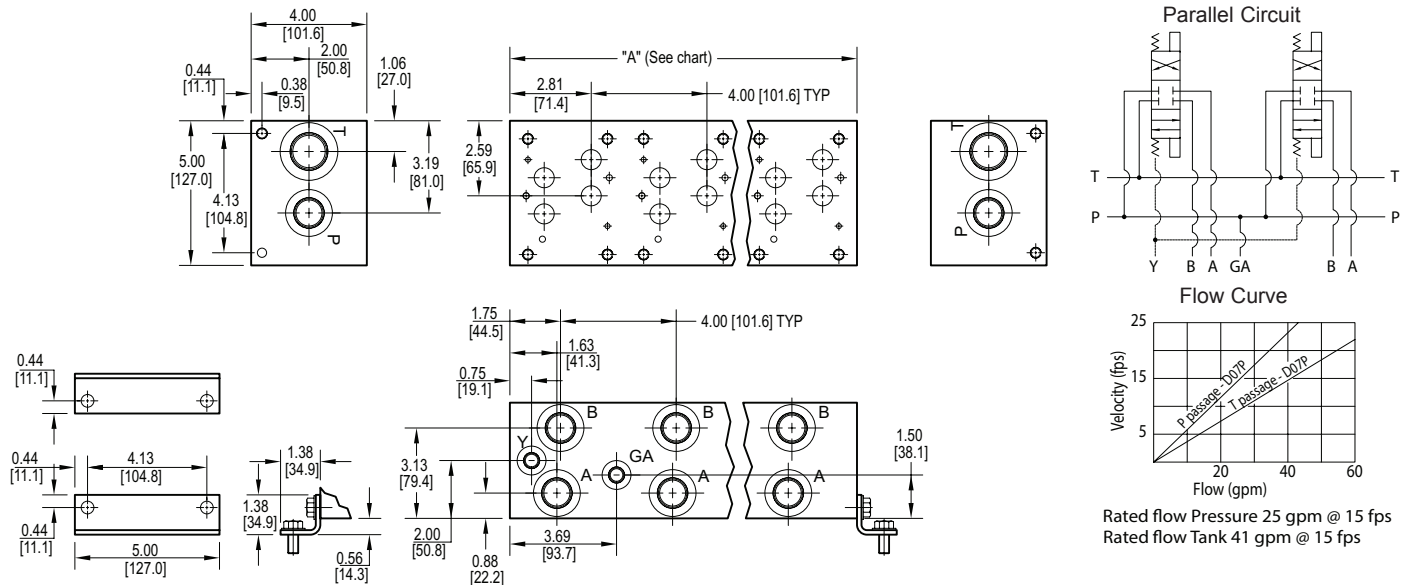


Ordering Information



Pilot Ports	
Omit if pilot ports not required	
1	X port (USA std) NFFPA T3.5.1-D05 Alt-B
3	Y port (USA std) NFFPA T3.5.1-D05 Alt-B
13	X & Y ports (USA std) NFFPA T3.5.1-D05 Alt-B
2	X port ISO 4401-05-05 NFFPA T3.5.1-D05 Alt-A
4	Y port ISO 4401-05-05 NFFPA T3.5.1-D05 Alt-A
24	X & Y ports ISO 4401-05-05 NFFPA T3.5.1-D05 Alt-A
5	L ports Proportional valves

D07 Standard Flow Parallel Circuit Manifold



All mounting hardware is supplied.
See page 65 for itemized list.

No. of stations	* 01	02	03	04	05	06	07	08
"A" length (code 4 spa.) inch [mm]	4.00 [101.6]	8.00 [203.2]	12.00 [304.8]	16.00 [406.4]	20.00 [508.0]	24.00 [609.6]	28.00 [711.2]	32.00 [812.8]
apx. weight alum lb [kg]	6 [3]	14 [6]	22 [10]	30 [14]	38 [17]	46 [21]	52 [24]	60 [27]
apx. weight ferrous lb [kg]	24 [11]	46 [21]	69 [31]	90 [41]	114 [52]	135 [61]	158 [72]	180 [82]

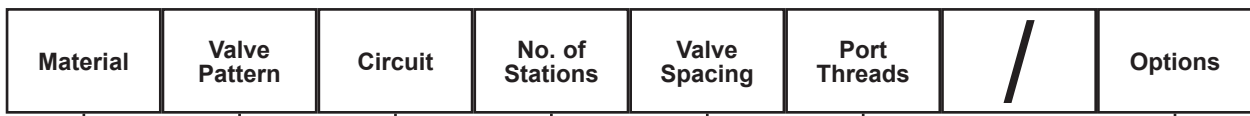
Port code	Valve mtg.	Manifold mtg.
P, S	0.38-16 UNC x 1.00 [25] DP 0.25-20 UNC x 0.75 [19] DP	0.38-16 UNC x 0.75 [19] DP
B, M, T	M10 ISO 6H x 1.00 [25] DP M6 ISO 6H x 0.75 [19] DP	M10 ISO 6H x 0.75 [19] DP

Specifications, descriptions, and dimensional data are subject to correction or change without notice or incurring obligation.
Download latest catalog page revisions at www.daman.com.

* Length of 01 sta. with "C" relief cavity 5.50 [139.7]. Gauge port not available on 01 station.

Ordering Information

For **coating options**
see pages 245-246.



Material	
A	Aluminum - 6061-T6 3000† psi • 20.7 MPa
D	Ductile Iron - D4512 5000† psi • 34.5 MPa

† Working pressure should be considered in accordance with ISO 4413 to determine appropriate material type.

Circuit	
P	Parallel Manifold Standard Flow

Valve Spacing	
4	4.00 inch 101.6 mm

Options	
See next page for available options and ordering codes.	

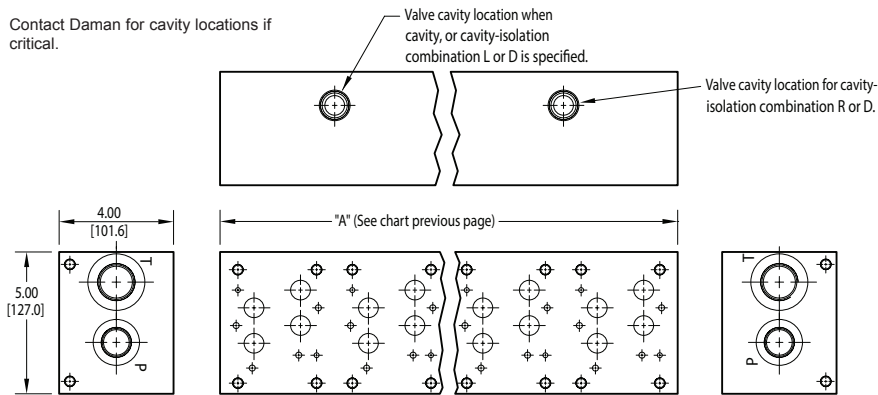
Valve Pattern	
D07	ISO 4401-07-06 NFPA T3.5.1-D07 See Tech Information

No. of Stations	
Aluminum	
01...08	Available with spacing code 4
Ductile Iron	
01...08	Available with spacing code 4

Port Threads	P,A,B	T	Y	X optional	GA
P	NPTF • ANSI B1.20.3	0.75	1.00	0.38	0.25
S	SAE • ISO 11926	-12	-16	-6	-4
B	BSPP • ISO 1179	0.75	1.00	0.38	0.25
M	ISO • ISO 6149	M27	M33	M14	M10
T	BSPT • ISO 7	0.75	1.00	0.38	0.25

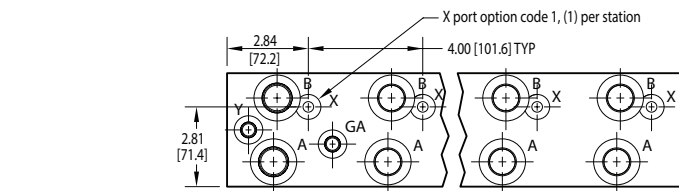
Options - D07 Standard Flow Parallel Manifold

Contact Daman for cavity locations if critical.



ISOLATIONS		
Daman isolation options allow a manifold to have two independent pressure and/or tank ports. Isolations are drilled rather than plugged to ensure a leakproof and failproof isolation.		
Ordering code letter:	* Isolation is between stations:	Available # of stations:
A	01 & 02	02-08
B	02 & 03	03-08
C	03 & 04	04-08
D	04 & 05	05-08
E	05 & 06	06-08
F	06 & 07	07-08
G	07 & 08	08

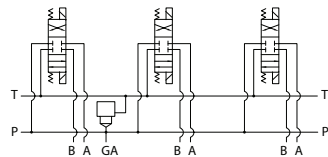
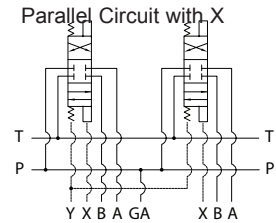
* Stations are numbered left to right.



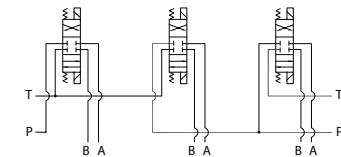
Parallel Circuit with Cavity

Parallel Circuit with Isolations

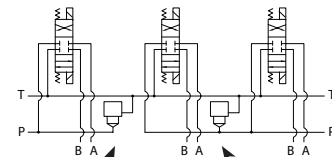
Cavity & Isolation Combinations



Valves with P in the nose and T out the side must be used.



Manifold shown with P isolation between 1 & 2 (PA), and T isolation between 2 & 3 (TB).



Option code L Cavity left of isolation
Option code R Cavity right of isolation
Option code D includes both cavities

NOTES:	
1)	The GA port is not available on a (1) station manifold.
2)	The GA port is not available when a pressure isolation is located between stations 1 & 2.
3)	Some cavity and isolation combinations are not possible. Consult factory to determine availability.

Ordering Information

...	Pilot Ports	Cavity	Pressure Isolation	Tank Isolation	Cavity & Isolation Combinations
-----	-------------	--------	--------------------	----------------	---------------------------------

Pilot Ports	
Omit if X ports not required	
1	X port ISO 4401-07-06 NFPA T3.5.1-D07

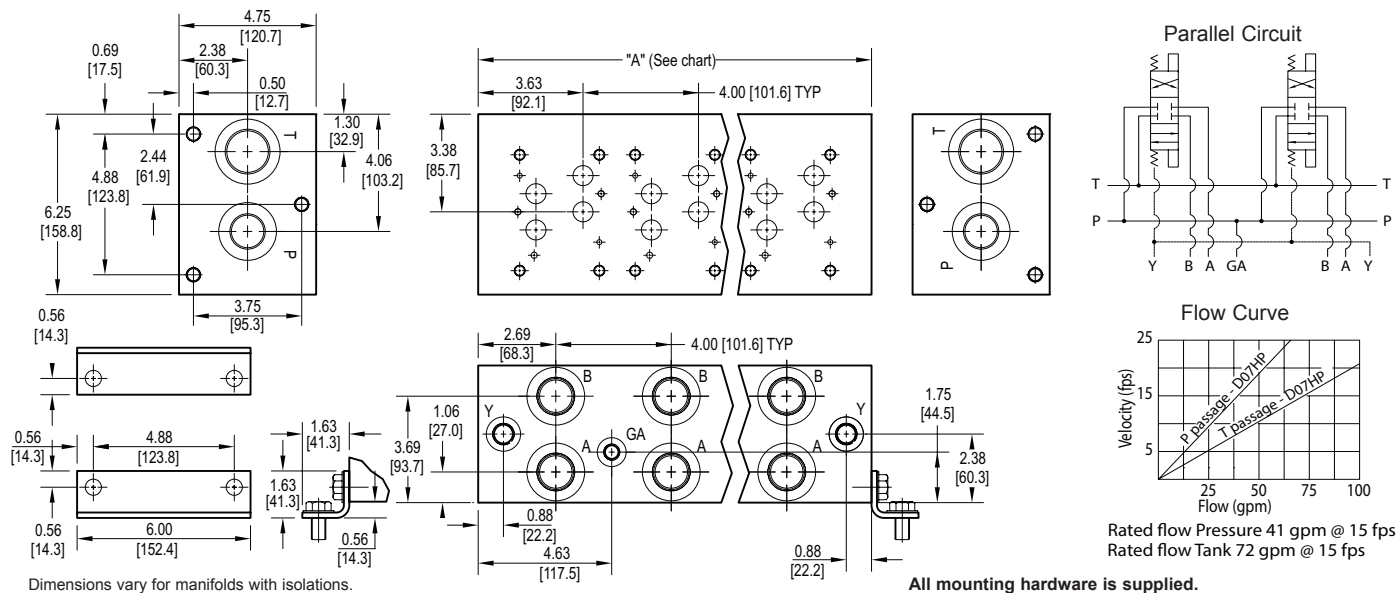
Cavity	
Omit if cavity not required	
C	Common cavity: With solenoid clearance. C-10-2 (P in nose) For valves w/1" hex max.
S	Sun Cavity T-3A (P in nose) See Tech Info for valves.

Tank Isolation	
Omit if T isolation not required	
TA...TG	Available with spacing code 4

Cavity & Isolation Combinations	
Specify when using a combination of cavity and isolation options. Cavities do have solenoid clearance.	
L	Relief cavity is located left of the isolation.
R	Relief cavity is located right of the isolation.
D	Two relief cavities, one each side of isolation.

Pressure Isolation	
Omit if P isolation not required	
PA...PG	Available with spacing code 4

D07 High Flow Parallel Circuit Manifold



Dimensions vary for manifolds with isolations.

All mounting hardware is supplied. See page 65 for itemized list.

No. of stations	* 01	02	03	04	05	06	07	08
"A" length (code 4 spa.) inch [mm]	5.63 [142.9]	9.63 [244.5]	13.63 [346.1]	17.63 [447.7]	21.63 [549.3]	25.63 [650.9]	29.63 [752.5]	33.63 [854.1]
apx. weight alum lb [kg]	17 [8]	29 [13]	41 [18]	52 [24]	64 [29]	76 [35]	88 [40]	100 [45]
apx. weight ferrous lb [kg]	43 [20]	74 [34]	105 [47]	136 [62]	167 [76]	198 [90]	228 [103]	260 [118]

Port code	Valve mtg.	Manifold mtg.
P, S	0.38-16 UNC x 1.00 [25] DP 0.25-20 UNC x 0.75 [19] DP	0.50-13 UNC x 0.88 [22.3] DP
B, M, T	M10 ISO 6H x 1.00 [25] DP M6 ISO 6H x 0.75 [19] DP	M12 ISO 6H x 0.88 [22.3] DP

* Length of 01 station with Sun relief cavity 7.00 [177.8]. Length of 01 station with Common relief cavity 6.75 [171.5]. Gauge port not available on 01 station.

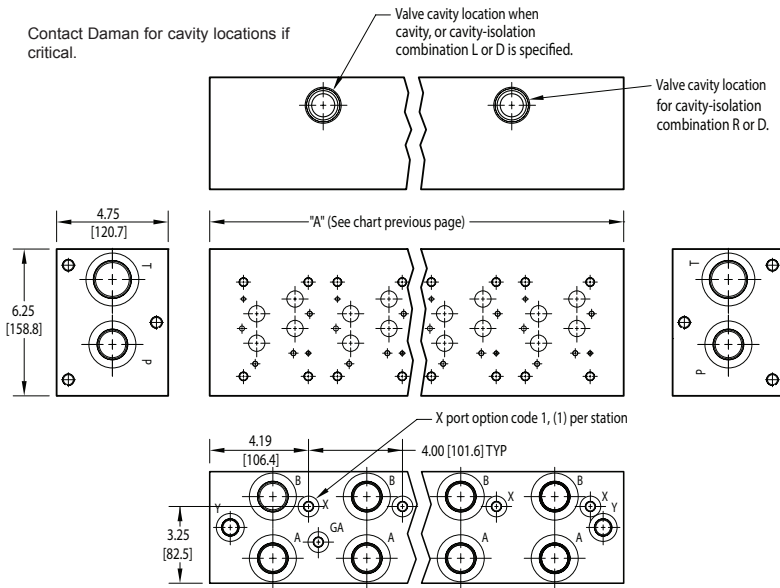
Specifications, descriptions, and dimensional data are subject to correction or change without notice or incurring obligation. Download latest catalog page revisions at www.daman.com.

Ordering Information

For **coating options** see pages 245-246.

Material	Valve Pattern	Circuit	No. of Stations	Valve Spacing	Port Threads	Options																																																																																	
<table border="1" style="width: 100%; border-collapse: collapse;"> <thead> <tr> <th colspan="2">Material</th> </tr> </thead> <tbody> <tr> <td style="width: 20px; text-align: center;">A</td> <td>Aluminum - 6061-T6 3000† psi • 20.7 MPa</td> </tr> <tr> <td style="text-align: center;">D</td> <td>Ductile Iron - D4512 5000† psi • 34.5 MPa</td> </tr> </tbody> </table> <p>† Working pressure should be considered in accordance with ISO 4413 to determine appropriate material type.</p>	Material		A	Aluminum - 6061-T6 3000† psi • 20.7 MPa	D	Ductile Iron - D4512 5000† psi • 34.5 MPa	<table border="1" style="width: 100%; border-collapse: collapse;"> <thead> <tr> <th colspan="2">Valve Pattern</th> </tr> </thead> <tbody> <tr> <td style="width: 20px; text-align: center;">D07</td> <td>ISO 4401-07-06 NFPA T3.5.1-D07 See Tech information</td> </tr> </tbody> </table>	Valve Pattern		D07	ISO 4401-07-06 NFPA T3.5.1-D07 See Tech information	<table border="1" style="width: 100%; border-collapse: collapse;"> <thead> <tr> <th colspan="2">Circuit</th> </tr> </thead> <tbody> <tr> <td style="width: 20px; text-align: center;">HP</td> <td>Parallel Circuit High Flow</td> </tr> </tbody> </table>	Circuit		HP	Parallel Circuit High Flow	<table border="1" style="width: 100%; border-collapse: collapse;"> <thead> <tr> <th colspan="2">No. of Stations</th> </tr> </thead> <tbody> <tr> <td colspan="2" style="text-align: center;">Aluminum</td> </tr> <tr> <td style="width: 20px; text-align: center;">01...08</td> <td>Available with spacing code 4</td> </tr> <tr> <td colspan="2" style="text-align: center;">Ductile Iron</td> </tr> <tr> <td style="text-align: center;">01...08</td> <td>Available with spacing code 4</td> </tr> </tbody> </table>	No. of Stations		Aluminum		01...08	Available with spacing code 4	Ductile Iron		01...08	Available with spacing code 4	<table border="1" style="width: 100%; border-collapse: collapse;"> <thead> <tr> <th colspan="2">Valve Spacing</th> </tr> </thead> <tbody> <tr> <td style="width: 20px; text-align: center;">4</td> <td>4.00 inch 101.6 mm</td> </tr> </tbody> </table>	Valve Spacing		4	4.00 inch 101.6 mm	<table border="1" style="width: 100%; border-collapse: collapse;"> <thead> <tr> <th colspan="7">Port Threads</th> </tr> <tr> <th></th> <th>P,A,B</th> <th>T</th> <th>Y</th> <th>X optional</th> <th>GA</th> <th></th> </tr> </thead> <tbody> <tr> <td style="text-align: center;">P</td> <td>NPTF • ANSI B1.20.3</td> <td>1.00</td> <td>1.25</td> <td>0.50</td> <td>0.25</td> <td>0.25</td> </tr> <tr> <td style="text-align: center;">S</td> <td>SAE • ISO 11926</td> <td>-16</td> <td>-20</td> <td>-8</td> <td>-4</td> <td>-6</td> </tr> <tr> <td style="text-align: center;">B</td> <td>BSPP • ISO 1179</td> <td>1.00</td> <td>1.25</td> <td>0.50</td> <td>0.25</td> <td>none</td> </tr> <tr> <td style="text-align: center;">M</td> <td>ISO • ISO 6149</td> <td>M33</td> <td>M42</td> <td>M16</td> <td>M10</td> <td>none</td> </tr> <tr> <td style="text-align: center;">T</td> <td>BSPT • ISO 7</td> <td>1.00</td> <td>1.25</td> <td>0.50</td> <td>0.25</td> <td>none</td> </tr> </tbody> </table>	Port Threads								P,A,B	T	Y	X optional	GA		P	NPTF • ANSI B1.20.3	1.00	1.25	0.50	0.25	0.25	S	SAE • ISO 11926	-16	-20	-8	-4	-6	B	BSPP • ISO 1179	1.00	1.25	0.50	0.25	none	M	ISO • ISO 6149	M33	M42	M16	M10	none	T	BSPT • ISO 7	1.00	1.25	0.50	0.25	none	<table border="1" style="width: 100%; border-collapse: collapse;"> <thead> <tr> <th colspan="2">Options</th> </tr> </thead> <tbody> <tr> <td style="width: 20px;"></td> <td>See next page for available options and ordering codes.</td> </tr> </tbody> </table>	Options			See next page for available options and ordering codes.
Material																																																																																							
A	Aluminum - 6061-T6 3000† psi • 20.7 MPa																																																																																						
D	Ductile Iron - D4512 5000† psi • 34.5 MPa																																																																																						
Valve Pattern																																																																																							
D07	ISO 4401-07-06 NFPA T3.5.1-D07 See Tech information																																																																																						
Circuit																																																																																							
HP	Parallel Circuit High Flow																																																																																						
No. of Stations																																																																																							
Aluminum																																																																																							
01...08	Available with spacing code 4																																																																																						
Ductile Iron																																																																																							
01...08	Available with spacing code 4																																																																																						
Valve Spacing																																																																																							
4	4.00 inch 101.6 mm																																																																																						
Port Threads																																																																																							
	P,A,B	T	Y	X optional	GA																																																																																		
P	NPTF • ANSI B1.20.3	1.00	1.25	0.50	0.25	0.25																																																																																	
S	SAE • ISO 11926	-16	-20	-8	-4	-6																																																																																	
B	BSPP • ISO 1179	1.00	1.25	0.50	0.25	none																																																																																	
M	ISO • ISO 6149	M33	M42	M16	M10	none																																																																																	
T	BSPT • ISO 7	1.00	1.25	0.50	0.25	none																																																																																	
Options																																																																																							
	See next page for available options and ordering codes.																																																																																						

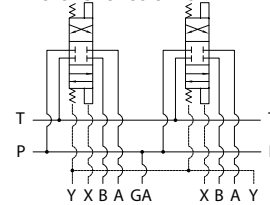
Options - D07 High Flow Parallel Manifold



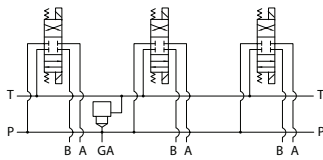
ISOLATIONS		
Daman isolation options allow a manifold to have two independent pressure and/or tank ports. Isolations are drilled rather than plugged to ensure a leakproof and failproof isolation.		
Ordering code letter:	* Isolation is between stations:	Available # of stations:
A	01 & 02	02-08
B	02 & 03	03-08
C	03 & 04	04-08
D	04 & 05	05-08
E	05 & 06	06-08
F	06 & 07	07-08
G	07 & 08	08

* Stations are numbered left to right.

Parallel circuit with X

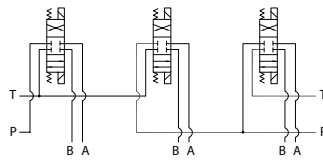


Parallel Circuit with Cavity



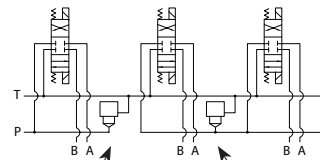
Valves with P in the nose and T out the side must be used.

Parallel Circuit with Isolations



Manifold shown with P isolation between 1 & 2 (PA), and T isolation between 2 & 3 (TB).

Cavity & Isolation Combinations

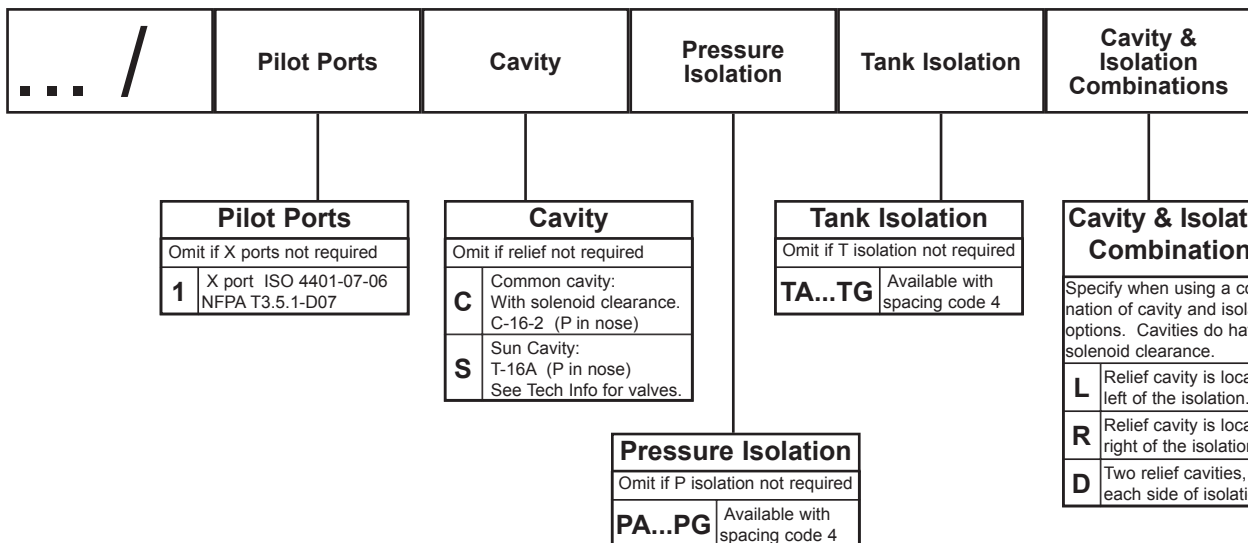


Option code L
Cavity left of isolation
Option code R
Cavity right of isolation
Option code D includes both cavities

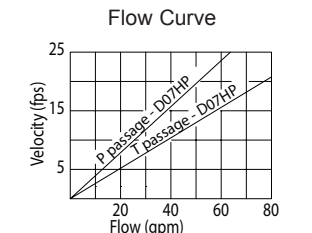
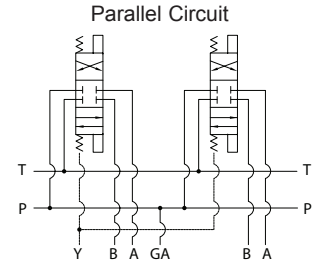
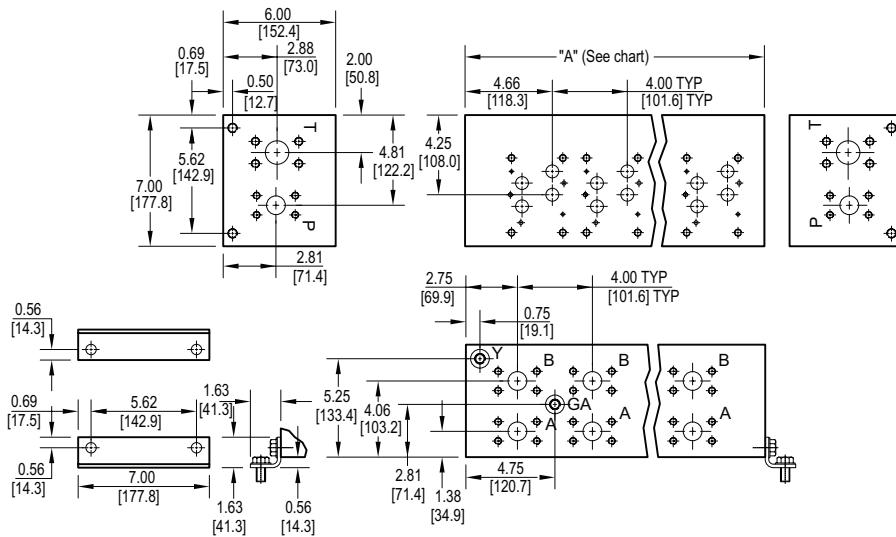
NOTES:

- 1) The GA port is not available on a (1) station manifold.
- 2) The GA port is not available when a pressure isolation is located between stations 1 & 2.
- 3) Some cavity and isolation combinations are not possible. Consult factory to determine availability.

Ordering Information



D07 High Flow Parallel Circuit Manifold - Flange Ports



Rated flow Pressure 37 gpm @ 15 fps
 Rated flow Tank 57 gpm @ 15 fps

All mounting hardware is supplied.
 See page 65 for itemized list.

No. of stations	* 01	02	03	04	05	06	07	08
"A" length inch [mm]	6.63 [168.3]	10.63 [269.9]	14.63 [371.5]	18.63 [473.1]	22.63 [574.7]	26.63 [676.3]	30.63 [777.9]	34.63 [879.5]
apx. weight alum lb [kg]	28 [12.6]	45 [20]	61 [28]	78 [36]	95 [43]	112 [51]	129 [59]	145 [66]
apx. weight ferrous lb [kg]	75 [34]	120 [55]	166 [75]	211 [96]	257 [116]	302 [137]	344 [156]	389 [176]

Port code	Valve mtg.	Manifold mtg.	Flange mtg.	GA Port	Y Port	X Port *
F	0.38-16 UNC x 1.00 [25] DP	0.50-13 UNC x	ISO 6162	-6 SAE	-6 SAE	-4 SAE
	0.25-20 UNC x 0.75 [19] DP	0.88 [22] DP	Type II - Inch	J1926	J1926	J1926
F / M	M10 ISO 6H x 1.00 [25] DP	M12 ISO 6H x	ISO 6162	NONE	M14	M10
	M6 ISO 6H x 0.75 [19] DP	0.88 [22] DP	Type I - metric		ISO 6149	ISO 6149

* Length of 01 station with relief cavity 7.13 [181.0].

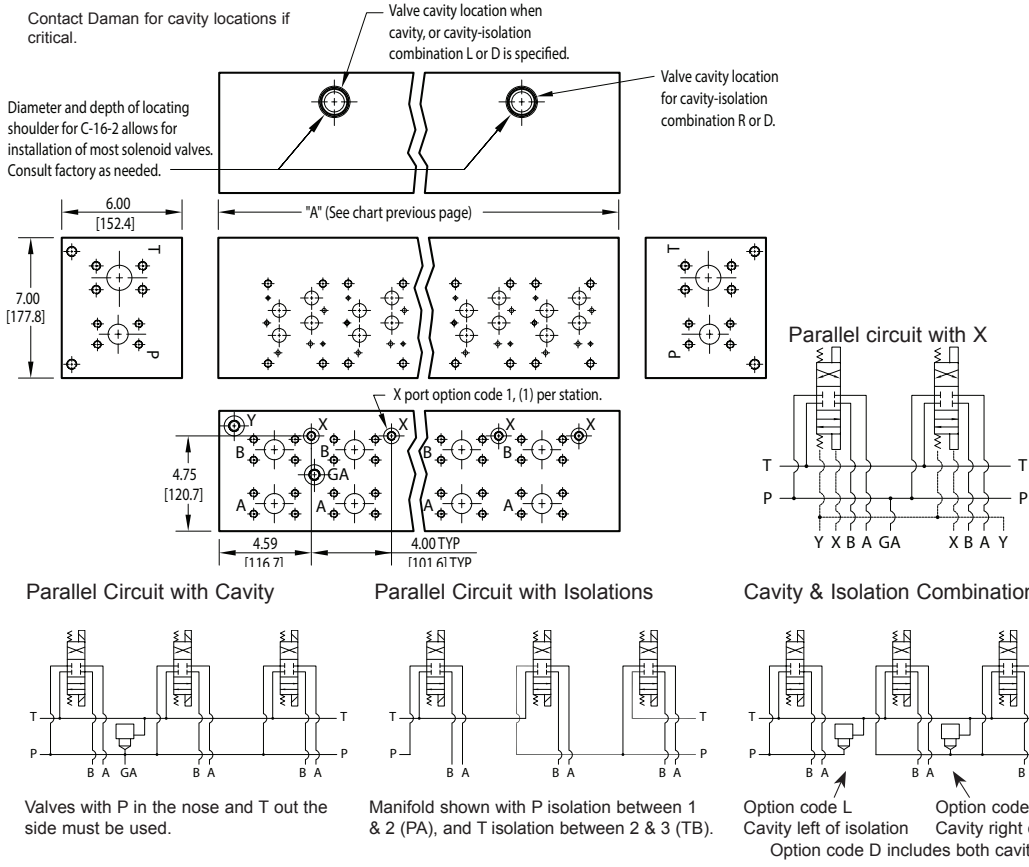
* X port is optional. See options on next page.
 Specifications, descriptions, and dimensional data are subject to correction or change without notice or incurring obligation. Download latest catalog page revisions at www.daman.com.

Ordering Information

For **coating options**
 see pages 245-246.

Material	Valve Pattern	Circuit	No. of Stations	Valve Spacing	Port Threads	Options																																				
<table border="1" style="width: 100%;"> <thead> <tr> <th colspan="2">Material</th> </tr> </thead> <tbody> <tr> <td>A</td> <td>Aluminum - 6061-T6 3000† psi • 20.7 MPa</td> </tr> <tr> <td>D</td> <td>Ductile Iron - D4512 5000† psi • 34.5 MPa</td> </tr> </tbody> </table> <p>† Working pressure should be considered in accordance with ISO 4413 to determine appropriate material type.</p>	Material		A	Aluminum - 6061-T6 3000† psi • 20.7 MPa	D	Ductile Iron - D4512 5000† psi • 34.5 MPa	<table border="1" style="width: 100%;"> <thead> <tr> <th colspan="2">Valve Pattern</th> </tr> </thead> <tbody> <tr> <td>D07</td> <td>ISO 4401-07-06 NFPA T3.5.1-D07 See Tech Information</td> </tr> </tbody> </table>	Valve Pattern		D07	ISO 4401-07-06 NFPA T3.5.1-D07 See Tech Information	<table border="1" style="width: 100%;"> <thead> <tr> <th colspan="2">Circuit</th> </tr> </thead> <tbody> <tr> <td>HP</td> <td>Parallel Circuit High Flow</td> </tr> </tbody> </table>	Circuit		HP	Parallel Circuit High Flow	<table border="1" style="width: 100%;"> <thead> <tr> <th colspan="2">No. of Stations</th> </tr> </thead> <tbody> <tr> <td>01...08</td> <td>Aluminum or Ductile Iron Available with spacing code 4</td> </tr> </tbody> </table>	No. of Stations		01...08	Aluminum or Ductile Iron Available with spacing code 4	<table border="1" style="width: 100%;"> <thead> <tr> <th colspan="2">Valve Spacing</th> </tr> </thead> <tbody> <tr> <td>4</td> <td>4.00 inch 101.6 mm</td> </tr> </tbody> </table>	Valve Spacing		4	4.00 inch 101.6 mm	<table border="1" style="width: 100%;"> <thead> <tr> <th colspan="3">Port Threads</th> </tr> </thead> <tbody> <tr> <td rowspan="3">F</td> <td>CODE 61 4-Bolt Flange</td> <td>P, A, B</td> </tr> <tr> <td>SAE J518 - CODE 61</td> <td>1.00</td> </tr> <tr> <td>ISO 6162 - 2.5 to 35 MPa</td> <td>1.25 CODE 61</td> </tr> </tbody> </table>	Port Threads			F	CODE 61 4-Bolt Flange	P, A, B	SAE J518 - CODE 61	1.00	ISO 6162 - 2.5 to 35 MPa	1.25 CODE 61	<table border="1" style="width: 100%;"> <thead> <tr> <th colspan="2">Options</th> </tr> </thead> <tbody> <tr> <td colspan="2">See next page for available options and ordering codes.</td> </tr> </tbody> </table>	Options		See next page for available options and ordering codes.	
Material																																										
A	Aluminum - 6061-T6 3000† psi • 20.7 MPa																																									
D	Ductile Iron - D4512 5000† psi • 34.5 MPa																																									
Valve Pattern																																										
D07	ISO 4401-07-06 NFPA T3.5.1-D07 See Tech Information																																									
Circuit																																										
HP	Parallel Circuit High Flow																																									
No. of Stations																																										
01...08	Aluminum or Ductile Iron Available with spacing code 4																																									
Valve Spacing																																										
4	4.00 inch 101.6 mm																																									
Port Threads																																										
F	CODE 61 4-Bolt Flange	P, A, B																																								
	SAE J518 - CODE 61	1.00																																								
	ISO 6162 - 2.5 to 35 MPa	1.25 CODE 61																																								
Options																																										
See next page for available options and ordering codes.																																										

Options - D07 High Flow Parallel Manifold - Flange Ports



ISOLATIONS

Daman isolation options allow a manifold to have two independent pressure and/or tank ports. Isolations are drilled rather than plugged to ensure a leakproof and failproof isolation.

Ordering code letter:	* Isolation is between stations:	Available # of stations:
A	01 & 02	02-08
B	02 & 03	03-08
C	03 & 04	04-08
D	04 & 05	05-08
E	05 & 06	06-08
F	06 & 07	07-08
G	07 & 08	08

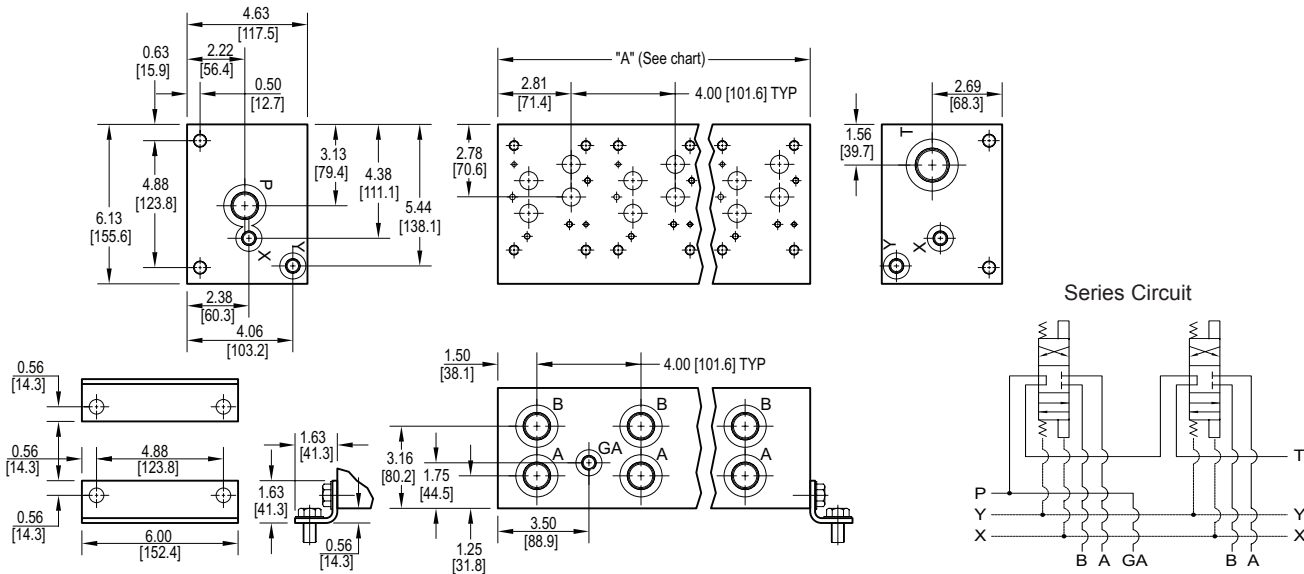
* Stations are numbered left to right.

- ### NOTES:
- 1) The GA port is not available on a (1) station manifold.
 - 2) The GA port is not available when a pressure isolation is located between stations 1 & 2.

Ordering Information

...	Thread Type	Pilot Ports	Cavity	Pressure Isolation	Tank Isolation	Cavity & Isolation Combinations																																										
	<table border="1"> <tr><th colspan="2">Thread Type</th></tr> <tr><td>Omit</td><td>Inch threads / ports</td></tr> <tr><td>M</td><td>Metric threads / ports</td></tr> </table>	Thread Type		Omit	Inch threads / ports	M	Metric threads / ports	<table border="1"> <tr><th colspan="2">Pilot Ports</th></tr> <tr><td colspan="2">Omit if X ports not required</td></tr> <tr><td>1</td><td>X port ISO 4401-07-06 NFPA T3.5.1-D07</td></tr> </table>	Pilot Ports		Omit if X ports not required		1	X port ISO 4401-07-06 NFPA T3.5.1-D07	<table border="1"> <tr><th colspan="2">Cavity</th></tr> <tr><td colspan="2">Omit if cavity not required</td></tr> <tr><td>C</td><td>Common cavity: C-16-2 (P in nose)</td></tr> <tr><td>S</td><td>Sun Cavity: T-16A (P in nose) See Tech Info for valves.</td></tr> </table>	Cavity		Omit if cavity not required		C	Common cavity: C-16-2 (P in nose)	S	Sun Cavity: T-16A (P in nose) See Tech Info for valves.	<table border="1"> <tr><th colspan="2">Pressure Isolation</th></tr> <tr><td colspan="2">Omit if P isolation not required</td></tr> <tr><td>PA...PG</td><td>Available with spacing code 4</td></tr> </table>	Pressure Isolation		Omit if P isolation not required		PA...PG	Available with spacing code 4	<table border="1"> <tr><th colspan="2">Tank Isolation</th></tr> <tr><td colspan="2">Omit if T isolation not required</td></tr> <tr><td>TA...TG</td><td>Available with spacing code 4</td></tr> </table>	Tank Isolation		Omit if T isolation not required		TA...TG	Available with spacing code 4	<table border="1"> <tr><th colspan="2">Cavity & Isolation Combinations</th></tr> <tr><td colspan="2">Specify when using a combination of cavity and isolation options. Cavities do not have solenoid clearance.</td></tr> <tr><td>L</td><td>Relief cavity is located left of the isolation.</td></tr> <tr><td>R</td><td>Relief cavity is located right of the isolation.</td></tr> <tr><td>D</td><td>Two relief cavities, one each side of isolation.</td></tr> </table>	Cavity & Isolation Combinations		Specify when using a combination of cavity and isolation options. Cavities do not have solenoid clearance.		L	Relief cavity is located left of the isolation.	R	Relief cavity is located right of the isolation.	D	Two relief cavities, one each side of isolation.
Thread Type																																																
Omit	Inch threads / ports																																															
M	Metric threads / ports																																															
Pilot Ports																																																
Omit if X ports not required																																																
1	X port ISO 4401-07-06 NFPA T3.5.1-D07																																															
Cavity																																																
Omit if cavity not required																																																
C	Common cavity: C-16-2 (P in nose)																																															
S	Sun Cavity: T-16A (P in nose) See Tech Info for valves.																																															
Pressure Isolation																																																
Omit if P isolation not required																																																
PA...PG	Available with spacing code 4																																															
Tank Isolation																																																
Omit if T isolation not required																																																
TA...TG	Available with spacing code 4																																															
Cavity & Isolation Combinations																																																
Specify when using a combination of cavity and isolation options. Cavities do not have solenoid clearance.																																																
L	Relief cavity is located left of the isolation.																																															
R	Relief cavity is located right of the isolation.																																															
D	Two relief cavities, one each side of isolation.																																															

D07 Series Circuit Manifold



All mounting hardware is supplied.
See page 65 for itemized list.

No. of stations	02	03	04
"A" length (code 4 spa.) inch [mm]	8.00 [203.2]	12.00 [304.8]	16.00 [406.4]
apx. weight alum lb [kg]	23 [10]	32 [15]	40 [18]
apx. weight ferrous lb [kg]	68 [31]	103 [47]	137 [62]

Port code	Valve mtg.	Manifold mtg.
P, S	0.38-16 UNC x 1.00 [25] DP 0.25-20 UNC x 0.75 [19] DP	0.50-13 UNC x 0.88 [22.3] DP
B, M, T	M10 ISO 6H x 1.00 [25] DP M6 ISO 6H x 0.75 [19] DP	M12 ISO 6H x 0.88 [22.3] DP

Specifications, descriptions, and dimensional data are subject to correction or change without notice or incurring obligation.
Download latest catalog page revisions at www.daman.com.

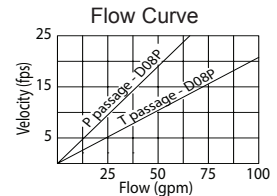
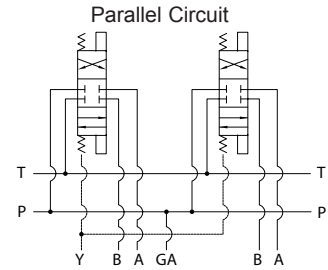
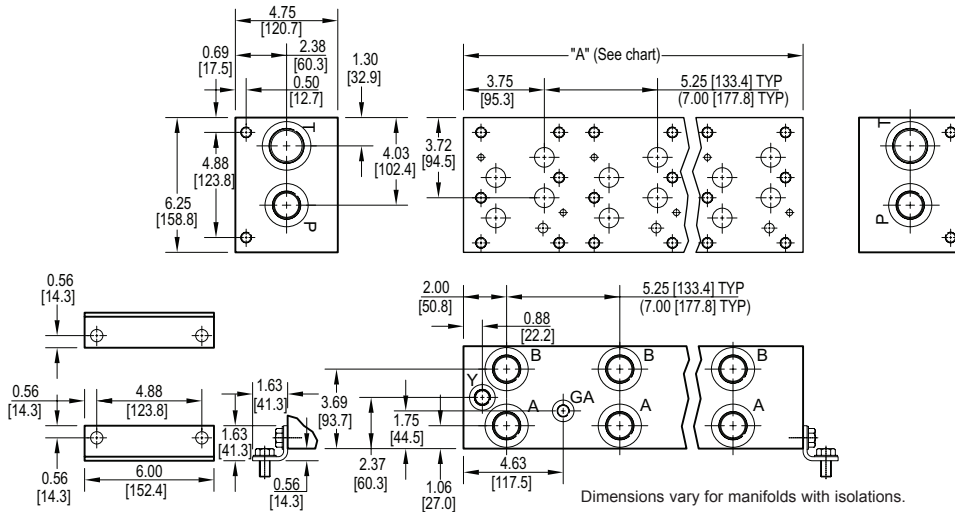
Ordering Information

For **coating options**
see pages 245-246.

Material	Valve Pattern	Circuit	No. of Stations	Valve Spacing	Port Threads	Options																																																																												
<table border="1"> <thead> <tr> <th colspan="2">Material</th> </tr> </thead> <tbody> <tr> <td>A</td> <td>Aluminum - 6061-T6 3000† psi • 20.7 MPa</td> </tr> <tr> <td>D</td> <td>Ductile Iron - D4512 5000† psi • 34.5 MPa</td> </tr> <tr> <td colspan="2">† Working pressure should be considered in accordance with ISO 4413 to determine appropriate material type.</td> </tr> </tbody> </table>	Material		A	Aluminum - 6061-T6 3000† psi • 20.7 MPa	D	Ductile Iron - D4512 5000† psi • 34.5 MPa	† Working pressure should be considered in accordance with ISO 4413 to determine appropriate material type.		<table border="1"> <thead> <tr> <th colspan="2">Circuit</th> </tr> </thead> <tbody> <tr> <td>S</td> <td>Series Circuit</td> </tr> </tbody> </table>	Circuit		S	Series Circuit	<table border="1"> <thead> <tr> <th colspan="2">Valve Pattern</th> </tr> </thead> <tbody> <tr> <td>D07</td> <td>ISO 4401-07-06 NFPA T3.5.1-D07 See Tech Information</td> </tr> </tbody> </table>	Valve Pattern		D07	ISO 4401-07-06 NFPA T3.5.1-D07 See Tech Information	<table border="1"> <thead> <tr> <th colspan="2">No. of Stations</th> </tr> </thead> <tbody> <tr> <td colspan="2">Aluminum</td> </tr> <tr> <td>02...04</td> <td>Available with spacing code 4</td> </tr> <tr> <td colspan="2">Ductile Iron</td> </tr> <tr> <td>02...04</td> <td>Available with spacing code 4</td> </tr> </tbody> </table>	No. of Stations		Aluminum		02...04	Available with spacing code 4	Ductile Iron		02...04	Available with spacing code 4	<table border="1"> <thead> <tr> <th colspan="2">Valve Spacing</th> </tr> </thead> <tbody> <tr> <td>4</td> <td>4.00 inch 101.6 mm</td> </tr> </tbody> </table>	Valve Spacing		4	4.00 inch 101.6 mm	<table border="1"> <thead> <tr> <th colspan="6">Port Threads</th> </tr> <tr> <th></th> <th>P,A,B</th> <th>T</th> <th>X & Y</th> <th>GA</th> <th></th> </tr> </thead> <tbody> <tr> <td>P</td> <td>NPTF • ANSI B1.20.3</td> <td>0.75</td> <td>1.00</td> <td>0.38</td> <td>0.25</td> </tr> <tr> <td>S</td> <td>SAE • ISO 11926</td> <td>-12</td> <td>-16</td> <td>-6</td> <td>-6</td> </tr> <tr> <td>B</td> <td>BSPP • ISO 1179</td> <td>0.75</td> <td>1.00</td> <td>0.38</td> <td>none</td> </tr> <tr> <td>M</td> <td>ISO • ISO 6149</td> <td>M27</td> <td>M33</td> <td>M14</td> <td>none</td> </tr> <tr> <td>T</td> <td>BSPT • ISO 7</td> <td>0.75</td> <td>1.00</td> <td>0.38</td> <td>none</td> </tr> </tbody> </table>	Port Threads							P,A,B	T	X & Y	GA		P	NPTF • ANSI B1.20.3	0.75	1.00	0.38	0.25	S	SAE • ISO 11926	-12	-16	-6	-6	B	BSPP • ISO 1179	0.75	1.00	0.38	none	M	ISO • ISO 6149	M27	M33	M14	none	T	BSPT • ISO 7	0.75	1.00	0.38	none	<table border="1"> <thead> <tr> <th colspan="2">Options</th> </tr> </thead> <tbody> <tr> <td colspan="2">No options available.</td> </tr> </tbody> </table>	Options		No options available.	
Material																																																																																		
A	Aluminum - 6061-T6 3000† psi • 20.7 MPa																																																																																	
D	Ductile Iron - D4512 5000† psi • 34.5 MPa																																																																																	
† Working pressure should be considered in accordance with ISO 4413 to determine appropriate material type.																																																																																		
Circuit																																																																																		
S	Series Circuit																																																																																	
Valve Pattern																																																																																		
D07	ISO 4401-07-06 NFPA T3.5.1-D07 See Tech Information																																																																																	
No. of Stations																																																																																		
Aluminum																																																																																		
02...04	Available with spacing code 4																																																																																	
Ductile Iron																																																																																		
02...04	Available with spacing code 4																																																																																	
Valve Spacing																																																																																		
4	4.00 inch 101.6 mm																																																																																	
Port Threads																																																																																		
	P,A,B	T	X & Y	GA																																																																														
P	NPTF • ANSI B1.20.3	0.75	1.00	0.38	0.25																																																																													
S	SAE • ISO 11926	-12	-16	-6	-6																																																																													
B	BSPP • ISO 1179	0.75	1.00	0.38	none																																																																													
M	ISO • ISO 6149	M27	M33	M14	none																																																																													
T	BSPT • ISO 7	0.75	1.00	0.38	none																																																																													
Options																																																																																		
No options available.																																																																																		

D08 Manifolds 

D08 Standard Flow Parallel Manifold



No. of stations	* 01	02	03	04	05	06	07	08
"A" length (code 5 spa.) inch [mm]	5.25 [133.4]	10.50 [266.7]	15.75 [400.1]	21.00 [533.4]	26.25 [666.8]	31.50 [800.1]	36.75 [933.5]	42.00 [1066.8]
apx. weight alum lb [kg]	12 [5]	24 [11]	35 [16]	49 [22]	61 [28]	75 [34]	89 [40]	102 [46]
apx. weight ferrous lb [kg]	45 [20]	90 [41]	136 [62]	181 [82]	226 [103]	271 [123]	316 [143]	362 [164]
"A" length (code 7 spa.) inch [mm]	--	12.25 [311.2]	19.25 [489.0]	26.25 [666.8]	33.25 [844.6]			
apx. weight alum lb [kg]	--	28 [13]	44 [20]	60 [27]	76 [34]			
apx. weight ferrous lb [kg]	--	105 [48]	166 [75]	226 [103]	286 [130]			

All mounting hardware is supplied.
See page 65 for itemized list.

Port code	Valve mtg.	Manifold mtg.
P, S	0.50-13 UNC x 1.19 [30] DP	0.50-13 UNC x 0.88 [22.3] DP
B, M, T	M12 ISO 6H x 1.19 [30] DP	M12 ISO 6H x 0.88 [22.3] DP

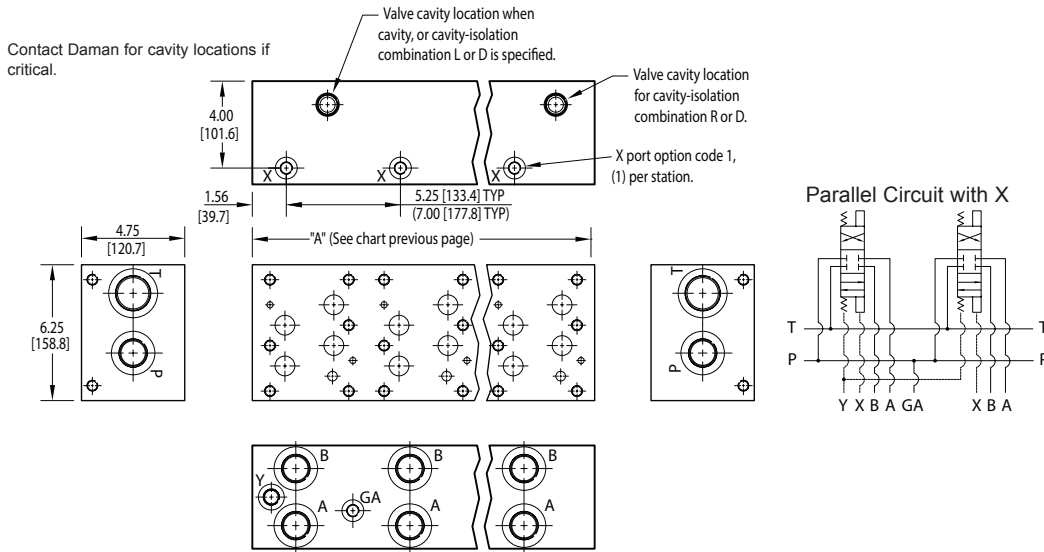
Specifications, descriptions, and dimensional data are subject to correction or change without notice or incurring obligation.
Download latest catalog page revisions at www.daman.com.

Ordering Information

For **coating options**
see pages 245-246.

Material	Valve Pattern	Circuit	No. of Stations	Valve Spacing	Port Threads	Options																																																																																
<table border="1"> <thead> <tr> <th colspan="2">Material</th> </tr> </thead> <tbody> <tr> <td>A</td> <td>Aluminum - 6061-T6 3000† psi • 20.7 MPa</td> </tr> <tr> <td>D</td> <td>Ductile Iron - D4512 5000† psi • 34.5 MPa</td> </tr> </tbody> </table> <p>† Working pressure should be considered in accordance with ISO 4413 to determine appropriate material type.</p>	Material		A	Aluminum - 6061-T6 3000† psi • 20.7 MPa	D	Ductile Iron - D4512 5000† psi • 34.5 MPa	<table border="1"> <thead> <tr> <th colspan="2">Circuit</th> </tr> </thead> <tbody> <tr> <td>P</td> <td>Parallel Circuit Standard Flow</td> </tr> </tbody> </table>	Circuit		P	Parallel Circuit Standard Flow	<table border="1"> <thead> <tr> <th colspan="2">Valve Spacing</th> </tr> </thead> <tbody> <tr> <td>5</td> <td>5.25 inch 133.4 mm</td> </tr> <tr> <td>7</td> <td>7.00 inch 177.8 mm</td> </tr> </tbody> </table>	Valve Spacing		5	5.25 inch 133.4 mm	7	7.00 inch 177.8 mm	<table border="1"> <thead> <tr> <th colspan="2">Options</th> </tr> </thead> <tbody> <tr> <td colspan="2">See next page for available options and ordering codes.</td> </tr> </tbody> </table>	Options		See next page for available options and ordering codes.		<table border="1"> <thead> <tr> <th colspan="2">Valve Pattern</th> </tr> </thead> <tbody> <tr> <td>D08</td> <td>ISO 4401-08-07 NFFPA T3.5.1-D08 See Tech Information</td> </tr> </tbody> </table>	Valve Pattern		D08	ISO 4401-08-07 NFFPA T3.5.1-D08 See Tech Information	<table border="1"> <thead> <tr> <th colspan="2">No. of Stations</th> </tr> </thead> <tbody> <tr> <td colspan="2">Aluminum</td> </tr> <tr> <td>01...08</td> <td>Available with spacing code 5</td> </tr> <tr> <td>02...05</td> <td>Available with spacing code 7</td> </tr> <tr> <td colspan="2">Ductile Iron</td> </tr> <tr> <td>01...08</td> <td>Available with spacing code 5</td> </tr> <tr> <td>02...05</td> <td>Available with spacing code 7</td> </tr> </tbody> </table>	No. of Stations		Aluminum		01...08	Available with spacing code 5	02...05	Available with spacing code 7	Ductile Iron		01...08	Available with spacing code 5	02...05	Available with spacing code 7	<table border="1"> <thead> <tr> <th colspan="2">Port Threads</th> <th>P,A,B</th> <th>T</th> <th>Y</th> <th>X optional</th> <th>GA</th> </tr> </thead> <tbody> <tr> <td>P</td> <td>NPTF • ANSI B1.20.3</td> <td>1.00</td> <td>1.25</td> <td>0.38</td> <td>0.25</td> <td>0.25</td> </tr> <tr> <td>S</td> <td>SAE • ISO 11926</td> <td>-16</td> <td>-20</td> <td>-8</td> <td>-4</td> <td>-6</td> </tr> <tr> <td>B</td> <td>BSPP • ISO 1179</td> <td>1.00</td> <td>1.25</td> <td>0.38</td> <td>0.25</td> <td>none</td> </tr> <tr> <td>M</td> <td>ISO • ISO 6149</td> <td>M33</td> <td>M42</td> <td>M14</td> <td>M10</td> <td>none</td> </tr> <tr> <td>T</td> <td>BSPT • ISO 7</td> <td>1.00</td> <td>1.25</td> <td>0.38</td> <td>0.25</td> <td>none</td> </tr> </tbody> </table>	Port Threads		P,A,B	T	Y	X optional	GA	P	NPTF • ANSI B1.20.3	1.00	1.25	0.38	0.25	0.25	S	SAE • ISO 11926	-16	-20	-8	-4	-6	B	BSPP • ISO 1179	1.00	1.25	0.38	0.25	none	M	ISO • ISO 6149	M33	M42	M14	M10	none	T	BSPT • ISO 7	1.00	1.25	0.38	0.25	none
Material																																																																																						
A	Aluminum - 6061-T6 3000† psi • 20.7 MPa																																																																																					
D	Ductile Iron - D4512 5000† psi • 34.5 MPa																																																																																					
Circuit																																																																																						
P	Parallel Circuit Standard Flow																																																																																					
Valve Spacing																																																																																						
5	5.25 inch 133.4 mm																																																																																					
7	7.00 inch 177.8 mm																																																																																					
Options																																																																																						
See next page for available options and ordering codes.																																																																																						
Valve Pattern																																																																																						
D08	ISO 4401-08-07 NFFPA T3.5.1-D08 See Tech Information																																																																																					
No. of Stations																																																																																						
Aluminum																																																																																						
01...08	Available with spacing code 5																																																																																					
02...05	Available with spacing code 7																																																																																					
Ductile Iron																																																																																						
01...08	Available with spacing code 5																																																																																					
02...05	Available with spacing code 7																																																																																					
Port Threads		P,A,B	T	Y	X optional	GA																																																																																
P	NPTF • ANSI B1.20.3	1.00	1.25	0.38	0.25	0.25																																																																																
S	SAE • ISO 11926	-16	-20	-8	-4	-6																																																																																
B	BSPP • ISO 1179	1.00	1.25	0.38	0.25	none																																																																																
M	ISO • ISO 6149	M33	M42	M14	M10	none																																																																																
T	BSPT • ISO 7	1.00	1.25	0.38	0.25	none																																																																																

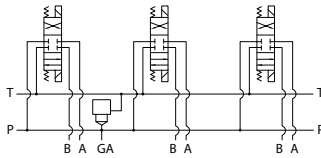
Options - D08 Standard Flow Parallel Manifold



ISOLATIONS		
Daman isolation options allow a manifold to have two independent pressure and/or tank ports. Isolations are drilled rather than plugged to ensure a leakproof and failproof isolation.		
Ordering code letter:	* Isolation is between stations:	Available # of stations:
5.25 [133.4] spacing		
A	01 & 02	02-08
B	02 & 03	03-08
C	03 & 04	04-08
D	04 & 05	05-08
E	05 & 06	06-08
F	06 & 07	07-08
G	07 & 08	08
7.00 [177.8] spacing		
A	01 & 02	02-05
B	02 & 03	03-05
C	03 & 04	04-05
D	04 & 05	05

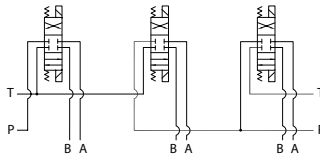
* Stations are numbered left to right.

Parallel Circuit with Cavity



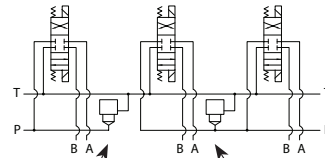
Valves with P in the nose and T out the side must be used.

Parallel Circuit with Isolations



Manifold shown with P isolation between 1 & 2 (PA), and T isolation between 2 & 3 (TB).

Cavity & Isolation Combinations

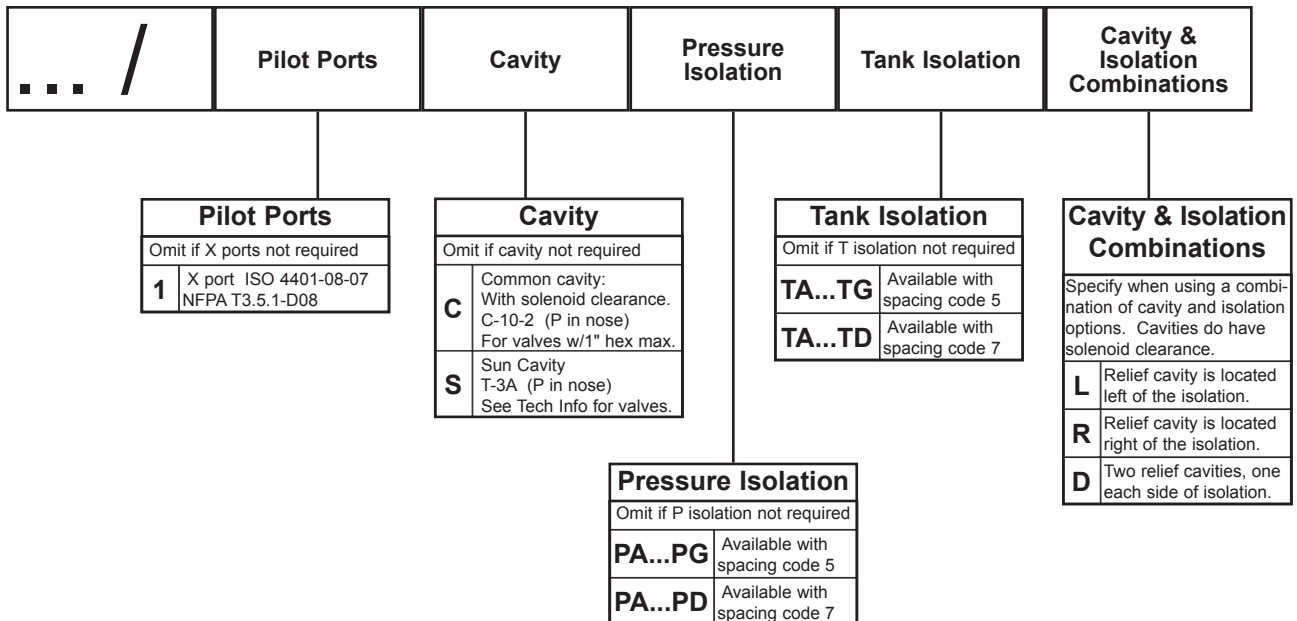


Option code L Cavity left of isolation
Option code R Cavity right of isolation
Option code D includes both cavities

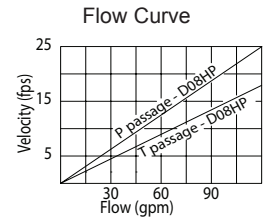
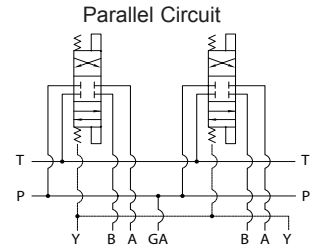
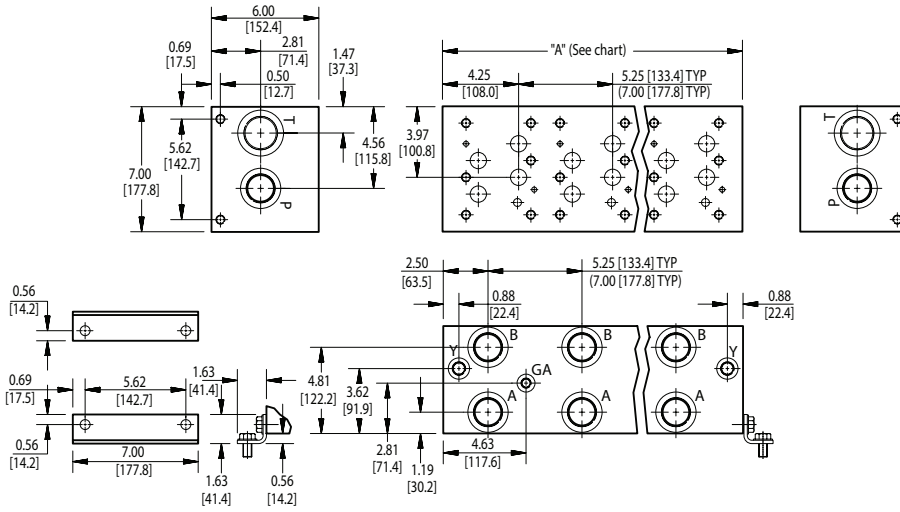
NOTES:

- 1) The GA port is not available on a (1) station manifold.
- 2) The GA port is not available when a pressure isolation is located between stations 1 & 2.

Ordering Information



D08 High Flow Parallel Circuit Manifold



Rated flow Pressure 72 gpm @ 15 fps
Rated flow Tank 100 gpm @ 15 fps

No. of stations	* 01	02	03	04	05	06	07
"A" length (code 5 spa.) inch [mm]	6.25 [158.8]	11.50 [292.1]	16.75 [425.5]	22.00 [558.8]	27.25 [692.2]	32.50 [825.5]	37.75 [958.9]
apx. weight alum lb [kg]	26 [12]	48 [22]	70 [32]	92 [42]	114 [52]	136 [62]	158 [72]
apx. weight ferrous lb [kg]	69 [31]	126 [57]	183 [83]	240 [109]	298 [135]	355 [161]	412 [187]
"A" length (code 7 spa.) inch [mm]	--	13.25 [336.6]	20.25 [514.4]	27.25 [692.2]	34.25 [870.0]	41.25 [1047.8]	--
apx. weight alum lb [kg]	--	55 [25]	85 [39]	114 [52]	143 [65]	173 [78]	--
apx. weight ferrous lb [kg]	--	145 [66]	221 [100]	298 [135]	374 [170]	450 [204]	--

* Gauge port not available on 01 station.

All mounting hardware is supplied.
See page 65 for itemized list.

Port code	Valve mtg.	Manifold mtg.
P, S	0.50-13 UNC x 1.19 [30] DP	0.50-13 UNC x 0.88 [22.3] DP
B, M, T	M12 ISO 6H x 1.19 [30] DP	M12 ISO 6H x 0.88 [22.3] DP

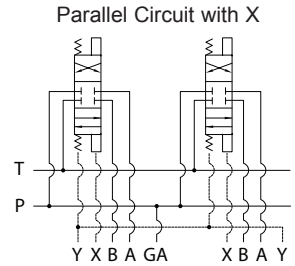
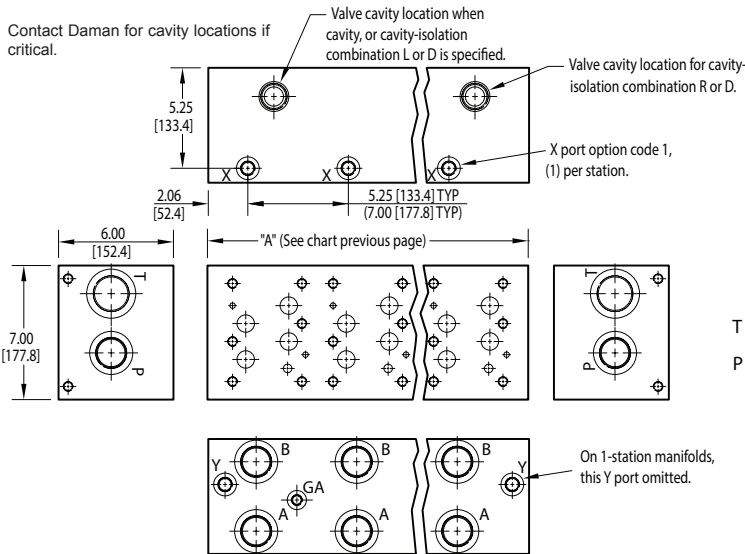
Specifications, descriptions, and dimensional data are subject to correction or change without notice or incurring obligation.
Download latest catalog page revisions at www.daman.com.

Ordering Information

For **coating options**
see pages 245-246.

Material	Valve Pattern	Circuit	No. of Stations	Valve Spacing	Port Threads	Options																																																																																							
<table border="1"> <thead> <tr> <th colspan="2">Material</th> </tr> </thead> <tbody> <tr> <td>A</td> <td>Aluminum - 6061-T6 3000† psi • 20.7 MPa</td> </tr> <tr> <td>D</td> <td>Ductile Iron - D4512 5000† psi • 34.5 MPa</td> </tr> </tbody> </table> <p>† Working pressure should be considered in accordance with ISO 4413 to determine appropriate material type.</p>	Material		A	Aluminum - 6061-T6 3000† psi • 20.7 MPa	D	Ductile Iron - D4512 5000† psi • 34.5 MPa	<table border="1"> <thead> <tr> <th colspan="2">Valve Pattern</th> </tr> </thead> <tbody> <tr> <td>D08</td> <td>ISO 4401-08-07 NFFPA T3.5.1-D08 See Tech Information</td> </tr> </tbody> </table>	Valve Pattern		D08	ISO 4401-08-07 NFFPA T3.5.1-D08 See Tech Information	<table border="1"> <thead> <tr> <th colspan="2">Circuit</th> </tr> </thead> <tbody> <tr> <td>HP</td> <td>Parallel Circuit High Flow</td> </tr> </tbody> </table>	Circuit		HP	Parallel Circuit High Flow	<table border="1"> <thead> <tr> <th colspan="2">No. of Stations</th> </tr> </thead> <tbody> <tr> <td colspan="2">Aluminum</td> </tr> <tr> <td>01...07</td> <td>Available with spacing code 5</td> </tr> <tr> <td>02...06</td> <td>Available with spacing code 7</td> </tr> <tr> <td colspan="2">Ductile Iron</td> </tr> <tr> <td>01...07</td> <td>Available with spacing code 5</td> </tr> <tr> <td>02...05</td> <td>Available with spacing code 7</td> </tr> </tbody> </table>	No. of Stations		Aluminum		01...07	Available with spacing code 5	02...06	Available with spacing code 7	Ductile Iron		01...07	Available with spacing code 5	02...05	Available with spacing code 7	<table border="1"> <thead> <tr> <th colspan="2">Valve Spacing</th> </tr> </thead> <tbody> <tr> <td>5</td> <td>5.25 inch 133.4 mm</td> </tr> <tr> <td>7</td> <td>7.00 inch 177.8 mm</td> </tr> </tbody> </table>	Valve Spacing		5	5.25 inch 133.4 mm	7	7.00 inch 177.8 mm	<table border="1"> <thead> <tr> <th colspan="7">Port Threads</th> </tr> <tr> <th></th> <th>P,A,B</th> <th>T</th> <th>Y</th> <th>X optional</th> <th>GA</th> <th></th> </tr> </thead> <tbody> <tr> <td>P</td> <td>NPTF • ANSI B1.20.3</td> <td>1.25</td> <td>1.50</td> <td>0.38</td> <td>0.25</td> <td>0.25</td> </tr> <tr> <td>S</td> <td>SAE • ISO 11926</td> <td>-20</td> <td>-24</td> <td>-8</td> <td>-4</td> <td>-6</td> </tr> <tr> <td>B</td> <td>BSPP • ISO 1179</td> <td>1.25</td> <td>1.50</td> <td>0.50</td> <td>0.25</td> <td>none</td> </tr> <tr> <td>M</td> <td>ISO • ISO 6149</td> <td>M42</td> <td>M48</td> <td>M16</td> <td>M10</td> <td>none</td> </tr> <tr> <td>T</td> <td>BSPT • ISO 7</td> <td>1.25</td> <td>1.50</td> <td>0.50</td> <td>0.25</td> <td>none</td> </tr> </tbody> </table>	Port Threads								P,A,B	T	Y	X optional	GA		P	NPTF • ANSI B1.20.3	1.25	1.50	0.38	0.25	0.25	S	SAE • ISO 11926	-20	-24	-8	-4	-6	B	BSPP • ISO 1179	1.25	1.50	0.50	0.25	none	M	ISO • ISO 6149	M42	M48	M16	M10	none	T	BSPT • ISO 7	1.25	1.50	0.50	0.25	none	<table border="1"> <thead> <tr> <th colspan="2">Options</th> </tr> </thead> <tbody> <tr> <td colspan="2">See next page for available options and ordering codes.</td> </tr> </tbody> </table>	Options		See next page for available options and ordering codes.	
Material																																																																																													
A	Aluminum - 6061-T6 3000† psi • 20.7 MPa																																																																																												
D	Ductile Iron - D4512 5000† psi • 34.5 MPa																																																																																												
Valve Pattern																																																																																													
D08	ISO 4401-08-07 NFFPA T3.5.1-D08 See Tech Information																																																																																												
Circuit																																																																																													
HP	Parallel Circuit High Flow																																																																																												
No. of Stations																																																																																													
Aluminum																																																																																													
01...07	Available with spacing code 5																																																																																												
02...06	Available with spacing code 7																																																																																												
Ductile Iron																																																																																													
01...07	Available with spacing code 5																																																																																												
02...05	Available with spacing code 7																																																																																												
Valve Spacing																																																																																													
5	5.25 inch 133.4 mm																																																																																												
7	7.00 inch 177.8 mm																																																																																												
Port Threads																																																																																													
	P,A,B	T	Y	X optional	GA																																																																																								
P	NPTF • ANSI B1.20.3	1.25	1.50	0.38	0.25	0.25																																																																																							
S	SAE • ISO 11926	-20	-24	-8	-4	-6																																																																																							
B	BSPP • ISO 1179	1.25	1.50	0.50	0.25	none																																																																																							
M	ISO • ISO 6149	M42	M48	M16	M10	none																																																																																							
T	BSPT • ISO 7	1.25	1.50	0.50	0.25	none																																																																																							
Options																																																																																													
See next page for available options and ordering codes.																																																																																													

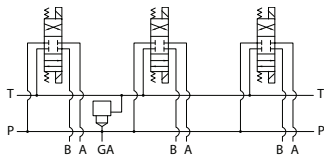
Options - D08 High Flow Parallel Manifold



ISOLATIONS		
Ordering code letter:	* Isolation is between stations:	Available # of stations:
5.25 [133.4] spacing		
A	01 & 02	02-07
B	02 & 03	03-07
C	03 & 04	04-07
D	04 & 05	05-07
E	05 & 06	06-07
F	06 & 07	07
7.00 [177.8] spacing		
A	01 & 02	02-06
B	02 & 03	03-06
C	03 & 04	04-06
D	04 & 05	05-06
E	05 & 06	06

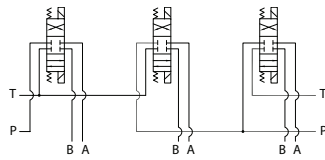
* Stations are numbered left to right.

Parallel Circuit with Cavity



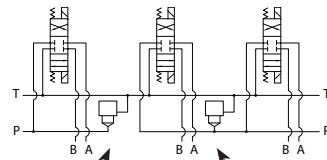
Valves with P in the nose and T out the side must be used.

Parallel Circuit with Isolations



Manifold shown with P isolation between 1 & 2 (PA), and T isolation between 2 & 3 (TB).

Cavity & Isolation Combinations

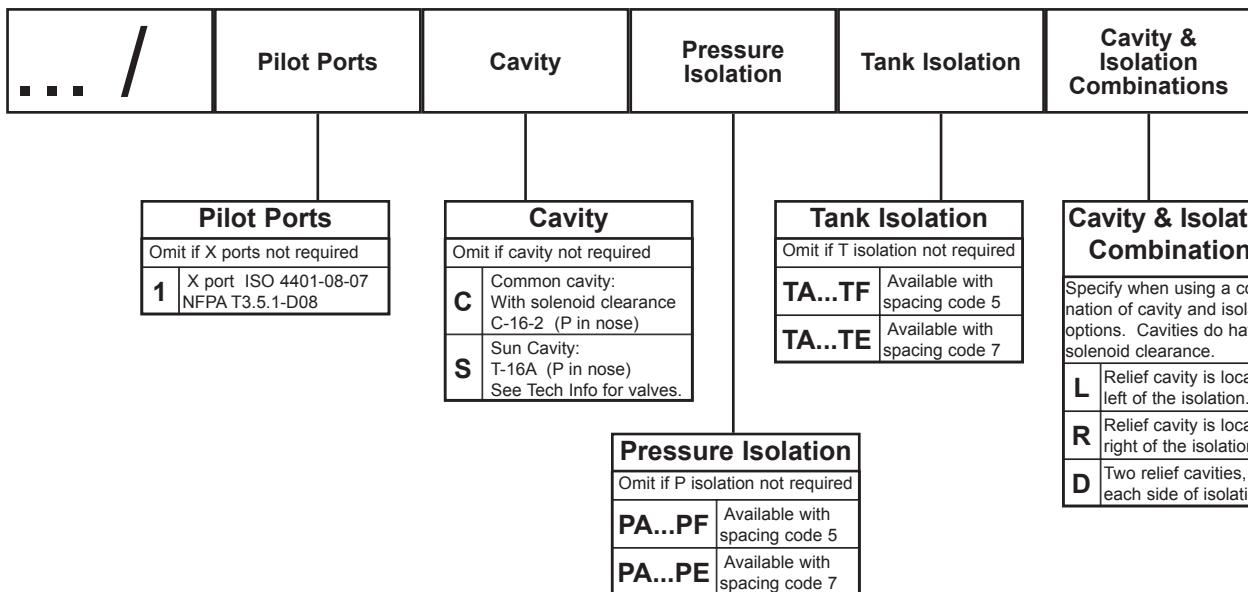


Option code L Cavity left of isolation
Option code R Cavity right of isolation
Option code D includes both cavities

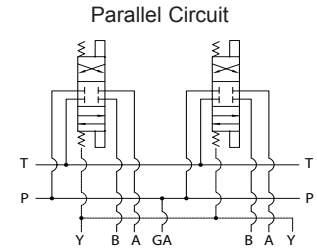
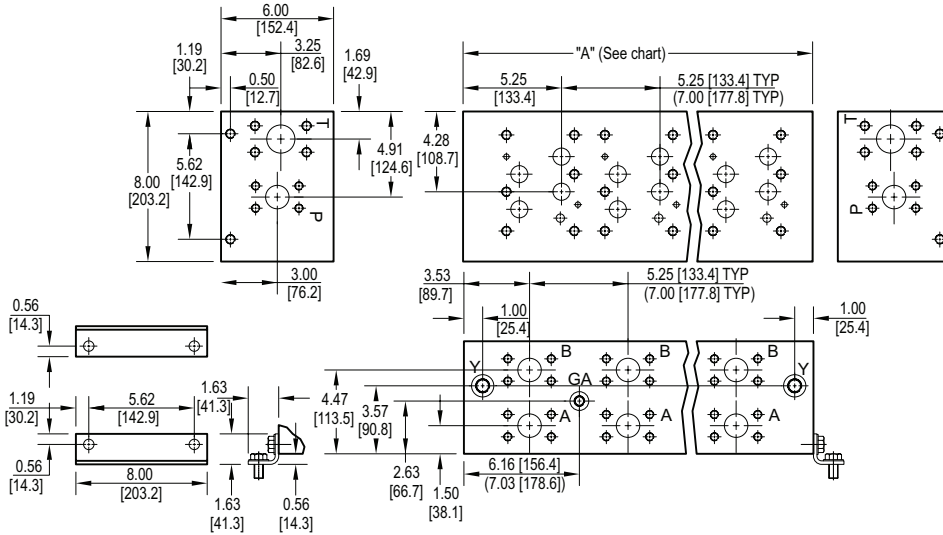
NOTES:

- 1) The GA port is not available on a (1) station manifold.
- 2) The GA port is not available when a pressure isolation is located between stations 1 & 2.

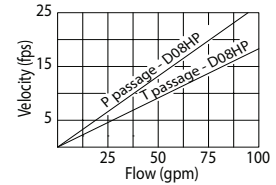
Ordering Information



D08 High Flow Parallel Circuit Manifold - Flange Ports



Parallel Circuit



Rated flow Pressure 57 gpm @ 15 fps
Rated flow Tank 83 gpm @ 15 fps

No. of stations	01	02	03	04	05	06	07
"A" length (code 5 spa.) inch [mm]	7.63 [193.7]	12.88 [327.0]	18.13 [460.4]	23.38 [593.7]	28.63 [727.1]	33.88 [860.4]	39.13 [993.8]
apx. weight alum lb [kg]	37 [16.6]	62 [28]	87 [40]	112 [51]	137 [62]	163 [74]	188 [85]
apx. weight ferrous lb [kg]	99 [45]	167 [76]	235 [107]	303 [137]	371 [168]	439 [199]	507 [230]
"A" length (code 7 spa.) inch [mm]	--	14.63 [371.5]	21.63 [549.3]	28.63 [727.1]	35.63 [904.9]	42.63 [1082.7]	--
apx. weight alum lb [kg]	--	70 [32]	104 [47]	137 [62]	171 [78]	204 [93]	--
apx. weight ferrous lb [kg]	--	190 [86]	280 [127]	371 [168]	462 [210]	552 [250]	--

All mounting hardware is supplied.
See page 65 for itemized list.

Port code	Valve mtg.	Manifold mtg.	Flange mtg.	GA port	Y port	X port *
F	0.50-13 UNC x 1.19 [30] DP	0.50-13 UNC x 0.88 [22] DP	ISO 6162 Type II - Inch	-6 SAE J1926	-8 SAE J1926	-4 SAE J1926
F / M	M12 ISO 6H x 1.19 [30] DP	M12 ISO 6H x 0.88 [22] DP	ISO 6162 Type I - metric	NONE	M16 ISO 6149	M10 ISO 6149

* X port is optional. See options on next page.

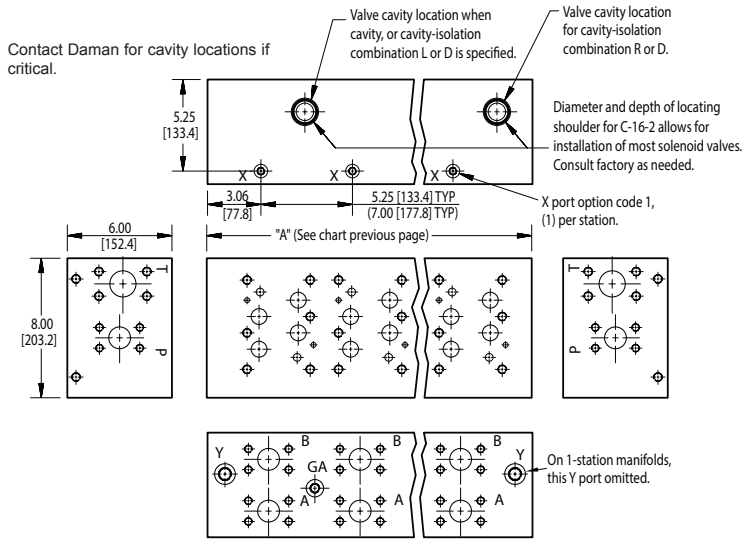
Specifications, descriptions, and dimensional data are subject to correction or change without notice or incurring obligation.
Download latest catalog page revisions at www.daman.com.

Ordering Information

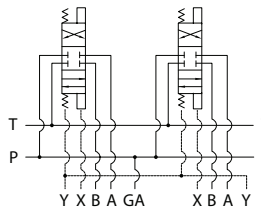
For **coating options**
see pages 245-246.

Material	Valve Pattern	Circuit	No. of Stations	Valve Spacing	Port Threads	Options																																																
<table border="1"> <thead> <tr> <th colspan="2">Material</th> </tr> </thead> <tbody> <tr> <td>A</td> <td>Aluminum - 6061-T6 3000† psi • 20.7 MPa</td> </tr> <tr> <td>D</td> <td>Ductile Iron - D4512 5000† psi • 34.5 MPa</td> </tr> </tbody> </table> <p>† Working pressure should be considered in accordance with ISO 4413 to determine appropriate material type.</p>	Material		A	Aluminum - 6061-T6 3000† psi • 20.7 MPa	D	Ductile Iron - D4512 5000† psi • 34.5 MPa	<table border="1"> <thead> <tr> <th colspan="2">Valve Pattern</th> </tr> </thead> <tbody> <tr> <td>D08</td> <td>ISO 4401-08-07 NFFA T3.5.1-D08 See Tech Information</td> </tr> </tbody> </table>	Valve Pattern		D08	ISO 4401-08-07 NFFA T3.5.1-D08 See Tech Information	<table border="1"> <thead> <tr> <th colspan="2">Circuit</th> </tr> </thead> <tbody> <tr> <td>HP</td> <td>Parallel Circuit High Flow</td> </tr> </tbody> </table>	Circuit		HP	Parallel Circuit High Flow	<table border="1"> <thead> <tr> <th colspan="2">No. of Stations</th> </tr> </thead> <tbody> <tr> <td colspan="2">Aluminum</td> </tr> <tr> <td>01...07</td> <td>Available with spacing code 5</td> </tr> <tr> <td>02...06</td> <td>Available with spacing code 7</td> </tr> <tr> <td colspan="2">Ductile Iron</td> </tr> <tr> <td>01...07</td> <td>Available with spacing code 5</td> </tr> <tr> <td>02...06</td> <td>Available with spacing code 7</td> </tr> </tbody> </table>	No. of Stations		Aluminum		01...07	Available with spacing code 5	02...06	Available with spacing code 7	Ductile Iron		01...07	Available with spacing code 5	02...06	Available with spacing code 7	<table border="1"> <thead> <tr> <th colspan="2">Valve Spacing</th> </tr> </thead> <tbody> <tr> <td>5</td> <td>5.25 inch 133.4 mm</td> </tr> <tr> <td>7</td> <td>7.00 inch 177.8 mm</td> </tr> </tbody> </table>	Valve Spacing		5	5.25 inch 133.4 mm	7	7.00 inch 177.8 mm	<table border="1"> <thead> <tr> <th colspan="3">Port Threads</th> </tr> </thead> <tbody> <tr> <td rowspan="3">F</td> <td>CODE 61 4-Bolt Flange</td> <td></td> </tr> <tr> <td>SAE J518 - CODE 61</td> <td>P,A,B 1.25 CODE 61</td> </tr> <tr> <td>ISO 6162 - 2.5 to 35 MPa</td> <td>T 1.50 CODE 61</td> </tr> </tbody> </table>	Port Threads			F	CODE 61 4-Bolt Flange		SAE J518 - CODE 61	P,A,B 1.25 CODE 61	ISO 6162 - 2.5 to 35 MPa	T 1.50 CODE 61	<table border="1"> <thead> <tr> <th colspan="2">Options</th> </tr> </thead> <tbody> <tr> <td colspan="2">See next page for available options and ordering codes.</td> </tr> </tbody> </table>	Options		See next page for available options and ordering codes.	
Material																																																						
A	Aluminum - 6061-T6 3000† psi • 20.7 MPa																																																					
D	Ductile Iron - D4512 5000† psi • 34.5 MPa																																																					
Valve Pattern																																																						
D08	ISO 4401-08-07 NFFA T3.5.1-D08 See Tech Information																																																					
Circuit																																																						
HP	Parallel Circuit High Flow																																																					
No. of Stations																																																						
Aluminum																																																						
01...07	Available with spacing code 5																																																					
02...06	Available with spacing code 7																																																					
Ductile Iron																																																						
01...07	Available with spacing code 5																																																					
02...06	Available with spacing code 7																																																					
Valve Spacing																																																						
5	5.25 inch 133.4 mm																																																					
7	7.00 inch 177.8 mm																																																					
Port Threads																																																						
F	CODE 61 4-Bolt Flange																																																					
	SAE J518 - CODE 61	P,A,B 1.25 CODE 61																																																				
	ISO 6162 - 2.5 to 35 MPa	T 1.50 CODE 61																																																				
Options																																																						
See next page for available options and ordering codes.																																																						

Options - D08 High Flow Parallel Manifold - Flange Ports



Parallel Circuit with X



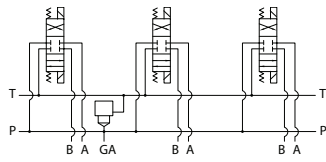
ISOLATIONS

Daman isolation options allow a manifold to have two independent pressure and/or tank ports. Isolations are drilled rather than plugged to ensure a leakproof and failproof isolation.

Ordering code letter:	* Isolation is between stations:	Available # of stations:
5.25 [133.4] spacing		
A	01 & 02	02-07
B	02 & 03	03-07
C	03 & 04	04-07
D	04 & 05	05-07
E	05 & 06	06-07
F	06 & 07	07
7.00 [177.8] spacing		
A	01 & 02	02-06
B	02 & 03	03-06
C	03 & 04	04-06
D	04 & 05	05-06
E	05 & 06	06

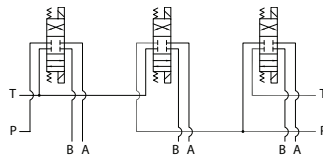
* Stations are numbered left to right.

Parallel Circuit with Cavity



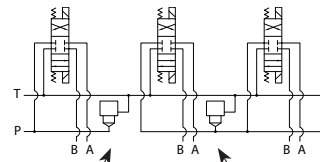
Valves with P in the nose and T out the side must be used.

Parallel Circuit with Isolations



Manifold shown with P isolation between 1 & 2 (PA), and T isolation between 2 & 3 (TB).

Cavity & Isolation Combinations



Option code L
Cavity left of isolation

Option code R
Cavity right of isolation

Option code D includes both cavities

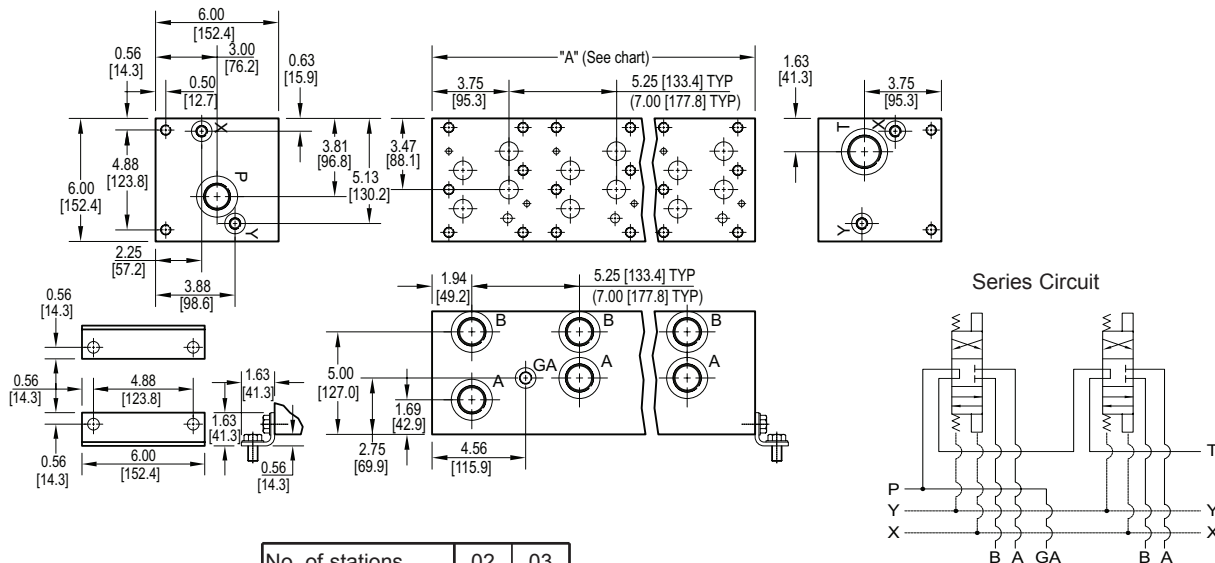
NOTES:

1) The GA port is not available when a pressure isolation is located between stations 1 & 2.

Ordering Information

Thread Type	Pilot Ports	Cavity	Pressure Isolation	Tank Isolation	Cavity & Isolation Combinations																																														
<table border="1"> <tr> <th colspan="2">Thread Type</th> </tr> <tr> <td>Omit</td> <td>Inch threads / ports</td> </tr> <tr> <td>M</td> <td>Metric threads / ports</td> </tr> </table>	Thread Type		Omit	Inch threads / ports	M	Metric threads / ports	<table border="1"> <tr> <th colspan="2">Pilot Ports</th> </tr> <tr> <td colspan="2">Omit if X ports not required</td> </tr> <tr> <td>1</td> <td>X port ISO 4401-08-07 NFPA T3.5.1-D08</td> </tr> </table>	Pilot Ports		Omit if X ports not required		1	X port ISO 4401-08-07 NFPA T3.5.1-D08	<table border="1"> <tr> <th colspan="2">Cavity</th> </tr> <tr> <td colspan="2">Omit if cavity not required</td> </tr> <tr> <td>C</td> <td>Common cavity: C-16-2 (P in nose)</td> </tr> <tr> <td>S</td> <td>Sun Cavity: T-16A (P in nose) See Tech Info for valves.</td> </tr> </table>	Cavity		Omit if cavity not required		C	Common cavity: C-16-2 (P in nose)	S	Sun Cavity: T-16A (P in nose) See Tech Info for valves.	<table border="1"> <tr> <th colspan="2">Pressure Isolation</th> </tr> <tr> <td colspan="2">Omit if P isolation not required</td> </tr> <tr> <td>PA...PF</td> <td>Available with spacing code 5</td> </tr> <tr> <td>PA...PE</td> <td>Available with spacing code 7</td> </tr> </table>	Pressure Isolation		Omit if P isolation not required		PA...PF	Available with spacing code 5	PA...PE	Available with spacing code 7	<table border="1"> <tr> <th colspan="2">Tank Isolation</th> </tr> <tr> <td colspan="2">Omit if T isolation not required</td> </tr> <tr> <td>TA...TF</td> <td>Available with spacing code 5</td> </tr> <tr> <td>TA...TE</td> <td>Available with spacing code 7</td> </tr> </table>	Tank Isolation		Omit if T isolation not required		TA...TF	Available with spacing code 5	TA...TE	Available with spacing code 7	<table border="1"> <tr> <th colspan="2">Relief / Isolation Combinations</th> </tr> <tr> <td colspan="2">Specify when using a combination of cavity and isolation options. Cavities do not have solenoid clearance.</td> </tr> <tr> <td>L</td> <td>Relief cavity is located left of the isolation.</td> </tr> <tr> <td>R</td> <td>Relief cavity is located right of the isolation.</td> </tr> <tr> <td>D</td> <td>Two relief cavities, one each side of isolation.</td> </tr> </table>	Relief / Isolation Combinations		Specify when using a combination of cavity and isolation options. Cavities do not have solenoid clearance.		L	Relief cavity is located left of the isolation.	R	Relief cavity is located right of the isolation.	D	Two relief cavities, one each side of isolation.
Thread Type																																																			
Omit	Inch threads / ports																																																		
M	Metric threads / ports																																																		
Pilot Ports																																																			
Omit if X ports not required																																																			
1	X port ISO 4401-08-07 NFPA T3.5.1-D08																																																		
Cavity																																																			
Omit if cavity not required																																																			
C	Common cavity: C-16-2 (P in nose)																																																		
S	Sun Cavity: T-16A (P in nose) See Tech Info for valves.																																																		
Pressure Isolation																																																			
Omit if P isolation not required																																																			
PA...PF	Available with spacing code 5																																																		
PA...PE	Available with spacing code 7																																																		
Tank Isolation																																																			
Omit if T isolation not required																																																			
TA...TF	Available with spacing code 5																																																		
TA...TE	Available with spacing code 7																																																		
Relief / Isolation Combinations																																																			
Specify when using a combination of cavity and isolation options. Cavities do not have solenoid clearance.																																																			
L	Relief cavity is located left of the isolation.																																																		
R	Relief cavity is located right of the isolation.																																																		
D	Two relief cavities, one each side of isolation.																																																		

D08 Series Circuit Manifold



No. of stations	02	03
"A" length (code 5 spa.) inch [mm]	10.50 [266.7]	15.75 [400.1]
apx. weight alum lb [kg]	37 [17]	51 [23]
apx. weight ferrous lb [kg]	109 [49]	164 [74]
"A" length (code 7 spa.) inch [mm]	12.25 [311.2]	19.25 [489.0]
apx. weight alum lb [kg]	51 [23]	63 [29]
apx. weight ferrous lb [kg]	127 [58]	200 [91]

All mounting hardware is supplied.
See page 65 for itemized list.

Port code	Valve mtg.	Manifold mtg.
P, S	0.50-13 UNC x 1.19 [30] DP	0.50-13 UNC x 0.88 [22.3] DP
B, M, T	M12 ISO 6H x 1.19 [30] DP	M12 ISO 6H x 0.88 [22.3] DP

Specifications, descriptions, and dimensional data are subject to correction or change without notice or incurring obligation.
Download latest catalog page revisions at www.daman.com.

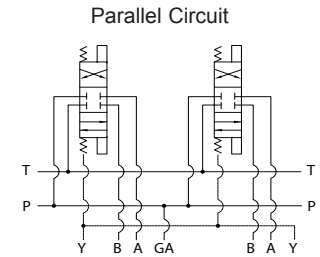
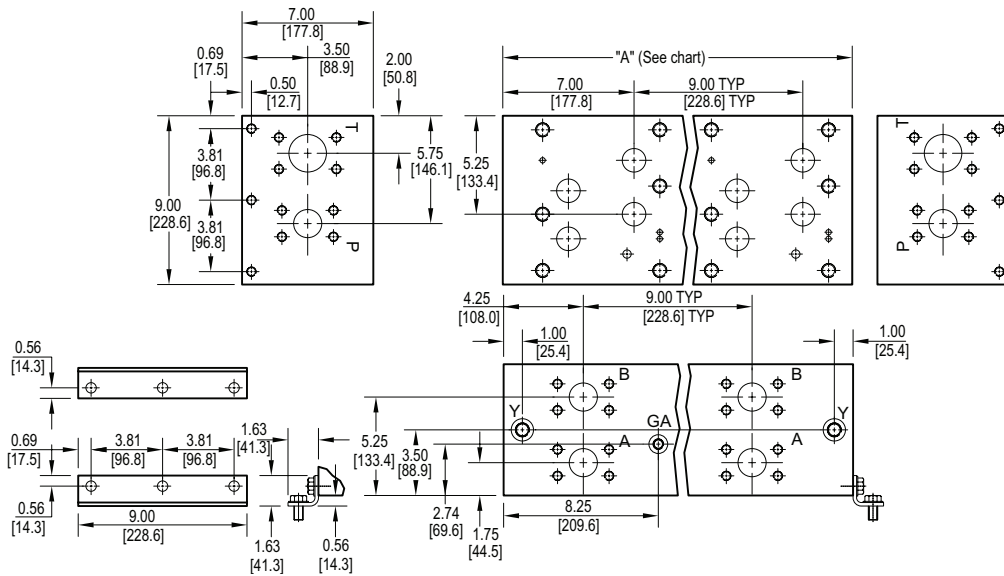
Ordering Information

For **coating options**
see pages 245-246.

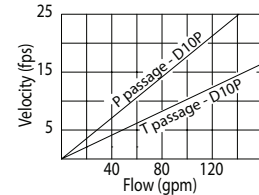
Material	Valve Pattern	Circuit	No. of Stations	Valve Spacing	Port Threads	Options																																																								
<table border="1"> <thead> <tr> <th colspan="2">Material</th> </tr> </thead> <tbody> <tr> <td>A</td> <td>Aluminum - 6061-T6 3000† psi • 20.7 MPa</td> </tr> <tr> <td>D</td> <td>Ductile Iron - D4512 5000† psi • 34.5 MPa</td> </tr> <tr> <td colspan="2">† Working pressure should be considered in accordance with ISO 4413 to determine appropriate material type.</td> </tr> </tbody> </table>	Material		A	Aluminum - 6061-T6 3000† psi • 20.7 MPa	D	Ductile Iron - D4512 5000† psi • 34.5 MPa	† Working pressure should be considered in accordance with ISO 4413 to determine appropriate material type.		<table border="1"> <thead> <tr> <th colspan="2">Circuit</th> </tr> </thead> <tbody> <tr> <td>S</td> <td>Series Circuit</td> </tr> </tbody> </table>	Circuit		S	Series Circuit	<table border="1"> <thead> <tr> <th colspan="2">Valve Spacing</th> </tr> </thead> <tbody> <tr> <td>5</td> <td>5.25 inch 133.4 mm</td> </tr> <tr> <td>7</td> <td>7.00 inch 177.8 mm</td> </tr> </tbody> </table>	Valve Spacing		5	5.25 inch 133.4 mm	7	7.00 inch 177.8 mm	<table border="1"> <thead> <tr> <th colspan="2">Options</th> </tr> </thead> <tbody> <tr> <td colspan="2">No options available.</td> </tr> </tbody> </table>	Options		No options available.																																						
Material																																																														
A	Aluminum - 6061-T6 3000† psi • 20.7 MPa																																																													
D	Ductile Iron - D4512 5000† psi • 34.5 MPa																																																													
† Working pressure should be considered in accordance with ISO 4413 to determine appropriate material type.																																																														
Circuit																																																														
S	Series Circuit																																																													
Valve Spacing																																																														
5	5.25 inch 133.4 mm																																																													
7	7.00 inch 177.8 mm																																																													
Options																																																														
No options available.																																																														
<table border="1"> <thead> <tr> <th colspan="2">Valve Pattern</th> </tr> </thead> <tbody> <tr> <td>D08</td> <td>ISO 4401-08-07 NFFA T3.5.1-D08 See Tech Information</td> </tr> </tbody> </table>	Valve Pattern		D08	ISO 4401-08-07 NFFA T3.5.1-D08 See Tech Information	<table border="1"> <thead> <tr> <th colspan="2">No. of Stations</th> </tr> </thead> <tbody> <tr> <td colspan="2">Aluminum</td> </tr> <tr> <td>02...03</td> <td>Available with spacing code 5</td> </tr> <tr> <td>02...03</td> <td>Available with spacing code 7</td> </tr> <tr> <td colspan="2">Ductile Iron</td> </tr> <tr> <td>02...03</td> <td>Available with spacing code 5</td> </tr> <tr> <td>02...03</td> <td>Available with spacing code 7</td> </tr> </tbody> </table>	No. of Stations		Aluminum		02...03	Available with spacing code 5	02...03	Available with spacing code 7	Ductile Iron		02...03	Available with spacing code 5	02...03	Available with spacing code 7	<table border="1"> <thead> <tr> <th colspan="6">Port Threads</th> </tr> <tr> <th></th> <th>P,A,B</th> <th>T</th> <th>X & Y</th> <th>GA</th> <th></th> </tr> </thead> <tbody> <tr> <td>P</td> <td>NPTF • ANSI B1.20.3</td> <td>1.00</td> <td>1.25</td> <td>0.38</td> <td>0.25</td> </tr> <tr> <td>S</td> <td>SAE • ISO 11926</td> <td>-16</td> <td>-20</td> <td>-6</td> <td>-6</td> </tr> <tr> <td>B</td> <td>BSPP • ISO 1179</td> <td>1.00</td> <td>1.25</td> <td>0.38</td> <td>none</td> </tr> <tr> <td>M</td> <td>ISO • ISO 6149</td> <td>M33</td> <td>M42</td> <td>M14</td> <td>none</td> </tr> <tr> <td>T</td> <td>BSPT • ISO 7</td> <td>1.00</td> <td>1.25</td> <td>0.38</td> <td>none</td> </tr> </tbody> </table>	Port Threads							P,A,B	T	X & Y	GA		P	NPTF • ANSI B1.20.3	1.00	1.25	0.38	0.25	S	SAE • ISO 11926	-16	-20	-6	-6	B	BSPP • ISO 1179	1.00	1.25	0.38	none	M	ISO • ISO 6149	M33	M42	M14	none	T	BSPT • ISO 7	1.00	1.25	0.38	none
Valve Pattern																																																														
D08	ISO 4401-08-07 NFFA T3.5.1-D08 See Tech Information																																																													
No. of Stations																																																														
Aluminum																																																														
02...03	Available with spacing code 5																																																													
02...03	Available with spacing code 7																																																													
Ductile Iron																																																														
02...03	Available with spacing code 5																																																													
02...03	Available with spacing code 7																																																													
Port Threads																																																														
	P,A,B	T	X & Y	GA																																																										
P	NPTF • ANSI B1.20.3	1.00	1.25	0.38	0.25																																																									
S	SAE • ISO 11926	-16	-20	-6	-6																																																									
B	BSPP • ISO 1179	1.00	1.25	0.38	none																																																									
M	ISO • ISO 6149	M33	M42	M14	none																																																									
T	BSPT • ISO 7	1.00	1.25	0.38	none																																																									

D10 Manifolds 

D10 Parallel Circuit Manifold - Flange Ports



Flow Curve



Rated flow Pressure 83 gpm @ 15 fps
Rated flow Tank 147 gpm @ 15 fps

No. of stations	01	02	03	04	05
"A" length inch [mm]	10.00 [254.0]	19.00 [482.6]	28.00 [711.2]	37.00 [939.8]	46.00 [1168.4]
apx. weight alum lb [kg]	63 [29]	120 [54]	176 [80]	233 [106]	290 [132]
apx. weight ferrous lb [kg]	170 [77]	323 [147]	476 [216]	629 [285]	

All mounting hardware is supplied.
See page 65 for itemized list.

Port code	Valve mtg.	Manifold mtg.	Flange mtg.	GA port	Y port	X port
F	0.75-10 UNC x 1.63 [41] DP	0.50-13 UNC x 0.88 [22] DP	ISO 6162 Type II - Inch	-6 SAE J1926	-8 SAE J1926	-6 SAE J1926
F / M	M20 ISO 6H x 1.63 [41] DP	M12 ISO 6H x 0.88 [22] DP	ISO 6162 Type I - metric	NONE	M16 ISO 6149	M14 ISO 6149

* X port is optional. See options on next page.

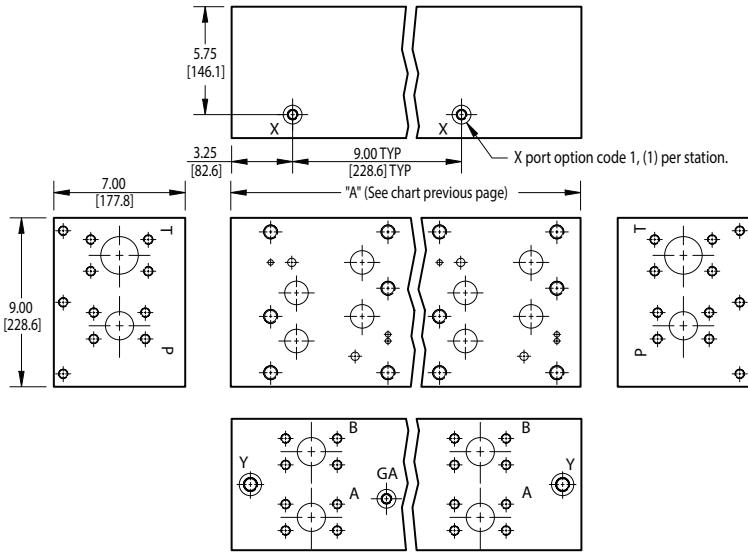
Specifications, descriptions, and dimensional data are subject to correction or change without notice or incurring obligation.
Download latest catalog page revisions at www.daman.com.

Ordering Information

For **coating options**
see pages 245-246.

Material	Valve Pattern	Circuit	No. of Stations	Valve Spacing	Port Threads	Options																																											
<table border="1"> <thead> <tr> <th colspan="2">Material</th> </tr> </thead> <tbody> <tr> <td>A</td> <td>Aluminum - 6061-T6 3000[†] psi • 20.7 MPa</td> </tr> <tr> <td>D</td> <td>Ductile Iron - D4512 5000[†] psi • 34.5 MPa</td> </tr> <tr> <td colspan="2">[†] Working pressure should be considered in accordance with ISO 4413 to determine appropriate material type.</td> </tr> </tbody> </table>	Material		A	Aluminum - 6061-T6 3000 [†] psi • 20.7 MPa	D	Ductile Iron - D4512 5000 [†] psi • 34.5 MPa	[†] Working pressure should be considered in accordance with ISO 4413 to determine appropriate material type.		<table border="1"> <thead> <tr> <th colspan="2">Circuit</th> </tr> </thead> <tbody> <tr> <td>P</td> <td>Parallel Circuit Standard Flow</td> </tr> </tbody> </table>	Circuit		P	Parallel Circuit Standard Flow	<table border="1"> <thead> <tr> <th colspan="2">Valve Spacing</th> </tr> </thead> <tbody> <tr> <td>9</td> <td>9.00 inch 228.6 mm</td> </tr> </tbody> </table>	Valve Spacing		9	9.00 inch 228.6 mm	<table border="1"> <thead> <tr> <th colspan="2">Options</th> </tr> </thead> <tbody> <tr> <td colspan="2">See next page for available options and ordering codes.</td> </tr> </tbody> </table>	Options		See next page for available options and ordering codes.		<table border="1"> <thead> <tr> <th colspan="2">Valve Pattern</th> </tr> </thead> <tbody> <tr> <td>D10</td> <td>ISO 4401-10-08 NFFA T3.5.1-D10 See Tech Information</td> </tr> </tbody> </table>	Valve Pattern		D10	ISO 4401-10-08 NFFA T3.5.1-D10 See Tech Information	<table border="1"> <thead> <tr> <th colspan="2">No. of Stations</th> </tr> </thead> <tbody> <tr> <td colspan="2">Aluminum</td> </tr> <tr> <td>01...05</td> <td>Available with spacing code 9</td> </tr> <tr> <td colspan="2">Ductile Iron</td> </tr> <tr> <td>01...04</td> <td>Available with spacing code 9</td> </tr> </tbody> </table>	No. of Stations		Aluminum		01...05	Available with spacing code 9	Ductile Iron		01...04	Available with spacing code 9	<table border="1"> <thead> <tr> <th colspan="3">Port Threads</th> </tr> </thead> <tbody> <tr> <td>F</td> <td>CODE 61 4-Bolt Flange SAE J518 - CODE 61 ISO 6162 - 2.5 to 35 MPa</td> <td></td> </tr> <tr> <td></td> <td>1.50 CODE 61</td> <td>2.00 CODE 61</td> </tr> </tbody> </table>	Port Threads			F	CODE 61 4-Bolt Flange SAE J518 - CODE 61 ISO 6162 - 2.5 to 35 MPa			1.50 CODE 61	2.00 CODE 61
Material																																																	
A	Aluminum - 6061-T6 3000 [†] psi • 20.7 MPa																																																
D	Ductile Iron - D4512 5000 [†] psi • 34.5 MPa																																																
[†] Working pressure should be considered in accordance with ISO 4413 to determine appropriate material type.																																																	
Circuit																																																	
P	Parallel Circuit Standard Flow																																																
Valve Spacing																																																	
9	9.00 inch 228.6 mm																																																
Options																																																	
See next page for available options and ordering codes.																																																	
Valve Pattern																																																	
D10	ISO 4401-10-08 NFFA T3.5.1-D10 See Tech Information																																																
No. of Stations																																																	
Aluminum																																																	
01...05	Available with spacing code 9																																																
Ductile Iron																																																	
01...04	Available with spacing code 9																																																
Port Threads																																																	
F	CODE 61 4-Bolt Flange SAE J518 - CODE 61 ISO 6162 - 2.5 to 35 MPa																																																
	1.50 CODE 61	2.00 CODE 61																																															

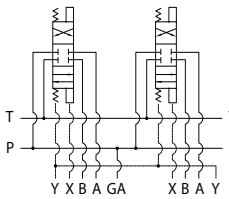
Options - D10 Parallel Manifold - Flange Ports



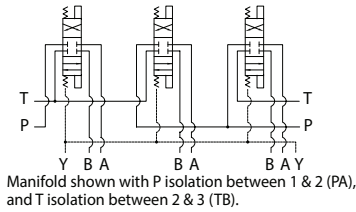
ISOLATIONS		
Daman isolation options allow a manifold to have two independent pressure and/or tank ports. Isolations are drilled rather than plugged to ensure a leakproof and failproof isolation.		
Ordering code letter:	* Isolation is between stations:	Available # of stations:
A	01 & 02	02-05
B	02 & 03	03-05
C	03 & 04	04-05
D	04 & 05	05

* Stations are numbered left to right.

Parallel Circuit with X

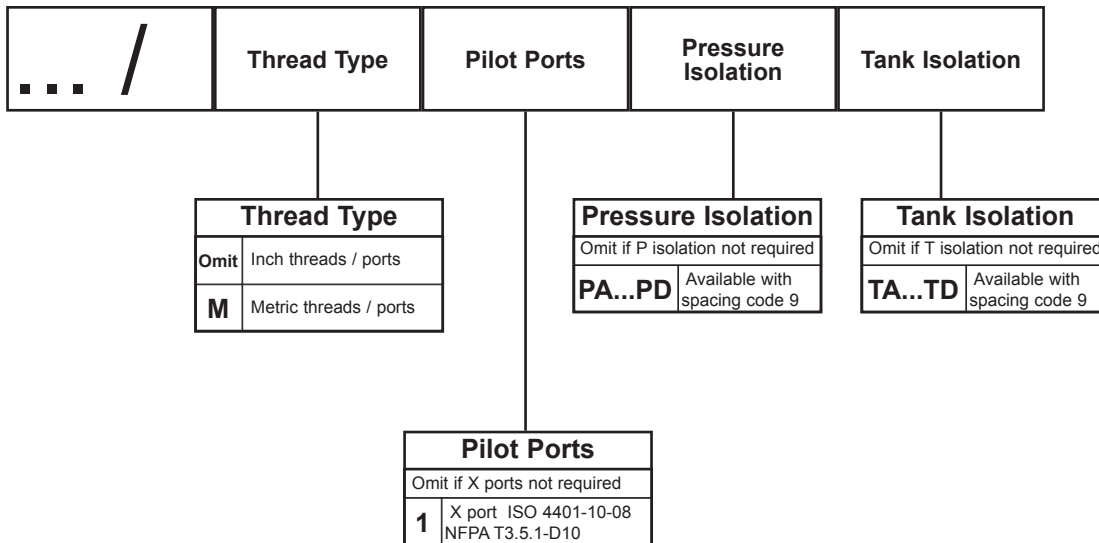


Parallel Circuit with Isolations



Manifold shown with P isolation between 1 & 2 (PA), and T isolation between 2 & 3 (TB).

Ordering Information



This page intentionally blank.



FLEXMOUNT

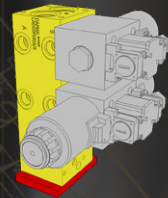
FLEXIBLE STANDARD MANIFOLD SOLUTIONS

FlexMount manifolds offer three flexible mounting options to choose from (vertical mounting, thru bolt mounting, and foot bracket mounting) in a more compact layout package than our traditional D03 and D05 bar manifolds.

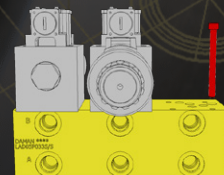
Why choose FlexMount solutions?

- Choose your mounting preference: vertical, thru bolt, or foot bracket.
- Opt for no mounting hardware to reduce cost when you have your own mounting solution.
- Narrow 2.00" valve spacing instead of traditional 2.125" for compact space requirements.
- Pressure gauge port is optional for additional cost savings when GA is not required.
- Smaller compact block size to minimize your manifold footprint.

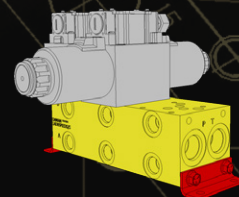
VERTICAL MOUNTING OPTION



THRU BOLT MOUNTING OPTION

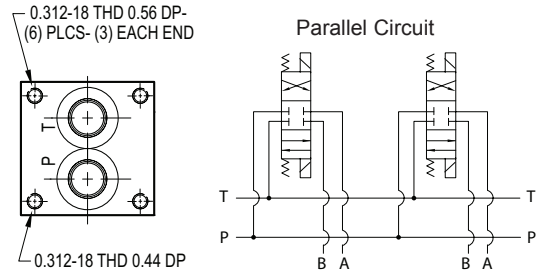
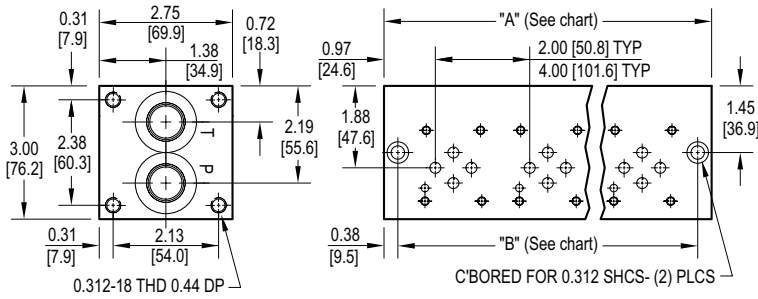


FOOT BRACKET MOUNTING OPTION



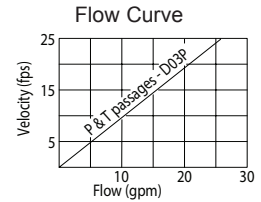
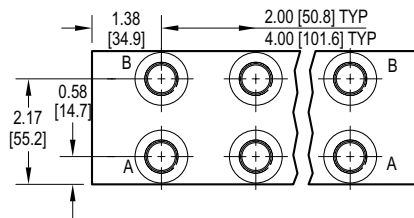
CONTACT US AT INFO@DAMAN.COM TO LEARN MORE

D03 FlexMount Parallel Circuit Manifold



NOTE:
Mounting hardware is sold separately.

See page 62 for available bracket, screw, flange and gasket mounting kits.



Rated flow 14 gpm @ 15 fps

Code 2 (2.00") valve spacing										
No. of stations	* 01	02	03	04	05	06	07	08	09	10
"A" length inch [mm]	2.75 [69.9]	4.75 [120.7]	6.75 [171.5]	8.75 [222.3]	10.75 [273.1]	12.75 [323.9]	14.75 [374.7]	16.75 [425.5]	18.75 [476.3]	20.75 [527.1]
"B" dimension inch [mm]	2.00 [50.8]	4.00 [101.6]	6.00 [152.4]	8.00 [203.2]	10.00 [254.0]	12.00 [304.8]	14.00 [355.6]	16.00 [406.4]	18.00 [457.2]	20.00 [508.0]
apx. weight alum lb [kg]	2.5 [1.2]	4 [2]	6 [3]	7.5 [4]	9 [4.5]	11 [5]	12 [5.5]	14 [6.5]	15.5 [7]	17 [8]
apx. weight ferrous lb [kg]	6 [3]	10.5 [5]	15 [7]	19 [9]	23 [11]	28 [13]				

Code 4 (4.00") valve spacing				
No. of stations	02	03	04	05
"A" length inch [mm]	6.75 [171.5]	10.75 [273.1]	14.75 [374.7]	18.75 [476]
"B" dimension inch [mm]	6.00 [152.4]	10.00 [254.0]	14.00 [355.6]	18.00 [457.2]
apx. weight alum lb [kg]	6 [3]	9 [4.5]	13 [6]	15 [7]
apx. weight ferrous lb [kg]	15 [8]	23 [12]	32 [15]	

* "A" length of 01 station with relief cavity is 3.75 [95.3]. "B" dimension is 3.00 [76.2].

Specifications, descriptions, and dimensional data are subject to correction or change without notice or incurring obligation. Download latest catalog page revisions at www.daman.com.

Ordering Information

For **coating options** see pages 245-246.

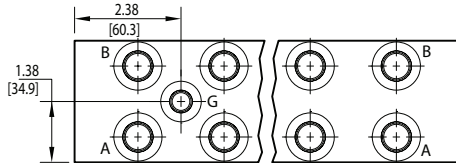
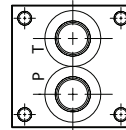
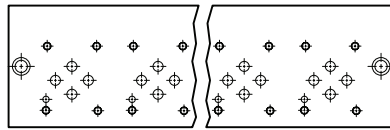
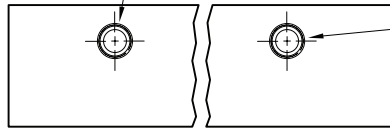
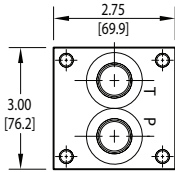
Product Line	Material	Valve Pattern	Circuit	No. of Stations	Valve Spacing	Port Threads	Options																																											
L FlexMount	<table border="1"> <tr> <th>Material</th> <td>A Aluminum - 6061-T6 3000† psi • 20.7 MPa</td> <td>D Ductile Iron - D4512 5000† psi • 34.5 MPa</td> </tr> <tr> <td>† Working pressure should be considered in accordance with ISO 4413 to determine appropriate material type.</td> <td></td> <td></td> </tr> </table>	Material	A Aluminum - 6061-T6 3000† psi • 20.7 MPa	D Ductile Iron - D4512 5000† psi • 34.5 MPa	† Working pressure should be considered in accordance with ISO 4413 to determine appropriate material type.			D03 ISO 4401-03-02 NFPA T3.5.1-D03 See Tech Information	P Parallel Circuit Standard Flow	<table border="1"> <tr> <th colspan="2">Aluminum</th> </tr> <tr> <td>01...10</td> <td>Available with spacing code 2</td> </tr> <tr> <td>02...05</td> <td>Available with spacing code 4</td> </tr> <tr> <th colspan="2">Ductile Iron</th> </tr> <tr> <td>01...06</td> <td>Available with spacing code 2</td> </tr> <tr> <td>02...04</td> <td>Available with spacing code 4</td> </tr> </table>	Aluminum		01...10	Available with spacing code 2	02...05	Available with spacing code 4	Ductile Iron		01...06	Available with spacing code 2	02...04	Available with spacing code 4	<table border="1"> <tr> <th colspan="2">Valve Spacing</th> </tr> <tr> <td>2</td> <td>2.00 inch [50.8 mm]</td> </tr> <tr> <td>4</td> <td>4.00 inch [101.6 mm]</td> </tr> </table>	Valve Spacing		2	2.00 inch [50.8 mm]	4	4.00 inch [101.6 mm]	<table border="1"> <tr> <th colspan="3">Port Threads</th> </tr> <tr> <th>P & T</th> <th>A & B</th> <td></td> </tr> <tr> <td>P</td> <td>NPTF • ANSI B1.20.3</td> <td>0.50</td> </tr> <tr> <td>S</td> <td>SAE • ISO 11926</td> <td>-10</td> </tr> <tr> <td></td> <td></td> <td>-8</td> </tr> </table>	Port Threads			P & T	A & B		P	NPTF • ANSI B1.20.3	0.50	S	SAE • ISO 11926	-10			-8	<table border="1"> <tr> <th colspan="2">Options</th> </tr> <tr> <td colspan="2">See next page for available options and ordering codes.</td> </tr> </table>	Options		See next page for available options and ordering codes.	
Material	A Aluminum - 6061-T6 3000† psi • 20.7 MPa	D Ductile Iron - D4512 5000† psi • 34.5 MPa																																																
† Working pressure should be considered in accordance with ISO 4413 to determine appropriate material type.																																																		
Aluminum																																																		
01...10	Available with spacing code 2																																																	
02...05	Available with spacing code 4																																																	
Ductile Iron																																																		
01...06	Available with spacing code 2																																																	
02...04	Available with spacing code 4																																																	
Valve Spacing																																																		
2	2.00 inch [50.8 mm]																																																	
4	4.00 inch [101.6 mm]																																																	
Port Threads																																																		
P & T	A & B																																																	
P	NPTF • ANSI B1.20.3	0.50																																																
S	SAE • ISO 11926	-10																																																
		-8																																																
Options																																																		
See next page for available options and ordering codes.																																																		

Options - D03 FlexMount Parallel Manifold

Contact Daman for cavity locations if critical.

Valve cavity location when cavity, or cavity-isolation combination L or D is specified.

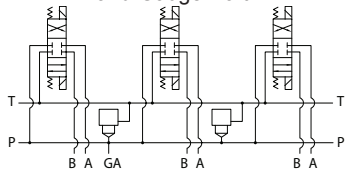
Valve cavity location for cavity-isolation combination R or D.



ISOLATIONS		
Daman isolation options allow a manifold to have two independent pressure and/or tank ports. Isolations are drilled rather than plugged to ensure a leakproof and failproof isolation.		
Ordering code letter:	* Isolation is between stations:	Available # of stations:
2.00 [50.8] spacing		
A	01 & 02	02-10
B	02 & 03	03-10
C	03 & 04	04-10
D	04 & 05	05-10
E	05 & 06	06-10
F	06 & 07	07-10
G	07 & 08	08-10
H	08 & 09	09-10
J	09 & 10	10
4.00 [101.6] spacing		
A	01 & 02	02-05
B	02 & 03	03-05
C	03 & 04	04-05
D	04 & 05	05

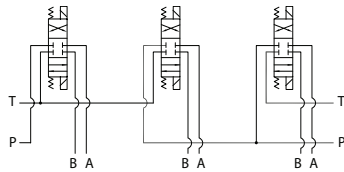
* Stations are numbered left to right.

Parallel Circuit with Cavity and Gauge Port



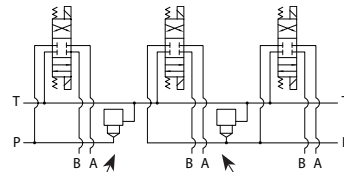
Valves with P in the nose and T out the side must be used.

Parallel Circuit with Isolations



Manifold shown with P isolation between 1 & 2 (PA), and T isolation between 2 & 3 (TB).

Cavity & Isolation Combinations



Option code L Cavity left of isolation
Option code R Cavity right of isolation
Option code D includes both cavities

NOTES:

- 1) The GA port is not available on a (1) station manifold.
- 2) The GA port is not available when a pressure isolation is specified.
- 3) Some cavity and isolation combinations are not possible. Consult factory to determine availability.

Ordering Information

...	Gauge Port	Cavity	Pressure Isolation	Tank Isolation	Cavity & Isolation Combinations
-----	-------------------	---------------	---------------------------	-----------------------	--

Gauge Port	
Omit if gauge port not required.	
G	Gauge Port for system pressure
If Port Thread code is: P, then Gauge port = 0.25 NPTF S, then Gauge port = -4 SAE	

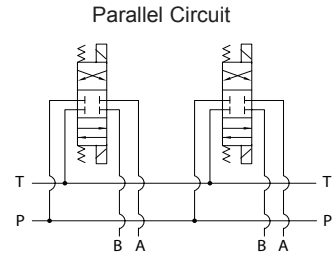
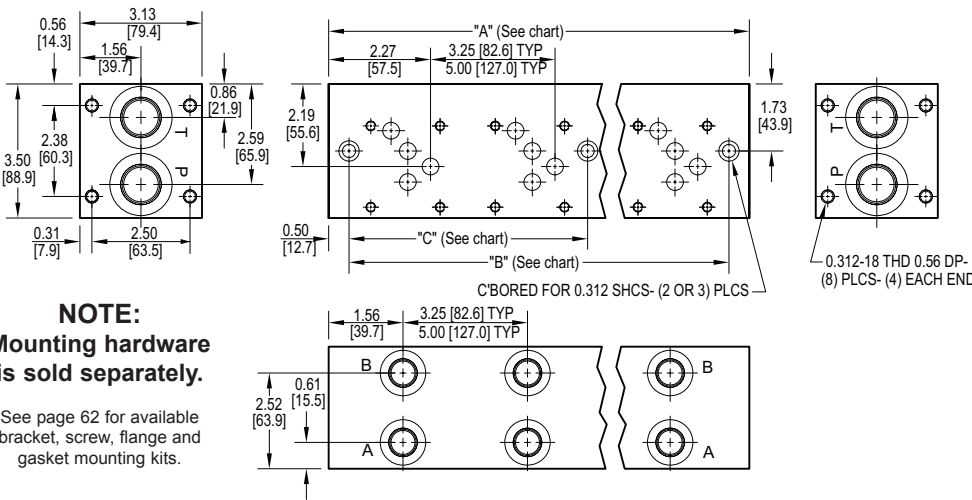
Cavity	
Omit if cavity not required.	
C	Common cavity: No solenoid clearance C-10-2 (P in nose) For valves w/1" hex max.
S	Sun Cavity: T-10A (P in nose) See Tech Info for valves.

Tank Isolation	
Omit if T isolation not required.	
TA...TJ	Available with spacing code 2
TA...TD	Available with spacing code 4

Relief / Isolation Combinations	
Specify when using a combination of cavity and isolation options. Cavities do not have solenoid clearance.	
L	Relief cavity is located left of the isolation.
R	Relief cavity is located right of the isolation.
D	Two relief cavities, one each side of isolation.

Pressure Isolation	
Omit if P isolation not required. Not available with G option.	
PA...PJ	Available with spacing code 2
PA...PD	Available with spacing code 4

D05 FlexMount Parallel Circuit Manifold



NOTE:
Mounting hardware is sold separately.

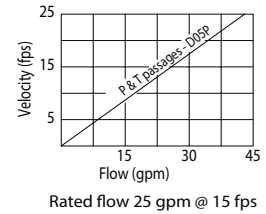
See page 62 for available bracket, screw, flange and gasket mounting kits.

Code 3 (3.25") valve spacing							
No. of stations	* 01	02	03	04	05	06	07
"A" length inch [mm]	3.25 [82.6]	6.50 [165.1]	9.75 [247.7]	13.00 [330.2]	16.25 [412.8]	19.50 [495.3]	22.75 [577.9]
"B" dimension inch [mm]	2.25 [57.2]	5.50 [139.7]	8.75 [222.3]	12.00 [304.8]	15.25 [387.4]	18.50 [469.9]	21.75 [552.5]
"C" dimension inch [mm]	--	--	--	--	6.00 [152.4]	9.25 [235.0]	12.50 [317.5]
apx. weight alum lb [kg]	4 [2]	7.5 [3]	11 [5]	14.5 [7]	18 [8]	21.5 [10]	25 [12]
apx. weight ferrous lb [kg]	9.5 [4.5]	19 [8.5]	28 [13]	37 [17]	46.5 [21]	56 [25.5]	

Code 5 (5.00") valve spacing				
No. of stations	02	03	04	05
"A" length inch [mm]	8.25 [209.6]	13.25 [336.6]	18.25 [463.6]	23.25 [590.6]
"B" dimension inch [mm]	7.25 [184.2]	12.25 [311.2]	17.25 [438.2]	22.25 [565.2]
"C" dimension inch [mm]	--	--	8.63 [219.1]	13.63 [346.1]
apx. weight alum lb [kg]	9 [4]	15 [7]	20 [9]	25 [12]
apx. weight ferrous lb [kg]	24 [11]	38 [17]	52 [24]	

* "A" length of 01 station with relief cavity is 4.50 [114.3]. "B" dimension is 3.50 [88.9].

Flow Curve



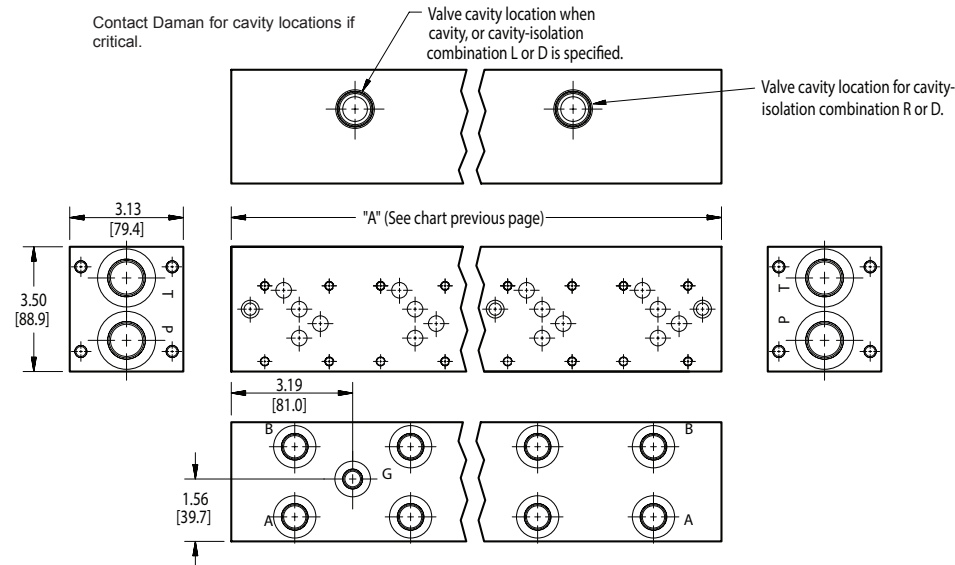
Specifications, descriptions, and dimensional data are subject to correction or change without notice or incurring obligation. Download latest catalog page revisions at www.daman.com.

Ordering Information

For **coating options** see pages 245-246.

Product Line	Material	Valve Pattern	Circuit	No. of Stations	Valve Spacing	Port Threads	Options																					
L FlexMount	<table border="1"> <tr><th>Material</th></tr> <tr><td>A Aluminum - 6061-T6 3000† psi • 20.7 MPa</td></tr> <tr><td>D Ductile Iron - D4512 5000† psi • 34.5 MPa</td></tr> <tr><td>† Working pressure should be considered in accordance with ISO 4413 to determine appropriate material type.</td></tr> </table>	Material	A Aluminum - 6061-T6 3000† psi • 20.7 MPa	D Ductile Iron - D4512 5000† psi • 34.5 MPa	† Working pressure should be considered in accordance with ISO 4413 to determine appropriate material type.	<table border="1"> <tr><th>Valve Pattern</th></tr> <tr><td>D05 ISO 4401-05-04 INFA T3.5.1-D05 See Tech Information</td></tr> </table>	Valve Pattern	D05 ISO 4401-05-04 INFA T3.5.1-D05 See Tech Information	<table border="1"> <tr><th>Circuit</th></tr> <tr><td>P Parallel Circuit Standard Flow</td></tr> </table>	Circuit	P Parallel Circuit Standard Flow	<table border="1"> <tr><th>No. of Stations</th></tr> <tr><td>01...07 Available with spacing code 3</td></tr> <tr><td>02...05 Available with spacing code 5</td></tr> <tr><td>01...06 Available with spacing code 3</td></tr> <tr><td>02...04 Available with spacing code 5</td></tr> </table>	No. of Stations	01...07 Available with spacing code 3	02...05 Available with spacing code 5	01...06 Available with spacing code 3	02...04 Available with spacing code 5	<table border="1"> <tr><th>Valve Spacing</th></tr> <tr><td>3 3.25 inch [82.6 mm]</td></tr> <tr><td>5 5.00 inch [127.0 mm]</td></tr> </table>	Valve Spacing	3 3.25 inch [82.6 mm]	5 5.00 inch [127.0 mm]	<table border="1"> <tr><th>Port Threads</th></tr> <tr><td>P NPTF • ANSI B1.20.3</td></tr> <tr><td>S SAE • ISO 11926</td></tr> </table>	Port Threads	P NPTF • ANSI B1.20.3	S SAE • ISO 11926	<table border="1"> <tr><th>Options</th></tr> <tr><td>See next page for available options and ordering codes.</td></tr> </table>	Options	See next page for available options and ordering codes.
Material																												
A Aluminum - 6061-T6 3000† psi • 20.7 MPa																												
D Ductile Iron - D4512 5000† psi • 34.5 MPa																												
† Working pressure should be considered in accordance with ISO 4413 to determine appropriate material type.																												
Valve Pattern																												
D05 ISO 4401-05-04 INFA T3.5.1-D05 See Tech Information																												
Circuit																												
P Parallel Circuit Standard Flow																												
No. of Stations																												
01...07 Available with spacing code 3																												
02...05 Available with spacing code 5																												
01...06 Available with spacing code 3																												
02...04 Available with spacing code 5																												
Valve Spacing																												
3 3.25 inch [82.6 mm]																												
5 5.00 inch [127.0 mm]																												
Port Threads																												
P NPTF • ANSI B1.20.3																												
S SAE • ISO 11926																												
Options																												
See next page for available options and ordering codes.																												

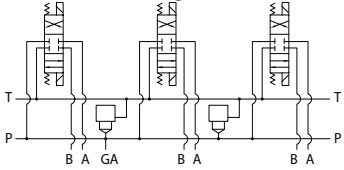
Options - D05 FlexMount Parallel Manifold



ISOLATIONS		
Daman isolation options allow a manifold to have two independent pressure and/or tank ports. Isolations are drilled rather than plugged to ensure a leakproof and failproof isolation.		
Ordering code letter:	* Isolation is between stations:	Available # of stations:
3.25 [82.6] spacing		
A	01 & 02	02-07
B	02 & 03	03-07
C	03 & 04	04-07
D	04 & 05	05-07
E	05 & 06	06-07
F	06 & 07	07
5.00 [127.0] spacing		
A	01 & 02	02-05
B	02 & 03	03-05
C	03 & 04	04-05
D	04 & 05	05

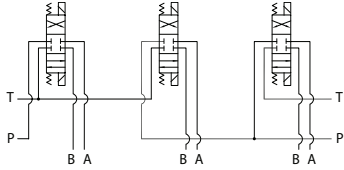
* Stations are numbered left to right.

Parallel Circuit with Cavity and Gauge Port



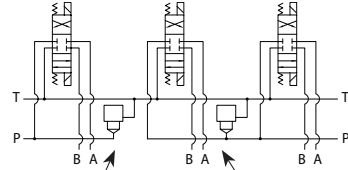
Valves with P in the nose and T out the side must be used.

Parallel Circuit with Isolations



Manifold shown with P isolation between 1 & 2 (PA), and T isolation between 2 & 3 (TB).

Cavity & Isolation Combinations



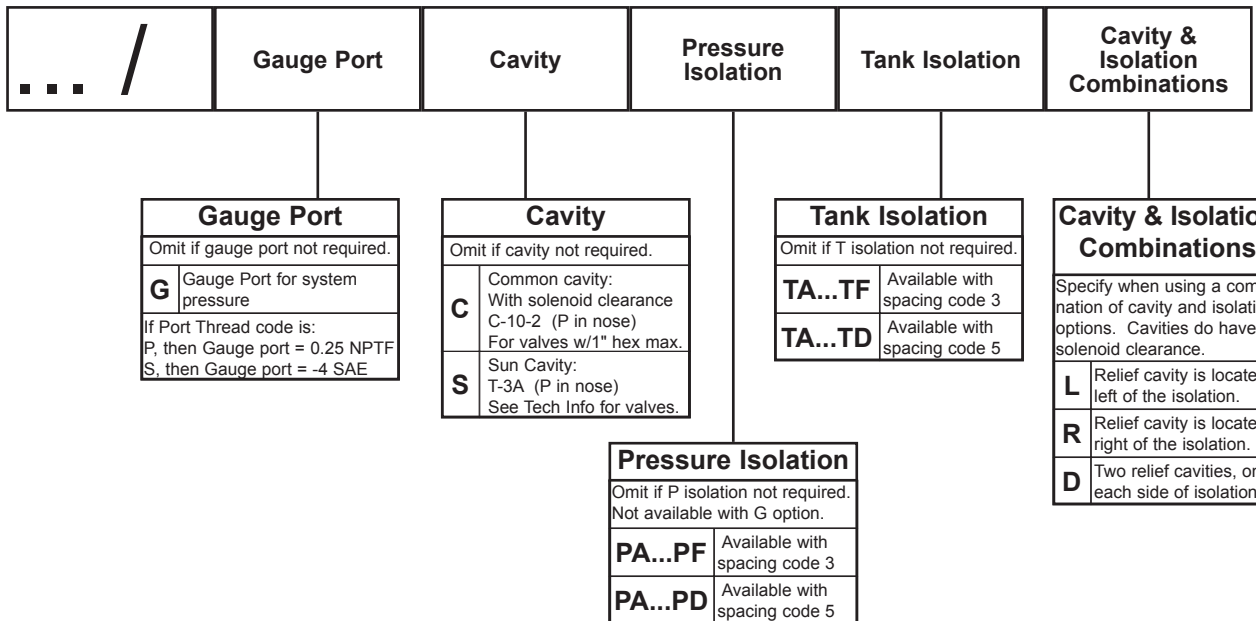
Option code L
Cavity left of isolation

Option code R
Cavity right of isolation

Option code D includes both cavities

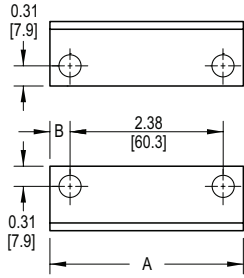
- NOTES:**
- 1) The GA port is not available on a (1) station manifold.
 - 2) The GA port is not available when a pressure isolation is specified.
 - 3) Some cavity and isolation combinations are not possible. Consult factory to determine availability.

Ordering Information

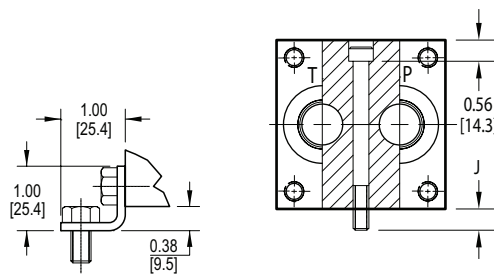


Mounting Kits for FlexMount Manifolds

Mounting Bracket

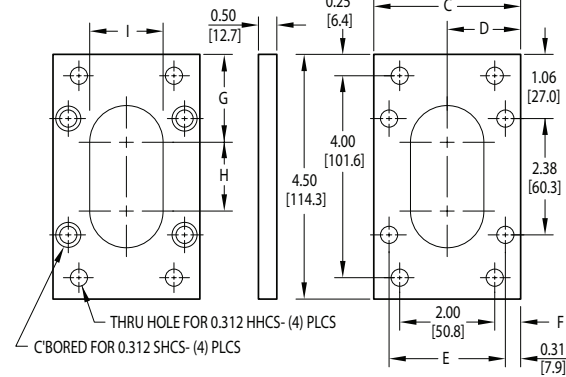


Mounting Screw

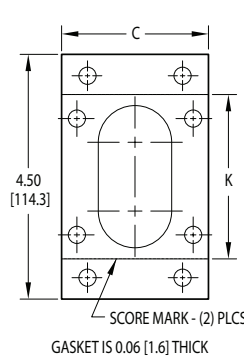


Dim	A	B	C	D	E	F	G	H	I	J	K
D03	3.00 [76.2]	0.31 [7.9]	2.75 [69.9]	1.38 [34.9]	2.13 [54.0]	0.38 [9.5]	1.47 [37.3]	1.47 [37.3]	1.33 [33.7]	0.56 [14.3]	3.25 [82.6]
D05	3.50 [88.9]	0.56 [14.3]	3.13 [79.4]	1.56 [39.7]	2.50 [63.5]	0.56 [14.3]	1.36 [34.6]	1.73 [44.0]	1.61 [41.0]	0.69 [17.5]	3.53 [89.7]

Mounting Flange



Gasket

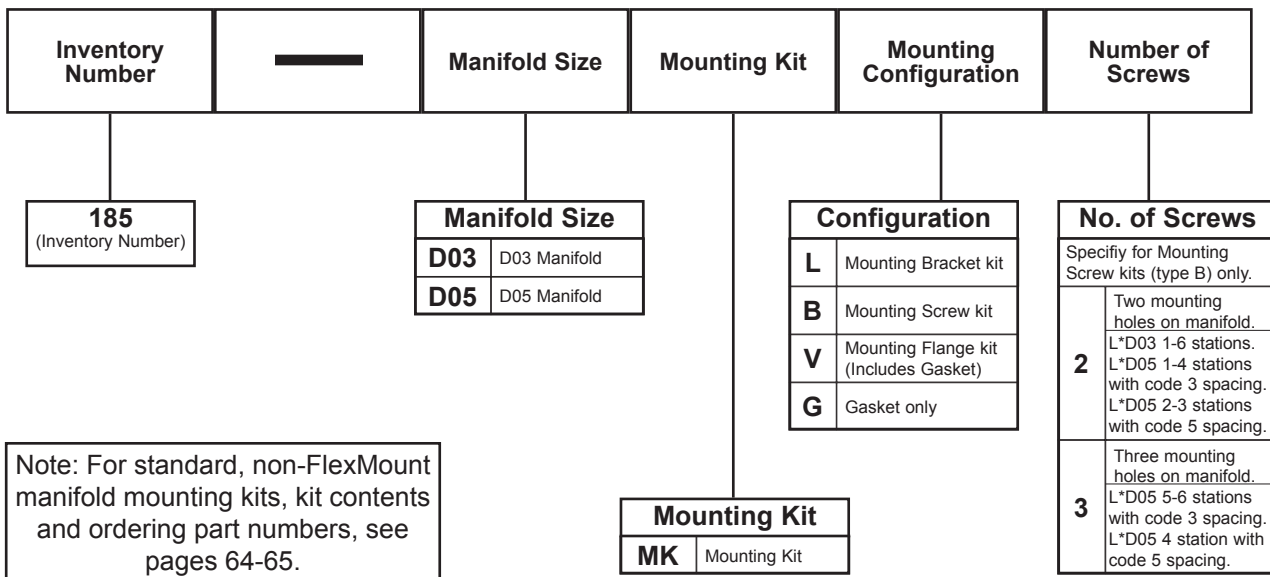


Bill of Materials

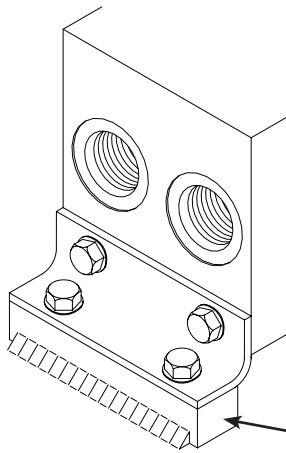
Mounting Bracket and Mounting Flange Kits	185-D03MKL	185-D03MKV	185-D05MKL	185-D05MKV
(2) zinc coated steel brackets	•	•	•	•
(1) zinc coated steel end mounting plate		•		•
(8) 0.312-18 x 0.63 long hex washer head cap screws	•	•	•	•
(1) 0.312-18 x 0.50 long socket head cap screw		•		
(3) 0.312-18 x 0.63 long socket head cap screws		•		
(4) 0.312-18 x 0.75 long socket head cap screws				•
(4) 0.312-18 x 1.00 long hex head cap screws		•		•
(4) 0.312 high collar lock washers		•		•
(1) Tank top gasket		•		•
Mounting Screw Kits	185-D03MKB2	185-D05MKB2	185-D05MKB3	
(2) 0.312-18 x 2.75 long socket head cap screws	•			
(2) 0.312-18 x 3.25 long socket head cap screws		•		
(3) 0.312-18 x 3.25 long socket head cap screws			•	

Specifications, descriptions, and dimensional data are subject to correction or change without notice or incurring obligation. Download latest catalog page revisions at www.daman.com.

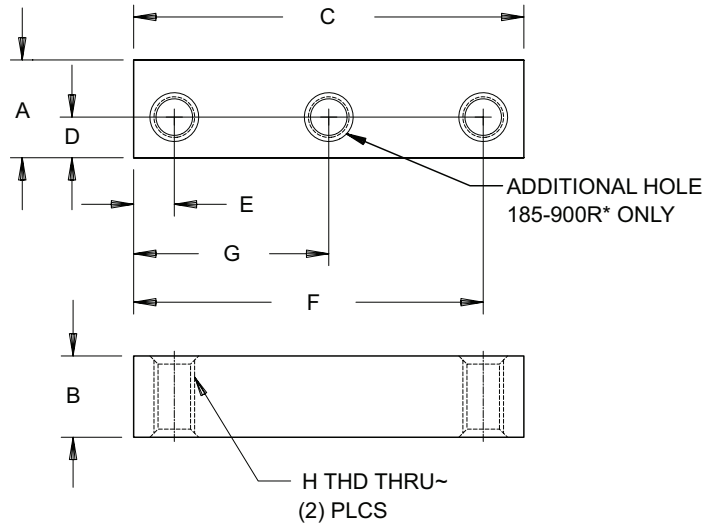
Ordering Information



Mounting Bracket Riser Blocks



Riser block
Material mild steel
Weldable • uncoated

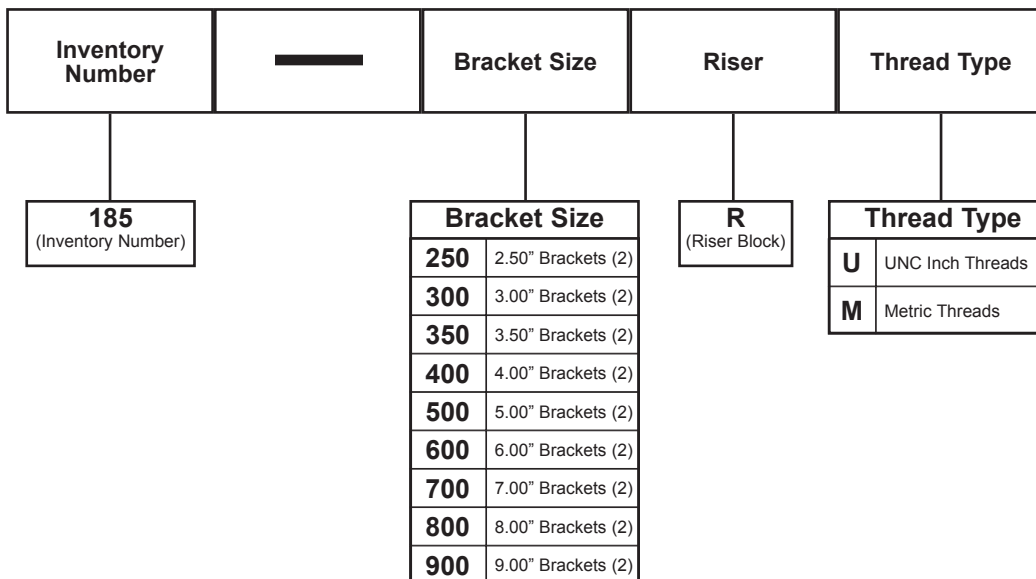


Part No.	A	B	C	D	E	F	G	H THD
185-250RU	0.63	0.50	2.50	0.25	0.25	2.25		0.250-20 UNC-2B
185-250RM	[16.0]	[12.7]	[63.5]	[6.4]	[6.4]	[57.2]	--	M6 x 1 ISO 6H
185-300RU	0.75	0.63	3.00	0.31	0.31	2.69		0.312-18 UNC-2B
185-300RM	[19.1]	[16.0]	[76.2]	[7.9]	[7.9]	[68.3]	--	M8 x 1.25 ISO 6H
185-350RU	0.75	0.63	3.50	0.31	0.56	2.94		0.312-18 UNC-2B
185-350RM	[19.1]	[16.0]	[88.9]	[7.9]	[14.2]	[74.6]	--	M8 x 1.25 ISO 6H
185-400RU	0.75	0.63	4.00	0.31	0.31	3.69		0.312-18 UNC-2B
185-400RM	[19.1]	[16.0]	[101.6]	[7.9]	[7.9]	[93.7]	--	M8 x 1.25 ISO 6H
185-500RU	1.00	0.75	5.00	0.44	0.44	4.56		0.375-16 UNC-2B
185-500RM	[25.4]	[19.1]	[127.0]	[11.2]	[11.2]	[115.9]	--	M10 x 1.5 ISO 6H

Part No.	A	B	C	D	E	F	G	H THD
185-600RU	1.25	1.00	6.00	0.56	0.56	5.44		0.500-13 UNC-2B
185-600RM	[31.8]	[25.4]	[152.4]	[14.2]	[14.2]	[138.1]	--	M12 x 1.75 ISO 6H
185-700RU	1.25	1.00	7.00	0.56	0.69	6.31		0.500-13 UNC-2B
185-700RM	[31.8]	[25.4]	[177.8]	[14.2]	[17.5]	[160.3]	--	M12 x 1.75 ISO 6H
185-800RU	1.25	1.00	8.00	0.56	1.19	6.81		0.500-13 UNC-2B
185-800RM	[31.8]	[25.4]	[203.2]	[14.2]	[30.2]	[173.0]	--	M12 x 1.75 ISO 6H
185-900RU	1.25	1.00	9.00	0.56	0.69	8.31	4.50	0.500-13 UNC-2B
185-900RM	[31.8]	[25.4]	[228.6]	[14.2]	[17.5]	[211.1]	[114.3]	M12 x 1.75 ISO 6H

Specifications, descriptions, and dimensional data are subject to correction or change without notice or incurring obligation. Download latest catalog page revisions at www.daman.com.

Ordering Information



Manifold Mounting Hardware*

Part no.	Cat. pg.	Mtg. Kit no.	Gauge Port Plug	Mounting Screws	Brackets
* D02 P 01 1 P	8-9	185-250-MKO	n/a		
* D02 P 01 1 S	8-9	185-250-MKO	n/a	(8) UNC 0.25-20 x 0.50 long hex washer cap screw	
* D02 *** 1 P	8-11	185-250-MKP	(1) 0.25-18 NPTF LSPP		(2) Steel brackets
* D02 *** 1 S	8-11	185-250-MKS	(1) -6 SAE hex socket plug		
* D02 *** 1 B	8-11	185-250-MKM	n/a	(8) ISO 6H M6-1.0 x 12mm HHCS	
* D02 *** 1 M	8-11	185-250-MKM	n/a	and (8) 0.25 SAE N series washers	
* D02 *** 1 T	8-11	185-250-MKM	n/a		
* D03 P 01 2 P	12-13	185-300-MKO	n/a		
* D03 P 01 2 S	12-13	185-300-MKO	n/a	(8) UNC 0.31-18 x 0.63 long hex washer cap screw	
* D03 *** * P	12-13, 22-23	185-300-MKP	(1) 0.25-18 NPTF LSPP		(2) Steel brackets
* D03 *** * S	12-13, 22-23	185-300-MKS	(1) -6 SAE hex socket plug		
* D03 *** * B	12-13, 22-23	185-300-MKM	n/a	(8) ISO 6H M8-1.25 x 16mm HHCS	
* D03 *** * M	12-13, 22-23	185-300-MKM	n/a	and (8) 0.31 SAE N series washers	
* D03 *** * T	12-13, 22-23	185-300-MKM	n/a		
* D03 TF *	15	185-400-MKO	n/a	(8) UNC 0.31-18 x 0.63 long hex washer cap screw	
* D03 HP 01 2 P	16-17	185-400-MKO	n/a		
* D03 HP 01 2 S	16-17	185-400-MKO	n/a	(8) UNC 0.31-18 x 0.63 long hex washer cap screw	
* D03 HP ** * P	16-17	185-400-MKP	(1) 0.25-18 NPTF LSPP		(2) Steel brackets
* D03 HP ** * S	16-17	185-400-MKS	(1) -6 SAE hex socket plug		
* D03 HP ** * B	16-17	185-400-MKM	n/a	(8) ISO 6H M8-1.25 x 16mm HHCS	
* D03 HP ** * M	16-17	185-400-MKM	n/a	and (8) 0.31 SAE N series washers	
* D03 HP ** * T	16-17	185-400-MKM	n/a		
* D03 HP 01 4 F	18-19	185-500-MKO	n/a	(8) UNC 0.38-16 x 0.88 long HHCS	
* D03 HP ** 4 F	18-19	185-500-MKS	(1) -6 SAE hex socket plug	and (8) 0.38 SAE N series washers	
* D03 HP ** 4 F/M	18-19	185-500-MKM	n/a	(8) ISO 6H M10-1.5 x 24mm HHCS and (8) 0.38 SAE N series washers	(2) Steel brackets
* D05 P 01 3 P	24-25	185-350-MKO	n/a		
* D05 P 01 3 S	24-25	185-350-MKO	n/a	(8) UNC 0.31-18 x 0.63 long hex washer cap screw	
* D05 *** * P	24-25, 36-37	185-350-MKP	(1) 0.25-18 NPTF LSPP		(2) Steel brackets
* D05 *** * S	24-25, 36-37	185-350-MKS	(1) -6 SAE hex socket plug		
* D05 *** * B	24-25, 36-37	185-350-MKM	n/a	(8) ISO 6H M8-1.25 x 16mm HHCS	
* D05 *** * M	24-25, 36-37	185-350-MKM	n/a	and (8) 0.31 SAE N series washers	
* D05 *** * T	24-25, 36-37	185-350-MKM	n/a		
* D05 TF *	27	185-400-MKO	n/a	(8) UNC 0.31-18 x 0.63 long hex washer cap screw	
* D05 HP 01 3 P	28-29	185-500-MKO	n/a		
* D05 HP 01 3 S	28-29	185-500-MKO	n/a	(8) UNC 0.38-16 x 0.88 long HHCS	(2) Steel brackets
* D05 H* ** * P	28-29, 38-39	185-500-MKP	(1) 0.25-18 NPTF LSPP	and (8) 0.38 SAE N series washers	
* D05 H* ** * S	28-29, 38-39	185-500-MKS	(1) -6 SAE hex socket plug		
* D05 H* ** * B	28-29, 38-39	185-500-MKM	n/a	(8) ISO 6H M10-1.5 x 24mm HHCS	
* D05 H* ** * M	28-29, 38-39	185-500-MKM	n/a	and (8) 0.38 SAE N series washers	
* D05 H* ** * T	28-29, 38-39	185-500-MKM	n/a		
* D05 HP 01 5 F	30-31	185-500-MKO	n/a	(8) UNC 0.38-16 x 0.88 long HHCS	(2) Steel brackets
* D05 HP ** 5 F	30-31	185-500-MKS	(1) -6 SAE hex socket plug	and (8) 0.38 SAE N series washers	
* D05 HP ** 5 F/M	30-31	185-500-MKM	n/a	(8) ISO 6H M10-1.5 x 24mm HHCS and (8) 0.38 SAE N series washers	(2) Steel brackets

*Mounting hardware not supplied for stainless steel products.

Manifold Mounting Hardware*

Part no.	Cat. pg.	Mtg. Kit no.	Gauge Port Plug	Mounting Screws	Brackets
* D05 JP 01 3 P	34-35	185-500-MKO	n/a	(8) UNC 0.38-16 x 0.88 long HHCS and (8) 0.38 SAE N series washers	(2) Steel brackets
* D05 JP 01 3 S	34-35	185-500-MKO	n/a		
* D05 JP ** P	34-35	185-500-MKP	(1) 0.25-18 NPTF LSPP	(8) ISO 6H M10-1.5 x 24mm HHCS and (8) 0.38 SAE N series washers	(2) Steel brackets
* D05 JP ** S	34-35	185-500-MKS	(1) -6 SAE hex socket plug		
* D05 JP ** B	34-35	185-500-MKM	n/a	(8) ISO 6H M10-1.5 x 24mm HHCS and (8) 0.38 SAE N series washers	(2) Steel brackets
* D05 JP ** M	34-35	185-500-MKM	n/a		
* D05 JP ** T	34-35	185-500-MKM	n/a	(8) ISO 6H M10-1.5 x 24mm HHCS and (8) 0.38 SAE N series washers	(2) Steel brackets
* D07 P 01 3 P	40-41	185-500-MKO	n/a		
* D07 P 01 3 S	40-41	185-500-MKO	n/a	(8) UNC 0.38-16 x 0.88 long HHCS and (8) 0.38 SAE N series washers	(2) Steel brackets
* D07 P ** P	40-41	185-500-MKP	(1) 0.25-18 NPTF LSPP		
* D07 P ** S	40-41	185-500-MKS	(1) -6 SAE hex socket plug	(8) ISO 6H M10-1.5 x 24mm HHCS and (8) 0.38 SAE N series washers	(2) Steel brackets
* D07 P ** B	40-41	185-500-MKM	n/a		
* D07 P ** M	40-41	185-500-MKM	n/a	(8) ISO 6H M10-1.5 x 24mm HHCS and (8) 0.38 SAE N series washers	(2) Steel brackets
* D07 P ** T	40-41	185-500-MKM	n/a		
* D07 HP 01 4 P	42-43	185-600-MKO	n/a	(8) UNC 0.50-13 x 1.00 long HHCS and (8) 0.50 SAE N series washers	(2) Steel brackets
* D07 HP 01 4 S	42-43	185-600-MKO	n/a		
* D07 HP ** 4 P	42-43	185-600-MKP	(1) 0.25-18 NPTF LSPP	(8) ISO 6H M12-1.75 x 25mm HHCS and (8) 0.50 SAE N series washers	(2) Steel brackets
* D07 HP ** 4 S	42-43	185-600-MKS	(1) -6 SAE hex socket plug		
* D07 HP ** 4 B	42-43	185-600-MKM	n/a	(8) ISO 6H M12-1.75 x 25mm HHCS and (8) 0.50 SAE N series washers	(2) Steel brackets
* D07 HP ** 4 M	42-43	185-600-MKM	n/a		
* D07 HP ** 4 T	42-43	185-600-MKM	n/a	(8) ISO 6H M12-1.75 x 25mm HHCS and (8) 0.50 SAE N series washers	(2) Steel brackets
* D07 HP 01 4 F	44-45	185-700-MKO	n/a		
* D07 HP ** 4 F	44-45	185-700-MKS	(1) -6 SAE hex socket plug	(8) UNC 0.50-13 x 1.00 long HHCS and (8) 0.50 SAE N series washers	(2) Steel brackets
* D07 HP ** 4 F/M	44-45	185-700-MKM	n/a		
* D07 S ** 4 P	46	185-600-MKP	(1) 0.25-18 NPTF LSPP	(8) UNC 0.50-13 x 1.00 long HHCS and (8) 0.50 SAE N series washers	(2) Steel brackets
* D07 S ** 4 S	46	185-600-MKS	(1) -6 SAE hex socket plug		
* D07 S ** 4 B	46	185-600-MKM	n/a	(8) ISO 6H M12-1.75 x 25mm HHCS and (8) 0.50 SAE N series washers	(2) Steel brackets
* D07 S ** 4 M	46	185-600-MKM	n/a		
* D07 S ** 4 T	46	185-600-MKM	n/a	(8) ISO 6H M12-1.75 x 25mm HHCS and (8) 0.50 SAE N series washers	(2) Steel brackets
* D08 P 01 5 P	48-49	185-600-MKO	n/a		
* D08 P 01 5 S	48-49	185-600-MKO	n/a	(8) UNC 0.50-13 x 1.00 long HHCS and (8) 0.50 SAE N series washers	(2) Steel brackets
* D08 * ** P	48-49, 54	185-600-MKP	(1) 0.25-18 NPTF LSPP		
* D08 * ** S	48-49, 54	185-600-MKS	(1) -6 SAE hex socket plug	(8) ISO 6H M12-1.75 x 25mm HHCS and (8) 0.50 SAE N series washers	(2) Steel brackets
* D08 * ** B	48-49, 54	185-600-MKM	n/a		
* D08 * ** M	48-49, 54	185-600-MKM	n/a	(8) ISO 6H M12-1.75 x 25mm HHCS and (8) 0.50 SAE N series washers	(2) Steel brackets
* D08 * ** T	48-49, 54	185-600-MKM	n/a		
* D08 HP 01 5 P	50-51	185-700-MKO	n/a	(8) UNC 0.50-13 x 1.00 long HHCS and (8) 0.50 SAE N series washers	(2) Steel brackets
* D08 HP 01 5 S	50-51	185-700-MKO	n/a		
* D08 HP ** P	50-51	185-700-MKP	(1) 0.25-18 NPTF LSPP	(8) ISO 6H M12-1.75 x 25mm HHCS and (8) 0.50 SAE N series washers	(2) Steel brackets
* D08 HP ** S	50-51	185-700-MKS	(1) -6 SAE hex socket plug		
* D08 HP ** B	50-51	185-700-MKM	n/a	(8) ISO 6H M12-1.75 x 25mm HHCS and (8) 0.50 SAE N series washers	(2) Steel brackets
* D08 HP ** M	50-51	185-700-MKM	n/a		
* D08 HP ** T	50-51	185-700-MKM	n/a	(8) ISO 6H M12-1.75 x 25mm HHCS and (8) 0.50 SAE N series washers	(2) Steel brackets
* D08 HP ** F	52-53	185-800-MKS	(1) -6 SAE hex socket plug		
* D08 HP ** F/M	52-53	185-800-MKM	n/a	(8) ISO 6H M12-1.75 x 25mm HHCS and (8) 0.50 SAE N series washers	(2) Steel brackets
* D10 P ** 9 F	56-57	185-900-MKS	(1) -6 SAE hex socket plug		
* D10 P ** 9 F/M	56-57	185-900-MKM	n/a	(12) ISO 6H M12-1.75 x 25mm HHCS and (12) 0.50 SAE N series washers	(2) Steel brackets

*Mounting hardware not supplied for stainless steel products.

COVERPLATES




Daman®

1811 North Home Street - Mishawaka, Indiana 46545-7267 USA

North America: 800.959.7841 · Fax: 800.241.7664

International: Tel: +1.574.259.7841 · Fax: +1.574.259.7665

Email: sales@daman.com · Web: www.daman.com

COVER PLATES

D02 Cover Plates	Page 70
D03 Cover Plates	Page 71
D05 Cover Plates	Page 72
D05 Cover Plates with Pilot Ports	Page 73
D07 Cover Plates	Page 74
D08 Cover Plates	Page 75
D10 Cover Plates	Page 76
2F06, 2F07 Cover Plates	Page 77
P06, P08, P10 Cover Plates	Page 78
R06, R08, R10 Cover Plates	Page 79
I08, I10 Cover Plates	Page 79
S04, S06 Cover Plates	Pages 80-81
Mounting Hardware	Pages 82-83



Cover Plates

The pages in this section are our standard product offerings for cover plates. If you need a custom cover plate solution please visit www.daman.com for Request For Quote (RFQ) instructions.

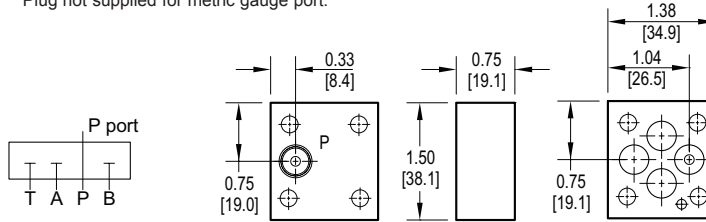
D02 Cover Plates

Parallel Circuit Cover Plate with Gauge Port

Cover Plate mounting hardware is supplied. *

See page 82 for itemized list.

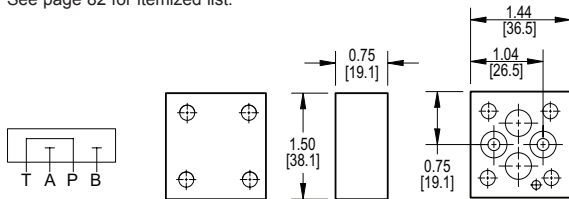
* Plug not supplied for metric gauge port.



Series Circuit Cover Plate: P to T

Cover Plate mounting hardware is supplied.

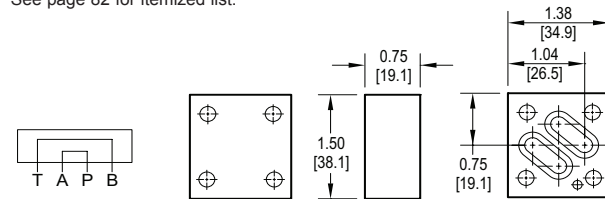
See page 82 for itemized list.



Crossover Cover Plate: P to A; B to T

Cover Plate mounting hardware is supplied.

See page 82 for itemized list.



Specifications, descriptions, and dimensional data are subject to correction or change without notice or incurring obligation. Download latest catalog page revisions at www.daman.com.

Ordering Information

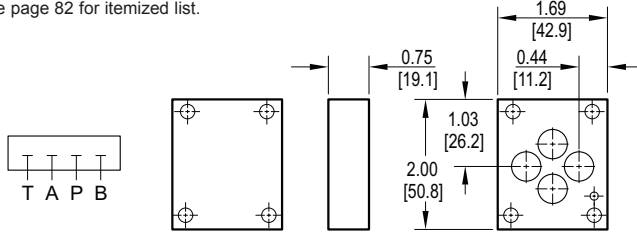
Material	Valve Pattern	Circuit	Gauge Port	Bolt Threads																																
<table border="1"> <thead> <tr> <th colspan="2">Material</th> </tr> </thead> <tbody> <tr> <td>A</td> <td>Aluminum - 6061-T6 3000[†] psi • 20.7 MPa</td> </tr> <tr> <td>D</td> <td>Ductile Iron - D4512 5000[†] psi • 34.5 MPa</td> </tr> <tr> <td colspan="2"> [†] Working pressure should be considered in accordance with ISO 4413 to determine appropriate material type. </td> </tr> </tbody> </table>	Material		A	Aluminum - 6061-T6 3000 [†] psi • 20.7 MPa	D	Ductile Iron - D4512 5000 [†] psi • 34.5 MPa	[†] Working pressure should be considered in accordance with ISO 4413 to determine appropriate material type.		<table border="1"> <thead> <tr> <th colspan="2">Valve Pattern</th> </tr> </thead> <tbody> <tr> <td>D02</td> <td>ISO 4401-02-01 NFPA T3.5.1-D02 See Tech Information</td> </tr> </tbody> </table>	Valve Pattern		D02	ISO 4401-02-01 NFPA T3.5.1-D02 See Tech Information	<table border="1"> <thead> <tr> <th colspan="2">Circuit</th> </tr> </thead> <tbody> <tr> <td>CPP</td> <td>Parallel Circuit</td> </tr> <tr> <td>CPS</td> <td>Series Circuit</td> </tr> <tr> <td>COP</td> <td>Crossover Circuit (P to A, B to T)</td> </tr> </tbody> </table>	Circuit		CPP	Parallel Circuit	CPS	Series Circuit	COP	Crossover Circuit (P to A, B to T)	<table border="1"> <thead> <tr> <th colspan="2">Gauge Port</th> </tr> </thead> <tbody> <tr> <td colspan="2">Required with CPP circuit. Omit on CPS and COP circuits.</td> </tr> <tr> <td>G</td> <td>0.125 NPTF or 0.125 BSPT (M option)</td> </tr> </tbody> </table>	Gauge Port		Required with CPP circuit. Omit on CPS and COP circuits.		G	0.125 NPTF or 0.125 BSPT (M option)	<table border="1"> <thead> <tr> <th colspan="2">Bolt Threads</th> </tr> </thead> <tbody> <tr> <td colspan="2">Omit for inch (UNC) bolt kit.</td> </tr> <tr> <td>M</td> <td>Metric (ISO 6H) bolt kit</td> </tr> </tbody> </table>	Bolt Threads		Omit for inch (UNC) bolt kit.		M	Metric (ISO 6H) bolt kit
Material																																				
A	Aluminum - 6061-T6 3000 [†] psi • 20.7 MPa																																			
D	Ductile Iron - D4512 5000 [†] psi • 34.5 MPa																																			
[†] Working pressure should be considered in accordance with ISO 4413 to determine appropriate material type.																																				
Valve Pattern																																				
D02	ISO 4401-02-01 NFPA T3.5.1-D02 See Tech Information																																			
Circuit																																				
CPP	Parallel Circuit																																			
CPS	Series Circuit																																			
COP	Crossover Circuit (P to A, B to T)																																			
Gauge Port																																				
Required with CPP circuit. Omit on CPS and COP circuits.																																				
G	0.125 NPTF or 0.125 BSPT (M option)																																			
Bolt Threads																																				
Omit for inch (UNC) bolt kit.																																				
M	Metric (ISO 6H) bolt kit																																			

For coating options see pages 245-246.

D03 Cover Plates

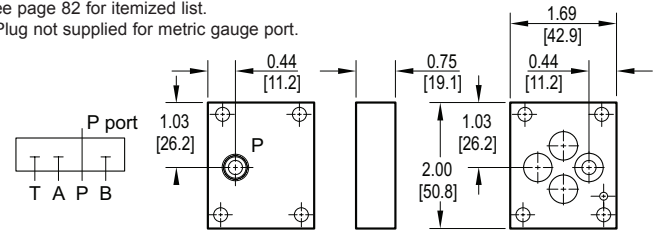
Parallel Circuit Cover Plate

Cover Plate mounting hardware is supplied.
See page 82 for itemized list.



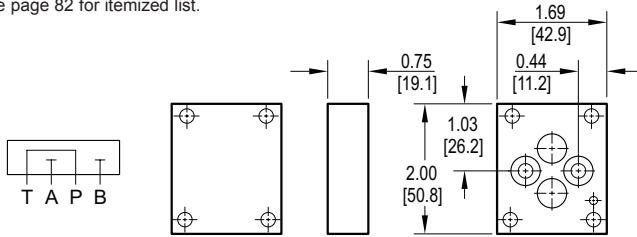
Parallel Circuit Cover Plate with Gauge Port

Cover Plate mounting hardware is supplied. *
See page 82 for itemized list.
* Plug not supplied for metric gauge port.



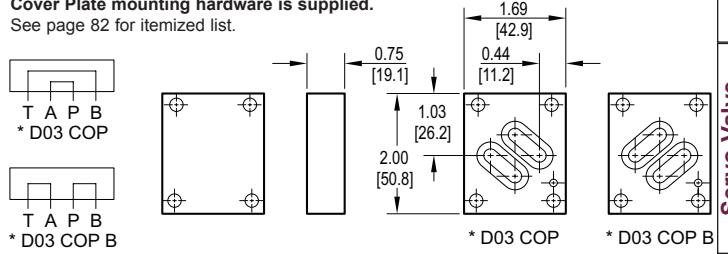
Series Circuit Cover Plate: P to T

Cover Plate mounting hardware is supplied.
See page 82 for itemized list.



Crossover Cover Plate: P to A; B to T or P to B; A to T

Cover Plate mounting hardware is supplied.
See page 82 for itemized list.



Specifications, descriptions, and dimensional data are subject to correction or change without notice or incurring obligation. Download latest catalog page revisions at www.daman.com.

Ordering Information

Material	Valve Pattern	Circuit	Gauge Port	Bolt Threads
----------	---------------	---------	------------	--------------

For **coating options** see pages 245-246.

Material	
A	Aluminum - 6061-T6 3000† psi • 20.7 MPa
D	Ductile Iron - D4512 5000† psi • 34.5 MPa

† Working pressure should be considered in accordance with ISO 4413 to determine appropriate material type.

Circuit	
CPP	Parallel Circuit
CPS	Series Circuit
COP	Crossover Circuit (P to A, B to T)
COPB	Crossover Circuit (P to B, A to T)

Bolt Threads	
Omit for inch (UNC) bolt kit.	
M	Metric (ISO 6H) bolt kit

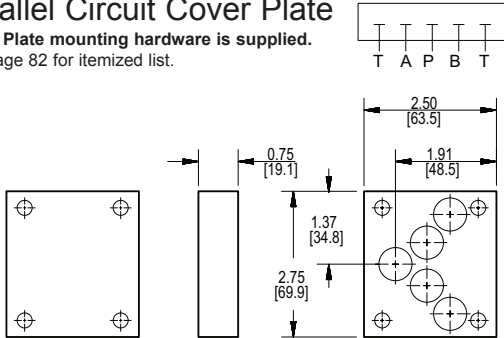
Valve Pattern	
D03	ISO 4401-03-02 NFPA T3.5.1-D03 See Tech Information

Gauge Port	
Available with parallel circuit only. Omit if not required.	
G	0.125 NPTF or 0.125 BSPT (M option)

D05 Cover Plates

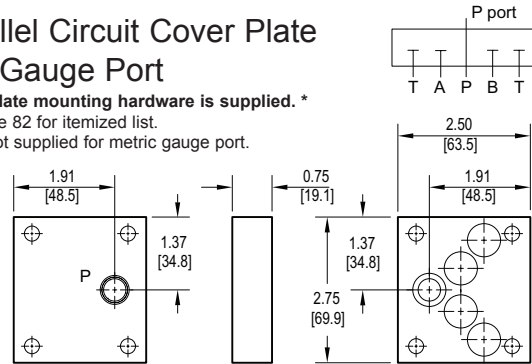
Parallel Circuit Cover Plate

Cover Plate mounting hardware is supplied.
See page 82 for itemized list.



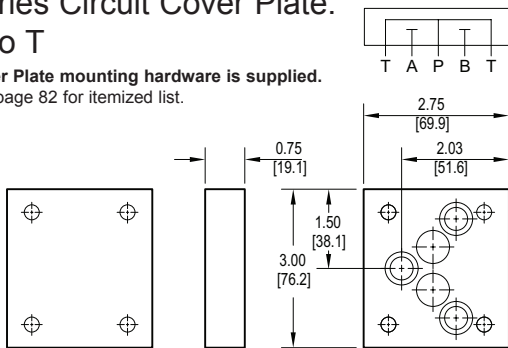
Parallel Circuit Cover Plate with Gauge Port

Cover Plate mounting hardware is supplied.*
See page 82 for itemized list.
* Plug not supplied for metric gauge port.



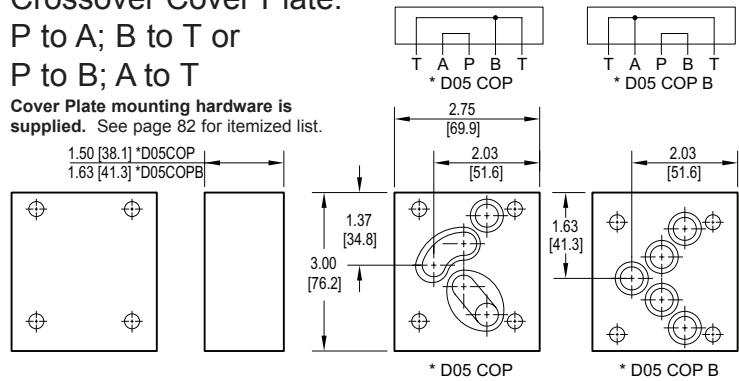
Series Circuit Cover Plate: P to T

Cover Plate mounting hardware is supplied.
See page 82 for itemized list.



Crossover Cover Plate: P to A; B to T or P to B; A to T

Cover Plate mounting hardware is supplied. See page 82 for itemized list.



Specifications, descriptions, and dimensional data are subject to correction or change without notice or incurring obligation.
Download latest catalog page revisions at www.daman.com.

Ordering Information

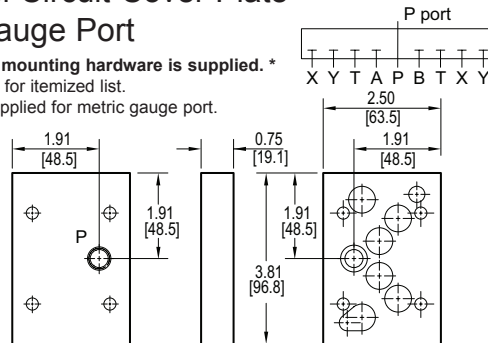
Material	Valve Pattern	Circuit	Gauge Port	Bolt Threads																																
<table border="1"> <thead> <tr> <th colspan="2">Material</th> </tr> </thead> <tbody> <tr> <td>A</td> <td>Aluminum - 6061-T6 COP • 1500† psi • 10.3 MPa Other • 3000† psi • 20.7 MPa</td> </tr> <tr> <td>D</td> <td>Ductile Iron - D4512 COP • 3000† psi • 20.7 MPa Other • 5000† psi • 34.5 MPa</td> </tr> <tr> <td colspan="2">† Working pressure should be considered in accordance with ISO 4413 to determine appropriate material type.</td> </tr> </tbody> </table>	Material		A	Aluminum - 6061-T6 COP • 1500† psi • 10.3 MPa Other • 3000† psi • 20.7 MPa	D	Ductile Iron - D4512 COP • 3000† psi • 20.7 MPa Other • 5000† psi • 34.5 MPa	† Working pressure should be considered in accordance with ISO 4413 to determine appropriate material type.		<table border="1"> <thead> <tr> <th colspan="2">Valve Pattern</th> </tr> </thead> <tbody> <tr> <td>D05</td> <td>ISO 4401-05-04 NFPA T3.5.1-D05 See Tech Information</td> </tr> </tbody> </table>	Valve Pattern		D05	ISO 4401-05-04 NFPA T3.5.1-D05 See Tech Information	<table border="1"> <thead> <tr> <th colspan="2">Circuit</th> </tr> </thead> <tbody> <tr> <td>CPP</td> <td>Parallel Circuit</td> </tr> <tr> <td>CPS</td> <td>Series Circuit</td> </tr> <tr> <td>COP</td> <td>Crossover Circuit (P to A, B to T)</td> </tr> <tr> <td>COPB</td> <td>Crossover Circuit (P to B, A to T)</td> </tr> </tbody> </table>	Circuit		CPP	Parallel Circuit	CPS	Series Circuit	COP	Crossover Circuit (P to A, B to T)	COPB	Crossover Circuit (P to B, A to T)	<table border="1"> <thead> <tr> <th colspan="2">Gauge Port</th> </tr> </thead> <tbody> <tr> <td>G</td> <td>Available with parallel circuit only. Omit if not required. 0.250 NPTF or 0.250 BSPT (M option)</td> </tr> </tbody> </table>	Gauge Port		G	Available with parallel circuit only. Omit if not required. 0.250 NPTF or 0.250 BSPT (M option)	<table border="1"> <thead> <tr> <th colspan="2">Bolt Threads</th> </tr> </thead> <tbody> <tr> <td colspan="2">Omit for inch (UNC) bolt kit.</td> </tr> <tr> <td>M</td> <td>Metric (ISO 6H) bolt kit</td> </tr> </tbody> </table>	Bolt Threads		Omit for inch (UNC) bolt kit.		M	Metric (ISO 6H) bolt kit
Material																																				
A	Aluminum - 6061-T6 COP • 1500† psi • 10.3 MPa Other • 3000† psi • 20.7 MPa																																			
D	Ductile Iron - D4512 COP • 3000† psi • 20.7 MPa Other • 5000† psi • 34.5 MPa																																			
† Working pressure should be considered in accordance with ISO 4413 to determine appropriate material type.																																				
Valve Pattern																																				
D05	ISO 4401-05-04 NFPA T3.5.1-D05 See Tech Information																																			
Circuit																																				
CPP	Parallel Circuit																																			
CPS	Series Circuit																																			
COP	Crossover Circuit (P to A, B to T)																																			
COPB	Crossover Circuit (P to B, A to T)																																			
Gauge Port																																				
G	Available with parallel circuit only. Omit if not required. 0.250 NPTF or 0.250 BSPT (M option)																																			
Bolt Threads																																				
Omit for inch (UNC) bolt kit.																																				
M	Metric (ISO 6H) bolt kit																																			

For **coating options**
see pages 245-246.

D05 Cover Plates with Pilot Ports

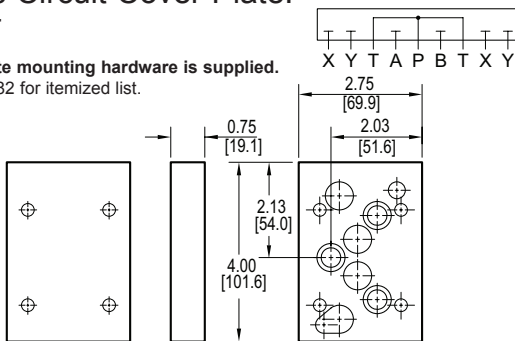
Parallel Circuit Cover Plate with Gauge Port

Cover Plate mounting hardware is supplied.*
See page 82 for itemized list.
* Plug not supplied for metric gauge port.



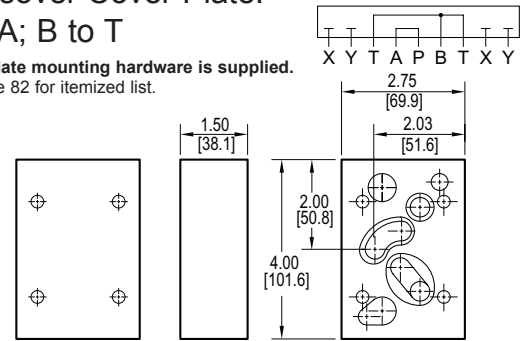
Series Circuit Cover Plate: P to T

Cover Plate mounting hardware is supplied.
See page 82 for itemized list.



Crossover Cover Plate: P to A; B to T

Cover Plate mounting hardware is supplied.
See page 82 for itemized list.



Specifications, descriptions, and dimensional data are subject to correction or change without notice or incurring obligation.
Download latest catalog page revisions at www.daman.com.

Ordering Information

Material	Valve Pattern	Circuit	Gauge Port	Bolt Threads
----------	---------------	---------	------------	--------------

For **coating options**
see pages 245-246.

Material	
A	Aluminum - 6061-T6 COP • 1500† psi • 10.3 MPa Other • 3000† psi • 20.7 MPa
D	Ductile Iron - D4512 COP • 3000† psi • 20.7 MPa Other • 5000† psi • 34.5 MPa
† Working pressure should be considered in accordance with ISO 4413 to determine appropriate material type.	

Circuit	
CPP	Parallel Circuit
CPS	Series Circuit
COP	Crossover Circuit (P to A, B to T)

Bolt Threads	
Omit for inch (UNC) bolt kit.	
M	Metric (ISO 6H) bolt kit

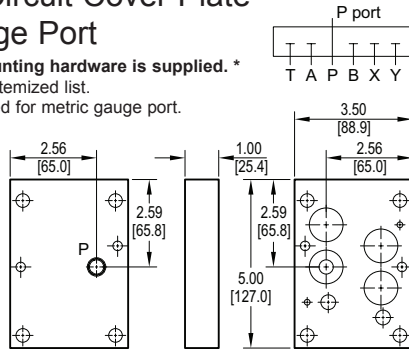
Valve Pattern	
D05H	ISO 4401-05-05 NFPA T3.5.1-D05 Alt A & B See Technical Information

Gauge Port	
Required with parallel circuit. Omit on S and COP circuits.	
G	0.250 NPTF or 0.250 BSPT (M option)

D07 Cover Plates

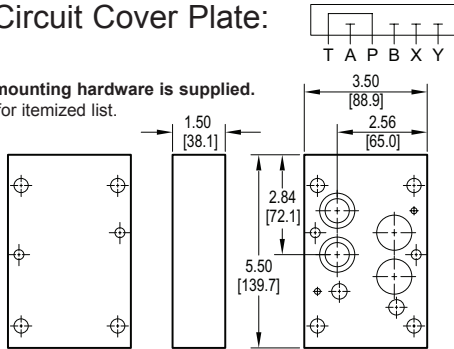
Parallel Circuit Cover Plate with Gauge Port

Cover Plate mounting hardware is supplied.*
See page 82 for itemized list.
* Plug not supplied for metric gauge port.



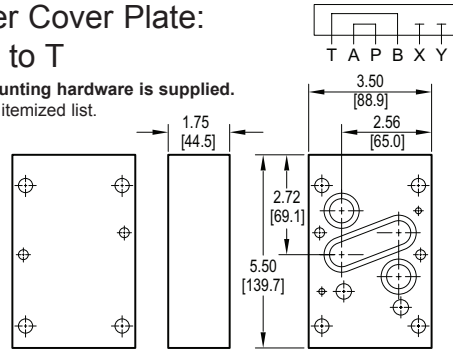
Series Circuit Cover Plate: P to T

Cover Plate mounting hardware is supplied.
See page 82 for itemized list.



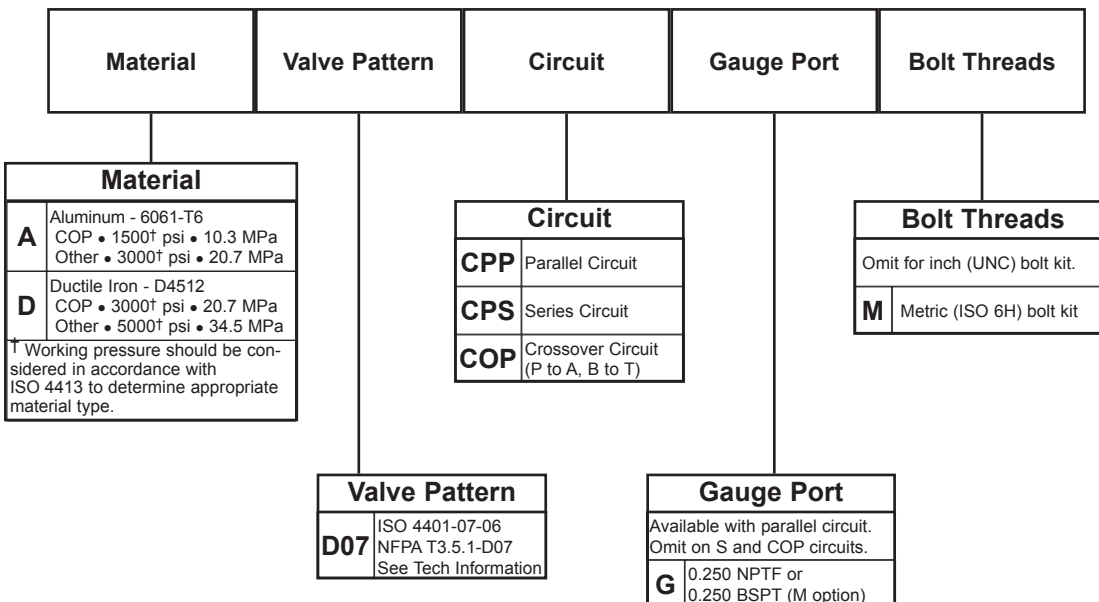
Crossover Cover Plate: P to A; B to T

Cover Plate mounting hardware is supplied.
See page 82 for itemized list.



Specifications, descriptions, and dimensional data are subject to correction or change without notice or incurring obligation. Download latest catalog page revisions at www.daman.com.

Ordering Information

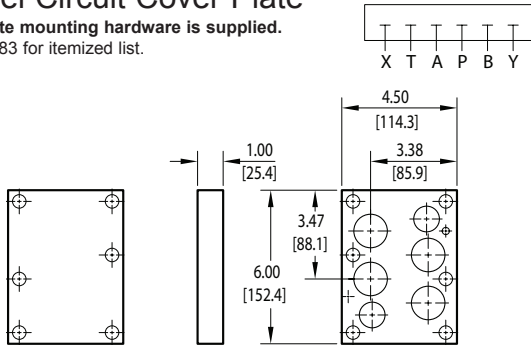


For **coating options** see pages 245-246.

D08 Cover Plates

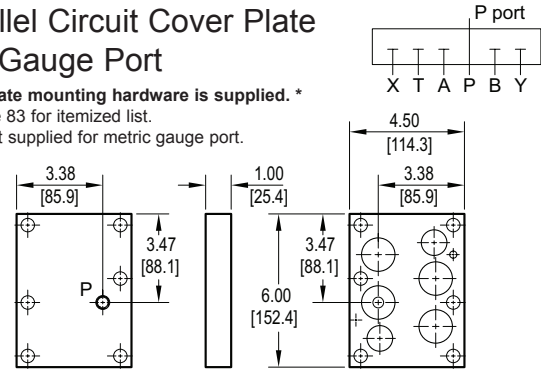
Parallel Circuit Cover Plate

Cover Plate mounting hardware is supplied.
See page 83 for itemized list.



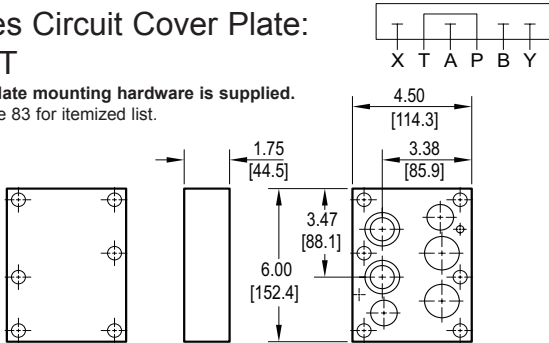
Parallel Circuit Cover Plate with Gauge Port

Cover Plate mounting hardware is supplied.*
See page 83 for itemized list.
* Plug not supplied for metric gauge port.



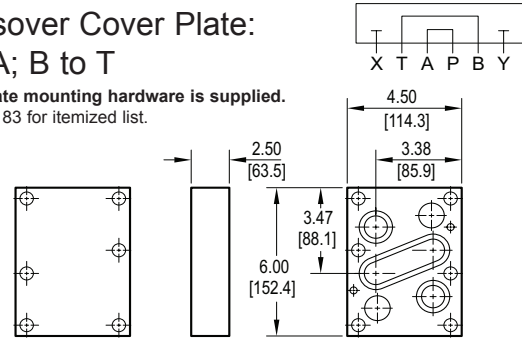
Series Circuit Cover Plate: P to T

Cover Plate mounting hardware is supplied.
See page 83 for itemized list.



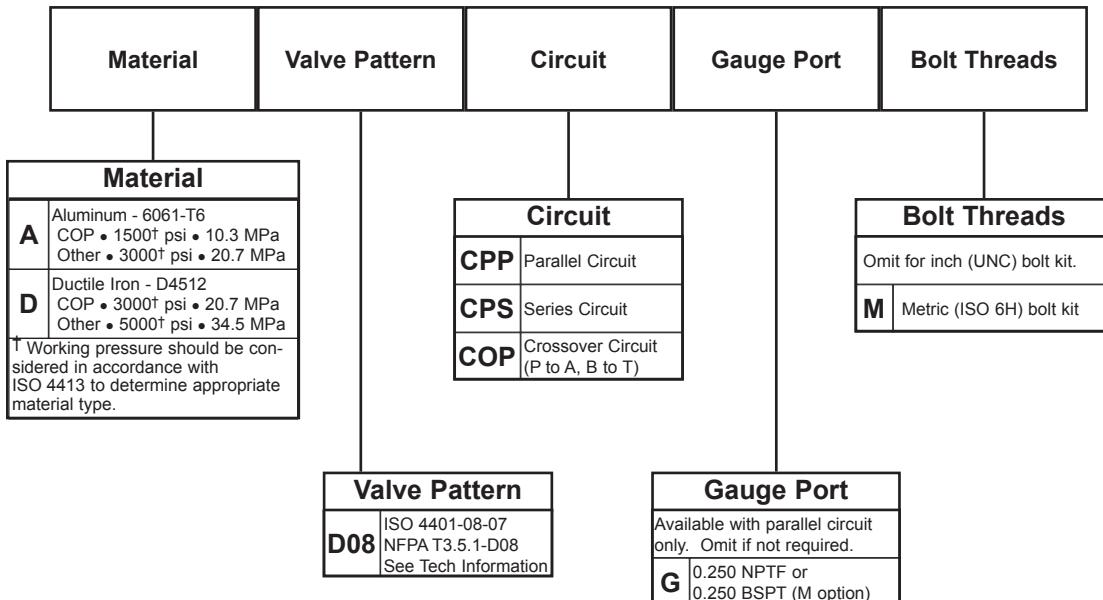
Crossover Cover Plate: P to A; B to T

Cover Plate mounting hardware is supplied.
See page 83 for itemized list.



Specifications, descriptions, and dimensional data are subject to correction or change without notice or incurring obligation.
Download latest catalog page revisions at www.daman.com.

Ordering Information

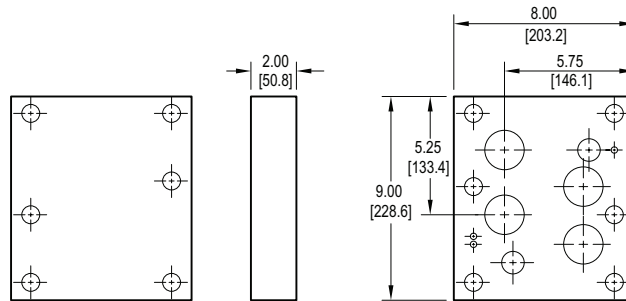


For **coating options** see pages 245-246.

D10 Cover Plates

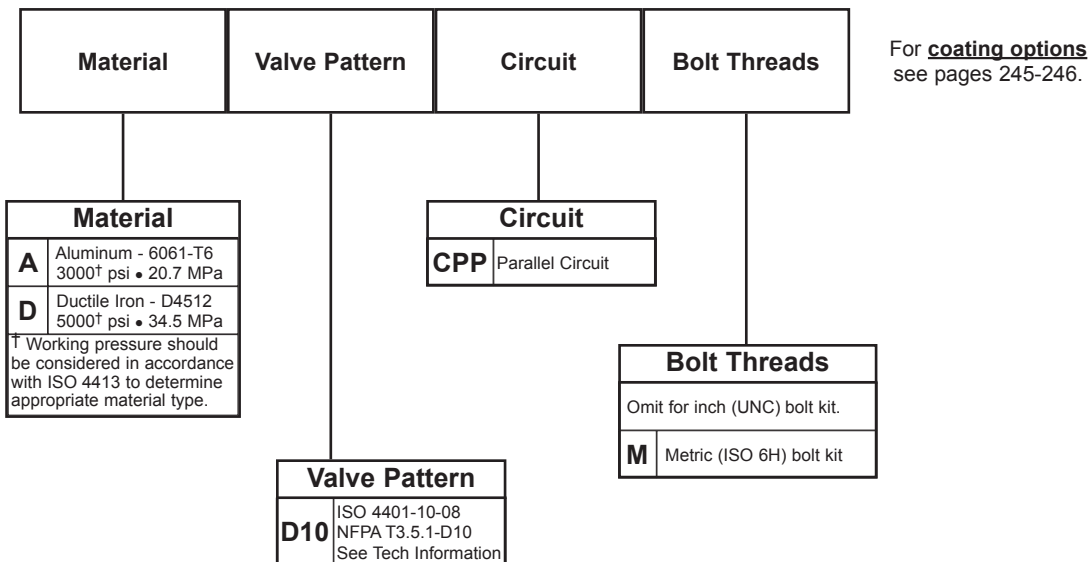
Parallel Circuit Cover Plate

Cover Plate mounting hardware is supplied.
See page 83 for itemized list.



Specifications, descriptions, and dimensional data are subject to correction or change without notice or incurring obligation. Download latest catalog page revisions at www.daman.com.

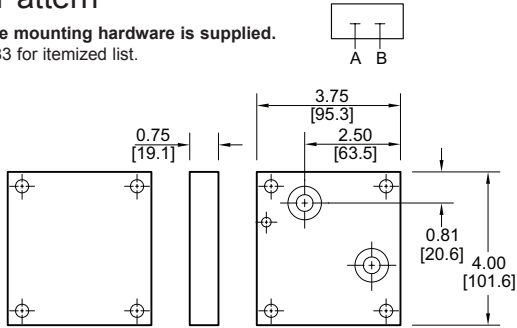
Ordering Information



2F06, 2F07 Flow Control Cover Plates

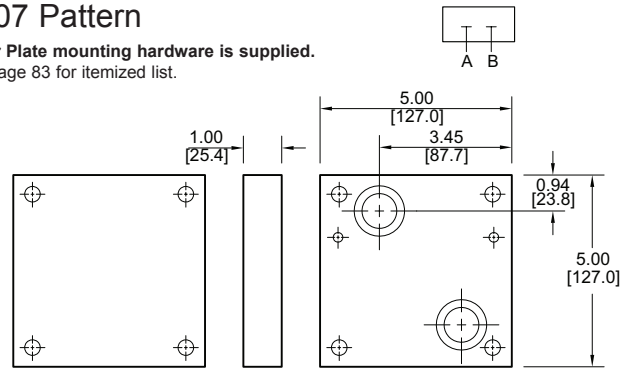
Parallel Circuit Cover Plate 2F06 Pattern

Cover Plate mounting hardware is supplied.
See page 83 for itemized list.



Parallel Circuit Cover Plate 2F07 Pattern

Cover Plate mounting hardware is supplied.
See page 83 for itemized list.



Specifications, descriptions, and dimensional data are subject to correction or change without notice or incurring obligation. Download latest catalog page revisions at www.daman.com.

Ordering Information

Material	Valve Pattern	Circuit	Bolt Threads
----------	---------------	---------	--------------

For **coating options**
see pages 245-246.

Material	
A	Aluminum - 6061-T6 3000 [†] psi • 20.7 MPa
D	Ductile Iron - D4512 5000 [†] psi • 34.5 MPa

[†] Working pressure should be considered in accordance with ISO 4413 to determine appropriate material type.

Circuit	
CPP	Parallel Circuit

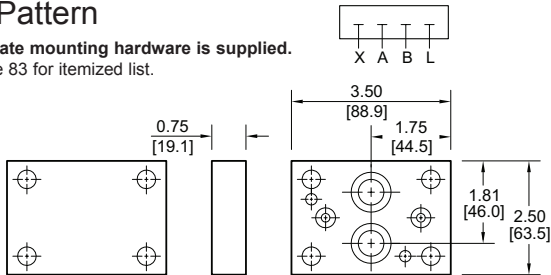
Bolt Threads	
Omit for inch (UNC) bolt kit.	
M	Metric (ISO 6H) bolt kit

Valve Pattern	
2F06	ISO 6263-06-05 NFFPA T3.5.1-2F06 See Tech Information
2F07	ISO 6263-07-09 NFFPA T3.5.1-2F07 See Tech Information

P06, P08, P10 Pressure Control Cover Plates

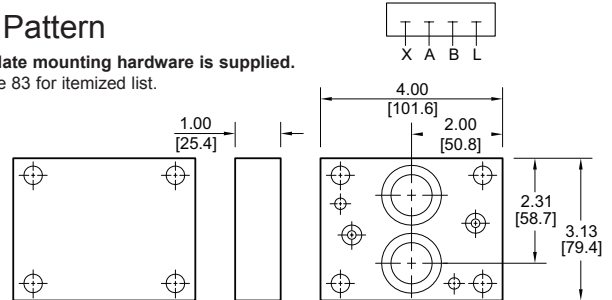
Parallel Circuit Cover Plate P06 Pattern

Cover Plate mounting hardware is supplied.
See page 83 for itemized list.



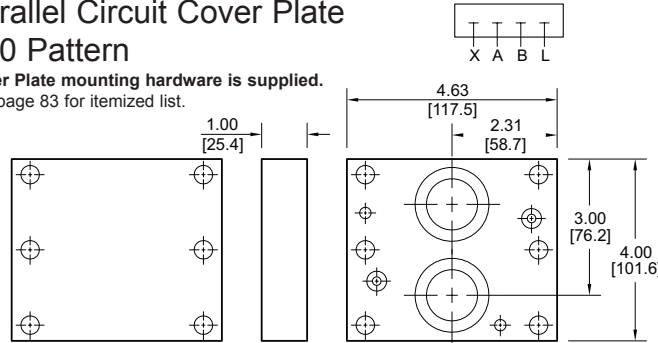
Parallel Circuit Cover Plate P08 Pattern

Cover Plate mounting hardware is supplied.
See page 83 for itemized list.



Parallel Circuit Cover Plate P10 Pattern

Cover Plate mounting hardware is supplied.
See page 83 for itemized list.



Specifications, descriptions, and dimensional data are subject to correction or change without notice or incurring obligation. Download latest catalog page revisions at www.daman.com.

Ordering Information

Material	Valve Pattern	Circuit	Bolt Threads
----------	---------------	---------	--------------

For **coating options**
see pages 245-246.

Material	
A	Aluminum - 6061-T6 3000 [†] psi • 20.7 MPa
D	Ductile Iron - D4512 5000 [†] psi • 34.5 MPa

[†] Working pressure should be considered in accordance with ISO 4413 to determine appropriate material type.

Valve Pattern	
P06	ISO 6264-06-07 ISO 5781-06-07 NFPA T3.5.1-[R]P06 See Tech Information
P08	ISO 6264-08-11 ISO 5781-08-10 NFPA T3.5.1-[R]P08 See Tech Information
P10	ISO 6264-10-15 ISO 5781-10-13 NFPA T3.5.1-[R]P10 See Tech Information

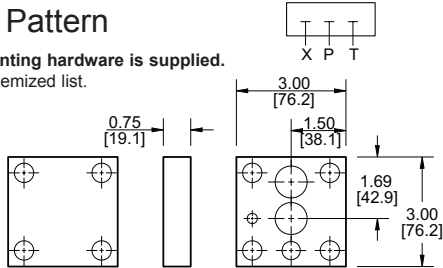
Circuit	
CPP	Parallel Circuit

Bolt Threads	
Omit for inch (UNC) bolt kit.	
M	Metric (ISO 6H) bolt kit

R06, R08, I08, R10, I10 Relief Valve Cover Plates

Parallel Circuit Cover Plate R06 (I06) Pattern

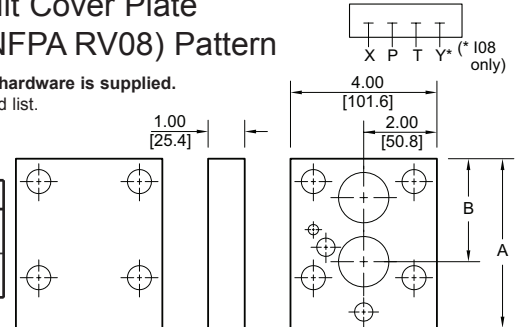
Cover Plate mounting hardware is supplied.
See page 83 for itemized list.



Parallel Circuit Cover Plate R08 or I08 (NFPA RV08) Pattern

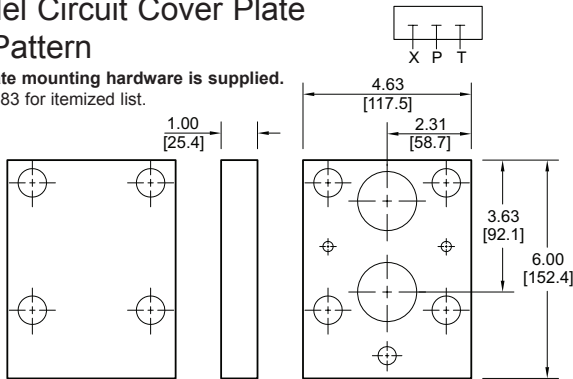
Cover Plate mounting hardware is supplied.
See page 83 for itemized list.

Dimension	A	B
R08CPP	4.63 [117.5]	2.81 [71.4]
I08CPP	4.00 [101.6]	2.56 [65.1]



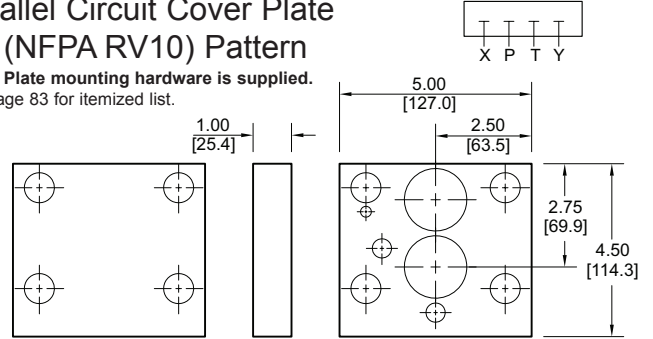
Parallel Circuit Cover Plate R10 Pattern

Cover Plate mounting hardware is supplied.
See page 83 for itemized list.



Parallel Circuit Cover Plate I10 (NFPA RV10) Pattern

Cover Plate mounting hardware is supplied.
See page 83 for itemized list.



Specifications, descriptions, and dimensional data are subject to correction or change without notice or incurring obligation. Download latest catalog page revisions at www.daman.com.

Ordering Information

Material	Valve Pattern	Circuit	Bolt Threads
----------	---------------	---------	--------------

For **coating options**
see pages 245-246.

Material	
A	Aluminum - 6061-T6 3000 [†] psi • 20.7 MPa
D	Ductile Iron - D4512 5000 [†] psi • 34.5 MPa
[†] Working pressure should be considered in accordance with ISO 4413 to determine appropriate material type.	

Valve Pattern	
R06	ISO 6264-06-09 NFPA T3.5.1-R06 See Tech Information
R08	ISO 6264-08-13 NFPA T3.5.1-R08 See Tech Information
I08	NFPA T3.5.1-RV08 See Tech Information
R10	ISO 6264-10-17 NFPA T3.5.1-R10 See Tech Information
I10	NFPA T3.5.1-RV10 See Tech Information

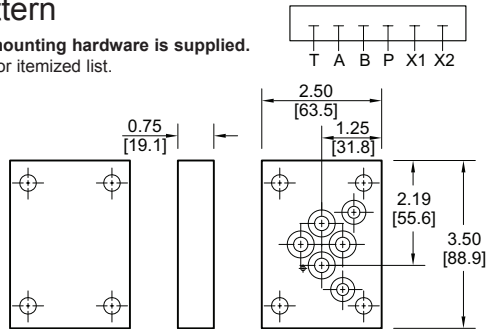
Circuit	
CPP	Parallel Circuit

Bolt Threads	
Omit for inch (UNC) bolt kit.	
M	Metric (ISO 6H) bolt kit

S04, S06 Servo Valve Cover Plates

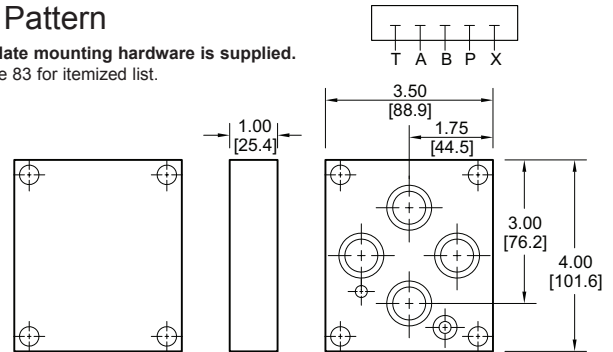
Parallel Circuit Cover Plate S04 Pattern

Cover Plate mounting hardware is supplied.
See page 83 for itemized list.



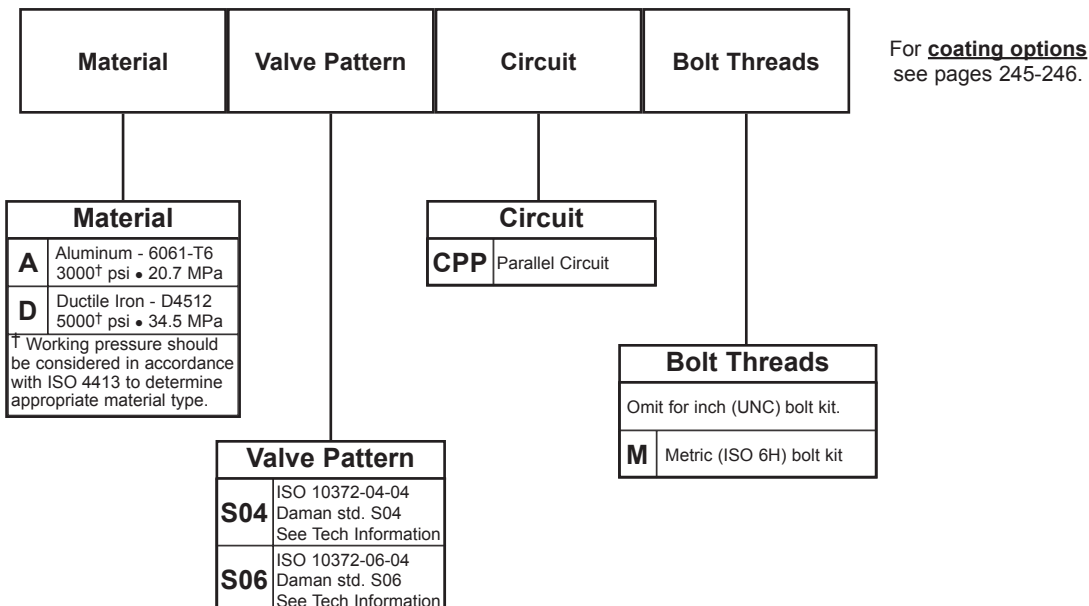
Parallel Circuit Cover Plate S06 Pattern

Cover Plate mounting hardware is supplied.
See page 83 for itemized list.



Specifications, descriptions, and dimensional data are subject to correction or change without notice or incurring obligation. Download latest catalog page revisions at www.daman.com.

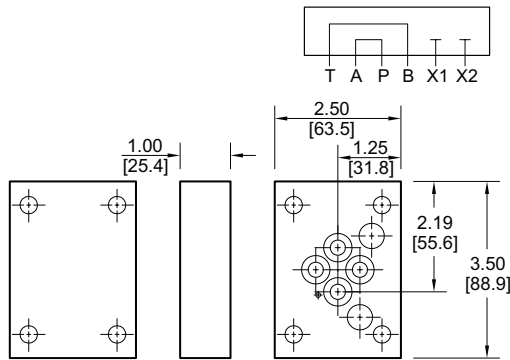
Ordering Information



S04, S06 Servo Valve Cover Plates

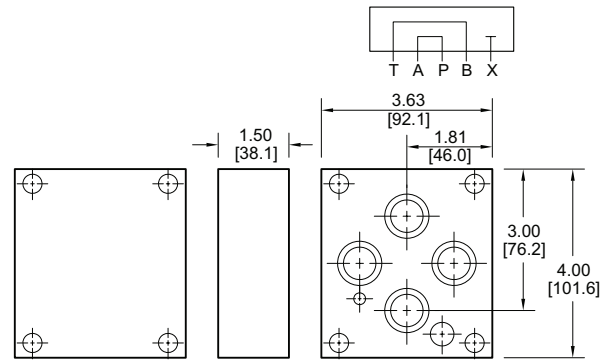
S04 Crossover Cover Plate: P to A; B to T

Cover Plate mounting hardware is supplied.
See page 83 for itemized list.



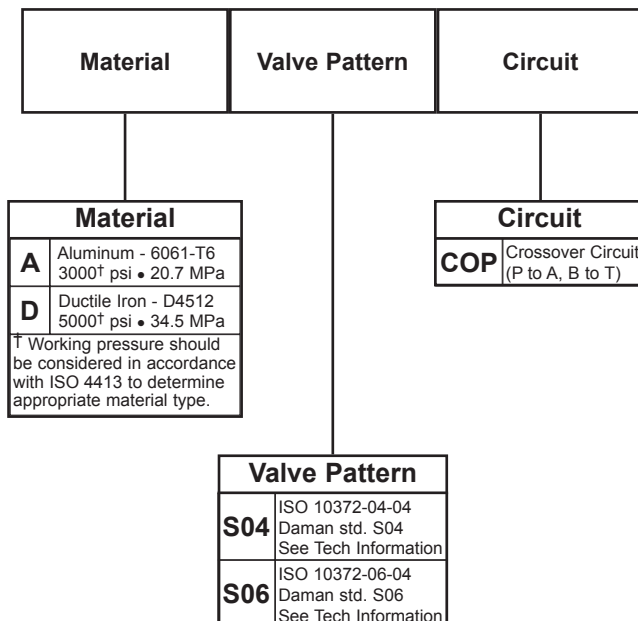
S06 Crossover Cover Plate: P to A; B to T

Cover Plate mounting hardware is supplied.
See page 83 for itemized list.



Specifications, descriptions, and dimensional data are subject to correction or change without notice or incurring obligation.
Download latest catalog page revisions at www.daman.com.

Ordering Information



For **coating options**
see pages 245-246.

Cover Plate Mounting Hardware

AVAILABLE FOR PURCHASE. ORDERING INFORMATION: REMOVE ASTERISK AND ADD "185-" TO BEGINNING OF PART NUMBER LISTED. CONSULT PRICE LIST FOR PRICING.

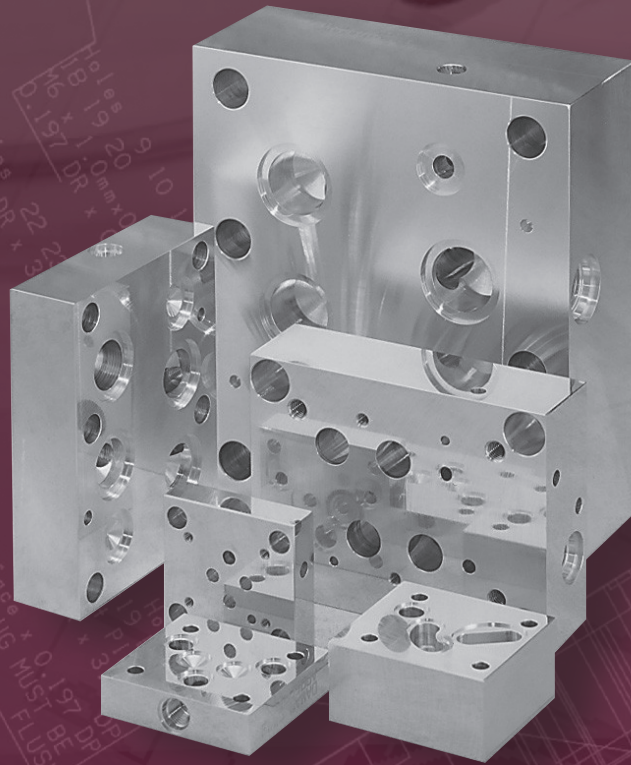
Part no.	Pg.	GA port Plug	Viton O-rings, 90 duro.	Mounting Screws	Locating Pins
* D02 CP P G * D02 CP S * D02 COP	70	(1) 0.12-27 NPTF n/a n/a	(4) -010 (4) -010 (2) -015	(4) UNC #10-24 x 1.00 long SHCS	(1) 0.12 dia x 0.25 long
* D02 CP P G M * D02 CP S M * D02 COP M	70	n/a n/a n/a	(4) -010 (4) -010 (2) -015	(4) ISO 6H M5-0.8 x 25mm SHCS	
* D03 CP P * D03 CP P G * D03 CP S * D03 COP * D03 COPB	71	n/a (1) 0.12-27 NPTF n/a n/a n/a	(4) -012 (4) -012 (4) -012 (2) -016 (2) -016	(4) UNC #10-24 x 1.00 long SHCS	(1) 0.12 dia x 0.25 long
* D03 CP P M * D03 CP P G M * D03 CP S M * D03 COP M * D03 COPB M	71	n/a n/a n/a n/a n/a	(4) -012 (4) -012 (4) -012 (2) -016 (2) -016	(4) ISO 6H M5-0.8 x 25mm SHCS	
* D05 CP P * D05 CP P G * D05 CP S * D05 COP * D05 COPB	72	n/a (1) 0.25-18 NPTF n/a n/a n/a	(5) -014 (5) -014 (5) -014 (1) -014; (2) -022 (5) -014	(4) UNC 0.25-20 x 1.25 long SHCS (4) UNC 0.25-20 x 1.25 long SHCS (4) UNC 0.25-20 x 1.25 long SHCS (4) UNC 0.25-20 x 2.00 long SHCS (4) UNC 0.25-20 x 2.00 long SHCS	n/a
* D05 CP P M * D05 CP P G M * D05 CP S M * D05 COP M * D05 COPB M	72	n/a n/a n/a n/a n/a	(5) -014 (5) -014 (5) -014 (1) -014; (2) -022 (5) -014	(4) ISO 6H M6-1.0 x 30mm SHCS (4) ISO 6H M6-1.0 x 30mm SHCS (4) ISO 6H M6-1.0 x 30mm SHCS (4) ISO 6H M6-1.0 x 50mm SHCS (4) ISO 6H M6-1.0 x 50mm SHCS	
* D05H CP P G * D05H CP S * D05H COP	73	(1) 0.25-18 NPTF n/a n/a	(1) -011; (6) -014; (1) -016 (1) -011; (6) -014; (1) -016 (1) -011; (2) -014; (1) -016; (2) -022	(4) UNC 0.25-20 x 1.25 long SHCS (4) UNC 0.25-20 x 1.25 long SHCS (4) UNC 0.25-20 x 2.00 long SHCS	n/a
* D05H CP P G M * D05H CP S M * D05H COP M	73	n/a n/a n/a	(1) -011; (6) -014; (1) -016 (1) -011; (6) -014; (1) -016 (1) -011; (2) -014; (1) -016; (2) -022	(4) ISO 6H M6-1.0 x 30mm SHCS (4) ISO 6H M6-1.0 x 30mm SHCS (4) ISO 6H M6-1.0 x 50mm SHCS	
* D07 CP P G * D07 CP S * D07 COP	74	(1) 0.25-18 NPTF n/a n/a	(2) -011; (4) -210 (2) -011; (4) -210 (2) -011; (2) -210; (1) -225	(4) UNC 0.38-16 x 1.75 long and (2) UNC 0.25-20 x 1.50 long SHCS (4) UNC 0.38-16 x 2.00 long and (2) UNC 0.25-20 x 2.00 long SHCS (4) UNC 0.38-16 x 2.50 long and (2) UNC 0.25-20 x 2.25 long SHCS	(2) 0.12 dia x 0.25 long
* D07 CP P G M * D07 CP S M * D07 COP M	74	n/a n/a n/a	(2) -011; (4) -210 (2) -011; (4) -210 (2) -011; (2) -210; (1) -225	(4) ISO 6H M10-1.5 x 40mm and (2) ISO 6H M6-1.0 x 35mm SHCS (4) ISO 6H M10-1.5 x 50mm and (2) ISO 6H M6-1.0 x 50mm SHCS (4) ISO 6H M10-1.5 x 60mm and (2) ISO 6H M6-1.0 x 55mm SHCS	

Cover Plate Mounting Hardware

AVAILABLE FOR PURCHASE. ORDERING INFORMATION: REMOVE ASTERISK AND ADD "185-" TO BEGINNING OF PART NUMBER LISTED. CONSULT PRICE LIST FOR PRICING.

Part no.	Pg.	GA port Plug	Viton O-rings, 90 duro.	Mounting Screws	Locating Pins
* D08 CP P * D08 CP P G * D08 CP S * D08 COP	75	n/a (1) 0.25-18 NPTF n/a n/a	(2) -210; (4) -215 (2) -210; (4) -215 (2) -210; (4) -215 (2) -210; (2) -215; (1) -231	(6) UNC 0.50-13 x 1.75 long SHCS (6) UNC 0.50-13 x 1.75 long SHCS (6) UNC 0.50-13 x 2.50 long SHCS (6) UNC 0.50-13 x 3.50 long SHCS	(2) 0.25 dia x 0.50 long
* D08 CP P M * D08 CP P G M * D08 CP S M * D08 COP M	75	n/a n/a n/a n/a	(2) -210; (4) -215 (2) -210; (4) -215 (2) -210; (4) -215 (2) -210; (2) -215; (1) -231	(6) ISO 6H M12-1.75 x 45mm SHCS (6) ISO 6H M12-1.75 x 45mm SHCS (6) ISO 6H M12-1.75 x 65mm SHCS (6) ISO 6H M12-1.75 x 90mm SHCS	(2) 0.25 dia x 0.50 long
* D10 CP P * D10 CP P M	76	n/a n/a	(2) -210; (4) -222 (2) -210; (4) -222	(6) UNC 0.75-10 x 3.25 long SHCS (6) ISO 6H M20-2.5 x 80mm SHCS	(2) 0.25 dia x 0.50 long
* 2F06 CP P * 2F07 CP P	77	n/a n/a	(2) -018 (2) -215	(4) UNC 0.31-18 x 1.25 long SHCS (4) UNC 0.38-16 x 1.75 long SHCS	(1) 0.25 d. x 0.50 long (2) 0.25 d. x 0.50 long
* 2F06 CP P M * 2F07 CP P M	77	n/a n/a	(2) -018 (2) -215	(4) ISO 6H M8-1.25 x 35mm SHCS (4) ISO 6H M10-1.5 x 45mm SHCS	(1) 0.25 d. x 0.50 long (2) 0.25 d. x 0.50 long
* P06 CP P * P08 CP P * P10 CP P	78	n/a n/a n/a	(2) -011; (2) -018 (2) -011; (2) -215 (2) -011; (2) -220	(4) UNC 0.38-16 x 1.50 long SHCS (4) UNC 0.38-16 x 1.50 long SHCS (6) UNC 0.38-16 x 1.75 long SHCS	(2) 0.25 dia x 0.50 long
* P06 CP P M * P08 CP P M * P10 CP P M	78	n/a n/a n/a	(2) -011; (2) -018 (2) -011; (2) -215 (2) -011; (2) -220	(4) ISO 6H M10-1.5 x 35mm SHCS (4) ISO 6H M10-1.5 x 40mm SHCS (6) ISO 6H M10-1.5 x 45mm SHCS	(2) 0.25 dia x 0.50 long
* R06 CP P * R08 CP P * R10 CP P	79	n/a n/a n/a	(1) -012; (2) -018 (1) -012; (2) -216 (1) -012; (2) -220	(4) UNC 0.50-13 x 1.50 long SHCS (4) UNC 0.63-11 x 2.00 long SHCS (4) UNC 0.75-10 x 2.25 long SHCS	(1) 0.25 d. x 0.50 long (1) 0.25 d. x 0.50 long (2) 0.25 d. x 0.50 long
* R06 CP P M * R08 CP P M * R10 CP P M	79	n/a n/a n/a	(1) -012; (2) -018 (1) -012; (2) -216 (1) -012; (2) -220	(4) ISO 6H M12-1.75 x 40mm SHCS (4) ISO 6H M16-2 x 50mm SHCS (4) ISO 6H M20-2.5 x 55mm SHCS	(1) 0.25 d. x 0.50 long (1) 0.25 d. x 0.50 long (2) 0.25 d. x 0.50 long
* I08 CP P * I10 CP P	79	n/a n/a	(2) -012; (2) -216 (2) -012; (2) -220	(4) UNC 0.63-11 x 2.00 long SHCS (4) UNC 0.75-10 x 2.25 long SHCS	(1) 0.25 dia x 0.50 long
* I08 CP P M * I10 CP P M	79	n/a n/a	(2) -012; (2) -216 (2) -012; (2) -220	(4) ISO 6H M16-2 x 50mm SHCS (4) ISO 6H M20-2.5 x 55mm SHCS	(1) 0.25 dia x 0.50 long
* S04 CP P * S06 CP P	80	n/a n/a	(2) -012; (4) -013 (1) -012; (4) -019	(4) UNC 0.31-18 x 1.50 long SHCS (4) UNC 0.38-16 x 1.75 long SHCS	(1) 0.09 d. x 0.25 long (1) 0.25 d. x 0.50 long
* S04 CP P M * S06 CP P M	80	n/a n/a	(2) -012; (4) -013 (1) -012; (4) -019	(4) ISO 6H M8-1.25 x 30mm SHCS (4) ISO 6H M10-1.5 x 45mm SHCS	(1) 0.09 d. x 0.25 long (1) 0.25 d. x 0.50 long
* S04 COP * S06 COP	81	n/a n/a	(2) -012; (4) -013 (1) -012; (4) -019	(4) UNC 0.31-18 x 1.50 long SHCS (4) UNC 0.38-16 x 2.25 long SHCS	(1) 0.09 d. x 0.25 long (1) 0.25 d. x 0.50 long

VALVE ADAPTORS




Daman[®]

1811 North Home Street, Mishawaka, Indiana 46545-7267 USA

North America: 800.959.7841 • Fax: 800.241.7664

International: Tel: +1.574.259.7841 • Fax: +1.574.259.7665

Email: sales@daman.com • Web: www.daman.com

VALVE ADAPTORS

Directional Valve Adaptors

Valve Adaptors for D03 Manifolds	Pages 88-90
Valve Adaptors for D05 Manifolds	Page 91
Valve Adaptors for D05 Manifolds with Pilot Ports	Page 92
Valve Adaptors for D06 Manifolds	Page 94
Valve Adaptors for D07 Manifolds	Pages 95-96
Valve Adaptors for D08 Manifolds	Pages 97-98
Valve Adaptors for D10 Manifolds	Page 100
Valve Adaptors for S04 Manifolds	Page 101

Relief Valve Adaptors

Valve Adaptors for D05H Manifolds	Page 93
Valve Adaptors for D08 Manifolds	Page 99

"Obsolete Valve" Adaptors

D03 Adaptors for Obsolete Manifolds	Pages 102-104
D05 Adaptors for Obsolete Manifolds	Page 105
D08 Adaptors for Obsolete Manifolds	Page 106
D10 Adaptors for Obsolete Manifolds	Page 107

Mounting Hardware	Pages 108-109
-------------------	---------------



Valve Adaptors

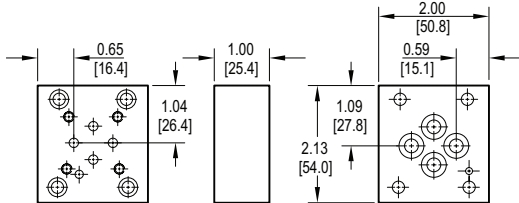
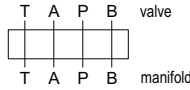
The pages in this section are our standard product offerings for valve adaptors. If you need a custom valve adaptor solution please visit www.daman.com for Request For Quote (RFQ) instructions.

Valve Adaptors for D03 Manifolds

Adapt D02 valve to D03 manifold

Valve mtg: UNC #10-24 x 0.50 DP or
Metric M5-0.8mm ISO 6H x [12.7] DP

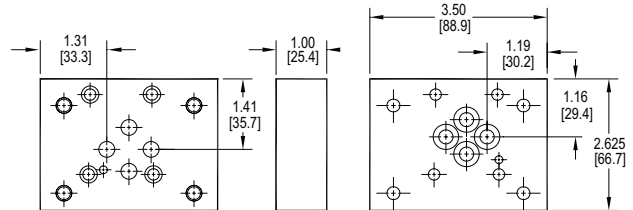
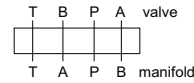
Adaptor mounting hardware is supplied.
See page 108 for itemized list.



Adapt S04 valve to D03 manifold • BA oriented

Valve mtg: UNC 0.31-18 x 0.88 DP or
Metric M8 x 1.25mm ISO 6H x [22.2] DP

Adaptor mounting hardware is supplied.
See page 108 for itemized list.

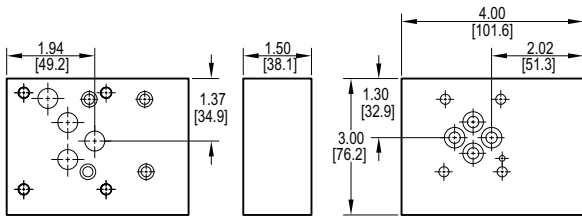
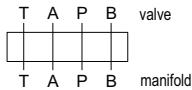


This adaptor does not orient the A & B ports on the manifold to the respective valve solenoids.

Adapt D05 valve to D03 manifold • style A

Valve mtg: UNC 0.25-20 x 0.50 DP or
Metric M6-1.0mm ISO 6H x [12.7] DP

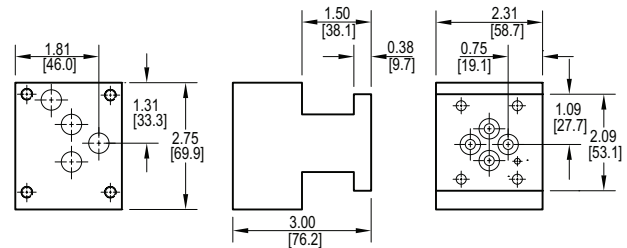
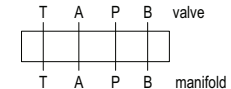
Adaptor mounting hardware is supplied.
See page 108 for itemized list.



Adapt D05 valve to D03 manifold • style B

Valve mtg: UNC 0.25-20 x 0.75 DP or
Metric M6-1.0mm ISO 6H x [19.1] DP

Adaptor mounting hardware is supplied.
See page 108 for itemized list.



Specifications, descriptions, and dimensional data are subject to correction or change without notice or incurring obligation. Download latest catalog page revisions at www.daman.com.

Ordering Information

For **coating options** see pages 245-246.

Material	Valve Pattern	Manifold Pattern	Product Type	Port Orientation	Style	Bolt Threads
----------	---------------	------------------	--------------	------------------	-------	--------------

Material	
A	Aluminum - 6061-T6 3000† psi • 20.7 MPa
D	Ductile Iron - D4512 5000† psi • 34.5 MPa

† Working pressure should be considered in accordance with ISO 4413 to determine appropriate material type.

Manifold Pattern	
D03	ISO 4401-03-02 NFPA T3.5.1-D03 See Tech Information

Valve Pattern	
D02	ISO 4401-02-01 NFPA T3.5.1-D02 See Tech Information
D05	ISO 4401-05-04 NFPA T3.5.1-D05 See Tech Information
S04	ISO 10372-04-04 Daman standard S04 See Tech Information

Product Type	
VA	Valve Adaptor

Port Orientation	
AB	A _V common to A _M B _V common to B _M
BA	A _V common to B _M B _V common to A _M S04 valve pattern only.

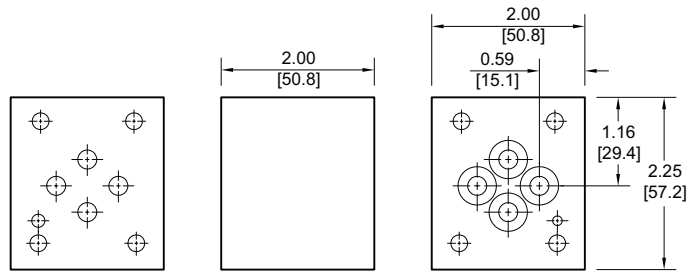
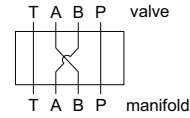
Bolt Threads	
Omit for inch (UNC) bolt kit.	
M	Metric (ISO 6H) bolt kit

D05-D03 Style	
Required with D05 valve pattern. Omit with D02 or S04 patterns.	
A	Style A Low height, wide design
B	Style B Tall height, narrow design

Valve Adaptors for D03 Manifolds

D03 A & B Port Swap Block • (BA oriented)

Adaptor hardware / interface seal kit is supplied. See page 108 for itemized list.



Specifications, descriptions, and dimensional data are subject to correction or change without notice or incurring obligation. Download latest catalog page revisions at www.daman.com.

Ordering Information

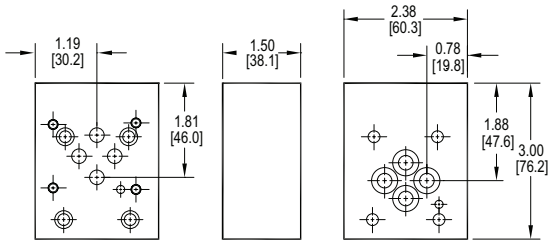
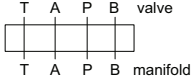
For coating options see pages 245-246.

Material	Valve Pattern	Manifold Pattern	Product Type	Port Orientation	Bolt Threads																														
<table border="1"> <thead> <tr> <th colspan="2">Material</th> </tr> </thead> <tbody> <tr> <td>A</td> <td>Aluminum - 6061-T6 3000[†] psi • 20.7 MPa</td> </tr> <tr> <td>D</td> <td>Ductile Iron - D4512 5000[†] psi • 34.5 MPa</td> </tr> <tr> <td colspan="2">[†] Working pressure should be considered in accordance with ISO 4413 to determine appropriate material type.</td> </tr> </tbody> </table>	Material		A	Aluminum - 6061-T6 3000 [†] psi • 20.7 MPa	D	Ductile Iron - D4512 5000 [†] psi • 34.5 MPa	[†] Working pressure should be considered in accordance with ISO 4413 to determine appropriate material type.		<table border="1"> <thead> <tr> <th colspan="2">Valve Pattern</th> </tr> </thead> <tbody> <tr> <td>D03</td> <td>ISO 4401-03-02 NFPA T3.5.1-D03 See Tech Information</td> </tr> </tbody> </table>	Valve Pattern		D03	ISO 4401-03-02 NFPA T3.5.1-D03 See Tech Information	<table border="1"> <thead> <tr> <th colspan="2">Manifold Pattern</th> </tr> </thead> <tbody> <tr> <td>D03</td> <td>ISO 4401-03-02 NFPA T3.5.1-D03 See Tech Information</td> </tr> </tbody> </table>	Manifold Pattern		D03	ISO 4401-03-02 NFPA T3.5.1-D03 See Tech Information	<table border="1"> <thead> <tr> <th colspan="2">Product Type</th> </tr> </thead> <tbody> <tr> <td>VA</td> <td>Valve Adaptor</td> </tr> </tbody> </table>	Product Type		VA	Valve Adaptor	<table border="1"> <thead> <tr> <th colspan="2">Port Orientation</th> </tr> </thead> <tbody> <tr> <td>BA</td> <td>B_v common to A_m A_v common to B_m D03 valve pattern only.</td> </tr> </tbody> </table>	Port Orientation		BA	B _v common to A _m A _v common to B _m D03 valve pattern only.	<table border="1"> <thead> <tr> <th colspan="2">Bolt Threads</th> </tr> </thead> <tbody> <tr> <td>M</td> <td>Mounting holes sized for Metric (ISO 6H) bolts.</td> </tr> <tr> <td colspan="2">Omit: Mounting holes sized for inch (UNC) bolts.</td> </tr> </tbody> </table>	Bolt Threads		M	Mounting holes sized for Metric (ISO 6H) bolts.	Omit: Mounting holes sized for inch (UNC) bolts.	
Material																																			
A	Aluminum - 6061-T6 3000 [†] psi • 20.7 MPa																																		
D	Ductile Iron - D4512 5000 [†] psi • 34.5 MPa																																		
[†] Working pressure should be considered in accordance with ISO 4413 to determine appropriate material type.																																			
Valve Pattern																																			
D03	ISO 4401-03-02 NFPA T3.5.1-D03 See Tech Information																																		
Manifold Pattern																																			
D03	ISO 4401-03-02 NFPA T3.5.1-D03 See Tech Information																																		
Product Type																																			
VA	Valve Adaptor																																		
Port Orientation																																			
BA	B _v common to A _m A _v common to B _m D03 valve pattern only.																																		
Bolt Threads																																			
M	Mounting holes sized for Metric (ISO 6H) bolts.																																		
Omit: Mounting holes sized for inch (UNC) bolts.																																			

Valve Adaptors for D03 Manifolds

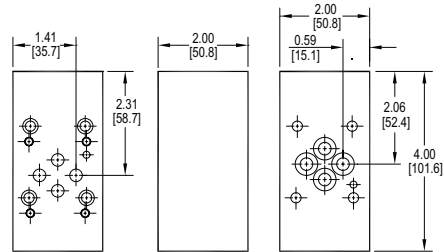
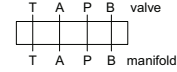
Rotate D03 Valve 90°

Adaptor hardware / interface seal kit is supplied. See page 108 for itemized list.



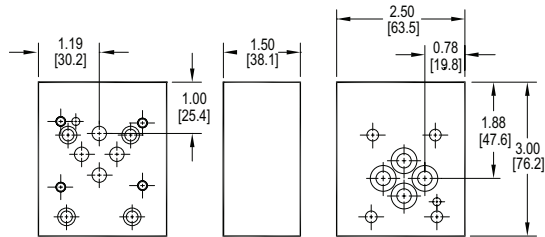
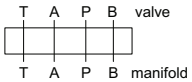
Rotate D03 Valve 180°

Adaptor hardware / interface seal kit is supplied. See page 108 for itemized list.



Rotate D03 Valve 270°

Adaptor hardware / interface seal kit is supplied. See page 108 for itemized list.



Ordering Information

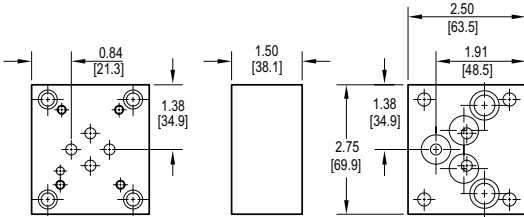
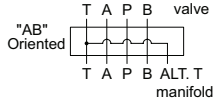
For **coating options** see pages 245-246.

Material	Valve Pattern	Manifold Pattern	Product Type	Port Orientation	Rotation																																
<table border="1"> <thead> <tr> <th colspan="2">Material</th> </tr> </thead> <tbody> <tr> <td>A</td> <td>Aluminum - 6061-T6 3000[†] psi • 20.7 MPa</td> </tr> <tr> <td>D</td> <td>Ductile Iron - D4512 5000[†] psi • 34.5 MPa</td> </tr> <tr> <td colspan="2">† Working pressure should be considered in accordance with ISO 4413 to determine appropriate material type.</td> </tr> </tbody> </table>	Material		A	Aluminum - 6061-T6 3000 [†] psi • 20.7 MPa	D	Ductile Iron - D4512 5000 [†] psi • 34.5 MPa	† Working pressure should be considered in accordance with ISO 4413 to determine appropriate material type.		<table border="1"> <thead> <tr> <th colspan="2">Valve Pattern</th> </tr> </thead> <tbody> <tr> <td>D03</td> <td>ISO 4401-03-02 NFPA T3.5.1-D03 See Tech Information</td> </tr> </tbody> </table>	Valve Pattern		D03	ISO 4401-03-02 NFPA T3.5.1-D03 See Tech Information	<table border="1"> <thead> <tr> <th colspan="2">Manifold Pattern</th> </tr> </thead> <tbody> <tr> <td>D03</td> <td>ISO 4401-03-02 NFPA T3.5.1-D03 See Tech Information</td> </tr> </tbody> </table>	Manifold Pattern		D03	ISO 4401-03-02 NFPA T3.5.1-D03 See Tech Information	<table border="1"> <thead> <tr> <th colspan="2">Product Type</th> </tr> </thead> <tbody> <tr> <td>VA</td> <td>Valve Adaptor</td> </tr> </tbody> </table>	Product Type		VA	Valve Adaptor	<table border="1"> <thead> <tr> <th colspan="2">Port Orientation</th> </tr> </thead> <tbody> <tr> <td>AB</td> <td>A_V common to A_M B_V common to B_M</td> </tr> </tbody> </table>	Port Orientation		AB	A _V common to A _M B _V common to B _M	<table border="1"> <thead> <tr> <th colspan="2">Rotation</th> </tr> </thead> <tbody> <tr> <td>090</td> <td>90° CCW</td> </tr> <tr> <td>180</td> <td>180° CCW</td> </tr> <tr> <td>270</td> <td>270° CCW</td> </tr> </tbody> </table>	Rotation		090	90° CCW	180	180° CCW	270	270° CCW
Material																																					
A	Aluminum - 6061-T6 3000 [†] psi • 20.7 MPa																																				
D	Ductile Iron - D4512 5000 [†] psi • 34.5 MPa																																				
† Working pressure should be considered in accordance with ISO 4413 to determine appropriate material type.																																					
Valve Pattern																																					
D03	ISO 4401-03-02 NFPA T3.5.1-D03 See Tech Information																																				
Manifold Pattern																																					
D03	ISO 4401-03-02 NFPA T3.5.1-D03 See Tech Information																																				
Product Type																																					
VA	Valve Adaptor																																				
Port Orientation																																					
AB	A _V common to A _M B _V common to B _M																																				
Rotation																																					
090	90° CCW																																				
180	180° CCW																																				
270	270° CCW																																				

Valve Adaptors for D05 Manifolds

Adapt D03 valve to D05 manifold • AB oriented

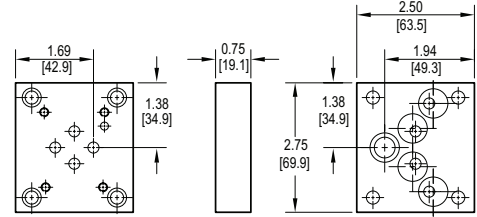
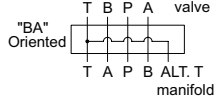
Valve mtg: UNC #10-24 x 0.50 DP or
Metric M5-0.8mm ISO 6H x [12.7] DP
Adaptor mounting hardware is supplied.
See page 108 for itemized list.



This adaptor permits the installation of a D03 valve on a D05 manifold. This adaptor, unlike *D03D05VABA*, properly orients the A & B ports on the manifold to the respective valve solenoids.

Adapt D03 valve to D05 manifold • BA oriented

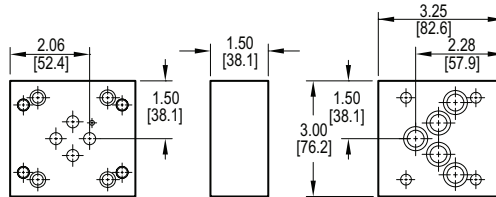
Valve mtg: UNC #10-24 x 0.44 DP or
Metric M5 x 0.8mm ISO 6H x [11] DP
Adaptor mounting hardware is supplied.
See page 108 for itemized list.



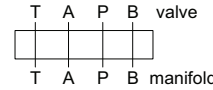
This adaptor permits the installation of a D03 valve on a D05 manifold. This adaptor, while low in cost, does not orient the A & B ports on the manifold to the respective valve solenoids.

Adapt S04 valve to D05 manifold • AB oriented

Valve mtg: UNC 0.31-18 x 0.63 DP or
Metric M8 x 1.25mm ISO 6H x [15.9] DP
Adaptor mounting hardware is supplied.
See page 108 for itemized list.



This adaptor properly orients the A & B ports on the manifold to the respective valve solenoids.



Specifications, descriptions, and dimensional data are subject to correction or change without notice or incurring obligation. Download latest catalog page revisions at www.daman.com.

Ordering Information

For **coating options** see pages 245-246.

Material	Valve Pattern	Manifold Pattern	Product Type	Port Orientation	Bolt Threads
----------	---------------	------------------	--------------	------------------	--------------

Material	
A	Aluminum - 6061-T6 3000 [†] psi • 20.7 MPa
D	Ductile Iron - D4512 5000 [†] psi • 34.5 MPa
[†] Working pressure should be considered in accordance with ISO 4413 to determine appropriate material type.	

Manifold Pattern	
D05	ISO 4401-05-04 NFPA T3.5.1-D05 See Tech Information

Port Orientation	
AB	A _v common to A _m B _v common to B _m
BA	B _v common to A _m A _v common to B _m D03 valve pattern only.

Valve Pattern	
D03	ISO 4401-03-02 NFPA T3.5.1-D03 See Tech Information
S04	ISO 10372-04-04 Daman standard S04 See Tech Information

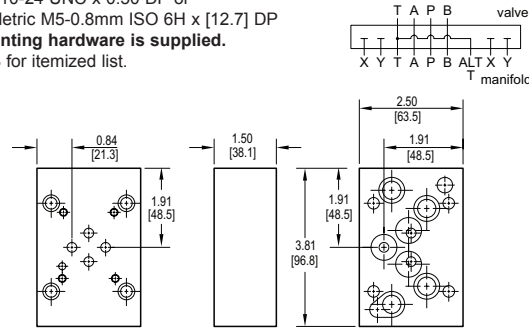
Product Type	
VA	Valve Adaptor

Bolt Threads	
Omit for inch (UNC) bolt kit.	
M	Metric (ISO 6H) bolt kit

Valve Adaptors for D05 Manifolds with Pilot Ports

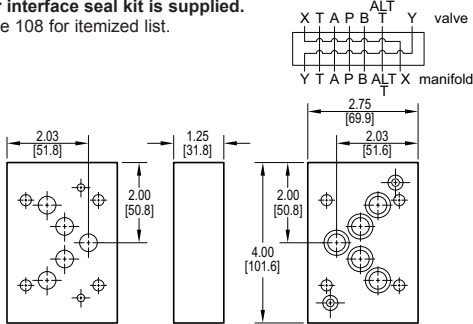
Adapt D03 valve to D05H or D05HE manifold

Valve mtg: #10-24 UNC x 0.50 DP or
Metric M5-0.8mm ISO 6H x [12.7] DP
Adaptor mounting hardware is supplied.
See page 108 for itemized list.



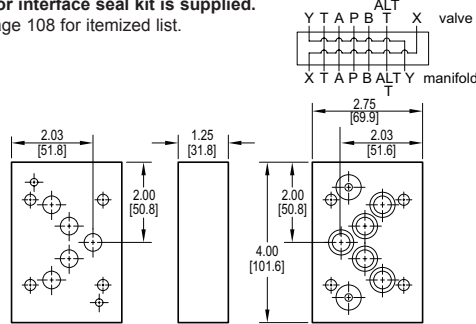
Adapt D05HE valve to D05H manifold

Adaptor interface seal kit is supplied.
See page 108 for itemized list.



Adapt D05H valve to D05HE manifold

Adaptor interface seal kit is supplied.
See page 108 for itemized list.



Specifications, descriptions, and dimensional data are subject to correction or change without notice or incurring obligation.
Download latest catalog page revisions at www.daman.com.

Ordering Information

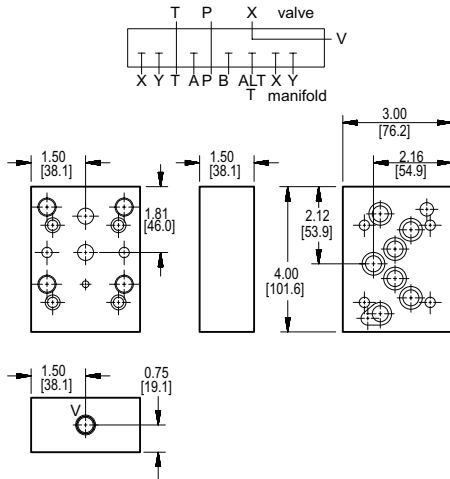
For **coating options**
see pages 245-246.

Material	Valve Pattern	Manifold Pattern	Product Type	Port Orientation	Bolt Threads																																								
<table border="1"> <thead> <tr> <th colspan="2">Material</th> </tr> </thead> <tbody> <tr> <td>A</td> <td>Aluminum - 6061-T6 3000† psi • 20.7 MPa</td> </tr> <tr> <td>D</td> <td>Ductile Iron - D4512 5000† psi • 34.5 MPa</td> </tr> <tr> <td colspan="2">† Working pressure should be considered in accordance with ISO 4413 to determine appropriate material type.</td> </tr> </tbody> </table>	Material		A	Aluminum - 6061-T6 3000† psi • 20.7 MPa	D	Ductile Iron - D4512 5000† psi • 34.5 MPa	† Working pressure should be considered in accordance with ISO 4413 to determine appropriate material type.		<table border="1"> <thead> <tr> <th colspan="2">Valve Pattern</th> </tr> <tr> <td colspan="2">See Tech Information</td> </tr> <tr> <td>D03</td> <td>ISO 4401-03-02 NFPA T3.5.1-D03</td> </tr> <tr> <td>D05H</td> <td>(USA std) NFPA T3.5.1-D05 Alt B</td> </tr> <tr> <td>D05HE</td> <td>ISO 4401-05-05 NFPA T3.5.1-D05 Alt A</td> </tr> </thead></table>	Valve Pattern		See Tech Information		D03	ISO 4401-03-02 NFPA T3.5.1-D03	D05H	(USA std) NFPA T3.5.1-D05 Alt B	D05HE	ISO 4401-05-05 NFPA T3.5.1-D05 Alt A	<table border="1"> <thead> <tr> <th colspan="2">Manifold Pattern</th> </tr> <tr> <td colspan="2">See Tech Information</td> </tr> <tr> <td>D05H</td> <td>ISO 4401-05-05 NFPA T3.5.1-D05 Alt A & B</td> </tr> <tr> <td>D05HE</td> <td>ISO 4401-05-05 NFPA T3.5.1-D05 Alt A</td> </tr> </thead></table>	Manifold Pattern		See Tech Information		D05H	ISO 4401-05-05 NFPA T3.5.1-D05 Alt A & B	D05HE	ISO 4401-05-05 NFPA T3.5.1-D05 Alt A	<table border="1"> <thead> <tr> <th colspan="2">Product Type</th> </tr> </thead> <tbody> <tr> <td>VA</td> <td>Valve Adaptor</td> </tr> </tbody> </table>	Product Type		VA	Valve Adaptor	<table border="1"> <thead> <tr> <th colspan="2">Port Orientation</th> </tr> </thead> <tbody> <tr> <td>AB</td> <td>A_V common to A_M B_V common to B_M</td> </tr> </tbody> </table>	Port Orientation		AB	A _V common to A _M B _V common to B _M	<table border="1"> <thead> <tr> <th colspan="2">Bolt Threads</th> </tr> </thead> <tbody> <tr> <td colspan="2">Omit for inch (UNC) bolt kit.</td> </tr> <tr> <td>M</td> <td>Metric (ISO 6H) bolt kit</td> </tr> </tbody> </table>	Bolt Threads		Omit for inch (UNC) bolt kit.		M	Metric (ISO 6H) bolt kit
Material																																													
A	Aluminum - 6061-T6 3000† psi • 20.7 MPa																																												
D	Ductile Iron - D4512 5000† psi • 34.5 MPa																																												
† Working pressure should be considered in accordance with ISO 4413 to determine appropriate material type.																																													
Valve Pattern																																													
See Tech Information																																													
D03	ISO 4401-03-02 NFPA T3.5.1-D03																																												
D05H	(USA std) NFPA T3.5.1-D05 Alt B																																												
D05HE	ISO 4401-05-05 NFPA T3.5.1-D05 Alt A																																												
Manifold Pattern																																													
See Tech Information																																													
D05H	ISO 4401-05-05 NFPA T3.5.1-D05 Alt A & B																																												
D05HE	ISO 4401-05-05 NFPA T3.5.1-D05 Alt A																																												
Product Type																																													
VA	Valve Adaptor																																												
Port Orientation																																													
AB	A _V common to A _M B _V common to B _M																																												
Bolt Threads																																													
Omit for inch (UNC) bolt kit.																																													
M	Metric (ISO 6H) bolt kit																																												

Relief Valve Adaptors for D05(H) Manifolds

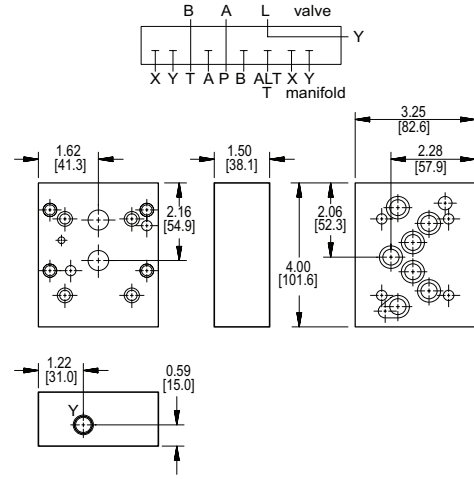
Adapt I06 (NFPA R06) valve to D05H manifold

Valve mtg: UNC 0.50-13 x 1.00 DP or Metric M12 x 1.75mm ISO 6H x [25.4] DP
Vent port: 0.25 NPTF or 0.25 BSPT (M option).
Adaptor mounting hardware is supplied.
 See page 108 for itemized list.



Adapt P06 valve to D05H manifold

Valve mtg: UNC 0.38-16 x 1.00 DP or Metric M10-1.5mm ISO 6H x [25.4] DP
Vent port: 0.25 NPTF or 0.25 BSPT (M option).
Adaptor mounting hardware is supplied.
 See page 108 for itemized list.



Specifications, descriptions, and dimensional data are subject to correction or change without notice or incurring obligation. Download latest catalog page revisions at www.daman.com.

Ordering Information

Material	Valve Pattern	Manifold Pattern	Product Type	Bolt Threads
----------	---------------	------------------	--------------	--------------

For **coating options** see pages 245-246.

Material	
A	Aluminum - 6061-T6 3000 [†] psi • 20.7 MPa
D	Ductile Iron - D4512 5000 [†] psi • 34.5 MPa

[†] Working pressure should be considered in accordance with ISO 4413 to determine appropriate material type.

Manifold Pattern	
D05H	ISO 4401-05-05 NFPA T3.5.1-D05 Alt A & B See Tech Information

Bolt Threads	
Omit for inch (UNC) bolt kit.	
M	Metric (ISO 6H) bolt kit

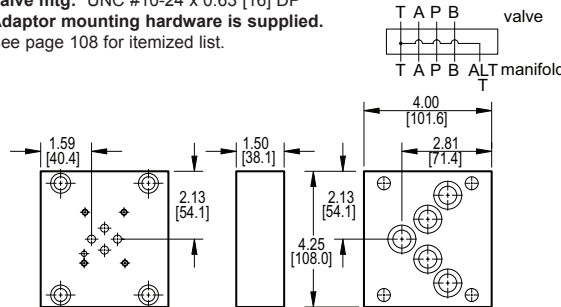
Valve Pattern	
I06	ISO 6264-06-09-*.97 NFPA T3.5.1-R06 See Tech Information
P06	ISO 6264-06-07-*.97 ISO 5781-06-07-0-00 NFPA T3.5.1-RP06 See Tech Information

Product Type	
RVA	Relief Valve Adaptor

Valve Adaptors for D06 Manifolds

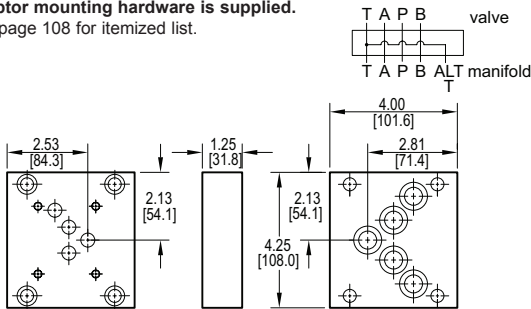
Adapt D03 valve to D06 manifold

Valve mtg: UNC #10-24 x 0.63 [16] DP
 Adaptor mounting hardware is supplied.
 See page 108 for itemized list.



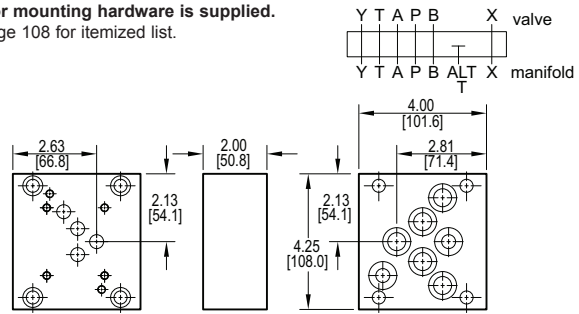
Adapt D05 valve to D06 manifold

Valve mtg: UNC 0.25-20 x 0.56 [14.2] DP
 Adaptor mounting hardware is supplied.
 See page 108 for itemized list.



Adapt D05H valve to D06H manifold

Valve mtg: UNC 0.25-20 x 0.50 [12.7] DP
 Adaptor mounting hardware is supplied.
 See page 108 for itemized list.



Specifications, descriptions, and dimensional data are subject to correction or change without notice or incurring obligation. Download latest catalog page revisions at www.daman.com.

Ordering Information

Material	Valve Pattern	Manifold Pattern	Product Type	Port Orientation															
<table border="1"> <thead> <tr> <th colspan="2">Material</th> </tr> </thead> <tbody> <tr> <td>A</td> <td>Aluminum - 6061-T6 3000[†] psi • 20.7 MPa</td> </tr> <tr> <td>D</td> <td>Ductile Iron - D4512 5000[†] psi • 34.5 MPa</td> </tr> <tr> <td colspan="2">[†] Working pressure should be considered in accordance with ISO 4413 to determine appropriate material type.</td> </tr> </tbody> </table>	Material		A	Aluminum - 6061-T6 3000 [†] psi • 20.7 MPa	D	Ductile Iron - D4512 5000 [†] psi • 34.5 MPa	[†] Working pressure should be considered in accordance with ISO 4413 to determine appropriate material type.		<table border="1"> <thead> <tr> <th colspan="2">Valve Pattern</th> </tr> <tr> <td colspan="2">See Tech Information</td> </tr> <tr> <td>D03</td> <td>ISO 4401-03-02 NFFPA T3.5.1-D03</td> </tr> <tr> <td>D05</td> <td>ISO 4401-05-04 NFFPA T3.5.1-D05</td> </tr> <tr> <td>D05H</td> <td>(USA std) NFFPA T3.5.1-D05 Alt B</td> </tr> </thead></table>	Valve Pattern		See Tech Information		D03	ISO 4401-03-02 NFFPA T3.5.1-D03	D05	ISO 4401-05-04 NFFPA T3.5.1-D05	D05H	(USA std) NFFPA T3.5.1-D05 Alt B
Material																			
A	Aluminum - 6061-T6 3000 [†] psi • 20.7 MPa																		
D	Ductile Iron - D4512 5000 [†] psi • 34.5 MPa																		
[†] Working pressure should be considered in accordance with ISO 4413 to determine appropriate material type.																			
Valve Pattern																			
See Tech Information																			
D03	ISO 4401-03-02 NFFPA T3.5.1-D03																		
D05	ISO 4401-05-04 NFFPA T3.5.1-D05																		
D05H	(USA std) NFFPA T3.5.1-D05 Alt B																		

 | Manifold Pattern | | |----------------------|--------------------------------------| | See Tech Information | | | D06 | NFFPA T3.5.1-D06
(X & Y omitted) | | D06H | NFFPA T3.5.1-D06
(X & Y included) | | | Product Type | | |--------------|---------------| | VA | Valve Adaptor | | | Port Orientation | | |------------------|--| | AB | A _V common to A _M
B _V common to B _M | |

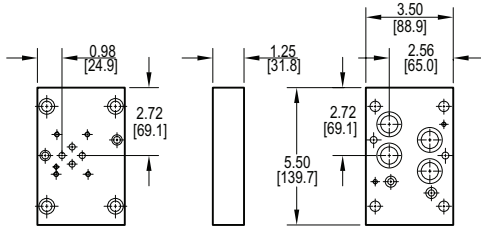
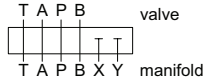
For **coating options** see pages 245-246.

Valve Adaptors for D07 Manifolds

Adapt D03 valve to D07 manifold

Valve mtg: UNC #10-24 x 0.44 DP or
Metric M5-0.8mm ISO 6H x [11.1] DP

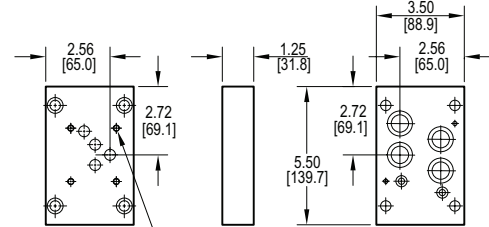
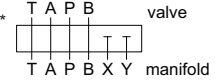
Adaptor mounting hardware is supplied.
See page 108 for itemized list.



Adapt D05 valve to D07 manifold

Valve mtg: UNC 0.25-20 x 0.50 DP* or
Metric M6-1.0mm ISO 6H x [12.7] DP*

Adaptor mounting hardware is supplied.
See page 108 for itemized list.

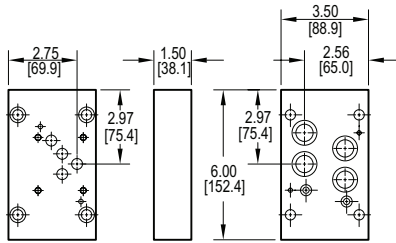
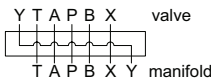


*Note: This hole only: 0.38 [9.5] DP

Adapt D05H valve to D07 manifold

Valve mtg: UNC 0.25-20 x 0.50 DP or
Metric M6-1.0mm ISO 6H x [12.7] DP

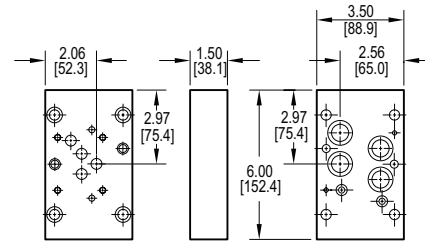
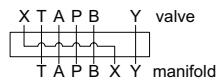
Adaptor mounting hardware is supplied.
See page 108 for itemized list.



Adapt D05HE valve to D07 manifold

Valve mtg: UNC 0.25-20 x 0.50 DP or
Metric M6-1.0mm ISO 6H x [12.7] DP

Adaptor mounting hardware is supplied.
See page 108 for itemized list.



Specifications, descriptions, and dimensional data are subject to correction or change without notice or incurring obligation. Download latest catalog page revisions at www.daman.com.

Ordering Information

For coating options
see pages 245-246.

Material	Valve Pattern	Manifold Pattern	Product Type	Port Orientation	Bolt Threads
----------	---------------	------------------	--------------	------------------	--------------

Material	
A	Aluminum - 6061-T6 3000† psi • 20.7 MPa
D	Ductile Iron - D4512 5000† psi • 34.5 MPa
† Working pressure should be considered in accordance with ISO 4413 to determine appropriate material type.	

Manifold Pattern	
D07	ISO 4401-07-06 NFFPA T3.5.1-D07 See Tech Information

Port Orientation	
AB	A _v common to A _m B _v common to B _m

Valve Pattern	
See Tech Information	
D03	ISO 4401-03-02 NFFPA T3.5.1-D03
D05	ISO 4401-05-04 NFFPA T3.5.1-D05
D05H	(USA std) NFFPA T3.5.1-D05 Alt B
D05HE	ISO 4401-05-05 NFFPA T3.5.1-D05 Alt A

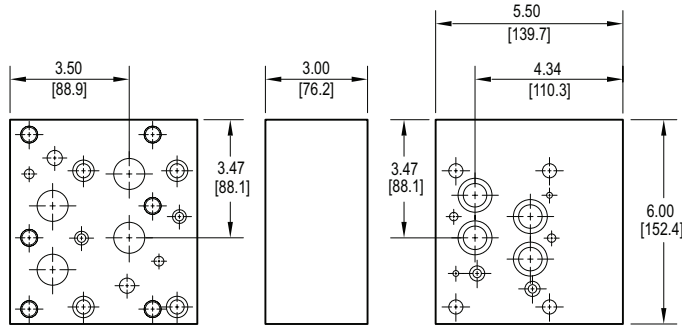
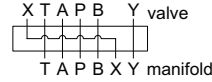
Product Type	
VA	Valve Adaptor

Bolt Threads	
Omit for inch (UNC) bolt kit.	
M	Metric (ISO 6H) bolt kit

Valve Adaptors for D07 Manifolds

Adapt D08 valve to D07 manifold

Valve mtg: UNC 0.50-13 x 1.19 DP or
Metric M12-1.75mm ISO 6H x [30.2] DP
Adaptor mounting hardware is supplied.
See page 108 for itemized list.



Note: This adaptor is too wide to use on any position other than station one of a multi-station manifold.

Specifications, descriptions, and dimensional data are subject to correction or change without notice or incurring obligation. Download latest catalog page revisions at www.daman.com.

Ordering Information

For **coating options** see pages 245-246.

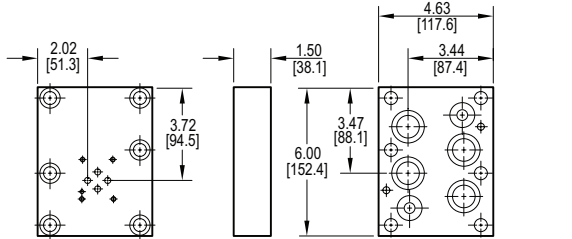
Material	Valve Pattern	Manifold Pattern	Product Type	Port Orientation	Bolt Threads																														
<table border="1"> <thead> <tr> <th colspan="2">Material</th> </tr> </thead> <tbody> <tr> <td>A</td> <td>Aluminum - 6061-T6 3000[†] psi • 20.7 MPa</td> </tr> <tr> <td>D</td> <td>Ductile Iron - D4512 5000[†] psi • 34.5 MPa</td> </tr> <tr> <td colspan="2"> [†] Working pressure should be considered in accordance with ISO 4413 to determine appropriate material type. </td> </tr> </tbody> </table>	Material		A	Aluminum - 6061-T6 3000 [†] psi • 20.7 MPa	D	Ductile Iron - D4512 5000 [†] psi • 34.5 MPa	[†] Working pressure should be considered in accordance with ISO 4413 to determine appropriate material type.		<table border="1"> <thead> <tr> <th colspan="2">Valve Pattern</th> </tr> </thead> <tbody> <tr> <td>D08</td> <td>ISO 4401-08-07 NFPA T3.5.1-D08 See Tech Information</td> </tr> </tbody> </table>	Valve Pattern		D08	ISO 4401-08-07 NFPA T3.5.1-D08 See Tech Information	<table border="1"> <thead> <tr> <th colspan="2">Manifold Pattern</th> </tr> </thead> <tbody> <tr> <td>D07</td> <td>ISO 4401-07-06 NFPA T3.5.1-D07 See Tech Information</td> </tr> </tbody> </table>	Manifold Pattern		D07	ISO 4401-07-06 NFPA T3.5.1-D07 See Tech Information	<table border="1"> <thead> <tr> <th colspan="2">Product Type</th> </tr> </thead> <tbody> <tr> <td>VA</td> <td>Valve Adaptor</td> </tr> </tbody> </table>	Product Type		VA	Valve Adaptor	<table border="1"> <thead> <tr> <th colspan="2">Port Orientation</th> </tr> </thead> <tbody> <tr> <td>AB</td> <td>A_V common to A_M B_V common to B_M</td> </tr> </tbody> </table>	Port Orientation		AB	A _V common to A _M B _V common to B _M	<table border="1"> <thead> <tr> <th colspan="2">Bolt Threads</th> </tr> </thead> <tbody> <tr> <td colspan="2">Omit for inch (UNC) bolt kit.</td> </tr> <tr> <td>M</td> <td>Metric (ISO 6H) bolt kit</td> </tr> </tbody> </table>	Bolt Threads		Omit for inch (UNC) bolt kit.		M	Metric (ISO 6H) bolt kit
Material																																			
A	Aluminum - 6061-T6 3000 [†] psi • 20.7 MPa																																		
D	Ductile Iron - D4512 5000 [†] psi • 34.5 MPa																																		
[†] Working pressure should be considered in accordance with ISO 4413 to determine appropriate material type.																																			
Valve Pattern																																			
D08	ISO 4401-08-07 NFPA T3.5.1-D08 See Tech Information																																		
Manifold Pattern																																			
D07	ISO 4401-07-06 NFPA T3.5.1-D07 See Tech Information																																		
Product Type																																			
VA	Valve Adaptor																																		
Port Orientation																																			
AB	A _V common to A _M B _V common to B _M																																		
Bolt Threads																																			
Omit for inch (UNC) bolt kit.																																			
M	Metric (ISO 6H) bolt kit																																		

Valve Adaptors for D08 Manifolds

Adapt D03 valve to D08 manifold

Valve mtg: UNC #10-24 x 0.50 DP or
Metric M5-0.8mm ISO 6H x [12.7] DP

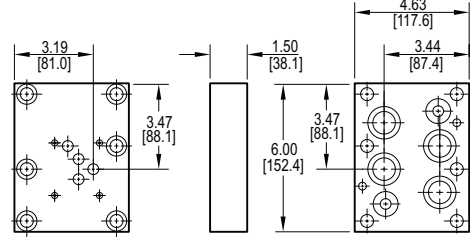
Adaptor mounting hardware is supplied.
See page 109 for itemized list.



Adapt D05 valve to D08 manifold

Valve mtg: UNC 0.25-20 x 0.50 DP or
Metric M6-1.0mm ISO 6H x [12.7] DP

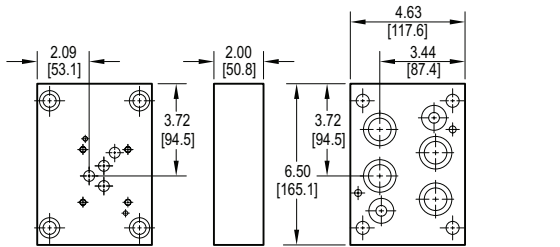
Adaptor mounting hardware is supplied.
See page 109 for itemized list.



Adapt D05H valve to D08 manifold

Valve mtg: UNC 0.25-20 x 0.75 DP or
Metric M6-1.0mm ISO 6H x [19.1] DP

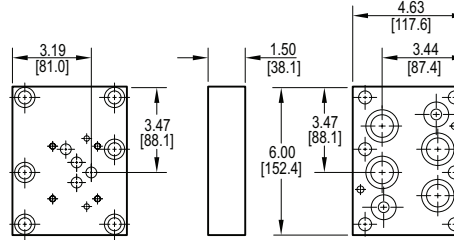
Adaptor mounting hardware is supplied.
See page 109 for itemized list.



Adapt D05HE valve to D08 manifold

Valve mtg: 0.25-20 UNC x 0.50 DP or
Metric M6-1.0mm ISO 6H x [12.7] DP

Adaptor mounting hardware is supplied.
See page 109 for itemized list.



Specifications, descriptions, and dimensional data are subject to correction or change without notice or incurring obligation. Download latest catalog page revisions at www.daman.com.

Ordering Information

For coating options
see pages 245-246.

Material	Valve Pattern	Manifold Pattern	Product Type	Port Orientation	Bolt Threads
----------	---------------	------------------	--------------	------------------	--------------

Material	
A	Aluminum - 6061-T6 3000† psi • 20.7 MPa
D	Ductile Iron - D4512 5000† psi • 34.5 MPa
† Working pressure should be considered in accordance with ISO 4413 to determine appropriate material type.	

Manifold Pattern	
D08	ISO 4401-08-07 NFPA T3.5.1-D08 See Tech Information

Port Orientation	
AB	A _v common to A _m B _v common to B _m

Valve Pattern	
See Tech Information	
D03	ISO 4401-03-02 NFPA T3.5.1-D03
D05	ISO 4401-05-04 NFPA T3.5.1-D05
D05H	(USA std) NFPA T3.5.1-D05 Alt B
D05HE	ISO 4401-05-05 NFPA T3.5.1-D05 Alt A

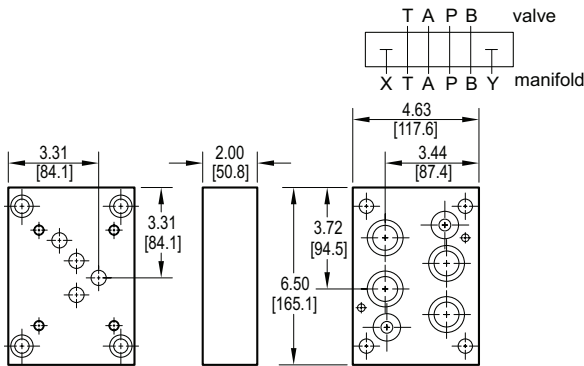
Product Type	
VA	Valve Adaptor

Bolt Threads	
Omit for inch (UNC) bolt kit.	
M	Metric (ISO 6H) bolt kit

Valve Adaptors for D08 Manifolds

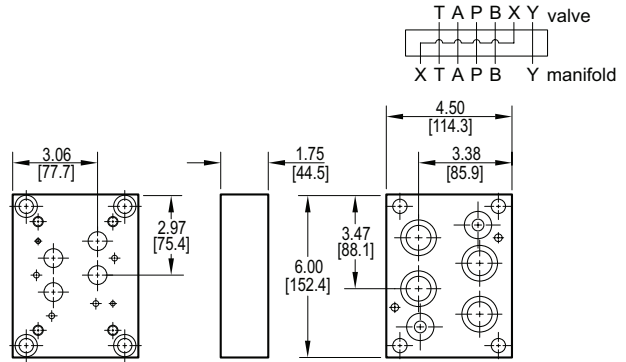
Adapt D06 valve to D08 manifold

Valve mtg: UNC 0.38-16 x 0.75 DP or
Metric M10-1.5mm ISO 6H x [19.1] DP
Adaptor mounting hardware is supplied.
See page 109 for itemized list.



Adapt D07 valve to D08 manifold

Valve mtg: UNC 0.25-20 x 0.5 DP and UNC 0.38-16 x 0.75 DP or
Metric M6-1.0mm ISO 6H x [12.7] DP and M10-1.5mm ISO 6H x [19.1] DP
Subplate hardware kit is supplied.
See page 109 for itemized list.



Specifications, descriptions, and dimensional data are subject to correction or change without notice or incurring obligation. Download latest catalog page revisions at www.daman.com.

Ordering Information

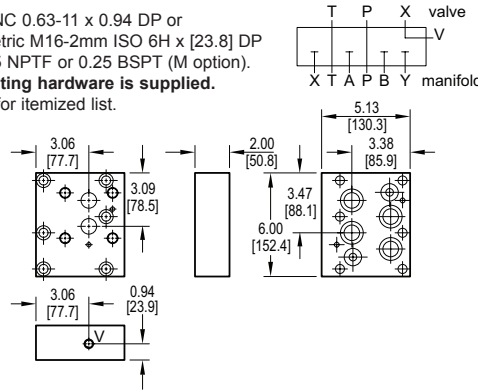
For **coating options**
see pages 245-246.

Material	Valve Pattern	Manifold Pattern	Product Type	Port Orientation	Bolt Threads																																
<table border="1"> <thead> <tr> <th colspan="2">Material</th> </tr> </thead> <tbody> <tr> <td>A</td> <td>Aluminum - 6061-T6 3000† psi • 20.7 MPa</td> </tr> <tr> <td>D</td> <td>Ductile Iron - D4512 5000† psi • 34.5 MPa</td> </tr> <tr> <td colspan="2">† Working pressure should be considered in accordance with ISO 4413 to determine appropriate material type.</td> </tr> </tbody> </table>	Material		A	Aluminum - 6061-T6 3000† psi • 20.7 MPa	D	Ductile Iron - D4512 5000† psi • 34.5 MPa	† Working pressure should be considered in accordance with ISO 4413 to determine appropriate material type.		<table border="1"> <thead> <tr> <th colspan="2">Valve Pattern</th> </tr> </thead> <tbody> <tr> <td>D06</td> <td>NFPA T3.5.1-D06 See Tech Information</td> </tr> <tr> <td>D07</td> <td>ISO 4401-07-06 NFPA T3.5.1-D07 See Tech Information</td> </tr> </tbody> </table>	Valve Pattern		D06	NFPA T3.5.1-D06 See Tech Information	D07	ISO 4401-07-06 NFPA T3.5.1-D07 See Tech Information	<table border="1"> <thead> <tr> <th colspan="2">Manifold Pattern</th> </tr> </thead> <tbody> <tr> <td>D08</td> <td>ISO 4401-08-07 NFPA T3.5.1-D08 See Tech Information</td> </tr> </tbody> </table>	Manifold Pattern		D08	ISO 4401-08-07 NFPA T3.5.1-D08 See Tech Information	<table border="1"> <thead> <tr> <th colspan="2">Product Type</th> </tr> </thead> <tbody> <tr> <td>VA</td> <td>Valve Adaptor</td> </tr> </tbody> </table>	Product Type		VA	Valve Adaptor	<table border="1"> <thead> <tr> <th colspan="2">Port Orientation</th> </tr> </thead> <tbody> <tr> <td>AB</td> <td>A_v common to A_m B_v common to B_m</td> </tr> </tbody> </table>	Port Orientation		AB	A _v common to A _m B _v common to B _m	<table border="1"> <thead> <tr> <th colspan="2">Bolt Threads</th> </tr> </thead> <tbody> <tr> <td colspan="2">Omit for inch (UNC) bolt kit.</td> </tr> <tr> <td>M</td> <td>Metric (ISO 6H) bolt kit</td> </tr> </tbody> </table>	Bolt Threads		Omit for inch (UNC) bolt kit.		M	Metric (ISO 6H) bolt kit
Material																																					
A	Aluminum - 6061-T6 3000† psi • 20.7 MPa																																				
D	Ductile Iron - D4512 5000† psi • 34.5 MPa																																				
† Working pressure should be considered in accordance with ISO 4413 to determine appropriate material type.																																					
Valve Pattern																																					
D06	NFPA T3.5.1-D06 See Tech Information																																				
D07	ISO 4401-07-06 NFPA T3.5.1-D07 See Tech Information																																				
Manifold Pattern																																					
D08	ISO 4401-08-07 NFPA T3.5.1-D08 See Tech Information																																				
Product Type																																					
VA	Valve Adaptor																																				
Port Orientation																																					
AB	A _v common to A _m B _v common to B _m																																				
Bolt Threads																																					
Omit for inch (UNC) bolt kit.																																					
M	Metric (ISO 6H) bolt kit																																				

Relief Valve Adaptors for D08 Manifolds

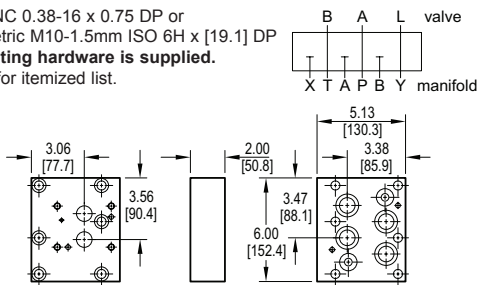
Adapt I08 (NFPA RV08) valve to D08 manifold

Valve mtg: UNC 0.63-11 x 0.94 DP or
Metric M16-2mm ISO 6H x [23.8] DP
Vent port: 0.25 NPTF or 0.25 BSPT (M option).
Adaptor mounting hardware is supplied.
See page 109 for itemized list.



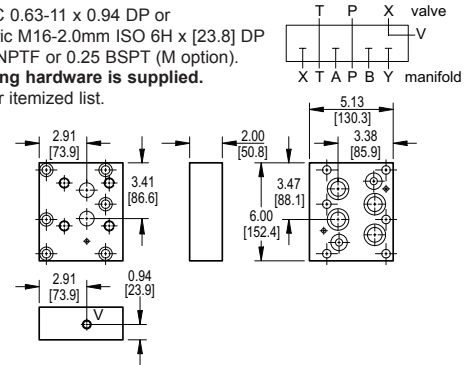
Adapt P08 valve to D08 manifold

Valve mtg: UNC 0.38-16 x 0.75 DP or
Metric M10-1.5mm ISO 6H x [19.1] DP
Adaptor mounting hardware is supplied.
See page 109 for itemized list.



Adapt R08 valve to D08 manifold

Valve mtg: UNC 0.63-11 x 0.94 DP or
Metric M16-2.0mm ISO 6H x [23.8] DP
Vent port: 0.25 NPTF or 0.25 BSPT (M option).
Adaptor mounting hardware is supplied.
See page 109 for itemized list.



Specifications, descriptions, and dimensional data are subject to correction or change without notice or incurring obligation. Download latest catalog page revisions at www.daman.com.

Ordering Information

Material	Valve Pattern	Manifold Pattern	Product Type	Bolt Threads
----------	---------------	------------------	--------------	--------------

For **coating options** see pages 245-246.

Material	
A	Aluminum - 6061-T6 3000† psi • 20.7 MPa
D	Ductile Iron - D4512 5000† psi • 34.5 MPa

† Working pressure should be considered in accordance with ISO 4413 to determine appropriate material type.

Manifold Pattern	
D08	ISO 4401-08-07 NFPA T3.5.1-D08 See Tech Information

Bolt Threads	
	Omit for inch (UNC) bolt kit.
M	Metric (ISO 6H) bolt kit

Valve Pattern	
	See Tech Information
I08	NFPA T3.5.1-RV08
P08	ISO 6264-08-11- [*] -97 ISO 5781-08-10-0-00 NFPA T3.5.1-RP08
R08	ISO 6264-08-13- [*] -97 NFPA T3.5.1-R08

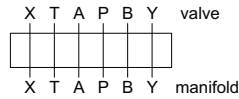
Product Type	
RVA	Relief Valve Adaptor

Valve Adaptors for D10 Manifolds

Adapt D07 valve to D10 manifold

Valve mtg: 0.25-20 UNC x 0.75 DP and
0.38-16 UNC x 1.00 DP or
Metric M6-1.0mm ISO 6H x [19.1] DP and
M10-1.5mm ISO 6H x [25.4] DP

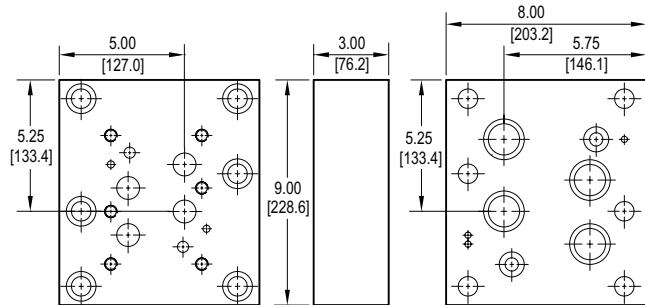
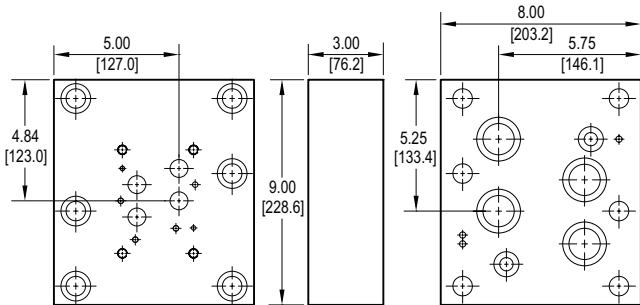
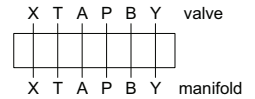
Adaptor mounting hardware is supplied.
See page 109 for itemized list.



Adapt D08 valve to D10 manifold

Valve mtg: UNC 0.50-13 x 1.19 DP or
Metric M12-1.75mm ISO 6H x [30.2] DP

Adaptor mounting hardware is supplied.
See page 109 for itemized list.



Specifications, descriptions, and dimensional data are subject to correction or change without notice or incurring obligation. Download latest catalog page revisions at www.daman.com.

Ordering Information

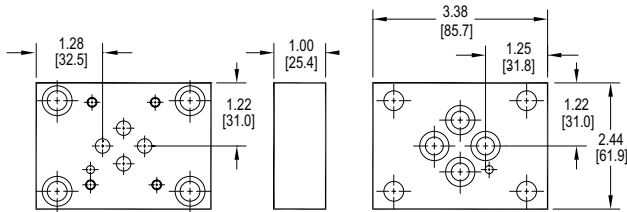
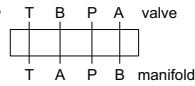
For **coating options**
see pages 245-246.

Material	Valve Pattern	Manifold Pattern	Product Type	Port Orientation	Bolt Threads																																
<table border="1"> <thead> <tr> <th colspan="2">Material</th> </tr> </thead> <tbody> <tr> <td>A</td> <td>Aluminum - 6061-T6 3000† psi • 20.7 MPa</td> </tr> <tr> <td>D</td> <td>Ductile Iron - D4512 5000† psi • 34.5 MPa</td> </tr> <tr> <td colspan="2">† Working pressure should be considered in accordance with ISO 4413 to determine appropriate material type.</td> </tr> </tbody> </table>	Material		A	Aluminum - 6061-T6 3000† psi • 20.7 MPa	D	Ductile Iron - D4512 5000† psi • 34.5 MPa	† Working pressure should be considered in accordance with ISO 4413 to determine appropriate material type.		<table border="1"> <thead> <tr> <th colspan="2">Valve Pattern</th> </tr> </thead> <tbody> <tr> <td>D07</td> <td>ISO 4401-07-06 NFPA T3.5.1-D07 See Tech Information</td> </tr> <tr> <td>D08</td> <td>ISO 4401-08-07 NFPA T3.5.1-D08 See Tech Information</td> </tr> </tbody> </table>	Valve Pattern		D07	ISO 4401-07-06 NFPA T3.5.1-D07 See Tech Information	D08	ISO 4401-08-07 NFPA T3.5.1-D08 See Tech Information	<table border="1"> <thead> <tr> <th colspan="2">Manifold Pattern</th> </tr> </thead> <tbody> <tr> <td>D10</td> <td>ISO 4401-10-08 NFPA T3.5.1-D10 See Tech Information</td> </tr> </tbody> </table>	Manifold Pattern		D10	ISO 4401-10-08 NFPA T3.5.1-D10 See Tech Information	<table border="1"> <thead> <tr> <th colspan="2">Product Type</th> </tr> </thead> <tbody> <tr> <td>VA</td> <td>Valve Adaptor</td> </tr> </tbody> </table>	Product Type		VA	Valve Adaptor	<table border="1"> <thead> <tr> <th colspan="2">Port Orientation</th> </tr> </thead> <tbody> <tr> <td>AB</td> <td>A_V common to A_m B_V common to B_m</td> </tr> </tbody> </table>	Port Orientation		AB	A _V common to A _m B _V common to B _m	<table border="1"> <thead> <tr> <th colspan="2">Bolt Threads</th> </tr> </thead> <tbody> <tr> <td colspan="2">Omit for inch (UNC) bolt kit.</td> </tr> <tr> <td>M</td> <td>Metric (ISO 6H) bolt kit</td> </tr> </tbody> </table>	Bolt Threads		Omit for inch (UNC) bolt kit.		M	Metric (ISO 6H) bolt kit
Material																																					
A	Aluminum - 6061-T6 3000† psi • 20.7 MPa																																				
D	Ductile Iron - D4512 5000† psi • 34.5 MPa																																				
† Working pressure should be considered in accordance with ISO 4413 to determine appropriate material type.																																					
Valve Pattern																																					
D07	ISO 4401-07-06 NFPA T3.5.1-D07 See Tech Information																																				
D08	ISO 4401-08-07 NFPA T3.5.1-D08 See Tech Information																																				
Manifold Pattern																																					
D10	ISO 4401-10-08 NFPA T3.5.1-D10 See Tech Information																																				
Product Type																																					
VA	Valve Adaptor																																				
Port Orientation																																					
AB	A _V common to A _m B _V common to B _m																																				
Bolt Threads																																					
Omit for inch (UNC) bolt kit.																																					
M	Metric (ISO 6H) bolt kit																																				

D03 / D05 Valve Adaptors for S04 Subplates

Adapt D03 valve to S04 manifold • BA oriented

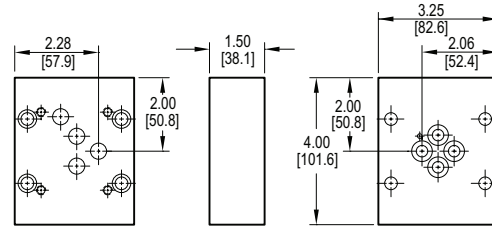
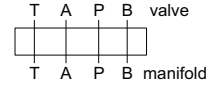
Valve mtg: UNC #10-24 x 0.63 DP or
Metric M5 x 0.8mm ISO 6H x [15.9] DP
Adaptor mounting hardware is supplied.
See page 109 for itemized list.



This adaptor does not orient the A & B ports on the manifold to the respective valve solenoids.

Adapt D05 valve to S04 manifold • AB oriented

Valve mtg: UNC 0.25-20 x 0.63 DP or
Metric M6 x 1.0mm ISO 6H x [15.9] DP
Adaptor mounting hardware is supplied.
See page 109 for itemized list.



This adaptor properly orients the A & B ports on the manifold to the respective valve solenoids.

Specifications, descriptions, and dimensional data are subject to correction or change without notice or incurring obligation. Download latest catalog page revisions at www.daman.com.

Ordering Information

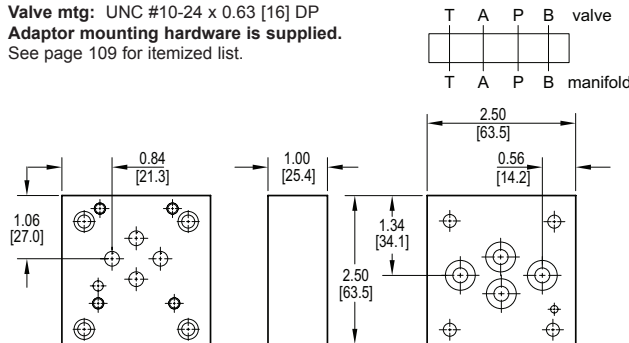
For coating options
see pages 245-246.

Material	Valve Pattern	Manifold Pattern	Product Type	Port Orientation	Bolt Threads																																		
<table border="1"> <thead> <tr> <th colspan="2">Material</th> </tr> </thead> <tbody> <tr> <td>A</td> <td>Aluminum - 6061-T6 3000† psi • 20.7 MPa</td> </tr> <tr> <td>D</td> <td>Ductile Iron - D4512 5000† psi • 34.5 MPa</td> </tr> <tr> <td colspan="2">† Working pressure should be considered in accordance with ISO 4413 to determine appropriate material type.</td> </tr> </tbody> </table>	Material		A	Aluminum - 6061-T6 3000† psi • 20.7 MPa	D	Ductile Iron - D4512 5000† psi • 34.5 MPa	† Working pressure should be considered in accordance with ISO 4413 to determine appropriate material type.		<table border="1"> <thead> <tr> <th colspan="2">Valve Pattern</th> </tr> </thead> <tbody> <tr> <td>D03</td> <td>ISO 4401-03-02 NFPA T3.5.1-D03 See Tech Information</td> </tr> <tr> <td>D05</td> <td>ISO 4401-05-04 NFPA T3.5.1-D05 See Tech Information</td> </tr> </tbody> </table>	Valve Pattern		D03	ISO 4401-03-02 NFPA T3.5.1-D03 See Tech Information	D05	ISO 4401-05-04 NFPA T3.5.1-D05 See Tech Information	<table border="1"> <thead> <tr> <th colspan="2">Manifold Pattern</th> </tr> </thead> <tbody> <tr> <td>S04</td> <td>ISO 10372-04-04 Daman std. S04 See Tech Information</td> </tr> </tbody> </table>	Manifold Pattern		S04	ISO 10372-04-04 Daman std. S04 See Tech Information	<table border="1"> <thead> <tr> <th colspan="2">Product Type</th> </tr> </thead> <tbody> <tr> <td>VA</td> <td>Valve Adaptor</td> </tr> </tbody> </table>	Product Type		VA	Valve Adaptor	<table border="1"> <thead> <tr> <th colspan="2">Port Orientation</th> </tr> </thead> <tbody> <tr> <td>BA</td> <td>B_v common to A_m A_v common to B_m D03 valve pattern only</td> </tr> <tr> <td>AB</td> <td>A_v common to A_m B_v common to B_m D05 valve pattern only</td> </tr> </tbody> </table>	Port Orientation		BA	B _v common to A _m A _v common to B _m D03 valve pattern only	AB	A _v common to A _m B _v common to B _m D05 valve pattern only	<table border="1"> <thead> <tr> <th colspan="2">Bolt Threads</th> </tr> </thead> <tbody> <tr> <td></td> <td>Omit for inch (UNC) bolt kit.</td> </tr> <tr> <td>M</td> <td>Metric (ISO 6H) bolt kit</td> </tr> </tbody> </table>	Bolt Threads			Omit for inch (UNC) bolt kit.	M	Metric (ISO 6H) bolt kit
Material																																							
A	Aluminum - 6061-T6 3000† psi • 20.7 MPa																																						
D	Ductile Iron - D4512 5000† psi • 34.5 MPa																																						
† Working pressure should be considered in accordance with ISO 4413 to determine appropriate material type.																																							
Valve Pattern																																							
D03	ISO 4401-03-02 NFPA T3.5.1-D03 See Tech Information																																						
D05	ISO 4401-05-04 NFPA T3.5.1-D05 See Tech Information																																						
Manifold Pattern																																							
S04	ISO 10372-04-04 Daman std. S04 See Tech Information																																						
Product Type																																							
VA	Valve Adaptor																																						
Port Orientation																																							
BA	B _v common to A _m A _v common to B _m D03 valve pattern only																																						
AB	A _v common to A _m B _v common to B _m D05 valve pattern only																																						
Bolt Threads																																							
	Omit for inch (UNC) bolt kit.																																						
M	Metric (ISO 6H) bolt kit																																						

D03 to “Obsolete Valve” Adaptors

Adapt D03 valve to Racine 01Q manifold

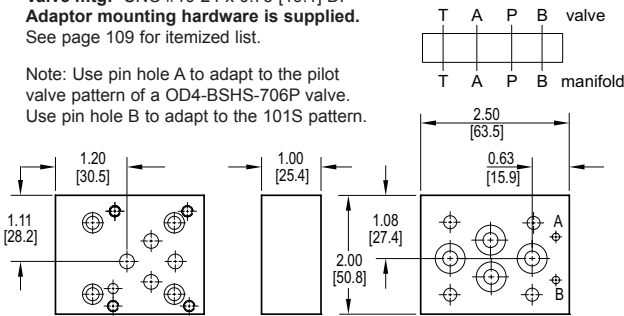
Valve mtg: UNC #10-24 x 0.63 [16] DP
 Adaptor mounting hardware is supplied.
 See page 109 for itemized list.



Adapt D03 valve to Racine 01S manifold

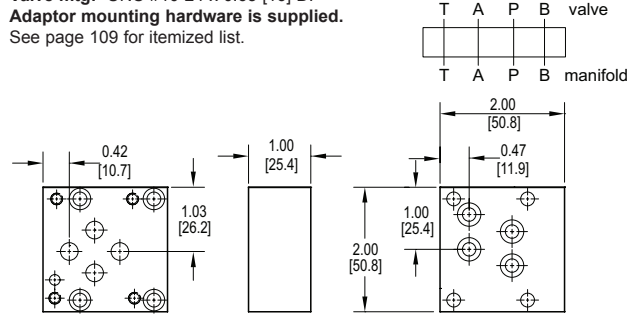
Valve mtg: UNC #10-24 x 0.75 [19.1] DP
 Adaptor mounting hardware is supplied.
 See page 109 for itemized list.

Note: Use pin hole A to adapt to the pilot valve pattern of a OD4-BSHS-706P valve.
 Use pin hole B to adapt to the 101S pattern.



Adapt D03 valve to Parker D1B manifold

Valve mtg: UNC #10-24 x 0.63 [16] DP
 Adaptor mounting hardware is supplied.
 See page 109 for itemized list.



Specifications, descriptions, and dimensional data are subject to correction or change without notice or incurring obligation.
 Download latest catalog page revisions at www.daman.com.

Ordering Information

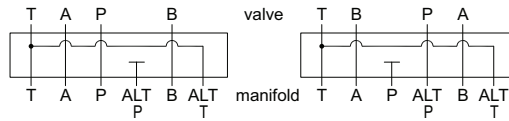
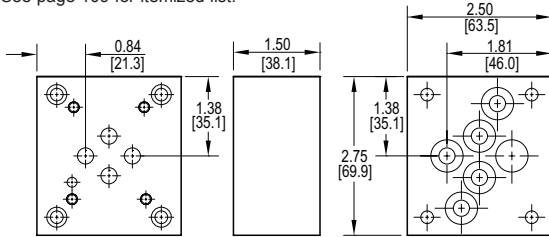
Material	Valve Pattern	Manifold Pattern	Product Type	Port Orientation																														
<table border="1"> <thead> <tr> <th colspan="2">Material</th> </tr> </thead> <tbody> <tr> <td>A</td> <td>Aluminum - 6061-T6 3000[†] psi • 20.7 MPa</td> </tr> <tr> <td>D</td> <td>Ductile Iron - D4512 5000[†] psi • 34.5 MPa</td> </tr> <tr> <td colspan="2">[†] Working pressure should be considered in accordance with ISO 4413 to determine appropriate material type.</td> </tr> </tbody> </table>	Material		A	Aluminum - 6061-T6 3000 [†] psi • 20.7 MPa	D	Ductile Iron - D4512 5000 [†] psi • 34.5 MPa	[†] Working pressure should be considered in accordance with ISO 4413 to determine appropriate material type.		<table border="1"> <thead> <tr> <th colspan="2">Valve Pattern</th> </tr> </thead> <tbody> <tr> <td>D03</td> <td>ISO 4401-03-02 NFPA T3.5.1-D03 See Tech Information</td> </tr> </tbody> </table>	Valve Pattern		D03	ISO 4401-03-02 NFPA T3.5.1-D03 See Tech Information	<table border="1"> <thead> <tr> <th colspan="2">Manifold Pattern</th> </tr> <tr> <td colspan="2">See Tech Information</td> </tr> </thead> <tbody> <tr> <td>01Q</td> <td>Racine FD4-D*HS-*01Q-*</td> </tr> <tr> <td>01S</td> <td>Racine OD4-D*HS-101S</td> </tr> <tr> <td>D1B</td> <td>Parker D1BW-****</td> </tr> </tbody> </table>	Manifold Pattern		See Tech Information		01Q	Racine FD4-D*HS-*01Q-*	01S	Racine OD4-D*HS-101S	D1B	Parker D1BW-****	<table border="1"> <thead> <tr> <th colspan="2">Product Type</th> </tr> </thead> <tbody> <tr> <td>VA</td> <td>Valve Adaptor</td> </tr> </tbody> </table>	Product Type		VA	Valve Adaptor	<table border="1"> <thead> <tr> <th colspan="2">Port Orientation</th> </tr> </thead> <tbody> <tr> <td>AB</td> <td>A_V common to A_M B_V common to B_M</td> </tr> </tbody> </table>	Port Orientation		AB	A _V common to A _M B _V common to B _M
Material																																		
A	Aluminum - 6061-T6 3000 [†] psi • 20.7 MPa																																	
D	Ductile Iron - D4512 5000 [†] psi • 34.5 MPa																																	
[†] Working pressure should be considered in accordance with ISO 4413 to determine appropriate material type.																																		
Valve Pattern																																		
D03	ISO 4401-03-02 NFPA T3.5.1-D03 See Tech Information																																	
Manifold Pattern																																		
See Tech Information																																		
01Q	Racine FD4-D*HS-*01Q-*																																	
01S	Racine OD4-D*HS-101S																																	
D1B	Parker D1BW-****																																	
Product Type																																		
VA	Valve Adaptor																																	
Port Orientation																																		
AB	A _V common to A _M B _V common to B _M																																	

For **coating options**
 see pages 245-246.

D03 to "Obsolete Valve" Adaptors

Adapt D03 valve to Denison D1D04 manifold

Valve mtg: UNC #10-24 x 0.50 [12.7] DP
 Adaptor mounting hardware is supplied.
 See page 109 for itemized list.

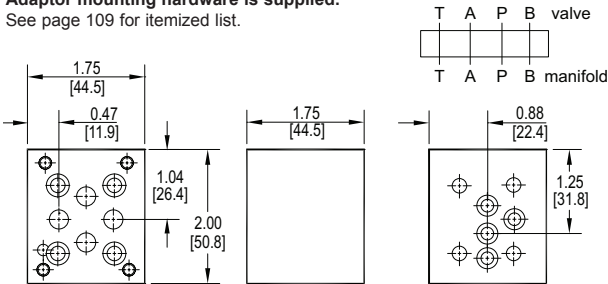


Schematic of typical installation. Replaces D1D04 valves that utilized the standard P port.

Schematic of optional installation. Replaces D1D04 pilot valves that utilized the alternate P port. The adaptor is rotated 180° in this case, which swaps A & B orientation.

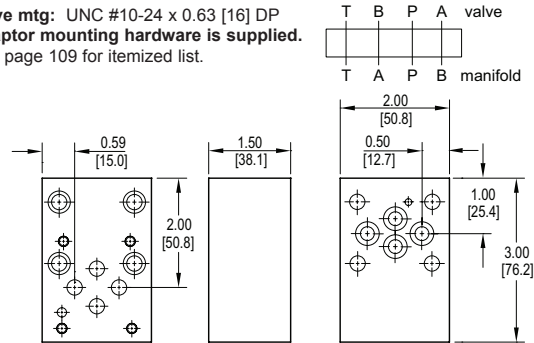
Adapt D03 valve to Vickers D1L manifold

Valve mtg: UNC #10-24 x 0.63 [16] DP
 Adaptor mounting hardware is supplied.
 See page 109 for itemized list.



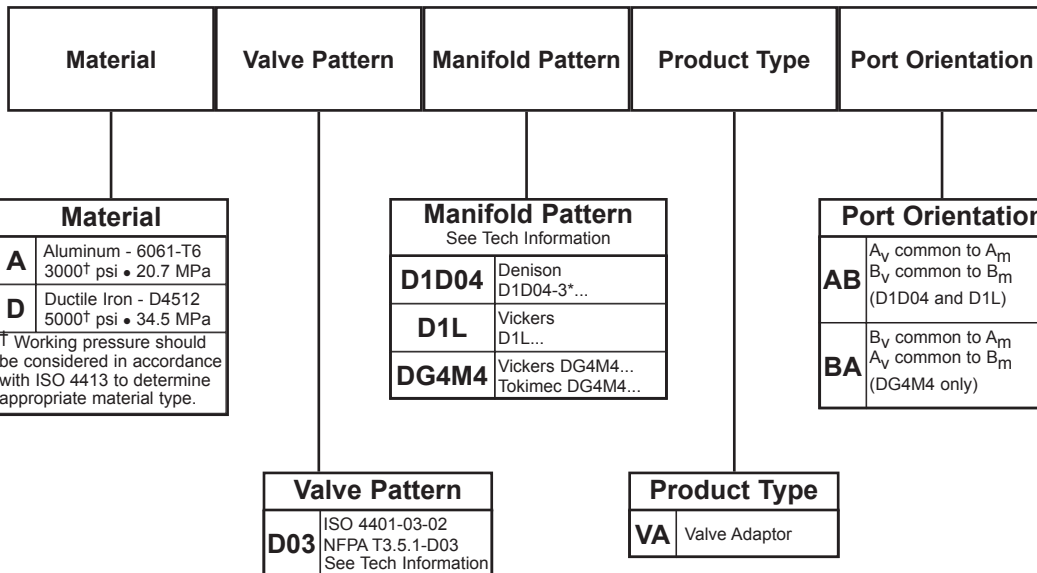
Adapt D03 valve to Vickers DG4M4 manifold

Valve mtg: UNC #10-24 x 0.63 [16] DP
 Adaptor mounting hardware is supplied.
 See page 109 for itemized list.



Specifications, descriptions, and dimensional data are subject to correction or change without notice or incurring obligation. Download latest catalog page revisions at www.daman.com.

Ordering Information

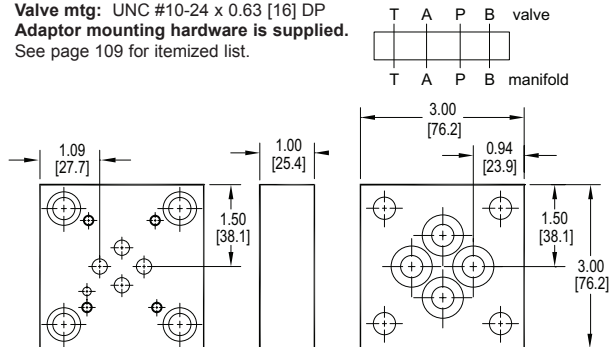


For coating options
 see pages 245-246.

D03 to “Obsolete Valve” Adaptors

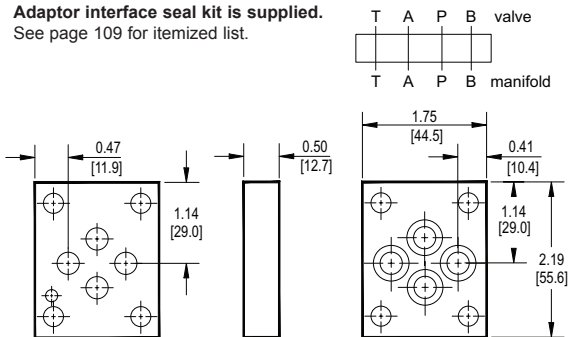
Adapt D03 valve to Republic R8143 manifold

Valve mtg: UNC #10-24 x 0.63 [16] DP
Adaptor mounting hardware is supplied.
 See page 109 for itemized list.



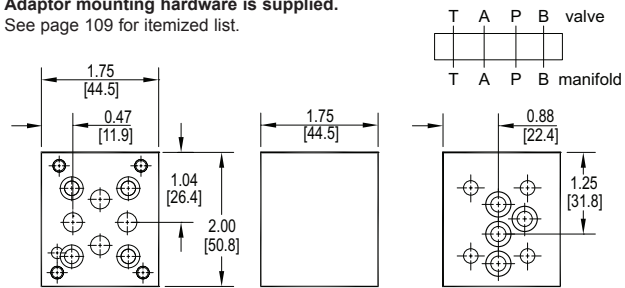
Adapt D03 valve to Rivett RVT65 manifold

Adaptor interface seal kit is supplied.
 See page 109 for itemized list.



Adapt D03 valve to Rexroth WE5 manifold

Valve mtg: UNC #10-24 x 0.63 [16] DP
Adaptor mounting hardware is supplied.
 See page 109 for itemized list.



Specifications, descriptions, and dimensional data are subject to correction or change without notice or incurring obligation. Download latest catalog page revisions at www.daman.com.

Ordering Information

Material	Valve Pattern	Manifold Pattern	Product Type	Port Orientation																														
<table border="1"> <thead> <tr> <th colspan="2">Material</th> </tr> </thead> <tbody> <tr> <td>A</td> <td>Aluminum - 6061-T6 3000[†] psi • 20.7 MPa</td> </tr> <tr> <td>D</td> <td>Ductile Iron - D4512 5000[†] psi • 34.5 MPa</td> </tr> <tr> <td colspan="2">[†] Working pressure should be considered in accordance with ISO 4413 to determine appropriate material type.</td> </tr> </tbody> </table>	Material		A	Aluminum - 6061-T6 3000 [†] psi • 20.7 MPa	D	Ductile Iron - D4512 5000 [†] psi • 34.5 MPa	[†] Working pressure should be considered in accordance with ISO 4413 to determine appropriate material type.		<table border="1"> <thead> <tr> <th colspan="2">Valve Pattern</th> </tr> </thead> <tbody> <tr> <td>D03</td> <td>ISO 4401-03-02 NFFPA T3.5.1-D03 See Tech Information</td> </tr> </tbody> </table>	Valve Pattern		D03	ISO 4401-03-02 NFFPA T3.5.1-D03 See Tech Information	<table border="1"> <thead> <tr> <th colspan="2">Manifold Pattern</th> </tr> <tr> <td colspan="2">See Tech Information</td> </tr> </thead> <tbody> <tr> <td>R8143</td> <td>Republic R-8143...</td> </tr> <tr> <td>RVT65</td> <td>Rivett 65** -01-70 Parker D1RW</td> </tr> <tr> <td>WE5</td> <td>Rexroth WE5...</td> </tr> </tbody> </table>	Manifold Pattern		See Tech Information		R8143	Republic R-8143...	RVT65	Rivett 65** -01-70 Parker D1RW	WE5	Rexroth WE5...	<table border="1"> <thead> <tr> <th colspan="2">Product Type</th> </tr> </thead> <tbody> <tr> <td>VA</td> <td>Valve Adaptor</td> </tr> </tbody> </table>	Product Type		VA	Valve Adaptor	<table border="1"> <thead> <tr> <th colspan="2">Port Orientation</th> </tr> </thead> <tbody> <tr> <td>AB</td> <td>A_V common to A_M B_V common to B_M</td> </tr> </tbody> </table>	Port Orientation		AB	A _V common to A _M B _V common to B _M
Material																																		
A	Aluminum - 6061-T6 3000 [†] psi • 20.7 MPa																																	
D	Ductile Iron - D4512 5000 [†] psi • 34.5 MPa																																	
[†] Working pressure should be considered in accordance with ISO 4413 to determine appropriate material type.																																		
Valve Pattern																																		
D03	ISO 4401-03-02 NFFPA T3.5.1-D03 See Tech Information																																	
Manifold Pattern																																		
See Tech Information																																		
R8143	Republic R-8143...																																	
RVT65	Rivett 65** -01-70 Parker D1RW																																	
WE5	Rexroth WE5...																																	
Product Type																																		
VA	Valve Adaptor																																	
Port Orientation																																		
AB	A _V common to A _M B _V common to B _M																																	

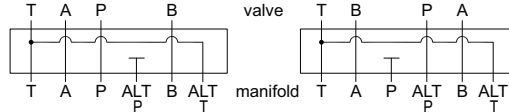
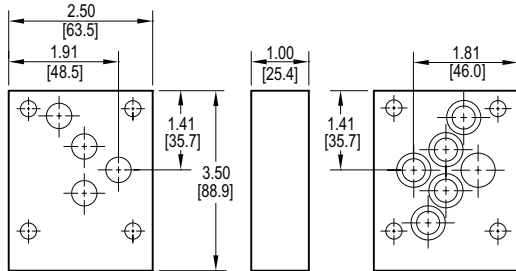
For **coating options** see pages 245-246.

D05 to "Obsolete Valve" Adaptors

Adapt D05 valve to Denison D1D04 manifold

Adaptor interface seal kit is supplied.

See page 109 for itemized list.



Schematic of typical installation. Replaces D1D04 valves that utilized the standard P port.

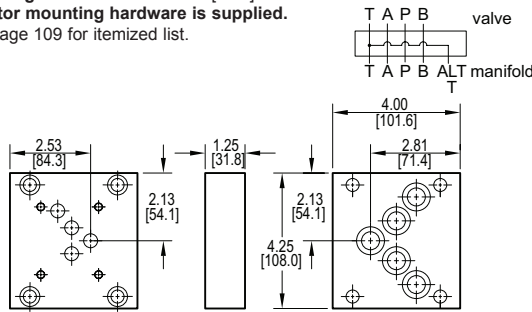
Schematic of optional installation. Replaces D1D04 pilot valves that utilized the alternate P port. The adaptor is rotated 180° in this case, which swaps A & B orientation.

Adapt D05 valve to D06 manifold (Vickers DG4S4-02)

Valve mtg: UNC 0.25-20 x 0.56 [14.2] DP

Adaptor mounting hardware is supplied.

See page 109 for itemized list.

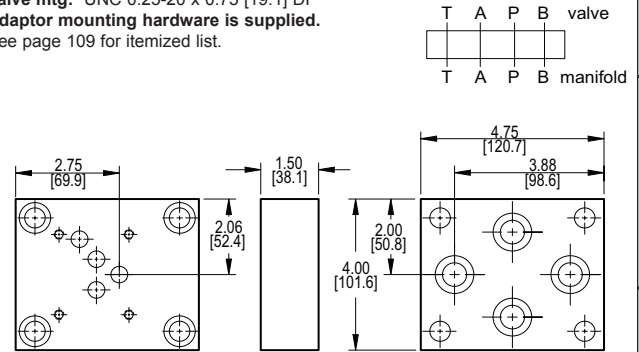


Adapt D05 valve to Denison DD063 manifold

Valve mtg: UNC 0.25-20 x 0.75 [19.1] DP

Adaptor mounting hardware is supplied.

See page 109 for itemized list.



Specifications, descriptions, and dimensional data are subject to correction or change without notice or incurring obligation. Download latest catalog page revisions at www.daman.com.

Ordering Information

Material	Valve Pattern	Manifold Pattern	Product Type	Port Orientation
----------	---------------	------------------	--------------	------------------

For **coating options** see pages 245-246.

Material	
A	Aluminum - 6061-T6 3000 [†] psi • 20.7 MPa
D	Ductile Iron - D4512 5000 [†] psi • 34.5 MPa
[†] Working pressure should be considered in accordance with ISO 4413 to determine appropriate material type.	

Manifold Pattern	
See Tech Information	
D06	Vickers DG4S4-02 NFPA T3.5.1-D06
D1D04	Denison D1D04-3...
DD063	Denison DD063...

Port Orientation	
AB	A _v common to A _m B _v common to B _m

Valve Pattern	
D05	ISO 4401-05-04 NFPA T3.5.1-D05 See Tech Information

Product Type	
VA	Valve Adaptor

D08 to “Obsolete Valve” Adaptors

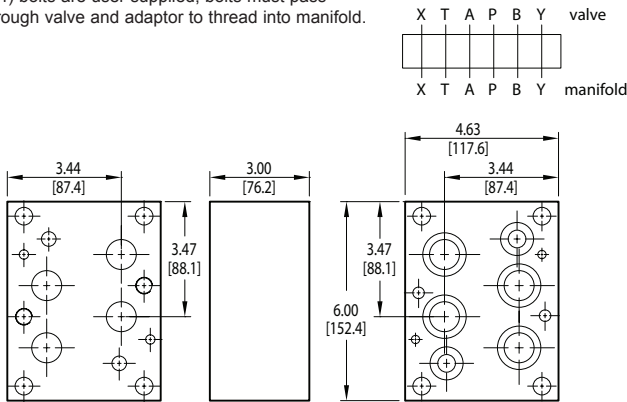
Adapt D08 valve to Denison D1D12 manifold

Valve mtg: (2) UNC 0.50-13 x 0.75 [19.1] DP

Adaptor mounting hardware is supplied.*

See page 109 for itemized list.

* (4) bolts are user supplied; bolts must pass through valve and adaptor to thread into manifold.

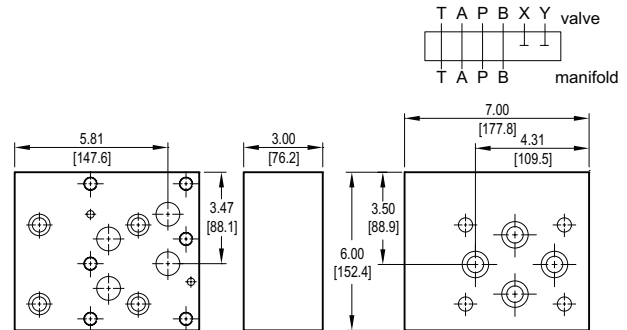


Adapt D08 valve to Denison D2D06 manifold

Valve mtg: UNC 0.50-13 x 1.19 [30.2] DP

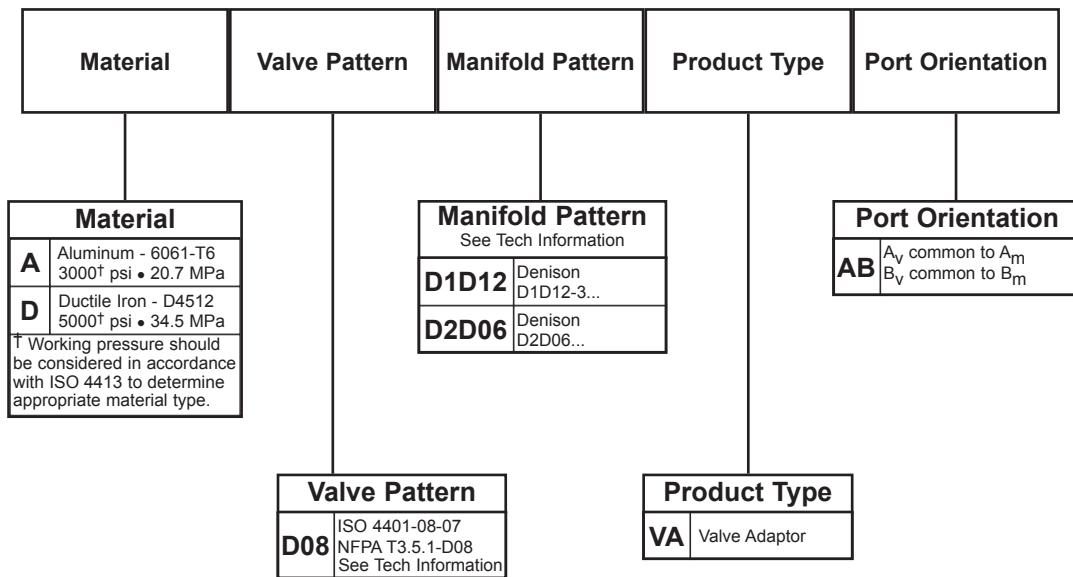
Adaptor mounting hardware is supplied.

See page 109 for itemized list.



Specifications, descriptions, and dimensional data are subject to correction or change without notice or incurring obligation. Download latest catalog page revisions at www.daman.com.

Ordering Information



For **coating options** see pages 245-246.

D10 to “Obsolete Valve” Adaptors

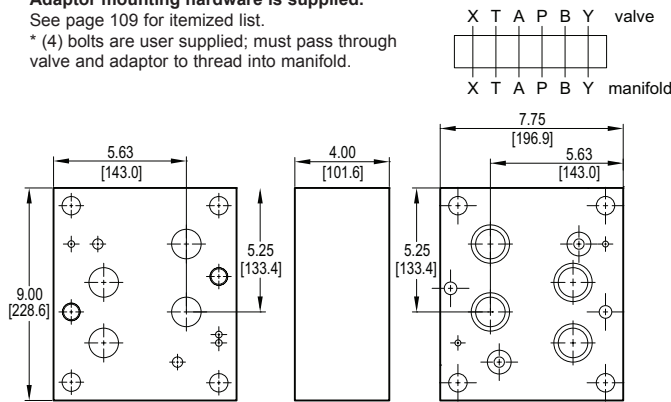
Adapt D10 valve to Denison D1D24 manifold

Valve mtg: (2) UNC 0.75-10 x 1.12 [28.4] DP

Adaptor mounting hardware is supplied.*

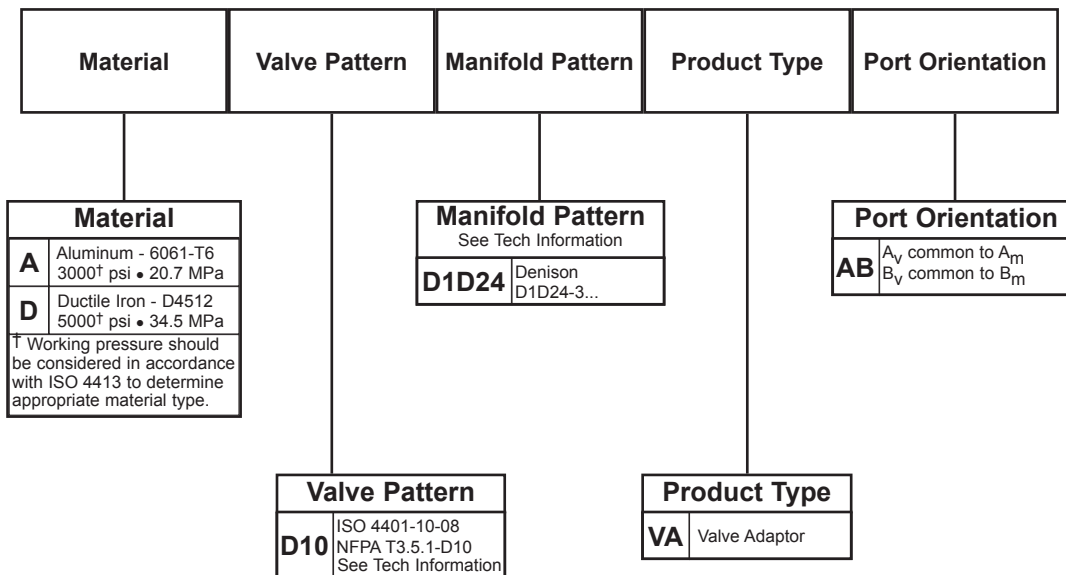
See page 109 for itemized list.

* (4) bolts are user supplied; must pass through valve and adaptor to thread into manifold.



Specifications, descriptions, and dimensional data are subject to correction or change without notice or incurring obligation. Download latest catalog page revisions at www.daman.com.

Ordering Information



For coating options see pages 245-246.

Valve Adaptor Mounting Hardware

AVAILABLE FOR PURCHASE. ORDERING INFORMATION: REMOVE ASTERISK AND ADD "185-" TO BEGINNING OF PART NUMBER LISTED. CONSULT PRICE LIST FOR PRICING.

Part no.	Cat. pg.	Viton O-rings 90 durometer	Mounting Screws	Locating Pins	Plugs
* D02 D03 VA AB	88	(4) -012	(4) UNC #10-24 x 0.88 long SHCS	(1) 0.12 dia x 0.25 long	n/a
* D05 D03 VA AB A	88	(4) -012	(4) UNC #10-24 x 1.50 long SHCS		
* D05 D03 VA AB B	88	(4) -012	(4) UNC #10-24 x 0.75 long SHCS		
* S04 D03 VA BA	88	(4) -012	(4) UNC #10-24 x 1.00 long SHCS		
* D03 D03 VA BA	89	(4) -012	n/a		
* D03 D03 VA AB 090	90	(4) -012	(4) UNC #10-24 x 1.50 long SHCS	(1) 0.12 dia x 0.25 long	n/a
* D03 D03 VA AB 180	90	(4) -012	(4) UNC #10-24 x 2.00 long SHCS		
* D03 D03 VA AB 270	90	(4) -012	(4) UNC #10-24 x 1.50 long SHCS		
* D02 D03 VA AB M	88	(4) -012	(4) ISO 6H M5-0.8 x 20mm SHCS	(1) 0.12 dia x 0.25 long	n/a
* D05 D03 VA AB A M	88	(4) -012	(4) ISO 6H M5-0.8 x 40mm SHCS		
* D05 D03 VA AB B M	88	(4) -012	(4) ISO 6H M5-0.8 x 20mm SHCS		
* S04 D03 VA BA M	88	(4) -012	(4) ISO 6H M5-0.8 x 25mm SHCS		
* D03 D03 VA BA M	89	(4) -012	n/a		
* D03 D05 VA AB	91	(5) -014	(4) UNC 0.25-20 x 1.25 long SHCS	n/a	n/a
* D03 D05 VA BA	91	(5) -014	(4) UNC 0.25-20 x 0.75 long SHCS		
* S04 D05 VA AB	91	(5) -014	(4) UNC 0.25-20 x 1.50 long SHCS		
* D03 D05 VA AB M	91	(5) -014	(4) ISO 6H M6-1.0 x 35mm SHCS	n/a	n/a
* D03 D05 VA BA M	91	(5) -014	(4) ISO 6H M6-1.0 x 20mm SHCS		
* S04 D05 VA AB M	91	(5) -014	(4) ISO 6H M6-1.0 x 40mm SHCS		
* D03 D05H VA AB	92	(1) -011, (6) -014, (1) -016	(4) UNC 0.25-20 x 1.50 long SHCS	n/a	n/a
* D05HE D05H VA AB	92	(2) -011, (5) -014	n/a		
* D05H D05HE VA AB	92	(7) -014	n/a		
* D03 D05H VA AB M	92	(1) -011, (6) -014, (1) -016	(4) ISO 6H M6-1.0 x 35mm SHCS	n/a	n/a
* D05HE D05H VA AB M	92	(2) -011, (5) -014	n/a		
* D05H D05HE VA AB M	92	(7) -014	n/a		
* I06 D05H RVA	93	(1) -011, (6) -014, (1) -016	(4) UNC 0.25-20 x 1.50 long SHCS	n/a	(1) 0.25 NPTF LSPP
* P06 D05H RVA	93	(1) -011, (6) -014, (1) -016	(4) UNC 0.25-20 x 1.50 long SHCS		
* I06 D05H RVA M	93	(1) -011, (6) -014, (1) -016	(4) ISO 6H M6-1.0 x 40mm SHCS	n/a	n/a
* P06 D05H RVA M	93	(1) -011, (6) -014, (1) -016	(4) ISO 6H M6-1.0 x 40mm SHCS		
* D03 D06 VA AB	94	(5) -018	(4) UNC 0.38-16 x 1.25 long SHCS	n/a	n/a
* D05 D06 VA AB	94	(5) -018	(4) UNC 0.38-16 x 1.25 long SHCS		
* D05H D06H VA AB	94	(7) -018	(4) UNC 0.38-16 x 2.00 long SHCS		
* D03 D07 VA AB	95	(2) -011, (4) -210	(2) UNC 0.25-20 x 1.25 long and (4) UNC 0.38-16 x 1.25 long SHCS	(2) 0.12 dia x 0.25 long	n/a
* D05 D07 VA AB	95	(2) -011, (4) -210	(4) UNC 0.38-16 x 1.25 long SHCS		
* D05H D07 VA AB	95	(2) -011, (4) -210	(4) UNC 0.38-16 x 1.25 long SHCS		
* D05HE D07 VA AB	95	(3) -011, (1) -014, (4) -210	(2) UNC 0.25-20 x 1.50 long and (4) UNC 0.38-16 x 1.50 long SHCS		
* D08 D07 VA AB	96	(2) -011, (4) -210	(2) UNC 0.25-20 x 3.00 long and (4) UNC 0.38-16 x 3.00 long SHCS		
* D03 D07 VA AB M	95	(2) -011, (4) -210	(2) ISO 6H M6-1.0 x 35mm and (4) ISO 6H M10-1.5 x 35mm SHCS	(2) 0.12 dia x 0.25 long	n/a
* D05 D07 VA AB M	95	(2) -011, (4) -210	(4) ISO 6H M10-1.5 x 35mm SHCS		
* D05H D07 VA AB M	95	(2) -011, (4) -210	(4) ISO 6H M10-1.5 x 35mm SHCS		
* D05HE D07 VA AB M	95	(3) -011, (1) -014, (4) -210	(2) ISO 6H M6-1.0 x 40mm and (4) ISO 6H M10-1.5 x 40mm SHCS		
* D08 D07 VA AB M	96	(2) -011, (4) -210	(2) ISO 6H M6-1.0 x 75mm and (4) ISO 6H M10-1.5 x 75mm SHCS		

Valve Adaptor Mounting Hardware

AVAILABLE FOR PURCHASE. ORDERING INFORMATION: REMOVE ASTERISK AND ADD "185-" TO BEGINNING OF PART NUMBER LISTED. CONSULT PRICE LIST FOR PRICING.

Part no.	Cat. pg.	Viton O-rings 90 durometer	Mounting Screws	Locating Pins	Plugs
* D03 D08 VA AB	97	(2) -210, (4) -215	(6) UNC 0.50-13 x 1.50 long SHCS	(2) 0.25 dia x 0.50 long	n/a
* D05 D08 VA AB	97	(2) -210, (4) -215	(6) UNC 0.50-13 x 1.50 long SHCS		
* D05H D08 VA AB	97	(2) -210, (4) -215	(4) UNC 0.50-13 x 2.00 long SHCS		
* D05HE D08 VA AB	97	(2) -210, (4) -215	(6) UNC 0.50-13 x 1.50 long SHCS		
* D06 D08 VA AB	98	(2) -210, (4) -215	(4) UNC 0.50-13 x 2.00 long SHCS		
* D07 D08 VA AB	98	(2) -210, (4) -215	(4) UNC 0.50-13 x 1.50 long SHCS		
* D03 D08 VA AB M	97	(2) -210, (4) -215	(6) ISO 6H M12-1.75 x 40mm SHCS		
* D05 D08 VA AB M	97	(2) -210, (4) -215	(6) ISO 6H M12-1.75 x 40mm SHCS		
* D05H D08 VA AB M	97	(2) -210, (4) -215	(4) ISO 6H M12-1.75 x 50mm SHCS		
* D05HE D08 VA AB M	97	(2) -210, (4) -215	(6) ISO 6H M12-1.75 x 40mm SHCS		
* D06 D08 VA AB M	98	(2) -210, (4) -215	(4) ISO 6H M12-1.75 x 50mm SHCS		
* D07 D08 VA AB M	98	(2) -210, (4) -215	(4) ISO 6H M12-1.75 x 40mm SHCS		
* I08 D08 RVA	99	(2) -210, (4) -215	(6) UNC 0.50-13 x 2.00 long SHCS	(2) 0.25 dia x 0.50 long	(1) 0.25 NPTF LSPP
* P08 D08 RVA	99	(2) -210, (4) -215	(6) UNC 0.50-13 x 2.00 long SHCS	(2) 0.25 dia x 0.50 long	n/a
* R08 D08 RVA	99	(2) -210, (4) -215	(6) UNC 0.50-13 x 2.00 long SHCS	(2) 0.25 dia x 0.50 long	(1) 0.25 NPTF LSPP
* I08 D08 RVA M	99	(2) -210, (4) -215	(6) ISO 6H M12-1.75 x 50mm SHCS	(2) 0.25 dia x 0.50 long	n/a
* P08 D08 RVA M	99	(2) -210, (4) -215	(6) ISO 6H M12-1.75 x 50mm SHCS	(2) 0.25 dia x 0.50 long	
* R08 D08 RVA M	99	(2) -210, (4) -215	(6) ISO 6H M12-1.75 x 50mm SHCS	(2) 0.25 dia x 0.50 long	
* D07 D10 VA AB	100	(2) -210, (4) -222	(6) UNC 0.75-10 x 3.00 SHCS	(2) 0.25 dia x 0.50 long	n/a
* D08 D10 VA AB	100	(2) -210, (4) -222	(6) UNC 0.75-10 x 3.00 SHCS	(2) 0.25 dia x 0.50 long	
* D07 D10 VA AB M	100	(2) -210, (4) -222	(6) ISO 6H M20-2.5 x 80mm SHCS	(2) 0.25 dia x 0.50 long	n/a
* D08 D10 VA AB M	100	(2) -210, (4) -222	(6) ISO 6H M20-2.5 x 80mm SHCS	(2) 0.25 dia x 0.50 long	
* D03 S04 VA BA	101	(4) -013	(4) UNC 0.31-18 x 1.00 long SHCS	(2) 0.09 dia x 0.25 long	n/a
* D05 S04 VA AB	101	(4) -013	(4) UNC 0.31-18 x 1.50 long SHCS	(2) 0.09 dia x 0.25 long	
* D03 S04 VA BA M	101	(4) -013	(4) ISO 6H M8-1.25 x 25mm SHCS	(2) 0.09 dia x 0.25 long	n/a
* D05 S04 VA AB M	101	(4) -013	(4) ISO 6H M8-1.25 x 40mm SHCS	(2) 0.09 dia x 0.25 long	
* D03 01Q VA AB	102	(4) -012	(4) UNC #10-24 x 1.00 long SHCS	(1) 0.12 dia x 0.25 long	n/a
* D03 01S VA AB	102	(4) -012	(4) UNC 0.25-20 x 1.25 long SHCS	(1) 0.12 dia x 0.25 long	
* D03 D1B VA AB	102	(4) -010	(4) UNF #10-32 x 1.00 long SHCS	n/a	
* D03 D1D04 VA AB	103	(6) -013	(4) UNC 0.25-20 x 1.50 long SHCS	n/a	n/a
* D03 D1L VA AB	103	(4) -008	(4) UNC #10-24 x 1.75 long SHCS	n/a	
* D03 DG4M4 VA BA	103	(4) -011	(4) UNC 0.25-20 x 1.50 long SHCS	(1) 0.12 dia x 0.25 long	
* D03 R8143 VAAB	104	(4) -016	(4) UNC 0.38-16 x 1.00 long SHCS	n/a	n/a
* D03 RVT65 VA AB	104	(4) -012	n/a	n/a	
* D03 WE5 VA AB	104	(4) -010	(4) UNC #10-24 x 1.75 long SHCS	n/a	
* D05 D06 VA AB	105	(5) -018	(4) UNC 0.38-16 x 1.25 long SHCS	n/a	n/a
* D05 D1D04 VA AB	105	(6) -013	n/a	n/a	
* D05 DD063 VA AB	105	(4) -210	(4) UNC 0.50-13 x 1.50 long SHCS	n/a	
* D08 D1D12 VA AB	106	(2) -210, (4) -215	(2) UNC 0.31-18 x 1.00 long SHCS	(2) 0.25 dia x 0.50 long	n/a
* D08 D2D06 VA AB	106	(4) -210	(4) UNC 0.50-13 x 3.00 long SHCS	n/a	
* D10 D1D24 VA AB	107	(2) -210, (4) -222	(2) UNC 0.50-13 x 1.50 long SHCS	(2) 0.25 dia x 0.50 long	

Standard Manifolds

Cover Plates

Valve Adaptors

Subplates

Servo Valve Subplates

Tapping Plates

Cartridge Valve Cavity Bodies

Header and Junction Blocks

Sandwich Modules

Technical Information

DRIVING EXCEPTIONAL PERFORMANCE DAMAN MANIFOLDS

- Fast turnaround custom manifold design and manufacturing
- Next day shipping for custom manifolds with Daman's Trigger fulfillment system
- Specialty manifolds: surface-treated, stainless steel and large manifolds up to 4,000 lbs.
- Next day shipping for complete line of in-stock standard manifolds
- Expert design services



Daman[®]

SUBPLATES

D02 Subplates	Page 114
D03 Subplates	Pages 115-118
D05 Subplates	Pages 119-125
D07 Subplates	Pages 126-127
D08 Subplates	Pages 128-129
D10 Subplates	Page 130
2F06, 2F07 Subplates	Page 131
P06, P08, P10 Subplates	Page 132
R06, R08, R10 Subplates	Page 133
I08, I10 Subplates	Page 133
Mounting Hardware	Pages 134-136



Subplates

The pages in this section are our standard product offerings for subplates. If you need a custom subplate solution please visit www.daman.com for Request For Quote (RFQ) instructions.

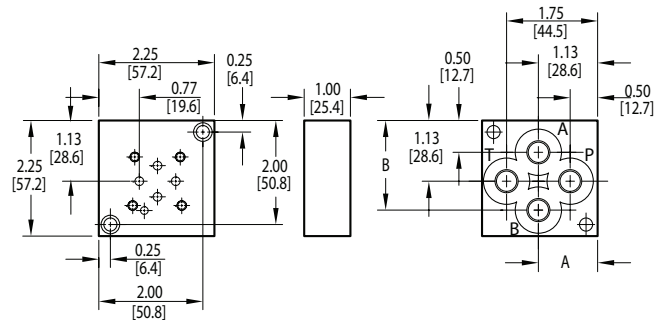
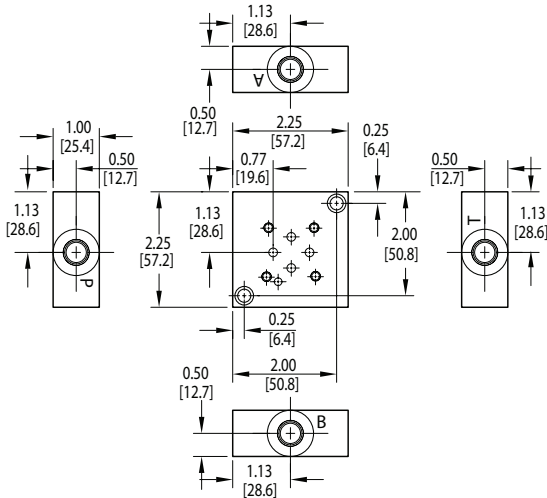
D02 Subplates

Side Ported Subplate

Valve mtg: UNC #10-24 x 0.56 DP or
Metric M5-0.8mm ISO 6H x [14] DP
Subplate hardware kit is supplied.
See page 134 for itemized list.

Back Ported Subplate

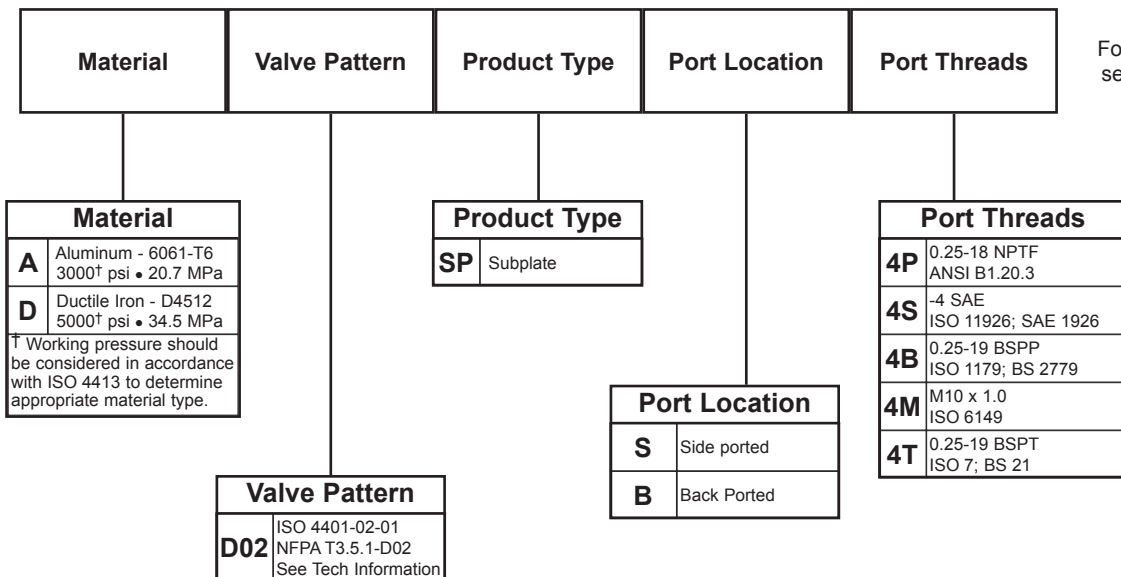
Valve mtg: UNC #10-24 x 0.56 DP or
Metric M5-0.8mm ISO 6H x [14] DP
Subplate mounting hardware is supplied.
See page 134 for itemized list.



Dimension	A	B
*D02SPB4P	1.22 [31.0]	1.88 [47.6]
*D02SPB4T		
*D02SPB4S	1.13 [28.6]	1.75 [44.5]
*D02SPB4B		
*D02SPB4M		

Specifications, descriptions, and dimensional data are subject to correction or change without notice or incurring obligation. Download latest catalog page revisions at www.daman.com.

Ordering Information

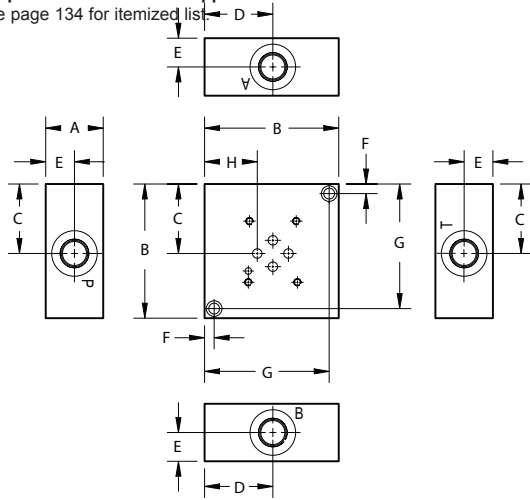


For coating options
see pages 245-246.

D03 Subplates

Side Ported Subplate

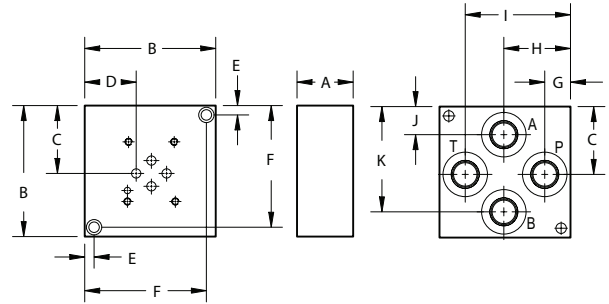
Valve mtg: UNC #10-24 x 0.63 DP or
Metric M5-0.8mm ISO 6H x [16] DP
Subplate hardware kit is supplied.
See page 134 for itemized list.



Dimension	A	B	C	D	E	F	G	H
*D03SPS4P	1.00	2.50	1.31	1.25	0.50	0.25	2.25	0.88
D03SPS6	[25.4]	[63.5]	[33.3]	[31.8]	[12.7]	[6.4]	[57.2]	[22.4]
D03SPS8	1.50	3.50	1.81	1.78	0.75	0.25	3.25	1.38
	[38.1]	[88.9]	[46.0]	[45.2]	[19.1]	[6.4]	[82.6]	[34.9]
D03SPS12	1.75	4.00	2.06	2.03	0.88	0.38	3.63	1.63
	[44.5]	[101.6]	[52.4]	[51.6]	[22.2]	[9.5]	[92.1]	[41.3]

Back Ported Subplate

Valve mtg: UNC #10-24 x 0.63 DP or
Metric M5-0.8mm ISO 6H x [16] DP
Subplate hardware kit is supplied.
See page 134 for itemized list.



Dimension	A	B	C	D	E	F	G	H	I	J	K
*D03SPB4P	1.00	2.50	1.31	0.88	0.25	2.25	0.66	1.28	1.91	0.75	1.88
	[25.4]	[63.5]	[33.3]	[22.4]	[6.4]	[57.2]	[16.7]	[32.5]	[48.4]	[19.1]	[47.6]
*D03SPB6B	1.00	2.50	1.25	0.84	0.25	2.25	0.51	1.25	1.98	0.52	1.97
	[25.4]	[63.5]	[31.8]	[21.4]	[6.4]	[57.2]	[13.0]	[31.8]	[50.4]	[13.2]	[50.0]
*D03SPB6[M,P,S,T]	1.00	2.50	1.31	0.88	0.25	2.25	0.59	1.28	1.97	0.69	1.94
	[25.4]	[63.5]	[33.3]	[22.4]	[6.4]	[57.2]	[15.1]	[32.5]	[50.0]	[17.5]	[49.2]
D03SPB8	1.50	3.50	1.81	1.38	0.25	3.25	0.69	1.78	2.81	0.75	2.81
	[38.1]	[88.9]	[46.0]	[34.9]	[6.4]	[82.6]	[17.5]	[45.2]	[71.4]	[19.1]	[71.4]
D03SPB12	1.50	4.50	2.31	1.88	0.38	4.13	0.94	2.28	3.56	0.94	3.56
	[38.1]	[114.3]	[58.8]	[47.6]	[9.5]	[104.8]	[23.8]	[57.9]	[90.5]	[23.8]	[90.5]

Specifications, descriptions, and dimensional data are subject to correction or change without notice or incurring obligation. Download latest catalog page revisions at www.daman.com.

Ordering Information



For coating options see pages 245-246.

Material	
A	Aluminum - 6061-T6 3000† psi • 20.7 MPa
D	Ductile Iron - D4512 5000† psi • 34.5 MPa

† Working pressure should be considered in accordance with ISO 4413 to determine appropriate material type.

Product Type	
SP	Subplate

Port Location	
S	Side ported
B	Back Ported

Valve Pattern	
D03	ISO 4401-03-02 NFPA T3.5.1-D03 See Tech Information

Port Threads					
4P	0.25-18 NPTF ANSI B1.20.3				
6P	0.38-18 NPTF ANSI B1.20.3	8P	0.50-14 NPTF ANSI B1.20.3	12P	0.75-14 NPTF ANSI B1.20.3
6S	-6 SAE ISO 11926; SAE 1926	8S	-8 SAE ISO 11926; SAE 1926	12S	-12 SAE ISO 11926; SAE 1926
6B	0.38-19 BSPP ISO 1179; BS 2779	8B	0.50-14 BSPP ISO 1179; BS 2779	12B	0.75-14 BSPP ISO 1179; BS 2779
6M	M14 x 1.5 ISO 6149	8M	M18 x 1.5 ISO 6149	12M	M27 x 2.0 ISO 6149
6T	0.38-19 BSPT ISO 7; BS 21	8T	0.50-14 BSPT ISO 7; BS 21	12T	0.75-14 BSPT ISO 7; BS 21

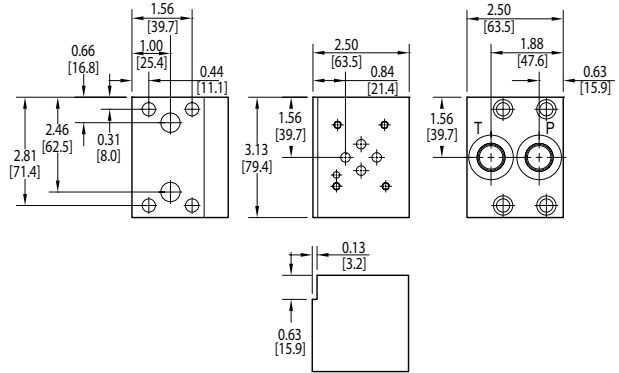
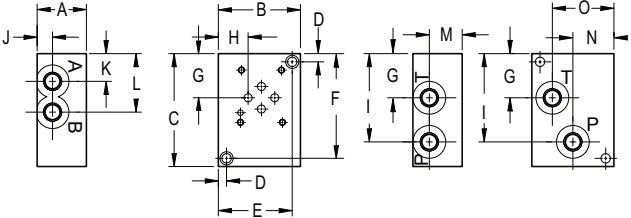
D03 Subplates

Dual Ported Subplate

Valve mtg: UNC #10-24 x 0.50 DP or
Metric M5-0.8mm ISO 6H x [12.7] DP
Subplate hardware kit is supplied.
See page 134 for itemized list.

Motor Mounted Subplate

Available with NPTF or SAE ports only.
Valve mtg: UNC #10-24 x 0.63 DP
Subplate hardware kit is supplied.
See page 134 for itemized list.



Dimension	A	B	C	D	E	F	G	H
D03SPSB6	1.50 [38.1]	2.50 [63.5]	3.44 [87.4]	0.25 [6.4]	2.25 [57.2]	3.19 [81.0]	1.34 [34.0]	0.91 [23.1]
D03SPSB8	2.00 [50.8]	2.75 [69.9]	3.75 [95.3]	0.25 [6.4]	2.50 [63.5]	3.50 [88.9]	1.34 [34.0]	0.91 [23.1]

Dimension	I	J	K	L	M	N	O
*D03SPSB6B	2.69 [68.3]	0.50 [12.7]	0.72 [18.3]	1.78 [45.2]	1.00 [25.4]	1.25 [31.8]	1.88 [47.8]
*D03SPSB6[M,P,S,T]	2.69 [68.3]	0.47 [11.9]	0.84 [21.4]	1.78 [45.2]	1.00 [25.4]	1.25 [31.8]	1.88 [47.8]
*D03SPSB8B	3.00 [76.2]	0.88 [22.2]	0.69 [17.5]	1.97 [50.0]	1.38 [34.9]	1.44 [36.5]	1.94 [49.2]
*D03SPSB8[M,P,S,T]	3.00 [76.2]	0.88 [22.2]	0.69 [17.5]	1.94 [49.2]	1.38 [34.9]	1.44 [36.5]	1.94 [49.2]

Specifications, descriptions, and dimensional data are subject to correction or change without notice or incurring obligation. Download latest catalog page revisions at www.daman.com.

Ordering Information



For **coating options**
see pages 245-246.

Material	
A	Aluminum - 6061-T6 3000 [†] psi • 20.7 MPa
D	Ductile Iron - D4512 5000 [†] psi • 34.5 MPa

[†] Working pressure should be considered in accordance with ISO 4413 to determine appropriate material type.

Product Type	
SP	Subplate

Port Location	
SB	Side P,A,B,T ports Back P & T ports
M	Motor mounting 8P or 8S ports only

Valve Pattern	
D03	ISO 4401-03-02 NFPA T3.5.1-D03 See Tech Information

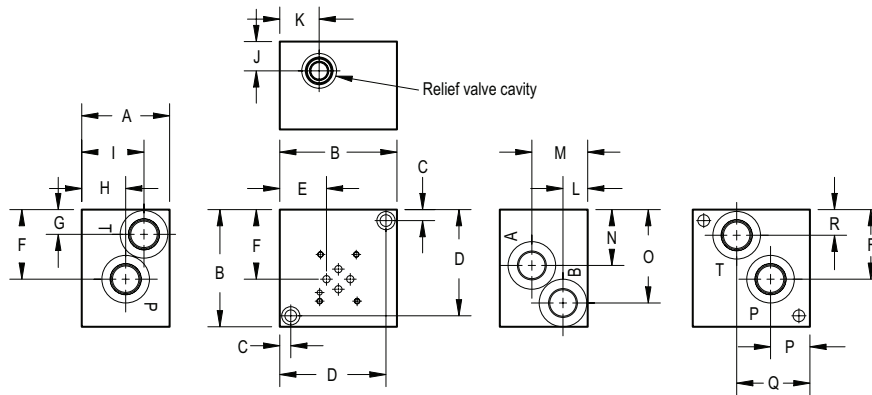
Port Threads			
Port location SB only		Port location SB or M	
6P	0.38-18 NPTF ANSI B1.20.3	8P	0.50-14 NPTF ANSI B1.20.3
6S	-6 SAE ISO 11926; SAE 1926	8S	-8 SAE ISO 11926; SAE 1926
6B	0.38-19 BSPP ISO 1179; BS 2779	Port location SB only	
6M	M14 x 1.5 ISO 6149	8B	0.50-14 BSPP ISO 1179; BS 2779
6T	0.38-19 BSPT ISO 7; BS 21	8M	M18 x 1.5 ISO 6149
		8T	0.50-14 BSPT ISO 7; BS 21

D03 Subplates with Relief Cavity

Dual Ported Subplate with Main Relief Cavity

Valve mtg: UNC #10-24 x 0.63 DP or
Metric M5-0.8mm ISO 6H x [16] DP

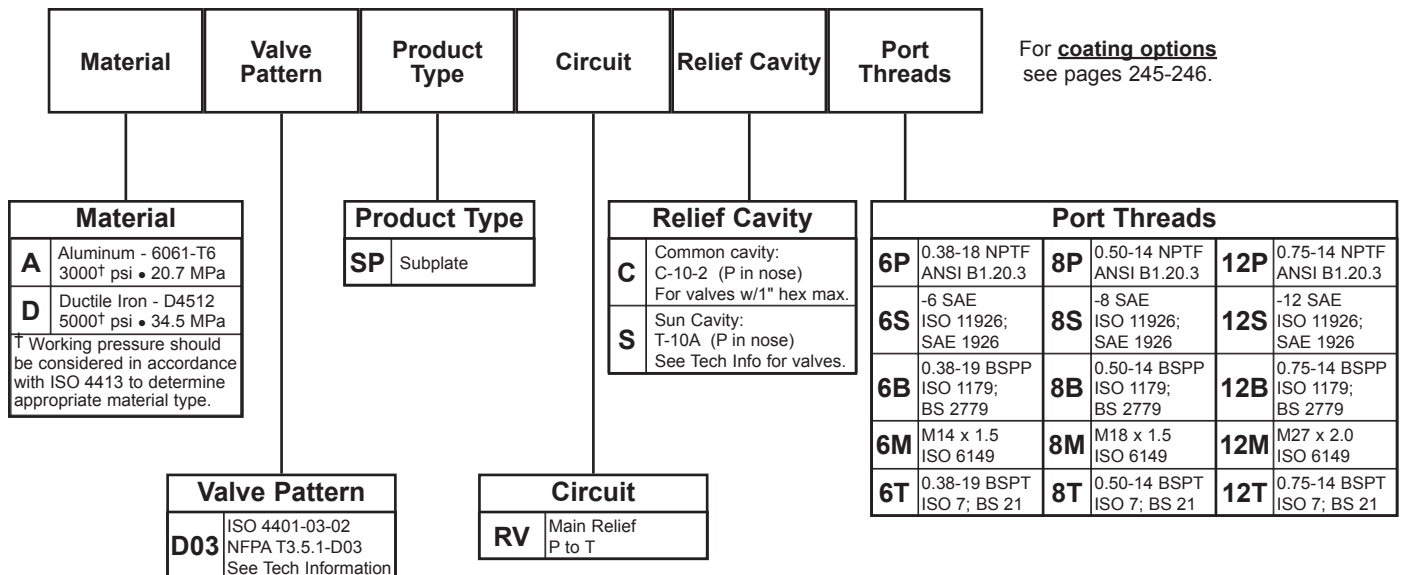
Subplate hardware kit is supplied.
See page 134 for itemized list.



Dimension	A	B	C	D	E	F	G	H	I	J	K	L	M	N	O	P	Q	R
*D03SPRV*6*	2.25 [57.2]	3.00 [76.2]	0.31 [7.9]	2.69 [68.3]	0.97 [24.6]	2.00 [50.8]	0.69 [17.5]	1.66 [42.1]	1.66 [42.1]	0.88 [22.2]	0.84 [21.3]	0.88 [22.2]	1.63 [41.3]	1.53 [38.9]	2.37 [60.2]	0.97 [24.6]	1.69 [42.9]	0.69 [17.5]
*D03SPRV*8*	3.00 [76.2]	3.50 [88.9]	0.38 [9.5]	3.12 [79.4]	1.34 [34.1]	2.19 [55.6]	0.81 [20.6]	1.50 [38.1]	2.00 [50.8]	1.00 [25.4]	1.09 [22.8]	0.84 [21.4]	1.91 [48.4]	1.72 [43.6]	2.53 [64.3]	1.09 [22.8]	2.25 [57.2]	0.81 [20.6]
*D03SPRV*12*	3.00 [76.2]	4.00 [101.6]	0.38 [9.5]	3.63 [92.1]	1.59 [40.5]	2.38 [60.3]	0.84 [21.4]	1.50 [38.1]	2.13 [54.0]	1.00 [25.4]	1.34 [34.1]	0.84 [21.4]	1.91 [48.4]	1.91 [48.4]	3.19 [81.0]	1.34 [34.1]	2.50 [63.5]	0.88 [22.2]

Specifications, descriptions, and dimensional data are subject to correction or change without notice or incurring obligation. Download latest catalog page revisions at www.daman.com.

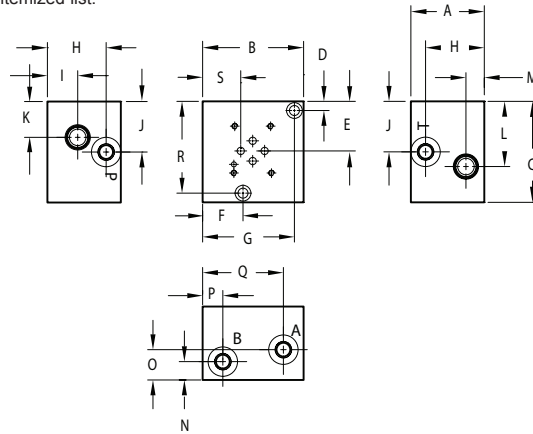
Ordering Information



D03 Subplates with Relief Cavity

Side Ported Subplate with Cylinder Port Crossover Relief Cavities

Valve mtg: UNC #10-24 x 0.63 DP or
Metric M5-0.8mm ISO 6H x [16] DP
Subplate hardware kit is supplied.
See page 134 for itemized list.



Dimension	A	B	C	D	E	F	G	H	I	J	K	L	M	N	O	P	Q	R	S
*D03SPCR*6*	2.50 [63.5]	3.50 [88.9]	3.50 [88.9]	0.31 [7.9]	1.69 [42.9]	1.41 [35.7]	3.19 [81.0]	2.00 [50.8]	1.03 [26.2]	1.72 [43.7]	1.22 [31.0]	2.22 [56.4]	0.63 [16.0]	0.63 [16.0]	1.03 [26.2]	0.69 [17.5]	2.81 [71.4]	3.19 [81.0]	1.33 [33.7]
*D03SPCR*12*	4.00 [101.6]	5.00 [127.0]	4.50 [114.3]	0.38 [9.5]	2.00 [50.8]	2.50 [63.5]	2.50 [63.5]	3.00 [76.2]	1.25 [31.8]	2.00 [50.8]	1.50 [38.1]	2.50 [63.5]	1.00 [25.4]	1.25 [31.8]	1.38 [35.1]	1.00 [25.4]	4.00 [101.6]	4.13 [104.8]	2.06 [52.8]

Specifications, descriptions, and dimensional data are subject to correction or change without notice or incurring obligation. Download latest catalog page revisions at www.daman.com.

Ordering Information

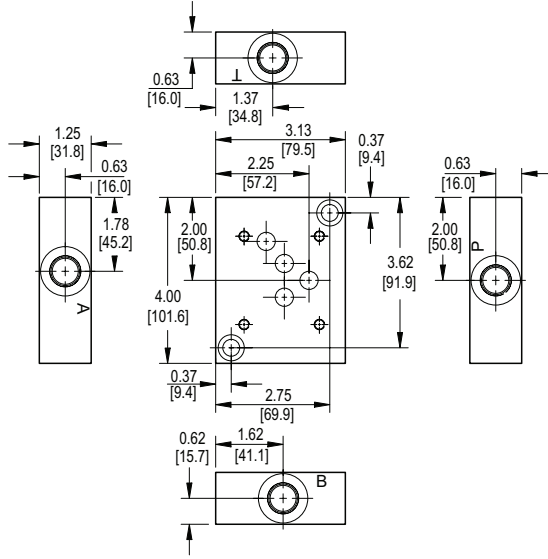
For **coating options**
see pages 245-246.

Material	Valve Pattern	Product Type	Circuit	Relief Cavity	Port Threads																																																		
<table border="1"> <thead> <tr> <th colspan="2">Material</th> </tr> </thead> <tbody> <tr> <td>A</td> <td>Aluminum - 6061-T6 3000[†] psi • 20.7 MPa</td> </tr> <tr> <td>D</td> <td>Ductile Iron - D4512 5000[†] psi • 34.5 MPa</td> </tr> <tr> <td colspan="2">[†] Working pressure should be considered in accordance with ISO 4413 to determine appropriate material type.</td> </tr> </tbody> </table>	Material		A	Aluminum - 6061-T6 3000 [†] psi • 20.7 MPa	D	Ductile Iron - D4512 5000 [†] psi • 34.5 MPa	[†] Working pressure should be considered in accordance with ISO 4413 to determine appropriate material type.		<table border="1"> <thead> <tr> <th colspan="2">Valve Pattern</th> </tr> </thead> <tbody> <tr> <td>D03</td> <td>ISO 4401-03-02 NFPA T3.5.1-D03 See Tech Information</td> </tr> </tbody> </table>	Valve Pattern		D03	ISO 4401-03-02 NFPA T3.5.1-D03 See Tech Information	<table border="1"> <thead> <tr> <th colspan="2">Product Type</th> </tr> </thead> <tbody> <tr> <td>SP</td> <td>Subplate</td> </tr> </tbody> </table>	Product Type		SP	Subplate	<table border="1"> <thead> <tr> <th colspan="2">Circuit</th> </tr> </thead> <tbody> <tr> <td>CR</td> <td>Crossover Reliefs A to B and B to A</td> </tr> </tbody> </table>	Circuit		CR	Crossover Reliefs A to B and B to A	<table border="1"> <thead> <tr> <th colspan="2">Relief Cavity</th> </tr> </thead> <tbody> <tr> <td>C</td> <td>Common cavity: C-10-2 (P in nose) For valves w/1" hex max.</td> </tr> <tr> <td>S</td> <td>Sun Cavity: T-10A (P in nose) See Tech Info for valves.</td> </tr> </tbody> </table>	Relief Cavity		C	Common cavity: C-10-2 (P in nose) For valves w/1" hex max.	S	Sun Cavity: T-10A (P in nose) See Tech Info for valves.	<table border="1"> <thead> <tr> <th colspan="4">Port Threads</th> </tr> </thead> <tbody> <tr> <td>6P</td> <td>0.38-18 NPTF ANSI B1.20.3</td> <td>12P</td> <td>0.75-14 NPTF ANSI B1.20.3</td> </tr> <tr> <td>6S</td> <td>-6 SAE ISO 11926; SAE 1926</td> <td>12S</td> <td>-12 SAE ISO 11926; SAE 1926</td> </tr> <tr> <td>6B</td> <td>0.38-19 BSPP ISO 1179; BS 2779</td> <td>12B</td> <td>0.75-14 BSPP ISO 1179; BS 2779</td> </tr> <tr> <td>6M</td> <td>M14 x 1.5 ISO 6149</td> <td>12M</td> <td>M27 x 2.0 ISO 6149</td> </tr> <tr> <td>6T</td> <td>0.38-19 BSPT ISO 7; BS 21</td> <td>12T</td> <td>0.75-14 BSPT ISO 7; BS 21</td> </tr> </tbody> </table>	Port Threads				6P	0.38-18 NPTF ANSI B1.20.3	12P	0.75-14 NPTF ANSI B1.20.3	6S	-6 SAE ISO 11926; SAE 1926	12S	-12 SAE ISO 11926; SAE 1926	6B	0.38-19 BSPP ISO 1179; BS 2779	12B	0.75-14 BSPP ISO 1179; BS 2779	6M	M14 x 1.5 ISO 6149	12M	M27 x 2.0 ISO 6149	6T	0.38-19 BSPT ISO 7; BS 21	12T	0.75-14 BSPT ISO 7; BS 21
Material																																																							
A	Aluminum - 6061-T6 3000 [†] psi • 20.7 MPa																																																						
D	Ductile Iron - D4512 5000 [†] psi • 34.5 MPa																																																						
[†] Working pressure should be considered in accordance with ISO 4413 to determine appropriate material type.																																																							
Valve Pattern																																																							
D03	ISO 4401-03-02 NFPA T3.5.1-D03 See Tech Information																																																						
Product Type																																																							
SP	Subplate																																																						
Circuit																																																							
CR	Crossover Reliefs A to B and B to A																																																						
Relief Cavity																																																							
C	Common cavity: C-10-2 (P in nose) For valves w/1" hex max.																																																						
S	Sun Cavity: T-10A (P in nose) See Tech Info for valves.																																																						
Port Threads																																																							
6P	0.38-18 NPTF ANSI B1.20.3	12P	0.75-14 NPTF ANSI B1.20.3																																																				
6S	-6 SAE ISO 11926; SAE 1926	12S	-12 SAE ISO 11926; SAE 1926																																																				
6B	0.38-19 BSPP ISO 1179; BS 2779	12B	0.75-14 BSPP ISO 1179; BS 2779																																																				
6M	M14 x 1.5 ISO 6149	12M	M27 x 2.0 ISO 6149																																																				
6T	0.38-19 BSPT ISO 7; BS 21	12T	0.75-14 BSPT ISO 7; BS 21																																																				

D05 Subplates

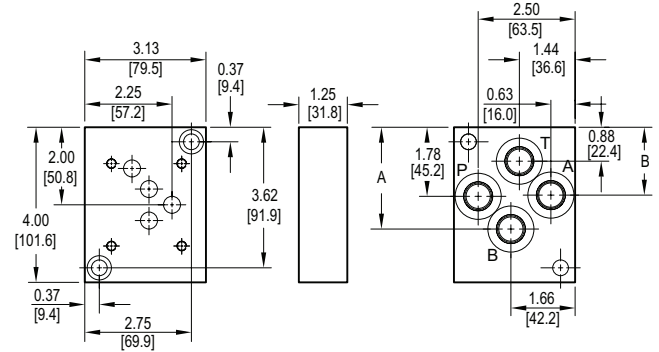
Side Ported Subplate

Valve mtg: UNC 0.25-20 x 0.75 DP or
Metric M6-1.0mm ISO 6H x [19.1] DP
Subplate hardware kit is supplied.
See page 134 for itemized list.



Back Ported Subplate

Valve mtg: UNC 0.25-20 x 0.75 DP or
Metric M6-1.0mm ISO 6H x [19.1] DP
Subplate hardware kit is supplied.
See page 134 for itemized list.



Dimension	A	B
*D05SPB6P	2.63 [66.8]	1.75 [44.5]
*D05SPB8B	2.94 [74.6]	2.00 [50.8]
*D05SPB8[M,P,S,T]	2.63 [66.8]	1.75 [44.5]

Specifications, descriptions, and dimensional data are subject to correction or change without notice or incurring obligation. Download latest catalog page revisions at www.daman.com.

Ordering Information



For **coating options**
see pages 245-246.

Material	
A	Aluminum - 6061-T6 3000† psi • 20.7 MPa
D	Ductile Iron - D4512 5000† psi • 34.5 MPa

† Working pressure should be considered in accordance with ISO 4413 to determine appropriate material type.

Product Type	
SP	Subplate

Port Location	
S	Side ported
B	Back Ported

Port Threads	
6P	0.38-18 NPTF ANSI B1.20.3
8P	0.50-14 NPTF ANSI B1.20.3
8S	-8 SAE ISO 11926; SAE 1926
8B	0.50-14 BSPP ISO 1179; BS 2779
8M	M18 x 1.5 ISO 6149
8T	0.50-14 BSPT ISO 7; BS 21

Valve Pattern	
D05	ISO 4401-05-04 NFFPA T3.5.1-D05 See Tech Information

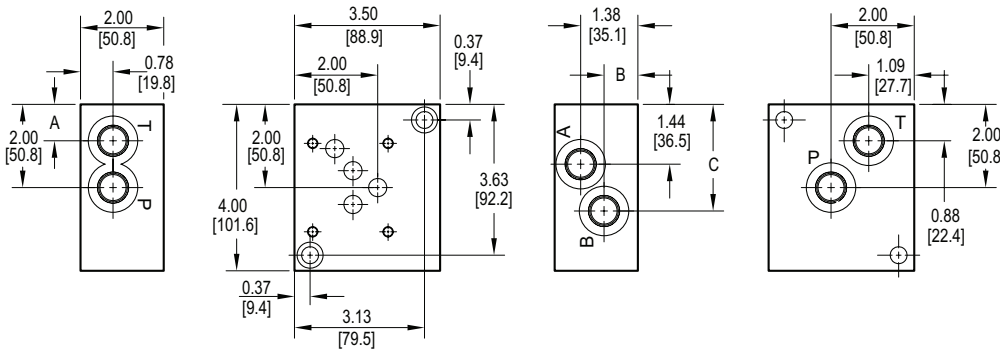
D05 Subplates

Dual Ported Subplate

Valve mtg: UNC 0.25-20 x 0.56 DP or
Metric M6-1.0mm ISO 6H x [14.2] DP

Subplate hardware kit is supplied.

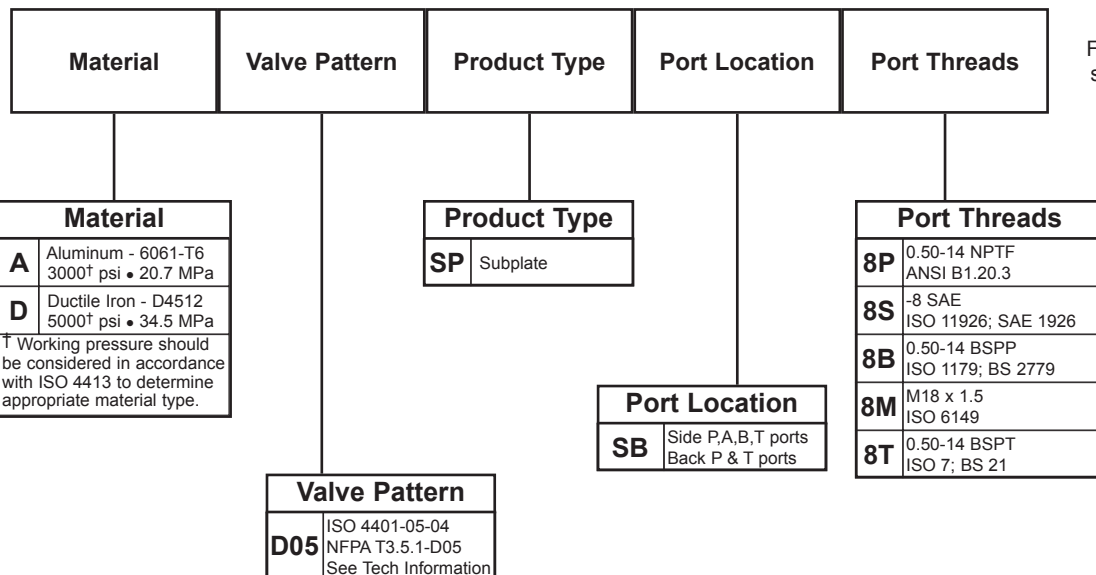
See page 134 for itemized list.



Dimension	A	B	C
*D05SPSB8B	0.66 [16.7]	0.78 [19.8]	2.81 [71.4]
*D05SPSB8[M,P,S,T]	0.88 [22.2]	1.38 [35.1]	2.56 [65.1]

Specifications, descriptions, and dimensional data are subject to correction or change without notice or incurring obligation. Download latest catalog page revisions at www.daman.com.

Ordering Information

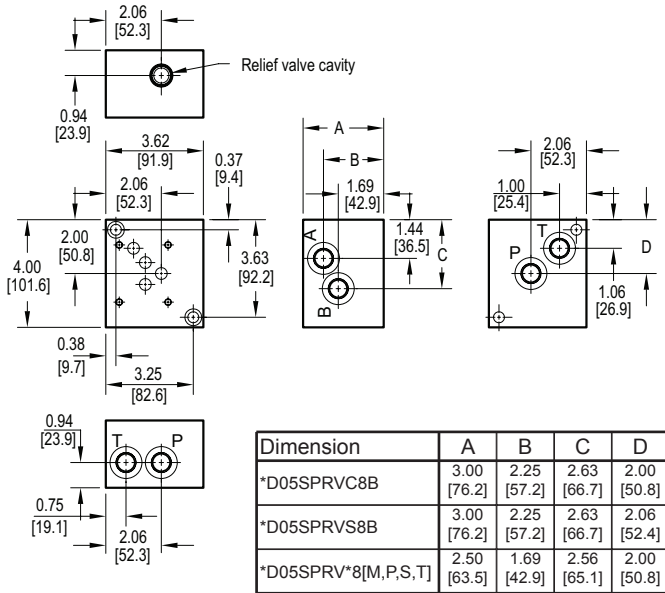


For coating options see pages 245-246.

D05 Subplates with Relief Cavity

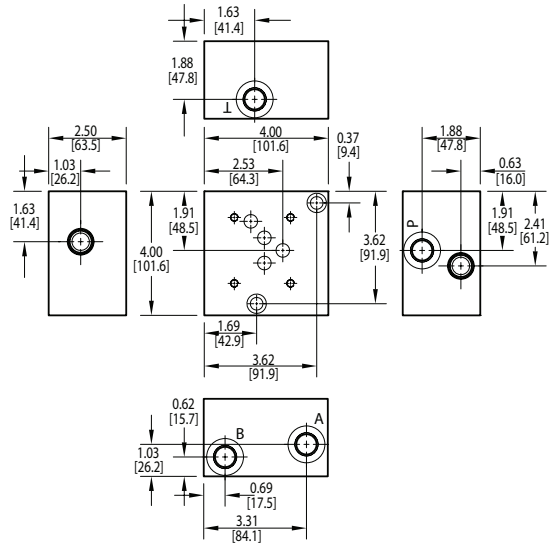
Dual Ported Subplate with Main Relief Cavity

Valve mtg: UNC 0.25-20 x 0.75 DP or
Metric M6-1.0mm ISO 6H x [19.1] DP
Subplate hardware kit is supplied.
See page 134 for itemized list.



Side Ported Subplate with Cylinder Port Crossover Relief Cavities

Valve mtg: UNC 0.25-20 x 0.75 DP or
Metric M6-1.0mm ISO 6H x [19.1] DP
Subplate hardware kit is supplied.
See page 135 for itemized list.



Specifications, descriptions, and dimensional data are subject to correction or change without notice or incurring obligation. Download latest catalog page revisions at www.daman.com.

Ordering Information

For coating options
see pages 245-246.

Material	Valve Pattern	Product Type	Circuit	Relief Cavity	Port Threads
----------	---------------	--------------	---------	---------------	--------------

Material	
A	Aluminum - 6061-T6 3000† psi • 20.7 MPa
D	Ductile Iron - D4512 5000† psi • 34.5 MPa
† Working pressure should be considered in accordance with ISO 4413 to determine appropriate material type.	

Product Type	
SP	Subplate

Relief Cavity	
C	Common cavity: C-10-2 (P in nose) For valves w/1" hex max.
S	Sun Cavity: T-10A (P in nose) See Tech Info for valves.

Port Threads	
8P	0.50-14 NPTF ANSI B1.20.3
8S	-8 SAE ISO 11926; SAE 1926
8B	0.50-14 BSPP ISO 1179; BS 2779
8M	M18 x 1.5 ISO 6149
8T	0.50-14 BSPT ISO 7; BS 21

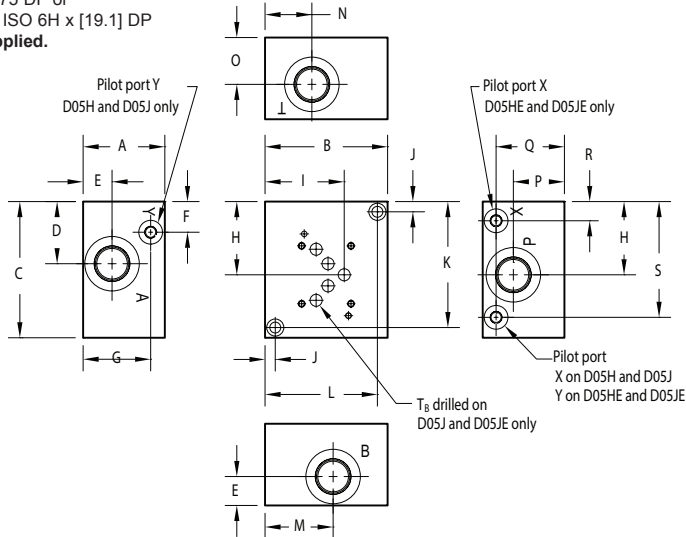
Valve Pattern	
D05	ISO 4401-05-04 NFPA T3.5.1-D05 See Tech Information

Circuit	
RV	Main Relief P to T
CR	Crossover Reliefs A to B and B to A

D05 High Flow Subplates with Pilot Ports

Side Ported Subplate

Valve mtg: UNC 0.25-20 x 0.75 DP or
Metric M6-1.0mm ISO 6H x [19.1] DP
Subplate hardware kit is supplied.
See page 134 for itemized list.



Dimension	A	B	C	D	E	F	G	H	I	J	K	L	M	N	O	P	Q	R	S		
D05HSPS12	1.75 [44.5]	3.75 [95.3]	4.75 [120.7]	2.13 [54.1]	0.88 [22.4]	0.81 [20.6]	0.88 [22.4]	2.37 [60.2]	2.53 [64.3]	0.38 [9.5]	4.37 [111.0]	3.38 [85.9]	1.88 [47.8]	1.88 [47.8]	0.88 [22.4]	0.88 [22.4]	0.88 [22.4]	0.88 [22.4]	0.44 [11.2]	1.00 [25.4]	3.94 [100.1]
D05HESPS12	1.75 [44.5]	3.75 [95.3]	4.75 [120.7]	2.13 [54.1]	0.88 [22.4]	--	--	2.37 [60.2]	2.53 [64.3]	0.38 [9.5]	4.37 [111.0]	3.38 [85.9]	1.88 [47.8]	1.88 [47.8]	0.88 [22.4]	0.88 [22.4]	0.88 [22.4]	0.44 [11.2]	1.00 [25.4]	3.94 [100.1]	
D05JSPS16	3.00 [76.2]	4.50 [114.3]	5.00 [127.0]	2.28 [57.9]	1.06 [27.0]	1.25 [31.8]	2.50 [63.5]	2.69 [68.3]	2.91 [73.8]	0.38 [9.5]	4.63 [117.5]	4.13 [104.8]	2.50 [63.5]	1.72 [43.7]	1.72 [43.7]	1.88 [47.6]	2.50 [63.5]	--	2.50 [63.5]	4.19 [106.4]	
D05JESPS16	3.00 [76.2]	4.50 [114.3]	5.00 [127.0]	2.28 [57.9]	1.06 [27.0]	--	--	2.69 [68.3]	2.91 [73.8]	0.38 [9.5]	4.63 [117.5]	4.13 [104.8]	2.50 [63.5]	1.72 [43.7]	1.72 [43.7]	1.88 [47.6]	2.25 [57.2]	1.13 [28.6]	4.25 [108.0]		

Specifications, descriptions, and dimensional data are subject to correction or change without notice or incurring obligation. Download latest catalog page revisions at www.daman.com.

Ordering Information

Material	Valve Pattern	Product Type	Port Location	Port Threads
----------	---------------	--------------	---------------	--------------

For **coating options** see pages 245-246.

Material	
A	Aluminum - 6061-T6 3000† psi • 20.7 MPa
D	Ductile Iron - D4512 5000† psi • 34.5 MPa

† Working pressure should be considered in accordance with ISO 4413 to determine appropriate material type.

Valve Pattern	
See Tech Information	
D05H	(USA std.) NFFPA T3.5.1-D05 Alt B High flow
D05HE	ISO 4401-05-05 NFFPA T3.5.1-D05 Alt A High flow
D05J	(USA std.) NFFPA T3.5.1-D05 Alt B Extra high flow
D05JE	ISO 4401-05-05 NFFPA T3.5.1-D05 Alt A Extra high flow

Port Location	
S	Side ported

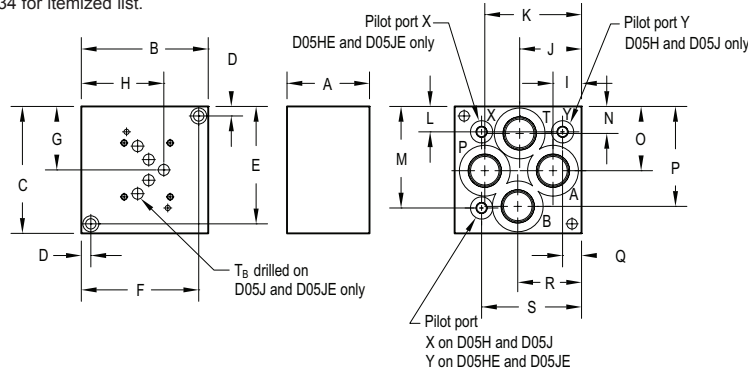
P, T, A, B Port Threads			X & Y port size (reference)	
D05H or D05HE only	D05J or D05JE only			
12P	0.75-14 NPTF ANSI B1.20.3	16P	1.00-11.5 NPTF ANSI B1.20.3	0.25-18 NPTF ANSI B1.20.3
12S	-12 SAE ISO 11926; SAE 1926	16S	-16 SAE ISO 11926; SAE 1926	-4 SAE ISO 11926; SAE 1926
12B	0.75-14 BSPP ISO 1179; BS 2779	16B	1.00-11 BSPP ISO 1179; BS 2779	0.25-19 BSPP ISO 1179; BS 2779
12M	M27 x 2.0 ISO 6149	16M	M33 x 2.0 ISO 6149	M10 x 1.0 ISO 6149
12T	0.75-14 BSPT ISO 7; BS 21	16T	1.00-11 BSPT ISO 7; BS 21	0.25-19 BSPT ISO 7; BS 21

Product Type	
SP	Subplate

D05 High Flow Subplates with Pilot Ports

Back Ported Subplate

Valve mtg: UNC 0.25-20 x 0.75 DP or
Metric M6-1.0mm ISO 6H x [19.1] DP
Subplate hardware kit is supplied.
See page 134 for itemized list.



Dimension	A	B	C	D	E	F	G	H	I	J	K	L	M	N	O	P	Q	R	S
D05HSPB12	1.75 [44.5]	4.50 [114.3]	4.75 [120.7]	0.38 [9.5]	4.38 [111.3]	4.13 [104.9]	2.37 [60.2]	2.91 [73.9]	1.13 [28.6]	2.19 [55.6]	3.31 [84.1]	0.88 [22.2]	3.88 [98.4]	1.13 [28.7]	2.38 [60.5]	3.56 [90.4]	0.59 [15.1]	2.25 [57.2]	3.56 [90.5]
D05HESPB12	1.75 [44.5]	4.50 [114.3]	4.75 [120.7]	0.38 [9.5]	4.38 [111.3]	4.13 [104.9]	2.37 [60.2]	2.91 [73.9]	1.13 [28.6]	2.25 [57.2]	3.31 [84.1]	0.81 [20.6]	3.94 [100.1]	1.13 [28.7]	2.38 [60.5]	3.56 [90.4]	--	2.25 [57.2]	3.50 [88.9]
*D05JSPB16B	3.25 [82.6]	5.00 [127.0]	5.00 [127.0]	0.38 [9.5]	4.63 [117.5]	4.63 [117.5]	2.50 [63.5]	3.25 [82.6]	1.00 [25.4]	2.44 [61.9]	3.84 [97.6]	0.88 [22.2]	4.13 [104.8]	1.00 [25.4]	2.53 [64.3]	4.00 [101.6]	0.75 [19.1]	2.44 [61.9]	4.25 [108.0]
*D05JSPB16[M,P,S,T]	3.25 [82.6]	5.00 [127.0]	5.00 [127.0]	0.38 [9.5]	4.63 [117.5]	4.63 [117.5]	2.50 [63.5]	3.25 [82.6]	1.13 [28.6]	2.44 [61.9]	3.81 [96.8]	1.06 [27.0]	4.00 [101.6]	1.06 [27.0]	2.53 [64.3]	3.94 [100.1]	0.75 [19.1]	2.44 [61.9]	3.94 [100.1]
D05JESPB16	3.25 [82.6]	5.00 [127.0]	5.00 [127.0]	0.38 [9.5]	4.63 [117.5]	4.63 [117.5]	2.50 [63.5]	3.25 [82.6]	1.00 [25.4]	2.44 [61.9]	3.84 [97.6]	1.00 [25.4]	4.00 [101.6]	1.00 [25.4]	2.53 [64.3]	4.00 [101.6]	--	2.44 [61.9]	3.94 [100.1]

Specifications, descriptions, and dimensional data are subject to correction or change without notice or incurring obligation. Download latest catalog page revisions at www.daman.com.

Ordering Information

Material	Valve Pattern	Product Type	Port Location	Port Threads
----------	---------------	--------------	---------------	--------------

For **coating options**
see pages 245-246.

Material	
A	Aluminum - 6061-T6 3000 [†] psi • 20.7 MPa
D	Ductile Iron - D4512 5000 [†] psi • 34.5 MPa

[†] Working pressure should be considered in accordance with ISO 4413 to determine appropriate material type.

Valve Pattern	
See Tech Information	
D05H	(USA std.) NFPA T3.5.1-D05 Alt B High flow
D05HE	ISO 4401-05-05 NFPA T3.5.1-D05 Alt A High flow
D05J	(USA std.) NFPA T3.5.1-D05 Alt B Extra high flow
D05JE	ISO 4401-05-05 NFPA T3.5.1-D05 Alt A Extra high flow

Port Location	
B	Back ported

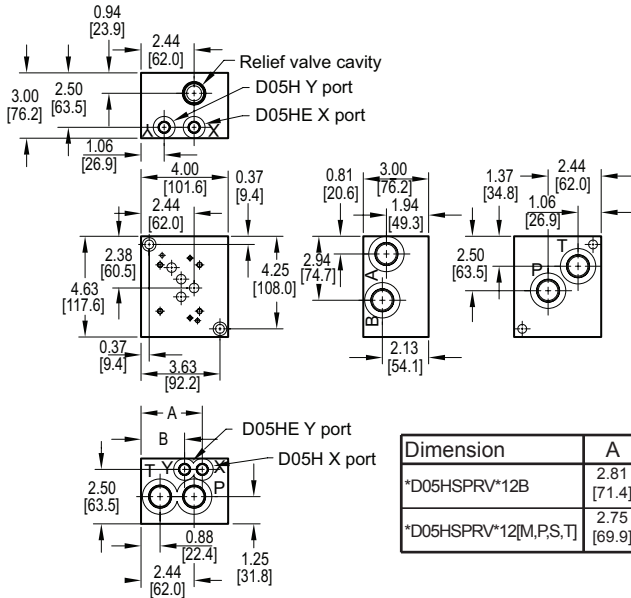
P, T, A, B Port Threads				X & Y port size (reference)
D05H or D05HE only		D05J or D05JE only		
12P	0.75-14 NPTF ANSI B1.20.3	16P	1.00-11.5 NPTF ANSI B1.20.3	0.25-18 NPTF ANSI B1.20.3
12S	-12 SAE ISO 11926; SAE 1926	16S	-16 SAE ISO 11926; SAE 1926	-4 SAE ISO 11926; SAE 1926
12B	0.75-14 BSPP ISO 1179; BS 2779	16B	1.00-11 BSPP ISO 1179; BS 2779	0.25-19 BSPP ISO 1179; BS 2779
12M	M27 x 2.0 ISO 6149	16M	M33 x 2.0 ISO 6149	M10 x 1.0 ISO 6149
12T	0.75-14 BSPT ISO 7; BS 21	16T	1.00-11 BSPT ISO 7; BS 21	0.25-19 BSPT ISO 7; BS 21

Product Type	
SP	Subplate

D05 High Flow Subplates with Pilot Ports and Relief Cavity

D05H High Flow Subplate with Main Relief Cavity

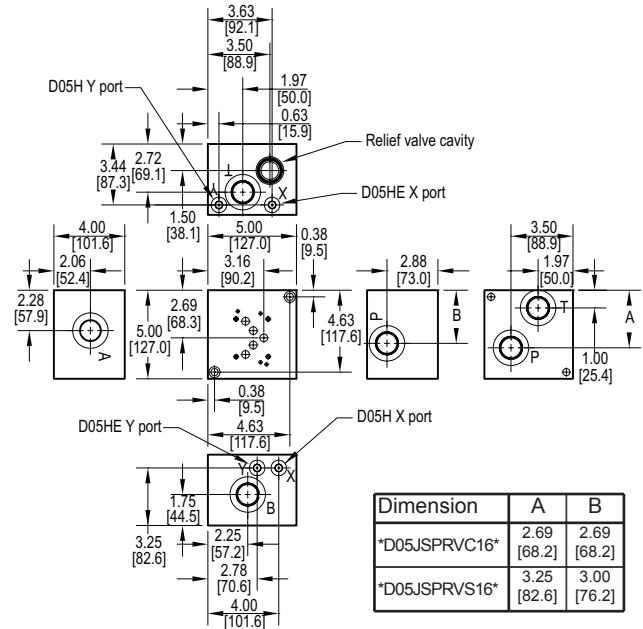
Valve mtg: UNC 0.25-20 x 0.75 DP or Metric M6-1.0mm ISO 6H x [19.1] DP
 Subplate hardware kit is supplied. See page 134 for itemized list.



Dimension	A	B
*D05HSPRV*12B	2.81 [71.4]	1.92 [48.8]
*D05HSPRV*12[M,P,S,T]	2.75 [69.9]	2.06 [52.4]

D05J Extra High Flow Subplate with Main Relief Cavity

Valve mtg: UNC 0.25-20 x 0.75 DP or Metric M6-1.0mm ISO 6H x [19.1] DP
 Subplate hardware kit is supplied. See page 135 for itemized list.



Dimension	A	B
*D05JSPRVC*16*	2.69 [68.2]	2.69 [68.2]
*D05JSPRVS*16*	3.25 [82.6]	3.00 [76.2]

Specifications, descriptions, and dimensional data are subject to correction or change without notice or incurring obligation. Download latest catalog page revisions at www.daman.com.

Ordering Information

Material	Valve Pattern	Product Type	Circuit	Relief Cavity	Port Threads
----------	---------------	--------------	---------	---------------	--------------

For coating options see pages 245-246.

Material	
A	Aluminum - 6061-T6 3000† psi • 20.7 MPa
D	Ductile Iron - D4512 5000† psi • 34.5 MPa

† Working pressure should be considered in accordance with ISO 4413 to determine appropriate material type.

Product Type	
SP	Subplate

Circuit	
RV	Main Relief P to T

Valve Pattern	
See Tech Information	
D05H	ISO 4401-05-05 NFPA T3.5.1-D05 Alt A & B High flow
D05J	ISO 4401-05-05 NFPA T3.5.1-D05 Alt A & B Extra high flow

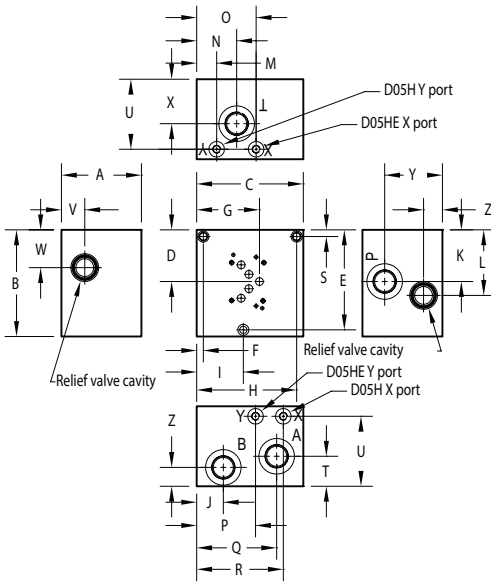
Relief Cavity	
C	Common cavity C-10-2 on D05H (P in nose) C-10-2 for valves w/1" hex max. C-16-2 on D05J (P in nose)
S	Sun Cavity T-3A on D05H (P in nose) T-16A on D05J (P in nose) See Tech Info for valves

P, T, A, B Port Threads			X & Y port size (reference)	
D05H only		D05J only		
12P	0.75-14 NPTF ANSI B1.20.3	16P	1.00-11.5 NPTF ANSI B1.20.3	0.25-18 NPTF ANSI B1.20.3
12S	-12 SAE ISO 11926; SAE 1926	16S	-16 SAE ISO 11926; SAE 1926	-4 SAE ISO 11926; SAE 1926
12B	0.75-14 BSPP ISO 1179; BS 2779	16B	1.00-11 BSPP ISO 1179; BS 2779	0.25-19 BSPP ISO 1179; BS 2779
12M	M27 x 2.0 ISO 6149	16M	M33 x 2.0 ISO 6149	M10 x 1.0 ISO 6149
12T	0.75-14 BSPT ISO 7; BS 21	16T	1.00-11 BSPT ISO 7; BS 21	0.25-19 BSPT ISO 7; BS 21

D05 High Flow Subplates with Pilot Ports and Relief Cavity

Side Ported Subplate with Cylinder Port Crossover Relief Cavities

Valve mtg: UNC 0.25-20 x 0.75 DP or Metric M6-1.0mm ISO 6H x [19.1] DP
Subplate hardware kit is supplied.
 See page 135 for itemized list.



Dimension	A	B	C	D	E	F	G	H	I
*D05HSPCR*12*	4.50 [114.3]	5.00 [127.0]	5.00 [127.0]	2.41 [61.1]	4.63 [117.5]	--	3.03 [77.0]	4.63 [117.5]	2.13 [54.0]
*D05JSPCR*16*	4.50 [114.3]	5.00 [127.0]	5.00 [127.0]	2.41 [61.1]	4.63 [117.5]	--	3.03 [77.0]	4.63 [117.5]	2.13 [54.0]
*D05JSPCRS*16*	4.50 [114.3]	6.00 [152.4]	6.00 [152.4]	2.91 [73.8]	5.63 [142.9]	0.38 [9.7]	3.53 [89.7]	5.63 [142.9]	2.63 [66.7]

Dimension	J	K	L	M	N	O	P	Q	R
*D05HSPCR*12*	1.00 [25.4]	2.41 [61.1]	3.00 [76.2]	0.63 [15.9]	2.00 [50.8]	2.85 [72.3]	2.81 [71.4]	4.00 [101.6]	4.38 [111.1]
*D05JSPCR*16*	1.00 [25.4]	2.41 [61.1]	3.00 [76.2]	0.63 [15.9]	1.75 [44.5]	2.85 [72.3]	2.81 [71.4]	4.00 [101.6]	4.38 [111.1]
*D05JSPCRS*16*	1.50 [38.1]	2.91 [73.8]	3.69 [93.7]	1.13 [28.6]	2.25 [57.2]	3.35 [85.0]	3.31 [84.1]	4.50 [114.3]	4.88 [124.0]

Dimension	S	T	U	V	W	X	Y	Z
*D05HSPCR*12*	0.38 [9.5]	1.69 [42.9]	3.94 [100.0]	1.47 [37.3]	1.75 [44.5]	2.50 [63.5]	3.25 [82.6]	1.28 [32.5]
*D05HSPCRS*12*	0.38 [9.5]	1.69 [42.9]	3.94 [100.0]	1.31 [33.3]	1.75 [44.5]	2.50 [63.5]	3.25 [82.6]	1.06 [27.0]
*D05JSPCR*16*	0.38 [9.5]	1.69 [42.9]	3.94 [100.0]	1.31 [33.3]	1.75 [44.5]	2.50 [63.5]	3.25 [82.6]	1.06 [27.0]
*D05JSPCRS*16*	0.38 [9.5]	1.69 [42.9]	3.94 [100.0]	1.31 [33.3]	2.13 [54.0]	2.50 [63.5]	3.25 [82.6]	1.06 [27.0]

Specifications, descriptions, and dimensional data are subject to correction or change without notice or incurring obligation. Download latest catalog page revisions at www.daman.com.

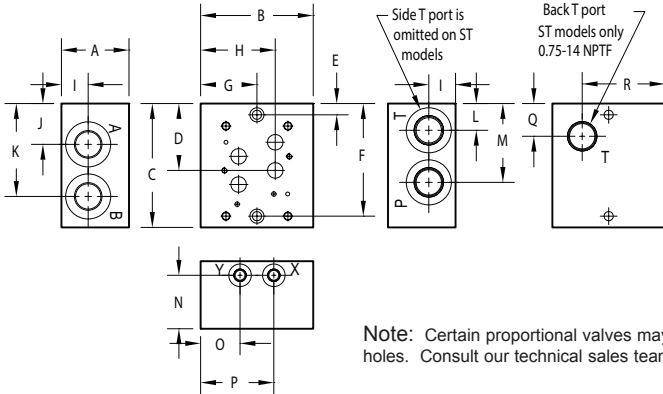
Ordering Information

Material	Valve Pattern	Product Type	Circuit	Relief Cavity	Port Threads																																																															
<table border="1"> <thead> <tr> <th colspan="2">Material</th> </tr> </thead> <tbody> <tr> <td>A</td> <td>Aluminum - 6061-T6 3000† psi • 20.7 MPa</td> </tr> <tr> <td>D</td> <td>Ductile Iron - D4512 5000† psi • 34.5 MPa</td> </tr> </tbody> </table> <p>† Working pressure should be considered in accordance with ISO 4413 to determine appropriate material type.</p>	Material		A	Aluminum - 6061-T6 3000† psi • 20.7 MPa	D	Ductile Iron - D4512 5000† psi • 34.5 MPa	<table border="1"> <thead> <tr> <th colspan="2">Valve Pattern</th> </tr> </thead> <tbody> <tr> <td colspan="2">See Tech Information</td> </tr> <tr> <td>D05H</td> <td>ISO 4401-05-05 NFPA T3.5.1-D05 Alt A & B High flow</td> </tr> <tr> <td>D05J</td> <td>ISO 4401-05-05 NFPA T3.5.1-D05 Alt A & B Extra high flow</td> </tr> </tbody> </table>	Valve Pattern		See Tech Information		D05H	ISO 4401-05-05 NFPA T3.5.1-D05 Alt A & B High flow	D05J	ISO 4401-05-05 NFPA T3.5.1-D05 Alt A & B Extra high flow	<table border="1"> <thead> <tr> <th colspan="2">Product Type</th> </tr> </thead> <tbody> <tr> <td>SP</td> <td>Subplate</td> </tr> </tbody> </table>	Product Type		SP	Subplate	<table border="1"> <thead> <tr> <th colspan="2">Circuit</th> </tr> </thead> <tbody> <tr> <td>CR</td> <td>Crossover Reliefs A to B and B to A</td> </tr> </tbody> </table>	Circuit		CR	Crossover Reliefs A to B and B to A	<table border="1"> <thead> <tr> <th colspan="3">Relief Cavity</th> </tr> </thead> <tbody> <tr> <td>C</td> <td>Common cavity C-10-2 on D05H (P in nose) C-10-2 for valves w/1" hex max. C-16-2 on D05J (P in nose)</td> <td></td> </tr> <tr> <td>S</td> <td>Sun Cavity T-3A on D05H (P in nose) T-16A on D05J (P in nose) See Tech Info for valves</td> <td></td> </tr> </tbody> </table>	Relief Cavity			C	Common cavity C-10-2 on D05H (P in nose) C-10-2 for valves w/1" hex max. C-16-2 on D05J (P in nose)		S	Sun Cavity T-3A on D05H (P in nose) T-16A on D05J (P in nose) See Tech Info for valves		<p>For coating options see pages 245-246.</p> <table border="1"> <thead> <tr> <th colspan="3">P, T, A, B Port Threads</th> <th rowspan="2">X & Y port size (reference)</th> </tr> <tr> <th colspan="2">D05H only</th> <th>D05J only</th> </tr> </thead> <tbody> <tr> <td>12P</td> <td>0.75-14 NPTF ANSI B1.20.3</td> <td>16P</td> <td>1.00-11.5 NPTF ANSI B1.20.3</td> <td>0.25-18 NPTF ANSI B1.20.3</td> </tr> <tr> <td>12S</td> <td>-12 SAE ISO 11926; SAE 1926</td> <td>16S</td> <td>-16 SAE ISO 11926; SAE 1926</td> <td>-4 SAE ISO 11926; SAE 1926</td> </tr> <tr> <td>12B</td> <td>0.75-14 BSPP ISO 1179; BS 2779</td> <td>16B</td> <td>1.00-11 BSPP ISO 1179; BS 2779</td> <td>0.25-19 BSPP ISO 1179; BS 2779</td> </tr> <tr> <td>12M</td> <td>M27 x 2.0 ISO 6149</td> <td>16M</td> <td>M33 x 2.0 ISO 6149</td> <td>M10 x 1.0 ISO 6149</td> </tr> <tr> <td>12T</td> <td>0.75-14 BSPT ISO 7; BS 21</td> <td>16T</td> <td>1.00-11 BSPT ISO 7; BS 21</td> <td>0.25-19 BSPT ISO 7; BS 21</td> </tr> </tbody> </table>	P, T, A, B Port Threads			X & Y port size (reference)	D05H only		D05J only	12P	0.75-14 NPTF ANSI B1.20.3	16P	1.00-11.5 NPTF ANSI B1.20.3	0.25-18 NPTF ANSI B1.20.3	12S	-12 SAE ISO 11926; SAE 1926	16S	-16 SAE ISO 11926; SAE 1926	-4 SAE ISO 11926; SAE 1926	12B	0.75-14 BSPP ISO 1179; BS 2779	16B	1.00-11 BSPP ISO 1179; BS 2779	0.25-19 BSPP ISO 1179; BS 2779	12M	M27 x 2.0 ISO 6149	16M	M33 x 2.0 ISO 6149	M10 x 1.0 ISO 6149	12T	0.75-14 BSPT ISO 7; BS 21	16T	1.00-11 BSPT ISO 7; BS 21	0.25-19 BSPT ISO 7; BS 21
Material																																																																				
A	Aluminum - 6061-T6 3000† psi • 20.7 MPa																																																																			
D	Ductile Iron - D4512 5000† psi • 34.5 MPa																																																																			
Valve Pattern																																																																				
See Tech Information																																																																				
D05H	ISO 4401-05-05 NFPA T3.5.1-D05 Alt A & B High flow																																																																			
D05J	ISO 4401-05-05 NFPA T3.5.1-D05 Alt A & B Extra high flow																																																																			
Product Type																																																																				
SP	Subplate																																																																			
Circuit																																																																				
CR	Crossover Reliefs A to B and B to A																																																																			
Relief Cavity																																																																				
C	Common cavity C-10-2 on D05H (P in nose) C-10-2 for valves w/1" hex max. C-16-2 on D05J (P in nose)																																																																			
S	Sun Cavity T-3A on D05H (P in nose) T-16A on D05J (P in nose) See Tech Info for valves																																																																			
P, T, A, B Port Threads			X & Y port size (reference)																																																																	
D05H only		D05J only																																																																		
12P	0.75-14 NPTF ANSI B1.20.3	16P	1.00-11.5 NPTF ANSI B1.20.3	0.25-18 NPTF ANSI B1.20.3																																																																
12S	-12 SAE ISO 11926; SAE 1926	16S	-16 SAE ISO 11926; SAE 1926	-4 SAE ISO 11926; SAE 1926																																																																
12B	0.75-14 BSPP ISO 1179; BS 2779	16B	1.00-11 BSPP ISO 1179; BS 2779	0.25-19 BSPP ISO 1179; BS 2779																																																																
12M	M27 x 2.0 ISO 6149	16M	M33 x 2.0 ISO 6149	M10 x 1.0 ISO 6149																																																																
12T	0.75-14 BSPT ISO 7; BS 21	16T	1.00-11 BSPT ISO 7; BS 21	0.25-19 BSPT ISO 7; BS 21																																																																

D07 Subplates

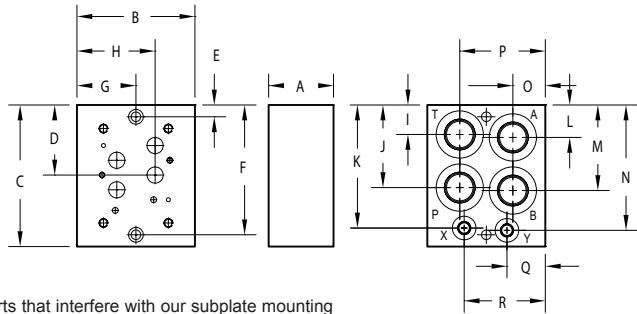
Side Ported Subplate

Valve mtg: UNC 0.25-20 x 0.75 DP and UNC 0.38-16 x 1.00 DP or Metric M6-1.0mm ISO 6H x [19.1] DP and M10-1.5mm ISO 6H x [25.4] DP
Subplate hardware kit is supplied.
 See page 135 for itemized list.



Back Ported Subplate

Valve mtg: UNC 0.25-20 x 0.75 DP and UNC 0.38-16 x 1.00 DP or Metric M6-1.0mm ISO 6H x [19.1] DP and M10-1.5mm ISO 6H x [25.4] DP
Subplate hardware kit is supplied.
 See page 135 for itemized list.



Note: Certain proportional valves may have ports that interfere with our subplate mounting holes. Consult our technical sales team for information or custom subplate pricing.

Dimension	A	B	C	D	E	F	G	H	I	J	K	L	M	N	O	P	Q	R
D07SPSO12	1.75 [44.5]	3.75 [95.3]	4.75 [120.7]	2.34 [59.4]	0.38 [9.5]	4.38 [111.3]	1.88 [47.8]	2.69 [68.3]	0.81 [20.6]	1.50 [38.1]	3.13 [79.5]	1.19 [30.2]	2.78 [70.6]	1.25 [31.8]	1.12 [28.4]	2.62 [66.5]	--	--
D07SPST12	1.75 [44.5]	3.75 [95.3]	4.75 [120.7]	2.34 [59.4]	0.38 [9.5]	4.38 [111.3]	1.88 [47.8]	2.69 [68.3]	0.81 [20.6]	1.50 [38.1]	3.13 [79.5]	--	2.78 [70.6]	1.25 [31.8]	1.12 [28.4]	2.62 [66.5]	1.09 [27.7]	2.69 [68.3]
D07SPSO16	3.00 [76.2]	5.00 [127.0]	5.50 [139.7]	2.97 [75.4]	0.50 [12.7]	5.00 [127.0]	2.50 [63.5]	3.31 [84.2]	1.16 [29.5]	1.81 [46.0]	4.13 [104.8]	1.19 [30.2]	3.50 [88.9]	2.38 [60.3]	1.75 [44.5]	3.25 [82.6]	--	--
*D07SPB12B	1.50 [38.1]	4.00 [101.6]	4.75 [120.7]	2.34 [59.4]	0.38 [9.5]	4.37 [111.0]	2.00 [50.8]	2.81 [71.4]	1.09 [27.7]	2.75 [69.9]	4.00 [101.6]	1.19 [30.2]	2.81 [71.4]	4.09 [103.9]	1.13 [28.7]	2.94 [74.7]	1.13 [28.7]	2.94 [74.7]
*D07SPB12[M,P,S,T]	1.50 [38.1]	4.00 [101.6]	4.75 [120.7]	2.34 [59.4]	0.38 [9.5]	4.37 [111.0]	2.00 [50.8]	2.81 [71.4]	1.09 [27.7]	2.81 [71.4]	4.00 [101.6]	1.25 [31.8]	2.91 [73.9]	4.09 [103.9]	1.13 [28.7]	2.94 [74.7]	1.13 [28.7]	2.94 [74.7]
D07SPB16	2.75 [69.9]	5.00 [101.6]	6.00 [152.4]	2.97 [75.4]	0.50 [12.7]	5.50 [139.7]	2.50 [63.5]	3.31 [84.2]	1.25 [31.8]	3.50 [88.9]	5.31 [134.9]	1.38 [34.9]	3.63 [92.1]	5.31 [134.9]	1.38 [34.9]	3.63 [92.1]	1.63 [41.3]	3.44 [87.3]

Specifications, descriptions, and dimensional data are subject to correction or change without notice or incurring obligation. Download latest catalog page revisions at www.daman.com.

Ordering Information

Material	Valve Pattern	Product Type	Port Location	Port Threads
----------	---------------	--------------	---------------	--------------

For **coating options** see pages 245-246.

Material	
A	Aluminum - 6061-T6 3000† psi • 20.7 MPa
D	Ductile Iron - D4512 5000† psi • 34.5 MPa

† Working pressure should be considered in accordance with ISO 4413 to determine appropriate material type.

Valve Pattern	
D07	ISO 4401-07-06 NFPA T3.5.1-D07 See Tech Information

Port Location	
SO	Side ported
ST	Side P,A,B ports Back T port. Available on 12P and 12S only
B	Back ported

Product Type	
SP	Subplate

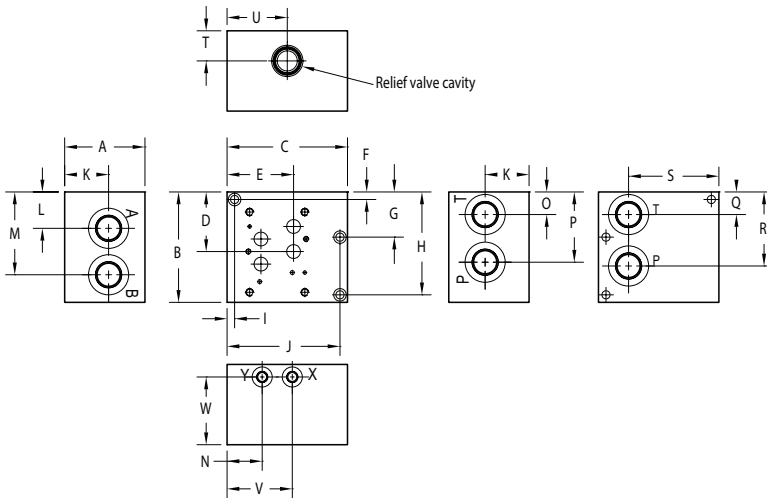
P, T, A, B Port Threads*				X & Y port size (reference)
12P	0.75-14 NPTF ANSI B1.20.3	16P	1.00-11.5 NPTF ANSI B1.20.3	0.25-18 NPTF ANSI B1.20.3
12S	-12 SAE ISO 11926; SAE 1926	16S	-16 SAE ISO 11926; SAE 1926	-6 SAE ISO 11926; SAE 1926
12B	0.75-14 BSPP ISO 1179; BS 2779	16B	1.00-11 BSPP ISO 1179; BS 2779	0.25-19 BSPP ISO 1179; BS 2779
12M	M27 x 2.0 ISO 6149	16M	M33 x 2.0 ISO 6149	M14 x 1.5 ISO 6149
12T	0.75-14 BSPT ISO 7; BS 21	16T	1.00-11 BSPT ISO 7; BS 21	0.25-19 BSPT ISO 7; BS 21

* T port is always 0.75-14 NPTF on ST models.

D07 Subplates with Relief Cavity

Dual Ported Subplate with Main Relief Cavity

Valve mtg: UNC 0.25-20 x 0.50 DP and UNC 0.38-16 x 0.75 DP or
Metric M6-1.0mm ISO 6H x [12.7] DP and M10-1.5mm ISO 6H x [19.1] DP
Subplate hardware kit is supplied.
See page 135 for itemized list.



Dimension	A	B	C	D	E	F	G	H
D07SPRVC12	2.75 [69.9]	4.75 [120.7]	4.00 [101.6]	2.34 [59.4]	2.81 [71.4]	0.38 [9.5]	--	4.37 [111.0]
D07SPRVS12	2.50 [63.5]	4.75 [120.7]	4.00 [101.6]	2.34 [59.4]	2.81 [71.4]	0.38 [9.5]	--	4.37 [111.0]
D07SPRVC16	4.00 [101.6]	5.50 [139.7]	6.00 [152.4]	2.97 [75.4]	3.31 [84.2]	0.38 [9.5]	2.25 [57.2]	5.13 [130.2]
D07SPRVS16	4.00 [101.6]	5.50 [139.7]	6.00 [152.4]	2.97 [75.4]	3.31 [84.2]	0.38 [9.5]	2.25 [57.2]	5.13 [130.2]

Dimension	I	J	K	L	M	N	O	P
D07SPRVC12	1.38 [35.1]	2.00 [50.8]	1.50 [38.1]	1.50 [38.1]	3.12 [79.2]	1.19 [30.2]	1.19 [30.2]	2.78 [70.6]
D07SPRVS12	1.38 [35.1]	2.00 [50.8]	1.25 [31.8]	1.50 [38.1]	3.12 [79.2]	1.19 [30.2]	1.19 [30.2]	2.78 [70.6]
D07SPRVC16	0.38 [9.5]	5.63 [142.9]	2.19 [55.6]	1.81 [46.0]	4.13 [104.8]	1.75 [44.5]	1.00 [25.4]	3.50 [88.9]
D07SPRVS16	0.38 [9.5]	5.63 [142.9]	2.19 [55.6]	1.81 [46.0]	4.13 [104.8]	1.75 [44.5]	1.13 [28.6]	3.50 [88.9]

Dimension	Q	R	S	T	U	V	W
D07SPRVC12	1.13 [28.6]	2.75 [69.9]	2.81 [71.4]	1.75 [44.5]	2.22 [56.4]	2.81 [71.4]	2.25 [57.2]
D07SPRVS12	1.13 [28.6]	2.75 [69.9]	2.81 [71.4]	1.25 [31.8]	2.31 [58.7]	2.81 [71.4]	2.00 [50.8]
D07SPRVC16	1.13 [28.6]	3.69 [93.7]	4.50 [114.3]	1.50 [38.1]	3.00 [76.2]	3.25 [82.6]	3.38 [85.7]
D07SPRVS16	1.13 [28.6]	3.69 [93.7]	4.50 [114.3]	1.63 [41.3]	3.00 [76.2]	3.25 [82.6]	3.38 [85.7]

Specifications, descriptions, and dimensional data are subject to correction or change without notice or incurring obligation. Download latest catalog page revisions at www.daman.com.

Ordering Information

Material	Valve Pattern	Product Type	Circuit	Relief Cavity	Port Threads																																																							
<table border="1"> <thead> <tr> <th colspan="2">Material</th> </tr> </thead> <tbody> <tr> <td>A</td> <td>Aluminum - 6061-T6 3000† psi • 20.7 MPa</td> </tr> <tr> <td>D</td> <td>Ductile Iron - D4512 5000† psi • 34.5 MPa</td> </tr> </tbody> </table> <p>† Working pressure should be considered in accordance with ISO 4413 to determine appropriate material type.</p>	Material		A	Aluminum - 6061-T6 3000† psi • 20.7 MPa	D	Ductile Iron - D4512 5000† psi • 34.5 MPa	<table border="1"> <thead> <tr> <th colspan="2">Valve Pattern</th> </tr> </thead> <tbody> <tr> <td>D07</td> <td>ISO 4401-07-06 NFPA T3.5.1-D07 See Tech Information</td> </tr> </tbody> </table>	Valve Pattern		D07	ISO 4401-07-06 NFPA T3.5.1-D07 See Tech Information	<table border="1"> <thead> <tr> <th colspan="2">Product Type</th> </tr> </thead> <tbody> <tr> <td>SP</td> <td>Subplate</td> </tr> </tbody> </table>	Product Type		SP	Subplate	<table border="1"> <thead> <tr> <th colspan="2">Circuit</th> </tr> </thead> <tbody> <tr> <td>RV</td> <td>Main Relief P to T</td> </tr> </tbody> </table>	Circuit		RV	Main Relief P to T	<table border="1"> <thead> <tr> <th colspan="3">Relief Cavity</th> </tr> </thead> <tbody> <tr> <td>C</td> <td>Common cavity C-10-2 w/ 12* ports (P in nose) C-10-2 for valves w/1" hex max. C-16-2 w/ 16* ports (P in nose)</td> </tr> <tr> <td>S</td> <td>Sun Cavity T-3A w/ 12* ports (P in nose) T-16A w/ 16* ports (P in nose) See Tech Info for valves</td> </tr> </tbody> </table>	Relief Cavity			C	Common cavity C-10-2 w/ 12* ports (P in nose) C-10-2 for valves w/1" hex max. C-16-2 w/ 16* ports (P in nose)	S	Sun Cavity T-3A w/ 12* ports (P in nose) T-16A w/ 16* ports (P in nose) See Tech Info for valves	<p>For coating options see pages 245-246.</p> <table border="1"> <thead> <tr> <th colspan="4">P, T, A, B Port Threads</th> <th>X & Y port size (reference)</th> </tr> </thead> <tbody> <tr> <td>12P</td> <td>0.75-14 NPTF ANSI B1.20.3</td> <td>16P</td> <td>1.00-11.5 NPTF ANSI B1.20.3</td> <td>0.25-18 NPTF ANSI B1.20.3</td> </tr> <tr> <td>12S</td> <td>-12 SAE ISO 11926; SAE 1926</td> <td>16S</td> <td>-16 SAE ISO 11926; SAE 1926</td> <td>-6 SAE ISO 11926; SAE 1926</td> </tr> <tr> <td>12B</td> <td>0.75-14 BSPP ISO 1179; BS 2779</td> <td>16B</td> <td>1.00-11 BSPP ISO 1179; BS 2779</td> <td>0.25-19 BSPP ISO 1179; BS 2779</td> </tr> <tr> <td>12M</td> <td>M27 x 2.0 ISO 6149</td> <td>16M</td> <td>M33 x 2.0 ISO 6149</td> <td>M14 x 1.5 ISO 6149</td> </tr> <tr> <td>12T</td> <td>0.75-14 BSPT ISO 7; BS 21</td> <td>16T</td> <td>1.00-11 BSPT ISO 7; BS 21</td> <td>0.25-19 BSPT ISO 7; BS 21</td> </tr> </tbody> </table>	P, T, A, B Port Threads				X & Y port size (reference)	12P	0.75-14 NPTF ANSI B1.20.3	16P	1.00-11.5 NPTF ANSI B1.20.3	0.25-18 NPTF ANSI B1.20.3	12S	-12 SAE ISO 11926; SAE 1926	16S	-16 SAE ISO 11926; SAE 1926	-6 SAE ISO 11926; SAE 1926	12B	0.75-14 BSPP ISO 1179; BS 2779	16B	1.00-11 BSPP ISO 1179; BS 2779	0.25-19 BSPP ISO 1179; BS 2779	12M	M27 x 2.0 ISO 6149	16M	M33 x 2.0 ISO 6149	M14 x 1.5 ISO 6149	12T	0.75-14 BSPT ISO 7; BS 21	16T	1.00-11 BSPT ISO 7; BS 21	0.25-19 BSPT ISO 7; BS 21
Material																																																												
A	Aluminum - 6061-T6 3000† psi • 20.7 MPa																																																											
D	Ductile Iron - D4512 5000† psi • 34.5 MPa																																																											
Valve Pattern																																																												
D07	ISO 4401-07-06 NFPA T3.5.1-D07 See Tech Information																																																											
Product Type																																																												
SP	Subplate																																																											
Circuit																																																												
RV	Main Relief P to T																																																											
Relief Cavity																																																												
C	Common cavity C-10-2 w/ 12* ports (P in nose) C-10-2 for valves w/1" hex max. C-16-2 w/ 16* ports (P in nose)																																																											
S	Sun Cavity T-3A w/ 12* ports (P in nose) T-16A w/ 16* ports (P in nose) See Tech Info for valves																																																											
P, T, A, B Port Threads				X & Y port size (reference)																																																								
12P	0.75-14 NPTF ANSI B1.20.3	16P	1.00-11.5 NPTF ANSI B1.20.3	0.25-18 NPTF ANSI B1.20.3																																																								
12S	-12 SAE ISO 11926; SAE 1926	16S	-16 SAE ISO 11926; SAE 1926	-6 SAE ISO 11926; SAE 1926																																																								
12B	0.75-14 BSPP ISO 1179; BS 2779	16B	1.00-11 BSPP ISO 1179; BS 2779	0.25-19 BSPP ISO 1179; BS 2779																																																								
12M	M27 x 2.0 ISO 6149	16M	M33 x 2.0 ISO 6149	M14 x 1.5 ISO 6149																																																								
12T	0.75-14 BSPT ISO 7; BS 21	16T	1.00-11 BSPT ISO 7; BS 21	0.25-19 BSPT ISO 7; BS 21																																																								

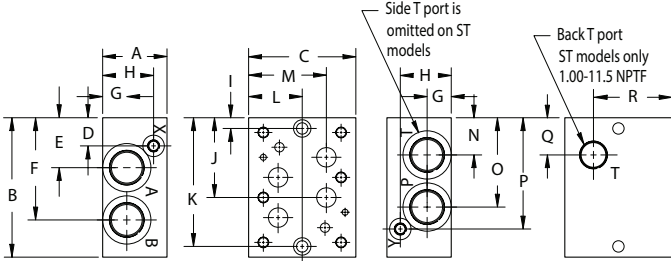
Standard Manifolds
Cover Plates
Valve Adaptors
Subplates
Servo Valve Subplates
Tapping Plates
Cartridge Valve Cartridge Bodies
Header and Junction Blocks
Sandwich Modules
Technical Information

D08 Subplates

Side Ported Subplate

Valve mtg: UNC 0.50-13 x 1.19 DP or Metric M12-1.75mm ISO 6H x [30.2] DP

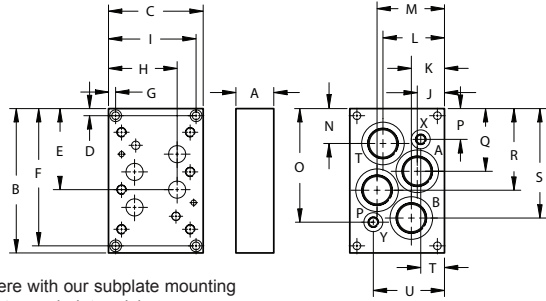
Subplate hardware kit is supplied. See page 135 for itemized list.



Back Ported Subplate

Valve mtg: UNC 0.50-13 x 1.19 DP or Metric M12-1.75mm ISO 6H x [30.2] DP

Subplate hardware kit is supplied. See page 135 for itemized list.



Note: Certain proportional valves may have ports that interfere with our subplate mounting holes. Consult our technical sales team for information or custom subplate pricing.

Dimension	A	B	C	D	E	F	G	H	I	J	K	L	M	N	O	P	Q	R	S	T	U
*D08SPSO12P, *D08SPSO16*	2.00 [50.8]	6.13 [155.7]	4.50 [114.3]	1.19 [30.2]	2.53 [64.3]	4.53 [115.1]	1.00 [25.4]	1.00 [25.4]	0.50 [12.7]	3.53 [89.7]	5.62 [142.7]	2.25 [57.2]	3.38 [85.9]	1.56 [39.7]	3.59 [91.2]	4.94 [125.5]	--	--	--	--	--
*D08SPST12P, *D08SPST16*	2.00 [50.8]	6.13 [155.7]	4.50 [114.3]	1.19 [30.2]	2.53 [64.3]	4.53 [115.1]	1.00 [25.4]	1.00 [25.4]	0.50 [12.7]	3.53 [89.7]	5.62 [142.7]	2.25 [57.2]	3.38 [85.9]	--	3.59 [91.2]	4.94 [125.5]	1.66 [42.1]	3.38 [85.9]	--	--	--
D08SPSO20	3.00 [76.2]	6.50 [165.1]	5.00 [127.0]	1.31 [33.3]	2.33 [59.2]	4.77 [121.2]	1.13 [28.6]	1.13 [28.6]	0.50 [12.7]	3.72 [94.5]	6.00 [152.4]	2.50 [63.5]	3.63 [92.2]	1.73 [43.9]	4.17 [105.9]	5.19 [131.8]	--	--	--	--	--
*D08SPSO20M	4.00 [101.6]	6.50 [165.1]	5.00 [127.0]	1.38 [34.9]	2.33 [59.2]	4.77 [121.2]	1.63 [41.3]	3.13 [79.4]	0.50 [12.7]	3.72 [94.5]	6.00 [152.4]	2.50 [63.5]	3.63 [92.2]	1.73 [43.9]	4.17 [105.9]	5.13 [130.2]	--	--	--	--	--
*D08SPB16B	1.50 [38.1]	6.13 [155.7]	4.63 [117.6]	0.50 [12.7]	3.53 [89.7]	5.62 [142.7]	2.31 [58.7]	3.44 [87.4]	--	1.19 [30.2]	1.19 [30.2]	3.44 [87.4]	3.44 [87.4]	1.53 [38.9]	5.16 [131.0]	0.97 [24.6]	2.47 [62.7]	3.66 [92.9]	4.59 [116.7]	1.25 [31.8]	3.38 [85.9]
*D08SPB12P, *D08SPB16[M,P,S,T]	1.50 [38.1]	6.13 [155.7]	4.63 [117.6]	0.50 [12.7]	3.53 [89.7]	5.62 [142.7]	2.31 [58.7]	3.44 [87.4]	--	1.19 [30.2]	1.19 [30.2]	3.44 [87.4]	3.44 [87.4]	1.66 [42.2]	4.94 [125.5]	1.19 [30.2]	2.59 [65.8]	3.53 [89.7]	4.47 [113.5]	1.25 [31.8]	3.38 [85.9]
D08SPB20	2.00 [50.8]	7.63 [193.8]	5.00 [127.0]	0.38 [9.7]	4.28 [108.7]	7.25 [184.2]	0.38 [9.7]	3.63 [92.2]	4.63 [117.6]	1.44 [36.6]	1.75 [44.5]	3.25 [82.6]	3.56 [90.4]	1.84 [46.7]	6.00 [152.4]	1.63 [41.3]	3.31 [84.1]	4.31 [109.5]	5.78 [146.8]	1.44 [36.6]	3.56 [90.4]

Specifications, descriptions, and dimensional data are subject to correction or change without notice or incurring obligation. Download latest catalog page revisions at www.daman.com.

Ordering Information

Material	Valve Pattern	Product Type	Port Location	Port Threads
----------	---------------	--------------	---------------	--------------

For **coating options** see pages 245-246.

Material	
A	Aluminum - 6061-T6 3000 [†] psi • 20.7 MPa
D	Ductile Iron - D4512 5000 [†] psi • 34.5 MPa

[†] Working pressure should be considered in accordance with ISO 4413 to determine appropriate material type.

Product Type	
SP	Subplate

Valve Pattern	
D08	ISO 4401-08-07 NFPA T3.5.1-D08 See Tech Information

Port Location	
SO	Side ported
ST	Side P,A,B ports; back T port. Available on 12P, 16P and 16S only
B	Back ported

P, T, A, B Port Threads*				X & Y port size (reference)
12P	0.75-14 NPTF ANSI B1.20.3			0.25-18 NPTF ANSI B1.20.3
16P	1.00-11.5 NPTF ANSI B1.20.3	20P	1.25-11.5 NPTF ANSI B1.20.3	0.25-18 NPTF ANSI B1.20.3
16S	-16 SAE ISO 11926; SAE 1926	20S	-20 SAE ISO 11926; SAE 1926	-6 SAE ISO 11926; SAE 1926
16B	1.00-11 BSPP ISO 1179; BS 2779	20B	1.25-11 BSPP ISO 1179; BS 2779	0.25-19 BSPP ISO 1179; BS 2779
16M	M33 x 2.0 ISO 6149	20M	M42 x 2.0 ISO 6149	M14 x 1.5 ISO 6149
16T	1.00-11 BSPT ISO 7; BS 21	20T	1.25-11 BSPT ISO 7; BS 21	0.25-19 BSPT ISO 7; BS 21

* T port is always 1.00-11.5 NPTF on ST models.

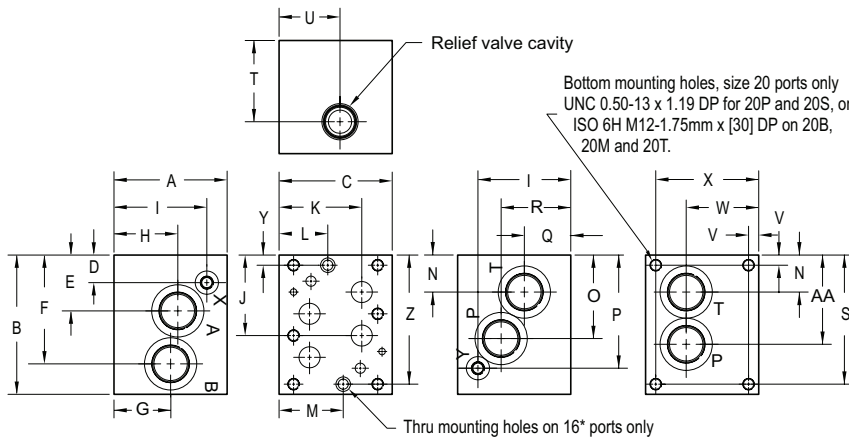
D08 Subplates with Relief Valve

Dual Ported Subplate with Main Relief Cavity

Valve mtg: UNC 0.50-13 x 1.19 DP or
Metric M12-1.75mm ISO 6H x [30.2] DP

Subplate hardware kit is supplied.

See page 135 for itemized list.



Note: Certain proportional valves may have ports that interfere with our subplate mounting holes. Consult our technical sales team for information or custom subplate pricing.

Dimension	A	B	C	D	E	F	G
D08SPRVC16	3.00 [76.2]	6.00 [152.4]	4.50 [114.3]	0.91 [23.1]	2.41 [61.2]	4.53 [115.1]	1.87 [47.5]
D08SPRVS16	3.00 [76.2]	6.00 [152.4]	4.50 [114.3]	0.91 [23.1]	2.41 [61.2]	4.53 [115.1]	1.87 [47.5]
*D08SPRV*20*	4.88 [124.0]	6.00 [152.4]	4.88 [124.0]	1.19 [30.2]	2.41 [61.2]	4.69 [119.1]	2.75 [69.9]
*D08SPRV*20M	4.88 [124.0]	6.00 [152.4]	4.88 [124.0]	1.19 [30.2]	2.41 [61.2]	4.69 [119.1]	2.00 [50.8]

Dimension	H	I	J	K	L	M	N
D08SPRVC16	1.87 [47.5]	1.25 [31.8]	3.47 [88.1]	3.38 [85.9]	1.68 [42.7]	2.56 [65.0]	1.47 [37.3]
D08SPRVS16	1.87 [47.5]	1.25 [31.8]	3.47 [88.1]	3.38 [85.9]	1.68 [42.7]	2.56 [65.0]	1.47 [37.3]
*D08SPRV*20*	2.75 [69.9]	4.00 [101.6]	3.47 [88.1]	3.56 [90.4]	--	--	1.59 [40.4]
*D08SPRV*20M	2.75 [69.9]	4.00 [101.6]	3.47 [88.1]	3.56 [90.4]	--	--	1.59 [40.4]

Dimension	O	P	Q	R	S	T	U
D08SPRVC16	3.59 [91.2]	5.09 [129.3]	1.87 [47.5]	1.87 [47.5]	--	1.25 [31.8]	2.47 [62.7]
D08SPRVS16	3.59 [91.2]	5.09 [129.3]	1.87 [47.5]	1.87 [47.5]	--	1.87 [47.5]	2.81 [71.4]
*D08SPRV*20*	3.60 [91.4]	4.88 [124.0]	2.00 [50.8]	3.00 [76.2]	5.56 [141.2]	3.50 [88.9]	2.63 [66.7]
*D08SPRV*20M	4.00 [101.6]	4.88 [124.0]	2.00 [50.8]	2.38 [60.3]	5.56 [141.2]	3.50 [88.9]	2.63 [66.7]

Dimension	V	W	X	Y	Z	AA
D08SPRVC16	--	3.50 [88.9]	--	0.44 [11.2]	5.56 [141.2]	3.59 [91.2]
D08SPRVS16	--	3.50 [88.9]	--	0.44 [11.2]	5.56 [141.2]	3.59 [91.2]
*D08SPRV*20*	0.44 [11.2]	3.13 [79.5]	4.44 [112.8]	--	--	3.84 [97.6]
*D08SPRV*20M	0.44 [11.2]	3.13 [79.5]	4.44 [112.8]	--	--	4.00 [101.6]

Specifications, descriptions, and dimensional data are subject to correction or change without notice or incurring obligation. Download latest catalog page revisions at www.daman.com.

Ordering Information

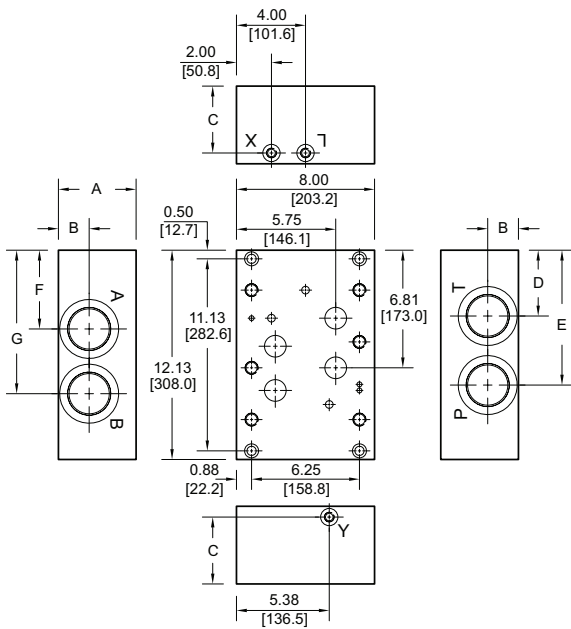
Material	Valve Pattern	Product Type	Circuit	Relief Cavity	Port Threads																																																											
<table border="1"> <thead> <tr> <th colspan="2">Material</th> </tr> </thead> <tbody> <tr> <td>A</td> <td>Aluminum - 6061-T6 3000† psi • 20.7 MPa</td> </tr> <tr> <td>D</td> <td>Ductile Iron - D4512 5000† psi • 34.5 MPa</td> </tr> </tbody> </table> <p>† Working pressure should be considered in accordance with ISO 4413 to determine appropriate material type.</p>	Material		A	Aluminum - 6061-T6 3000† psi • 20.7 MPa	D	Ductile Iron - D4512 5000† psi • 34.5 MPa	<table border="1"> <thead> <tr> <th colspan="2">Valve Pattern</th> </tr> </thead> <tbody> <tr> <td>D08</td> <td>ISO 4401-08-07 NFPA T3.5.1-D08 See Technical Info</td> </tr> </tbody> </table>	Valve Pattern		D08	ISO 4401-08-07 NFPA T3.5.1-D08 See Technical Info	<table border="1"> <thead> <tr> <th colspan="2">Product Type</th> </tr> </thead> <tbody> <tr> <td>SP</td> <td>Subplate</td> </tr> </tbody> </table>	Product Type		SP	Subplate	<table border="1"> <thead> <tr> <th colspan="2">Circuit</th> </tr> </thead> <tbody> <tr> <td>RV</td> <td>Main Relief P to T</td> </tr> </tbody> </table>	Circuit		RV	Main Relief P to T	<table border="1"> <thead> <tr> <th colspan="2">Relief Cavity</th> </tr> </thead> <tbody> <tr> <td>C</td> <td>Common cavity C-10-2 w/ 16* ports (P in nose) C-10-2 for valves w/1" hex max. C-16-2 w/ 20* ports (P in nose)</td> </tr> <tr> <td>S</td> <td>Sun Cavity T-3A w/ 16* ports (P in nose) T-16A w/ 20* ports (P in nose) See Tech Info for valves</td> </tr> </tbody> </table>	Relief Cavity		C	Common cavity C-10-2 w/ 16* ports (P in nose) C-10-2 for valves w/1" hex max. C-16-2 w/ 20* ports (P in nose)	S	Sun Cavity T-3A w/ 16* ports (P in nose) T-16A w/ 20* ports (P in nose) See Tech Info for valves	<table border="1"> <thead> <tr> <th colspan="3">P, T, A, B Port Threads</th> <th colspan="2">X & Y port size (reference)</th> </tr> </thead> <tbody> <tr> <td>16P</td> <td>1.00-11.5 NPTF ANSI B1.20.3</td> <td>20P</td> <td>1.25-11.5 NPTF ANSI B1.20.3</td> <td colspan="2">0.25-18 NPTF ANSI B1.20.3</td> </tr> <tr> <td>16S</td> <td>-16 SAE ISO 11926; SAE 1926</td> <td>20S</td> <td>-20 SAE ISO 11926; SAE 1926</td> <td colspan="2">-6 SAE ISO 11926; SAE 1926</td> </tr> <tr> <td>16B</td> <td>1.00-11 BSPP ISO 1179; BS 2779</td> <td>20B</td> <td>1.25-11 BSPP ISO 1179; BS 2779</td> <td colspan="2">0.25-19 BSPP ISO 1179; BS 2779</td> </tr> <tr> <td>16M</td> <td>M33 x 2.0 ISO 6149</td> <td>20M</td> <td>M42 x 2.0 ISO 6149</td> <td colspan="2">M14 x 1.5 ISO 6149</td> </tr> <tr> <td>16T</td> <td>1.00-11 BSPT ISO 7; BS 21</td> <td>20T</td> <td>1.25-11 BSPT ISO 7; BS 21</td> <td colspan="2">0.25-19 BSPT ISO 7; BS 21</td> </tr> </tbody> </table>	P, T, A, B Port Threads			X & Y port size (reference)		16P	1.00-11.5 NPTF ANSI B1.20.3	20P	1.25-11.5 NPTF ANSI B1.20.3	0.25-18 NPTF ANSI B1.20.3		16S	-16 SAE ISO 11926; SAE 1926	20S	-20 SAE ISO 11926; SAE 1926	-6 SAE ISO 11926; SAE 1926		16B	1.00-11 BSPP ISO 1179; BS 2779	20B	1.25-11 BSPP ISO 1179; BS 2779	0.25-19 BSPP ISO 1179; BS 2779		16M	M33 x 2.0 ISO 6149	20M	M42 x 2.0 ISO 6149	M14 x 1.5 ISO 6149		16T	1.00-11 BSPT ISO 7; BS 21	20T	1.25-11 BSPT ISO 7; BS 21	0.25-19 BSPT ISO 7; BS 21	
Material																																																																
A	Aluminum - 6061-T6 3000† psi • 20.7 MPa																																																															
D	Ductile Iron - D4512 5000† psi • 34.5 MPa																																																															
Valve Pattern																																																																
D08	ISO 4401-08-07 NFPA T3.5.1-D08 See Technical Info																																																															
Product Type																																																																
SP	Subplate																																																															
Circuit																																																																
RV	Main Relief P to T																																																															
Relief Cavity																																																																
C	Common cavity C-10-2 w/ 16* ports (P in nose) C-10-2 for valves w/1" hex max. C-16-2 w/ 20* ports (P in nose)																																																															
S	Sun Cavity T-3A w/ 16* ports (P in nose) T-16A w/ 20* ports (P in nose) See Tech Info for valves																																																															
P, T, A, B Port Threads			X & Y port size (reference)																																																													
16P	1.00-11.5 NPTF ANSI B1.20.3	20P	1.25-11.5 NPTF ANSI B1.20.3	0.25-18 NPTF ANSI B1.20.3																																																												
16S	-16 SAE ISO 11926; SAE 1926	20S	-20 SAE ISO 11926; SAE 1926	-6 SAE ISO 11926; SAE 1926																																																												
16B	1.00-11 BSPP ISO 1179; BS 2779	20B	1.25-11 BSPP ISO 1179; BS 2779	0.25-19 BSPP ISO 1179; BS 2779																																																												
16M	M33 x 2.0 ISO 6149	20M	M42 x 2.0 ISO 6149	M14 x 1.5 ISO 6149																																																												
16T	1.00-11 BSPT ISO 7; BS 21	20T	1.25-11 BSPT ISO 7; BS 21	0.25-19 BSPT ISO 7; BS 21																																																												

For **coating options** see pages 245-246.

D10 Subplates

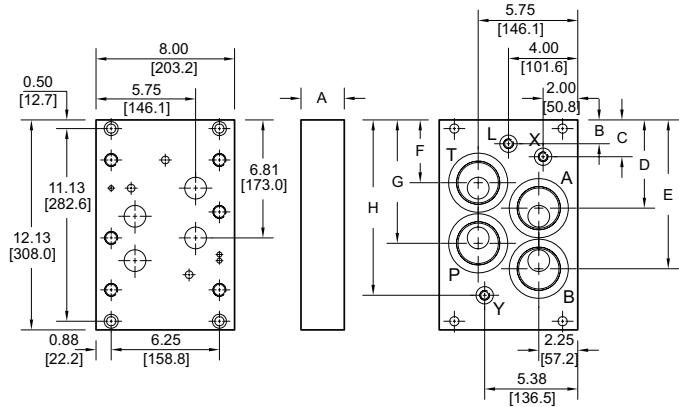
Side Ported Subplate

Valve mtg: UNC 0.75-10 x 1.63 [41.3] DP
 Subplate hardware kit is supplied.
 See page 136 for itemized list.



Back Ported Subplate

Valve mtg: UNC 0.75-10 x 1.63 [41.3] DP
 Subplate hardware kit is supplied.
 See page 136 for itemized list.



Dimension	A	B	C	D	E	F	G	H
*D10SPSO20P	3.50 [88.9]	1.75 [44.5]	2.88 [73.0]	3.81 [96.8]	7.13 [181.0]	5.22 [132.6]	8.31 [211.2]	--
D10SPSO24	4.00 [101.6]	1.75 [44.5]	3.38 [85.7]	3.81 [96.8]	7.13 [181.0]	5.22 [132.6]	8.31 [211.2]	--
D10SPSO32	4.50 [114.3]	1.78 [45.2]	3.88 [98.4]	3.81 [96.8]	7.81 [198.4]	4.56 [115.9]	8.31 [211.2]	--
*D10SPB20P	2.00 [50.8]	2.31 [58.7]	3.94 [100.0]	5.81 [147.6]	8.61 [218.7]	3.94 [100.0]	6.81 [173.0]	8.94 [227.0]
D10SPB24	2.50 [63.5]	1.38 [34.9]	2.13 [54.0]	5.09 [129.4]	8.59 [218.3]	3.63 [92.1]	7.13 [181.0]	10.13 [257.2]

Specifications, descriptions, and dimensional data are subject to correction or change without notice or incurring obligation.
 Download latest catalog page revisions at www.daman.com.

Ordering Information

Material	Valve Pattern	Product Type	Port Location	Port Threads
----------	---------------	--------------	---------------	--------------

For **coating options**
 see pages 245-246.

Material	
A	Aluminum - 6061-T6 3000 [†] psi • 20.7 MPa
D	Ductile Iron - D4512 5000 [†] psi • 34.5 MPa

[†] Working pressure should be considered in accordance with ISO 4413 to determine appropriate material type.

Product Type	
SP	Subplate

P, T, A, B Port Threads				X, Y, & L port size (reference)
20P	1.25-11.5 NPTF ANSI B1.20.3			0.38-18 NPTF ANSI B1.20.3
24P	1.50-11.5 NPTF ANSI B1.20.3	32P	2.00-11.5 NPTF ANSI B1.20.3	0.38-18 NPTF ANSI B1.20.3
24S	-24 SAE ISO 11926; SAE 1926	32S	-32 SAE ISO 11926; SAE 1926	-6 SAE ISO 11926; SAE 1926

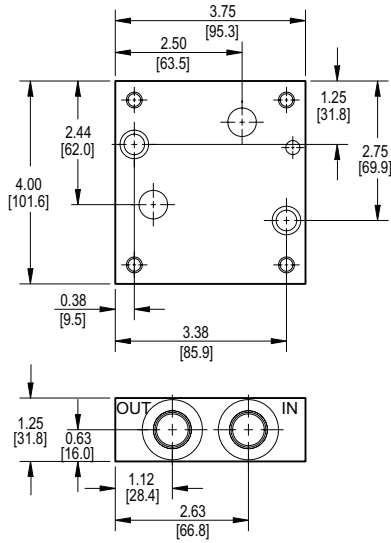
Valve Pattern	
D10	ISO 4401-10-08 NFPA T3.5.1-D10 See Tech Information

Port Location	
SO	Side ported
B	Back ported

2F06, 2F07 Flow Control Subplates

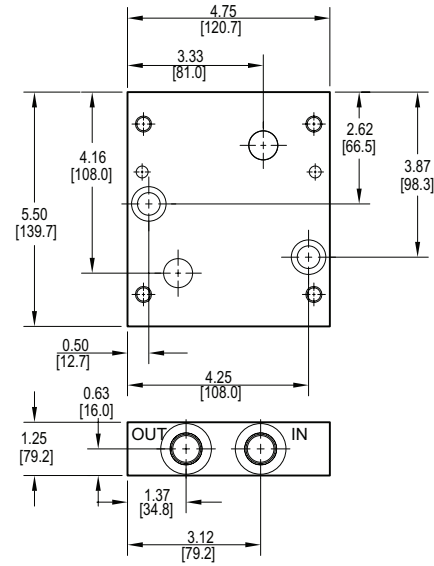
2F06 Side Ported Subplate

Valve mtg: UNC 0.31-18 x 0.88 DP
 Subplate hardware kit is supplied.
 See page 136 for itemized list.



2F07 Side Ported Subplate

Valve mtg: UNC 0.38-16 x 1.00 DP
 Subplate hardware kit is supplied.
 See page 136 for itemized list.



Specifications, descriptions, and dimensional data are subject to correction or change without notice or incurring obligation. Download latest catalog page revisions at www.daman.com.

Ordering Information

Material	Valve Pattern	Product Type	Port Location	Port Threads
----------	---------------	--------------	---------------	--------------

For coating options see pages 245-246.

Material	
A	Aluminum - 6061-T6 3000 [†] psi • 20.7 MPa
D	Ductile Iron - D4512 5000 [†] psi • 34.5 MPa

[†] Working pressure should be considered in accordance with ISO 4413 to determine appropriate material type.

Product Type	
SP	Subplate

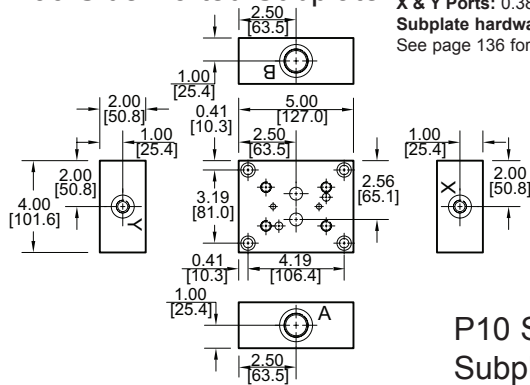
Port Threads	
2F06 only	
6P	0.38-18 NPTF ANSI B1.20.3
2F06 or 2F07	
8P	0.50-14 NPTF ANSI B1.20.3
8S	-8 SAE ISO 11926; SAE 1926

Valve Pattern	
2F06	ISO 6263-06-05 NFPA T3.5.1-2F06 See Tech Information
2F07	ISO 6263-07-09 NFPA T3.5.1-2F07 See Tech Information

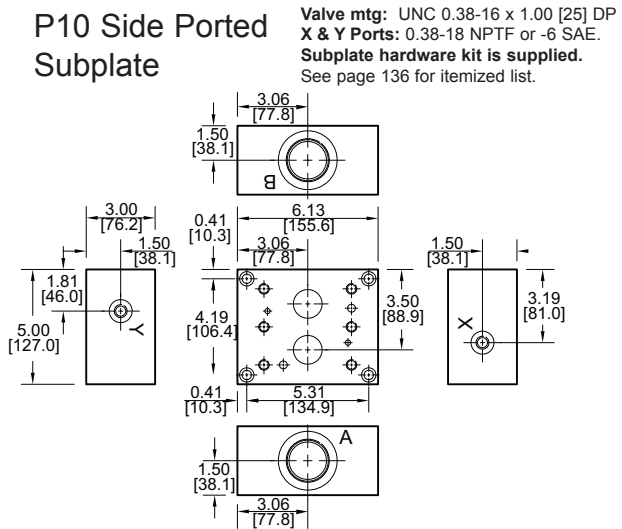
Port Location	
S	Side ported

P06, P08, P10 Pressure Control Subplates

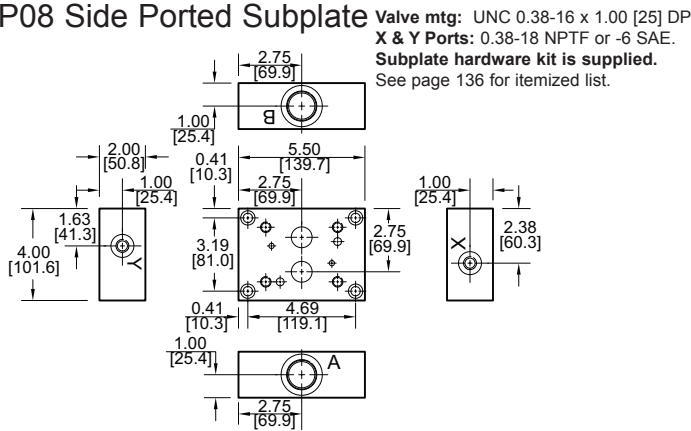
P06 Side Ported Subplate



P10 Side Ported Subplate



P08 Side Ported Subplate



Specifications, descriptions, and dimensional data are subject to correction or change without notice or incurring obligation. Download latest catalog page revisions at www.daman.com.

Ordering Information

Material	Valve Pattern	Product Type	Port Location	Port Threads
----------	---------------	--------------	---------------	--------------

For **coating options** see pages 245-246.

Material	
A	Aluminum - 6061-T6 3000† psi • 20.7 MPa
D	Ductile Iron - D4512 5000† psi • 34.5 MPa

† Working pressure should be considered in accordance with ISO 4413 to determine appropriate material type.

Valve Pattern	
P06	ISO 6264-06-07 ISO 5781-06-07 NFPA T3.5.1-[R]P06 See Tech Information
P08	ISO 6264-08-11 ISO 5781-08-10 NFPA T3.5.1-[R]P08 See Tech Information
P10	ISO 6264-10-15 ISO 5781-10-13 NFPA T3.5.1-[R]P10 See Tech Information

Port Location	
S	Side ported

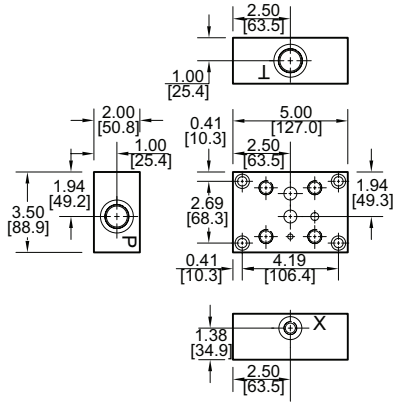
Product Type	
SP	Subplate

Port Threads			
P06 only			
08P	0.50-14 NPTF ANSI B1.20.3	08S	-8 SAE ISO 11926; SAE 1926
P06 or P08			
12P	0.75-14 NPTF ANSI B1.20.3	12S	-12 SAE ISO 11926; SAE 1926
P08 only			
16P	1.00-11.5 NPTF ANSI B1.20.3	16S	-16 SAE ISO 11926; SAE 1926
P10 only			
20P	1.25-11.5 NPTF ANSI B1.20.3	20S	-20 SAE ISO 11926; SAE 1926
24P	1.50-11.5 NPTF ANSI B1.20.3	24S	-24 SAE ISO 11926; SAE 1926

R06, R08, I08, R10, I10 Relief Valve Subplates

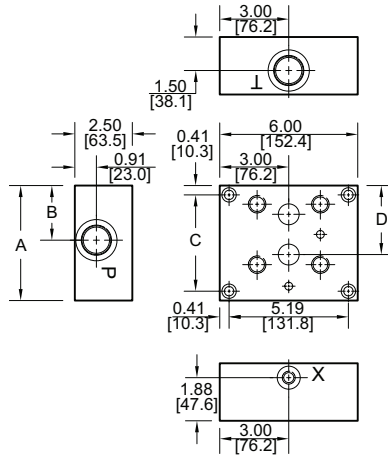
R06 (I06) Side Ported Subplate

Valve mtg: UNC 0.50-13 x 1.00 [25] DP
X Port: 0.38-18 NPTF or -6 SAE.
Subplate hardware kit is supplied.
 See page 136 for itemized list.



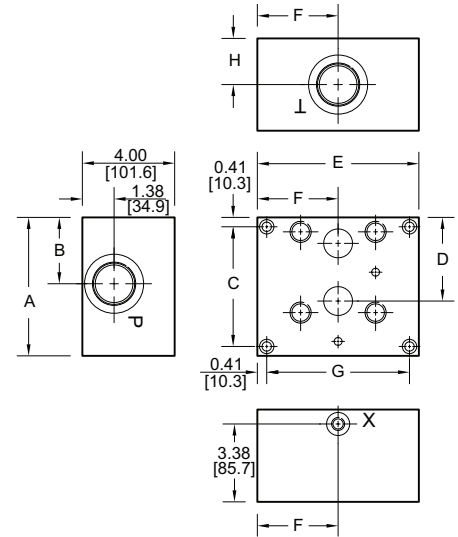
R08, I08 Side Ported Subplate

Valve mtg: UNC 0.63-11 x 1.44 [36] DP
X Port: 0.38-18 NPTF or -6 SAE.
Subplate hardware kit is supplied.
 See page 136 for itemized list.



R10, I10 Side Ported Subplate

Valve mtg: UNC 0.75-10 x 1.63 [41] DP
X Port: 0.38-18 NPTF or -6 SAE.
Subplate hardware kit is supplied.
 See page 136 for itemized list.



Dimension	A	B	C	D	E	F	G	H
R08SPS12	5.00 [127.0]	** See Note	4.19 [106.4]	3.00 [76.2]	--	--	--	--
R08SPS16	4.50 [114.3]	2.44 [61.9]	3.69 [93.7]	2.75 [69.9]	--	--	--	--
I08SPS12	4.50 [114.3]	2.44 [61.9]	3.69 [93.7]	2.75 [69.9]	--	--	--	--
I08SPS16	4.50 [114.3]	2.44 [61.9]	3.69 [93.7]	2.75 [69.9]	--	--	--	--
R10SPS20	6.00 [152.4]	2.88 [73.0]	5.19 [131.8]	3.63 [92.1]	7.00 [177.8]	3.50 [88.9]	6.19 [157.2]	2.00 [50.8]
R10SPS24	6.00 [152.4]	2.88 [73.0]	5.19 [131.8]	3.63 [92.1]	7.00 [177.8]	3.50 [88.9]	6.19 [157.2]	2.00 [50.8]
I10SPS20	5.00 [127.0]	2.38 [60.3]	4.19 [106.4]	3.06 [77.8]	7.38 [187.3]	3.69 [93.7]	6.56 [166.7]	2.63 [66.7]
I10SPS24	5.00 [127.0]	2.38 [60.3]	4.19 [106.4]	3.06 [77.8]	7.38 [187.3]	3.69 [93.7]	6.56 [166.7]	2.63 [66.7]

** Dimension "B" for *R08SPS12* is 2.50 [63.5].
 Dimension "B" for *R08SPS16* is 2.38 [60.3].

Specifications, descriptions, and dimensional data are subject to correction or change without notice or incurring obligation. Download latest catalog page revisions at www.daman.com.

Ordering Information

Material	Valve Pattern	Product Type	Port Location	Port Threads																																																																				
<table border="1"> <thead> <tr> <th colspan="2">Material</th> </tr> </thead> <tbody> <tr> <td>A</td> <td>Aluminum - 6061-T6 3000[†] psi • 20.7 MPa</td> </tr> <tr> <td>D</td> <td>Ductile Iron - D4512 5000[†] psi • 34.5 MPa</td> </tr> <tr> <td colspan="2">† Working pressure should be considered in accordance with ISO 4413 to determine appropriate material type.</td> </tr> </tbody> </table>	Material		A	Aluminum - 6061-T6 3000 [†] psi • 20.7 MPa	D	Ductile Iron - D4512 5000 [†] psi • 34.5 MPa	† Working pressure should be considered in accordance with ISO 4413 to determine appropriate material type.		<table border="1"> <thead> <tr> <th colspan="2">Valve Pattern</th> </tr> </thead> <tbody> <tr> <td>R06</td> <td>ISO 6264-06-09 NFPA T3.5.1-R06 See Tech Information</td> </tr> <tr> <td>R08</td> <td>ISO 6264-08-13 NFPA T3.5.1-R08 See Tech Information</td> </tr> <tr> <td>I08</td> <td>NFPA T3.5.1-RV08 See Tech Information</td> </tr> <tr> <td>R10</td> <td>ISO 6264-10-17 NFPA T3.5.1-R10 See Tech Information</td> </tr> <tr> <td>I10</td> <td>NFPA T3.5.1-RV10 See Tech Information</td> </tr> </tbody> </table>	Valve Pattern		R06	ISO 6264-06-09 NFPA T3.5.1-R06 See Tech Information	R08	ISO 6264-08-13 NFPA T3.5.1-R08 See Tech Information	I08	NFPA T3.5.1-RV08 See Tech Information	R10	ISO 6264-10-17 NFPA T3.5.1-R10 See Tech Information	I10	NFPA T3.5.1-RV10 See Tech Information	<table border="1"> <thead> <tr> <th colspan="2">Product Type</th> </tr> </thead> <tbody> <tr> <td>SP</td> <td>Subplate</td> </tr> </tbody> </table>	Product Type		SP	Subplate	<table border="1"> <thead> <tr> <th colspan="2">Port Location</th> </tr> </thead> <tbody> <tr> <td>S</td> <td>Side ported</td> </tr> </tbody> </table>	Port Location		S	Side ported	<table border="1"> <thead> <tr> <th colspan="4">Port Threads</th> </tr> <tr> <th colspan="4">R06 only</th> </tr> </thead> <tbody> <tr> <td>08P</td> <td>0.50-14 NPTF ANSI B1.20.3</td> <td>08S</td> <td>-8 SAE ISO 11926; SAE 1926</td> </tr> <tr> <th colspan="4">R06, R08, or I08</th> </tr> <tr> <td>12P</td> <td>0.75-14 NPTF ANSI B1.20.3</td> <td>12S</td> <td>-12 SAE ISO 11926; SAE 1926</td> </tr> <tr> <th colspan="4">R08 or I08</th> </tr> <tr> <td>16P</td> <td>1.00-11.5 NPTF ANSI B1.20.3</td> <td>16S</td> <td>-16 SAE ISO 11926; SAE 1926</td> </tr> <tr> <th colspan="4">R10 or I10</th> </tr> <tr> <td>20P</td> <td>1.25-11.5 NPTF ANSI B1.20.3</td> <td>20S</td> <td>-20 SAE ISO 11926; SAE 1926</td> </tr> <tr> <td>24P</td> <td>1.50-11.5 NPTF ANSI B1.20.3</td> <td>24S</td> <td>-24 SAE ISO 11926; SAE 1926</td> </tr> </tbody> </table>	Port Threads				R06 only				08P	0.50-14 NPTF ANSI B1.20.3	08S	-8 SAE ISO 11926; SAE 1926	R06, R08, or I08				12P	0.75-14 NPTF ANSI B1.20.3	12S	-12 SAE ISO 11926; SAE 1926	R08 or I08				16P	1.00-11.5 NPTF ANSI B1.20.3	16S	-16 SAE ISO 11926; SAE 1926	R10 or I10				20P	1.25-11.5 NPTF ANSI B1.20.3	20S	-20 SAE ISO 11926; SAE 1926	24P	1.50-11.5 NPTF ANSI B1.20.3	24S	-24 SAE ISO 11926; SAE 1926
Material																																																																								
A	Aluminum - 6061-T6 3000 [†] psi • 20.7 MPa																																																																							
D	Ductile Iron - D4512 5000 [†] psi • 34.5 MPa																																																																							
† Working pressure should be considered in accordance with ISO 4413 to determine appropriate material type.																																																																								
Valve Pattern																																																																								
R06	ISO 6264-06-09 NFPA T3.5.1-R06 See Tech Information																																																																							
R08	ISO 6264-08-13 NFPA T3.5.1-R08 See Tech Information																																																																							
I08	NFPA T3.5.1-RV08 See Tech Information																																																																							
R10	ISO 6264-10-17 NFPA T3.5.1-R10 See Tech Information																																																																							
I10	NFPA T3.5.1-RV10 See Tech Information																																																																							
Product Type																																																																								
SP	Subplate																																																																							
Port Location																																																																								
S	Side ported																																																																							
Port Threads																																																																								
R06 only																																																																								
08P	0.50-14 NPTF ANSI B1.20.3	08S	-8 SAE ISO 11926; SAE 1926																																																																					
R06, R08, or I08																																																																								
12P	0.75-14 NPTF ANSI B1.20.3	12S	-12 SAE ISO 11926; SAE 1926																																																																					
R08 or I08																																																																								
16P	1.00-11.5 NPTF ANSI B1.20.3	16S	-16 SAE ISO 11926; SAE 1926																																																																					
R10 or I10																																																																								
20P	1.25-11.5 NPTF ANSI B1.20.3	20S	-20 SAE ISO 11926; SAE 1926																																																																					
24P	1.50-11.5 NPTF ANSI B1.20.3	24S	-24 SAE ISO 11926; SAE 1926																																																																					

For **coating options** see pages 245-246.

Subplate Mounting Hardware

Part no.	Cat. pg.	Mounting Screws	Plugs
* D02 SP * 4P, 4S	114	(2) UNC 0.25-20 x 0.88 long SHCS	n/a
* D02 SP * 4B, 4M, 4T	114	(2) ISO 6H M6-1.0 x 22mm SHCS	n/a
* D03 SP * 4P, 6P, 6S	115	(2) UNC 0.25-20 x 0.88 long SHCS	n/a
* D03 SP * 6B, 6M, 6T	115	(2) ISO 6H M6-1.0 x 22mm SHCS	n/a
* D03 SP * 8P, 8S	115	(2) UNC 0.25-20 x 1.50 long SHCS	n/a
* D03 SP * 8B, 8M, 8T	115	(2) ISO 6H M6-1.0 x 40mm SHCS	n/a
* D03 SP S 12P, 12S	115	(2) UNC 0.38-16 x 1.75 long SHCS	n/a
* D03 SP S 12B, 12M, 12T	115	(2) ISO 6H M10-1.5 x 45mm SHCS	n/a
* D03 SP B 12P, 12S	115	(2) UNC 0.38-16 x 1.50 long SHCS	n/a
* D03 SP B 12B, 12M, 12T	115	(2) ISO 6H M10-1.5 x 40mm SHCS	n/a
* D03 SP SB 6P	116	(2) UNC 0.25-20 x 1.50 long SHCS	(2) 0.38-18 NPTF LSPP
* D03 SP SB 6S	116		(2) -6 SAE hex socket plug
* D03 SP SB 6B, 6M, 6T	116	(2) ISO 6H M6-1.0 x 40mm SHCS	n/a
* D03 SP SB 8P	116	(2) UNC 0.25-20 x 2.00 long SHCS	(2) 0.50-14 NPTF LSPP
* D03 SP SB 8S	116		(2) -8 SAE hex socket plug
* D03 SP SB 8B, 8M, 8T	116	(2) ISO 6H M6-1.0 x 50mm SHCS	n/a
* D03 SP M 8*	116	(4) UNC 0.31-18 x 2.50 long SHCS	n/a
* D03 SP RV * 6P	117	(2) UNC 0.31-18 x 2.25 long SHCS	(2) 0.38-18 NPTF LSPP
* D03 SP RV * 6S	117		(2) -6 SAE hex socket plug
* D03 SP RV * 6B, 6M, 6T	117	(2) ISO 6H M8-1.25 x 60mm SHCS	n/a
* D03 SP RV * 8P	117	(2) UNC 0.38-16 x 3.00 long SHCS	(2) 0.50-14 NPTF LSPP
* D03 SP RV * 8S	117		(2) -8 SAE hex socket plug
* D03 SP RV * 8B, 8M, 8T	117	(2) ISO 6H M10-1.5 x 75mm SHCS	n/a
* D03 SP RV * 12P	117	(2) UNC 0.38-16 x 3.00 long SHCS	(2) 0.75-14 NPTF LSPP
* D03 SP RV * 12S	117		(2) -12 SAE hex socket plug
* D03 SP RV * 12B, 12M, 12T	117	(2) ISO 6H M10-1.5 x 75mm SHCS	n/a
* D03 SP CR * 6P, 6S	118	(2) UNC 0.31-18 x 2.50 long SHCS	n/a
* D03 SP CR * 6B, 6M, 6T	118	(2) ISO 6H M8-1.25 x 65mm SHCS	n/a
* D03 SP CR * 12P, 12S	118	(2) UNC 0.38-16 x 4.00 long SHCS	n/a
* D03 SP CR * 12B, 12M, 12T	118	(2) ISO 6H M10-1.5 x 100mm SHCS	n/a
* D05 SP S 6P, 8P, 8S	119	(2) UNC 0.38-16 x 1.25 long SHCS	n/a
* D05 SP S 8B, 8M, 8T	119	(2) ISO 6H M10-1.5 x 35mm SHCS	n/a
* D05 SP B 6P, 8P, 8S	119	(2) UNC 0.38-16 x 1.25 long SHCS	n/a
* D05 SP B 8B, 8M, 8T	119	(2) ISO 6H M10-1.5 x 35mm SHCS	n/a
* D05 SP SB 8P	120	(2) UNC 0.38-16 x 1.50 long SHCS	(2) 0.50-14 NPTF LSPP
* D05 SP SB 8S	120		(2) -8 SAE hex socket plug
* D05 SP SB 8B, 8M, 8T	120	(2) ISO 6H M10-1.5 x 40mm SHCS	n/a
* D05H(E) SP * 12P, 12S	121, 122	(2) UNC 0.38-16 x 1.75 long SHCS	n/a
* D05H(E) SP * 12B, 12M, 12T	121, 122	(2) ISO 6H M10-1.5 x 45mm SHCS	n/a
* D05J(E) SP S 16P, 16S	121, 122	(2) UNC 0.38-16 x 3.00 long SHCS	n/a
* D05J(E) SP S 16B, 16M, 16T	121, 122	(2) ISO 6H M10-1.5 x 75mm SHCS	n/a
* D05J(E) SP B 16P, 16S	121, 122	(2) UNC 0.38-16 x 3.25 long SHCS	n/a
* D05J(E) SP B 16B, 16M, 16T	121, 122	(2) ISO 6H M10-1.5 x 90mm SHCS	n/a
* D05 SP RV * 8P	123	(2) UNC 0.38-16 x 2.50 long SHCS	(2) 0.50-14 NPTF LSPP
* D05 SP RV * 8S	123		(2) -8 SAE hex socket plug
* D05 SP RV * 8B, 8M, 8T	123	(2) ISO 6H M10-1.5 x 65mm SHCS	n/a
* D05H SP RV * 12P	124		(2) 0.25-18 NPTF LSPP
* D05H SP RV * 12S	124	(2) UNC 0.38-16 x 3.00 long SHCS	(2) 0.75-14 NPTF LSPP
* D05H SP RV * 12B, 12M, 12T	124	(2) ISO 6H M10-1.5 x 75mm SHCS	(2) -4 SAE hex socket plug (2) -12 SAE hex socket plug

Subplate Mounting Hardware

Part no.	Cat. pg.	Mounting Screws	Plugs
* D05J SP RV * 16P	124		(2) 0.25-18 NPTF LSPP
* D05J SP RV * 16S	124	(2) UNC 0.38-16 x 4.00 long SHCS	(2) 1.00-11.5 NPTF LSPP
* D05J SP RV * 16B, 16M, 16T	124	(2) ISO 6H M10-1.5 x 100mm SHCS	(2) -4 SAE hex socket plug (2) -16 SAE hex socket plug
* D05 SP CR * 8P, 8S	123	(2) UNC 0.38-16 x 2.00 long SHCS	n/a
* D05 SP CR * 8B, 8M, 8T	123	(2) ISO 6H M10-1.5 x 50mm SHCS	n/a
* D05H SP CR * 12P	125	(2) UNC 0.38-16 x 4.50 long SHCS	(2) 0.25-18 NPTF LSPP
* D05H SP CR * 12S	125		(2) -4 SAE hex socket plug
* D05H SP CR * 12B, 12M, 12T	125	(2) ISO 6H M10-1.5 x 120mm SHCS	n/a
* D05J SP CR * 16P	125	(2) UNC 0.38-16 x 4.50 long SHCS	(2) 0.25-18 NPTF LSPP
* D05J SP CR * 16S	125		(2) -4 SAE hex socket plug
* D05J SP CR * 16B, 16M, 16T	125	(2) ISO 6H M10-1.5 x 120mm SHCS	n/a
* D07 SP S* 12P, 12S	126	(2) UNC 0.38-16 x 1.25 long SHCS	n/a
* D07 SP S* 12B, 12M, 12T	126	(2) ISO 6H M10-1.5 x 35mm SHCS	n/a
* D07 SP SO 16P, 16S	126	(2) UNC 0.38-16 x 3.00 long SHCS	n/a
* D07 SP SO 16B, 16M, 16T	126	(2) ISO 6H M10-1.5 x 75mm SHCS	n/a
* D07 SP B 12P, 12S	126	(2) UNC 0.38-16 x 1.50 long SHCS	n/a
* D07 SP B 12B, 12M, 12T	126	(2) ISO 6H M10-1.5 x 35mm SHCS	n/a
* D07 SP B 16P, 16S	126	(2) UNC 0.38-16 x 2.75 long SHCS	n/a
* D07 SP B 16B, 16M, 16T	126	(2) ISO 6H M10-1.5 x 70mm SHCS	n/a
* D07 SP RV C 12P	127	(2) UNC 0.38-16 x 2.75 long SHCS	(2) 0.75-14 NPTF LSPP
* D07 SP RV C 12S	127		(2) -12 SAE hex socket plug
* D07 SP RV C 12B, 12M, 12T	127	(2) ISO 6H M10-1.5 x 70mm SHCS	n/a
* D07 SP RV S 12P	127	(2) UNC 0.38-16 x 2.50 long SHCS	(2) 0.75-14 NPTF LSPP
* D07 SP RV S 12S	127		(2) -12 SAE hex socket plug
* D07 SP RV S 12B, 12M, 12T	127	(2) ISO 6H M10-1.5 x 65mm SHCS	n/a
* D07 SP RV * 16P	127	(3) UNC 0.38-16 x 4.00 long SHCS	(2) 1.00-11.5 NPTF LSPP
* D07 SP RV * 16S	127		(2) -16 SAE hex socket plug
* D07 SP RV * 16B, 16M, 16T	127	(3) ISO 6H M10-1.5 x 100mm SHCS	n/a
* D08 SP S* 12P, 16P, 16S	128	(2) UNC 0.50-13 x 1.75 long SHCS	n/a
* D08 SP S* 16B, 16M, 16T	128	(2) ISO 6H M12-1.75 x 45mm SHCS	n/a
* D08 SP SO 20P, 20S	128	(2) UNC 0.50-13 x 3.00 long SHCS	n/a
* D08 SP SO 20B, 20M, 20T	128	(2) ISO 6H M12-1.75 x 100mm SHCS	n/a
* D08 SP B 12P, 16P, 16S	128	(2) UNC 0.50-13 x 1.50 long SHCS	n/a
* D08 SP B 16B, 16M, 16T	128	(2) ISO 6H M12-1.75 x 40mm SHCS	n/a
* D08 SP B 20P, 20S	128	(4) UNC 0.38-16 x 2.00 long SHCS	n/a
* D08 SP B 20B, 20M, 20T	128	(4) ISO 6H M10-1.5 x 50mm SHCS	n/a
* D08 SP RV * 16P	129	(2) UNC 0.38-16 x 3.00 long SHCS	(2) 1.00-11.5 NPTF LSPP
* D08 SP RV * 16S	129		(2) -16 SAE hex socket plug
* D08 SP RV * 16B, 16M, 16T	129	(2) ISO 6H M10-1.5 x 75mm SHCS	n/a
* D08 SP RV * 20P	129	n/a	(2) 1.25-11.5 NPTF LSPP
* D08 SP RV * 20S	129		(2) -20 SAE hex socket plug
* D08 SP RV * 20B, 20M, 20T	129	n/a	n/a

Chart continued on next page

Standard Manifolds
 Cover Plates
 Valve Adaptors
 Subplates
 Servo Valve Subplates
 Tapping Plates
 Cartridge Valve Cavity Bodies
 Header and Junction Blocks
 Sandwich Modules
 Technical Information

Subplate Mounting Hardware

Part no.	Cat. pg.	Mounting Screws	Plugs
* D10 SP S O 20P	130	(4) UNC 0.50-13 x 3.50 long SHCS	n/a
* D10 SP S O 24P, 24S	130	(4) UNC 0.50-13 x 4.00 long SHCS	n/a
* D10 SP S O 32P, 32S	130	(4) UNC 0.50-13 x 4.50 long SHCS	n/a
* D10 SP B 20P	130	(4) UNC 0.50-13 x 2.00 long SHCS	n/a
* D10 SP B 24P, 24S	130	(4) UNC 0.50-13 x 2.00 long SHCS	n/a
* D10 SP B 32P, 32S	130	(4) UNC 0.50-13 x 2.50 long SHCS	n/a
* 2F06 SP S 6P, 8P, 8S	131	(2) UNC 0.38-16 x 1.25 long SHCS	n/a
* 2F07 SP S 8P, 8S	131	(2) UNC 0.38-16 x 1.25 long SHCS	n/a
* P06 SP S 08P, 08S, 12P, 12S	132	(4) UNC 0.38-16 x 2.00 long SHCS	n/a
* P08 SP S 12P, 12S, 16P, 16S	132	(4) UNC 0.38-16 x 2.00 long SHCS	n/a
* P10 SP S 20P, 20S, 24P, 24S	132	(4) UNC 0.38-16 x 3.00 long SHCS	n/a
* R06 SP S 08P, 08S, 12P, 12S	133	(4) UNC 0.38-16 x 2.00 long SHCS	n/a
* R08 SP S 12P, 12S, 16P, 16S	133	(4) UNC 0.38-16 x 2.50 long SHCS	n/a
* I08 SP S 12P, 12S, 16P, 16S	133	(4) UNC 0.38-16 x 2.50 long SHCS	n/a
* R10 SP S 20P, 20S, 24P, 24S	133	(4) UNC 0.38-16 x 4.00 long SHCS	n/a
* I10 SP S 20P, 20S, 24P, 24S	133	(4) UNC 0.38-16 x 4.00 long SHCS	n/a

SERVO VALVE SUBPLATES

Servo Valve Cross Reference	Pages 139-141
S01 (0.480 port circle) Subplates	Page 142
S02, S83 (0.625 port circle) Subplates	Page 143
S03, S71 (0.780 port circle) Subplates	Page 143
S72 (0.938 port circle) Subplates	Page 143
S85 (0.850 port circle) Subplates	Page 143
S02 (0.625 port circle) Tapping Plates	Page 143
S71 (0.780 port circle) Tapping Plates	Page 143
S04 (0.875 port circle) Subplates	Page 144
S04 (0.875 port circle) Tapping Plates	Page 144
S06 (2.000 port circle) Subplates	Page 145
S06 (2.000 port circle) Tapping Plates	Page 145
S73 (1.375 port circle) Subplates	Page 146
S74 (1.750 port circle) Subplates	Page 147
S76 Subplates	Page 148
S77 (1.750 port circle) Subplates	Page 149
S78 Subplates	Page 150
S82 Subplates	Page 151
S87 Subplates	Page 151
S90 Subplates	Page 152
S92 Subplates	Page 152
D05 Servo Tapping Plates	Page 153
Mounting Hardware	Page 154

Servo Valve Cross Reference

Daman pattern no.	ISO no.	Port Circle	CEI	HR Textron	Moog	Moog / Atchley	Moog / Pegasus	MTS	Parker	Rexroth	Vickers
S01	10372-01	0.480	--	27A ¹⁾⁵⁾	30 ¹⁾⁵⁾ 260 ¹⁾⁵⁾	--	--	--	SEMT ¹⁾	--	--
S02	10372-02	0.625	JP-5 JP-10	--	31 261 ¹⁾ 77-100 ⁶⁾ 771 774	206 ¹⁾⁶⁾ 208A ³⁾ 209 ¹⁾	20 ²⁾ 105H ²⁾ 122A ²⁾ 125	--	SE05	--	--
S03	10372-03	0.780	--	--	77-200	207- optional ¹⁾⁷⁾	132A ²⁾¹²⁾	--	--	--	SM4-12 SX4-12
S04	10372-04	0.875	90700 JP-20	27E	62 730 730-HP8 760 ⁴⁾ 760-HP8 761HR ⁴⁾ D761 D765 ³⁾ G761	215A ³⁾ 320	142M ¹⁾ 142MP ²⁾⁴⁾ 162M ²⁾ 162MP ²⁾⁴⁾	252.2X 252.4X	BD15 PH76 SE20 ³⁾ SE2E ³⁾	4WS*2E*10A-4X ³⁾⁹⁾	SM4-20 ⁴⁾ SX4-20 ⁴⁾
S06	10372-06	2.000	--	--	72 ³⁾ 79-100 ⁴⁾⁸⁾ D791 ⁴⁾	261 ¹⁾	1282A 1282AD 1282ADL 1282B	252.3X	SE60 ³⁾	4WS*2E*16A-2X ³⁾¹⁰⁾	--
S71	--	0.780	--	27C ¹⁾	15 32 34 262 ¹⁾ 264 ¹⁾ 755 772 77-200- optional	207 ¹⁾¹¹⁾ 211A ³⁾ 214 ¹⁾³⁾	--	--	SE10	--	--
S72	--	0.938	JP-15	--	773 77-500	218 ¹⁾	142A ²⁾¹²⁾ 162A ²⁾¹²⁾ 162R ²⁾¹²⁾ 212 ²⁾¹²⁾ 235 ²⁾¹²⁾	--	SE15	--	SM4-15 SX4-15
S73	--	1.375	JP-25	--	743 ³⁾	225A ³⁾ 225B ³⁾	--	--	SE2N 425	--	--
S74	--	1.750	--	--	--	--	1330	--	--	--	--

NOTES:

- 1) This valve does not have a locating pin, therefore the pattern does not require a locating pin hole.
- 2) The A & B (C1 & C2) ports are reversed on these valves compared to the ISO standard or the majority of other manufacturers valves.
- 3) These valves have an optional pilot port conforming to ISO standards or the majority of other manufacturers valves.
- 4) These valves have an optional pilot port which does not conform to ISO standards.
- 5) These valves use mounting threads which do not conform to the ISO standard of M4.
- 6) The S02 mounting pattern has #10-32 or M5 mounting threads. If using the optional 1/4-20 or M6 bolts use the S83 valve pattern.
- 7) The S03 mounting pattern has #1/4-20 or M6 mounting threads. If using the optional #10-32 or M5 bolts use the S71 valve pattern.
- 8) The ports on this valve are 90 degrees out of phase with the ISO standard and all other valves using this pattern.
- 9) Manufacturer's catalog states that this valve is also in conformance with CETOP RP115H type 4.
- 10) Manufacturer's catalog states that this valve is also in conformance with CETOP RP115H type 5.
- 11) The S71 mounting pattern has #10-32 or M5 mounting threads. If using the optional 1/4-20 or M6 bolts use the S03 valve pattern.
- 12) Manufacturer calls for 1/4-28 valve mounting threads. Daman's S03 & S72 standard products have 1/4-20 threads.

Servo Valve Cross Reference

Daman pattern no.	ISO no.	Port Circle	CEI	Continental	HR Textron	Moog	Moog / Atchley	Moog / Pegasus	Parker / Dyval	Rexroth	Vickers
S75 ¹⁾	--	2.750	--	--	--	--	3100	--	--	--	--
S76	--	--	--	--	--	62-300	241	--	--	--	SM4-30
S77	--	1.750	90800 JP-40	--	27G	78	240	180L ^{3) 7)} 180R ^{3) 7)}	BD30	--	SM4-40 ⁴⁾
S78	--	--	--	--	--	79-200 79-200HR D792	--	1800	--	--	--
S79 ¹⁾	--	--	--	--	--	D643- optional ⁵⁾ D644- optional ⁵⁾	--	--	--	--	--
S81 ¹⁾	--	--	--	--	--	--	231 242	--	--	--	--
S82	--	--	--	--	--	--	--	--	--	4DS*1E02-1X	--
S83	--	0.625	--	--	--	77-100- optional ⁶⁾	206- optional ^{2) 6)}	--	--	--	SM4-10 SX4-10
S84 ¹⁾	--	0.740	--	--	--	--	202PN	--	--	--	--
S85	--	0.850	--	SV850M	--	--	--	--	DY01 DY1S DY05 DY10 10PS DY12	--	--
S86 ¹⁾	--	1.000	--	--	--	265 ²⁾ 35	--	--	--	--	--
S87	--	1.000	--	SV1000M	--	--	--	--	DY15 DY25	--	--
S88 ¹⁾	--	1.800	--	SV1800M	--	--	--	--	DY45 45PS	--	--
S89 ¹⁾	--	--	--	--	--	--	--	--	PC-2	--	--
S90	--	1.000	--	--	--	--	--	--	DY2S 2-SP	--	--
S91 ¹⁾	--	--	--	--	--	--	--	--	5P 10P	--	--
S92	--	--	--	--	--	--	--	--	DY3H DY6H	--	--

NOTES:

- 1) These patterns are identified for reference purposes. Standard subplates are not available. See pages 2-3 for information requesting a custom subplate.
- 2) This valve does not have a locating pin, therefore the pattern does not require a locating pin hole.
- 3) The A & B (C1 & C2) ports are reversed on these valves compared to the ISO standard or the majority of other manufacturers valves.
- 4) These valves have an optional pilot port conforming to ISO standards or the majority of other manufacturers valves.
- 5) The S79 mounting pattern has 7/16-14 mounting threads. If using the optional M12 or 1/2-13 bolts use the D08 valve pattern.
- 6) The S83 mounting pattern has 1/4-20 or M6 mounting threads. If using the optional #10-32 or M5 bolts use the S02 valve pattern.
- 7) Manufacturer calls for 5/16-24 valve mounting threads. Daman's S77 standard products have 5/16-18 threads.

Servo Valve Cross Reference

Daman pattern no.	ISO no.	Port Circle	CEI	HR Textron	Moog	Moog / Atchley / Pegasus	Parker/ Dyval	Rexroth	Vickers
S93 ¹⁾	--	0.850	--	--	--	--	10-1100	--	--
S94 ¹⁾	--	--	--	--	744	290	--	--	--
S95 ¹⁾	--	2.000	--	--	--	--	DY90	--	--
D03	4401-03-03	--	--	27B	D633 ⁵⁾ D636 ⁵⁾ D635 ⁵⁾ D638 ⁵⁾	40	--	4WS*2EM6-1X ²⁾	--
D05HE	4401-05-05	--	--	--	D634 ⁶⁾ D681 ⁷⁾ D661 ⁷⁾ D691 ⁷⁾	--	--	4WS*2E*10-5X	--
D05-S1	4401-05-05	--	--	--	631 ⁴⁾ 631-500 ⁴⁾ 641 ⁴⁾ 641-100 ⁴⁾ 651 ⁴⁾	--	--	--	--
D05-S2	4401-05-05	--	--	--	G631 ⁴⁾	--	--	--	--
D05-S3	4401-05-05	--	--	--	--	--	SE31 ⁴⁾	--	--
D05-S4	4401-05-05	--	--	--	--	--	--	3DS*2E*10-2X ⁴⁾ 4WS*2E*10-4X ⁴⁾	--
D05-S5	4401-05-05	--	90200 ^{4) 16)}	--	--	--	--	--	--
D06	--	--	90300 ⁴⁾	--	--	--	--	--	--
D07	4401-07-06	--	--	--	D642 ^{8) 15)} D662 ⁸⁾ D652 ⁸⁾ D682 ⁸⁾	--	--	4WS*2E*16-2X ³⁾ 4WSE3EE16-1X ³⁾	--
D08	4401-08-07	--	90600	--	D643 ⁹⁾ D663 ¹¹⁾ D644 ⁹⁾ D664 ¹²⁾ D653 ¹⁰⁾ D683 ¹¹⁾ D654 ¹⁰⁾ D684 ¹²⁾	--	--	4WSE3EE25-2X ³⁾	--
D10	4401-10-08	--	--	--	D645 ¹³⁾ D665 ¹⁴⁾ D685 ¹⁴⁾	--	--	4WSE3EE32-4X ³⁾	--

NOTES:

- 1) These patterns are identified for reference purposes. Standard subplates are not available. See pages 2-3 for information requesting a custom subplate.
- 2) This valve does not have a locating pin, therefore the pattern does not require a locating pin hole.
- 3) These valves have an optional pilot port conforming to ISO standards or the majority of other manufacturers valves.
- 4) These valves have an optional pilot port which does not conform to NFPA / ISO standards.
- 5) Pattern conforms to ISO 4401-03-03-0-94 without X port; Y port is optional. Ports are 7.5mm dia for full flow. Mounting threads are M5.
- 6) Pattern conforms to ISO 4401-05-05-0-94 without X port; Y port is optional. Mounting threads are M6.
- 7) Pattern conforms to ISO 4401-05-05-0-94 without X port; Y port is optional. Ports are 11.5mm dia for full flow. Mounting threads are M6.
- 8) Pattern conforms to ISO 4401-07-06-0-94 except ports are 20mm dia for full flow. Mounting threads are M10 and M6.
- 9) Pattern conforms to ISO 4401-08-07-0-94. Mounting threads are M12. If using the optional 7/16-14 bolts use the S79 valve pattern.
- 10) Pattern conforms to ISO 4401-08-07-0-94. Mounting threads are M12.
- 11) Pattern conforms to ISO 4401-08-07-0-94 except ports are 28mm dia for full flow. Mounting threads are M12.
- 12) Pattern conforms to ISO 4401-08-07-0-94 except ports are 32mm dia for full flow. Mounting threads are M12.
- 13) Pattern conforms to ISO 4401-10-08-0-94. Mounting threads are M20.
- 14) Pattern conforms to ISO 4401-10-08-0-94 except ports are 50mm dia for full flow. Mounting threads are M20.
- 15) Manufacturer calls for 3/8-24; 1/4-28 valve mounting threads. Daman's D07 standard products have 3/8-16; 1/4-20 threads.
- 16) Manufacturer calls for 1/4-28 valve mounting threads. Daman's D05 standard products have 1/4-20 threads.

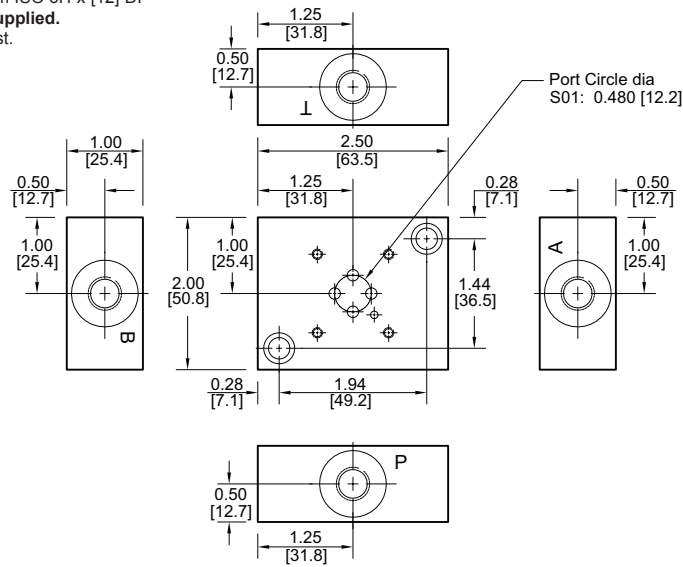
Standard Manifolds
 Cover Plates
 Valve Adaptors
 Subplates
 Servo Valve Subplates
 Tapping Plates
 Cartridge Valve Cavity Bodies
 Header and Junction Blocks
 Sandwich Modules
 Technical Information

Daman S01 Servo Subplate

0.480 Port Circle

Side Ported Subplate

Valve mtg: UNC #6-32 x 0.50 DP or
Metric M4-0.7mm ISO 6H x [12] DP
Subplate hardware kit is supplied.
See page 154 for itemized list.



Specifications, descriptions, and dimensional data are subject to correction or change without notice or incurring obligation. Download latest catalog page revisions at www.daman.com.

Ordering Information

Material	Servo Valve Pattern	Product Type	Port Location	Port Threads																										
<table border="1"> <thead> <tr> <th colspan="2">Material</th> </tr> </thead> <tbody> <tr> <td>A</td> <td>Aluminum - 6061-T6 3000[†] psi • 20.7 MPa</td> </tr> <tr> <td>D</td> <td>Ductile Iron - D4512 5000[†] psi • 34.5 MPa</td> </tr> <tr> <td colspan="2"> [†] Working pressure should be considered in accordance with ISO 4413 to determine appropriate material type. </td> </tr> </tbody> </table>	Material		A	Aluminum - 6061-T6 3000 [†] psi • 20.7 MPa	D	Ductile Iron - D4512 5000 [†] psi • 34.5 MPa	[†] Working pressure should be considered in accordance with ISO 4413 to determine appropriate material type.		<table border="1"> <thead> <tr> <th colspan="2">Servo Pattern</th> </tr> </thead> <tbody> <tr> <td>S01</td> <td>ISO 10372-01-01 Daman std. S01 See page 139 and Tech Info</td> </tr> </tbody> </table>	Servo Pattern		S01	ISO 10372-01-01 Daman std. S01 See page 139 and Tech Info	<table border="1"> <thead> <tr> <th colspan="2">Product Type</th> </tr> </thead> <tbody> <tr> <td>SP</td> <td>Subplate</td> </tr> </tbody> </table>	Product Type		SP	Subplate	<table border="1"> <thead> <tr> <th colspan="2">Port Location</th> </tr> </thead> <tbody> <tr> <td>S</td> <td>Side ported</td> </tr> </tbody> </table>	Port Location		S	Side ported	<table border="1"> <thead> <tr> <th colspan="2">Port Threads</th> </tr> </thead> <tbody> <tr> <td>4S</td> <td>-4 SAE ISO 11926; SAE 1926</td> </tr> <tr> <td>4M</td> <td>M10 x 1.0 ISO 6149</td> </tr> </tbody> </table>	Port Threads		4S	-4 SAE ISO 11926; SAE 1926	4M	M10 x 1.0 ISO 6149
Material																														
A	Aluminum - 6061-T6 3000 [†] psi • 20.7 MPa																													
D	Ductile Iron - D4512 5000 [†] psi • 34.5 MPa																													
[†] Working pressure should be considered in accordance with ISO 4413 to determine appropriate material type.																														
Servo Pattern																														
S01	ISO 10372-01-01 Daman std. S01 See page 139 and Tech Info																													
Product Type																														
SP	Subplate																													
Port Location																														
S	Side ported																													
Port Threads																														
4S	-4 SAE ISO 11926; SAE 1926																													
4M	M10 x 1.0 ISO 6149																													

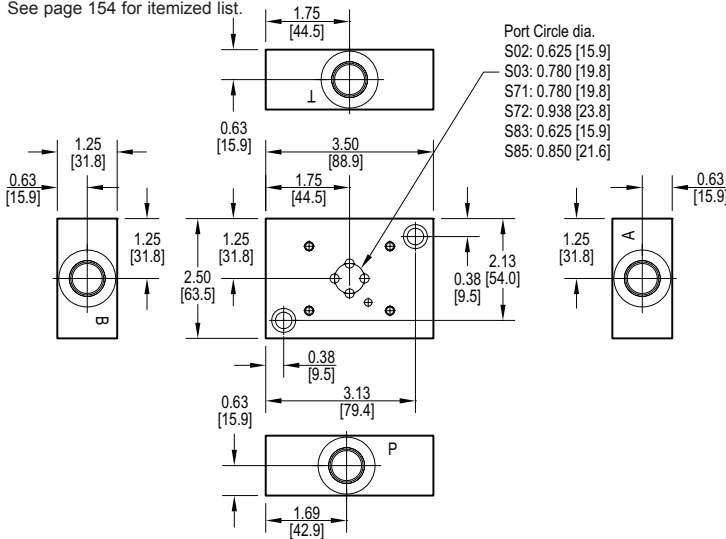
For coating options see pages 245-246.

Daman S02, S03, S71, S72, S83, S85 Servo Subplate; S02, S71 Pilot Port Tapping Plate

0.625, 0.780, 0.850, 0.938 Port Circle

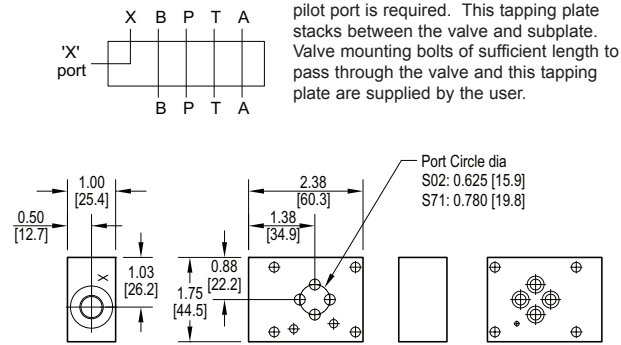
Side Ported Subplate

Valve mtg **S02, S71**: UNF #10-32 x 0.63 DP or Metric M5-0.8mm ISO 6H x [16] DP
 Valve mtg **S03**: UNF 0.25-28 x 0.75 DP or Metric M6-1.0mm ISO 6H x [19] DP
 Valve mtg **S72, S83, S85**: UNC 0.25-20 x 0.75 DP or Metric M6-1.0mm ISO 6H x [19] DP
Subplate hardware kit is supplied.
 See page 154 for itemized list.



Pilot Port Tapping Plate (S02, S71 Patterns only)

Subplate interface seal kit is supplied.
 See page 154 for itemized list.



Use this tapping plate when an external pilot port is required. This tapping plate stacks between the valve and subplate. Valve mounting bolts of sufficient length to pass through the valve and this tapping plate are supplied by the user.

Specifications, descriptions, and dimensional data are subject to correction or change without notice or incurring obligation. Download latest catalog page revisions at www.daman.com.

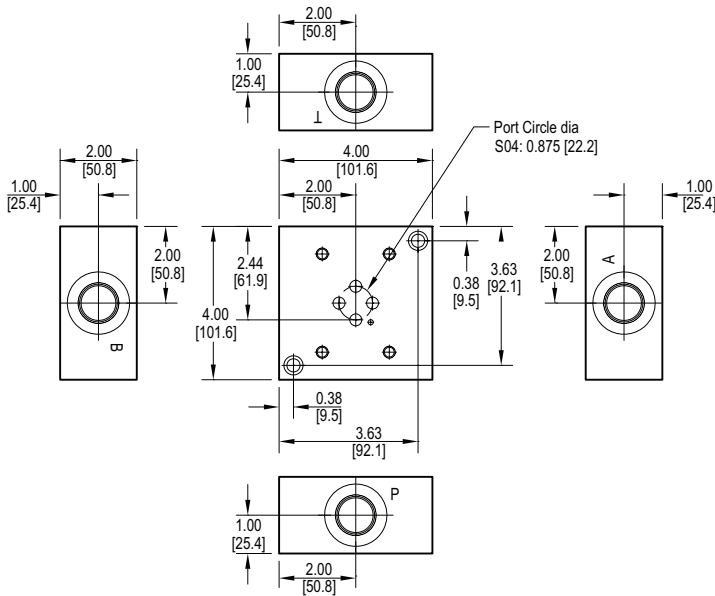
Ordering Information

Material	Servo Valve Pattern	Product Type	Port Location / Circuit	Port Threads																																																		
<table border="1"> <tr> <th colspan="2">Material</th> </tr> <tr> <td>A</td> <td>Aluminum - 6061-T6 3000† psi • 20.7 MPa</td> </tr> <tr> <td>D</td> <td>Ductile Iron - D4512 5000† psi • 34.5 MPa</td> </tr> <tr> <td colspan="2">† Working pressure should be considered in accordance with ISO 4413 to determine appropriate material type.</td> </tr> </table>	Material		A	Aluminum - 6061-T6 3000† psi • 20.7 MPa	D	Ductile Iron - D4512 5000† psi • 34.5 MPa	† Working pressure should be considered in accordance with ISO 4413 to determine appropriate material type.		<table border="1"> <tr> <th colspan="2">Servo Pattern</th> </tr> <tr> <td colspan="2">See page 139 and Tech Info</td> </tr> <tr> <td>S02</td> <td>ISO 10372-02-02 Daman std. S02</td> </tr> <tr> <td>S03</td> <td>ISO 10372-03-03 Daman std. S03</td> </tr> <tr> <td>S71</td> <td>Daman std. S71</td> </tr> <tr> <td>S72</td> <td>Daman std. S72</td> </tr> <tr> <td>S83</td> <td>Daman std. S83</td> </tr> <tr> <td>S85</td> <td>Daman std. S85</td> </tr> </table>	Servo Pattern		See page 139 and Tech Info		S02	ISO 10372-02-02 Daman std. S02	S03	ISO 10372-03-03 Daman std. S03	S71	Daman std. S71	S72	Daman std. S72	S83	Daman std. S83	S85	Daman std. S85	<table border="1"> <tr> <th colspan="2">Product Type</th> </tr> <tr> <td>SP</td> <td>Subplate</td> </tr> <tr> <td>TP</td> <td>Tapping Plate S02 or S71 only</td> </tr> </table>	Product Type		SP	Subplate	TP	Tapping Plate S02 or S71 only	<table border="1"> <tr> <th colspan="2">Port Loc. / Circuit</th> </tr> <tr> <td>S</td> <td>Side ported (Subplate only)</td> </tr> <tr> <td>X</td> <td>X Port (Tapping Plate only)</td> </tr> </table>	Port Loc. / Circuit		S	Side ported (Subplate only)	X	X Port (Tapping Plate only)	<p>For coating options see pages 245-246.</p> <table border="1"> <tr> <th colspan="2">Port Threads</th> </tr> <tr> <th colspan="2">Subplate Port Sizes Only</th> </tr> <tr> <td>8S</td> <td>-8 SAE ISO 11926; SAE 1926</td> </tr> <tr> <td>8M</td> <td>M18 x 1.5 ISO 6149</td> </tr> <tr> <th colspan="2">Tapping Plate Port Sizes Only</th> </tr> <tr> <td>4S</td> <td>-4 SAE ISO 11926; SAE 1926</td> </tr> <tr> <td>4M</td> <td>M10 x 1.0 ISO 6149</td> </tr> </table>	Port Threads		Subplate Port Sizes Only		8S	-8 SAE ISO 11926; SAE 1926	8M	M18 x 1.5 ISO 6149	Tapping Plate Port Sizes Only		4S	-4 SAE ISO 11926; SAE 1926	4M	M10 x 1.0 ISO 6149
Material																																																						
A	Aluminum - 6061-T6 3000† psi • 20.7 MPa																																																					
D	Ductile Iron - D4512 5000† psi • 34.5 MPa																																																					
† Working pressure should be considered in accordance with ISO 4413 to determine appropriate material type.																																																						
Servo Pattern																																																						
See page 139 and Tech Info																																																						
S02	ISO 10372-02-02 Daman std. S02																																																					
S03	ISO 10372-03-03 Daman std. S03																																																					
S71	Daman std. S71																																																					
S72	Daman std. S72																																																					
S83	Daman std. S83																																																					
S85	Daman std. S85																																																					
Product Type																																																						
SP	Subplate																																																					
TP	Tapping Plate S02 or S71 only																																																					
Port Loc. / Circuit																																																						
S	Side ported (Subplate only)																																																					
X	X Port (Tapping Plate only)																																																					
Port Threads																																																						
Subplate Port Sizes Only																																																						
8S	-8 SAE ISO 11926; SAE 1926																																																					
8M	M18 x 1.5 ISO 6149																																																					
Tapping Plate Port Sizes Only																																																						
4S	-4 SAE ISO 11926; SAE 1926																																																					
4M	M10 x 1.0 ISO 6149																																																					

Daman S04 Servo Subplate, Pilot Port Tapping Plate 0.875 Port Circle

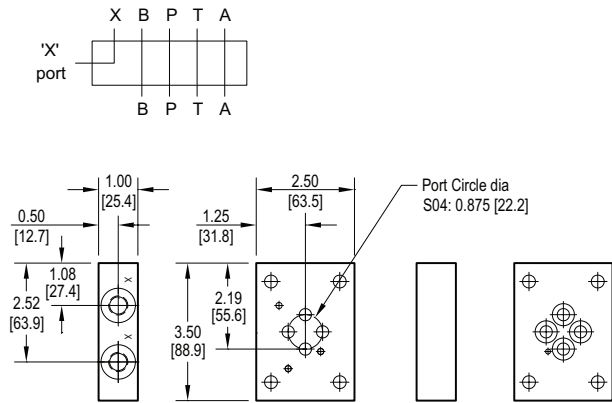
Side Ported Subplate

Valve mtg: UNC 0.31-18 UNC x 0.88 DP or Metric M8-1.25mm ISO 6H x [22.2] DP
Subplate hardware kit is supplied.
 See page 154 for itemized list.



Pilot Port Tapping Plate

Subplate interface seal kit is supplied.*
 See page 154 for itemized list.
 * Plug not included on metric ported parts.



Use this tapping plate when an external pilot port is required. Two ports are provided to facilitate the various valves available. This tapping plate stacks between the valve and subplate. Valve mounting bolts of sufficient length to pass through the valve and this tapping plate are supplied by the user.

Specifications, descriptions, and dimensional data are subject to correction or change without notice or incurring obligation. Download latest catalog page revisions at www.daman.com.

Ordering Information

Material	Servo Valve Pattern	Product Type	Port Location / Circuit	Port Threads
----------	---------------------	--------------	-------------------------	--------------

For **coating options** see pages 245-246.

Material	
A	Aluminum - 6061-T6 3000† psi • 20.7 MPa
D	Ductile Iron - D4512 5000† psi • 34.5 MPa

† Working pressure should be considered in accordance with ISO 4413 to determine appropriate material type.

Servo Pattern	
See page 139 and Tech Info	
S04	ISO 10372-04-04 Daman std. S04

Product Type	
SP	Subplate
TP	Tapping Plate

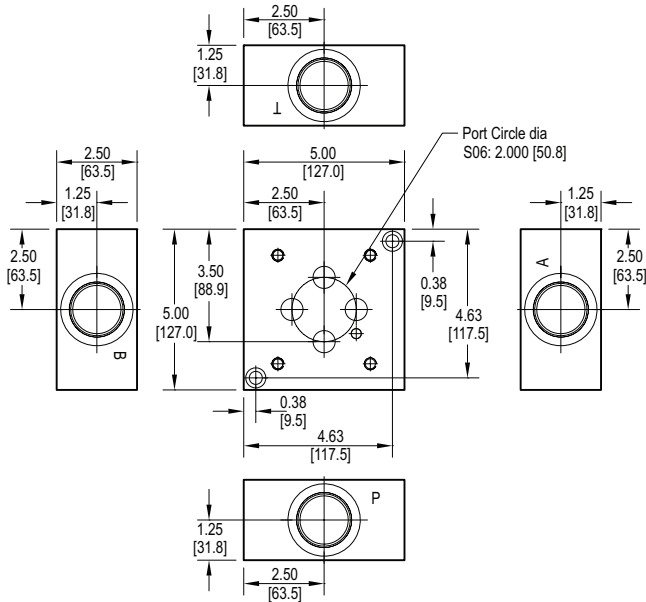
Port Loc. / Circuit	
S	Side ported (Subplate only)
X	X Port (Tapping Plate only)

Port Threads	
Subplate Port Sizes Only	
12S	-12 SAE ISO 11926; SAE 1926
12M	M27 x 2.0 ISO 6149
Tapping Plate Port Sizes Only	
4S	-4 SAE ISO 11926; SAE 1926
4M	M10 x 1.0 ISO 6149

Daman S06 Servo Subplate, Pilot Port Tapping Plate 2.000 Port Circle

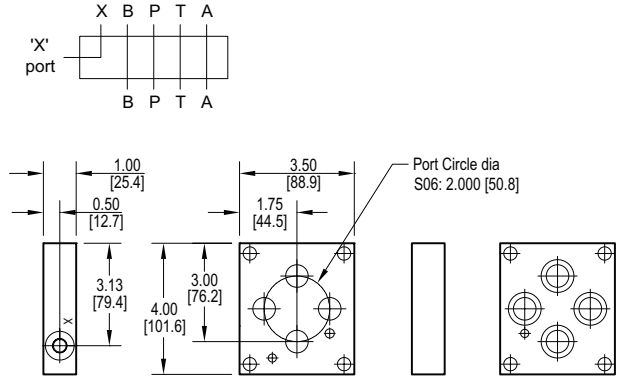
Side Ported Subplate

Valve mtg: UNC 0.38-16 UNC x 1.00 DP or
Metric M10-1.5mm ISO 6H x [25.4] DP
Subplate hardware kit is supplied.
See page 154 for itemized list.



Pilot Port Tapping Plate

Subplate interface seal kit is supplied.*
See page 154 for itemized list.
* Plug not included on metric ported parts.



Use this tapping plate when an external pilot port is required. This tapping plate stacks between the valve and subplate. Valve mounting bolts of sufficient length to pass through the valve and this tapping plate are supplied by the user.

Specifications, descriptions, and dimensional data are subject to correction or change without notice or incurring obligation. Download latest catalog page revisions at www.daman.com.

Ordering Information

Material	Servo Valve Pattern	Product Type	Port Location / Circuit	Port Threads																																								
<table border="1"> <tr><th colspan="2">Material</th></tr> <tr><td>A</td><td>Aluminum - 6061-T6 3000[†] psi • 20.7 MPa</td></tr> <tr><td>D</td><td>Ductile Iron - D4512 5000[†] psi • 34.5 MPa</td></tr> <tr><td colspan="2">[†] Working pressure should be considered in accordance with ISO 4413 to determine appropriate material type.</td></tr> </table>	Material		A	Aluminum - 6061-T6 3000 [†] psi • 20.7 MPa	D	Ductile Iron - D4512 5000 [†] psi • 34.5 MPa	[†] Working pressure should be considered in accordance with ISO 4413 to determine appropriate material type.		<table border="1"> <tr><th colspan="2">Servo Pattern</th></tr> <tr><td colspan="2">See page 139 and Tech Info</td></tr> <tr><td>S06</td><td>ISO 10372-06-05 Daman std. S06</td></tr> </table>	Servo Pattern		See page 139 and Tech Info		S06	ISO 10372-06-05 Daman std. S06	<table border="1"> <tr><th colspan="2">Product Type</th></tr> <tr><td>SP</td><td>Subplate</td></tr> <tr><td>TP</td><td>Tapping Plate</td></tr> </table>	Product Type		SP	Subplate	TP	Tapping Plate	<table border="1"> <tr><th colspan="2">Port Loc. / Circuit</th></tr> <tr><td>S</td><td>Side ported (Subplate only)</td></tr> <tr><td>X</td><td>X Port (Tapping Plate only)</td></tr> </table>	Port Loc. / Circuit		S	Side ported (Subplate only)	X	X Port (Tapping Plate only)	<table border="1"> <tr><th colspan="2">Port Threads</th></tr> <tr><th colspan="2">Subplate Port Sizes Only</th></tr> <tr><td>20S</td><td>-20 SAE ISO 11926; SAE 1926</td></tr> <tr><td>20M</td><td>M42 x 2.0 ISO 6149</td></tr> <tr><th colspan="2">Tapping Plate Port Sizes Only</th></tr> <tr><td>4S</td><td>-4 SAE ISO 11926; SAE 1926</td></tr> <tr><td>4M</td><td>M10 x 1.0 ISO 6149</td></tr> </table>	Port Threads		Subplate Port Sizes Only		20S	-20 SAE ISO 11926; SAE 1926	20M	M42 x 2.0 ISO 6149	Tapping Plate Port Sizes Only		4S	-4 SAE ISO 11926; SAE 1926	4M	M10 x 1.0 ISO 6149
Material																																												
A	Aluminum - 6061-T6 3000 [†] psi • 20.7 MPa																																											
D	Ductile Iron - D4512 5000 [†] psi • 34.5 MPa																																											
[†] Working pressure should be considered in accordance with ISO 4413 to determine appropriate material type.																																												
Servo Pattern																																												
See page 139 and Tech Info																																												
S06	ISO 10372-06-05 Daman std. S06																																											
Product Type																																												
SP	Subplate																																											
TP	Tapping Plate																																											
Port Loc. / Circuit																																												
S	Side ported (Subplate only)																																											
X	X Port (Tapping Plate only)																																											
Port Threads																																												
Subplate Port Sizes Only																																												
20S	-20 SAE ISO 11926; SAE 1926																																											
20M	M42 x 2.0 ISO 6149																																											
Tapping Plate Port Sizes Only																																												
4S	-4 SAE ISO 11926; SAE 1926																																											
4M	M10 x 1.0 ISO 6149																																											

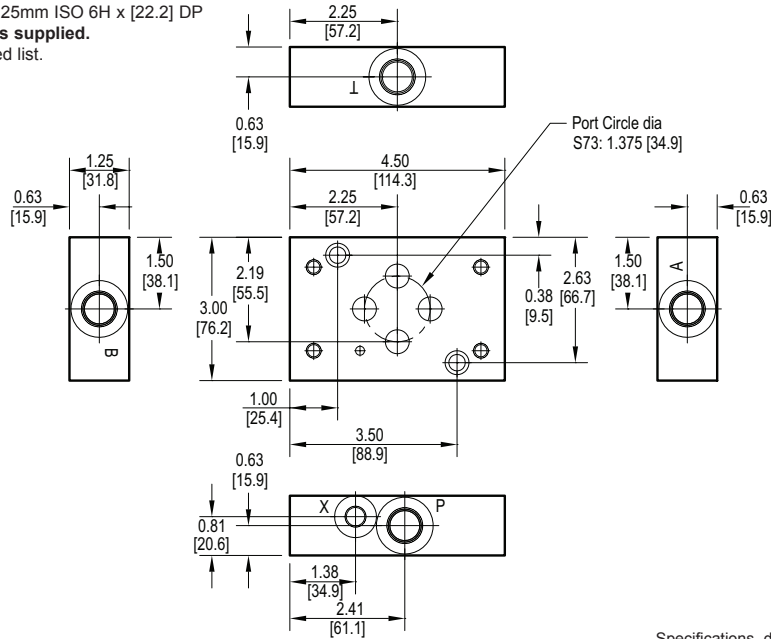
For **coating options** see pages 245-246.

Daman S73 Servo Subplate

1.375 Port Circle

Side Ported Subplate

Valve mtg: UNC 0.31-18 x 0.88 DP or
Metric M8-1.25mm ISO 6H x [22.2] DP
Subplate hardware kit is supplied.
See page 154 for itemized list.



Specifications, descriptions, and dimensional data are subject to correction or change without notice or incurring obligation. Download latest catalog page revisions at www.daman.com.

Ordering Information

Material	Servo Valve Pattern	Product Type	Port Location	Port Threads																										
<table border="1"> <thead> <tr> <th colspan="2">Material</th> </tr> </thead> <tbody> <tr> <td>A</td> <td>Aluminum - 6061-T6 3000[†] psi • 20.7 MPa</td> </tr> <tr> <td>D</td> <td>Ductile Iron - D4512 5000[†] psi • 34.5 MPa</td> </tr> <tr> <td colspan="2"> [†] Working pressure should be considered in accordance with ISO 4413 to determine appropriate material type. </td> </tr> </tbody> </table>	Material		A	Aluminum - 6061-T6 3000 [†] psi • 20.7 MPa	D	Ductile Iron - D4512 5000 [†] psi • 34.5 MPa	[†] Working pressure should be considered in accordance with ISO 4413 to determine appropriate material type.		<table border="1"> <thead> <tr> <th colspan="2">Servo Pattern</th> </tr> </thead> <tbody> <tr> <td>S73</td> <td>Daman S73 See page 139 and Tech Info</td> </tr> </tbody> </table>	Servo Pattern		S73	Daman S73 See page 139 and Tech Info	<table border="1"> <thead> <tr> <th colspan="2">Product Type</th> </tr> </thead> <tbody> <tr> <td>SP</td> <td>Subplate</td> </tr> </tbody> </table>	Product Type		SP	Subplate	<table border="1"> <thead> <tr> <th colspan="2">Port Location</th> </tr> </thead> <tbody> <tr> <td>S</td> <td>Side ported</td> </tr> </tbody> </table>	Port Location		S	Side ported	<table border="1"> <thead> <tr> <th colspan="2">Port Threads</th> </tr> </thead> <tbody> <tr> <td>8S</td> <td>-8 SAE ISO 11926; SAE 1926 (X port is -4 SAE)</td> </tr> <tr> <td>8M</td> <td>M18 x 1.5 ISO 6149 (X port is M10 x 1.0)</td> </tr> </tbody> </table>	Port Threads		8S	-8 SAE ISO 11926; SAE 1926 (X port is -4 SAE)	8M	M18 x 1.5 ISO 6149 (X port is M10 x 1.0)
Material																														
A	Aluminum - 6061-T6 3000 [†] psi • 20.7 MPa																													
D	Ductile Iron - D4512 5000 [†] psi • 34.5 MPa																													
[†] Working pressure should be considered in accordance with ISO 4413 to determine appropriate material type.																														
Servo Pattern																														
S73	Daman S73 See page 139 and Tech Info																													
Product Type																														
SP	Subplate																													
Port Location																														
S	Side ported																													
Port Threads																														
8S	-8 SAE ISO 11926; SAE 1926 (X port is -4 SAE)																													
8M	M18 x 1.5 ISO 6149 (X port is M10 x 1.0)																													

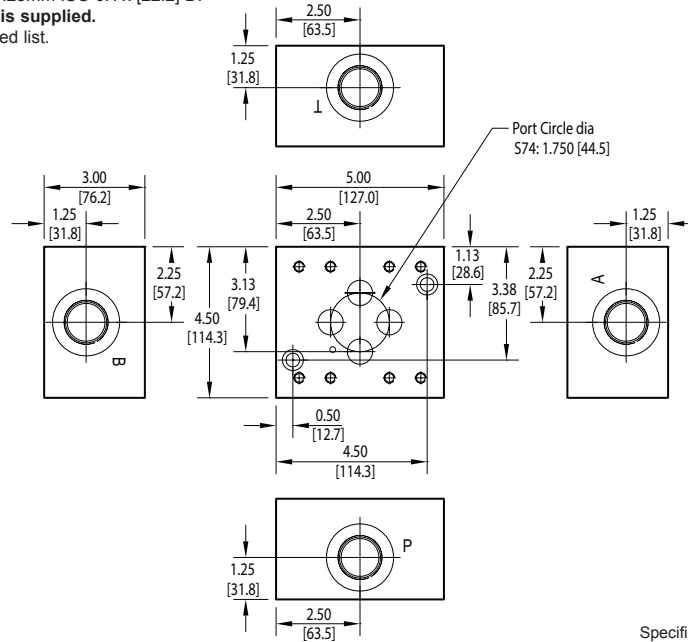
For coating options
see pages 245-246.

Daman S74 Servo Subplate

1.750 Port Circle

Side Ported Subplate

Valve mtg: UNF 0.31-24 x 0.88 DP or
Metric M8-1.25mm ISO 6H x [22.2] DP
Subplate hardware kit is supplied.
See page 154 for itemized list.



Specifications, descriptions, and dimensional data are subject to correction or change without notice or incurring obligation. Download latest catalog page revisions at www.daman.com.

Ordering Information

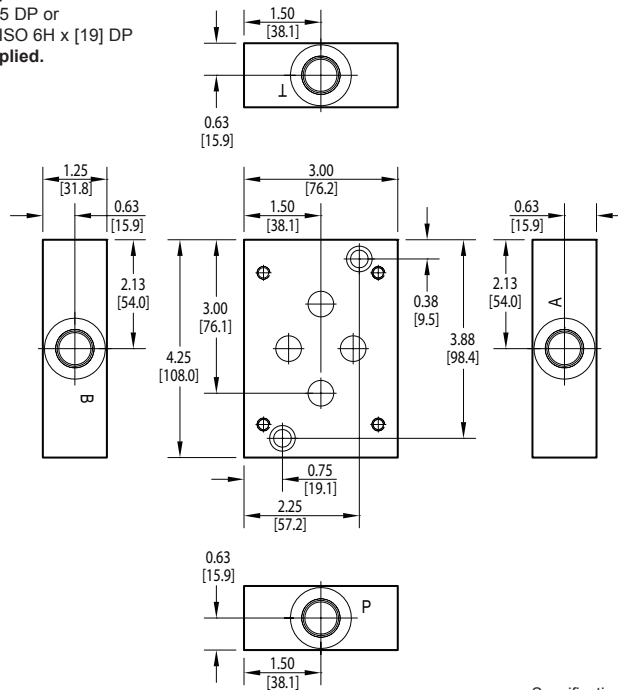
Material	Servo Valve Pattern	Product Type	Port Location	Port Threads																										
<table border="1"> <thead> <tr> <th colspan="2">Material</th> </tr> </thead> <tbody> <tr> <td>A</td> <td>Aluminum - 6061-T6 3000[†] psi • 20.7 MPa</td> </tr> <tr> <td>D</td> <td>Ductile Iron - D4512 5000[†] psi • 34.5 MPa</td> </tr> <tr> <td colspan="2">[†] Working pressure should be considered in accordance with ISO 4413 to determine appropriate material type.</td> </tr> </tbody> </table>	Material		A	Aluminum - 6061-T6 3000 [†] psi • 20.7 MPa	D	Ductile Iron - D4512 5000 [†] psi • 34.5 MPa	[†] Working pressure should be considered in accordance with ISO 4413 to determine appropriate material type.		<table border="1"> <thead> <tr> <th colspan="2">Servo Pattern</th> </tr> </thead> <tbody> <tr> <td>S74</td> <td>Daman S74 See page 139 and Tech Info</td> </tr> </tbody> </table>	Servo Pattern		S74	Daman S74 See page 139 and Tech Info	<table border="1"> <thead> <tr> <th colspan="2">Product Type</th> </tr> </thead> <tbody> <tr> <td>SP</td> <td>Subplate</td> </tr> </tbody> </table>	Product Type		SP	Subplate	<table border="1"> <thead> <tr> <th colspan="2">Port Location</th> </tr> </thead> <tbody> <tr> <td>S</td> <td>Side ported</td> </tr> </tbody> </table>	Port Location		S	Side ported	<table border="1"> <thead> <tr> <th colspan="2">Port Threads</th> </tr> </thead> <tbody> <tr> <td>16S</td> <td>-16 SAE ISO 11926; SAE 1926</td> </tr> <tr> <td>16M</td> <td>M33 x 2.0 ISO 6149</td> </tr> </tbody> </table>	Port Threads		16S	-16 SAE ISO 11926; SAE 1926	16M	M33 x 2.0 ISO 6149
Material																														
A	Aluminum - 6061-T6 3000 [†] psi • 20.7 MPa																													
D	Ductile Iron - D4512 5000 [†] psi • 34.5 MPa																													
[†] Working pressure should be considered in accordance with ISO 4413 to determine appropriate material type.																														
Servo Pattern																														
S74	Daman S74 See page 139 and Tech Info																													
Product Type																														
SP	Subplate																													
Port Location																														
S	Side ported																													
Port Threads																														
16S	-16 SAE ISO 11926; SAE 1926																													
16M	M33 x 2.0 ISO 6149																													

For **coating options** see pages 245-246.

Daman S76 Servo Subplate

Side Ported Subplate

Valve mtg: UNC 0.25-20 x 0.75 DP or
Metric M6-1.0mm ISO 6H x [19] DP
Subplate hardware kit is supplied.
See page 154 for itemized list.



Specifications, descriptions, and dimensional data are subject to correction or change without notice or incurring obligation. Download latest catalog page revisions at www.daman.com.

Ordering Information

Material	Servo Valve Pattern	Product Type	Port Location	Port Threads																										
<table border="1"> <thead> <tr> <th colspan="2">Material</th> </tr> </thead> <tbody> <tr> <td>A</td> <td>Aluminum - 6061-T6 3000[†] psi • 20.7 MPa</td> </tr> <tr> <td>D</td> <td>Ductile Iron - D4512 5000[†] psi • 34.5 MPa</td> </tr> <tr> <td colspan="2"> [†] Working pressure should be considered in accordance with ISO 4413 to determine appropriate material type. </td> </tr> </tbody> </table>	Material		A	Aluminum - 6061-T6 3000 [†] psi • 20.7 MPa	D	Ductile Iron - D4512 5000 [†] psi • 34.5 MPa	[†] Working pressure should be considered in accordance with ISO 4413 to determine appropriate material type.		<table border="1"> <thead> <tr> <th colspan="2">Servo Pattern</th> </tr> </thead> <tbody> <tr> <td>S76</td> <td>Daman std. S76 See page 140 and Tech Info</td> </tr> </tbody> </table>	Servo Pattern		S76	Daman std. S76 See page 140 and Tech Info	<table border="1"> <thead> <tr> <th colspan="2">Product Type</th> </tr> </thead> <tbody> <tr> <td>SP</td> <td>Subplate</td> </tr> </tbody> </table>	Product Type		SP	Subplate	<table border="1"> <thead> <tr> <th colspan="2">Port Location</th> </tr> </thead> <tbody> <tr> <td>S</td> <td>Side ported</td> </tr> </tbody> </table>	Port Location		S	Side ported	<table border="1"> <thead> <tr> <th colspan="2">Port Threads</th> </tr> </thead> <tbody> <tr> <td>8S</td> <td>-8 SAE ISO 11926; SAE 1926</td> </tr> <tr> <td>8M</td> <td>M18 x 1.5 ISO 6149</td> </tr> </tbody> </table>	Port Threads		8S	-8 SAE ISO 11926; SAE 1926	8M	M18 x 1.5 ISO 6149
Material																														
A	Aluminum - 6061-T6 3000 [†] psi • 20.7 MPa																													
D	Ductile Iron - D4512 5000 [†] psi • 34.5 MPa																													
[†] Working pressure should be considered in accordance with ISO 4413 to determine appropriate material type.																														
Servo Pattern																														
S76	Daman std. S76 See page 140 and Tech Info																													
Product Type																														
SP	Subplate																													
Port Location																														
S	Side ported																													
Port Threads																														
8S	-8 SAE ISO 11926; SAE 1926																													
8M	M18 x 1.5 ISO 6149																													

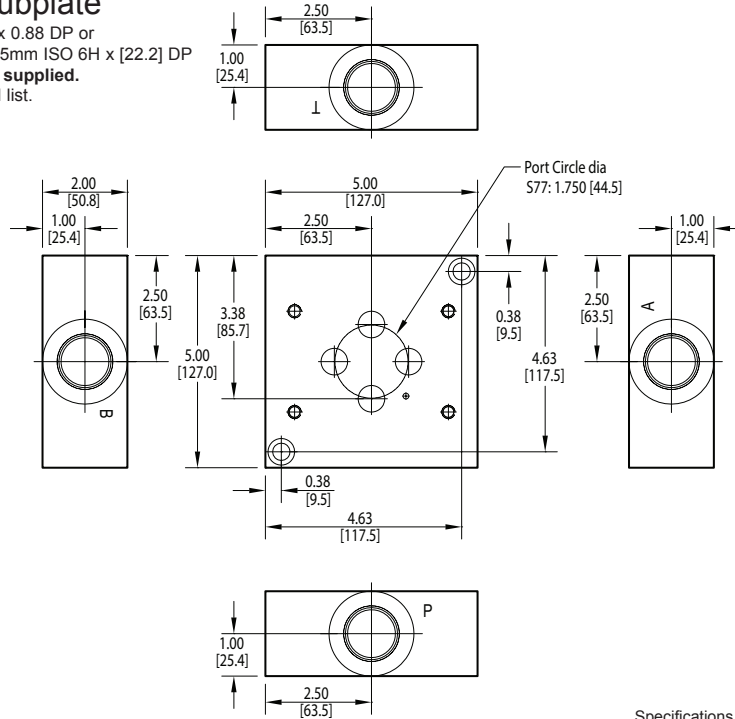
For coating options see pages 245-246.

Daman S77 Servo Subplate

1.750 Port Circle

Side Ported Subplate

Valve mtg: UNC 0.31-18 x 0.88 DP or
Metric M8-1.25mm ISO 6H x [22.2] DP
Subplate hardware kit is supplied.
See page 154 for itemized list.



Specifications, descriptions, and dimensional data are subject to correction or change without notice or incurring obligation. Download latest catalog page revisions at www.daman.com.

Ordering Information

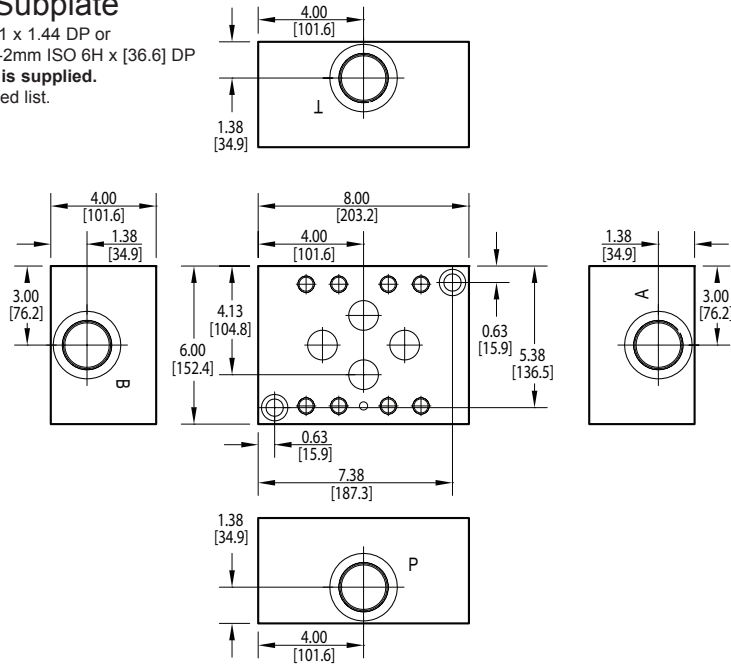
Material	Servo Valve Pattern	Product Type	Port Location	Port Threads																										
<table border="1"> <thead> <tr> <th colspan="2">Material</th> </tr> </thead> <tbody> <tr> <td>A</td> <td>Aluminum - 6061-T6 3000† psi • 20.7 MPa</td> </tr> <tr> <td>D</td> <td>Ductile Iron - D4512 5000† psi • 34.5 MPa</td> </tr> <tr> <td colspan="2">† Working pressure should be considered in accordance with ISO 4413 to determine appropriate material type.</td> </tr> </tbody> </table>	Material		A	Aluminum - 6061-T6 3000† psi • 20.7 MPa	D	Ductile Iron - D4512 5000† psi • 34.5 MPa	† Working pressure should be considered in accordance with ISO 4413 to determine appropriate material type.		<table border="1"> <thead> <tr> <th colspan="2">Servo Pattern</th> </tr> </thead> <tbody> <tr> <td>S77</td> <td>Daman S77 See page 140 and Tech Info</td> </tr> </tbody> </table>	Servo Pattern		S77	Daman S77 See page 140 and Tech Info	<table border="1"> <thead> <tr> <th colspan="2">Product Type</th> </tr> </thead> <tbody> <tr> <td>SP</td> <td>Subplate</td> </tr> </tbody> </table>	Product Type		SP	Subplate	<table border="1"> <thead> <tr> <th colspan="2">Port Location</th> </tr> </thead> <tbody> <tr> <td>S</td> <td>Side ported</td> </tr> </tbody> </table>	Port Location		S	Side ported	<table border="1"> <thead> <tr> <th colspan="2">Port Threads</th> </tr> </thead> <tbody> <tr> <td>16S</td> <td>-16 SAE ISO 11926; SAE 1926</td> </tr> <tr> <td>16M</td> <td>M33 x 2.0 ISO 6149</td> </tr> </tbody> </table>	Port Threads		16S	-16 SAE ISO 11926; SAE 1926	16M	M33 x 2.0 ISO 6149
Material																														
A	Aluminum - 6061-T6 3000† psi • 20.7 MPa																													
D	Ductile Iron - D4512 5000† psi • 34.5 MPa																													
† Working pressure should be considered in accordance with ISO 4413 to determine appropriate material type.																														
Servo Pattern																														
S77	Daman S77 See page 140 and Tech Info																													
Product Type																														
SP	Subplate																													
Port Location																														
S	Side ported																													
Port Threads																														
16S	-16 SAE ISO 11926; SAE 1926																													
16M	M33 x 2.0 ISO 6149																													

For **coating options** see pages 245-246.

Daman S78 Servo Subplate

Side Ported Subplate

Valve mtg: UNC 0.63-11 x 1.44 DP or
Metric M16-2mm ISO 6H x [36.6] DP
Subplate hardware kit is supplied.
See page 154 for itemized list.



Specifications, descriptions, and dimensional data are subject to correction or change without notice or incurring obligation. Download latest catalog page revisions at www.daman.com.

Ordering Information

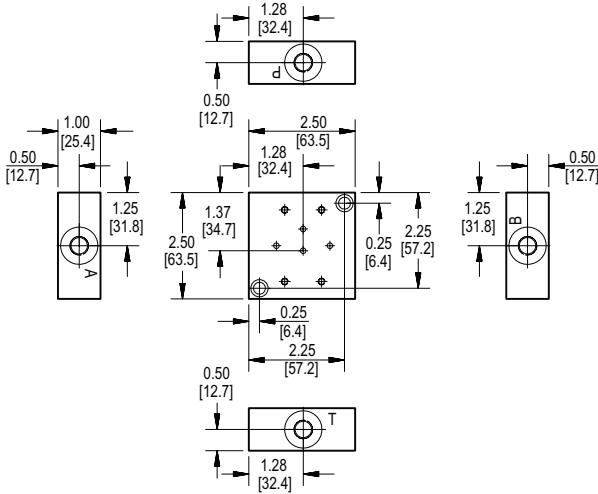
Material	Servo Valve Pattern	Product Type	Port Location	Port Threads																										
<table border="1"> <thead> <tr> <th colspan="2">Material</th> </tr> </thead> <tbody> <tr> <td>A</td> <td>Aluminum - 6061-T6 3000[†] psi • 20.7 MPa</td> </tr> <tr> <td>D</td> <td>Ductile Iron - D4512 5000[†] psi • 34.5 MPa</td> </tr> <tr> <td colspan="2">[†] Working pressure should be considered in accordance with ISO 4413 to determine appropriate material type.</td> </tr> </tbody> </table>	Material		A	Aluminum - 6061-T6 3000 [†] psi • 20.7 MPa	D	Ductile Iron - D4512 5000 [†] psi • 34.5 MPa	[†] Working pressure should be considered in accordance with ISO 4413 to determine appropriate material type.		<table border="1"> <thead> <tr> <th colspan="2">Servo Pattern</th> </tr> </thead> <tbody> <tr> <td>S78</td> <td>Daman S78 See page 140 and Tech Info</td> </tr> </tbody> </table>	Servo Pattern		S78	Daman S78 See page 140 and Tech Info	<table border="1"> <thead> <tr> <th colspan="2">Product Type</th> </tr> </thead> <tbody> <tr> <td>SP</td> <td>Subplate</td> </tr> </tbody> </table>	Product Type		SP	Subplate	<table border="1"> <thead> <tr> <th colspan="2">Port Location</th> </tr> </thead> <tbody> <tr> <td>S</td> <td>Side ported</td> </tr> </tbody> </table>	Port Location		S	Side ported	<table border="1"> <thead> <tr> <th colspan="2">Port Threads</th> </tr> </thead> <tbody> <tr> <td>24S</td> <td>-24 SAE ISO 11926; SAE 1926</td> </tr> <tr> <td>24M</td> <td>M48 x 2.0 ISO 6149</td> </tr> </tbody> </table>	Port Threads		24S	-24 SAE ISO 11926; SAE 1926	24M	M48 x 2.0 ISO 6149
Material																														
A	Aluminum - 6061-T6 3000 [†] psi • 20.7 MPa																													
D	Ductile Iron - D4512 5000 [†] psi • 34.5 MPa																													
[†] Working pressure should be considered in accordance with ISO 4413 to determine appropriate material type.																														
Servo Pattern																														
S78	Daman S78 See page 140 and Tech Info																													
Product Type																														
SP	Subplate																													
Port Location																														
S	Side ported																													
Port Threads																														
24S	-24 SAE ISO 11926; SAE 1926																													
24M	M48 x 2.0 ISO 6149																													

For coating options see pages 245-246.

Daman S82, S87 Servo Subplates

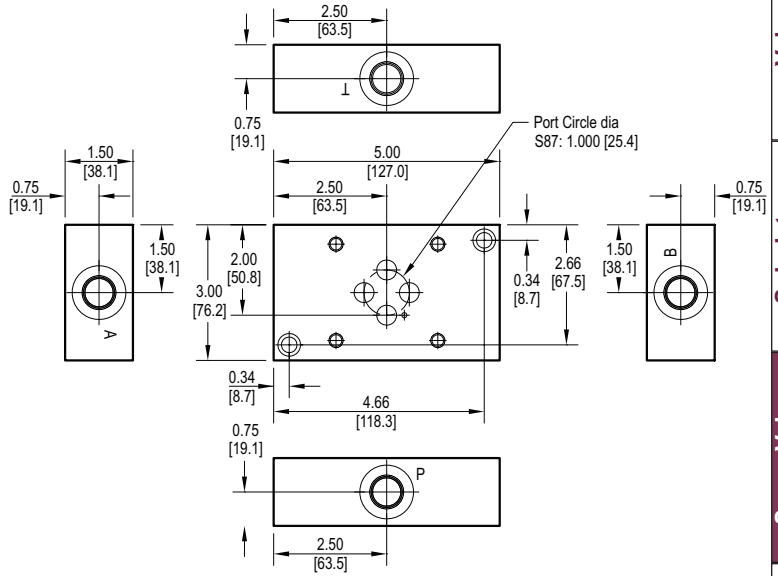
S82 Side Ported Subplate

Valve mtg: Metric M4-0.7mm ISO 6H x 0.50 [12.7] DP
 Subplate hardware kit is supplied.
 See page 154 for itemized list.



S87 Side Ported Subplate

Valve mtg: UNC 0.31-18 x 0.88 DP or
 Metric M8-1.25mm ISO 6H x [22] DP
 Subplate hardware kit is supplied.
 See page 154 for itemized list.



Specifications, descriptions, and dimensional data are subject to correction or change without notice or incurring obligation. Download latest catalog page revisions at www.daman.com.

Ordering Information

Material	Servo Valve Pattern	Product Type	Port Location	Port Threads
----------	---------------------	--------------	---------------	--------------

For **coating options** see pages 245-246.

Material	
A	Aluminum - 6061-T6 3000† psi • 20.7 MPa
D	Ductile Iron - D4512 5000† psi • 34.5 MPa

† Working pressure should be considered in accordance with ISO 4413 to determine appropriate material type.

Product Type	
SP	Subplate

Port Threads	
S82 Subplate only	
4S	-4 SAE ISO 11926; SAE 1926
4M	M10 x 1.0 ISO 6149
S87 Subplate only	
8S	-8 SAE ISO 11926; SAE 1926
8M	M18 x 1.5 ISO 6149

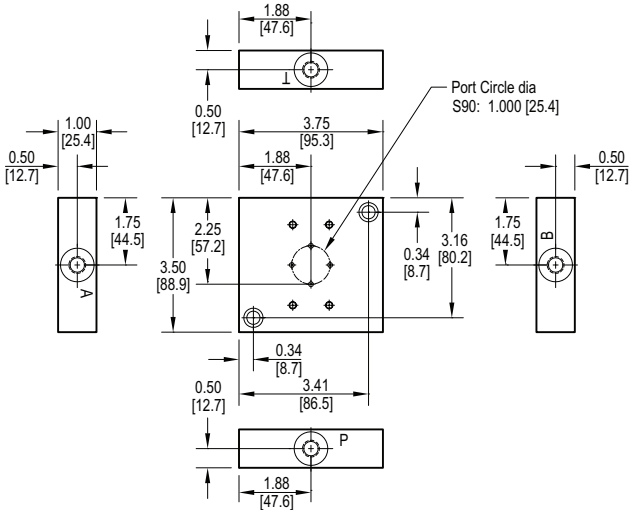
Servo Pattern	
S82	Daman S82 See page 140 and Tech Info
S87	Daman S87 See page 140 and Tech Info

Port Location	
S	Side ported

Daman S90, S92 Servo Subplate

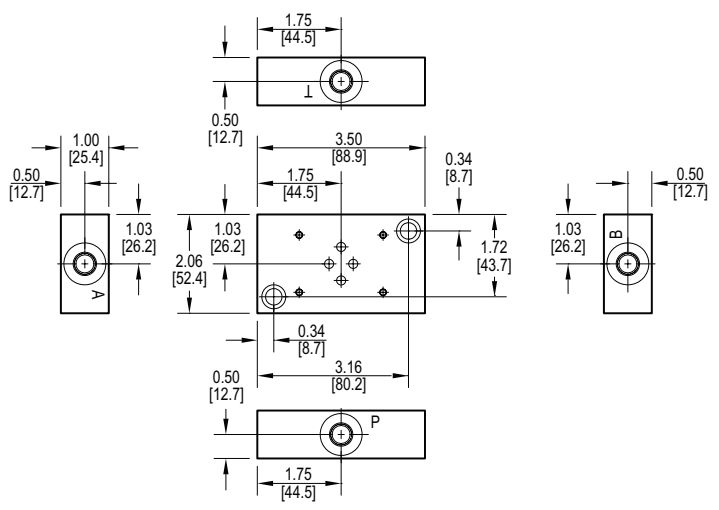
S90 Side Ported Subplate

Valve mtg: UNC #10-24 x 0.63 DP or
Metric M5-0.8mm ISO 6H x [16] DP
Subplate hardware kit is supplied.
See page 154 for itemized list.



S92 Side Ported Subplate

Valve mtg: UNC #8-32 x 0.63 DP or
Metric M4-0.7mm ISO 6H x [16] DP
Subplate hardware kit is supplied.
See page 154 for itemized list.



Specifications, descriptions, and dimensional data are subject to correction or change without notice or incurring obligation. Download latest catalog page revisions at www.daman.com.

Ordering Information

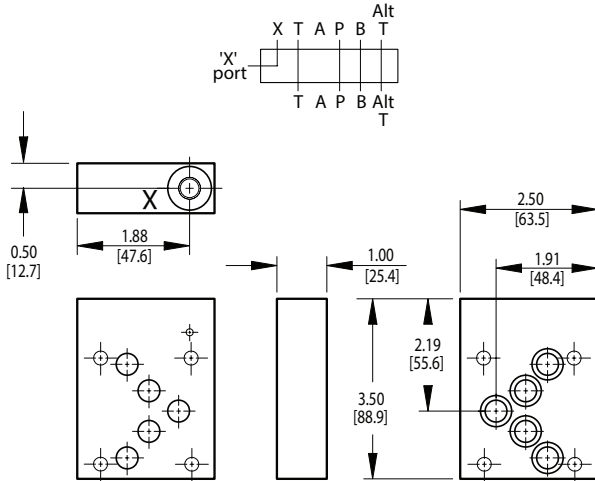
Material	Servo Valve Pattern	Product Type	Port Location	Port Threads																		
<table border="1"> <thead> <tr> <th colspan="2">Material</th> </tr> </thead> <tbody> <tr> <td>A</td> <td>Aluminum - 6061-T6 3000[†] psi • 20.7 MPa</td> </tr> <tr> <td>D</td> <td>Ductile Iron - D4512 5000[†] psi • 34.5 MPa</td> </tr> <tr> <td colspan="2"> [†] Working pressure should be considered in accordance with ISO 4413 to determine appropriate material type. </td> </tr> </tbody> </table>	Material		A	Aluminum - 6061-T6 3000 [†] psi • 20.7 MPa	D	Ductile Iron - D4512 5000 [†] psi • 34.5 MPa	[†] Working pressure should be considered in accordance with ISO 4413 to determine appropriate material type.			<table border="1"> <thead> <tr> <th colspan="2">Product Type</th> </tr> </thead> <tbody> <tr> <td>SP</td> <td>Subplate</td> </tr> </tbody> </table>	Product Type		SP	Subplate		<table border="1"> <thead> <tr> <th colspan="2">Port Threads</th> </tr> </thead> <tbody> <tr> <td>4S</td> <td>-4 SAE ISO 11926; SAE 1926</td> </tr> <tr> <td>4M</td> <td>M10 x 1.0 ISO 6149</td> </tr> </tbody> </table>	Port Threads		4S	-4 SAE ISO 11926; SAE 1926	4M	M10 x 1.0 ISO 6149
Material																						
A	Aluminum - 6061-T6 3000 [†] psi • 20.7 MPa																					
D	Ductile Iron - D4512 5000 [†] psi • 34.5 MPa																					
[†] Working pressure should be considered in accordance with ISO 4413 to determine appropriate material type.																						
Product Type																						
SP	Subplate																					
Port Threads																						
4S	-4 SAE ISO 11926; SAE 1926																					
4M	M10 x 1.0 ISO 6149																					
	<table border="1"> <thead> <tr> <th colspan="2">Servo Pattern</th> </tr> </thead> <tbody> <tr> <td>S90</td> <td>Daman S90 See page 140 and Tech Info</td> </tr> <tr> <td>S92</td> <td>Daman S92 See page 140 and Tech Info</td> </tr> </tbody> </table>	Servo Pattern		S90	Daman S90 See page 140 and Tech Info	S92	Daman S92 See page 140 and Tech Info		<table border="1"> <thead> <tr> <th colspan="2">Port Location</th> </tr> </thead> <tbody> <tr> <td>S</td> <td>Side ported</td> </tr> </tbody> </table>	Port Location		S	Side ported									
Servo Pattern																						
S90	Daman S90 See page 140 and Tech Info																					
S92	Daman S92 See page 140 and Tech Info																					
Port Location																						
S	Side ported																					

For coating options see pages 245-246.

D05 Servo Valve Tapping Plates

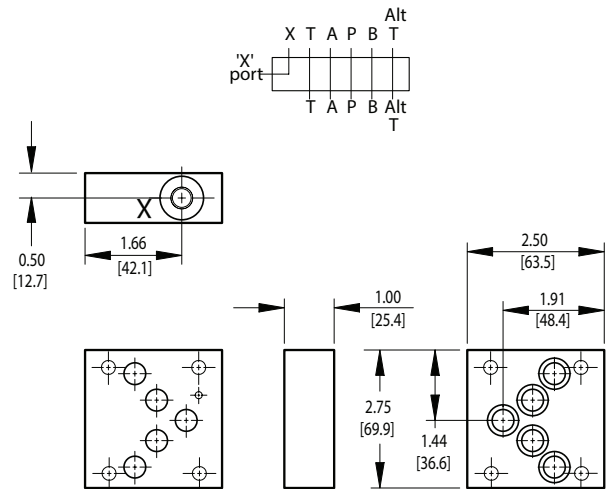
D05-S1, D05-S2, D05-S3 Pilot Port Tapping Plate

Subplate interface seal kit is supplied.
See page 154 for itemized list.



D05-S4 Pilot Port Tapping Plate

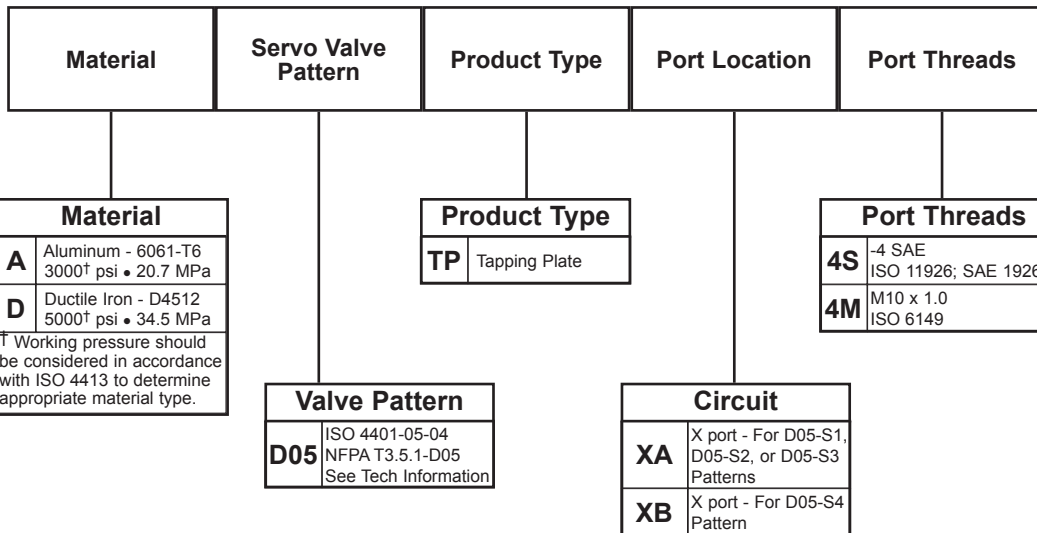
Subplate interface seal kit is supplied.
See page 154 for itemized list.



Note: These tapping plates are designed to be used with standard D05 manifolds or subplates. They provide an external pilot port for the servo valves referenced. If the servo valve uses an internal pilot, these tapping plates are not needed. The servo valve may be mounted directly to our D05 manifold or subplate.

Specifications, descriptions, and dimensional data are subject to correction or change without notice or incurring obligation. Download latest catalog page revisions at www.daman.com.

Ordering Information



For **coating options** see pages 245-246.

Servo Valve Product Mounting Hardware

Part no.	Cat. pg.	Mounting Screws	Viton O-rings	Locating Pins	Plugs
* S01 SP S 4S * S01 SP S 4M	142	(2) UNC 0.25-20 x 0.88 long SHCS (2) ISO 6H M6-1.0 x 22mm SHCS	n/a	n/a	n/a
* S02 SP S 8S * S03 SP S 8S * S71 SP S 8S * S72 SP S 8S * S83 SP S 8S * S85 SP S 8S	143	(2) UNC 0.31-18 x 1.25 long SHCS	n/a	n/a	n/a
* S02 SP S 8M * S03 SP S 8M * S71 SP S 8M * S72 SP S 8M * S83 SP S 8M * S85 SP S 8M	143	(2) ISO 6H M8-1.25 x 35mm SHCS	n/a	n/a	n/a
* S02 TP X 4* * S71 TP X 4*	143	n/a	(4) -010 (4) -011	(1) 0.09 dia x 0.25 long	n/a
* S04 SP S 12S * S04 SP S 12M	144	(2) UNC 0.31-18 x 2.00 long SHCS (2) ISO 6H M8-1.25 x 50mm SHCS	n/a	n/a	n/a
* S04 TP X 4S	144	n/a	(4) -013	(1) 0.12 dia x 0.25 long	(1) -4 SAE hex socket plug
* S04 TP X 4M	144	n/a	(4) -013	(1) 0.12 dia x 0.25 long	n/a
* S06 SP S 20S * S06 SP S 20M	145	(2) UNC 0.38-16 x 2.50 long SHCS (2) ISO 6H M10-1.5 x 65mm SHCS	n/a	n/a	n/a
* S06 TP X 4*	145	n/a	(4) -020	(1) 0.25 dia x 0.38 long	n/a
* S73 SP S 8S * S73 SP S 8M	146	(2) UNC 0.31-18 x 1.25 long SHCS (2) ISO 6H M8-1.25 x 35mm SHCS	n/a	n/a	n/a
* S74 SP S 16S * S74 SP S 16M	147	(2) UNC 0.38-16 x 3.00 long SHCS (2) ISO 6H M10-1.5 x 75mm SHCS	n/a	n/a	n/a
* S76 SP S 8S * S76 SP S 8M	148	(2) UNC 0.31-18 x 1.25 long SHCS (2) ISO 6H M8-1.25 x 35mm SHCS	n/a	n/a	n/a
* S77 SP S 16S * S77 SP S 16M	149	(2) UNC 0.38-16 x 2.00 long SHCS (2) ISO 6H M10-1.5 x 50mm SHCS	n/a	n/a	n/a
* S78 SP S 24S * S78 SP S 24M	150	(2) UNC 0.62-11 x 4.00 long SHCS (2) ISO 6H M16-2.0 x 100mm SHCS	n/a	n/a	n/a
* S82 SP S 4S * S82 SP S 4M	151	(2) UNC 0.25-20 x 1.00 long SHCS (2) ISO 6H M6-1.0 x 25mm SHCS	n/a	n/a	n/a
* S87 SP S 8S * S87 SP S 8M	151	(2) UNC 0.31-18 x 1.50 long SHCS (2) ISO 6H M8-1.25 x 40mm SHCS	n/a	n/a	n/a
* S90 SP S 4S * S90 SP S 4M	152	(2) UNC 0.31-18 x 1.25 long SHCS (2) ISO 6H M8-1.25 x 35mm SHCS	n/a	n/a	n/a
* S92 SP S 4S * S92 SP S 4M	152	(2) UNC 0.31-18 x 1.25 long SHCS (2) ISO 6H M8-1.25 x 35mm SHCS	n/a	n/a	n/a
* D05 TP XA 4* * D05 TP XB 4*	153	n/a	(5) -014	n/a	n/a

TAPPING PLATES

D03 Tapping Plates	Pages 158-160
D05 Tapping Plates	Pages 161-163
D05 Tapping Plates with Pilot Ports	Pages 164-168
D07 Tapping Plates	Pages 169-172
D08 Tapping Plates	Pages 173-176
D10 Tapping Plates	Page 177
Mounting Hardware	Page 180



Tapping Plates

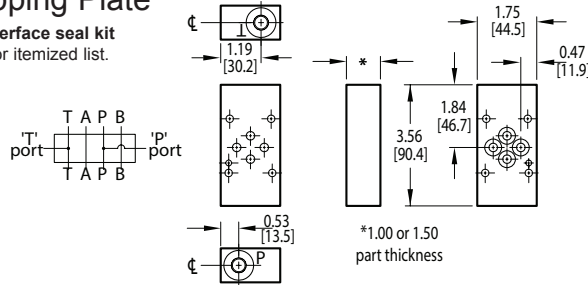
The pages in this section are our standard product offerings for tapping plates. If you need a custom tapping plate solution please visit www.daman.com for Request For Quote (RFQ) instructions.

Standard Manifolds
Cover Plates
Valve Adaptors
Subplates
Servo Valve Subplates
Tapping Plates
Cartridge Valve Cavity Bodies
Header and Junction Blocks
Sandwich Modules
Technical Information

D03 Tapping Plates

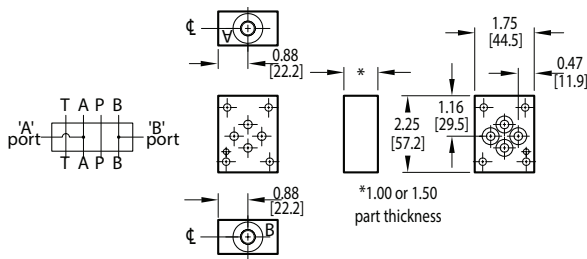
P and T Port Tapping Plate

Tapping Plate hardware / interface seal kit is supplied. See page 180 for itemized list.



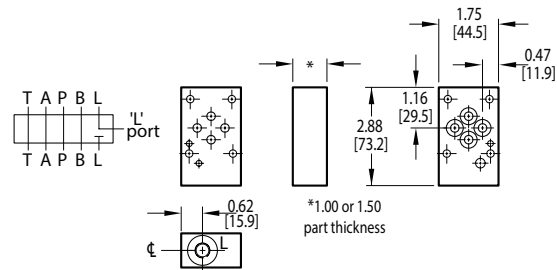
A and B Port Tapping Plate

Tapping Plate hardware / interface seal kit is supplied. See page 180 for itemized list.



L Port Tapping Plate

Tapping Plate hardware / interface seal kit is supplied. See page 180 for itemized list.



Specifications, descriptions, and dimensional data are subject to correction or change without notice or incurring obligation. Download latest catalog page revisions at www.daman.com.

Ordering Information

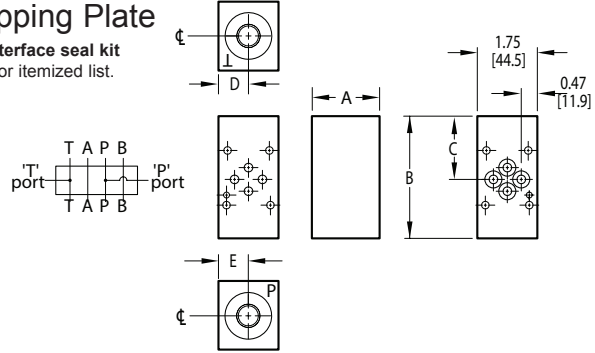
For **coating options** see pages 245-246.

Material	Valve Pattern	Product Type	Circuit	Port Threads	Thickness																																										
<table border="1"> <thead> <tr> <th colspan="2">Material</th> </tr> </thead> <tbody> <tr> <td>A</td> <td>Aluminum - 6061-T6 3000[†] psi • 20.7 MPa</td> </tr> <tr> <td>D</td> <td>Ductile Iron - D4512 5000[†] psi • 34.5 MPa</td> </tr> <tr> <td colspan="2"> [†] Working pressure should be considered in accordance with ISO 4413 to determine appropriate material type. </td> </tr> </tbody> </table>	Material		A	Aluminum - 6061-T6 3000 [†] psi • 20.7 MPa	D	Ductile Iron - D4512 5000 [†] psi • 34.5 MPa	[†] Working pressure should be considered in accordance with ISO 4413 to determine appropriate material type.		<table border="1"> <thead> <tr> <th colspan="2">Valve Pattern</th> </tr> </thead> <tbody> <tr> <td>D03</td> <td>ISO 4401-03-02 NFA T3.5.1-D03 See Tech Infomation</td> </tr> </tbody> </table>	Valve Pattern		D03	ISO 4401-03-02 NFA T3.5.1-D03 See Tech Infomation	<table border="1"> <thead> <tr> <th colspan="2">Product Type</th> </tr> </thead> <tbody> <tr> <td>TP</td> <td>Tapping Plate</td> </tr> </tbody> </table>	Product Type		TP	Tapping Plate	<table border="1"> <thead> <tr> <th colspan="2">Circuit</th> </tr> </thead> <tbody> <tr> <td>PT</td> <td>P and T ports provided</td> </tr> <tr> <td>AB</td> <td>A and B ports provided</td> </tr> <tr> <td>L</td> <td>L port provided</td> </tr> </tbody> </table>	Circuit		PT	P and T ports provided	AB	A and B ports provided	L	L port provided	<table border="1"> <thead> <tr> <th colspan="2">Port Threads</th> </tr> </thead> <tbody> <tr> <td>4P</td> <td>0.25-18 NPTF ANSI B1.20.3</td> </tr> <tr> <td>4S</td> <td>-4 SAE ISO 11926; SAE 1926</td> </tr> <tr> <td>4B</td> <td>0.25-19 BSPP ISO 1179; BS 2779</td> </tr> <tr> <td>4M</td> <td>M10 x 1.0 ISO 6149</td> </tr> <tr> <td>4T</td> <td>0.25-19 BSPT ISO 7; BS 21</td> </tr> </tbody> </table> <p>For larger ports, see next page (p. 158.1).</p>	Port Threads		4P	0.25-18 NPTF ANSI B1.20.3	4S	-4 SAE ISO 11926; SAE 1926	4B	0.25-19 BSPP ISO 1179; BS 2779	4M	M10 x 1.0 ISO 6149	4T	0.25-19 BSPT ISO 7; BS 21	<table border="1"> <thead> <tr> <th colspan="2">Thickness</th> </tr> </thead> <tbody> <tr> <td>150</td> <td>For 1.5" thickness</td> </tr> <tr> <td colspan="2">OMIT for standard 1" thickness</td> </tr> </tbody> </table>	Thickness		150	For 1.5" thickness	OMIT for standard 1" thickness	
Material																																															
A	Aluminum - 6061-T6 3000 [†] psi • 20.7 MPa																																														
D	Ductile Iron - D4512 5000 [†] psi • 34.5 MPa																																														
[†] Working pressure should be considered in accordance with ISO 4413 to determine appropriate material type.																																															
Valve Pattern																																															
D03	ISO 4401-03-02 NFA T3.5.1-D03 See Tech Infomation																																														
Product Type																																															
TP	Tapping Plate																																														
Circuit																																															
PT	P and T ports provided																																														
AB	A and B ports provided																																														
L	L port provided																																														
Port Threads																																															
4P	0.25-18 NPTF ANSI B1.20.3																																														
4S	-4 SAE ISO 11926; SAE 1926																																														
4B	0.25-19 BSPP ISO 1179; BS 2779																																														
4M	M10 x 1.0 ISO 6149																																														
4T	0.25-19 BSPT ISO 7; BS 21																																														
Thickness																																															
150	For 1.5" thickness																																														
OMIT for standard 1" thickness																																															

D03 Tapping Plates - Large Ports

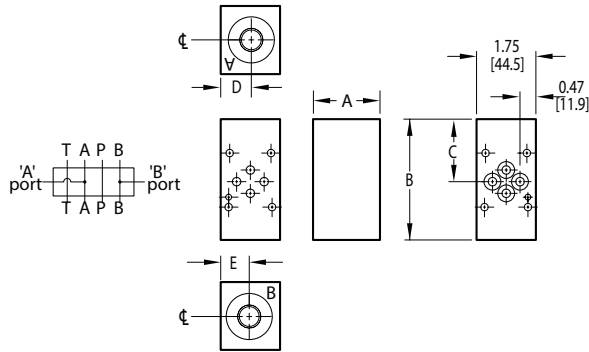
P and T Port Tapping Plate

Tapping Plate hardware / interface seal kit is supplied. See page 180 for itemized list.



A and B Port Tapping Plate

Tapping Plate hardware / interface seal kit is supplied. See page 180 for itemized list.



Dimension	A	B	C	D	E
D03TPPT6	2.00 [50.8]	4.25 [108.0]	1.81 [46.0]	0.88 [22.4]	0.88 [22.4]
D03TPAB6					
D03TPPT8	2.50 [63.5]	4.25 [108.0]	1.81 [46.0]	0.88 [22.4]	0.88 [22.4]
D03TPAB8					
D03TPPT12	3.00 [76.2]	4.75 [120.7]	2.06 [52.3]	0.88 [22.4]	0.88 [22.4]
D03TPAB12					

Ordering Information

For coating options see pages 245-246.



Material	
A	Aluminum - 6061-T6 3000† psi • 20.7 MPa
D	Ductile Iron - D4512 5000† psi • 34.5 MPa

† Working pressure should be considered in accordance with ISO 4413 to determine appropriate material type.

Product Type	
TP	Tapping Plate

Valve Pattern	
D03	ISO 4401-03-02 NFPA T3.5.1-D03 See Tech Information

Circuit	
PT	P and T ports provided
AB	A and B ports provided

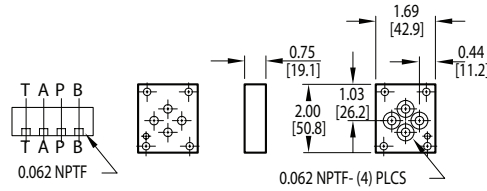
Port Threads			
6P	0.38-18 NPTF ANSI B1.20.3	8P	0.50-14 NPTF ANSI B1.20.3
6S	-6 SAE ISO 11926; SAE 1926	8S	-8 SAE ISO 11926; SAE 1926
6B	0.38-19 BSPP ISO 1179; BS 2779	8B	0.50-14 BSPP ISO 1179; BS 2779
6M	M14 x 1.5 ISO 6149	8M	M18 x 1.5 ISO 6149
6T	0.38-19 BSPT ISO 7; BS 21	8T	0.50-14 BSPT ISO 7; BS 21
12P	0.75-14 NPTF ANSI B1.20.3	12S	-12 SAE ISO 11926; SAE 1926
12B	0.75-14 BSPP ISO 1179; BS 2779	12M	M27 x 2.0 ISO 6149
12T	0.75-14 BSPT ISO 7; BS 21		

For smaller ports, see previous page (p. 158).

D03 Tapping Plates

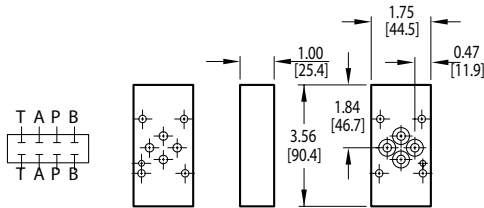
Orifice Tapping Plate

Tapping Plate hardware / interface seal kit is supplied. See page 180 for itemized list.



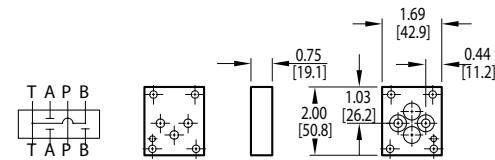
Spot Drilled Tapping Plate

Tapping Plate hardware / interface seal kit is supplied. See page 180 for itemized list.



B to T vent Tapping Plate

Tapping Plate hardware / interface seal kit is supplied. See page 180 for itemized list.



Specifications, descriptions, and dimensional data are subject to correction or change without notice or incurring obligation. Download latest catalog page revisions at www.daman.com.

Ordering Information

Material	Valve Pattern	Product Type	Circuit
----------	---------------	--------------	---------

For **coating options** see pages 245-246.

Material	
A	Aluminum - 6061-T6 3000 [†] psi • 20.7 MPa
D	Ductile Iron - D4512 5000 [†] psi • 34.5 MPa

[†] Working pressure should be considered in accordance with ISO 4413 to determine appropriate material type.

Product Type	
TP	Tapping Plate

Valve Pattern	
D03	ISO 4401-03-02 NFPA T3.5.1-D03 See Tech Infomation

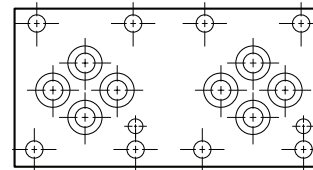
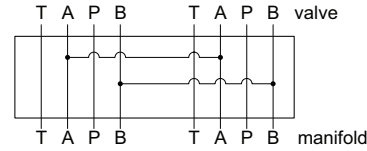
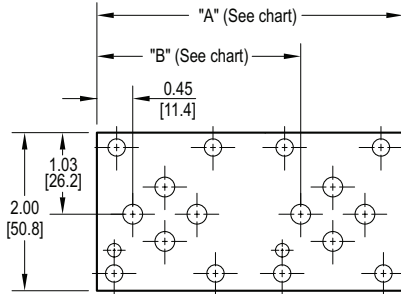
Circuit	
SD	Spot drilled ports
OP	Orifice plate
BTV	B to T vent plate

D03 Tapping Plates

D03 Two Station Tapping Plate

A₁ common to A₂, B₁ common to B₂

Tapping Plate hardware / interface seal kit is supplied. See page 180 for itemized list.



Dimension	A	B
*D03TP022AB	3.88 [98.6]	2.58 [65.5]
*D03TP024AB	5.75 [146.1]	4.45 [113.1]
L*D03TP022AB	3.75 [95.3]	2.45 [62.3]

There are two different tapping plate models with spacing code 2 available. This is necessary to cover the variation of valve spacing between the standard design and the FlexMount design of D03 manifolds. The standard manifold design has 2.125" valve spacing while the FlexMount design has 2.000" valve spacing. An L is added to the front of the model number to denote the tapping plate designed to be used with the FlexMount manifold. Note that a single model is required with spacing code 4 as both the standard and FlexMount designs have 4.000" spacing.

Specifications, descriptions, and dimensional data are subject to correction or change without notice or incurring obligation. Download latest catalog page revisions at www.daman.com.

Ordering Information

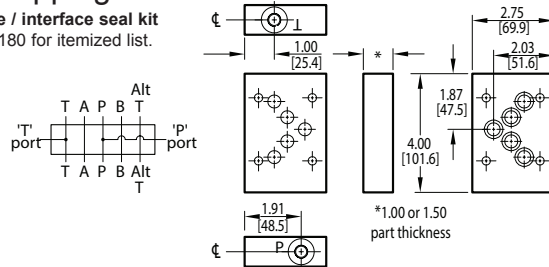
For **coating options** see pages 245-246.

Product Line	Material	Valve Pattern	Product Type	No. of Stations	Valve Spacing	Circuit																																				
<table border="1"> <tr> <th colspan="2">Product Line</th> </tr> <tr> <td>Omit</td> <td>For use with standard design D03 manifold.</td> </tr> <tr> <td>L</td> <td>For use with FlexMount D03 manifold. Spacing code 2 only.</td> </tr> </table>	Product Line		Omit	For use with standard design D03 manifold.	L	For use with FlexMount D03 manifold. Spacing code 2 only.	<table border="1"> <tr> <th colspan="2">Material</th> </tr> <tr> <td>A</td> <td>Aluminum - 6061-T6 3000† psi • 20.7 MPa</td> </tr> <tr> <td>D</td> <td>Ductile Iron - D4512 5000† psi • 34.5 MPa</td> </tr> <tr> <td colspan="2">† Working pressure should be considered in accordance with ISO 4413 to determine appropriate material type.</td> </tr> </table>	Material		A	Aluminum - 6061-T6 3000† psi • 20.7 MPa	D	Ductile Iron - D4512 5000† psi • 34.5 MPa	† Working pressure should be considered in accordance with ISO 4413 to determine appropriate material type.		<table border="1"> <tr> <th colspan="2">Valve Pattern</th> </tr> <tr> <td>D03</td> <td>ISO 4401-03-02 NFPA T3.5.1-D03 See Tech Information</td> </tr> </table>	Valve Pattern		D03	ISO 4401-03-02 NFPA T3.5.1-D03 See Tech Information	<table border="1"> <tr> <th colspan="2">Product Type</th> </tr> <tr> <td>TP</td> <td>Tapping Plate</td> </tr> </table>	Product Type		TP	Tapping Plate	<table border="1"> <tr> <th colspan="2">No. of Stations</th> </tr> <tr> <td>02</td> <td>02 Stations</td> </tr> </table>	No. of Stations		02	02 Stations	<table border="1"> <tr> <th colspan="2">Valve Spacing</th> </tr> <tr> <td>2</td> <td>L*D03TP022AB = 2.00 inch (50.8 mm) *D03TP022AB = 2.13 inch (54.0 mm)</td> </tr> <tr> <td>4</td> <td>4.00 inch (101.6 mm) Not available with L.</td> </tr> </table>	Valve Spacing		2	L*D03TP022AB = 2.00 inch (50.8 mm) *D03TP022AB = 2.13 inch (54.0 mm)	4	4.00 inch (101.6 mm) Not available with L.	<table border="1"> <tr> <th colspan="2">Circuit</th> </tr> <tr> <td>AB</td> <td>A1 common to A2 B1 common to B2</td> </tr> </table>	Circuit		AB	A1 common to A2 B1 common to B2
Product Line																																										
Omit	For use with standard design D03 manifold.																																									
L	For use with FlexMount D03 manifold. Spacing code 2 only.																																									
Material																																										
A	Aluminum - 6061-T6 3000† psi • 20.7 MPa																																									
D	Ductile Iron - D4512 5000† psi • 34.5 MPa																																									
† Working pressure should be considered in accordance with ISO 4413 to determine appropriate material type.																																										
Valve Pattern																																										
D03	ISO 4401-03-02 NFPA T3.5.1-D03 See Tech Information																																									
Product Type																																										
TP	Tapping Plate																																									
No. of Stations																																										
02	02 Stations																																									
Valve Spacing																																										
2	L*D03TP022AB = 2.00 inch (50.8 mm) *D03TP022AB = 2.13 inch (54.0 mm)																																									
4	4.00 inch (101.6 mm) Not available with L.																																									
Circuit																																										
AB	A1 common to A2 B1 common to B2																																									

D05 Tapping Plates

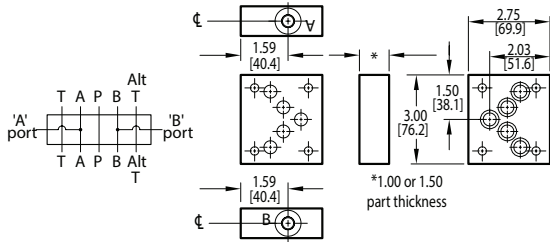
P and T Port Tapping Plate

Tapping Plate hardware / interface seal kit is supplied. See page 180 for itemized list.



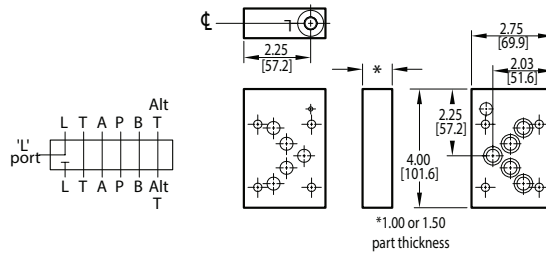
A and B Port Tapping Plate

Tapping Plate hardware / interface seal kit is supplied. See page 180 for itemized list.



L Port Tapping Plate

Tapping Plate interface seal kit is supplied. See page 180 for itemized list.



Specifications, descriptions, and dimensional data are subject to correction or change without notice or incurring obligation. Download latest catalog page revisions at www.daman.com.

Ordering Information

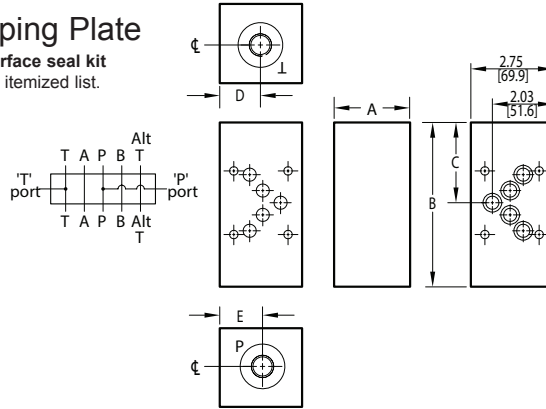
For **coating options** see pages 245-246.

Material	Valve Pattern	Product Type	Circuit	Port Threads	Thickness																																										
<table border="1"> <thead> <tr> <th colspan="2">Material</th> </tr> </thead> <tbody> <tr> <td>A</td> <td>Aluminum - 6061-T6 3000[†] psi • 20.7 MPa</td> </tr> <tr> <td>D</td> <td>Ductile Iron - D4512 5000[†] psi • 34.5 MPa</td> </tr> <tr> <td colspan="2"> [†] Working pressure should be considered in accordance with ISO 4413 to determine appropriate material type. </td> </tr> </tbody> </table>	Material		A	Aluminum - 6061-T6 3000 [†] psi • 20.7 MPa	D	Ductile Iron - D4512 5000 [†] psi • 34.5 MPa	[†] Working pressure should be considered in accordance with ISO 4413 to determine appropriate material type.		<table border="1"> <thead> <tr> <th colspan="2">Valve Pattern</th> </tr> </thead> <tbody> <tr> <td>D05</td> <td>ISO 4401-05-04 NFFA T3.5.1-D05 See Tech Infomation</td> </tr> </tbody> </table>	Valve Pattern		D05	ISO 4401-05-04 NFFA T3.5.1-D05 See Tech Infomation	<table border="1"> <thead> <tr> <th colspan="2">Product Type</th> </tr> </thead> <tbody> <tr> <td>TP</td> <td>Tapping Plate</td> </tr> </tbody> </table>	Product Type		TP	Tapping Plate	<table border="1"> <thead> <tr> <th colspan="2">Circuit</th> </tr> </thead> <tbody> <tr> <td>PT</td> <td>P and T ports provided</td> </tr> <tr> <td>AB</td> <td>A and B ports provided</td> </tr> <tr> <td>L</td> <td>L port provided</td> </tr> </tbody> </table>	Circuit		PT	P and T ports provided	AB	A and B ports provided	L	L port provided	<table border="1"> <thead> <tr> <th colspan="2">Port Threads</th> </tr> </thead> <tbody> <tr> <td>4P</td> <td>0.25-18 NPTF ANSI B1.20.3</td> </tr> <tr> <td>4S</td> <td>-4 SAE ISO 11926; SAE 1926</td> </tr> <tr> <td>4B</td> <td>0.25-19 BSPP ISO 1179; BS 2779</td> </tr> <tr> <td>4M</td> <td>M10 x 1.0 ISO 6149</td> </tr> <tr> <td>4T</td> <td>0.25-19 BSPT ISO 7; BS 21</td> </tr> </tbody> </table> <p>For larger ports, see next page (p. 161.1).</p>	Port Threads		4P	0.25-18 NPTF ANSI B1.20.3	4S	-4 SAE ISO 11926; SAE 1926	4B	0.25-19 BSPP ISO 1179; BS 2779	4M	M10 x 1.0 ISO 6149	4T	0.25-19 BSPT ISO 7; BS 21	<table border="1"> <thead> <tr> <th colspan="2">Thickness</th> </tr> </thead> <tbody> <tr> <td>150</td> <td>For 1.5" thickness</td> </tr> <tr> <td colspan="2">OMIT for standard 1" thickness</td> </tr> </tbody> </table>	Thickness		150	For 1.5" thickness	OMIT for standard 1" thickness	
Material																																															
A	Aluminum - 6061-T6 3000 [†] psi • 20.7 MPa																																														
D	Ductile Iron - D4512 5000 [†] psi • 34.5 MPa																																														
[†] Working pressure should be considered in accordance with ISO 4413 to determine appropriate material type.																																															
Valve Pattern																																															
D05	ISO 4401-05-04 NFFA T3.5.1-D05 See Tech Infomation																																														
Product Type																																															
TP	Tapping Plate																																														
Circuit																																															
PT	P and T ports provided																																														
AB	A and B ports provided																																														
L	L port provided																																														
Port Threads																																															
4P	0.25-18 NPTF ANSI B1.20.3																																														
4S	-4 SAE ISO 11926; SAE 1926																																														
4B	0.25-19 BSPP ISO 1179; BS 2779																																														
4M	M10 x 1.0 ISO 6149																																														
4T	0.25-19 BSPT ISO 7; BS 21																																														
Thickness																																															
150	For 1.5" thickness																																														
OMIT for standard 1" thickness																																															

D05 Tapping Plates - Large Ports

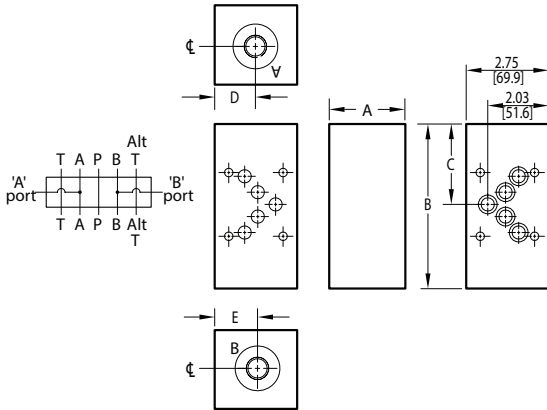
P and T Port Tapping Plate

Tapping Plate hardware / interface seal kit is supplied. See page 180 for itemized list.



A and B Port Tapping Plate

Tapping Plate hardware / interface seal kit is supplied. See page 180 for itemized list.



Dimension	A	B	C	D	E
D05TPPT6	2.00 [50.8]	5.63 [143.0]	2.75 [69.9]	1.06 [26.9]	1.56 [39.6]
D05TPAB6	2.00 [50.8]	5.63 [143.0]	2.75 [69.9]	1.63 [41.4]	1.63 [41.4]
D05TPPT8	2.50 [63.5]	5.63 [143.0]	2.75 [69.9]	1.06 [26.9]	1.56 [39.6]
D05TPAB8	2.50 [63.5]	5.63 [143.0]	2.75 [69.9]	1.63 [41.4]	1.63 [41.4]
D05TPPT12	3.00 [76.2]	5.63 [143.0]	2.75 [69.9]	1.06 [26.9]	1.56 [39.6]
D05TPAB12	3.00 [76.2]	5.63 [143.0]	2.75 [69.9]	1.63 [41.4]	1.63 [41.4]

Ordering Information

For coating options see pages 245-246.



Material	
A	Aluminum - 6061-T6 3000† psi • 20.7 MPa
D	Ductile Iron - D4512 5000† psi • 34.5 MPa

† Working pressure should be considered in accordance with ISO 4413 to determine appropriate material type.

Product Type	
TP	Tapping Plate

Valve Pattern	
D05	ISO 4401-05-04 NFPA T3.5.1-D05 See Tech Information

Circuit	
PT	P and T ports provided
AB	A and B ports provided

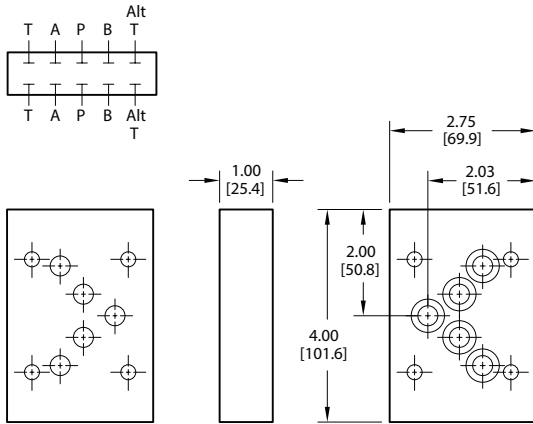
Port Threads			
6P	0.38-18 NPTF ANSI B1.20.3	8P	0.50-14 NPTF ANSI B1.20.3
6S	-6 SAE ISO 11926; SAE 1926	8S	-8 SAE ISO 11926; SAE 1926
6B	0.38-19 BSPP ISO 1179; BS 2779	8B	0.50-14 BSPP ISO 1179; BS 2779
6M	M14 x 1.5 ISO 6149	8M	M18 x 1.5 ISO 6149
6T	0.38-19 BSPT ISO 7; BS 21	8T	0.50-14 BSPT ISO 7; BS 21
12P	0.75-14 NPTF ANSI B1.20.3	12S	-12 SAE ISO 11926; SAE 1926
12B	0.75-14 BSPP ISO 1179; BS 2779	12M	M27 x 2.0 ISO 6149
12T	0.75-14 BSPT ISO 7; BS 21		

For smaller ports, see previous page (p. 161).

D05 Tapping Plates

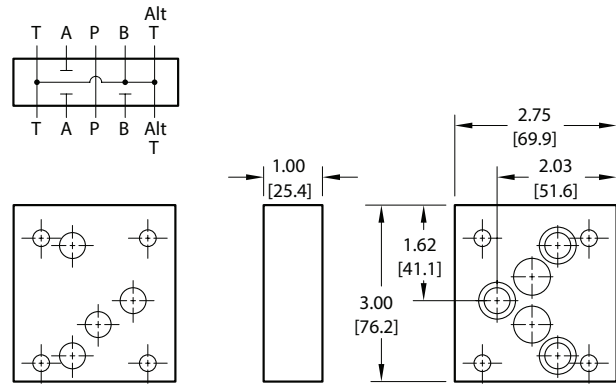
Spot Drilled Tapping Plate

Tapping Plate interface seal kit is supplied.
See page 180 for itemized list.



B to T vent Tapping Plate

Tapping Plate interface seal kit is supplied.
See page 180 for itemized list.



Specifications, descriptions, and dimensional data are subject to correction or change without notice or incurring obligation. Download latest catalog page revisions at www.daman.com.

Ordering Information

Material	Valve Pattern	Product Type	Circuit																						
<table border="1"> <thead> <tr> <th colspan="2">Material</th> </tr> </thead> <tbody> <tr> <td>A</td> <td>Aluminum - 6061-T6 3000[†] psi • 20.7 MPa</td> </tr> <tr> <td>D</td> <td>Ductile Iron - D4512 5000[†] psi • 34.5 MPa</td> </tr> <tr> <td colspan="2"> [†] Working pressure should be considered in accordance with ISO 4413 to determine appropriate material type. </td> </tr> </tbody> </table>	Material		A	Aluminum - 6061-T6 3000 [†] psi • 20.7 MPa	D	Ductile Iron - D4512 5000 [†] psi • 34.5 MPa	[†] Working pressure should be considered in accordance with ISO 4413 to determine appropriate material type.		<table border="1"> <thead> <tr> <th colspan="2">Valve Pattern</th> </tr> </thead> <tbody> <tr> <td>D05</td> <td>ISO 4401-05-04 NFPA T3.5.1-D05 See Tech Infomation</td> </tr> </tbody> </table>	Valve Pattern		D05	ISO 4401-05-04 NFPA T3.5.1-D05 See Tech Infomation	<table border="1"> <thead> <tr> <th colspan="2">Product Type</th> </tr> </thead> <tbody> <tr> <td>TP</td> <td>Tapping Plate</td> </tr> </tbody> </table>	Product Type		TP	Tapping Plate	<table border="1"> <thead> <tr> <th colspan="2">Circuit</th> </tr> </thead> <tbody> <tr> <td>SD</td> <td>Spot drilled ports</td> </tr> <tr> <td>BTV</td> <td>B to T vent plate</td> </tr> </tbody> </table>	Circuit		SD	Spot drilled ports	BTV	B to T vent plate
Material																									
A	Aluminum - 6061-T6 3000 [†] psi • 20.7 MPa																								
D	Ductile Iron - D4512 5000 [†] psi • 34.5 MPa																								
[†] Working pressure should be considered in accordance with ISO 4413 to determine appropriate material type.																									
Valve Pattern																									
D05	ISO 4401-05-04 NFPA T3.5.1-D05 See Tech Infomation																								
Product Type																									
TP	Tapping Plate																								
Circuit																									
SD	Spot drilled ports																								
BTV	B to T vent plate																								

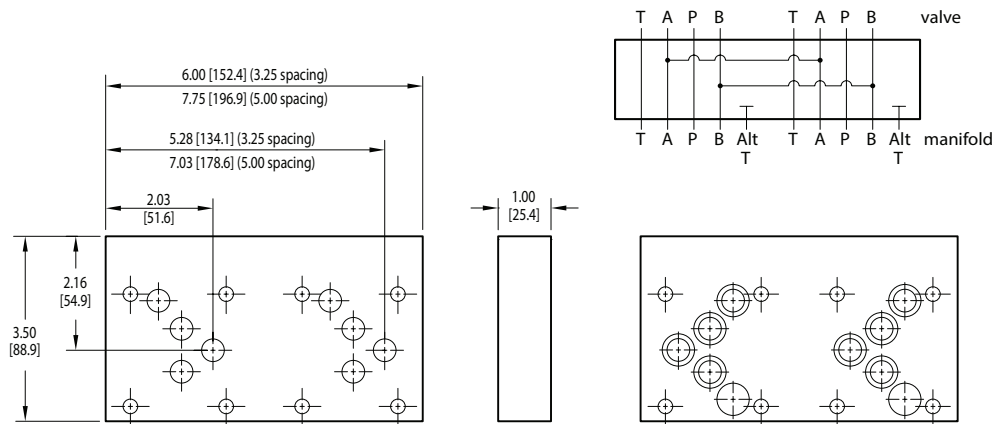
For coating options
see pages 245-246.

D05 Tapping Plates

D05 Two Station Tapping Plate

A₁ common to A₂, B₁ common to B₂

Tapping Plate interface seal kit is supplied.
See page 180 for itemized list.



Specifications, descriptions, and dimensional data are subject to correction or change without notice or incurring obligation. Download latest catalog page revisions at www.daman.com.

Ordering Information

For **coating options** see pages 245-246.

Material	Valve Pattern	Product Type	No. of Stations	Valve Spacing	Circuit																														
<table border="1"> <thead> <tr> <th colspan="2">Material</th> </tr> </thead> <tbody> <tr> <td>A</td> <td>Aluminum - 6061-T6 3000[†] psi • 20.7 MPa</td> </tr> <tr> <td>D</td> <td>Ductile Iron - D4512 5000[†] psi • 34.5 MPa</td> </tr> <tr> <td colspan="2">[†] Working pressure should be considered in accordance with ISO 4413 to determine appropriate material type.</td> </tr> </tbody> </table>	Material		A	Aluminum - 6061-T6 3000 [†] psi • 20.7 MPa	D	Ductile Iron - D4512 5000 [†] psi • 34.5 MPa	[†] Working pressure should be considered in accordance with ISO 4413 to determine appropriate material type.		<table border="1"> <thead> <tr> <th colspan="2">Valve Pattern</th> </tr> </thead> <tbody> <tr> <td>D05</td> <td>ISO 4401-05-04 NFPA T3.5.1-D05 See Tech Information</td> </tr> </tbody> </table>	Valve Pattern		D05	ISO 4401-05-04 NFPA T3.5.1-D05 See Tech Information	<table border="1"> <thead> <tr> <th colspan="2">Product Type</th> </tr> </thead> <tbody> <tr> <td>TP</td> <td>Tapping Plate</td> </tr> </tbody> </table>	Product Type		TP	Tapping Plate	<table border="1"> <thead> <tr> <th colspan="2">No. of Stations</th> </tr> </thead> <tbody> <tr> <td>02</td> <td>02 Stations</td> </tr> </tbody> </table>	No. of Stations		02	02 Stations	<table border="1"> <thead> <tr> <th colspan="2">Valve Spacing</th> </tr> </thead> <tbody> <tr> <td>3</td> <td>3.25 inch 82.6 mm</td> </tr> <tr> <td>5</td> <td>5.00 inch 127.0 mm</td> </tr> </tbody> </table>	Valve Spacing		3	3.25 inch 82.6 mm	5	5.00 inch 127.0 mm	<table border="1"> <thead> <tr> <th colspan="2">Circuit</th> </tr> </thead> <tbody> <tr> <td>AB</td> <td>A1 common to A2 B1 common to B2</td> </tr> </tbody> </table>	Circuit		AB	A1 common to A2 B1 common to B2
Material																																			
A	Aluminum - 6061-T6 3000 [†] psi • 20.7 MPa																																		
D	Ductile Iron - D4512 5000 [†] psi • 34.5 MPa																																		
[†] Working pressure should be considered in accordance with ISO 4413 to determine appropriate material type.																																			
Valve Pattern																																			
D05	ISO 4401-05-04 NFPA T3.5.1-D05 See Tech Information																																		
Product Type																																			
TP	Tapping Plate																																		
No. of Stations																																			
02	02 Stations																																		
Valve Spacing																																			
3	3.25 inch 82.6 mm																																		
5	5.00 inch 127.0 mm																																		
Circuit																																			
AB	A1 common to A2 B1 common to B2																																		

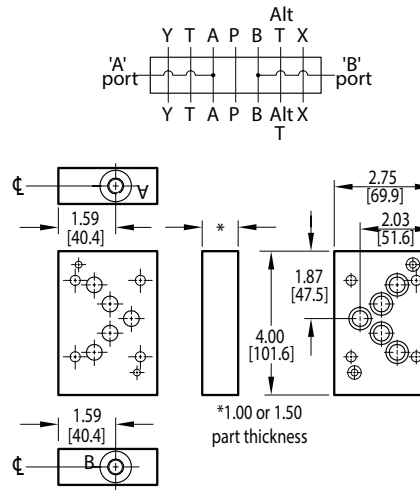
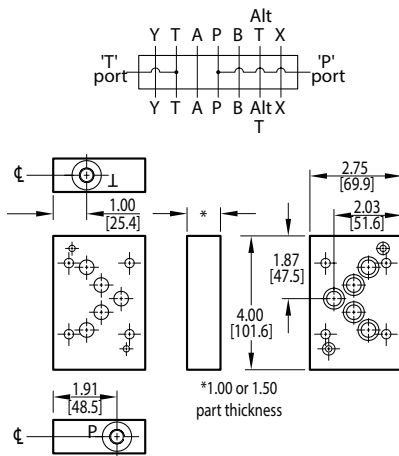
D05 Tapping Plates with USA Pilot Ports

P and T Port Tapping Plate

Tapping Plate hardware / interface seal kit is supplied. See page 180 for itemized list.

A and B Port Tapping Plate

Tapping Plate hardware / interface seal kit is supplied. See page 180 for itemized list.



Specifications, descriptions, and dimensional data are subject to correction or change without notice or incurring obligation. Download latest catalog page revisions at www.daman.com.

Ordering Information

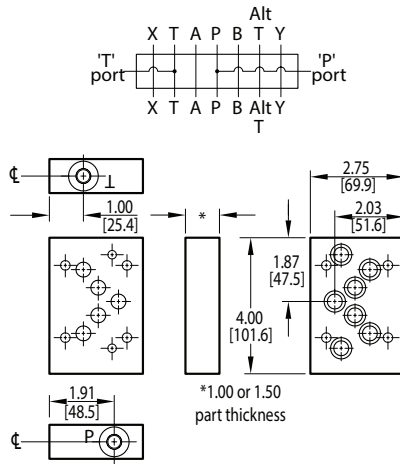
For [coating options](#) see pages 245-246.

Material	Valve Pattern	Product Type	Circuit	Port Threads	Thickness																																								
<table border="1"> <thead> <tr> <th colspan="2">Material</th> </tr> </thead> <tbody> <tr> <td>A</td> <td>Aluminum - 6061-T6 3000[†] psi • 20.7 MPa</td> </tr> <tr> <td>D</td> <td>Ductile Iron - D4512 5000[†] psi • 34.5 MPa</td> </tr> <tr> <td colspan="2">[†] Working pressure should be considered in accordance with ISO 4413 to determine appropriate material type.</td> </tr> </tbody> </table>	Material		A	Aluminum - 6061-T6 3000 [†] psi • 20.7 MPa	D	Ductile Iron - D4512 5000 [†] psi • 34.5 MPa	[†] Working pressure should be considered in accordance with ISO 4413 to determine appropriate material type.		<table border="1"> <thead> <tr> <th colspan="2">Valve Pattern</th> </tr> </thead> <tbody> <tr> <td>D05H</td> <td>(USA std) NFFPA T3.5.1-D05 Alt B See Tech Information</td> </tr> </tbody> </table>	Valve Pattern		D05H	(USA std) NFFPA T3.5.1-D05 Alt B See Tech Information	<table border="1"> <thead> <tr> <th colspan="2">Product Type</th> </tr> </thead> <tbody> <tr> <td>TP</td> <td>Tapping Plate</td> </tr> </tbody> </table>	Product Type		TP	Tapping Plate	<table border="1"> <thead> <tr> <th colspan="2">Circuit</th> </tr> </thead> <tbody> <tr> <td>PT</td> <td>P and T ports provided</td> </tr> <tr> <td>AB</td> <td>A and B ports provided</td> </tr> </tbody> </table>	Circuit		PT	P and T ports provided	AB	A and B ports provided	<table border="1"> <thead> <tr> <th colspan="2">Port Threads</th> </tr> </thead> <tbody> <tr> <td>4P</td> <td>0.25-18 NPTF ANSI B1.20.3</td> </tr> <tr> <td>4S</td> <td>-4 SAE ISO 11926; SAE 1926</td> </tr> <tr> <td>4B</td> <td>0.25-19 BSPP ISO 1179; BS 2779</td> </tr> <tr> <td>4M</td> <td>M10 x 1.0 ISO 6149</td> </tr> <tr> <td>4T</td> <td>0.25-19 BSPT ISO 7; BS 21</td> </tr> </tbody> </table>	Port Threads		4P	0.25-18 NPTF ANSI B1.20.3	4S	-4 SAE ISO 11926; SAE 1926	4B	0.25-19 BSPP ISO 1179; BS 2779	4M	M10 x 1.0 ISO 6149	4T	0.25-19 BSPT ISO 7; BS 21	<table border="1"> <thead> <tr> <th colspan="2">Thickness</th> </tr> </thead> <tbody> <tr> <td>150</td> <td>For 1.5" thickness</td> </tr> <tr> <td colspan="2">OMIT for standard 1" thickness</td> </tr> </tbody> </table>	Thickness		150	For 1.5" thickness	OMIT for standard 1" thickness	
Material																																													
A	Aluminum - 6061-T6 3000 [†] psi • 20.7 MPa																																												
D	Ductile Iron - D4512 5000 [†] psi • 34.5 MPa																																												
[†] Working pressure should be considered in accordance with ISO 4413 to determine appropriate material type.																																													
Valve Pattern																																													
D05H	(USA std) NFFPA T3.5.1-D05 Alt B See Tech Information																																												
Product Type																																													
TP	Tapping Plate																																												
Circuit																																													
PT	P and T ports provided																																												
AB	A and B ports provided																																												
Port Threads																																													
4P	0.25-18 NPTF ANSI B1.20.3																																												
4S	-4 SAE ISO 11926; SAE 1926																																												
4B	0.25-19 BSPP ISO 1179; BS 2779																																												
4M	M10 x 1.0 ISO 6149																																												
4T	0.25-19 BSPT ISO 7; BS 21																																												
Thickness																																													
150	For 1.5" thickness																																												
OMIT for standard 1" thickness																																													

D05 Tapping Plates with ISO Pilot Ports

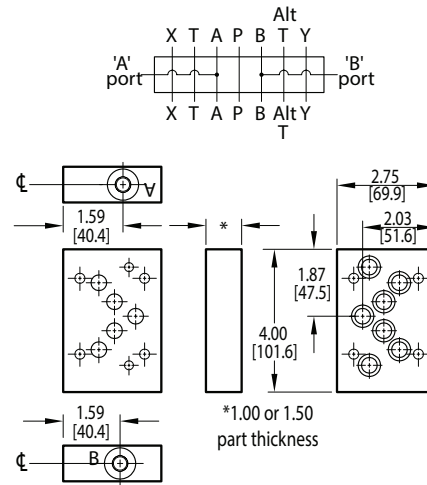
P and T Port Tapping Plate

Tapping Plate hardware / interface seal kit is supplied. See page 180 for itemized list.



A and B Port Tapping Plate

Tapping Plate hardware / interface seal kit is supplied. See page 180 for itemized list.



Specifications, descriptions, and dimensional data are subject to correction or change without notice or incurring obligation. Download latest catalog page revisions at www.daman.com.

Ordering Information

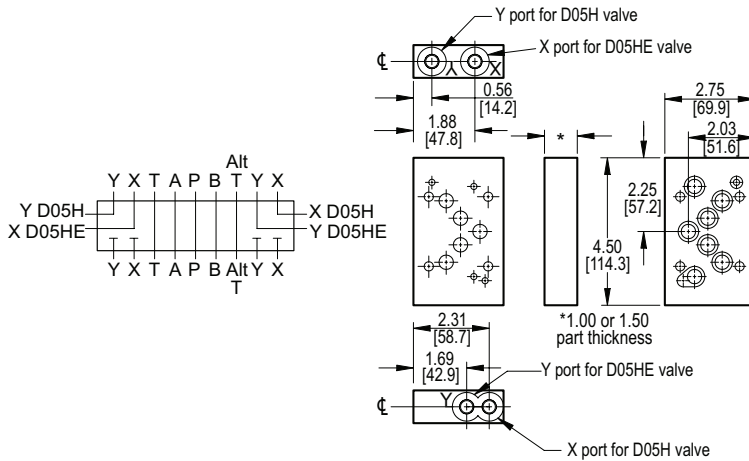
For **coating options** see pages 245-246.

Material	Valve Pattern	Product Type	Circuit	Port Threads	Thickness																																								
<table border="1"> <thead> <tr> <th colspan="2">Material</th> </tr> </thead> <tbody> <tr> <td>A</td> <td>Aluminum - 6061-T6 3000[†] psi • 20.7 MPa</td> </tr> <tr> <td>D</td> <td>Ductile Iron - D4512 5000[†] psi • 34.5 MPa</td> </tr> <tr> <td colspan="2">[†] Working pressure should be considered in accordance with ISO 4413 to determine appropriate material type.</td> </tr> </tbody> </table>	Material		A	Aluminum - 6061-T6 3000 [†] psi • 20.7 MPa	D	Ductile Iron - D4512 5000 [†] psi • 34.5 MPa	[†] Working pressure should be considered in accordance with ISO 4413 to determine appropriate material type.		<table border="1"> <thead> <tr> <th colspan="2">Valve Pattern</th> </tr> </thead> <tbody> <tr> <td>D05HE</td> <td>ISO 4401-05-05 NFPA T3.5.1-D05 Alt A See Tech Information</td> </tr> </tbody> </table>	Valve Pattern		D05HE	ISO 4401-05-05 NFPA T3.5.1-D05 Alt A See Tech Information	<table border="1"> <thead> <tr> <th colspan="2">Product Type</th> </tr> </thead> <tbody> <tr> <td>TP</td> <td>Tapping Plate</td> </tr> </tbody> </table>	Product Type		TP	Tapping Plate	<table border="1"> <thead> <tr> <th colspan="2">Circuit</th> </tr> </thead> <tbody> <tr> <td>PT</td> <td>P and T ports provided</td> </tr> <tr> <td>AB</td> <td>A and B ports provided</td> </tr> </tbody> </table>	Circuit		PT	P and T ports provided	AB	A and B ports provided	<table border="1"> <thead> <tr> <th colspan="2">Port Threads</th> </tr> </thead> <tbody> <tr> <td>4P</td> <td>0.25-18 NPTF ANSI B1.20.3</td> </tr> <tr> <td>4S</td> <td>-4 SAE ISO 11926; SAE 1926</td> </tr> <tr> <td>4B</td> <td>0.25-19 BSPP ISO 1179; BS 2779</td> </tr> <tr> <td>4M</td> <td>M10 x 1.0 ISO 6149</td> </tr> <tr> <td>4T</td> <td>0.25-19 BSPT ISO 7; BS 21</td> </tr> </tbody> </table>	Port Threads		4P	0.25-18 NPTF ANSI B1.20.3	4S	-4 SAE ISO 11926; SAE 1926	4B	0.25-19 BSPP ISO 1179; BS 2779	4M	M10 x 1.0 ISO 6149	4T	0.25-19 BSPT ISO 7; BS 21	<table border="1"> <thead> <tr> <th colspan="2">Thickness</th> </tr> </thead> <tbody> <tr> <td>150</td> <td>For 1.5" thickness</td> </tr> <tr> <td colspan="2">OMIT for standard 1" thickness</td> </tr> </tbody> </table>	Thickness		150	For 1.5" thickness	OMIT for standard 1" thickness	
Material																																													
A	Aluminum - 6061-T6 3000 [†] psi • 20.7 MPa																																												
D	Ductile Iron - D4512 5000 [†] psi • 34.5 MPa																																												
[†] Working pressure should be considered in accordance with ISO 4413 to determine appropriate material type.																																													
Valve Pattern																																													
D05HE	ISO 4401-05-05 NFPA T3.5.1-D05 Alt A See Tech Information																																												
Product Type																																													
TP	Tapping Plate																																												
Circuit																																													
PT	P and T ports provided																																												
AB	A and B ports provided																																												
Port Threads																																													
4P	0.25-18 NPTF ANSI B1.20.3																																												
4S	-4 SAE ISO 11926; SAE 1926																																												
4B	0.25-19 BSPP ISO 1179; BS 2779																																												
4M	M10 x 1.0 ISO 6149																																												
4T	0.25-19 BSPT ISO 7; BS 21																																												
Thickness																																													
150	For 1.5" thickness																																												
OMIT for standard 1" thickness																																													

D05 Tapping Plates with Pilot Ports

X and Y Port Tapping Plate

Tapping Plate hardware / interface seal kit is supplied. See page 180 for itemized list.



Specifications, descriptions, and dimensional data are subject to correction or change without notice or incurring obligation. Download latest catalog page revisions at www.daman.com.

Ordering Information

For coating options see pages 245-246.

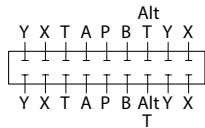
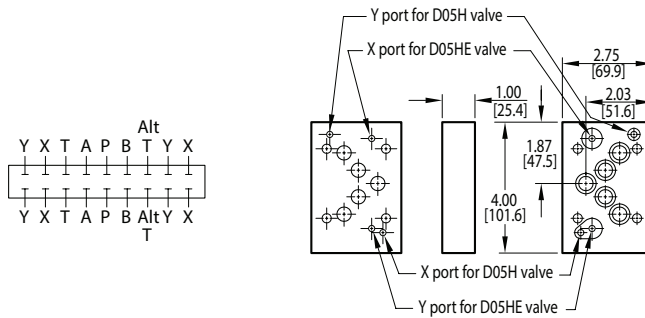
Material	Valve Pattern	Product Type	Circuit	Port Threads	Thickness																																						
<table border="1"> <thead> <tr> <th colspan="2">Material</th> </tr> </thead> <tbody> <tr> <td>A</td> <td>Aluminum - 6061-T6 3000[†] psi • 20.7 MPa</td> </tr> <tr> <td>D</td> <td>Ductile Iron - D4512 5000[†] psi • 34.5 MPa</td> </tr> <tr> <td colspan="2">[†] Working pressure should be considered in accordance with ISO 4413 to determine appropriate material type.</td> </tr> </tbody> </table>	Material		A	Aluminum - 6061-T6 3000 [†] psi • 20.7 MPa	D	Ductile Iron - D4512 5000 [†] psi • 34.5 MPa	[†] Working pressure should be considered in accordance with ISO 4413 to determine appropriate material type.		<table border="1"> <thead> <tr> <th colspan="2">Valve Pattern</th> </tr> </thead> <tbody> <tr> <td>D05H</td> <td>ISO 4401-05-05 NFPA T3.5.1-D05 Alt A & B See Technical Information</td> </tr> </tbody> </table>	Valve Pattern		D05H	ISO 4401-05-05 NFPA T3.5.1-D05 Alt A & B See Technical Information	<table border="1"> <thead> <tr> <th colspan="2">Product Type</th> </tr> </thead> <tbody> <tr> <td>TP</td> <td>Tapping Plate</td> </tr> </tbody> </table>	Product Type		TP	Tapping Plate	<table border="1"> <thead> <tr> <th colspan="2">Circuit</th> </tr> </thead> <tbody> <tr> <td>XY</td> <td>X and Y ports provided</td> </tr> </tbody> </table>	Circuit		XY	X and Y ports provided	<table border="1"> <thead> <tr> <th colspan="2">Port Threads</th> </tr> </thead> <tbody> <tr> <td>4P</td> <td>0.25-18 NPTF ANSI B1.20.3</td> </tr> <tr> <td>4S</td> <td>-4 SAE ISO 11926; SAE 1926</td> </tr> <tr> <td>4B</td> <td>0.25-19 BSPP ISO 1179; BS 2779</td> </tr> <tr> <td>4M</td> <td>M10 x 1.0 ISO 6149</td> </tr> <tr> <td>4T</td> <td>0.25-19 BSPT ISO 7; BS 21</td> </tr> </tbody> </table>	Port Threads		4P	0.25-18 NPTF ANSI B1.20.3	4S	-4 SAE ISO 11926; SAE 1926	4B	0.25-19 BSPP ISO 1179; BS 2779	4M	M10 x 1.0 ISO 6149	4T	0.25-19 BSPT ISO 7; BS 21	<table border="1"> <thead> <tr> <th colspan="2">Thickness</th> </tr> </thead> <tbody> <tr> <td>150</td> <td>For 1.5" thickness</td> </tr> <tr> <td colspan="2">OMIT for standard 1" thickness</td> </tr> </tbody> </table>	Thickness		150	For 1.5" thickness	OMIT for standard 1" thickness	
Material																																											
A	Aluminum - 6061-T6 3000 [†] psi • 20.7 MPa																																										
D	Ductile Iron - D4512 5000 [†] psi • 34.5 MPa																																										
[†] Working pressure should be considered in accordance with ISO 4413 to determine appropriate material type.																																											
Valve Pattern																																											
D05H	ISO 4401-05-05 NFPA T3.5.1-D05 Alt A & B See Technical Information																																										
Product Type																																											
TP	Tapping Plate																																										
Circuit																																											
XY	X and Y ports provided																																										
Port Threads																																											
4P	0.25-18 NPTF ANSI B1.20.3																																										
4S	-4 SAE ISO 11926; SAE 1926																																										
4B	0.25-19 BSPP ISO 1179; BS 2779																																										
4M	M10 x 1.0 ISO 6149																																										
4T	0.25-19 BSPT ISO 7; BS 21																																										
Thickness																																											
150	For 1.5" thickness																																										
OMIT for standard 1" thickness																																											

D05 Tapping Plates with Pilot Ports

Spot Drilled Tapping Plate

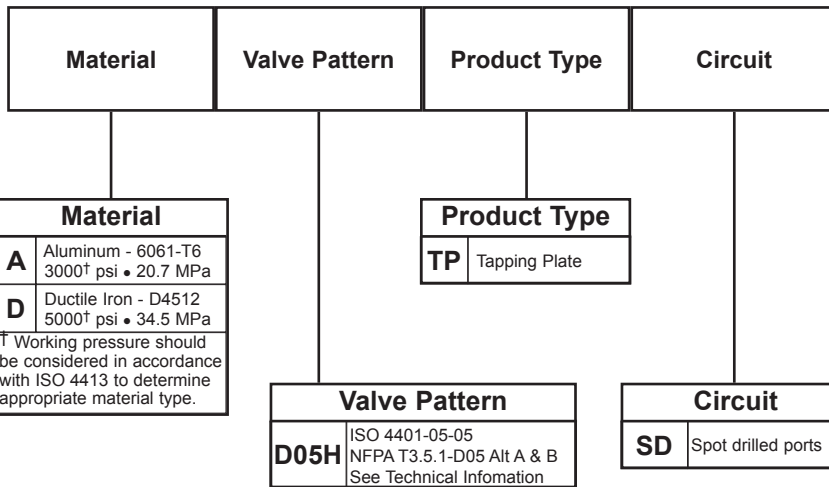
Tapping Plate interface seal kit is supplied.

See page 180 for itemized list.



Specifications, descriptions, and dimensional data are subject to correction or change without notice or incurring obligation. Download latest catalog page revisions at www.daman.com.

Ordering Information

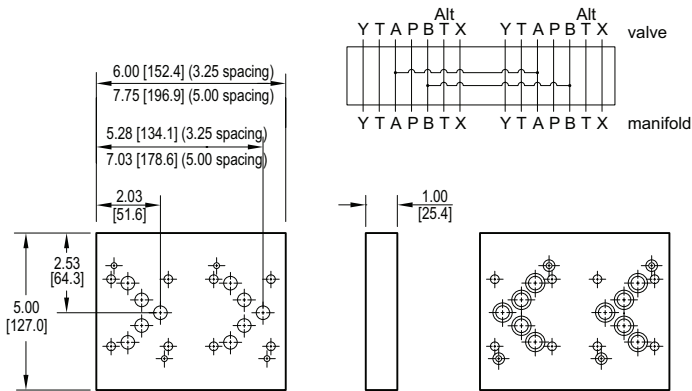


For coating options see pages 245-246.

D05 Tapping Plates with Pilot Ports

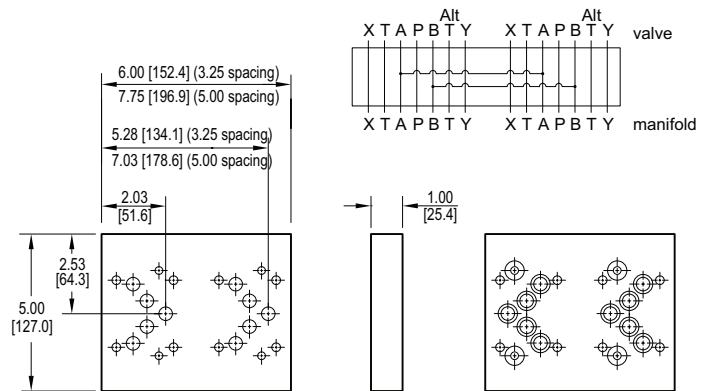
D05(H) Two Station Tapping Plate (USA Pilot Ports) A₁ common to A₂, B₁ common to B₂

Tapping Plate interface seal kit is supplied.
See page 180 for itemized list.



D05(HE) Two Station Tapping Plate (ISO Pilot Ports) A₁ common to A₂, B₁ common to B₂

Tapping Plate interface seal kit is supplied.
See page 180 for itemized list.



Specifications, descriptions, and dimensional data are subject to correction or change without notice or incurring obligation. Download latest catalog page revisions at www.daman.com.

Ordering Information

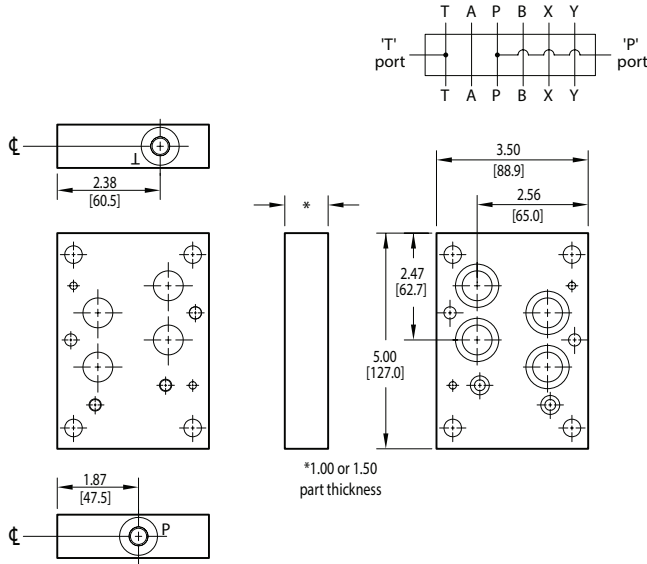
For coating options see pages 245-246.

Material	Valve Pattern	Product Type	No. of Stations	Valve Spacing	Circuit																																
<table border="1"> <thead> <tr> <th colspan="2">Material</th> </tr> </thead> <tbody> <tr> <td>A</td> <td>Aluminum - 6061-T6 3000[†] psi • 20.7 MPa</td> </tr> <tr> <td>D</td> <td>Ductile Iron - D4512 5000[†] psi • 34.5 MPa</td> </tr> <tr> <td colspan="2">[†] Working pressure should be considered in accordance with ISO 4413 to determine appropriate material type.</td> </tr> </tbody> </table>	Material		A	Aluminum - 6061-T6 3000 [†] psi • 20.7 MPa	D	Ductile Iron - D4512 5000 [†] psi • 34.5 MPa	[†] Working pressure should be considered in accordance with ISO 4413 to determine appropriate material type.		<table border="1"> <thead> <tr> <th colspan="2">Valve Pattern</th> </tr> </thead> <tbody> <tr> <td>D05H</td> <td>(USA std) NFPA T3.5.1-D05 Alt B See Tech Information</td> </tr> <tr> <td>D05HE</td> <td>ISO 4401-05-05 NFPA T3.5.1-D05 Alt A See Tech Information</td> </tr> </tbody> </table>	Valve Pattern		D05H	(USA std) NFPA T3.5.1-D05 Alt B See Tech Information	D05HE	ISO 4401-05-05 NFPA T3.5.1-D05 Alt A See Tech Information	<table border="1"> <thead> <tr> <th colspan="2">Product Type</th> </tr> </thead> <tbody> <tr> <td>TP</td> <td>Tapping Plate</td> </tr> </tbody> </table>	Product Type		TP	Tapping Plate	<table border="1"> <thead> <tr> <th colspan="2">No. of Stations</th> </tr> </thead> <tbody> <tr> <td>02</td> <td>02 Stations</td> </tr> </tbody> </table>	No. of Stations		02	02 Stations	<table border="1"> <thead> <tr> <th colspan="2">Valve Spacing</th> </tr> </thead> <tbody> <tr> <td>3</td> <td>3.25 inch 82.6 mm</td> </tr> <tr> <td>5</td> <td>5.00 inch 127.0 mm</td> </tr> </tbody> </table>	Valve Spacing		3	3.25 inch 82.6 mm	5	5.00 inch 127.0 mm	<table border="1"> <thead> <tr> <th colspan="2">Circuit</th> </tr> </thead> <tbody> <tr> <td>AB</td> <td>A₁ common to A₂ B₁ common to B₂</td> </tr> </tbody> </table>	Circuit		AB	A ₁ common to A ₂ B ₁ common to B ₂
Material																																					
A	Aluminum - 6061-T6 3000 [†] psi • 20.7 MPa																																				
D	Ductile Iron - D4512 5000 [†] psi • 34.5 MPa																																				
[†] Working pressure should be considered in accordance with ISO 4413 to determine appropriate material type.																																					
Valve Pattern																																					
D05H	(USA std) NFPA T3.5.1-D05 Alt B See Tech Information																																				
D05HE	ISO 4401-05-05 NFPA T3.5.1-D05 Alt A See Tech Information																																				
Product Type																																					
TP	Tapping Plate																																				
No. of Stations																																					
02	02 Stations																																				
Valve Spacing																																					
3	3.25 inch 82.6 mm																																				
5	5.00 inch 127.0 mm																																				
Circuit																																					
AB	A ₁ common to A ₂ B ₁ common to B ₂																																				

D07 Tapping Plates

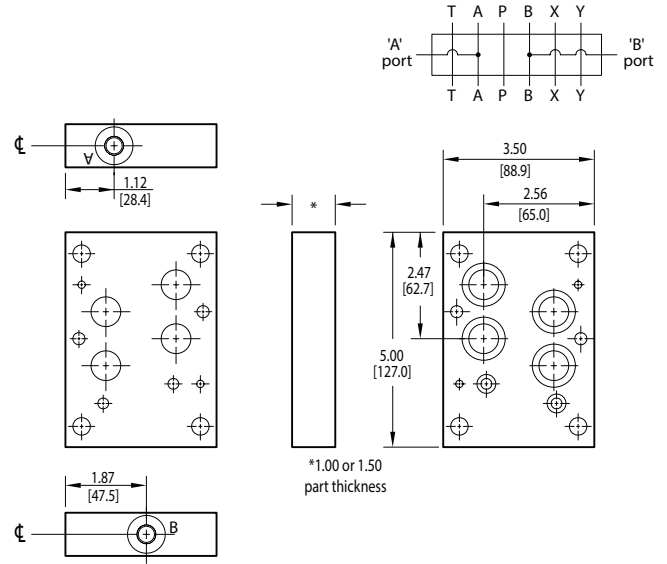
P and T Port Tapping Plate

Tapping Plate hardware / interface seal kit is supplied. See page 180 for itemized list.



A and B Port Tapping Plate

Tapping Plate hardware / interface seal kit is supplied. See page 180 for itemized list.



Specifications, descriptions, and dimensional data are subject to correction or change without notice or incurring obligation. Download latest catalog page revisions at www.daman.com.

Ordering Information

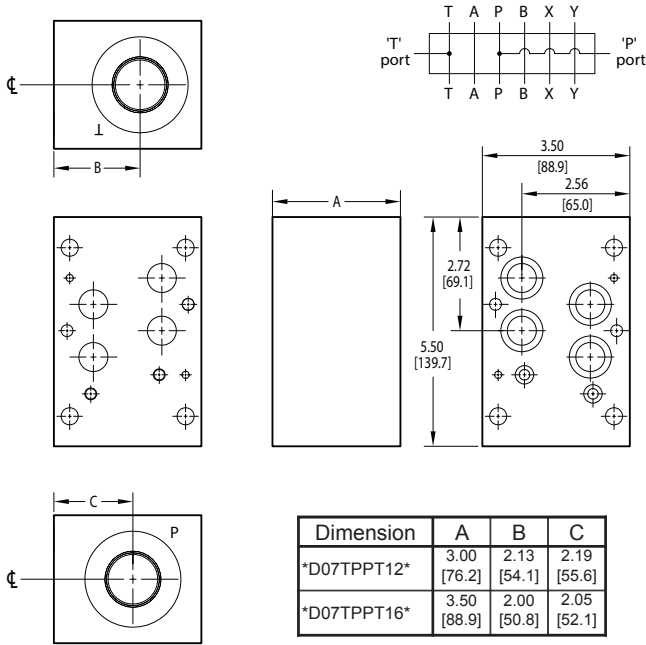
For coating options see pages 245-246.

Material	Valve Pattern	Product Type	Circuit	Port Threads	Thickness																																								
<table border="1"> <thead> <tr> <th colspan="2">Material</th> </tr> </thead> <tbody> <tr> <td>A</td> <td>Aluminum - 6061-T6 3000[†] psi • 20.7 MPa</td> </tr> <tr> <td>D</td> <td>Ductile Iron - D4512 5000[†] psi • 34.5 MPa</td> </tr> <tr> <td colspan="2">[†] Working pressure should be considered in accordance with ISO 4413 to determine appropriate material type.</td> </tr> </tbody> </table>	Material		A	Aluminum - 6061-T6 3000 [†] psi • 20.7 MPa	D	Ductile Iron - D4512 5000 [†] psi • 34.5 MPa	[†] Working pressure should be considered in accordance with ISO 4413 to determine appropriate material type.		<table border="1"> <thead> <tr> <th colspan="2">Valve Pattern</th> </tr> </thead> <tbody> <tr> <td>D07</td> <td>ISO 4401-07-06 NFPA T3.5.1-D07 See Tech Information</td> </tr> </tbody> </table>	Valve Pattern		D07	ISO 4401-07-06 NFPA T3.5.1-D07 See Tech Information	<table border="1"> <thead> <tr> <th colspan="2">Product Type</th> </tr> </thead> <tbody> <tr> <td>TP</td> <td>Tapping Plate</td> </tr> </tbody> </table>	Product Type		TP	Tapping Plate	<table border="1"> <thead> <tr> <th colspan="2">Circuit</th> </tr> </thead> <tbody> <tr> <td>PT</td> <td>P and T ports provided</td> </tr> <tr> <td>AB</td> <td>A and B ports provided</td> </tr> </tbody> </table>	Circuit		PT	P and T ports provided	AB	A and B ports provided	<table border="1"> <thead> <tr> <th colspan="2">Port Threads</th> </tr> </thead> <tbody> <tr> <td>4P</td> <td>0.25-18 NPTF ANSI B1.20.3</td> </tr> <tr> <td>4S</td> <td>-4 SAE ISO 11926; SAE 1926</td> </tr> <tr> <td>4B</td> <td>0.25-19 BSPP ISO 1179; BS 2779</td> </tr> <tr> <td>4M</td> <td>M10 x 1.0 ISO 6149</td> </tr> <tr> <td>4T</td> <td>0.25-19 BSPT ISO 7; BS 21</td> </tr> </tbody> </table> <p>For larger ports, see next page (p. 169.1).</p>	Port Threads		4P	0.25-18 NPTF ANSI B1.20.3	4S	-4 SAE ISO 11926; SAE 1926	4B	0.25-19 BSPP ISO 1179; BS 2779	4M	M10 x 1.0 ISO 6149	4T	0.25-19 BSPT ISO 7; BS 21	<table border="1"> <thead> <tr> <th colspan="2">Thickness</th> </tr> </thead> <tbody> <tr> <td>150</td> <td>For 1.5" thickness</td> </tr> <tr> <td colspan="2">OMIT for standard 1" thickness</td> </tr> </tbody> </table>	Thickness		150	For 1.5" thickness	OMIT for standard 1" thickness	
Material																																													
A	Aluminum - 6061-T6 3000 [†] psi • 20.7 MPa																																												
D	Ductile Iron - D4512 5000 [†] psi • 34.5 MPa																																												
[†] Working pressure should be considered in accordance with ISO 4413 to determine appropriate material type.																																													
Valve Pattern																																													
D07	ISO 4401-07-06 NFPA T3.5.1-D07 See Tech Information																																												
Product Type																																													
TP	Tapping Plate																																												
Circuit																																													
PT	P and T ports provided																																												
AB	A and B ports provided																																												
Port Threads																																													
4P	0.25-18 NPTF ANSI B1.20.3																																												
4S	-4 SAE ISO 11926; SAE 1926																																												
4B	0.25-19 BSPP ISO 1179; BS 2779																																												
4M	M10 x 1.0 ISO 6149																																												
4T	0.25-19 BSPT ISO 7; BS 21																																												
Thickness																																													
150	For 1.5" thickness																																												
OMIT for standard 1" thickness																																													

D07 Tapping Plates - Large Ports

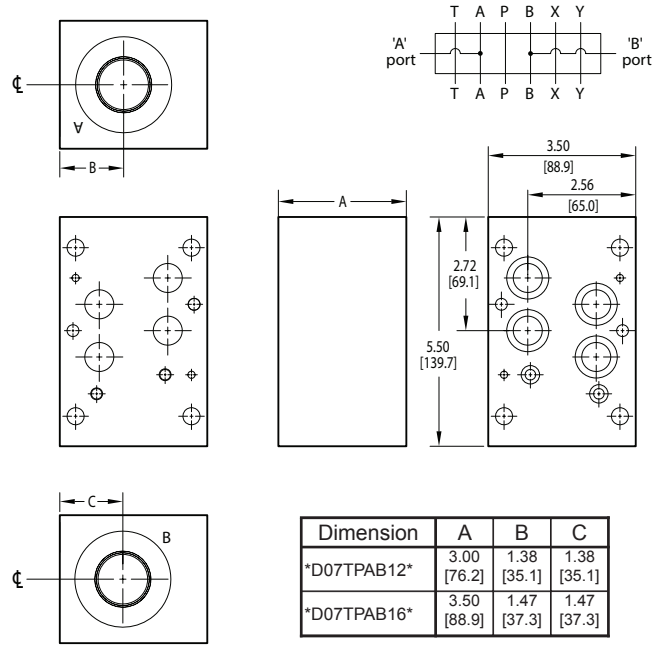
P and T Port Tapping Plate

Tapping Plate hardware / interface seal kit is supplied. See page 180 for itemized list.



A and B Port Tapping Plate

Tapping Plate hardware / interface seal kit is supplied. See page 180 for itemized list.



Specifications, descriptions, and dimensional data are subject to correction or change without notice or incurring obligation. Download latest catalog page revisions at www.daman.com.

Ordering Information

For **coating options** see pages 245-246.

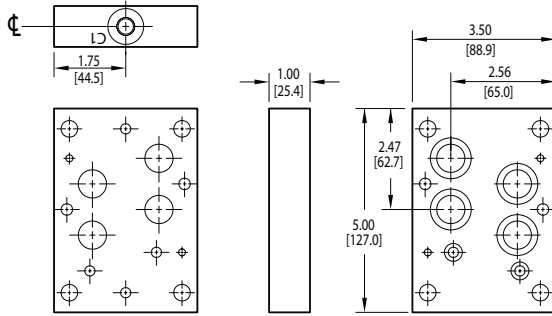
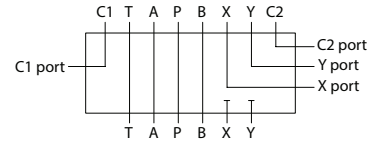
Material	Valve Pattern	Product Type	Circuit	Port Threads																																														
<table border="1"> <thead> <tr> <th colspan="2">Material</th> </tr> </thead> <tbody> <tr> <td>A</td> <td>Aluminum - 6061-T6 3000[†] psi • 20.7 MPa</td> </tr> <tr> <td>D</td> <td>Ductile Iron - D4512 5000[†] psi • 34.5 MPa</td> </tr> <tr> <td colspan="2"> [†] Working pressure should be considered in accordance with ISO 4413 to determine appropriate material type. </td> </tr> </tbody> </table>	Material		A	Aluminum - 6061-T6 3000 [†] psi • 20.7 MPa	D	Ductile Iron - D4512 5000 [†] psi • 34.5 MPa	[†] Working pressure should be considered in accordance with ISO 4413 to determine appropriate material type.		<table border="1"> <thead> <tr> <th colspan="2">Valve Pattern</th> </tr> </thead> <tbody> <tr> <td>D07</td> <td>ISO 4401-07-06 NFPA T3.5.1-D07 See Tech Infomation</td> </tr> </tbody> </table>	Valve Pattern		D07	ISO 4401-07-06 NFPA T3.5.1-D07 See Tech Infomation	<table border="1"> <thead> <tr> <th colspan="2">Product Type</th> </tr> </thead> <tbody> <tr> <td>TP</td> <td>Tapping Plate</td> </tr> </tbody> </table>	Product Type		TP	Tapping Plate	<table border="1"> <thead> <tr> <th colspan="2">Circuit</th> </tr> </thead> <tbody> <tr> <td>PT</td> <td>P and T ports provided</td> </tr> <tr> <td>AB</td> <td>A and B ports provided</td> </tr> </tbody> </table>	Circuit		PT	P and T ports provided	AB	A and B ports provided	<table border="1"> <thead> <tr> <th colspan="4">Port Threads</th> </tr> </thead> <tbody> <tr> <td>12P</td> <td>0.75-14 NPTF ANSI B1.20.3</td> <td>16P</td> <td>1.00-11.5 NPTF ANSI B1.20.3</td> </tr> <tr> <td>12S</td> <td>-12 SAE ISO 11926; SAE 1926</td> <td>16S</td> <td>-16 SAE ISO 11926; SAE 1926</td> </tr> <tr> <td>12B</td> <td>0.75-14 BSPP ISO 1179; BS 2779</td> <td>16B</td> <td>1.00-11 BSPP ISO 1179; BS 2779</td> </tr> <tr> <td>12M</td> <td>M27 x 2.0 ISO 6149</td> <td>16M</td> <td>M33 x 2.0 ISO 6149</td> </tr> <tr> <td>12T</td> <td>0.75-14 BSPT ISO 7; BS 21</td> <td>16T</td> <td>1.00-11 BSPT ISO 7; BS 21</td> </tr> </tbody> </table>	Port Threads				12P	0.75-14 NPTF ANSI B1.20.3	16P	1.00-11.5 NPTF ANSI B1.20.3	12S	-12 SAE ISO 11926; SAE 1926	16S	-16 SAE ISO 11926; SAE 1926	12B	0.75-14 BSPP ISO 1179; BS 2779	16B	1.00-11 BSPP ISO 1179; BS 2779	12M	M27 x 2.0 ISO 6149	16M	M33 x 2.0 ISO 6149	12T	0.75-14 BSPT ISO 7; BS 21	16T	1.00-11 BSPT ISO 7; BS 21
Material																																																		
A	Aluminum - 6061-T6 3000 [†] psi • 20.7 MPa																																																	
D	Ductile Iron - D4512 5000 [†] psi • 34.5 MPa																																																	
[†] Working pressure should be considered in accordance with ISO 4413 to determine appropriate material type.																																																		
Valve Pattern																																																		
D07	ISO 4401-07-06 NFPA T3.5.1-D07 See Tech Infomation																																																	
Product Type																																																		
TP	Tapping Plate																																																	
Circuit																																																		
PT	P and T ports provided																																																	
AB	A and B ports provided																																																	
Port Threads																																																		
12P	0.75-14 NPTF ANSI B1.20.3	16P	1.00-11.5 NPTF ANSI B1.20.3																																															
12S	-12 SAE ISO 11926; SAE 1926	16S	-16 SAE ISO 11926; SAE 1926																																															
12B	0.75-14 BSPP ISO 1179; BS 2779	16B	1.00-11 BSPP ISO 1179; BS 2779																																															
12M	M27 x 2.0 ISO 6149	16M	M33 x 2.0 ISO 6149																																															
12T	0.75-14 BSPT ISO 7; BS 21	16T	1.00-11 BSPT ISO 7; BS 21																																															

For smaller ports, see previous page (p. 169).

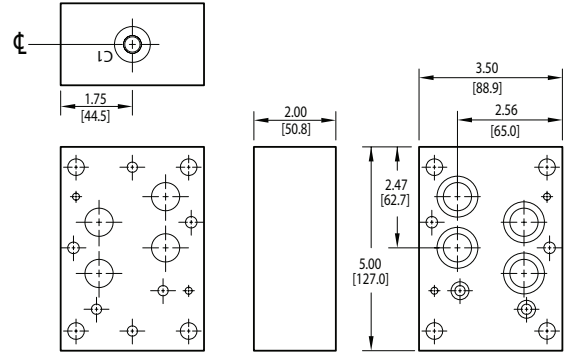
D07 Tapping Plates

X and Y Port Tapping Plate

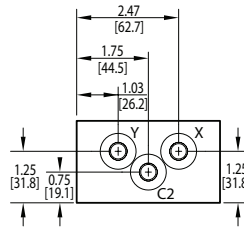
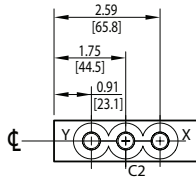
Tapping Plate hardware / interface seal kit is supplied. See page 180 for itemized list.



1" thick tapping plate



2" thick tapping plate



Specifications, descriptions, and dimensional data are subject to correction or change without notice or incurring obligation. Download latest catalog page revisions at www.daman.com.

Ordering Information

For coating options see pages 245-246.

Material	Valve Pattern	Product Type	Circuit	Port Threads	Thickness
----------	---------------	--------------	---------	--------------	-----------

Material	
A	Aluminum - 6061-T6 3000† psi • 20.7 MPa
D	Ductile Iron - D4512 5000† psi • 34.5 MPa

† Working pressure should be considered in accordance with ISO 4413 to determine appropriate material type.

Product Type	
TP	Tapping Plate

Valve Pattern	
D07	ISO 4401-07-06 NFPA T3.5.1-D07 See Tech Information

Circuit	
XY	X and Y ports provided

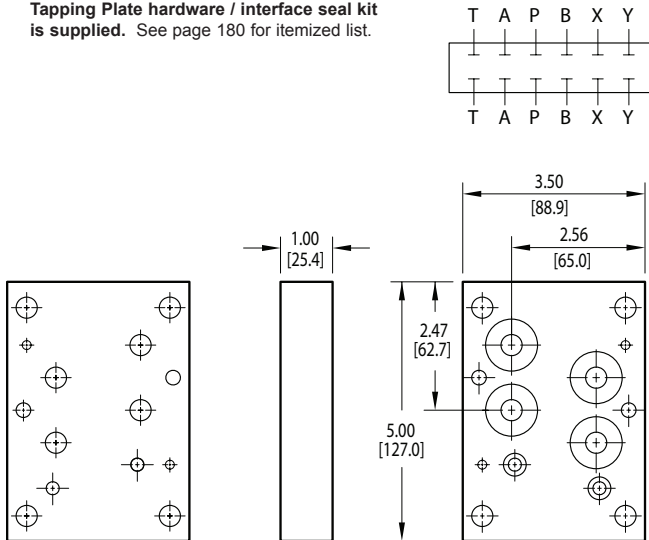
Port Threads	
4P	0.25-18 NPTF ANSI B1.20.3
4S	-4 SAE ISO 11926; SAE 1926
4B	0.25-19 BSPP ISO 1179; BS 2779
4M	M10 x 1.0 ISO 6149
4T	0.25-19 BSPT ISO 7; BS 21

Thickness	
200	For 2" thickness
	OMIT for standard 1" thickness

D07 Tapping Plates

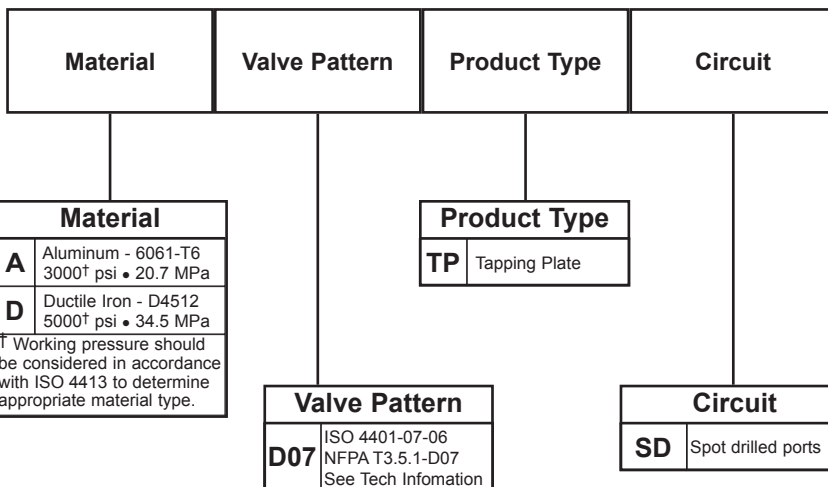
Spot Drilled Tapping Plate

Tapping Plate hardware / interface seal kit is supplied. See page 180 for itemized list.



Specifications, descriptions, and dimensional data are subject to correction or change without notice or incurring obligation. Download latest catalog page revisions at www.daman.com.

Ordering Information

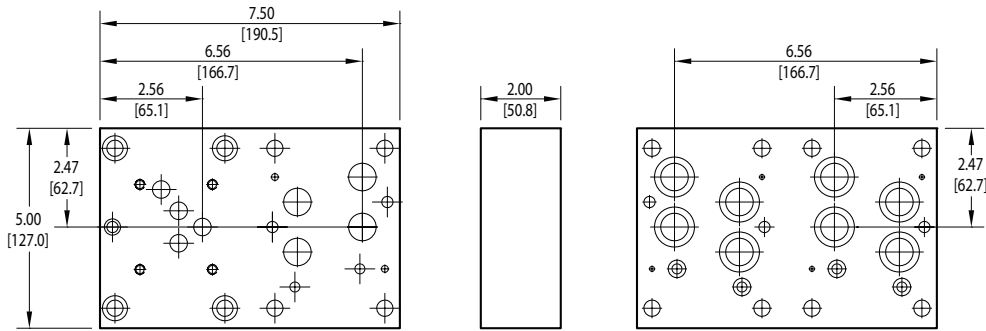
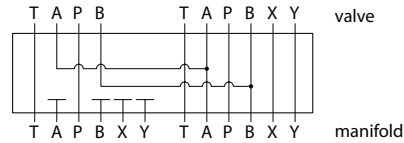


For **coating options** see pages 245-246.

D07 Tapping Plates

D05-D07 Two Station Tapping Plate A₁ common to A₂, B₁ common to B₂

D05 Valve mtg: UNC 0.25-20 x 0.75 [19] DP
Tapping Plate hardware / interface seal kit is supplied. * See page 180 for itemized list.
 * (6) bolts are user supplied and must pass through valve and tapping plate to thread into manifold.



Specifications, descriptions, and dimensional data are subject to correction or change without notice or incurring obligation. Download latest catalog page revisions at www.daman.com.

Ordering Information

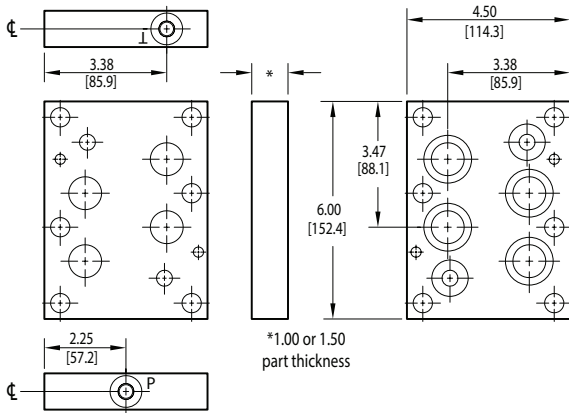
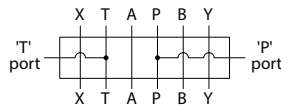
For **coating options** see pages 245-246.

Material	Valve Pattern Station 1	Valve Pattern Station 2	Product Type	No. of Stations	Valve Spacing	Circuit																																
<table border="1"> <tr><th colspan="2">Material</th></tr> <tr><td>A</td><td>Aluminum - 6061-T6 3000† psi • 20.7 MPa</td></tr> <tr><td>D</td><td>Ductile Iron - D4512 5000† psi • 34.5 MPa</td></tr> <tr><td colspan="2">† Working pressure should be considered in accordance with ISO 4413 to determine appropriate material type.</td></tr> </table>	Material		A	Aluminum - 6061-T6 3000† psi • 20.7 MPa	D	Ductile Iron - D4512 5000† psi • 34.5 MPa	† Working pressure should be considered in accordance with ISO 4413 to determine appropriate material type.		<table border="1"> <tr><th colspan="2">Valve Station 1</th></tr> <tr><td>D05</td><td>ISO 4401-05-04 NFFPA T3.5.1-D05 See Tech Information</td></tr> </table>	Valve Station 1		D05	ISO 4401-05-04 NFFPA T3.5.1-D05 See Tech Information	<table border="1"> <tr><th colspan="2">Valve Station 2</th></tr> <tr><td>D07</td><td>ISO 4401-07-06 NFFPA T3.5.1-D07 See Tech Information</td></tr> </table>	Valve Station 2		D07	ISO 4401-07-06 NFFPA T3.5.1-D07 See Tech Information	<table border="1"> <tr><th colspan="2">Product Type</th></tr> <tr><td>TP</td><td>Tapping Plate</td></tr> </table>	Product Type		TP	Tapping Plate	<table border="1"> <tr><th colspan="2">No. of Stations</th></tr> <tr><td>02</td><td>02 Stations</td></tr> </table>	No. of Stations		02	02 Stations	<table border="1"> <tr><th colspan="2">Valve Spacing</th></tr> <tr><td>4</td><td>4.00 inch 101.6 mm</td></tr> </table>	Valve Spacing		4	4.00 inch 101.6 mm	<table border="1"> <tr><th colspan="2">Circuit</th></tr> <tr><td>AB</td><td>A1 common to A2 B1 common to B2</td></tr> </table>	Circuit		AB	A1 common to A2 B1 common to B2
Material																																						
A	Aluminum - 6061-T6 3000† psi • 20.7 MPa																																					
D	Ductile Iron - D4512 5000† psi • 34.5 MPa																																					
† Working pressure should be considered in accordance with ISO 4413 to determine appropriate material type.																																						
Valve Station 1																																						
D05	ISO 4401-05-04 NFFPA T3.5.1-D05 See Tech Information																																					
Valve Station 2																																						
D07	ISO 4401-07-06 NFFPA T3.5.1-D07 See Tech Information																																					
Product Type																																						
TP	Tapping Plate																																					
No. of Stations																																						
02	02 Stations																																					
Valve Spacing																																						
4	4.00 inch 101.6 mm																																					
Circuit																																						
AB	A1 common to A2 B1 common to B2																																					

D08 Tapping Plates

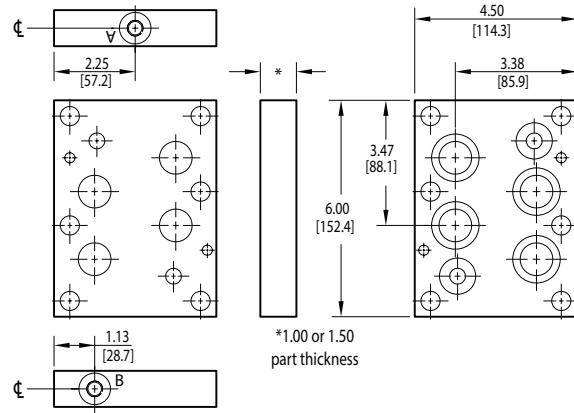
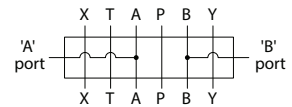
P and T Port Tapping Plate

Tapping Plate hardware / interface seal kit is supplied. See page 180 for itemized list.



A and B Port Tapping Plate

Tapping Plate hardware / interface seal kit is supplied. See page 180 for itemized list.



Specifications, descriptions, and dimensional data are subject to correction or change without notice or incurring obligation. Download latest catalog page revisions at www.daman.com.

Ordering Information

For **coating options** see pages 245-246.

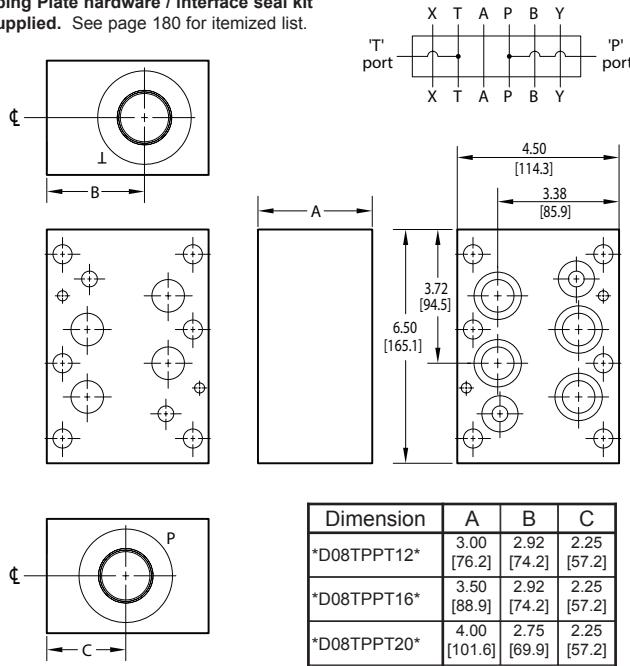
Material	Valve Pattern	Product Type	Circuit	Port Threads	Thickness																																								
<table border="1"> <thead> <tr> <th colspan="2">Material</th> </tr> </thead> <tbody> <tr> <td>A</td> <td>Aluminum - 6061-T6 3000[†] psi • 20.7 MPa</td> </tr> <tr> <td>D</td> <td>Ductile Iron - D4512 5000[†] psi • 34.5 MPa</td> </tr> <tr> <td colspan="2">[†] Working pressure should be considered in accordance with ISO 4413 to determine appropriate material type.</td> </tr> </tbody> </table>	Material		A	Aluminum - 6061-T6 3000 [†] psi • 20.7 MPa	D	Ductile Iron - D4512 5000 [†] psi • 34.5 MPa	[†] Working pressure should be considered in accordance with ISO 4413 to determine appropriate material type.		<table border="1"> <thead> <tr> <th colspan="2">Valve Pattern</th> </tr> </thead> <tbody> <tr> <td>D08</td> <td>ISO 4401-08-07 NFPA T3.5.1-D08 See Tech Infomation</td> </tr> </tbody> </table>	Valve Pattern		D08	ISO 4401-08-07 NFPA T3.5.1-D08 See Tech Infomation	<table border="1"> <thead> <tr> <th colspan="2">Product Type</th> </tr> </thead> <tbody> <tr> <td>TP</td> <td>Tapping Plate</td> </tr> </tbody> </table>	Product Type		TP	Tapping Plate	<table border="1"> <thead> <tr> <th colspan="2">Circuit</th> </tr> </thead> <tbody> <tr> <td>PT</td> <td>P and T ports provided</td> </tr> <tr> <td>AB</td> <td>A and B ports provided</td> </tr> </tbody> </table>	Circuit		PT	P and T ports provided	AB	A and B ports provided	<table border="1"> <thead> <tr> <th colspan="2">Port Threads</th> </tr> </thead> <tbody> <tr> <td>4P</td> <td>0.25-18 NPTF ANSI B1.20.3</td> </tr> <tr> <td>4S</td> <td>-4 SAE ISO 11926; SAE 1926</td> </tr> <tr> <td>4B</td> <td>0.25-19 BSPP ISO 1179; BS 2779</td> </tr> <tr> <td>4M</td> <td>M10 x 1.0 ISO 6149</td> </tr> <tr> <td>4T</td> <td>0.25-19 BSPT ISO 7; BS 21</td> </tr> </tbody> </table>	Port Threads		4P	0.25-18 NPTF ANSI B1.20.3	4S	-4 SAE ISO 11926; SAE 1926	4B	0.25-19 BSPP ISO 1179; BS 2779	4M	M10 x 1.0 ISO 6149	4T	0.25-19 BSPT ISO 7; BS 21	<table border="1"> <thead> <tr> <th colspan="2">Thickness</th> </tr> </thead> <tbody> <tr> <td>150</td> <td>For 1.5" thickness</td> </tr> <tr> <td colspan="2">OMIT for standard 1" thickness</td> </tr> </tbody> </table>	Thickness		150	For 1.5" thickness	OMIT for standard 1" thickness	
Material																																													
A	Aluminum - 6061-T6 3000 [†] psi • 20.7 MPa																																												
D	Ductile Iron - D4512 5000 [†] psi • 34.5 MPa																																												
[†] Working pressure should be considered in accordance with ISO 4413 to determine appropriate material type.																																													
Valve Pattern																																													
D08	ISO 4401-08-07 NFPA T3.5.1-D08 See Tech Infomation																																												
Product Type																																													
TP	Tapping Plate																																												
Circuit																																													
PT	P and T ports provided																																												
AB	A and B ports provided																																												
Port Threads																																													
4P	0.25-18 NPTF ANSI B1.20.3																																												
4S	-4 SAE ISO 11926; SAE 1926																																												
4B	0.25-19 BSPP ISO 1179; BS 2779																																												
4M	M10 x 1.0 ISO 6149																																												
4T	0.25-19 BSPT ISO 7; BS 21																																												
Thickness																																													
150	For 1.5" thickness																																												
OMIT for standard 1" thickness																																													

For larger ports, see next page (p. 173.1).

D08 Tapping Plates - Large Ports

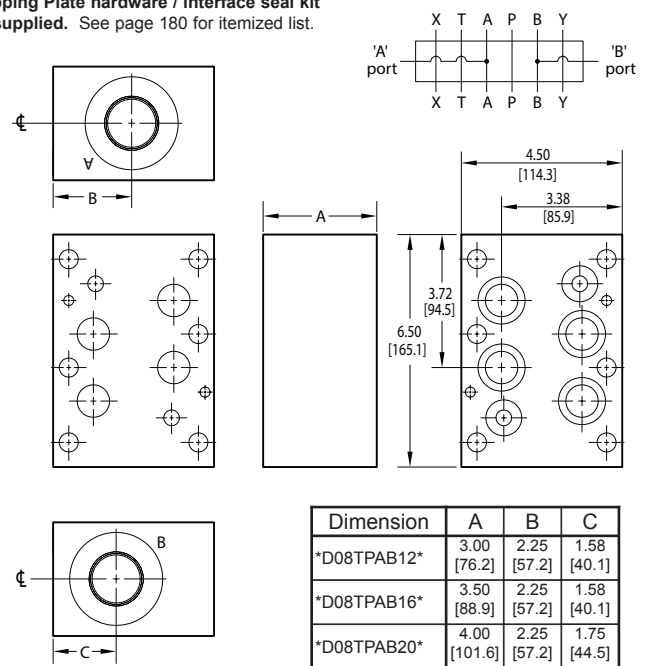
P and T Port Tapping Plate

Tapping Plate hardware / interface seal kit is supplied. See page 180 for itemized list.



A and B Port Tapping Plate

Tapping Plate hardware / interface seal kit is supplied. See page 180 for itemized list.



Specifications, descriptions, and dimensional data are subject to correction or change without notice or incurring obligation. Download latest catalog page revisions at www.daman.com.

Ordering Information

For **coating options** see pages 245-246.

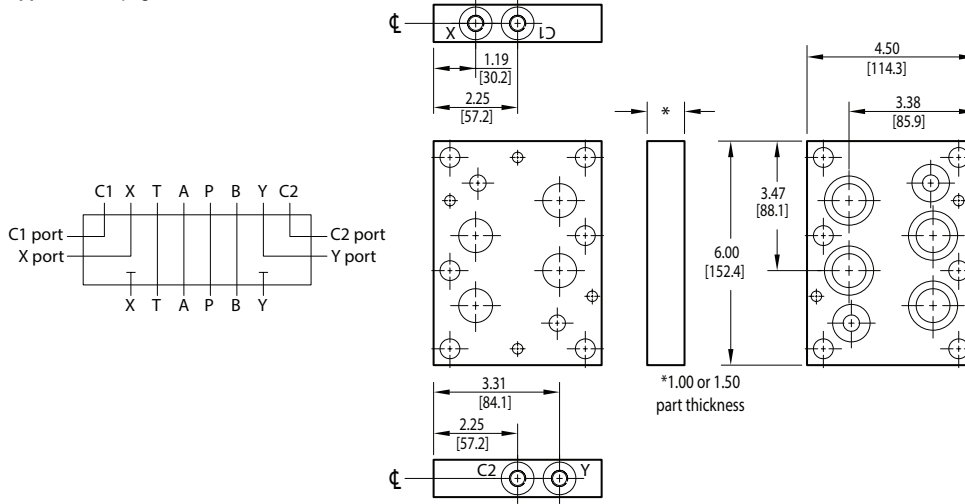
Material	Valve Pattern	Product Type	Circuit	Port Threads																																																																		
<table border="1"> <thead> <tr> <th colspan="2">Material</th> </tr> </thead> <tbody> <tr> <td>A</td> <td>Aluminum - 6061-T6 3000† psi • 20.7 MPa</td> </tr> <tr> <td>D</td> <td>Ductile Iron - D4512 5000† psi • 34.5 MPa</td> </tr> <tr> <td colspan="2">† Working pressure should be considered in accordance with ISO 4413 to determine appropriate material type.</td> </tr> </tbody> </table>	Material		A	Aluminum - 6061-T6 3000† psi • 20.7 MPa	D	Ductile Iron - D4512 5000† psi • 34.5 MPa	† Working pressure should be considered in accordance with ISO 4413 to determine appropriate material type.		<table border="1"> <thead> <tr> <th colspan="2">Valve Pattern</th> </tr> </thead> <tbody> <tr> <td>D08</td> <td>ISO 4401-08-07 NFPA T3.5.1-D08 See Tech Information</td> </tr> </tbody> </table>	Valve Pattern		D08	ISO 4401-08-07 NFPA T3.5.1-D08 See Tech Information	<table border="1"> <thead> <tr> <th colspan="2">Product Type</th> </tr> </thead> <tbody> <tr> <td>TP</td> <td>Tapping Plate</td> </tr> </tbody> </table>	Product Type		TP	Tapping Plate	<table border="1"> <thead> <tr> <th colspan="2">Circuit</th> </tr> </thead> <tbody> <tr> <td>PT</td> <td>P and T ports provided</td> </tr> <tr> <td>AB</td> <td>A and B ports provided</td> </tr> </tbody> </table>	Circuit		PT	P and T ports provided	AB	A and B ports provided	<table border="1"> <thead> <tr> <th colspan="4">Port Threads</th> </tr> </thead> <tbody> <tr> <td>12P</td> <td>0.75-14 NPTF ANSI B1.20.3</td> <td>16P</td> <td>1.00-11.5 NPTF ANSI B1.20.3</td> </tr> <tr> <td>12S</td> <td>-12 SAE ISO 11926; SAE 1926</td> <td>16S</td> <td>-16 SAE ISO 11926; SAE 1926</td> </tr> <tr> <td>12B</td> <td>0.75-14 BSPP ISO 1179; BS 2779</td> <td>16B</td> <td>1.00-11 BSPP ISO 1179; BS 2779</td> </tr> <tr> <td>12M</td> <td>M27 x 2.0 ISO 6149</td> <td>16M</td> <td>M33 x 2.0 ISO 6149</td> </tr> <tr> <td>12T</td> <td>0.75-14 BSPT ISO 7; BS 21</td> <td>16T</td> <td>1.00-11 BSPT ISO 7; BS 21</td> </tr> <tr> <td></td> <td></td> <td>20P</td> <td>1.25-11.5 NPTF ANSI B1.20.3</td> </tr> <tr> <td></td> <td></td> <td>20S</td> <td>-20 SAE ISO 11926; SAE 1926</td> </tr> <tr> <td></td> <td></td> <td>20B</td> <td>1.25-11 BSPP ISO 1179; BS 2779</td> </tr> <tr> <td></td> <td></td> <td>20M</td> <td>M42 x 2.0 ISO 6149</td> </tr> <tr> <td></td> <td></td> <td>20T</td> <td>1.25-11 BSPT ISO 7; BS 21</td> </tr> </tbody> </table>	Port Threads				12P	0.75-14 NPTF ANSI B1.20.3	16P	1.00-11.5 NPTF ANSI B1.20.3	12S	-12 SAE ISO 11926; SAE 1926	16S	-16 SAE ISO 11926; SAE 1926	12B	0.75-14 BSPP ISO 1179; BS 2779	16B	1.00-11 BSPP ISO 1179; BS 2779	12M	M27 x 2.0 ISO 6149	16M	M33 x 2.0 ISO 6149	12T	0.75-14 BSPT ISO 7; BS 21	16T	1.00-11 BSPT ISO 7; BS 21			20P	1.25-11.5 NPTF ANSI B1.20.3			20S	-20 SAE ISO 11926; SAE 1926			20B	1.25-11 BSPP ISO 1179; BS 2779			20M	M42 x 2.0 ISO 6149			20T	1.25-11 BSPT ISO 7; BS 21
Material																																																																						
A	Aluminum - 6061-T6 3000† psi • 20.7 MPa																																																																					
D	Ductile Iron - D4512 5000† psi • 34.5 MPa																																																																					
† Working pressure should be considered in accordance with ISO 4413 to determine appropriate material type.																																																																						
Valve Pattern																																																																						
D08	ISO 4401-08-07 NFPA T3.5.1-D08 See Tech Information																																																																					
Product Type																																																																						
TP	Tapping Plate																																																																					
Circuit																																																																						
PT	P and T ports provided																																																																					
AB	A and B ports provided																																																																					
Port Threads																																																																						
12P	0.75-14 NPTF ANSI B1.20.3	16P	1.00-11.5 NPTF ANSI B1.20.3																																																																			
12S	-12 SAE ISO 11926; SAE 1926	16S	-16 SAE ISO 11926; SAE 1926																																																																			
12B	0.75-14 BSPP ISO 1179; BS 2779	16B	1.00-11 BSPP ISO 1179; BS 2779																																																																			
12M	M27 x 2.0 ISO 6149	16M	M33 x 2.0 ISO 6149																																																																			
12T	0.75-14 BSPT ISO 7; BS 21	16T	1.00-11 BSPT ISO 7; BS 21																																																																			
		20P	1.25-11.5 NPTF ANSI B1.20.3																																																																			
		20S	-20 SAE ISO 11926; SAE 1926																																																																			
		20B	1.25-11 BSPP ISO 1179; BS 2779																																																																			
		20M	M42 x 2.0 ISO 6149																																																																			
		20T	1.25-11 BSPT ISO 7; BS 21																																																																			

For smaller ports, see previous page (p. 173).

D08 Tapping Plates

X and Y Port Tapping Plate

Tapping Plate hardware / interface seal kit is supplied. See page 180 for itemized list.



Specifications, descriptions, and dimensional data are subject to correction or change without notice or incurring obligation. Download latest catalog page revisions at www.daman.com.

Ordering Information

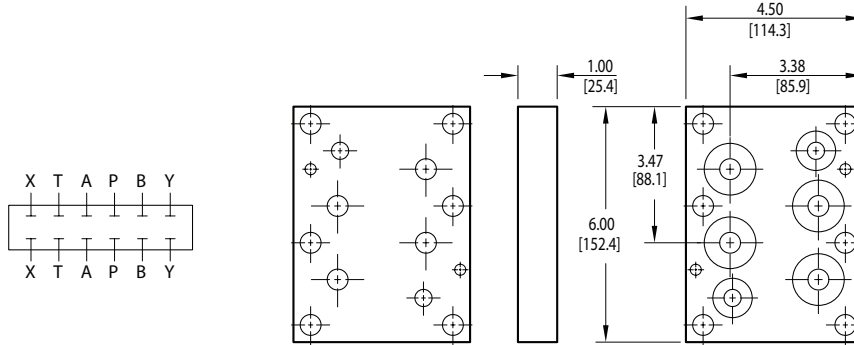
For **coating options** see pages 245-246.

Material	Valve Pattern	Product Type	Circuit	Port Threads	Thickness																																						
<table border="1"> <thead> <tr> <th colspan="2">Material</th> </tr> </thead> <tbody> <tr> <td>A</td> <td>Aluminum - 6061-T6 3000[†] psi • 20.7 MPa</td> </tr> <tr> <td>D</td> <td>Ductile Iron - D4512 5000[†] psi • 34.5 MPa</td> </tr> <tr> <td colspan="2">[†] Working pressure should be considered in accordance with ISO 4413 to determine appropriate material type.</td> </tr> </tbody> </table>	Material		A	Aluminum - 6061-T6 3000 [†] psi • 20.7 MPa	D	Ductile Iron - D4512 5000 [†] psi • 34.5 MPa	[†] Working pressure should be considered in accordance with ISO 4413 to determine appropriate material type.		<table border="1"> <thead> <tr> <th colspan="2">Valve Pattern</th> </tr> </thead> <tbody> <tr> <td>D08</td> <td>ISO 4401-08-07 NFPA T3.5.1-D08 See Tech Information</td> </tr> </tbody> </table>	Valve Pattern		D08	ISO 4401-08-07 NFPA T3.5.1-D08 See Tech Information	<table border="1"> <thead> <tr> <th colspan="2">Product Type</th> </tr> </thead> <tbody> <tr> <td>TP</td> <td>Tapping Plate</td> </tr> </tbody> </table>	Product Type		TP	Tapping Plate	<table border="1"> <thead> <tr> <th colspan="2">Circuit</th> </tr> </thead> <tbody> <tr> <td>XY</td> <td>X and Y ports provided</td> </tr> </tbody> </table>	Circuit		XY	X and Y ports provided	<table border="1"> <thead> <tr> <th colspan="2">Port Threads</th> </tr> </thead> <tbody> <tr> <td>4P</td> <td>0.25-18 NPTF ANSI B1.20.3</td> </tr> <tr> <td>4S</td> <td>-4 SAE ISO 11926; SAE 1926</td> </tr> <tr> <td>4B</td> <td>0.25-19 BSPP ISO 1179; BS 2779</td> </tr> <tr> <td>4M</td> <td>M10 x 1.0 ISO 6149</td> </tr> <tr> <td>4T</td> <td>0.25-19 BSPT ISO 7; BS 21</td> </tr> </tbody> </table>	Port Threads		4P	0.25-18 NPTF ANSI B1.20.3	4S	-4 SAE ISO 11926; SAE 1926	4B	0.25-19 BSPP ISO 1179; BS 2779	4M	M10 x 1.0 ISO 6149	4T	0.25-19 BSPT ISO 7; BS 21	<table border="1"> <thead> <tr> <th colspan="2">Thickness</th> </tr> </thead> <tbody> <tr> <td>150</td> <td>For 1.5" thickness</td> </tr> <tr> <td colspan="2">OMIT for standard 1" thickness</td> </tr> </tbody> </table>	Thickness		150	For 1.5" thickness	OMIT for standard 1" thickness	
Material																																											
A	Aluminum - 6061-T6 3000 [†] psi • 20.7 MPa																																										
D	Ductile Iron - D4512 5000 [†] psi • 34.5 MPa																																										
[†] Working pressure should be considered in accordance with ISO 4413 to determine appropriate material type.																																											
Valve Pattern																																											
D08	ISO 4401-08-07 NFPA T3.5.1-D08 See Tech Information																																										
Product Type																																											
TP	Tapping Plate																																										
Circuit																																											
XY	X and Y ports provided																																										
Port Threads																																											
4P	0.25-18 NPTF ANSI B1.20.3																																										
4S	-4 SAE ISO 11926; SAE 1926																																										
4B	0.25-19 BSPP ISO 1179; BS 2779																																										
4M	M10 x 1.0 ISO 6149																																										
4T	0.25-19 BSPT ISO 7; BS 21																																										
Thickness																																											
150	For 1.5" thickness																																										
OMIT for standard 1" thickness																																											

D08 Tapping Plates

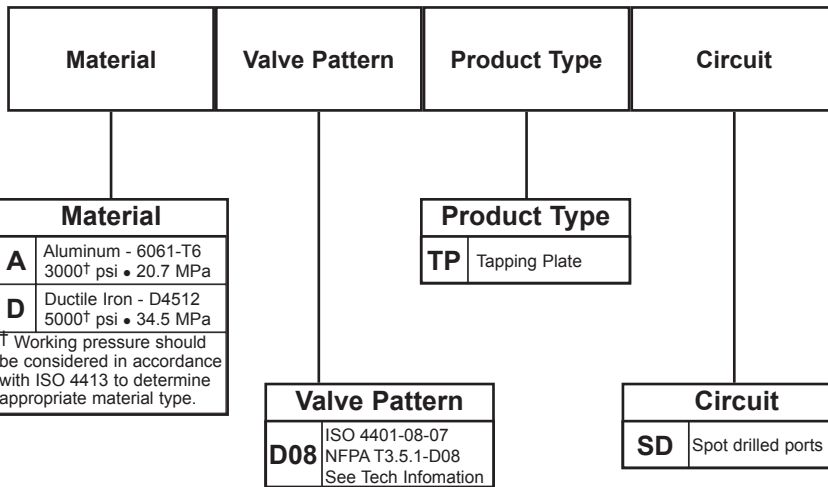
Spot Drilled Tapping Plate

Tapping Plate hardware / interface seal kit is supplied. See page 180 for itemized list.



Specifications, descriptions, and dimensional data are subject to correction or change without notice or incurring obligation. Download latest catalog page revisions at www.daman.com.

Ordering Information



For coating options see pages 245-246.

D08 Tapping Plates

D03-D08 Two Station Tapping Plate

A₁ common to A₂, B₁ common to B₂

D03 Valve mtg: UNC #10-24 x 0.62 [16] DP

Tapping Plate hardware / interface seal kit is supplied. * See page 180 for itemized list.

* (6) bolts are user supplied and must pass through valve and tapping plate to thread into manifold.

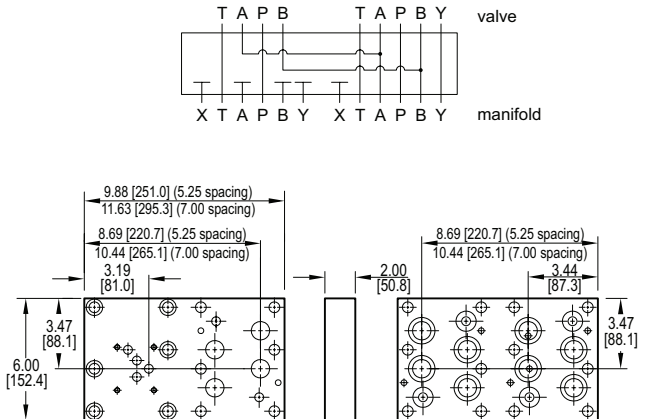
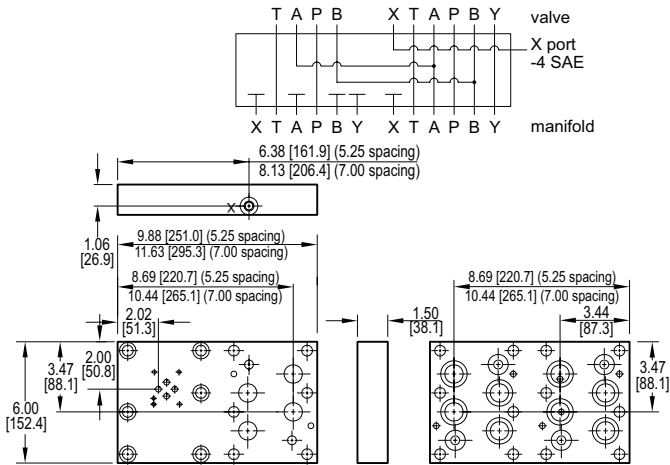
D05-D08 Two Station Tapping Plate

A₁ common to A₂, B₁ common to B₂

D05 Valve mtg: UNC 0.25-20 x 0.75 [19] DP

Tapping Plate hardware / interface seal kit is supplied. * See page 180 for itemized list.

* (6) bolts are user supplied and must pass through valve and tapping plate to thread into manifold.



Specifications, descriptions, and dimensional data are subject to correction or change without notice or incurring obligation. Download latest catalog page revisions at www.daman.com.

Ordering Information

For **coating options** see pages 245-246.

Material	Valve Pattern Station 1	Valve Pattern Station 2	Product Type	No. of Stations	Valve Spacing	Circuit
----------	-------------------------	-------------------------	--------------	-----------------	---------------	---------

Material	
A	Aluminum - 6061-T6 3000† psi • 20.7 MPa
D	Ductile Iron - D4512 5000† psi • 34.5 MPa

† Working pressure should be considered in accordance with ISO 4413 to determine appropriate material type.

Valve Station 2	
D08	ISO 4401-08-07 NFPA T3.5.1-D08 See Tech Information

No. of Stations	
02	02 Stations

Circuit	
AB	A1 common to A2 B1 common to B2

Valve Station 1	
D03	ISO 4401-03-02 NFPA T3.5.1-D03 See Tech Information
D05	ISO 4401-05-04 NFPA T3.5.1-D05 See Tech Information

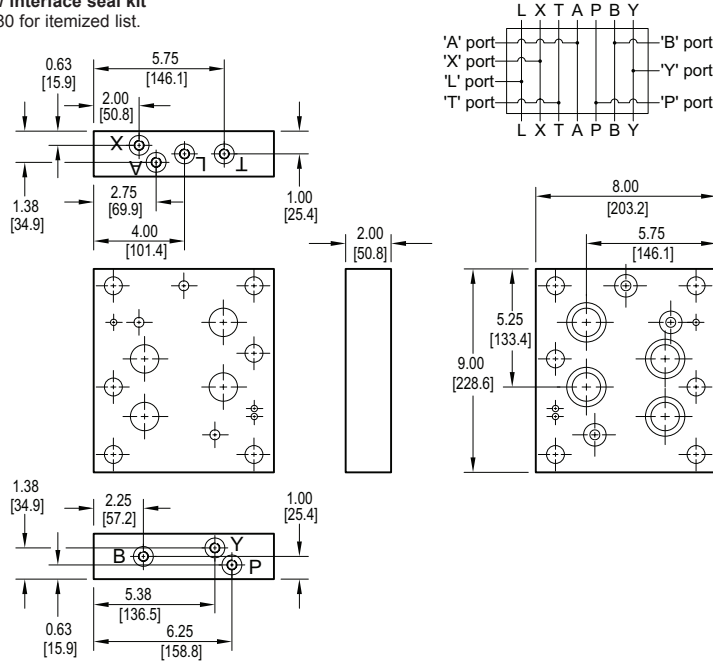
Product Type	
TP	Tapping Plate

Valve Spacing	
5	5.25 inch 133.4 mm
7	7.00 inch 177.8 mm

D10 Tapping Plates

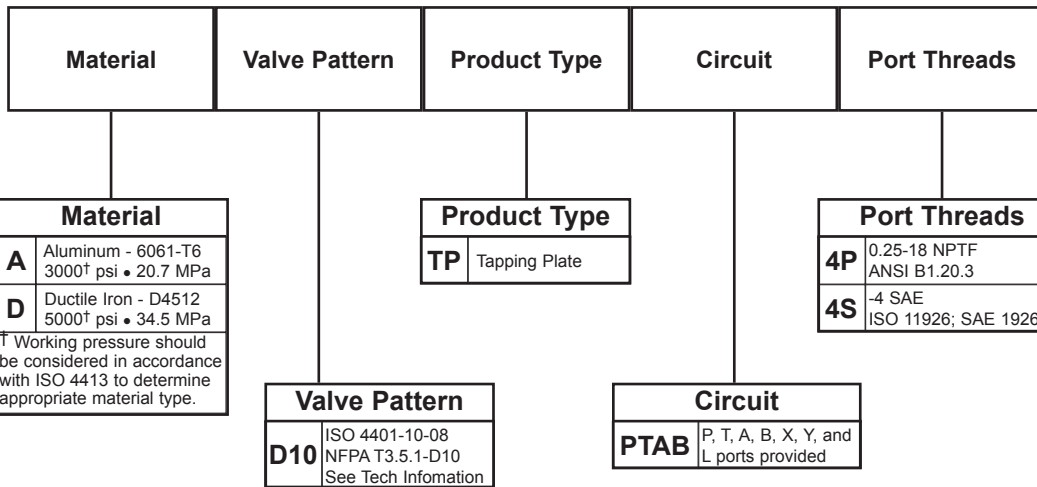
P, T, A, B, X, Y, and L Port Tapping Plate

Tapping Plate hardware / interface seal kit is supplied. See page 180 for itemized list.



Specifications, descriptions, and dimensional data are subject to correction or change without notice or incurring obligation. Download latest catalog page revisions at www.daman.com.

Ordering Information



For coating options see pages 245-246.

NOTE: Page 178-179 "Flange Mount Bodies" moved to pp. 197.15-197.16.

Tapping Plate Mounting Hardware

AVAILABLE FOR PURCHASE. ORDERING INFORMATION: REMOVE ASTERISK AND ADD "185-" TO BEGINNING OF PART NUMBER LISTED. CONSULT PRICE LIST FOR PRICING.

Part no.	Catalog pg.	Viton O-rings 90 durometer	Locating Pins	Plugs	Mounting Screws
* D03 TP PT 4P * D03 TP PT 4S * D03 TP PT 4B, M, T * D03 TP AB 4P * D03 TP AB 4S * D03 TP AB 4B, M, T * D03 TP L 4*	158	(4) -012 +(1) -008 (L port only)	(1) 0.12 dia x 0.25 long	(1) 0.25-18 NPTF LSPP (1) -4 SAE hex socket plug n/a (1) 0.25-18 NPTF LSPP (1) -4 SAE hex socket plug n/a n/a	n/a
* D03 TP SD * D03 TP OP * D03 TP BTV	159	(4) -012	(1) 0.12 dia x 0.25 long	n/a (2) 0.06-27 NPTF LSPP n/a	n/a
* D03 TP 02 * AB	160	(8) -012	(2) 0.12 dia x 0.25 long	n/a	n/a
* D05 TP PT 4P * D05 TP PT 4S * D05 TP PT 4B, M, T * D05 TP AB 4P * D05 TP AB 4S * D05 TP AB 4B, M, T * D05 TP L 4*	161	(5) -014 +(1) -011 (L port only)	n/a	(1) 0.25-18 NPTF LSPP (1) -4 SAE hex socket plug n/a (1) 0.25-18 NPTF LSPP (1) -4 SAE hex socket plug n/a n/a	n/a
* D05 TP SD * D05 TP BTV	162	(5) -014	n/a	n/a	n/a
* D05 TP 02 * AB	163	(10) -014	n/a	n/a	n/a
* D05H TP ** 4P * D05H TP ** 4S * D05H TP ** 4B, M, T	164	(2) -011, (5) -014	n/a	(1) 0.25-18 NPTF LSPP (1) -4 SAE hex socket plug n/a	n/a
* D05HE TP ** 4P * D05HE TP ** 4S * D05HE TP ** 4B, M, T	165	(7) -014	n/a	(1) 0.25-18 NPTF LSPP (1) -4 SAE hex socket plug n/a	n/a
* D05H TP XY 4P * D05H TP XY 4S * D05H TP XY 4B, M, T * D05H TP SD	166 166 166 167	(1) -011, (6) -014, and (1) -016	n/a	(3) 0.25-18 NPTF LSPP (3) -4 SAE hex socket plug n/a n/a	n/a
* D05H TP 02 * AB * D05HE TP 02 * AB	168	(4) -011, (10) -014 (14) -014	n/a	n/a	n/a
* D07 TP ** 4P * D07 TP ** 4S * D07 TP ** 4B, M, T	169	(2) -011, (4) -210	(2) 0.12 dia x 0.25 long	(1) 0.25-18 NPTF LSPP (1) -4 SAE hex socket plug n/a	n/a
* D07 TP XY 4P * D07 TP XY 4S * D07 TP XY 4B, M, T * D07 TP SD	170 170 170 171	(2) -011, (4) -210	(2) 0.12 dia x 0.25 long	(3) 0.25-18 NPTF LSPP (3) -4 SAE hex socket plug n/a n/a	n/a
* D05 D07 TP 02 4 AB	172	(4) -011, (8) -210	(4) 0.12 dia x 0.25 long	n/a	(1) UNC 0.25-20 x 2.00 SHCS & (4) 0.38-16 x 2.00 long SHCS
* D08 TP ** 4P * D08 TP ** 4S * D08 TP ** 4B, M, T	173	(2) -210, (4) -215	(2) 0.25 dia x 0.50 long	(1) 0.25-18 NPTF LSPP (1) -4 SAE hex socket plug n/a	n/a
* D08 TP XY 4P * D08 TP XY 4S * D08 TP XY 4B, M, T * D08 TP SD	174 174 174 175	(2) -210, (4) -215	(2) 0.25 dia x 0.50 long	(3) 0.25-18 NPTF LSPP (3) -4 SAE hex socket plug n/a n/a	n/a
* D03 D08 TP 02 * AB * D05 D08 TP 02 * AB	176	(4) -210, (8) -215	(4) 0.25 dia x 0.50 long	n/a	(6) UNC 0.50-13 x 1.50 SHCS (6) UNC 0.50-13 x 2.00 SHCS
* D10 TP PTAB 4*	177	(3) -210, (4) -222	(2) 0.25 dia x 0.50 long	n/a	n/a

CARTRIDGE VALVE CAVITY BODIES

DIN Cavity Bodies

ISO 7368 • DIN 24342 • NFPA T3.5.45 STANDARDS

16mm Body • XA Circuit	Page 186
16mm Body • XB Circuit	Page 187
25mm Body • XA Circuit	Page 188
25mm Body • XB Circuit	Page 189
32mm Body • XA Circuit	Page 190
32mm Body • XB Circuit	Page 191
40mm Body • XA Circuit	Page 192
40mm Body • XB Circuit	Page 193
50mm Body • XA Circuit	Page 194
50mm Body • XB Circuit	Page 195
63mm Body • XA Circuit	Page 196
63mm Body • XB Circuit	Page 197

Sun Cavity Bodies

17-4 Stainless Steel	Pages 197.2-197.4
Aluminum	Pages 197.5-197.7
Ductile	Pages 197.5-197.7
Aluminum With Gauge Ports	Pages 197.8-197.10
Ductile With Gauge Ports	Pages 197.8-197.10

Common Cavity Bodies

Aluminum	Pages 197.11-197.12
Ductile	Pages 197.11-197.12
Aluminum With Gauge Ports	Pages 197.13-197.14
Ductile With Gauge Ports	Pages 197.13-197.14

Sun-Common Cavity Body Mounting Hardware

Pages 197.15-197.16

Flange Mount Bodies

Aluminum	Page 197.17
Ductile	Page 197.18



DIN Bodies

The pages in this section are our standard product offerings for DIN bodies. If you need a custom DIN body solution please visit www.daman.com for Request For Quote (RFQ) instructions.

The next two pages contain information about our tooling, inspection and advanced capabilities for creating custom DIN products.

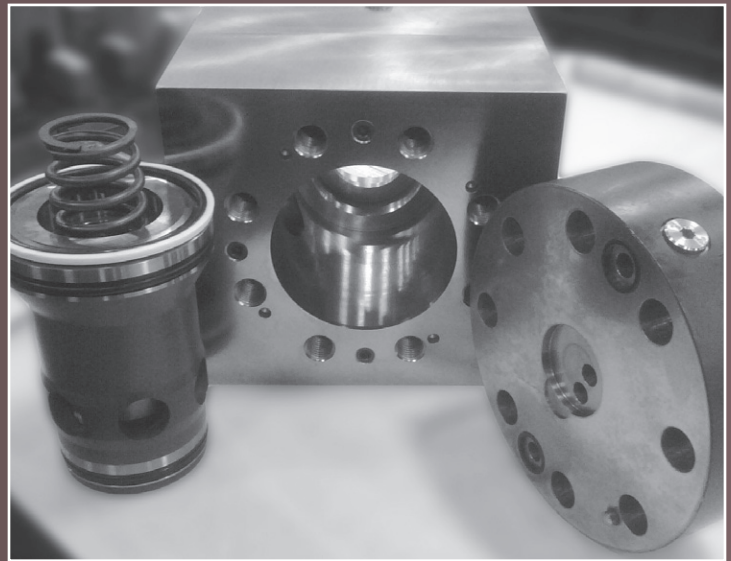


LOGIC VALVE MANIFOLDS

Daman provides both standard and custom logic valve manifolds and bodies. Our team is able to repeatedly meet the high tolerances required in logic valve technology with the help of our dedicated tooling for eight different valve sizes.

Material grades for our logic valve cavities include: aluminum, ductile iron and other grades of steel.

- We have invested over \$320,000 in dedicated tooling and inspection equipment.
- Air gauge equipment includes air spindles and master ring gauges to inspect diameters, taper, and roundness to plus or minus one ten-thousandth of an inch.
- We use profilometers to measure surface finish inside the cavities.
- All Daman manifolds are washed in an ultrasonic wash to remove machining particles and provide light corrosion protection.



The last thing you should have to worry about is your logic valve manifold quality.

To learn more about Daman's logic valve cavities, please contact us.

1811 North Home Street, Mishawaka, Indiana 46545-7267 USA

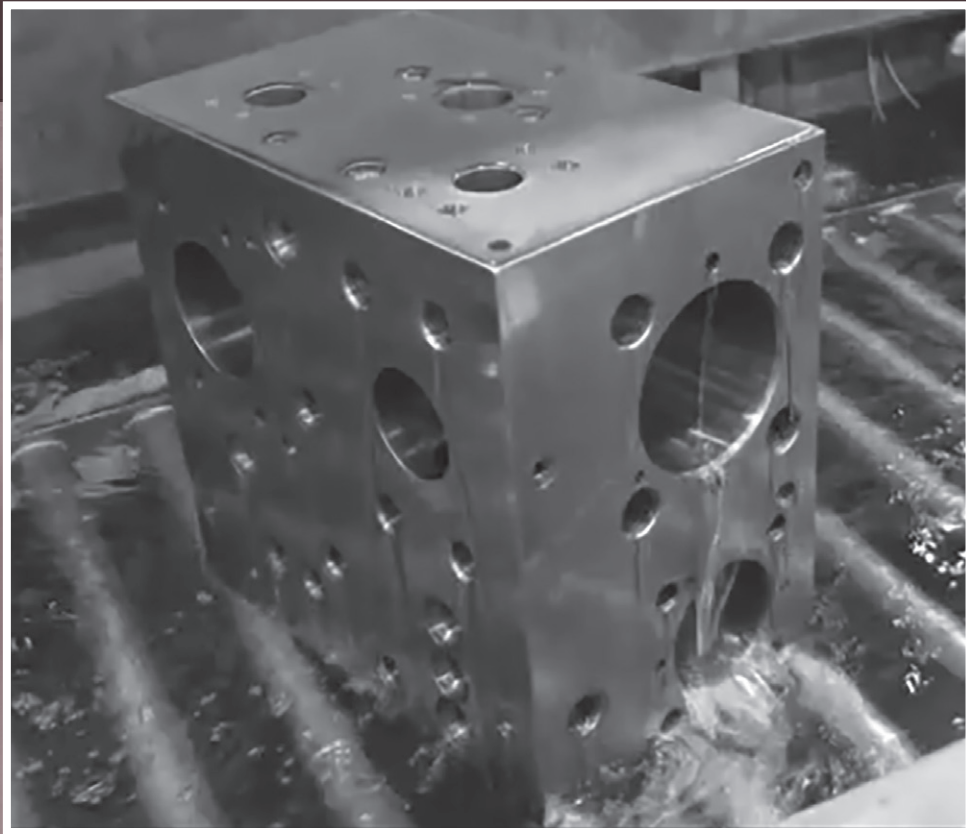
North America: 800.959.7841 • Fax: 800.241.7664

International: Tel: +1.574.259.7841 • Fax: +1.574.259.7665

Email: sales@daman.com • Web: www.daman.com

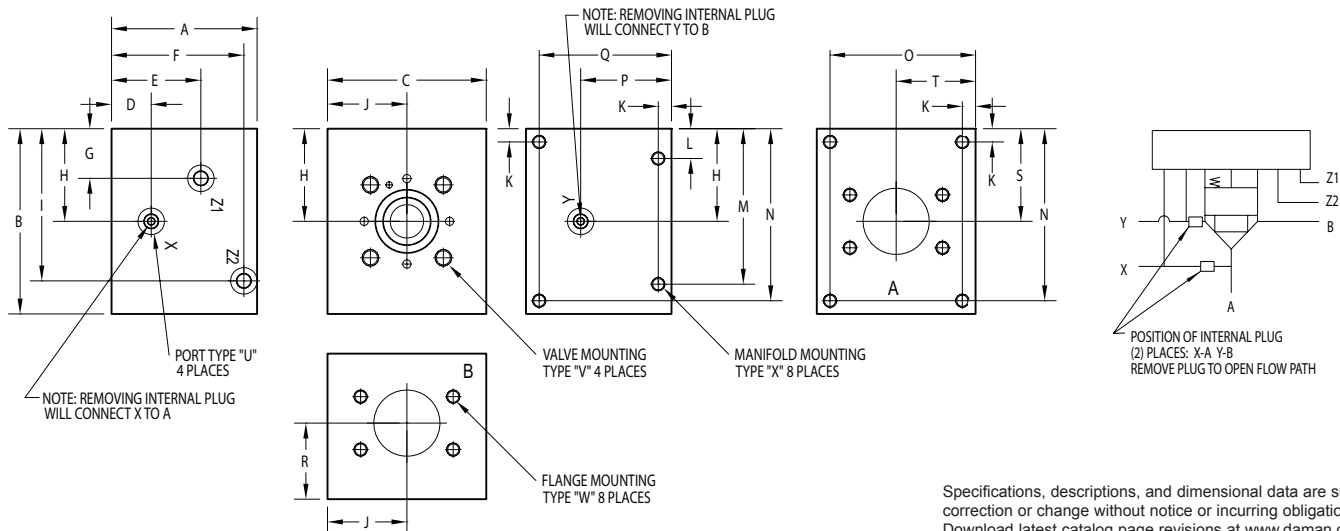
ULTRASONIC WASH

Daman's commitment to ultrasonic wash technology includes a \$750,000 capital investment to remove machining particles and provide light corrosion protection.




Daman[®]
www.daman.com

16mm Body • XA Circuit

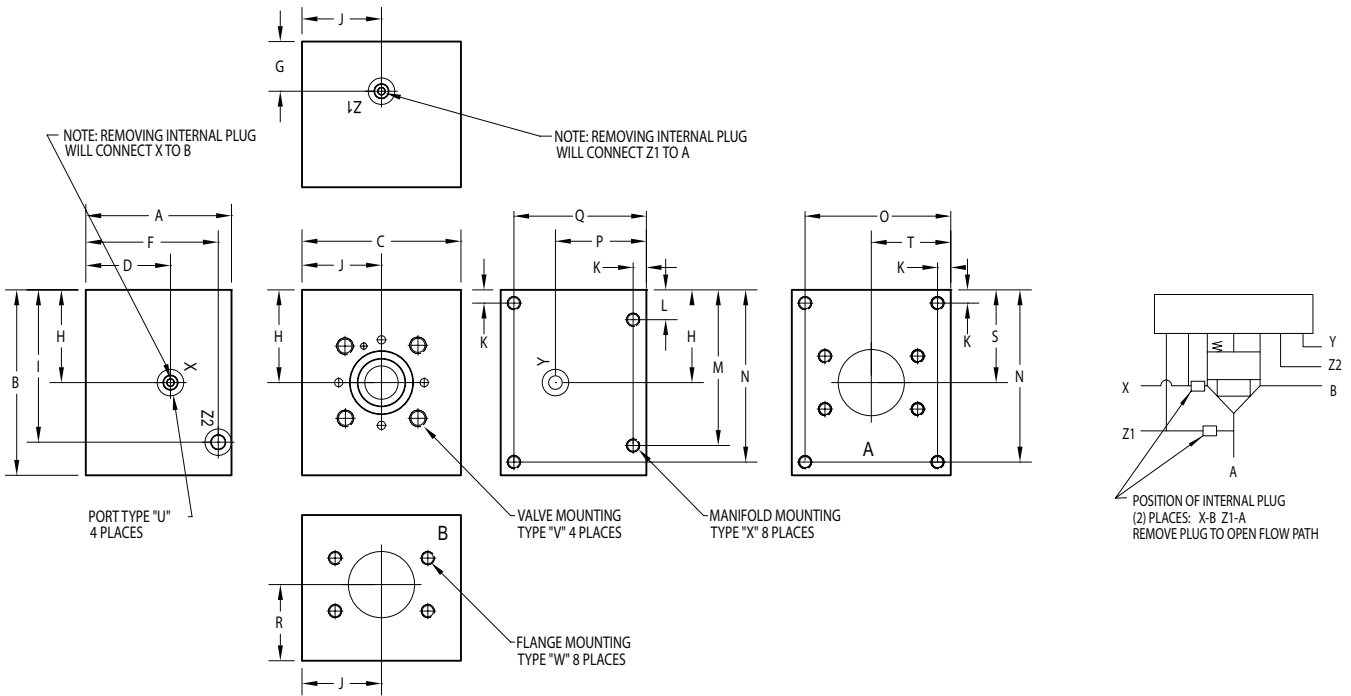


Specifications, descriptions, and dimensional data are subject to correction or change without notice or incurring obligation. Download latest catalog page revisions at www.daman.com.

PART NO.	A	B	C	D	E	F	G	H	I	J	K	L	M	N	O	P
*16XA16F61	3.50	4.00	3.00	1.00	1.56	2.00	0.75	1.63	2.63	1.50	0.31	0.69	3.31	3.69	2.69	2.14
*16XA16F61M	[88.9]	[101.6]	[76.2]	[25.4]	[39.7]	[50.8]	[19.1]	[41.3]	[66.7]	[38.1]	[7.9]	[17.5]	[84.1]	[93.7]	[68.3]	[54.3]
*16XB16F61	3.50	4.00	3.00	2.14	--	2.00	1.00	1.63	2.63	1.50	0.31	0.69	3.31	3.69	2.69	2.14
*16XB16F61M	[88.9]	[101.6]	[76.2]	[54.3]	--	[50.8]	[25.4]	[41.3]	[66.7]	[38.1]	[7.9]	[17.5]	[84.1]	[93.7]	[68.3]	[54.3]
D16XA16F62	3.50	4.25	3.50	1.00	1.56	2.00	0.88	1.88	2.88	1.75	0.31	0.69	3.56	3.94	3.19	2.14
D16XA16F62M	[88.9]	[108.0]	[88.9]	[25.4]	[39.7]	[50.8]	[22.2]	[47.6]	[73.0]	[44.5]	[7.9]	[17.5]	[90.5]	[100.0]	[81.0]	[54.3]
D16XB16F62	3.50	4.25	3.50	2.14	--	2.00	1.00	1.88	2.88	1.75	0.31	0.69	3.56	3.94	3.19	2.14
D16XB16F62M	[88.9]	[108.0]	[88.9]	[54.3]	--	[50.8]	[25.4]	[47.6]	[73.0]	[44.5]	[7.9]	[17.5]	[90.5]	[100.0]	[81.0]	[54.3]
*16XA20F61	3.50	4.00	3.50	1.00	2.14	2.14	0.63	1.63	2.63	1.75	0.31	0.66	3.34	3.69	3.19	2.14
*16XA20F61M	[88.9]	[101.6]	[88.9]	[25.4]	[54.3]	[54.3]	[15.9]	[41.3]	[66.7]	[44.5]	[7.9]	[16.7]	[84.9]	[93.6]	[81.0]	[54.3]
*16XB20F61	3.50	4.00	3.50	2.14	--	2.14	1.00	1.63	2.63	1.75	0.31	0.66	3.34	3.69	3.19	2.14
*16XB20F61M	[88.9]	[101.6]	[88.9]	[54.3]	--	[54.3]	[25.4]	[41.3]	[66.7]	[44.5]	[7.9]	[16.7]	[84.9]	[93.6]	[81.0]	[54.3]
D16XA20F62	4.00	4.50	4.00	1.50	2.64	2.50	1.13	2.13	3.13	2.00	0.38	0.88	3.63	4.13	3.63	2.64
D16XA20F62M	[101.6]	[114.3]	[101.6]	[38.1]	[67.1]	[63.5]	[28.6]	[54.0]	[79.4]	[50.8]	[9.5]	[22.2]	[92.1]	[104.8]	[92.1]	[67.1]
D16XB20F62	4.00	4.50	4.00	2.64	--	2.50	1.50	2.13	3.13	2.00	0.38	0.88	3.63	4.13	3.63	2.64
D16XB20F62M	[101.6]	[114.3]	[101.6]	[67.1]	--	[63.5]	[38.1]	[54.0]	[79.4]	[50.8]	[9.5]	[22.2]	[92.1]	[104.8]	[92.1]	[67.1]

PART NO.	Q	R	S	T	U pilot port size	V valve mounting	W flange mounting	X manifold mounting
*16XA16F61	3.19	2.14	1.63	1.50	SAE #4	0.31 UNC x 0.88 DP	0.38 UNC x 0.88 DP	0.31 UNC x 0.63 DP
*16XA16F61M	[81.0]	[54.3]	[41.3]	[38.1]	ISO 6149 M10	M8 ISO 6H x [22] DP	M10 ISO 6H x [22] DP	M8 ISO 6H x [16] DP
*16XB16F61	3.19	2.14	1.63	1.50	SAE #4	0.31 UNC x 0.88 DP	0.38 UNC x 0.88 DP	0.31 UNC x 0.63 DP
*16XB16F61M	[81.0]	[54.3]	[41.3]	[38.1]	ISO 6149 M10	M8 ISO 6H x [22] DP	M10 ISO 6H x [22] DP	M8 ISO 6H x [16] DP
D16XA16F62	3.19	2.00	1.88	1.75	SAE #4	0.31 UNC x 0.88 DP	0.44 UNC x 1.12 DP	0.31 UNC x 0.63 DP
D16XA16F62M	[81.0]	[50.8]	[47.6]	[44.5]	ISO 6149 M10	M8 ISO 6H x [22] DP	M12 ISO 6H x [30] DP	M8 ISO 6H x [16] DP
D16XB16F62	3.19	2.00	1.88	1.75	SAE #4	0.31 UNC x 0.88 DP	0.44 UNC x 1.12 DP	0.31 UNC x 0.63 DP
D16XB16F62M	[81.0]	[50.8]	[47.6]	[44.5]	ISO 6149 M10	M8 ISO 6H x [22] DP	M12 ISO 6H x [30] DP	M8 ISO 6H x [16] DP
*16XA20F61	3.19	2.14	1.67	1.75	SAE #4	0.31 UNC x 0.88 DP	0.44 UNC x 1.12 DP	0.31 UNC x 0.63 DP
*16XA20F61M	[81.0]	[54.3]	[42.5]	[44.5]	ISO 6149 M10	M8 ISO 6H x [22] DP	M10 ISO 6H x [28] DP	M8 ISO 6H x [16] DP
*16XB20F61	3.19	2.14	1.67	1.75	SAE #4	0.31 UNC x 0.88 DP	0.44 UNC x 1.12 DP	0.31 UNC x 0.63 DP
*16XB20F61M	[81.0]	[54.3]	[42.5]	[44.5]	ISO 6149 M10	M8 ISO 6H x [22] DP	M10 ISO 6H x [28] DP	M8 ISO 6H x [16] DP
D16XA20F62	3.63	2.47	2.13	2.00	SAE #4	0.31 UNC x 0.88 DP	0.50 UNC x 1.19 DP	0.38 UNC x 1.00 DP
D16XA20F62M	[92.1]	[62.7]	[54.0]	[50.8]	ISO 6149 M10	M8 ISO 6H x [22] DP	M12 ISO 6H x [30] DP	M10 ISO 6H x [25] DP
D16XB20F62	3.63	2.47	2.13	2.00	SAE #4	0.31 UNC x 0.88 DP	0.50 UNC x 1.19 DP	0.38 UNC x 1.00 DP
D16XB20F62M	[92.1]	[62.7]	[54.0]	[50.8]	ISO 6149 M10	M8 ISO 6H x [22] DP	M12 ISO 6H x [30] DP	M10 ISO 6H x [25] DP

16mm Body • XB Circuit



Specifications, descriptions, and dimensional data are subject to correction or change without notice or incurring obligation. Download latest catalog page revisions at www.daman.com.

Ordering Information

For coating options see pages 245-246.

Material	Valve Cavity	Pilot Circuit	A & B Port Size	Flange Rating	Thread Type
----------	--------------	---------------	-----------------	---------------	-------------

Material	
A	Aluminum - 6061-T6 3000 [†] psi • 20.7 MPa
D	Ductile Iron - D4512 5000 [†] psi • 34.5 MPa

[†] Working pressure should be considered in accordance with ISO 4413 to determine appropriate material type.

Pilot Circuit	
XA	X common to A Y common to B
XB	X common to B Z1 common to A

These connections are furnished plugged (external pilot ports). Remove plugs for internal pilot ports. See circuit diagram.

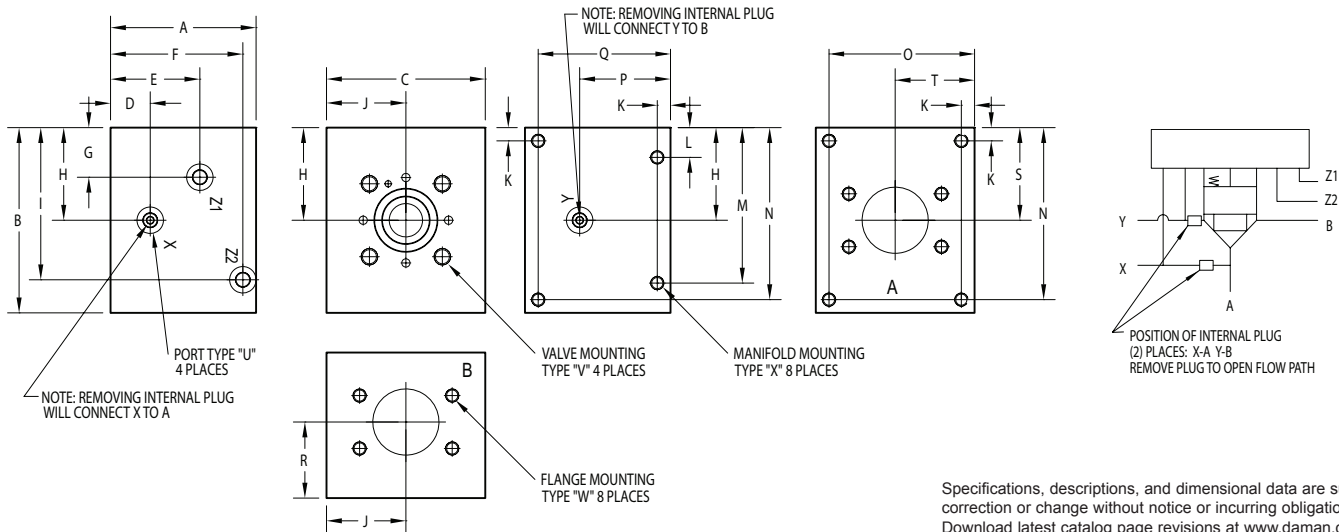
Flange Rating	
Aluminum or Ductile	
61	ISO 6162 - 2.5 to 35 MPa SAE code 61
Ductile only	
62	ISO 6162 - 40 MPa series SAE code 62

Valve Cavity	
16	DIN 24342 - 16mm ISO 7368-06-01 (Standard currently under revision) NFPA T3.5.45-BA-06-2-A

A & B Port Size	
16F	ISO 6162 - DN25 Split Flange SAE Size 16 (1.00") Flange
20F	ISO 6162 - DN32 Split Flange SAE Size 20 (1.25") Flange

Thread Type	
Omit	Inch threads / ports
M	Metric threads / ports

25mm Body • XA Circuit

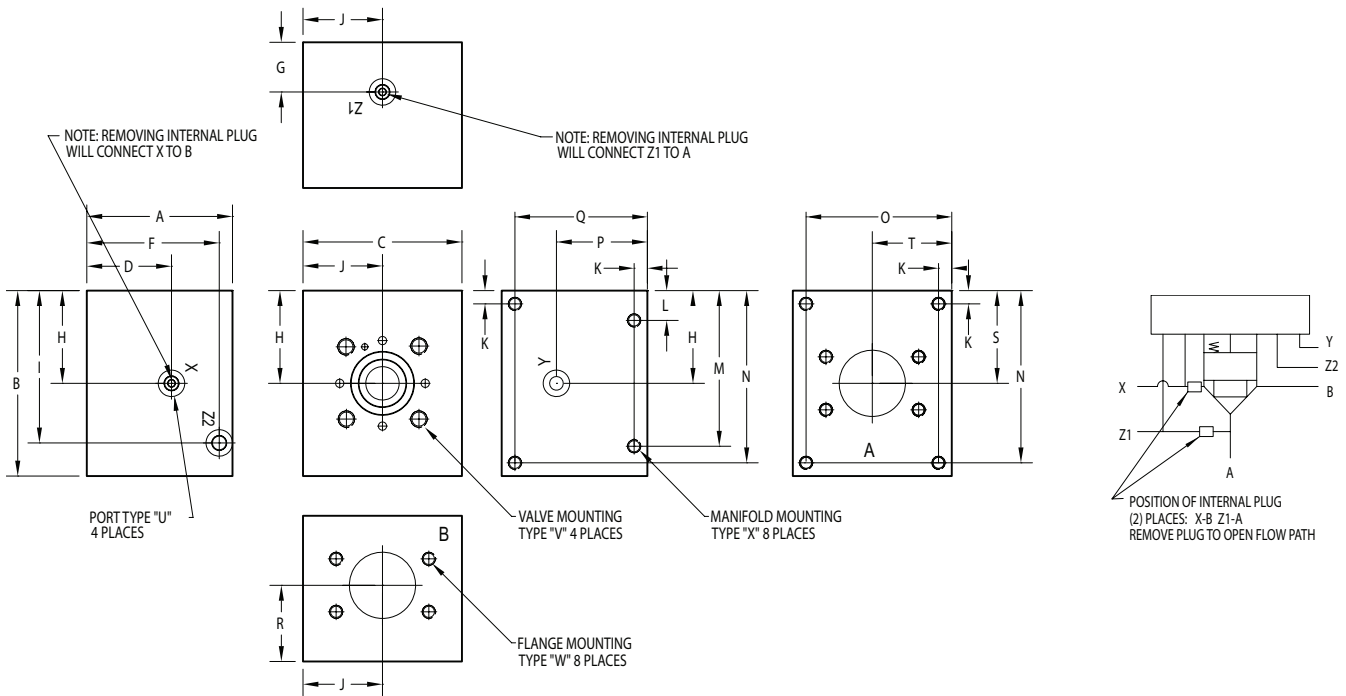


Specifications, descriptions, and dimensional data are subject to correction or change without notice or incurring obligation. Download latest catalog page revisions at www.daman.com.

PART NO.	A	B	C	D	E	F	G	H	I	J	K	L	M	N	O	P
*25XA20F61	4.00	5.00	4.50	0.75	2.13	3.50	0.53	1.88	3.75	2.25	0.38	0.88	4.13	4.63	4.13	2.25
*25XA20F61M	[101.6]	[127.0]	[114.3]	[19.1]	[54.0]	[88.9]	[13.5]	[47.6]	[95.3]	[57.2]	[9.5]	[22.2]	[104.8]	[117.5]	[104.8]	[57.2]
*25XB20F61	4.00	5.00	4.50	2.25	--	3.50	0.75	1.88	3.75	2.25	0.38	0.88	4.13	4.63	4.13	2.25
*25XB20F61M	[101.6]	[127.0]	[114.3]	[57.2]	--	[88.9]	[19.1]	[47.6]	[95.3]	[57.2]	[9.5]	[22.2]	[104.8]	[117.5]	[104.8]	[57.2]
D25XA20F62	4.00	5.00	4.50	0.75	2.13	3.50	0.72	2.06	3.94	2.25	0.38	0.88	4.13	4.63	4.13	2.25
D25XA20F62M	[101.6]	[127.0]	[114.3]	[19.1]	[54.0]	[88.9]	[18.3]	[52.4]	[100.0]	[57.2]	[9.5]	[22.2]	[104.8]	[117.5]	[104.8]	[57.2]
D25XB20F62	4.00	5.00	4.50	2.25	--	3.50	0.75	2.06	3.94	2.25	0.38	0.88	4.13	4.63	4.13	2.25
D25XB20F62M	[101.6]	[127.0]	[114.3]	[57.2]	--	[88.9]	[19.1]	[52.4]	[100.0]	[57.2]	[9.5]	[22.2]	[104.8]	[117.5]	[104.8]	[57.2]
*25XA32F61	5.00	6.00	4.50	1.75	3.13	4.50	1.53	2.88	4.75	2.25	0.50	1.13	4.88	5.50	4.00	3.25
*25XA32F61M	[127.0]	[152.4]	[114.3]	[44.5]	[79.4]	[114.3]	[38.9]	[73.0]	[120.7]	[57.2]	[12.7]	[28.6]	[123.8]	[139.7]	[101.6]	[82.6]
*25XB32F61	5.00	6.00	4.50	3.25	--	4.50	1.75	2.88	4.75	2.25	0.50	1.13	4.88	5.50	4.00	3.25
*25XB32F61M	[127.0]	[152.4]	[114.3]	[82.6]	--	[114.3]	[44.5]	[73.0]	[120.7]	[57.2]	[12.7]	[28.6]	[123.8]	[139.7]	[101.6]	[82.6]
D25XA32F62	5.00	6.50	6.00	1.75	3.13	4.50	1.78	3.13	5.00	3.00	0.50	1.13	5.38	6.00	5.50	3.25
D25XA32F62M	[127.0]	[165.1]	[152.4]	[44.5]	[79.4]	[114.3]	[45.2]	[79.4]	[127.0]	[76.2]	[12.7]	[28.6]	[136.5]	[152.4]	[139.7]	[82.6]
D25XB32F62	5.00	6.50	6.00	3.25	--	4.50	1.75	3.13	5.00	3.00	0.50	1.13	5.38	6.00	5.50	3.25
D25XB32F62M	[101.6]	[165.1]	[152.4]	[82.6]	--	[114.3]	[44.5]	[79.4]	[127.0]	[76.2]	[12.7]	[28.6]	[136.5]	[152.4]	[139.7]	[82.6]

PART NO.	Q	R	S	T	U pilot port size	V valve mounting	W flange mounting	X manifold mounting
*25XA20F61	3.63	2.25	1.88	2.25	SAE #6	0.50 UNC x 1.19 DP	0.44 UNC x 1.12 DP	0.38 UNC x 0.75 DP
*25XA20F61M	[92.1]	[57.2]	[47.6]	[57.2]	ISO 6149 M14	M12 ISO 6H x 30 DP	M10 ISO 6H x 28 DP	M10 ISO 6H x 19 DP
*25XB20F61	3.63	2.25	1.88	2.25	SAE #6	0.50 UNC x 1.19 DP	0.44 UNC x 1.12 DP	0.38 UNC x 0.75 DP
*25XB20F61M	[92.1]	[57.2]	[47.6]	[57.2]	ISO 6149 M14	M12 ISO 6H x 30 DP	M10 ISO 6H x 28 DP	M10 ISO 6H x 19 DP
D25XA20F62	3.63	2.25	2.06	2.25	SAE #6	0.50 UNC x 1.19 DP	0.50 UNC x 1.19 DP	0.38 UNC x 1.00 DP
D25XA20F62M	[92.1]	[57.2]	[52.4]	[57.2]	ISO 6149 M14	M12 ISO 6H x 30 DP	M12 ISO 6H x 30 DP	M10 ISO 6H x 25 DP
D25XB20F62	3.63	2.25	2.06	2.25	SAE #6	0.50 UNC x 1.19 DP	0.50 UNC x 1.19 DP	0.38 UNC x 1.00 DP
D25XB20F62M	[92.1]	[57.2]	[52.4]	[57.2]	ISO 6149 M14	M12 ISO 6H x 30 DP	M12 ISO 6H x 30 DP	M10 ISO 6H x 25 DP
*25XA32F61	4.50	2.75	2.88	2.25	SAE #6	0.50 UNC x 1.19 DP	0.50 UNC x 1.19 DP	0.50 UNC x 1.00 DP
*25XA32F61M	[114.3]	[69.9]	[73.0]	[57.2]	ISO 6149 M14	M12 ISO 6H x 30 DP	M12 ISO 6H x 30 DP	M12 ISO 6H x 25 DP
*25XB32F61	4.50	2.75	2.88	2.25	SAE #6	0.50 UNC x 1.19 DP	0.50 UNC x 1.19 DP	0.50 UNC x 1.00 DP
*25XB32F61M	[114.3]	[69.9]	[73.0]	[57.2]	ISO 6149 M14	M12 ISO 6H x 30 DP	M12 ISO 6H x 30 DP	M12 ISO 6H x 25 DP
D25XA32F62	4.50	2.75	3.13	3.00	SAE #6	0.50 UNC x 1.19 DP	0.75 UNC x 1.62 DP	0.50 UNC x 1.00 DP
D25XA32F62M	[114.3]	[69.9]	[79.4]	[76.2]	ISO 6149 M14	M12 ISO 6H x 30 DP	M20 ISO 6H x 41 DP	M12 ISO 6H x 25 DP
D25XB32F62	4.50	2.75	3.13	3.00	SAE #6	0.50 UNC x 1.19 DP	0.75 UNC x 1.62 DP	0.50 UNC x 1.00 DP
D25XB32F62M	[114.3]	[69.9]	[79.4]	[76.2]	ISO 6149 M14	M12 ISO 6H x 30 DP	M20 ISO 6H x 41 DP	M12 ISO 6H x 25 DP

25mm Body • XB Circuit



Specifications, descriptions, and dimensional data are subject to correction or change without notice or incurring obligation. Download latest catalog page revisions at www.daman.com.

Ordering Information

For **coating options** see pages 245-246.

Material	Valve Cavity	Pilot Circuit	A & B Port Size	Flange Rating	Thread Type
----------	--------------	---------------	-----------------	---------------	-------------

Material	
A	Aluminum - 6061-T6 3000† psi • 20.7 MPa
D	Ductile Iron - D4512 5000† psi • 34.5 MPa

† Working pressure should be considered in accordance with ISO 4413 to determine appropriate material type.

Pilot Circuit	
XA	X common to A Y common to B
XB	X common to B Z1 common to A

These connections are furnished plugged (external pilot ports). Remove plugs for internal pilot ports. See circuit diagram.

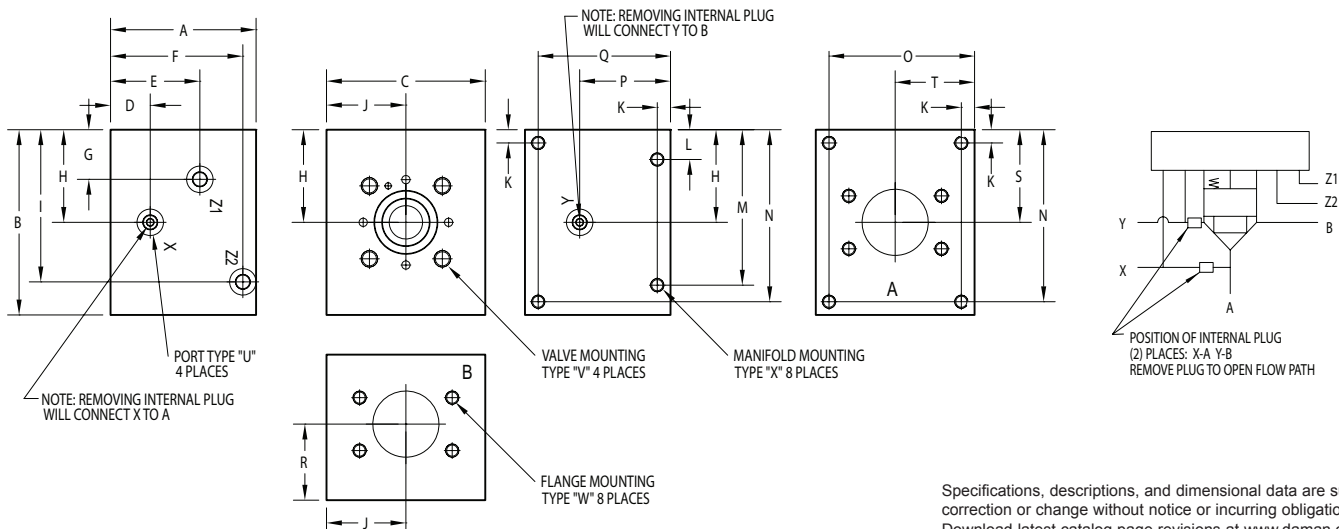
Flange Rating	
Aluminum or Ductile	
61	ISO 6162 - 2.5 to 35 MPa SAE code 61
Ductile only	
62	ISO 6162 - 40 MPa series SAE code 62

Valve Cavity	
25	DIN 24342 - 25mm ISO 7368-08-03 (Standard currently under revision) NFPA T3.5.45-BB-08-2-A

A & B Port Size	
20F	ISO 6162 - DN32 Split Flange SAE Size 20 (1.25") Flange
32F	ISO 6162 - DN51 Split Flange SAE Size 32 (2.00") Flange

Thread Type	
Omit	Inch threads / ports
M	Metric threads / ports

32mm Body • XA Circuit

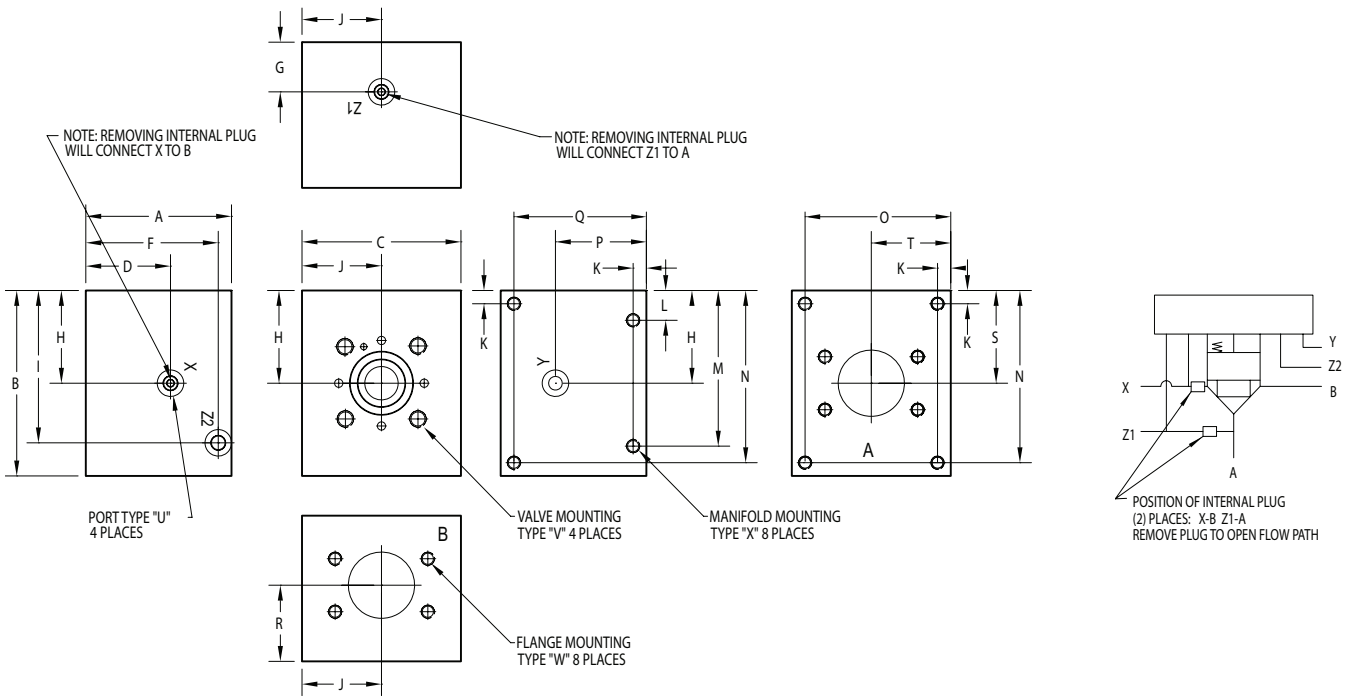


Specifications, descriptions, and dimensional data are subject to correction or change without notice or incurring obligation. Download latest catalog page revisions at www.daman.com.

PART NO.	A	B	C	D	E	F	G	H	I	J	K	L	M	N	O	P
*32XA24F61	5.50	6.00	6.00	1.50	3.38	5.00	0.88	2.50	4.75	3.00	0.50	1.13	4.88	5.50	5.50	3.43
*32XA24F61M	[139.7]	[152.4]	[152.4]	[38.1]	[85.7]	[127.0]	[22.2]	[63.5]	[120.7]	[76.2]	[12.7]	[28.6]	[123.8]	[139.7]	[139.7]	[87.2]
*32XB24F61	5.50	6.00	6.00	3.43	--	5.00	1.50	2.50	4.75	3.00	0.50	1.13	4.88	5.50	5.50	3.43
*32XB24F61M	[139.7]	[152.4]	[152.4]	[87.2]	--	[127.0]	[38.1]	[63.5]	[120.7]	[76.2]	[12.7]	[28.6]	[123.8]	[139.7]	[139.7]	[87.2]
D32XA24F62	5.50	6.00	6.00	1.50	3.38	5.00	0.88	2.50	4.75	3.00	0.50	1.13	4.88	5.50	5.50	3.43
D32XA24F62M	[139.7]	[152.4]	[152.4]	[38.1]	[85.7]	[127.0]	[22.2]	[63.5]	[120.7]	[76.2]	[12.7]	[28.6]	[123.8]	[139.7]	[139.7]	[87.2]
D32XB24F62	5.50	6.00	6.00	3.43	--	5.00	1.50	2.50	4.75	3.00	0.50	1.13	4.88	5.50	5.50	3.43
D32XB24F62M	[139.7]	[152.4]	[152.4]	[87.2]	--	[127.0]	[38.1]	[63.5]	[120.7]	[76.2]	[12.7]	[28.6]	[123.8]	[139.7]	[139.7]	[87.2]
*32XA40F61	5.50	7.00	6.00	1.50	3.38	5.00	1.88	3.50	5.75	3.00	0.50	1.13	5.88	6.50	5.50	3.43
*32XA40F61M	[139.7]	[177.8]	[152.4]	[38.1]	[85.7]	[127.0]	[47.6]	[88.9]	[146.1]	[76.2]	[12.7]	[28.6]	[149.2]	[165.1]	[139.7]	[87.2]
*32XB40F61	5.50	7.00	6.00	3.43	--	5.00	1.50	3.50	5.75	3.00	0.50	1.13	5.88	6.50	5.50	3.43
*32XB40F61M	[139.7]	[177.8]	[152.4]	[87.2]	--	[127.0]	[38.1]	[88.9]	[146.1]	[76.2]	[12.7]	[28.6]	[149.2]	[165.1]	[139.7]	[87.2]
D32XA40F62	6.50	8.00	7.50	2.50	4.38	6.00	2.38	4.00	6.25	3.75	0.63	1.38	6.63	7.38	6.88	4.43
D32XA40F62M	[165.1]	[203.2]	[190.5]	[63.5]	[111.1]	[152.4]	[60.3]	[101.6]	[158.8]	[95.3]	[15.9]	[34.9]	[168.3]	[187.3]	[174.6]	[112.6]
D32XB40F62	6.50	8.00	7.50	4.43	--	6.00	2.50	4.00	6.25	3.75	0.63	1.38	6.63	7.38	6.88	4.43
D32XB40F62M	[165.1]	[203.2]	[190.5]	[112.6]	--	[152.4]	[63.5]	[101.6]	[158.8]	[95.3]	[15.9]	[34.9]	[168.3]	[187.3]	[174.6]	[112.6]

PART NO.	Q	R	S	T	U pilot port size	V valve mounting	W flange mounting	X manifold mounting
*32XA24F61	5.00	3.43	2.50	3.00	SAE #6	0.63 UNC x 1.44 DP	0.50 UNC x 1.19 DP	0.50 UNC x 1.00 DP
*32XA24F61M	[127.0]	[87.2]	[63.5]	[76.2]	ISO 6149 M14	M16 ISO 6H x 36 DP	M12 ISO 6H x 30 DP	M12 ISO 6H x 25 DP
*32XB24F61	5.00	3.43	2.50	3.00	SAE #6	0.63 UNC x 1.44 DP	0.50 UNC x 1.19 DP	0.50 UNC x 1.00 DP
*32XB24F61M	[127.0]	[87.2]	[63.5]	[76.2]	ISO 6149 M14	M16 ISO 6H x 36 DP	M12 ISO 6H x 30 DP	M12 ISO 6H x 25 DP
D32XA24F62	5.00	3.43	2.50	3.00	SAE #6	0.63 UNC x 1.44 DP	0.63 UNC x 1.44 DP	0.50 UNC x 1.00 DP
D32XA24F62M	[127.0]	[87.2]	[63.5]	[76.2]	ISO 6149 M14	M16 ISO 6H x 36 DP	M16 ISO 6H x 36 DP	M12 ISO 6H x 25 DP
D32XB24F62	5.00	3.43	2.50	3.00	SAE #6	0.63 UNC x 1.44 DP	0.63 UNC x 1.44 DP	0.50 UNC x 1.00 DP
D32XB24F62M	[127.0]	[87.2]	[63.5]	[76.2]	ISO 6149 M14	M16 ISO 6H x 36 DP	M16 ISO 6H x 36 DP	M12 ISO 6H x 25 DP
*32XA40F61	5.00	2.88	3.50	3.00	SAE #6	0.63 UNC x 1.44 DP	0.50 UNC x 1.19 DP	0.50 UNC x 1.00 DP
*32XA40F61M	[127.0]	[73.0]	[88.9]	[76.2]	ISO 6149 M14	M16 ISO 6H x 36 DP	M12 ISO 6H x 30 DP	M12 ISO 6H x 25 DP
*32XB40F61	5.00	2.88	3.50	3.00	SAE #6	0.63 UNC x 1.44 DP	0.50 UNC x 1.19 DP	0.50 UNC x 1.00 DP
*32XB40F61M	[127.0]	[73.0]	[88.9]	[76.2]	ISO 6149 M14	M16 ISO 6H x 36 DP	M12 ISO 6H x 30 DP	M12 ISO 6H x 25 DP
D32XA40F62	5.88	3.38	4.00	3.75	SAE #6	0.63 UNC x 1.44 DP	0.88 UNC x 1.88 DP	0.63 UNC x 1.44 DP
D32XA40F62M	[149.2]	[85.7]	[101.6]	[95.3]	ISO 6149 M14	M16 ISO 6H x 36 DP	M24 ISO 6H x 48 DP	M16 ISO 6H x 36 DP
D32XB40F62	5.88	3.38	4.00	3.75	SAE #6	0.63 UNC x 1.44 DP	0.88 UNC x 1.88 DP	0.63 UNC x 1.44 DP
D32XB40F62M	[149.2]	[85.7]	[101.6]	[95.3]	ISO 6149 M14	M16 ISO 6H x 36 DP	M24 ISO 6H x 48 DP	M16 ISO 6H x 36 DP

32mm Body • XB Circuit



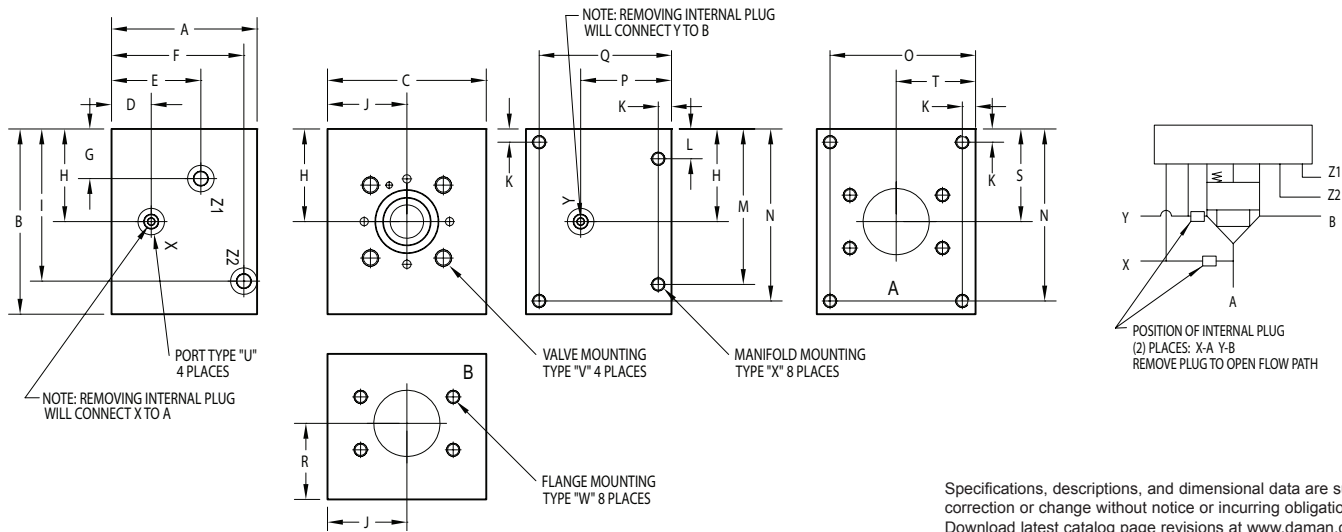
Specifications, descriptions, and dimensional data are subject to correction or change without notice or incurring obligation. Download latest catalog page revisions at www.daman.com.

Ordering Information

For coating options see pages 245-246.

Material	Valve Cavity	Pilot Circuit	A & B Port Size	Flange Rating	Thread Type																																										
<table border="1"> <thead> <tr> <th colspan="2">Material</th> </tr> </thead> <tbody> <tr> <td>A</td> <td>Aluminum - 6061-T6 3000† psi • 20.7 MPa</td> </tr> <tr> <td>D</td> <td>Ductile Iron - D4512 5000† psi • 34.5 MPa</td> </tr> <tr> <td colspan="2">† Working pressure should be considered in accordance with ISO 4413 to determine appropriate material type.</td> </tr> </tbody> </table>	Material		A	Aluminum - 6061-T6 3000† psi • 20.7 MPa	D	Ductile Iron - D4512 5000† psi • 34.5 MPa	† Working pressure should be considered in accordance with ISO 4413 to determine appropriate material type.		<table border="1"> <thead> <tr> <th colspan="2">Valve Cavity</th> </tr> </thead> <tbody> <tr> <td>32</td> <td>DIN 24342 - 32mm ISO 7368-09-05 (Standard currently under revision) NFPA T3.5.45-BC-09-2-A</td> </tr> </tbody> </table>	Valve Cavity		32	DIN 24342 - 32mm ISO 7368-09-05 (Standard currently under revision) NFPA T3.5.45-BC-09-2-A	<table border="1"> <thead> <tr> <th colspan="2">Pilot Circuit</th> </tr> </thead> <tbody> <tr> <td>XA</td> <td>X common to A Y common to B</td> </tr> <tr> <td>XB</td> <td>X common to B Z1 common to A</td> </tr> <tr> <td colspan="2">These connections are furnished plugged (external pilot ports). Remove plugs for internal pilot ports. See circuit diagram.</td> </tr> </tbody> </table>	Pilot Circuit		XA	X common to A Y common to B	XB	X common to B Z1 common to A	These connections are furnished plugged (external pilot ports). Remove plugs for internal pilot ports. See circuit diagram.		<table border="1"> <thead> <tr> <th colspan="2">A & B Port Size</th> </tr> </thead> <tbody> <tr> <td>24F</td> <td>ISO 6162 - DN38 Split Flange SAE Size 24 (1.50") Flange</td> </tr> <tr> <td>40F</td> <td>ISO 6162 - DN64 Split Flange SAE Size 40 (2.50") Flange</td> </tr> </tbody> </table>	A & B Port Size		24F	ISO 6162 - DN38 Split Flange SAE Size 24 (1.50") Flange	40F	ISO 6162 - DN64 Split Flange SAE Size 40 (2.50") Flange	<table border="1"> <thead> <tr> <th colspan="2">Flange Rating</th> </tr> </thead> <tbody> <tr> <td colspan="2">Aluminum or Ductile</td> </tr> <tr> <td>61</td> <td>ISO 6162 - 2.5 to 35 MPa SAE code 61</td> </tr> <tr> <td colspan="2">Ductile only</td> </tr> <tr> <td>62</td> <td>ISO 6162 - 40 MPa series SAE code 62</td> </tr> </tbody> </table>	Flange Rating		Aluminum or Ductile		61	ISO 6162 - 2.5 to 35 MPa SAE code 61	Ductile only		62	ISO 6162 - 40 MPa series SAE code 62	<table border="1"> <thead> <tr> <th colspan="2">Thread Type</th> </tr> </thead> <tbody> <tr> <td>Omit</td> <td>Inch threads / ports</td> </tr> <tr> <td>M</td> <td>Metric threads / ports</td> </tr> </tbody> </table>	Thread Type		Omit	Inch threads / ports	M	Metric threads / ports
Material																																															
A	Aluminum - 6061-T6 3000† psi • 20.7 MPa																																														
D	Ductile Iron - D4512 5000† psi • 34.5 MPa																																														
† Working pressure should be considered in accordance with ISO 4413 to determine appropriate material type.																																															
Valve Cavity																																															
32	DIN 24342 - 32mm ISO 7368-09-05 (Standard currently under revision) NFPA T3.5.45-BC-09-2-A																																														
Pilot Circuit																																															
XA	X common to A Y common to B																																														
XB	X common to B Z1 common to A																																														
These connections are furnished plugged (external pilot ports). Remove plugs for internal pilot ports. See circuit diagram.																																															
A & B Port Size																																															
24F	ISO 6162 - DN38 Split Flange SAE Size 24 (1.50") Flange																																														
40F	ISO 6162 - DN64 Split Flange SAE Size 40 (2.50") Flange																																														
Flange Rating																																															
Aluminum or Ductile																																															
61	ISO 6162 - 2.5 to 35 MPa SAE code 61																																														
Ductile only																																															
62	ISO 6162 - 40 MPa series SAE code 62																																														
Thread Type																																															
Omit	Inch threads / ports																																														
M	Metric threads / ports																																														

40mm Body • XA Circuit

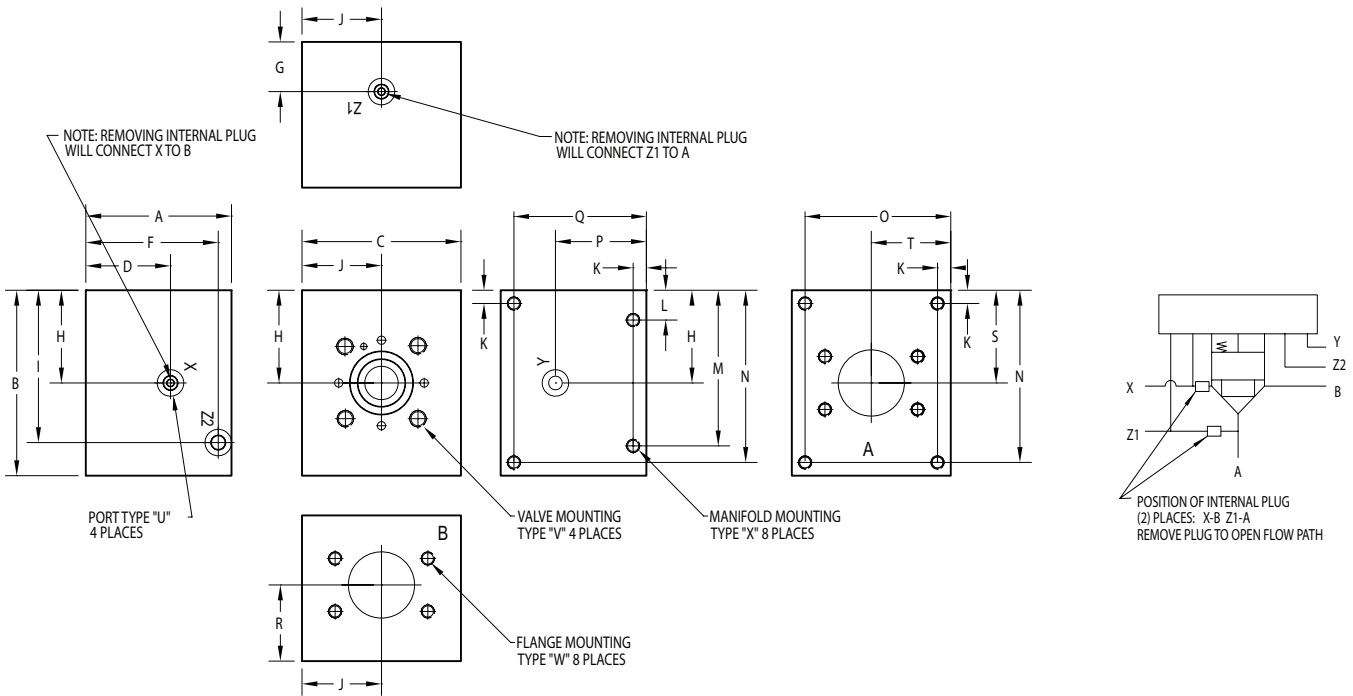


Specifications, descriptions, and dimensional data are subject to correction or change without notice or incurring obligation. Download latest catalog page revisions at www.daman.com.

PART NO.	A	B	C	D	E	F	G	H	I	J	K	L	M	N	O	P
*40XA32F61	6.00	7.00	6.00	1.25	3.50	5.50	1.28	3.25	6.00	3.00	0.50	1.13	5.88	6.50	5.50	3.46
*40XA32F61M	[152.4]	[177.8]	[152.4]	[31.8]	[88.9]	[139.7]	[32.5]	[82.6]	[152.4]	[76.2]	[12.7]	[28.6]	[149.2]	[165.1]	[139.7]	[87.9]
*40XB32F61	6.00	7.00	6.00	3.46	--	5.50	1.25	3.25	6.00	3.00	0.50	1.13	5.88	6.50	5.50	3.46
*40XB32F61M	[152.4]	[177.8]	[152.4]	[87.9]	--	[139.7]	[31.8]	[82.6]	[152.4]	[76.2]	[12.7]	[28.6]	[149.2]	[165.1]	[139.7]	[87.9]
D40XA32F62	6.00	7.00	6.00	1.25	3.50	5.50	1.16	3.13	5.88	3.00	0.50	1.13	5.88	6.50	5.50	3.46
D40XA32F62M	[152.4]	[177.8]	[152.4]	[31.8]	[88.9]	[139.7]	[29.4]	[79.8]	[149.2]	[76.2]	[12.7]	[28.6]	[149.2]	[165.1]	[139.7]	[87.9]
D40XB32F62	6.00	7.00	6.00	3.46	--	5.50	1.25	3.13	5.88	3.00	0.50	1.13	5.88	6.50	5.50	3.46
D40XB32F62M	[152.4]	[177.8]	[152.4]	[87.9]	--	[139.7]	[31.8]	[79.8]	[149.2]	[76.2]	[12.7]	[28.6]	[149.2]	[165.1]	[139.7]	[87.9]
*40XA48F61	6.00	7.50	6.00	1.25	3.50	5.50	1.78	3.75	6.50	3.00	0.50	1.13	6.38	7.00	5.50	3.46
*40XA48F61M	[152.4]	[190.5]	[152.4]	[31.8]	[88.9]	[139.7]	[45.2]	[95.3]	[165.1]	[76.2]	[12.7]	[28.6]	[161.9]	[177.8]	[139.7]	[87.9]
*40XB48F61	6.00	7.50	6.00	3.46	--	5.50	1.25	3.75	6.50	3.00	0.50	1.13	6.38	7.00	5.50	3.46
*40XB48F61M	[152.4]	[190.5]	[152.4]	[87.9]	--	[139.7]	[31.8]	[95.3]	[165.1]	[76.2]	[12.7]	[28.6]	[161.9]	[177.8]	[139.7]	[87.9]
D40XA48F62	7.50	9.50	9.00	2.75	5.00	7.00	2.78	4.75	7.50	4.50	0.75	1.63	7.88	8.75	8.25	4.96
D40XA48F62M	[190.5]	[241.3]	[228.6]	[69.9]	[127.0]	[177.8]	[70.6]	[120.7]	[190.5]	[114.3]	[19.1]	[41.3]	[200.0]	[222.3]	[209.6]	[126.0]
D40XB48F62	7.50	9.50	9.00	4.96	--	7.00	2.75	4.75	7.50	4.50	0.75	1.63	7.88	8.75	8.25	4.96
D40XB48F62M	[190.5]	[241.3]	[228.6]	[126.0]	--	[177.8]	[69.9]	[120.7]	[190.5]	[114.3]	[19.1]	[41.3]	[200.0]	[222.3]	[209.6]	[126.0]

PART NO.	Q	R	S	T	U pilot port size	V valve mounting	W flange mounting	X manifold mounting
*40XA32F61	5.50	3.46	3.25	3.00	SAE #6	0.75 UNC x 1.62 DP	0.50 UNC x 1.19 DP	0.50 UNC x 1.00 DP
*40XA32F61M	[139.7]	[87.9]	[82.6]	[76.2]	ISO 6149 M14	M20 ISO 6H x 41 DP	M12 ISO 6H x 30 DP	M12 ISO 6H x 25 DP
*40XB32F61	5.50	3.46	3.25	3.00	SAE #6	0.75 UNC x 1.62 DP	0.50 UNC x 1.19 DP	0.50 UNC x 1.00 DP
*40XB32F61M	[139.7]	[87.9]	[82.6]	[76.2]	ISO 6149 M14	M20 ISO 6H x 41 DP	M12 ISO 6H x 30 DP	M12 ISO 6H x 25 DP
D40XA32F62	5.50	3.46	3.13	3.00	SAE #6	0.75 UNC x 1.62 DP	0.75 UNC x 1.50 DP	0.50 UNC x 1.00 DP
D40XA32F62M	[139.7]	[87.9]	[79.4]	[76.2]	ISO 6149 M14	M20 ISO 6H x 41 DP	M20 ISO 6H x 38 DP	M12 ISO 6H x 25 DP
D40XB32F62	5.50	3.46	3.13	3.00	SAE #6	0.75 UNC x 1.62 DP	0.75 UNC x 1.50 DP	0.50 UNC x 1.00 DP
D40XB32F62M	[139.7]	[87.9]	[79.4]	[76.2]	ISO 6149 M14	M20 ISO 6H x 41 DP	M20 ISO 6H x 38 DP	M12 ISO 6H x 25 DP
*40XA48F61	5.50	3.00	3.75	3.00	SAE #6	0.75 UNC x 1.62 DP	0.63 UNC x 1.44 DP	0.50 UNC x 1.00 DP
*40XA48F61M	[139.7]	[76.2]	[95.3]	[76.2]	ISO 6149 M14	M20 ISO 6H x 41 DP	M16 ISO 6H x 36 DP	M12 ISO 6H x 25 DP
*40XB48F61	5.50	3.00	3.75	3.00	SAE #6	0.75 UNC x 1.62 DP	0.63 UNC x 1.44 DP	0.50 UNC x 1.00 DP
*40XB48F61M	[139.7]	[76.2]	[95.3]	[76.2]	ISO 6149 M14	M20 ISO 6H x 41 DP	M16 ISO 6H x 36 DP	M12 ISO 6H x 25 DP
D40XA48F62	6.75	3.75	4.75	4.50	SAE #6	0.75 UNC x 1.62 DP	1.13 UNC x 2.39 DP	0.75 UNC x 1.62 DP
D40XA48F62M	[171.5]	[95.3]	[120.7]	[114.3]	ISO 6149 M14	M20 ISO 6H x 41 DP	M30 ISO 6H x 63 DP	M20 ISO 6H x 41 DP
D40XB48F62	6.75	3.75	4.75	4.50	SAE #6	0.75 UNC x 1.62 DP	1.13 UNC x 2.39 DP	0.75 UNC x 1.62 DP
D40XB48F62M	[171.5]	[95.3]	[120.7]	[114.3]	ISO 6149 M14	M20 ISO 6H x 41 DP	M30 ISO 6H x 63 DP	M20 ISO 6H x 41 DP

40mm Body • XB Circuit



Specifications, descriptions, and dimensional data are subject to correction or change without notice or incurring obligation. Download latest catalog page revisions at www.daman.com.

Ordering Information

For coating options see pages 245-246.

Material	Valve Cavity	Pilot Circuit	A & B Port Size	Flange Rating	Thread Type
----------	--------------	---------------	-----------------	---------------	-------------

Material	
A	Aluminum - 6061-T6 3000 [†] psi • 20.7 MPa
D	Ductile Iron - D4512 5000 [†] psi • 34.5 MPa

[†] Working pressure should be considered in accordance with ISO 4413 to determine appropriate material type.

Pilot Circuit	
XA	X common to A Y common to B
XB	X common to B Z1 common to A

These connections are furnished plugged (external pilot ports). Remove plugs for internal pilot ports. See circuit diagram.

Flange Rating	
Aluminum or Ductile	
61	ISO 6162 - 2.5 to 35 MPa SAE code 61
Ductile only	
62	ISO 6162 - 40 MPa series SAE code 62

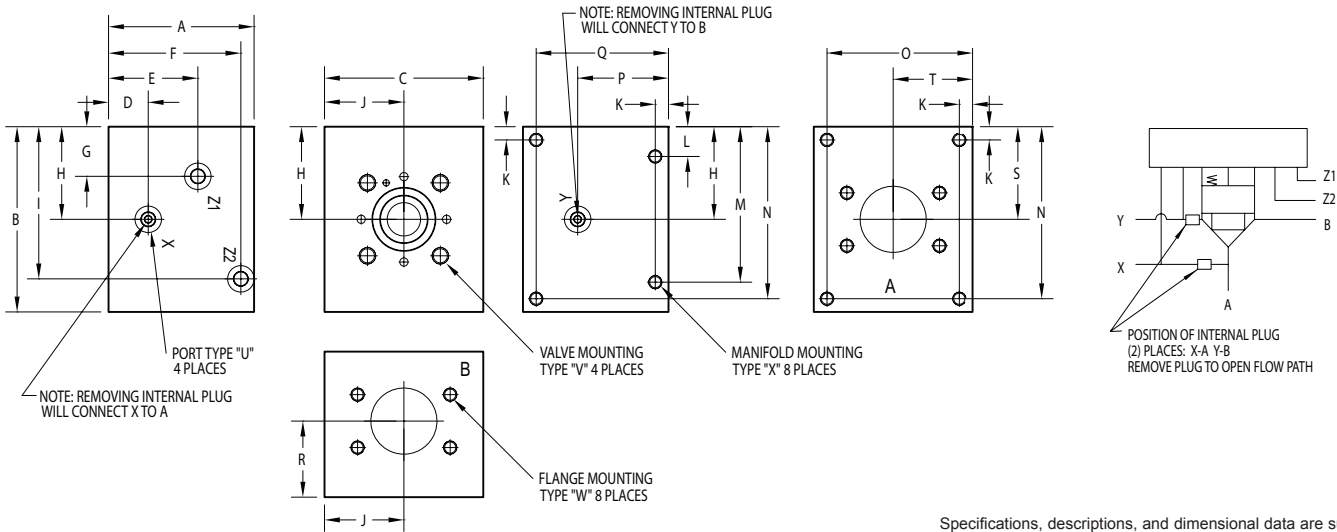
Valve Cavity	
40	DIN 24342 - 40mm ISO 7368-10-07 (Standard currently under revision) NFPA T3.5.45-BD-10-2-A

A & B Port Size	
32F	ISO 6162 - DN51 Split Flange SAE Size 32 (2.00") Flange
48F	ISO 6162 - DN76 Split Flange SAE Size 48 (3.00") Flange

Thread Type	
Omit	Inch threads / ports
M	Metric threads / ports

Standard Manifolds
Cover Plates
Valve Adaptors
Subplates
Servo Valve Subplates
Tapping Plates
Cartridge Valve Cavity Bodies
Header and Junction Blocks
Sandwich Modules
Technical Information

50mm Body • XA Circuit

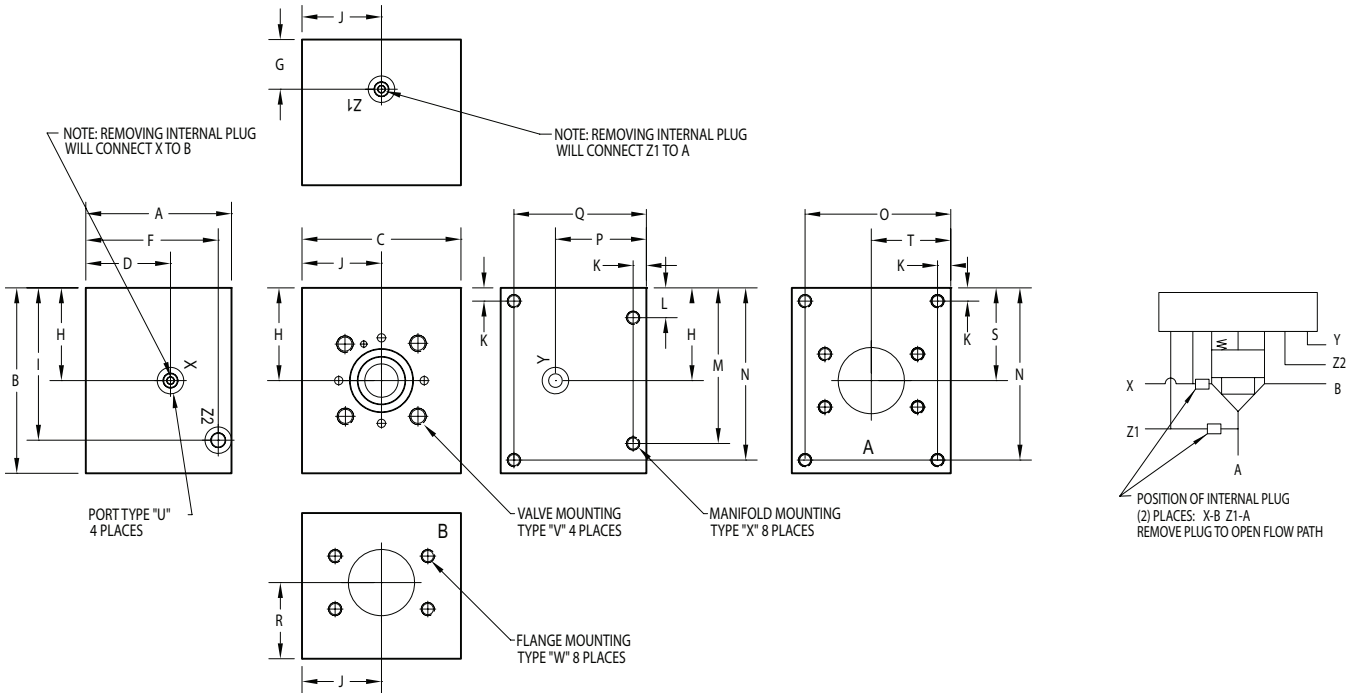


Specifications, descriptions, and dimensional data are subject to correction or change without notice or incurring obligation. Download latest catalog page revisions at www.daman.com.

PART NO.	A	B	C	D	E	F	G	H	I	J	K	L	M	N	O	P
50XA40F61	7.00 [177.8]	7.00 [177.8]	6.00 [152.4]	1.50 [38.1]	4.50 [114.3]	6.50 [165.1]	0.75 [19.1]	3.25 [82.6]	6.13 [155.6]	3.00 [76.2]	0.50 [12.7]	1.13 [28.6]	5.88 [149.2]	6.50 [165.1]	5.50 [139.7]	4.15 [105.3]
50XB40F61	7.00 [177.8]	7.00 [177.8]	6.00 [152.4]	4.15 [105.3]	--	6.50 [165.1]	1.50 [38.1]	3.25 [82.6]	6.13 [155.6]	3.00 [76.2]	0.50 [12.7]	1.13 [28.6]	5.88 [149.2]	6.50 [165.1]	5.50 [139.7]	4.15 [105.3]
D50XA40F62*	7.00 [177.8]	8.00 [203.2]	7.00 [177.8]	1.50 [38.1]	4.50 [114.3]	6.50 [165.1]	1.25 [31.8]	3.75 [95.3]	6.62 [168.3]	3.50 [88.9]	0.50 [12.7]	1.13 [28.6]	6.88 [174.6]	7.50 [190.5]	6.50 [165.1]	4.15 [105.3]
D50XB40F62*	7.00 [177.8]	8.00 [203.2]	7.00 [177.8]	4.15 [105.3]	--	6.50 [165.1]	1.50 [38.1]	3.75 [95.3]	6.62 [168.3]	3.50 [88.9]	0.50 [12.7]	1.13 [28.6]	6.88 [174.6]	7.50 [190.5]	6.50 [165.1]	4.15 [105.3]
50XA64F61	7.00 [177.8]	7.25 [184.2]	6.50 [165.1]	1.50 [38.1]	4.15 [105.4]	6.50 [165.1]	1.19 [30.2]	3.50 [88.9]	6.38 [161.9]	3.25 [82.6]	0.50 [12.7]	1.13 [28.6]	6.13 [155.6]	6.75 [171.5]	6.00 [152.4]	4.15 [105.3]
50XB64F61	7.00 [177.8]	7.25 [184.2]	6.50 [165.1]	4.15 [105.3]	--	6.50 [165.1]	1.50 [38.1]	3.50 [88.9]	6.38 [161.9]	3.25 [82.6]	0.50 [12.7]	1.13 [28.6]	6.13 [155.6]	6.75 [171.5]	6.00 [152.4]	4.15 [105.3]

PART NO.	Q	R	S	T	U pilot port size	V valve mounting	W flange mounting	X manifold mounting
*50XA40F61V	6.50 [165.1]	4.15 [105.3]	3.25 [82.6]	3.00 [76.2]	SAE #6	0.75 UNC x 1.62 DP	0.50 UNC x 1.19 DP	0.50 UNC x 1.00 DP
*50XA40F61R					SAE #6	0.88 UNC x 1.62 DP	0.50 UNC x 1.19 DP	0.50 UNC x 1.00 DP
*50XA40F61M					ISO 6149 M14	M20 ISO 6H x 41 DP	M12 ISO 6H x 30 DP	M12 ISO 6H x 25 DP
*50XB40F61V	6.50 [165.1]	4.15 [105.3]	3.25 [82.6]	3.00 [76.2]	SAE #6	0.75 UNC x 1.62 DP	0.50 UNC x 1.19 DP	0.50 UNC x 1.00 DP
*50XB40F61R					SAE #6	0.88 UNC x 1.62 DP	0.50 UNC x 1.19 DP	0.50 UNC x 1.00 DP
*50XB40F61M					ISO 6149 M14	M20 ISO 6H x 41 DP	M12 ISO 6H x 30 DP	M12 ISO 6H x 25 DP
D50XA40F62V	6.50 [165.1]	4.00 [101.6]	3.75 [95.3]	3.50 [88.9]	SAE #6	0.75 UNC x 1.62 DP	0.88 UNC x 1.75 DP	0.50 UNC x 1.00 DP
D50XA40F62R					SAE #6	0.88 UNC x 1.62 DP	0.88 UNC x 1.75 DP	0.50 UNC x 1.00 DP
D50XA40F62M					ISO 6149 M14	M20 ISO 6H x 41 DP	M24 ISO 6H x 45 DP	M12 ISO 6H x 25 DP
D50XB40F62V	6.50 [165.1]	4.00 [101.6]	3.75 [95.3]	3.50 [88.9]	SAE #6	0.75 UNC x 1.62 DP	0.88 UNC x 1.75 DP	0.50 UNC x 1.00 DP
D50XB40F62R					SAE #6	0.88 UNC x 1.62 DP	0.88 UNC x 1.75 DP	0.50 UNC x 1.00 DP
D50XB40F62M					ISO 6149 M14	M20 ISO 6H x 41 DP	M24 ISO 6H x 45 DP	M12 ISO 6H x 25 DP
*50XA64F61V	6.50 [165.1]	3.88 [98.4]	3.50 [88.9]	3.25 [82.6]	SAE #6	0.75 UNC x 1.62 DP	0.63 UNC x 1.44 DP	0.50 UNC x 1.19 DP
*50XA64F61R					SAE #6	0.88 UNC x 1.62 DP	0.63 UNC x 1.44 DP	0.50 UNC x 1.19 DP
*50XA64F61M					ISO 6149 M14	M20 ISO 6H x 41 DP	M16 ISO 6H x 36 DP	M12 ISO 6H x 30 DP
*50XB64F61V	6.50 [165.1]	3.88 [98.4]	3.50 [88.9]	3.25 [82.6]	SAE #6	0.75 UNC x 1.62 DP	0.63 UNC x 1.44 DP	0.50 UNC x 1.19 DP
*50XB64F61R					SAE #6	0.88 UNC x 1.62 DP	0.63 UNC x 1.44 DP	0.50 UNC x 1.19 DP
*50XB64F61M					ISO 6149 M14	M20 ISO 6H x 41 DP	M16 ISO 6H x 36 DP	M12 ISO 6H x 30 DP

50mm Body • XB Circuit



Specifications, descriptions, and dimensional data are subject to correction or change without notice or incurring obligation. Download latest catalog page revisions at www.daman.com.

Ordering Information

For coating options see pages 245-246.

Material	Valve Cavity	Pilot Circuit	A & B Port Size	Flange Rating	Thread Type
----------	--------------	---------------	-----------------	---------------	-------------

Material	
A	Aluminum - 6061-T6 3000 [†] psi • 20.7 MPa
D	Ductile Iron - D4512 5000 [†] psi • 34.5 MPa

[†] Working pressure should be considered in accordance with ISO 4413 to determine appropriate material type.

Pilot Circuit	
XA	X common to A Y common to B
XB	X common to B Z1 common to A

These connections are furnished plugged (external pilot ports). Remove plugs for internal pilot ports. See circuit diagram.

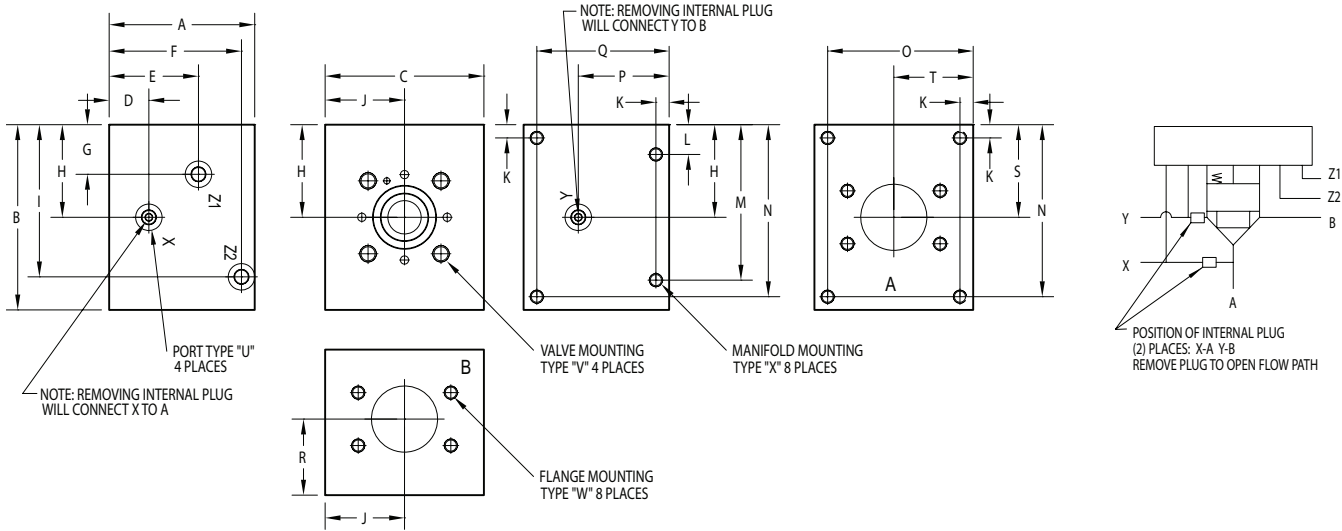
Flange Rating	
Aluminum or Ductile	
61	ISO 6162 - 2.5 to 35 MPa SAE code 61
Port size 40F, Ductile only	
62	ISO 6162 - 40 MPa series SAE code 62

Valve Cavity	
50	DIN 24342 - 50mm ISO 7368-11-09 (Standard currently under revision) NFPA T3.5.45-BE-11-2-A

A & B Port Size	
40F	ISO 6162 - DN64 Split Flange SAE Size 40 (2.50") Flange
64F	ISO 6162 - DN102 Split Flange SAE Size 64 (4.00") Flange

Thread Type	
V	Inch threads / ports Valve mtg. = 0.75-10
R	Inch threads / ports Valve mtg. = 0.875-9
M	Metric threads / ports Valve mtg. = M20-2.5

63mm Body • XA Circuit

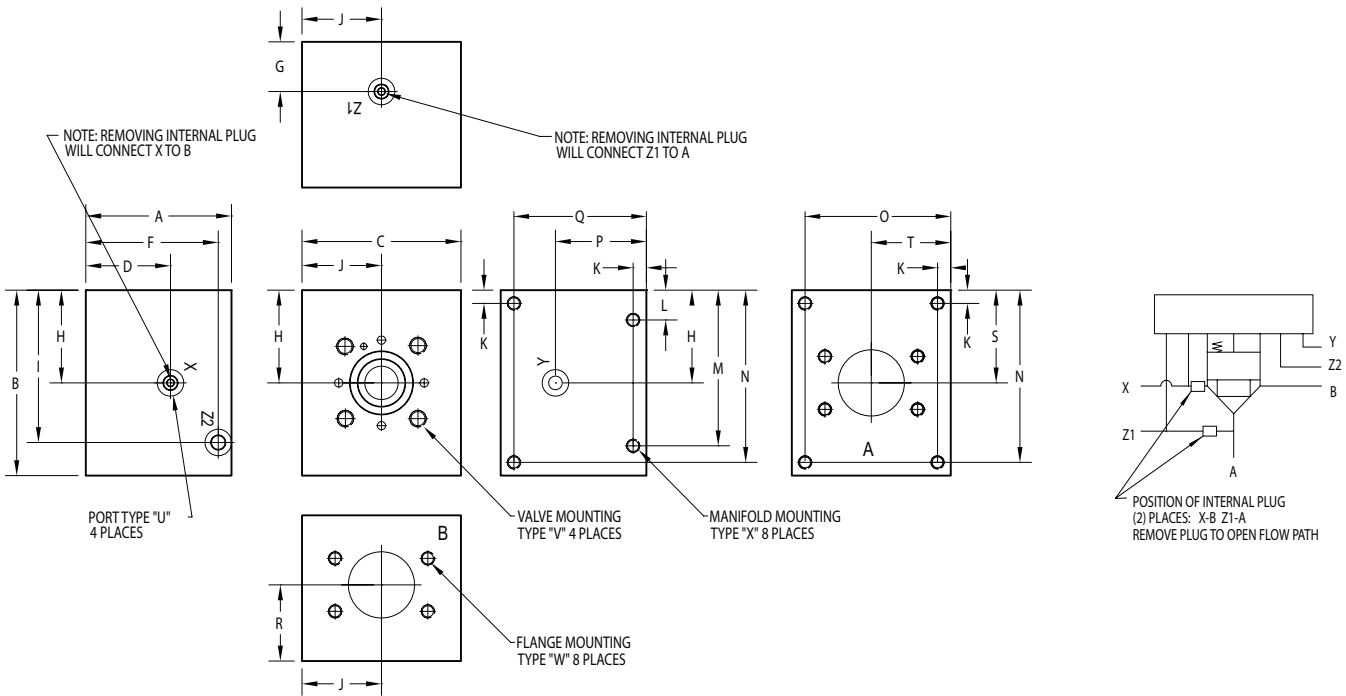


Specifications, descriptions, and dimensional data are subject to correction or change without notice or incurring obligation. Download latest catalog page revisions at www.daman.com.

PART NO.	A	B	C	D	E	F	G	H	I	J	K	L	M	N	O	P
*63XA48F61	8.00	9.00	8.00	1.00	4.24	7.25	1.29	4.25	8.00	4.00	0.63	1.38	7.63	8.38	7.38	4.24
*63XA48F61M	[203.2]	[228.6]	[203.2]	[25.4]	[107.7]	[184.2]	[32.8]	[108.0]	[203.2]	[101.6]	[15.9]	[34.9]	[193.7]	[212.7]	[187.3]	[107.7]
*63XB48F61	8.00	9.00	8.00	4.24	--	7.25	1.25	4.25	8.00	4.00	0.63	1.38	7.63	8.38	7.38	4.24
*63XB48F61M	[203.2]	[228.6]	[203.2]	[107.7]	--	[184.2]	[31.8]	[108.0]	[203.2]	[101.6]	[15.9]	[34.9]	[193.7]	[212.7]	[187.3]	[107.7]
D63XA48F62	9.00	10.50	9.00	2.25	5.00	8.25	1.77	4.75	8.50	4.50	0.63	1.38	9.13	9.88	8.38	5.24
D63XA48F62M	[228.6]	[266.7]	[228.6]	[57.2]	[127.0]	[209.6]	[45.0]	[120.7]	[215.9]	[114.3]	[15.9]	[34.9]	[231.8]	[250.8]	[212.7]	[133.1]
D63XB48F62	9.00	10.50	9.00	5.24	--	8.25	2.25	4.75	8.50	4.50	0.63	1.38	9.13	9.88	8.38	5.24
D63XB48F62M	[228.6]	[266.7]	[228.6]	[133.1]	--	[209.6]	[57.2]	[120.7]	[215.9]	[114.3]	[15.9]	[34.9]	[231.8]	[250.8]	[212.7]	[133.1]
*63XA80F61	8.00	9.00	8.00	1.38	4.24	7.25	1.29	4.25	8.00	4.00	0.63	1.50	7.50	8.38	7.38	4.24
*63XA80F61M	[203.2]	[228.6]	[203.2]	[34.9]	[107.7]	[184.2]	[32.8]	[108.0]	[203.2]	[101.6]	[15.9]	[38.1]	[190.5]	[212.7]	[187.3]	[107.7]
*63XB80F61	8.00	9.00	8.00	4.24	--	7.25	1.38	4.25	8.00	4.00	0.63	1.50	7.50	8.38	7.38	4.24
*63XB80F61M	[203.2]	[228.6]	[203.2]	[107.7]	--	[184.2]	[34.9]	[108.0]	[203.2]	[101.6]	[15.9]	[38.1]	[190.5]	[212.7]	[187.3]	[107.7]

PART NO.	Q	R	S	T	U pilot port size	V valve mounting	W flange mounting	X manifold mounting
*63XA48F61	7.38	4.24	4.25	4.00	SAE #08	1.25 UNC x 2.75 DP	0.63 UNC x 1.31 DP	0.63 UNC x 1.25 DP
*63XA48F61M	[187.3]	[107.7]	[108.0]	[101.6]	ISO 6149 M18	M30 ISO 6H x 70 DP	M16 ISO 6H x 33 DP	M16 ISO 6H x 32 DP
*63XB48F61	7.38	4.24	4.25	4.00	SAE #08	1.25 UNC x 2.75 DP	0.63 UNC x 1.31 DP	0.63 UNC x 1.25 DP
*63XB48F61M	[187.3]	[107.7]	[108.0]	[101.6]	ISO 6149 M18	M30 ISO 6H x 70 DP	M16 ISO 6H x 33 DP	M16 ISO 6H x 32 DP
D63XA48F62	8.38	5.24	4.75	4.50	SAE #08	1.25 UNC x 2.75 DP	1.13 UNC x 2.25 DP	0.63 UNC x 1.25 DP
D63XA48F62M	[212.7]	[133.1]	[120.7]	[114.3]	ISO 6149 M18	M30 ISO 6H x 70 DP	M30 ISO 6H x 57 DP	M16 ISO 6H x 32 DP
D63XB48F62	8.38	5.24	4.75	4.50	SAE #08	1.25 UNC x 2.75 DP	1.13 UNC x 2.25 DP	0.63 UNC x 1.25 DP
D63XB48F62M	[212.7]	[133.1]	[120.7]	[114.3]	ISO 6149 M18	M30 ISO 6H x 70 DP	M30 ISO 6H x 57 DP	M16 ISO 6H x 32 DP
*63XA80F61	7.38	4.24	4.25	4.00	SAE #08	1.25 UNC x 2.75 DP	0.63 UNC x 1.44 DP	0.63 UNC x 1.44 DP
*63XA80F61M	[187.3]	[107.7]	[108.0]	[101.6]	ISO 6149 M18	M30 ISO 6H x 70 DP	M16 ISO 6H x 36 DP	M16 ISO 6H x 36 DP
*63XB80F61	7.38	4.24	4.25	4.00	SAE #08	1.25 UNC x 2.75 DP	0.63 UNC x 1.44 DP	0.63 UNC x 1.44 DP
*63XB80F61M	[187.3]	[107.7]	[108.0]	[101.6]	ISO 6149 M18	M30 ISO 6H x 70 DP	M16 ISO 6H x 36 DP	M16 ISO 6H x 36 DP

63mm Body • XB Circuit



Specifications, descriptions, and dimensional data are subject to correction or change without notice or incurring obligation. Download latest catalog page revisions at www.daman.com.

Ordering Information

For coating options see pages 245-246.

Material	Valve Cavity	Pilot Circuit	A & B Port Size	Flange Rating	Thread Type
----------	--------------	---------------	-----------------	---------------	-------------

Material	
A	Aluminum - 6061-T6 3000 [†] psi • 20.7 MPa
D	Ductile Iron - D4512 5000 [†] psi • 34.5 MPa

[†] Working pressure should be considered in accordance with ISO 4413 to determine appropriate material type.

Pilot Circuit	
XA	X common to A Y common to B
XB	X common to B Z1 common to A

These connections are furnished plugged (external pilot ports). Remove plugs for internal pilot ports. See circuit diagram.

Flange Rating	
Aluminum or Ductile	
61	ISO 6162 - 2.5 to 35 MPa SAE code 61
Port size 48F, Ductile only	
62	ISO 6162 - 40 MPa series SAE code 62

Valve Cavity	
63	DIN 24342 - 63mm ISO 7368-12-11 (Standard currently under revision) NFPA T3.5.45-BF-12-2-A

A & B Port Size	
48F	ISO 6162 - DN76 Split Flange SAE Size 48 (3.00") Flange
80F	ISO 6162 - DN127 Split Flange SAE Size 80 (5.00") Flange

Thread Type	
Omit	Inch threads / ports
M	Metric threads / ports

Standard Manifolds
Cover Plates
Valve Adaptors
Subplates
Servo Valve Subplates
Tapping Plates
Cartridge Valve Cavity Bodies
Header and Junction Blocks
Sandwich Modules
Technical Information

Sun and Common Cavity Bodies

The following pages represent our product offering for cavity bodies for screw-in cartridge valves.

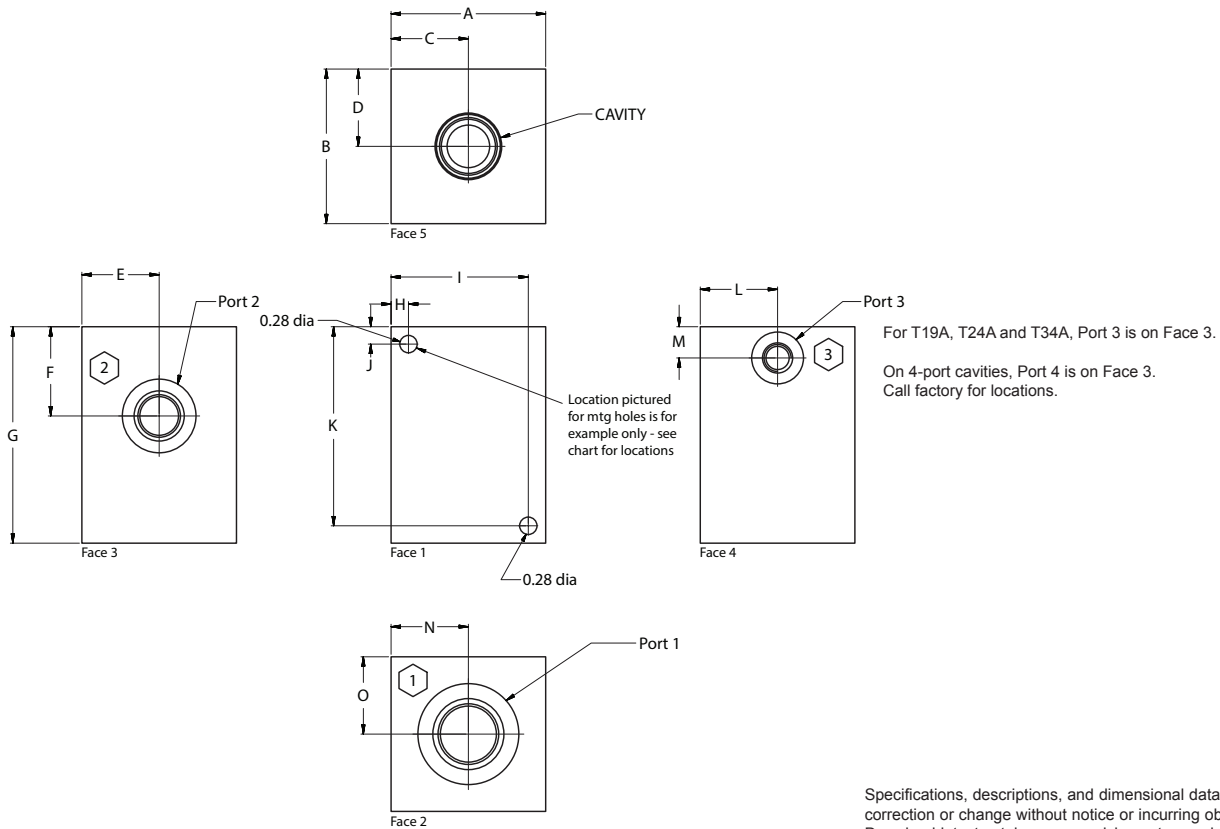
Our comprehensive, new Aluminum and Ductile cavity body line is comprised of 34 different cavity sizes which include six common cavity sizes from C-8-2 through C-16-3 along with 28 of the most popular sizes from Sun, each having the following five port types available:

- SAE
- NPTF
- BSPP
- BSPT
- ISO 6149

- Three to five different port size options will be offered for each port type.
- Our entire line can be manufactured in aluminum or ductile iron, with or without gauge ports, with or without surface coatings — clear or black anodize for aluminum and electroless nickel for ductile.
- Each part will have two through mounting holes and ship with two bolts.
- For convenience, our new cavity bodies can face left or right while still being able to read the part number when mounted.
- The Sun stainless bodies are made from 17-4 H1150 stainless providing corrosion resistance similar to 304 stainless, along with very high tensile strength allowing a 5000 psi pressure rating.
- We also sell Sun valves. See p. 227 for our stocked selection, or call for other part numbers.
- Dimensioning charts are at the end of each section.

Return to this section regularly as we expand our cavity body offerings.

Sun Cavity Bodies - 17-4 H1150 Stainless Steel



Specifications, descriptions, and dimensional data are subject to correction or change without notice or incurring obligation. Download latest catalog page revisions at www.daman.com.

Ordering Information

Material	Sun Cavity Size	Product Type	Port Size	Port Threads
----------	-----------------	--------------	-----------	--------------

Daman can sell Sun valves. See page 227 for stocked valves, or consult factory for price and delivery of valves not shown.

Material	
S*	Stainless Steel - 17-4 5000† psi • 34.5 MPa
† Working pressure should be considered in accordance with ISO 4413 to determine appropriate material type.	

*Mounting hardware not supplied for stainless steel products. All SS products are passivated.

Sun Cavity Size		
T2A	T16A	T23A
T3A	T17A	T24A
T5A	T18A	T32A
T10A	T19A	T34A
T11A	T21A	T162A
T13A	T22A	T163A

Size of Port 1	
6	3/8 inch (-6) Hose/Fitting size
8	1/2 inch (-8) Hose/Fitting size
10	5/8 inch (-10) Hose/Fitting size
12	3/4 inch (-12) Hose/Fitting size
16	1 inch (-16) Hose/Fitting size
20	1-1/4 inch (-20) Hose/Fitting size

Port Threads	
P	NPTF ANSI B1.20.3
S	SAE ISO 11926; SAE 1926

Note: Pipe ports in stainless can gall.

Product Type	
CB	Cavity Bodies

Consult chart for port size availability with each cavity size, and for additional port sizes.



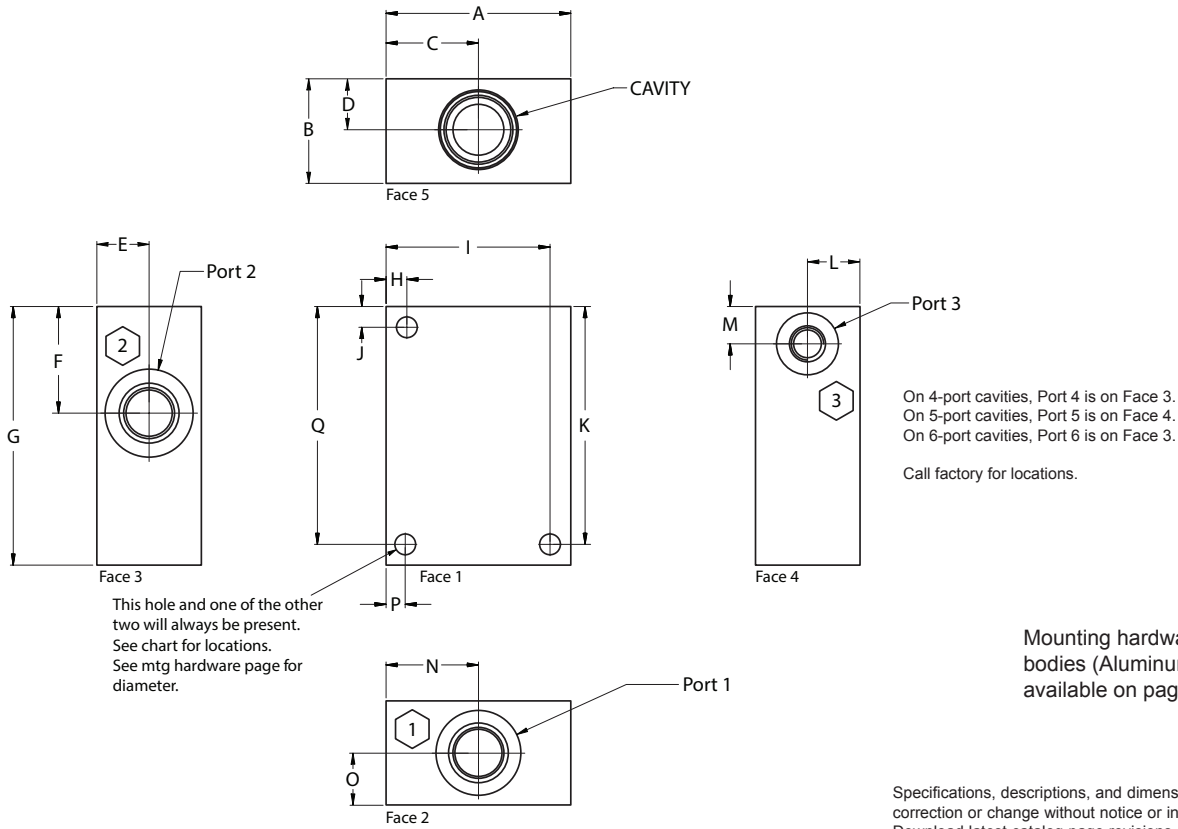
Sun Cavity Bodies - 17-4 H1150 Stainless Steel

Part Number	A	B	C	D	E	F	G	H	I	J	K	L	M	N	O	Port 1	Port 2	Port 3	Port 4
ST2ACB6P	2.50	2.50	1.31	1.25	1.25	1.44	3.50	0.28	2.22	0.28	3.22	1.25	0.51	1.31	1.25	3/8	3/8	1/8	-
ST2ACB8S	2.50	2.50	1.31	1.25	1.25	1.44	3.50	0.28	2.22	0.28	3.22	1.25	0.51	1.31	1.25	-08	-08	-04	-
ST3ACB12P	3.00	3.00	1.56	1.50	1.50	1.01	3.50	2.72	0.28	0.28	3.22	-	-	1.56	1.50	3/4	3/4	-	-
ST3ACB16S	3.00	3.00	1.56	1.50	1.50	1.01	3.50	2.72	0.28	0.28	3.22	-	-	1.56	1.50	-16	-16	-	-
ST5ACB12P	3.00	3.00	1.56	1.50	1.50	0.88	3.00	2.72	0.28	0.28	2.72	-	-	1.56	1.50	3/4	3/4	-	-
ST5ACB12S	3.00	3.00	1.56	1.50	1.50	0.88	3.00	2.72	0.28	0.28	2.72	-	-	1.56	1.50	-12	-12	-	-
ST10ACB12P	2.50	2.50	1.44	1.25	1.25	0.85	3.00	0.28	2.22	0.28	2.72	-	-	1.44	1.25	3/4	3/4	-	-
ST10ACB12S	2.50	2.50	1.44	1.25	1.25	0.85	3.00	2.22	0.28	0.28	2.72	-	-	1.44	1.25	-12	-12	-	-
ST11ACB6P	2.50	2.50	1.34	1.25	1.25	1.41	3.25	0.28	2.22	0.28	2.97	1.25	0.49	1.34	1.25	3/8	3/8	1/4	-
ST11ACB10S	2.50	2.50	1.34	1.25	1.25	1.41	3.25	0.28	2.22	0.28	2.97	1.25	0.49	1.34	1.25	-10	-10	-6	-
ST13ACB6P	2.50	2.50	1.25	1.25	1.25	0.76	2.50	2.22	0.28	0.28	2.22	-	-	1.25	1.25	3/8	3/8	-	-
ST13ACB8S	2.50	2.50	1.25	1.25	1.25	0.76	2.50	2.22	0.28	0.28	2.22	-	-	1.25	1.25	-08	-08	-	-
ST16ACB16P	3.50	3.50	1.75	1.75	1.75	1.35	4.00	3.22	0.28	0.28	3.72	-	-	1.75	1.75	1	1	-	-
ST16ACB16S	3.50	3.50	1.75	1.75	1.75	1.35	4.00	3.22	0.28	0.28	3.72	-	-	1.75	1.75	-16	-16	-	-
ST17ACB12P	3.50	3.50	1.88	1.75	1.75	1.91	4.25	0.28	3.22	0.28	3.97	1.75	0.60	1.88	1.75	3/4	3/4	3/8	-
ST17ACB16S	3.50	3.50	1.88	1.75	1.75	1.91	4.25	0.28	3.22	0.28	3.97	1.75	0.60	1.88	1.75	-16	-16	-08	-
ST18ACB20P	3.50	3.50	2.00	1.75	1.75	1.72	4.75	0.28	3.22	0.28	4.47	-	-	2.00	1.75	1 1/4	1 1/4	-	-
ST18ACB20S	3.50	3.50	2.00	1.75	1.75	1.72	4.75	0.28	3.22	0.28	4.47	-	-	2.00	1.75	-20	-20	-	-
ST19ACB16P	3.50	3.50	1.97	1.75	1.75	2.54	5.25	0.28	3.22	1.44	4.97	1.75	0.72	1.97	1.75	1	1	3/8	-
ST19ACB16S	3.50	3.50	1.97	1.75	1.75	2.54	5.25	0.28	3.22	1.44	4.97	1.75	0.72	1.97	1.75	-16	-16	-08	-
ST21ACB6P	2.50	2.50	1.25	1.25	1.25	1.91	3.63	2.22	0.28	0.28	3.34	1.25	1.01	1.25	1.25	3/8	3/8	1/4	1/8
ST21ACB8S	2.50	2.50	1.25	1.25	1.25	1.91	3.63	2.22	0.28	0.28	3.34	1.25	1.01	1.25	1.25	-08	-08	-04	-04
ST22ACB12P	3.00	3.00	1.63	1.50	1.5	2.04	4.13	2.72	0.28	0.28	3.84	1.50	1.10	1.63	1.50	3/4	3/4	1/4	1/4
ST22ACB12S	3.00	3.00	1.63	1.50	1.5	2.04	4.13	2.72	0.28	0.28	3.84	1.50	1.10	1.63	1.50	-12	-12	-04	-04
ST23ACB12P	3.50	3.50	1.84	1.75	1.75	2.63	5.00	3.22	0.28	0.28	4.72	1.75	1.35	1.84	1.75	3/4	3/4	3/8	3/8
ST23ACB16S	3.50	3.50	1.84	1.75	1.75	2.63	5.00	3.22	0.28	0.28	4.72	1.75	1.35	1.84	1.75	-12	-12	-08	-06
ST24ACB16P	3.50	3.50	1.97	1.75	1.75	3.38	6.00	0.28	3.22	2.38	5.72	2.78	1.60	1.97	1.75	1	1	1/2	3/8
ST24ACB16S	3.50	3.50	1.97	1.75	1.75	3.38	6.00	0.28	3.22	2.38	5.72	2.78	1.60	1.97	1.75	-16	-16	-08	-06
ST32ACB12P	3.00	3.00	1.56	1.50	1.50	2.97	5.50	2.72	0.28	0.28	5.22	1.50	2.02	1.56	1.5	3/4	1/2	3/8	3/4
ST32ACB12S	3.00	3.00	1.56	1.50	1.50	2.97	5.50	2.72	0.28	0.28	5.22	1.50	2.02	1.56	1.5	-12	-08	-08	-12
ST34ACB16P	3.50	3.50	2.06	1.75	0.89	4.54	8.00	0.28	3.22	0.28	7.72	2.63	3.04	2.06	1.75	1	3/4	3/4	1
ST34ACB16S	3.50	3.50	2.06	1.75	0.89	4.54	8.00	0.28	3.22	0.28	7.72	2.63	3.04	2.06	1.75	-16	-12	-12	-16
ST162ACB6P	1.75	1.75	1.16	0.88	0.88	0.68	2.25	0.28	-	1.97	-	-	-	1.13	0.88	3/8	3/8	-	-
ST162ACB8S	1.75	1.75	1.16	0.88	0.88	0.68	2.25	0.28	-	1.97	-	-	-	1.13	0.88	-08	-08	-	-
ST163ACB6P	2.50	2.50	1.25	1.25	1.25	1.26	3.00	0.28	2.22	0.28	2.72	1.25	0.43	1.25	1.25	3/8	3/8	1/4	-
ST163ACB8S	2.50	2.50	1.25	1.25	1.25	1.26	3.00	0.28	2.22	0.28	2.72	1.25	0.43	1.25	1.25	-08	-08	-04	-

Specifications, descriptions, and dimensional data are subject to correction or change without notice or incurring obligation. Download latest catalog page revisions at www.daman.com.

Standard Manifolds
 Cover Plates
 Valve Adaptors
 Subplates
 Servo Valve Subplates
 Tapping Plates
 Cartridge Valve Cavity Bodies
 Header and Junction Blocks
 Sandwich Modules
 Technical Information

Sun Cavity Bodies - Aluminum & Ductile Iron



Ordering Information

Daman can sell Sun valves. See page 227 for stocked valves, or consult factory for price and delivery of valves not shown.

For **coating options** see pages 245-246.

For Sun cavity bodies with gauge port options, see pp. 197.8 -197.10.

Material	Sun Cavity Size	Product Type	Port Size	Port Threads
----------	-----------------	--------------	-----------	--------------

Material	
A	Aluminum - 6061-T6 3000† psi • 20.7 MPa
D	Ductile Iron - D4512 5000† psi • 34.5 MPa
† Working pressure should be considered in accordance with ISO 4413 to determine appropriate material type.	

Sun Cavity Size					
T2A	T11A	T21A	T33A	T63A	
T3A	T13A	T22A	T52A	T64A	
T5A	T16A	T23A	T53A	T162A	
T8A	T17A	T24A	T54A	T163A	
T9A	T18A	T31A	T61A	---	
T10A	T19A	T32A	T62A	---	

Size of Port 1 & 2	
4	1/4 inch (-4) Hose/Fitting size (M) port threads = M10 x 1.0
6	3/8 inch (-6) Hose/Fitting size (M) port threads = M14 x 1.5
8	1/2 inch (-8) Hose/Fitting size (M) port threads = M18 x 1.5
12	3/4 inch (-12) Hose/Fitting size (M) port threads = M27 x 2.0
16	1 inch (-16) Hose/Fitting size (M) port threads = M33 x 2.0
20	1-1/4 inch (-20) Hose/Fitting size (M) port threads = M42 x 2.0

Port Threads	
P	NPTF ANSI B1.20.3
S	SAE ISO 11926; SAE 1926
B	BSPP ISO 1179
M	ISO ISO 6149
T	BSPT ISO 7

Product Type	
CB	Cavity Bodies

Consult chart for port size availability with each cavity size, and for additional port sizes.



Sun Cavity Bodies - Aluminum & Ductile Iron

Part Number	A	B	C	D	E	F	G	H	I	J	K	L	M	N	O	P	Q	Port 1	Port 2	Port 3	Port 4	Port 5	Port 6
T2ACB4	3.00	1.50	1.63	0.75	0.75	1.44	3.25	-	2.72	-	2.97	0.75	0.51	1.63	0.75	0.28	2.97	1/4	1/4	1/4	-	-	-
T2ACB6	3.00	1.50	1.63	0.75	0.75	1.44	3.25	-	2.72	-	2.97	0.75	0.51	1.63	0.75	0.28	2.97	3/8	3/8	3/8	-	-	-
T2ACB8	3.00	1.50	1.63	0.75	0.75	1.44	3.25	-	2.72	-	2.97	0.75	0.51	1.63	0.75	0.28	2.97	1/2	1/2	3/8	-	-	-
T2ACB12	3.00	2.00	1.63	1.00	1.00	1.44	3.25	-	2.72	-	2.97	1.00	0.51	1.63	1.00	0.28	2.97	3/4	3/4	3/8	-	-	-
T3ACB4	2.00	1.50	1.16	0.75	0.75	1.09	3.00	0.22	-	0.22	-	-	-	1.16	0.75	0.22	2.78	1/4	1/4	-	-	-	-
T3ACB6	2.00	1.50	1.16	0.75	0.75	1.09	3.00	0.22	-	0.22	-	-	-	1.16	0.75	0.22	2.78	3/8	3/8	-	-	-	-
T3ACB8	2.00	1.50	1.16	0.75	0.75	1.09	3.00	0.22	-	0.22	-	-	-	1.16	0.75	0.22	2.78	1/2	1/2	-	-	-	-
T3ACB12	2.25	1.75	1.41	0.88	0.88	1.07	3.00	0.22	-	0.22	-	-	-	1.41	0.88	0.22	2.78	3/4	3/4	-	-	-	-
T5ACB4	2.25	1.50	1.25	0.75	0.75	0.88	3.00	-	2.03	-	2.78	-	-	1.25	0.75	0.22	2.78	1/4	1/4	-	-	-	-
T5ACB6	2.25	1.50	1.25	0.75	0.75	0.88	3.00	-	2.03	-	2.78	-	-	1.25	0.75	0.22	2.78	3/8	3/8	-	-	-	-
T5ACB8	2.25	1.50	1.25	0.75	0.75	0.88	3.00	-	2.03	-	2.78	-	-	1.25	0.75	0.22	2.78	1/2	1/2	-	-	-	-
T5ACB12	2.50	1.75	1.56	0.88	0.88	0.88	3.00	-	2.28	-	2.78	-	-	1.47	0.88	0.22	2.78	3/4	3/4	-	-	-	-
T8ACB4	2.00	1.50	1.16	0.75	0.75	0.52	1.75	-	1.78	-	1.53	-	-	1.16	0.75	0.22	1.53	1/4	1/4	-	-	-	-
T8ACB6	2.00	1.50	1.16	0.75	0.75	0.52	1.75	-	1.78	-	1.53	-	-	1.16	0.75	0.22	1.53	3/8	3/8	-	-	-	-
T9ACB4	2.50	1.50	1.25	0.75	0.75	0.90	2.00	-	2.28	-	1.78	0.75	0.53	1.25	0.75	0.22	1.78	1/4	1/4	1/4	-	-	-
T9ACB6	2.50	1.50	1.25	0.75	0.75	0.90	2.00	-	2.28	-	1.78	0.75	0.53	1.25	0.75	0.22	1.78	3/8	3/8	1/4	-	-	-
T10ACB4	1.63	1.25	0.94	0.63	0.63	0.96	2.50	0.22	-	0.22	-	-	-	0.94	0.63	0.22	2.28	1/4	1/4	-	-	-	-
T10ACB6	1.63	1.25	0.94	0.63	0.63	0.96	2.50	0.22	-	0.22	-	-	-	0.94	0.63	0.22	2.28	3/8	3/8	-	-	-	-
T10ACB8	2.25	1.75	1.44	0.88	0.88	0.85	3.00	-	2.03	-	2.00	-	-	1.25	0.88	0.22	2.00	1/2	1/2	-	-	-	-
T10ACB12	2.25	1.75	1.44	0.88	0.88	0.85	3.00	-	2.03	-	2.00	-	-	1.25	0.88	0.22	2.00	3/4	3/4	-	-	-	-
T11ACB4	2.50	1.25	1.25	0.63	0.63	1.41	3.00	-	2.28	-	2.78	0.63	0.47	1.25	0.63	0.22	2.78	1/4	1/4	1/4	-	-	-
T11ACB6	2.50	1.25	1.25	0.63	0.63	1.41	3.00	-	2.28	-	2.78	0.63	0.47	1.25	0.63	0.22	2.78	3/8	3/8	3/8	-	-	-
T11ACB8	2.50	1.25	1.25	0.63	0.63	1.41	3.00	-	2.28	-	2.78	0.63	0.47	1.25	0.63	0.22	2.78	1/2	1/2	3/8	-	-	-
T13ACB4	1.75	1.25	0.94	0.63	0.63	0.78	2.25	-	1.53	-	2.03	-	-	0.94	0.63	0.22	2.03	1/4	1/4	-	-	-	-
T13ACB6	1.75	1.25	0.94	0.63	0.63	0.78	2.25	-	1.53	-	2.03	-	-	0.94	0.63	0.22	2.03	3/8	3/8	-	-	-	-
T13ACB8	2.50	1.75	1.63	0.88	0.88	0.85	3.00	-	2.28	-	2.78	-	-	1.44	0.88	0.22	2.78	1/2	1/2	-	-	-	-
T13ACB12	2.50	1.75	1.63	0.88	0.88	0.85	3.00	-	2.28	-	2.78	-	-	1.44	0.88	0.22	2.78	3/4	3/4	-	-	-	-
T16ACB12	3.00	2.50	1.94	1.25	1.25	1.44	4.00	0.28	-	0.28	-	-	-	1.75	1.25	0.28	3.72	3/4	3/4	-	-	-	-
T16ACB16	3.00	2.50	1.94	1.25	1.25	1.44	4.00	0.28	-	0.28	-	-	-	1.75	1.25	0.28	3.72	1	1	-	-	-	-
T16ACB20	3.00	2.50	1.94	1.25	1.25	1.44	4.00	0.28	-	0.28	-	-	-	1.75	1.25	0.28	3.72	1 1/4	1 1/4	-	-	-	-
T17ACB12	4.00	2.50	2.00	1.25	1.25	1.91	4.25	-	3.72	-	3.97	1.25	0.60	2.00	1.25	0.28	3.97	3/4	3/4	1/2	-	-	-
T17ACB16	4.00	2.50	2.00	1.25	1.25	1.91	4.25	-	3.72	-	3.97	1.25	0.60	2.00	1.25	0.28	3.97	1	1	1/2	-	-	-
T17ACB20	4.00	2.50	2.00	1.25	1.25	1.91	4.25	-	3.72	-	3.97	1.25	0.60	2.00	1.25	0.28	3.97	1 1/4	1 1/4	1/2	-	-	-
T18ACB12	3.50	2.75	2.06	1.38	1.38	1.73	4.50	0.34	-	0.34	-	-	-	2.06	1.38	0.34	4.16	3/4	3/4	-	-	-	-
T18ACB16	3.50	2.75	2.06	1.38	1.38	1.73	4.50	0.34	-	0.34	-	-	-	2.06	1.38	0.34	4.16	1	1	-	-	-	-
T18ACB20	3.50	2.75	2.06	1.38	1.38	1.73	4.50	0.34	-	0.34	-	-	-	2.06	1.38	0.34	4.16	1 1/4	1 1/4	-	-	-	-
T19ACB16	4.38	3.00	2.22	1.50	1.50	2.54	5.00	-	4.03	-	4.66	1.50	0.75	2.22	1.50	0.34	4.66	1	1	3/4	-	-	-
T19ACB20	4.38	3.00	2.22	1.50	1.50	2.54	5.00	-	4.03	-	4.66	1.50	0.75	2.22	1.50	0.34	4.66	1 1/4	1 1/4	3/4	-	-	-
T21ACB4	2.50	1.25	1.25	0.63	0.63	1.98	3.56	-	2.28	-	3.34	0.63	1.07	1.25	0.63	0.22	3.34	1/4	1/4	1/4	1/4	-	-
T21ACB6	2.50	1.25	1.25	0.63	0.63	1.98	3.56	-	2.28	-	3.34	0.63	1.07	1.25	0.63	0.22	3.34	3/8	3/8	3/8	1/4	-	-
T21ACB8	2.50	1.25	1.25	0.63	0.63	1.98	3.56	-	2.28	-	3.34	0.63	1.07	1.25	0.63	0.22	3.34	1/2	1/2	3/8	1/4	-	-
T22ACB6	3.50	2.00	1.75	1.00	1.00	2.04	3.75	-	3.22	-	3.47	1.00	1.10	1.75	1.00	0.28	3.47	3/8	3/8	3/8	3/8	-	-
T22ACB8	3.50	2.00	1.75	1.00	1.00	2.04	3.75	-	3.22	-	3.47	1.00	1.10	1.75	1.00	0.28	3.47	1/2	1/2	3/8	3/8	-	-
T22ACB12	3.50	2.00	1.75	1.00	1.00	2.04	4.00	-	3.22	-	3.72	1.00	1.10	1.75	1.00	0.28	3.72	3/4	3/4	3/8	3/8	-	-
T23ACB12	4.00	2.50	2.22	1.25	1.25	2.63	4.75	-	3.72	-	4.47	1.25	1.35	2.22	1.25	0.28	4.47	3/4	3/4	1/2	3/8	-	-
T23ACB16	4.00	2.50	2.22	1.25	1.25	2.63	4.75	-	3.72	-	4.47	1.25	1.35	2.22	1.25	0.28	4.47	1	1	1/2	3/8	-	-
T23ACB20	4.00	2.50	2.22	1.25	1.25	2.63	4.75	-	3.72	-	4.47	1.25	1.35	2.22	1.25	0.28	4.47	1 1/4	1 1/4	1/2	3/8	-	-
T24ACB16	5.00	3.00	2.50	1.50	1.50	3.38	5.87	-	4.66	-	5.53	1.50	1.60	2.50	1.50	0.34	5.53	1	1	3/4	1/2	-	-
T24ACB20	5.00	3.00	2.50	1.50	1.50	3.38	5.87	-	4.66	-	5.53	1.50	1.60	2.50	1.50	0.34	5.53	1 1/4	1 1/4	3/4	1/2	-	-

Chart continued on next page

Specifications, descriptions, and dimensional data are subject to correction or change without notice or incurring obligation. Download latest catalog page revisions at www.daman.com.

Standard Manifolds
Cover Plates
Valve Adaptors
Subplates
Servo Valve Subplates
Tapping Plates
Cartridge Valve Cavity Bodies
Header and Junction Blocks
Sandwich Modules
Technical Information

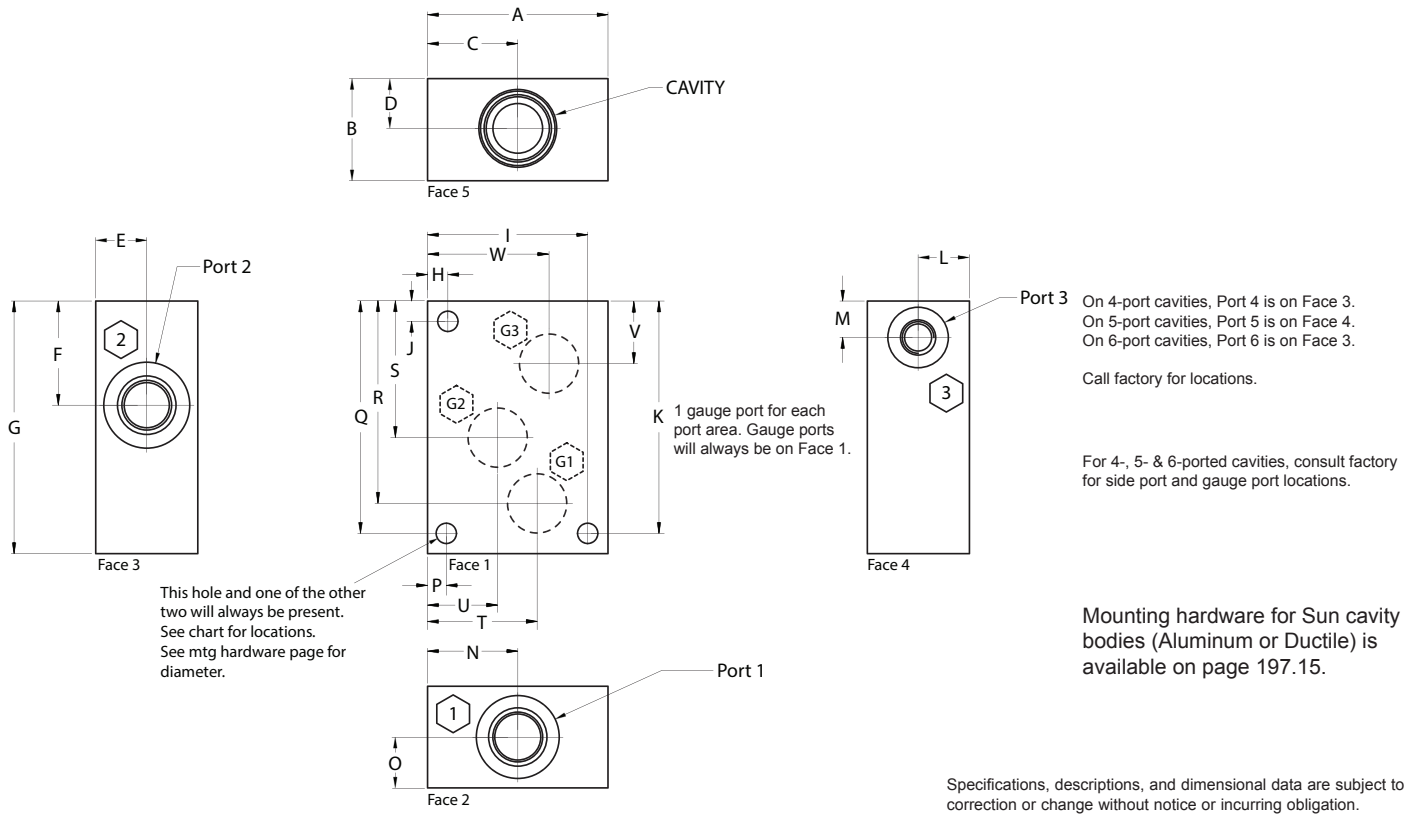


Sun Cavity Bodies - Aluminum & Ductile Iron

Part Number	A	B	C	D	E	F	G	H	I	J	K	L	M	N	O	P	Q	Port 1	Port 2	Port 3	Port 4	Port 5	Port 6
T31ACB4	2.75	1.25	1.38	0.63	0.63	2.72	4.75	-	2.53	-	4.53	0.63	1.82	1.38	0.63	0.22	4.53	1/4	1/4	1/4	1/4	-	-
T31ACB6	2.75	1.25	1.38	0.63	0.63	2.72	4.75	-	2.53	-	4.53	0.63	1.82	1.38	0.63	0.22	4.53	3/8	3/8	3/8	3/8	-	-
T31ACB8	2.75	1.25	1.38	0.63	0.63	2.72	4.75	-	2.53	-	4.53	0.63	1.82	1.38	0.63	0.22	4.53	1/2	1/2	1/2	1/2	-	-
T32ACB6	3.50	2.00	1.75	1.00	1.00	2.98	5.25	-	3.22	-	4.97	1.00	2.02	1.75	1.00	0.28	4.97	3/8	3/8	3/8	3/8	-	-
T32ACB8	3.50	2.00	1.75	1.00	1.00	2.98	5.25	-	3.22	-	4.97	1.00	2.02	1.75	1.00	0.28	4.97	1/2	1/2	1/2	1/2	-	-
T32ACB12	3.50	2.00	1.75	1.00	1.00	2.98	5.25	-	3.22	-	4.97	1.00	2.02	1.75	1.00	0.28	4.97	3/4	3/4	3/4	3/4	-	-
T33ACB12	4.00	2.25	2.00	1.13	1.13	3.71	6.38	-	3.66	-	6.03	1.13	2.53	2.00	1.13	0.34	6.03	3/4	3/4	3/4	3/4	-	-
T33ACB16	4.00	2.25	2.00	1.13	1.13	3.71	6.38	-	3.66	-	6.03	1.13	2.53	2.00	1.13	0.34	6.03	1	1	1	1	-	-
T33ACB20	4.00	3.00	2.00	1.50	1.50	3.71	6.50	-	3.66	-	6.16	1.50	2.53	2.00	1.50	0.34	6.16	1 1/4	1 1/4	1 1/4	1 1/4	-	-
T52ACB6	3.50	2.00	1.75	1.00	1.00	4.40	6.25	-	3.22	-	5.97	1.00	3.43	1.75	1.00	0.28	5.97	3/8	3/8	3/8	3/8	3/8	3/8
T52ACB8	3.50	2.00	1.75	1.00	1.00	4.40	6.25	-	3.22	-	5.97	1.00	3.43	1.75	1.00	0.28	5.97	1/2	1/2	1/2	1/2	1/2	3/8
T52ACB12	3.50	2.00	1.75	1.00	1.00	4.40	6.25	-	3.22	-	5.97	1.00	3.43	1.75	1.00	0.28	5.97	3/4	3/4	3/4	3/4	3/4	3/8
T53ACB12	4.00	3.00	2.00	1.50	1.50	5.52	7.63	-	3.66	-	7.28	1.50	4.35	2.00	1.50	0.34	7.28	3/4	3/4	3/4	3/4	3/4	1/2
T53ACB16	4.00	3.00	2.00	1.50	1.50	5.52	7.63	-	3.66	-	7.28	1.50	4.35	2.00	1.50	0.34	7.28	1	1	1	1	1	1/2
T54ACB20	5.00	4.00	2.50	2.00	2.00	7.22	10.00	-	4.66	-	9.66	2.00	5.66	2.50	2.00	0.34	9.66	1 1/4	1 1/4	1 1/4	1 1/4	1 1/4	3/4
T61ACB4	2.75	1.25	1.38	0.63	0.63	3.94	5.62	-	2.53	-	5.40	0.63	3.03	1.38	0.63	0.22	5.40	1/4	1/4	1/4	1/4	1/4	1/4
T61ACB6	2.75	1.25	1.38	0.63	0.63	3.94	5.62	-	2.53	-	5.40	0.63	3.03	1.38	0.63	0.22	5.40	3/8	3/8	3/8	3/8	3/8	1/4
T61ACB8	2.75	1.25	1.38	0.63	0.63	3.94	5.62	-	2.53	-	5.40	0.63	3.03	1.38	0.63	0.22	5.40	1/2	1/2	1/2	1/2	1/2	1/4
T62ACB6	3.50	2.00	1.75	1.00	1.00	4.33	6.25	-	3.22	-	5.97	1.00	3.38	1.75	1.00	0.28	5.97	3/8	3/8	3/8	3/8	3/8	3/8
T62ACB8	3.50	2.00	1.75	1.00	1.00	4.33	6.25	-	3.22	-	5.97	1.00	3.38	1.75	1.00	0.28	5.97	1/2	1/2	1/2	1/2	3/8	3/8
T62ACB12	3.50	2.00	1.75	1.00	1.00	4.33	6.25	-	3.22	-	5.97	1.00	3.38	1.75	1.00	0.28	5.97	3/4	3/4	3/4	3/4	3/8	3/8
T63ACB12	4.00	2.25	2.00	1.13	1.13	5.30	7.75	-	3.66	-	7.41	1.13	4.13	2.00	1.13	0.34	7.41	3/4	3/4	3/4	3/4	1/2	3/8
T63ACB16	4.00	2.25	2.00	1.13	1.13	5.30	7.75	-	3.66	-	7.41	1.13	4.13	2.00	1.13	0.34	7.41	1	1	1	1	1/2	3/8
T63ACB20	4.50	3.00	2.25	1.50	1.50	5.30	8.00	-	4.16	-	7.66	1.50	4.13	2.25	1.50	0.34	7.66	1 1/4	1 1/4	1 1/4	1 1/4	1/2	3/8
T64ACB16	5.00	3.00	2.50	1.50	1.50	6.51	9.62	-	4.66	-	9.28	1.50	5.01	2.50	1.50	0.34	9.28	1	1	1	1	3/4	1/2
T64ACB20	5.00	3.00	2.50	1.50	1.50	6.51	9.62	-	4.66	-	9.28	1.50	5.01	2.50	1.50	0.34	9.28	1 1/4	1 1/4	1 1/4	1 1/4	3/4	1/2
T162ACB4	1.88	1.25	1.06	0.63	0.63	0.67	2.00	-	1.66	-	1.78	-	-	1.06	0.63	0.22	1.78	1/4	1/4	-	-	-	-
T162ACB6	1.88	1.25	1.06	0.63	0.63	0.67	2.00	-	1.66	-	1.78	-	-	1.06	0.63	0.22	1.78	3/8	3/8	-	-	-	-
T162ACB8	2.00	1.25	1.23	0.63	0.63	0.67	2.25	-	1.78	-	1.22	-	-	1.23	0.63	0.22	2.03	1/2	1/2	-	-	-	-
T163ACB4	2.25	1.25	1.10	0.63	0.63	1.28	2.75	-	2.03	-	2.53	0.63	0.46	1.10	0.63	0.22	2.53	1/4	1/4	1/4	-	-	-
T163ACB6	2.25	1.25	1.10	0.63	0.63	1.28	2.75	-	2.03	-	2.53	0.63	0.46	1.10	0.63	0.22	2.53	3/8	3/8	3/8	-	-	-
T163ACB8	2.75	1.25	1.38	0.63	0.63	1.28	3.00	-	2.53	-	2.78	0.63	0.46	1.38	0.63	0.22	2.78	1/2	1/2	3/8	-	-	-

Specifications, descriptions, and dimensional data are subject to correction or change without notice or incurring obligation. Download latest catalog page revisions at www.daman.com.

Sun Cavity Bodies w/Gauge Ports - Al. & Du. Iron



Ordering Information

Daman can sell Sun valves. See page 227 for stocked valves, or consult factory for price and delivery of valves not shown.

For coating options see pages 245-246.

Material	Sun Cavity Size	Product Type	Port Size	Port Threads	/	G
----------	-----------------	--------------	-----------	--------------	---	---

Material	
A	Aluminum - 6061-T6 3000† psi • 20.7 MPa
D	Ductile Iron - D4512 5000† psi • 34.5 MPa

† Working pressure should be considered in accordance with ISO 4413 to determine appropriate material type.

Sun Cavity Size					
T2A	T11A	T21A	T33A	T63A	
T3A	T13A	T22A	T52A	T64A	
T5A	T16A	T23A	T53A	T162A	
T8A	T17A	T24A	T54A	T163A	
T9A	T18A	T31A	T61A	---	
T10A	T19A	T32A	T62A	---	

Size of Port 1 & 2	
4	1/4 inch (-4) Hose/Fitting size (M) port threads = M10 x 1.0
6	3/8 inch (-6) Hose/Fitting size (M) port threads = M14 x 1.5
8	1/2 inch (-8) Hose/Fitting size (M) port threads = M18 x 1.5
12	3/4 inch (-12) Hose/Fitting size (M) port threads = M27 x 2.0
16	1 inch (-16) Hose/Fitting size (M) port threads = M33 x 2.0
20	1-1/4 inch (-20) Hose/Fitting size (M) port threads = M42 x 2.0

Port Threads	
P	NPTF ANSI B1.20.3
S	SAE ISO 11926; SAE 1926
B	BSPP ISO 1179
M	ISO ISO 6149
T	BSPT ISO 7

Gauge Port	
G	Gauge Port
	0.250 NPTF (P option)
	0.250 BSPP (B option)
	0.250 BSPT (T option)
	M10 x 1.0 (M option)
	-6 SAE (S option)

Port "style" of gauge port is determined by selection of "port threads".

Product Type	
CB	Cavity Bodies

Consult chart for port size availability with each cavity size, and for additional port sizes.

Standard Manifolds
Cover Plates
Valve Adaptors
Subplates
Servo Valve Subplates
Tapping Plates
Cartridge Valve Cavity Bodies
Header and Junction Blocks
Sandwich Modules
Technical Information



Sun Cavity Bodies w/Gauge Ports - Al. & Du. Iron

Part Number	A	B	C	D	E	F	G	H	I	J	K	L	M	N	O	P	Q	R	S	T	U	V	W	Port 1	Port 2	Port 3	Port 4	Port 5	Port 6
T2ACB4/G	3.00	2.00	1.63	0.75	0.75	1.44	3.25	-	2.72	-	2.97	0.75	0.51	1.63	0.75	0.28	2.97	2.47	1.44	1.63	0.88	0.51	2.34	1/4	1/4	1/4	-	-	-
T2ACB6/G	3.00	2.00	1.63	0.75	0.75	1.44	3.25	-	2.72	-	2.97	0.75	0.51	1.63	0.75	0.28	2.97	2.47	1.44	1.63	0.88	0.51	2.34	3/8	3/8	3/8	-	-	-
T2ACB8/G	3.00	2.00	1.63	0.75	0.75	1.44	3.25	-	2.72	-	2.97	0.75	0.51	1.63	0.75	0.28	2.97	2.47	1.44	1.63	0.88	0.51	2.34	1/2	1/2	3/8	-	-	-
T2ACB12/G	3.00	2.25	1.63	1.00	1.00	1.44	3.25	-	2.72	-	2.97	1.00	0.51	1.63	1.00	0.28	2.97	2.44	1.44	2.09	1.00	0.51	2.34	3/4	3/4	3/8	-	-	-
T3ACB4/G	2.00	2.00	1.16	0.75	0.75	1.09	3.00	0.22	-	0.22	-	-	-	1.16	0.75	0.22	2.78	2.22	1.09	1.16	0.78	-	-	1/4	1/4	-	-	-	-
T3ACB6/G	2.00	2.00	1.16	0.75	0.75	1.09	3.00	0.22	-	0.22	-	-	-	1.16	0.75	0.22	2.78	2.22	1.09	1.16	0.78	-	-	3/8	3/8	-	-	-	-
T3ACB8/G	2.00	2.00	1.16	0.75	0.75	1.09	3.00	0.22	-	0.22	-	-	-	1.16	0.75	0.22	2.78	2.22	1.09	1.16	0.78	-	-	1/2	1/2	-	-	-	-
T3ACB12/G	2.25	2.25	1.41	0.88	0.88	1.07	3.00	0.22	-	0.22	-	-	-	1.41	0.88	0.22	2.78	2.22	1.07	1.41	0.94	-	-	3/4	3/4	-	-	-	-
T5ACB4/G	2.25	2.00	1.25	0.75	0.75	0.88	3.00	-	2.03	-	2.78	-	-	1.25	0.75	0.22	2.78	2.09	0.88	1.25	0.84	-	-	1/4	1/4	-	-	-	-
T5ACB6/G	2.25	2.00	1.25	0.75	0.75	0.88	3.00	-	2.03	-	2.78	-	-	1.25	0.75	0.22	2.78	2.09	0.88	1.25	0.84	-	-	3/8	3/8	-	-	-	-
T5ACB8/G	2.25	2.00	1.25	0.75	0.75	0.88	3.00	-	2.03	-	2.78	-	-	1.25	0.75	0.22	2.78	2.09	0.88	1.25	0.84	-	-	1/2	1/2	-	-	-	-
T5ACB12/G	2.50	2.25	1.56	0.88	0.88	0.88	3.00	-	2.28	-	2.78	-	-	1.47	0.88	0.22	2.78	2.00	0.88	1.56	1.00	-	-	3/4	3/4	-	-	-	-
T8ACB4/G	2.00	2.00	1.16	0.75	0.75	0.52	1.75	-	1.78	-	0.22	-	-	1.16	0.75	0.22	1.53	1.18	0.52	1.41	0.59	-	-	1/4	1/4	-	-	-	-
T8ACB6/G	2.00	2.00	1.16	0.75	0.75	0.52	1.75	-	1.78	-	0.22	-	-	1.16	0.75	0.22	1.53	1.18	0.52	1.41	0.59	-	-	3/8	3/8	-	-	-	-
T9ACB4/G	2.50	1.75	1.25	0.75	0.75	0.90	2.00	-	2.28	-	1.78	0.75	0.53	1.25	0.75	0.22	1.78	1.44	0.90	1.53	0.66	0.53	1.94	1/4	1/4	1/4	-	-	-
T9ACB6/G	2.50	1.75	1.25	0.75	0.75	0.90	2.00	-	2.28	-	1.78	0.75	0.53	1.25	0.75	0.22	1.78	1.44	0.90	1.53	0.66	0.53	1.94	3/8	3/8	1/4	-	-	-
T10ACB4/G	1.63	2.00	0.94	0.63	0.63	0.96	2.50	0.22	-	0.22	-	-	-	0.94	0.63	0.22	2.28	1.94	0.96	0.94	0.59	-	-	1/4	1/4	-	-	-	-
T10ACB6/G	1.63	2.00	0.94	0.63	0.63	0.96	2.50	0.22	-	0.22	-	-	-	0.94	0.63	0.22	2.28	1.94	0.96	0.94	0.59	-	-	3/8	3/8	-	-	-	-
T10ACB8/G	2.25	2.00	1.44	0.88	0.88	0.85	3.00	-	2.03	-	2.00	-	-	1.25	0.88	0.22	2.00	2.00	0.85	1.25	1.25	-	-	1/2	1/2	-	-	-	-
T10ACB12/G	2.25	2.00	1.44	0.88	0.88	0.85	3.00	-	2.03	-	2.00	-	-	1.25	0.88	0.22	2.00	2.00	0.85	1.25	1.25	-	-	3/4	3/4	-	-	-	-
T11ACB4/G	2.50	1.75	1.25	0.63	0.63	1.41	3.00	-	2.28	-	2.78	0.63	0.47	1.25	0.63	0.22	2.78	2.38	1.41	1.59	0.75	0.47	1.81	1/4	1/4	1/4	-	-	-
T11ACB6/G	2.50	1.75	1.25	0.63	0.63	1.41	3.00	-	2.28	-	2.78	0.63	0.47	1.25	0.63	0.22	2.78	2.38	1.41	1.59	0.75	0.47	1.81	3/8	3/8	3/8	-	-	-
T11ACB8/G	2.50	1.75	1.25	0.63	0.63	1.41	3.00	-	2.28	-	2.78	0.63	0.47	1.25	0.63	0.22	2.78	2.38	1.41	1.59	0.75	0.47	1.81	1/2	1/2	3/8	-	-	-
T13ACB4/G	1.75	1.75	0.94	0.63	0.63	0.78	2.25	-	1.53	-	2.03	-	-	0.94	0.63	0.22	2.03	1.69	0.78	0.97	0.53	-	-	1/4	1/4	-	-	-	-
T13ACB6/G	1.75	1.75	0.94	0.63	0.63	0.78	2.25	-	1.53	-	2.03	-	-	0.94	0.63	0.22	2.03	1.69	0.78	0.97	0.53	-	-	3/8	3/8	-	-	-	-
T13ACB8/G	2.50	2.00	1.63	0.88	0.88	0.85	3.00	-	2.28	-	2.78	-	-	1.44	0.88	0.22	2.78	1.94	0.84	1.63	1.63	-	-	1/2	1/2	-	-	-	-
T13ACB12/G	2.50	2.00	1.63	0.88	0.88	0.85	3.00	-	2.28	-	2.78	-	-	1.44	0.88	0.22	2.78	1.94	0.84	1.63	1.63	-	-	3/4	3/4	-	-	-	-
T16ACB12/G	3.00	2.50	1.94	1.25	1.25	1.44	4.00	0.28	-	0.28	-	-	-	1.75	1.25	0.28	3.72	2.94	1.44	1.31	1.03	-	-	3/4	3/4	-	-	-	-
T16ACB16/G	3.00	2.50	1.94	1.25	1.25	1.44	4.00	0.28	-	0.28	-	-	-	1.75	1.25	0.28	3.72	2.94	1.44	1.31	1.03	-	-	1	1	-	-	-	-
T16ACB20/G	3.00	2.50	1.94	1.25	1.25	1.44	4.00	0.28	-	0.28	-	-	-	1.75	1.25	0.28	3.72	2.94	1.44	1.03	1.31	-	-	1 1/4	1 1/4	-	-	-	-
T17ACB12/G	4.00	2.50	2.00	1.25	1.25	1.91	4.25	-	3.72	-	3.97	1.25	0.60	2.00	1.25	0.28	3.97	3.16	1.91	2.00	1.25	0.60	3.09	3/4	3/4	1/2	-	-	-
T17ACB16/G	4.00	2.50	2.00	1.25	1.25	1.91	4.25	-	3.72	-	3.97	1.25	0.60	2.00	1.25	0.28	3.97	3.16	1.91	2.00	1.25	0.60	3.09	1	1	1/2	-	-	-
T17ACB20/G	4.00	2.50	2.00	1.25	1.25	1.91	4.25	-	3.72	-	3.97	1.25	0.60	2.00	1.25	0.28	3.97	3.16	1.91	2.00	1.25	0.60	3.09	1 1/4	1 1/4	1/2	-	-	-
T18ACB12/G	3.50	3.00	2.06	1.38	1.38	1.73	4.50	0.34	-	0.34	-	-	-	2.06	1.38	0.34	4.16	3.50	1.73	2.06	1.03	-	-	3/4	3/4	-	-	-	-
T18ACB16/G	3.50	3.00	2.06	1.38	1.38	1.73	4.50	0.34	-	0.34	-	-	-	2.06	1.38	0.34	4.16	3.50	1.73	2.06	1.03	-	-	1	1	-	-	-	-
T18ACB20/G	3.50	3.00	2.06	1.38	1.38	1.73	4.50	0.34	-	0.34	-	-	-	2.06	1.38	0.34	4.16	3.50	1.73	2.06	1.03	-	-	1 1/4	1 1/4	-	-	-	-
T19ACB16/G	4.38	3.00	2.22	1.50	1.50	2.54	5.00	-	4.03	-	4.66	1.50	0.75	2.22	1.50	0.34	4.66	4.06	2.54	2.22	1.25	0.75	3.38	1	1	3/4	-	-	-
T19ACB20/G	4.38	3.00	2.22	1.50	1.50	2.54	5.00	-	4.03	-	4.66	1.50	0.75	2.22	1.50	0.34	4.66	4.06	2.54	2.22	1.25	0.75	3.38	1 1/4	1 1/4	3/4	-	-	-
T21ACB4/G	2.50	2.00	1.25	0.63	0.63	1.98	3.56	-	2.28	-	3.34	0.63	1.07	1.25	0.63	0.22	3.34	2.92	1.98	1.50	0.75	1.07	1.84	1/4	1/4	1/4	1/4	-	-
T21ACB6/G	2.50	2.00	1.25	0.63	0.63	1.98	3.56	-	2.28	-	3.34	0.63	1.07	1.25	0.63	0.22	3.34	2.92	1.98	1.50	0.75	1.07	1.84	3/8	3/8	3/8	1/4	-	-
T21ACB8/G	2.50	2.00	1.25	0.63	0.63	1.98	3.56	-	2.28	-	3.34	0.63	1.07	1.25	0.63	0.22	3.34	2.92	1.98	1.50	0.75	1.07	1.84	1/2	1/2	3/8	1/4	-	-
T22ACB6/G	3.50	2.25	1.75	1.00	1.00	2.04	3.75	-	3.22	-	3.47	1.00	1.10	1.75	1.00	0.28	3.47	3.07	2.04	1.75	1.09	1.10	2.78	3/8	3/8	3/8	3/8	-	-
T22ACB8/G	3.50	2.25	1.75	1.00	1.00	2.04	3.75	-	3.22	-	3.47	1.00	1.10	1.75	1.00	0.28	3.47	3.07	2.04	1.75	1.09	1.10	2.78	1/2	1/2	3/8	3/8	-	-
T22ACB12/G	3.50	2.25	1.75	1.00	1.00	2.04	4.00	-	3.22	-	3.72	1.00	1.10	1.75	1.00	0.28	3.72	3.07	2.04	1.75	1.09	1.10	2.78	3/4	3/4	3/8	3/8	-	-
T23ACB12/G	4.00	2.50	2.22	1.25	1.25	2.63	4.75	-	3.72	-	4.47	1.25	1.35	2.22	1.25	0.28	4.47	3.82	2.63	2.91	1.44	1.35	3.22	3/4	3/4	1/2	3/8	-	-
T23ACB16/G	4.00	2.50	2.22	1.25	1.25	2.63	4.75	-	3.72	-	4.47	1.25	1.35	2.22	1.25	0.28	4.47	3.82	2.63	2.91	1.44	1.35	3.22	1	1	1/2	3/8	-	-
T23ACB20/G	4.00	2.50	2.22	1.25	1.25	2.63	4.75	-	3.72	-	4.47	1.25	1.35	2.22	1.25	0.28	4.47	3.82	2.63	2.91	1.44	1.35	3.22	1 1/4	1 1/4	1/2	3/8	-	-
T24ACB16/G	5.00	3.00	2.50	1.50	1.50	3.38	5.87	-	4.66	-	5.53	1.50	1.60	2.50	1.50	0.34	5.53	4.91	3.38	2.50	1.50	1.60	3.75	1	1	3/4	1/2	-	-
T24ACB20/G	5.00	3.00	2.50	1.50	1.50	3.38	5.87	-	4.66	-	5.53	1.50	1.60	2.50	1.50	0.34	5.53	4.91	3										



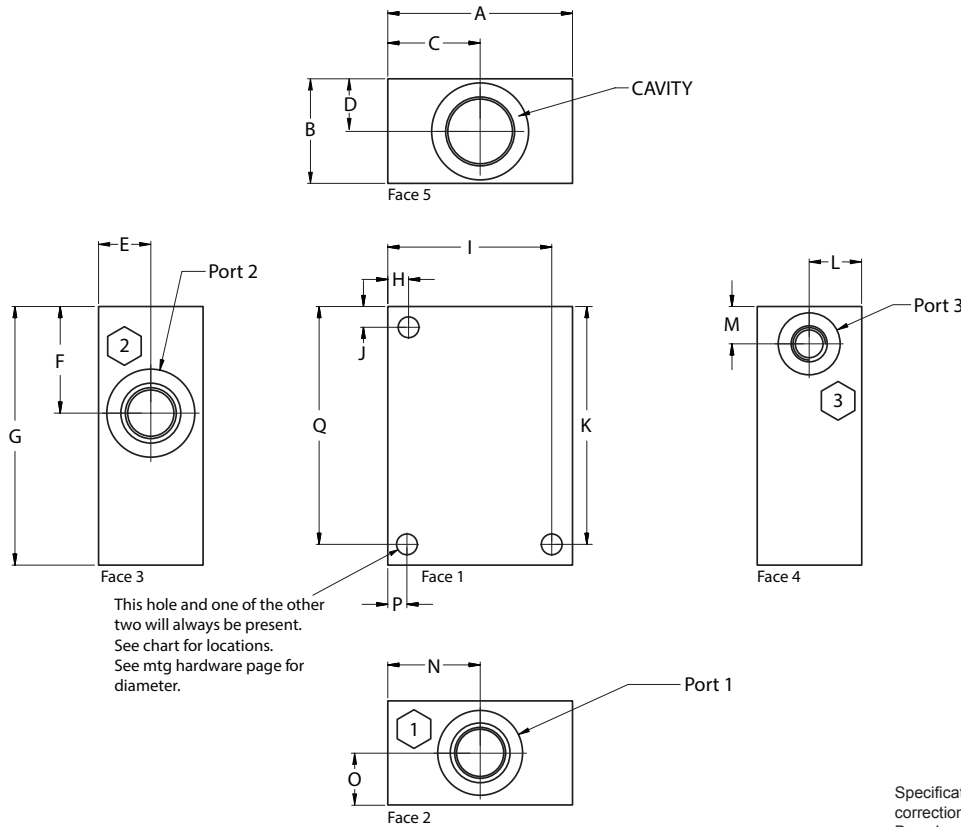
Sun Cavity Bodies w/Gauge Ports - Al. & Du. Iron

Part Number	A	B	C	D	E	F	G	H	I	J	K	L	M	N	O	P	Q	R	S	T	U	V	W	Port 1	Port 2	Port 3	Port 4	Port 5	Port 6
T31ACB4/G	2.75	2.25	1.38	0.63	0.63	2.72	4.75	-	2.53	-	4.53	0.63	1.82	1.38	0.63	0.22	4.53	3.94	2.72	1.38	0.78	1.82	1.94	1/4	1/4	1/4	1/4	-	-
T31ACB6/G	2.75	2.25	1.38	0.63	0.63	2.72	4.75	-	2.53	-	4.53	0.63	1.82	1.38	0.63	0.22	4.53	3.94	2.72	1.38	0.78	1.82	1.94	3/8	3/8	3/8	3/8	-	-
T31ACB8/G	2.75	2.25	1.38	0.63	0.63	2.72	4.75	-	2.53	-	4.53	0.63	1.82	1.38	0.63	0.22	4.53	3.94	2.72	1.38	0.78	1.82	1.94	1/2	1/2	1/2	1/2	-	-
T32ACB6/G	3.50	2.00	1.75	1.00	1.00	2.98	5.25	-	3.22	-	4.97	1.00	2.02	1.75	1.00	0.28	4.97	4.13	2.98	1.75	1.09	2.02	2.41	3/8	3/8	3/8	3/8	-	-
T32ACB8/G	3.50	2.00	1.75	1.00	1.00	2.98	5.25	-	3.22	-	4.97	1.00	2.02	1.75	1.00	0.28	4.97	4.13	2.98	1.75	1.09	2.02	2.41	1/2	1/2	1/2	1/2	-	-
T32ACB12/G	3.50	2.00	1.75	1.00	1.00	2.98	5.25	-	3.22	-	4.97	1.00	2.02	1.75	1.00	0.28	4.97	4.13	2.98	1.75	1.09	2.02	2.41	3/4	3/4	3/4	3/4	-	-
T33ACB12/G	4.00	2.25	2.00	1.13	1.13	3.71	6.38	-	3.66	-	6.03	1.13	2.53	2.00	1.13	0.34	6.03	5.11	3.71	2.00	1.09	2.53	2.91	3/4	3/4	3/4	3/4	-	-
T33ACB16/G	4.00	2.25	2.00	1.13	1.13	3.71	6.38	-	3.66	-	6.03	1.13	2.53	2.00	1.13	0.34	6.03	5.11	3.71	2.00	1.09	2.53	2.91	1	1	1	1	-	-
T33ACB20/G	4.00	3.00	2.00	1.50	1.50	3.71	6.50	-	3.66	-	6.16	1.50	2.53	2.00	1.50	0.34	6.16	5.11	3.71	2.00	1.09	2.53	2.91	1 1/4	1 1/4	1 1/4	1 1/4	-	-
T52ACB6/G	3.50	2.25	1.75	1.00	1.00	4.40	6.25	-	3.22	-	5.97	1.00	3.43	1.75	1.00	0.28	5.97	5.32	4.40	1.75	1.06	3.43	2.44	3/8	3/8	3/8	3/8	3/8	3/8
T52ACB8/G	3.50	2.25	1.75	1.00	1.00	4.40	6.25	-	3.22	-	5.97	1.00	3.43	1.75	1.00	0.28	5.97	5.32	4.40	1.75	1.06	3.43	2.44	1/2	1/2	1/2	1/2	1/2	3/8
T52ACB12/G	3.50	2.25	1.75	1.00	1.00	4.40	6.25	-	3.22	-	5.97	1.00	3.43	1.75	1.00	0.28	5.97	5.32	4.40	1.75	1.06	3.43	2.44	3/4	3/4	3/4	3/4	3/4	3/8
T53ACB12/G	4.00	3.00	2.00	1.50	1.50	5.52	7.63	-	3.66	-	7.28	1.50	4.35	2.00	1.50	0.34	7.28	6.63	5.52	2.00	0.94	4.35	3.06	3/4	3/4	3/4	3/4	3/4	1/2
T53ACB16/G	4.00	3.00	2.00	1.50	1.50	5.52	7.63	-	3.66	-	7.28	1.50	4.35	2.00	1.50	0.34	7.28	6.63	5.52	2.00	0.94	4.35	3.06	1	1	1	1	1	1/2
T54ACB20/G	5.00	4.00	2.50	2.00	2.00	7.22	10.00	-	4.66	-	9.66	2.00	5.66	2.50	2.00	0.34	9.66	8.75	7.22	2.50	1.00	5.66	4.00	1 1/4	1 1/4	1 1/4	1 1/4	1 1/4	3/4
T61ACB4/G	2.75	2.25	1.38	0.63	0.63	3.94	5.62	-	2.53	-	5.40	0.63	3.03	1.38	0.63	0.22	5.40	4.88	3.94	1.38	0.72	3.03	2.03	1/4	1/4	1/4	1/4	1/4	1/4
T61ACB6/G	2.75	2.25	1.38	0.63	0.63	3.94	5.62	-	2.53	-	5.40	0.63	3.03	1.38	0.63	0.22	5.40	4.88	3.94	1.38	0.72	3.03	2.03	3/8	3/8	3/8	3/8	3/8	1/4
T61ACB8/G	2.75	2.25	1.38	0.63	0.63	3.94	5.62	-	2.53	-	5.40	0.63	3.03	1.38	0.63	0.22	5.40	4.88	3.94	1.38	0.72	3.03	2.03	1/2	1/2	1/2	1/2	3/8	1/4
T62ACB6/G	3.50	2.25	1.75	1.00	1.00	4.33	6.25	-	3.22	-	5.97	1.00	3.38	1.75	1.00	0.28	5.97	5.31	4.33	1.75	1.00	3.38	2.50	3/8	3/8	3/8	3/8	3/8	3/8
T62ACB8/G	3.50	2.25	1.75	1.00	1.00	4.33	6.25	-	3.22	-	5.97	1.00	3.38	1.75	1.00	0.28	5.97	5.31	4.33	1.75	1.00	3.38	2.50	1/2	1/2	1/2	1/2	3/8	3/8
T62ACB12/G	3.50	2.25	1.75	1.00	1.00	4.33	6.25	-	3.22	-	5.97	1.00	3.38	1.75	1.00	0.28	5.97	5.31	4.33	1.75	1.00	3.38	2.50	3/4	3/4	3/4	3/4	3/8	3/8
T63ACB12/G	4.00	2.25	2.00	1.13	1.13	5.30	7.75	-	3.66	-	7.41	1.13	4.13	2.00	1.13	0.34	7.41	6.63	5.30	2.00	1.09	4.13	2.91	3/4	3/4	3/4	3/4	1/2	3/8
T63ACB16/G	4.00	2.25	2.00	1.13	1.13	5.30	7.75	-	3.66	-	7.41	1.13	4.13	2.00	1.13	0.34	7.41	6.63	5.30	2.00	1.09	4.13	2.91	1	1	1	1	1/2	3/8
T63ACB20/G	4.50	3.00	2.25	1.50	1.50	5.30	8.00	-	4.16	-	7.66	1.50	4.13	2.25	1.50	0.34	7.66	6.63	5.30	2.25	1.09	4.13	3.41	1 1/4	1 1/4	1 1/4	1 1/4	1/2	3/8
T64ACB16/G	5.00	3.00	2.50	1.50	1.50	6.51	9.62	-	4.66	-	9.28	1.50	5.01	2.50	1.50	0.34	9.28	8.21	6.51	2.50	1.25	5.01	3.75	1	1	1	1	3/4	1/2
T64ACB20/G	5.00	3.00	2.50	1.50	1.50	6.51	9.62	-	4.66	-	9.28	1.50	5.01	2.50	1.50	0.34	9.28	8.21	6.51	2.50	1.25	5.01	3.75	1 1/4	1 1/4	1 1/4	1 1/4	3/4	1/2
T162ACB4/G	1.88	2.00	1.06	0.63	0.63	0.67	2.00	-	1.66	-	1.78	-	-	1.06	0.63	0.22	1.78	1.50	0.63	0.84	1.35	-	-	1/4	1/4	-	-	-	-
T162ACB6/G	1.88	2.00	1.06	0.63	0.63	0.67	2.00	-	1.66	-	1.78	-	-	1.06	0.63	0.22	1.78	1.50	0.63	0.84	1.35	-	-	3/8	3/8	-	-	-	-
T162ACB8/G	2.00	1.75	1.23	0.63	0.63	0.67	2.25	-	1.78	-	1.22	-	-	1.23	0.63	0.22	2.03	1.53	0.63	0.91	1.35	-	-	1/2	1/2	-	-	-	-
T163ACB4/G	2.25	1.75	1.10	0.63	0.63	1.28	2.75	-	2.03	-	2.53	0.63	0.46	1.10	0.63	0.22	2.53	2.16	1.28	1.25	0.63	0.50	1.66	1/4	1/4	1/4	-	-	-
T163ACB6/G	2.25	1.75	1.10	0.63	0.63	1.28	2.75	-	2.03	-	2.53	0.63	0.46	1.10	0.63	0.22	2.53	2.16	1.28	1.25	0.63	0.50	1.66	3/8	3/8	3/8	-	-	-
T163ACB8/G	2.75	1.75	1.38	0.63	0.63	1.28	3.00	-	2.53	-	2.78	0.63	0.46	1.38	0.63	0.22	2.78	2.16	1.28	1.50	0.88	0.50	1.91	1/2	1/2	3/8	-	-	-

Specifications, descriptions, and dimensional data are subject to correction or change without notice or incurring obligation. Download latest catalog page revisions at www.daman.com.

Standard Manifolds
 Cover Plates
 Valve Adaptors
 Subplates
 Servo Valve Subplates
 Tapping Plates
 Cartridge Valve Cavity Bodies
 Header and Junction Blocks
 Sandwich Modules
 Technical Information

Common Cavity Bodies - Aluminum & Ductile Iron



This hole and one of the other two will always be present. See chart for locations. See mtg hardware page for diameter.

Mounting hardware for common cavity bodies (Aluminum or Ductile) is available on page 197.16.

Specifications, descriptions, and dimensional data are subject to correction or change without notice or incurring obligation. Download latest catalog page revisions at www.daman.com.

Ordering Information

For **coating options** see pages 245-246.

Material	Common Cavity Size	Product Type	Port Size	Port Threads
----------	--------------------	--------------	-----------	--------------

For common cavity bodies with gauge port options, see pp. 197.13-197.14.

Material	
A	Aluminum - 6061-T6 3000† psi • 20.7 MPa
D	Ductile Iron - D4512 5000† psi • 34.5 MPa

† Working pressure should be considered in accordance with ISO 4413 to determine appropriate material type.

Common Cavity Size	
C082	C-08-2
C083	C-08-3
C102	C-10-2
C103	C-10-3
C162	C-16-2
C163	C-16-3

Product Type	
CB	Cavity Bodies

Size of Port 1 & 2	
4	1/4 inch (-4) Hose/Fitting size (M) port threads = M10 x 1.0
6	3/8 inch (-6) Hose/Fitting size (M) port threads = M14 x 1.5
8	1/2 inch (-8) Hose/Fitting size (M) port threads = M18 x 1.5
10*	5/8 inch (-10) Hose/Fitting size (M) port threads = M22 x 2.0
12	3/4 inch (-12) Hose/Fitting size (M) port threads = M27 x 2.0
16	1 inch (-16) Hose/Fitting size (M) port threads = M33 x 2.0

Port Threads	
P	NPTF ANSI B1.20.3
S	SAE ISO 11926; SAE 1926
B	BSPP ISO 1179
M	ISO ISO 6149
T	BSPT ISO 7

*10 size only available with SAE (S) or Metric (M).
Consult chart for port size availability with each cavity size, and for additional port sizes.



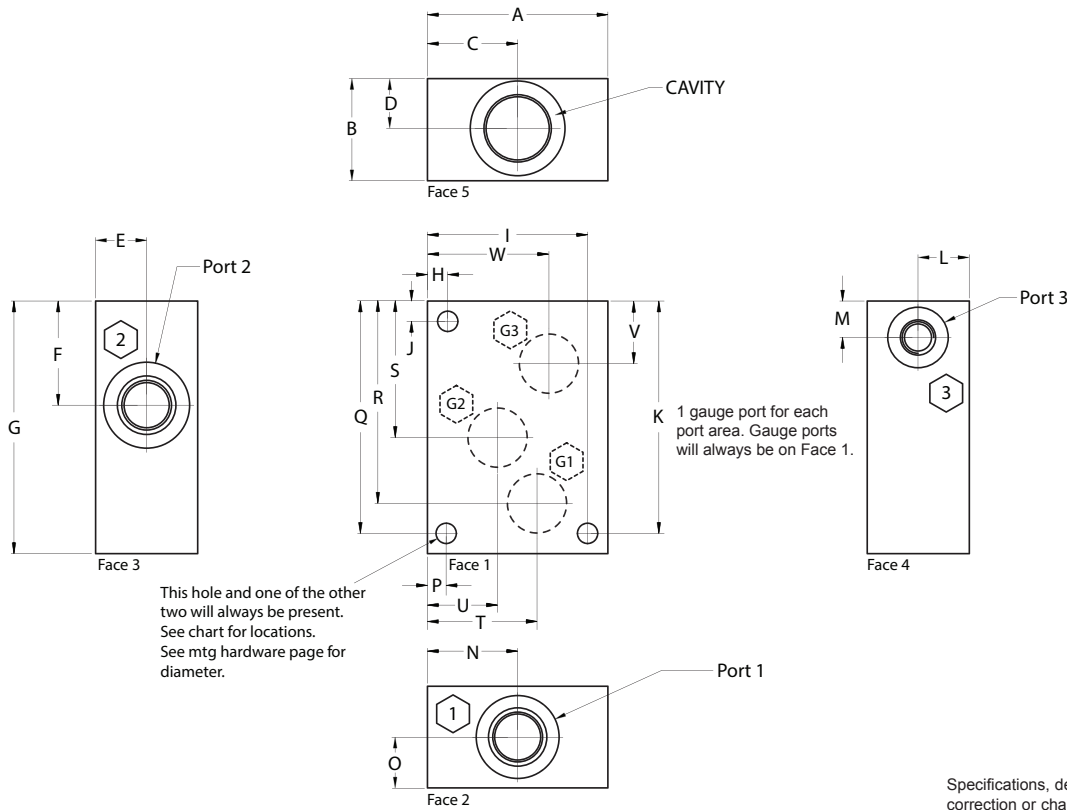
Common Cavity Bodies - Aluminum & Ductile Iron

Part Number	A	B	C	D	E	F	G	H	I	J	K	L	M	N	O	P	Q	Port 1	Port 2	Port 3	Port 4
C082CB4	2.25	1.50	1.13	0.75	0.75	0.58	2.00	-	1.97	-	1.72	-	-	1.13	0.75	0.28	1.72	1/4	1/4	-	-
C082CB6	2.50	1.50	1.25	0.75	0.75	0.58	2.00	-	2.22	-	1.72	-	-	1.25	0.75	0.28	1.72	3/8	3/8	-	-
C082CB8	3.00	1.50	1.50	0.75	0.75	0.62	2.25	-	2.72	-	1.97	-	-	1.50	0.75	0.28	1.97	1/2	1/2	-	-
*C082CB10(S,M)	3.00	1.50	1.75	0.75	0.75	0.70	2.50	-	2.72	-	2.22	-	-	1.75	0.75	0.28	2.22	-10/M22	-10/M22	-	-
C082CB12	3.13	2.00	1.75	1.00	1.00	0.82	2.50	-	2.84	-	2.22	-	-	1.75	1.00	0.28	2.22	3/4	3/4	-	-
C082CB16	3.50	2.00	1.75	1.00	1.00	0.97	2.75	-	3.22	-	2.47	-	-	1.75	1.00	0.28	2.47	1	1	-	-
C083CB4	2.50	1.50	1.25	0.75	0.75	1.14	2.75	-	2.22	-	2.47	0.75	0.58	1.25	0.75	0.28	2.47	1/4	1/4	1/4	-
C083CB6	3.00	1.50	1.50	0.75	0.75	1.14	2.75	-	2.72	-	2.47	0.75	0.58	1.50	0.75	0.28	2.47	3/8	3/8	3/8	-
C083CB8	3.00	1.50	1.50	0.75	0.75	1.14	3.00	-	2.72	-	2.72	0.75	0.58	1.50	0.75	0.28	2.72	1/2	1/2	1/4	-
*C083CB10(S,M)	3.00	1.50	1.50	0.75	0.75	1.14	3.00	-	2.72	-	2.72	0.75	0.58	1.50	0.75	0.28	2.72	-10/M22	-10/M22	-6/M10	-
C083CB12	3.00	2.00	1.63	1.00	1.00	1.14	3.00	-	2.72	-	2.72	1.00	0.58	1.63	1.00	0.28	2.72	3/4	3/4	1/4	-
C083CB16	3.50	2.00	1.75	1.00	1.00	1.14	3.25	-	3.22	-	2.97	1.00	0.58	1.75	1.00	0.28	2.97	1	1	1/4	-
C102CB4	2.38	1.50	1.38	0.75	0.75	0.73	2.50	-	2.09	-	2.22	-	-	1.38	0.75	0.28	2.22	1/4	1/4	-	-
C102CB6	2.50	1.50	1.38	0.75	0.75	0.73	2.50	-	2.22	-	2.22	-	-	1.38	0.75	0.28	2.22	3/8	3/8	-	-
C102CB8	2.75	1.50	1.50	0.75	0.75	0.73	2.50	-	2.47	-	2.22	-	-	1.50	0.75	0.28	2.22	1/2	1/2	-	-
*C102CB10(S,M)	3.00	1.50	1.63	0.75	0.75	0.82	3.00	-	2.72	-	2.72	-	-	1.63	0.75	0.28	2.72	-10/M22	-10/M22	-	-
C102CB12	3.00	2.00	1.75	1.00	1.00	0.84	3.00	-	2.72	-	2.72	-	-	1.75	1.00	0.28	2.72	3/4	3/4	-	-
C102CB16	3.50	2.00	2.00	1.00	1.00	1.00	3.00	-	3.22	-	2.72	-	-	2.00	1.00	0.28	2.72	1	1	-	-
C103CB4	2.50	1.50	1.25	0.75	0.75	1.37	3.00	-	2.22	-	2.72	0.75	0.75	1.25	0.75	0.28	2.72	1/4	1/4	1/4	-
C103CB6	3.00	1.50	1.50	0.75	0.75	1.37	3.00	-	2.72	-	2.72	0.75	0.75	1.50	0.75	0.28	2.72	3/8	3/8	1/4	-
C103CB8	3.00	1.50	1.50	0.75	0.75	1.37	3.25	-	2.72	-	2.97	0.75	0.75	1.50	0.75	0.28	2.97	1/2	1/2	1/4	-
*C103CB10(S,M)	3.50	1.50	1.75	0.75	0.75	1.37	3.25	-	3.22	-	2.97	0.75	0.75	1.75	0.75	0.28	2.97	-10/M22	-10/M22	-6/M10	-
C103CB12	3.50	2.00	1.75	1.00	1.00	1.37	3.25	-	3.22	-	2.97	1.00	0.75	1.75	1.00	0.28	2.97	3/4	3/4	1/4	-
C103CB16	3.50	2.00	2.00	1.00	1.00	1.37	3.50	-	3.22	-	3.22	1.00	0.75	2.00	1.00	0.28	3.22	1	1	1/4	-
C162CB4	3.00	2.00	1.50	1.00	1.00	1.00	3.00	-	2.66	-	2.66	-	-	1.50	1.00	0.34	2.66	1/4	1/4	-	-
C162CB6	3.00	2.00	1.50	1.00	1.00	1.00	3.00	-	2.66	-	2.66	-	-	1.50	1.00	0.34	2.66	3/8	3/8	-	-
C162CB8	3.25	2.00	1.75	1.00	1.00	1.00	3.00	-	2.91	-	2.66	-	-	1.75	1.00	0.34	2.66	1/2	1/2	-	-
*C162CB10(S,M)	3.25	2.00	1.75	1.00	1.00	1.00	3.00	-	2.91	-	2.66	-	-	1.75	1.00	0.34	2.66	-10/M22	-10/M22	-	-
C162CB12	3.25	2.00	1.75	1.00	1.00	1.00	3.00	-	2.91	-	2.66	-	-	1.75	1.00	0.34	2.66	3/4	3/4	-	-
C162CB16	3.50	2.00	2.00	1.00	1.00	1.00	3.50	-	3.16	-	3.16	-	-	2.00	1.00	0.34	3.16	1	1	-	-
C163CB4	3.00	2.00	1.50	1.00	1.00	2.12	4.00	-	2.66	-	3.66	1.00	1.00	1.50	1.00	0.34	3.66	1/4	1/4	1/4	-
C163CB6	3.00	2.00	1.50	1.00	1.00	2.12	4.25	-	2.66	-	3.91	1.00	1.00	1.50	1.00	0.34	3.91	3/8	3/8	3/8	-
C163CB8	3.00	2.00	1.50	1.00	1.00	2.12	4.25	-	2.66	-	3.91	1.00	1.00	1.50	1.00	0.34	3.91	1/2	1/2	1/2	-
*C163CB10(S,M)	3.00	2.00	1.50	1.00	1.00	2.12	4.50	-	2.66	-	4.16	1.00	1.00	1.50	1.00	0.34	4.16	-10/M22	-10/M22	-8/M18	-
C163CB12	3.50	2.00	1.75	1.00	1.00	2.12	4.50	-	3.16	-	4.16	1.00	1.00	1.75	1.00	0.34	4.16	3/4	3/4	1/2	-
C163CB16	3.50	2.00	1.88	1.00	1.00	2.12	4.50	-	3.16	-	4.16	1.00	1.00	1.88	1.00	0.34	4.16	1	1	1/2	-

Specifications, descriptions, and dimensional data are subject to correction or change without notice or incurring obligation. Download latest catalog page revisions at www.daman.com.

Standard Manifolds
 Cover Plates
 Valve Adaptors
 Subplates
 Servo Valve Subplates
 Tapping Plates
 Cartridge Valve Cavity Bodies
 Header and Junction Blocks
 Sandwich Modules
 Technical Information

Common Cavity Bodies w/Gauge Ports - Al & Du Iron



This hole and one of the other two will always be present. See chart for locations. See mtg hardware page for diameter.

Mounting hardware for common cavity bodies (Aluminum or Ductile) is available on page 197.16.

Specifications, descriptions, and dimensional data are subject to correction or change without notice or incurring obligation. Download latest catalog page revisions at www.daman.com.

Ordering Information

For **coating options** see pages 245-246.

Material	Common Cavity Size	Product Type	Port Size	Port Threads	/	G
----------	--------------------	--------------	-----------	--------------	---	---

Material	
A	Aluminum - 6061-T6 3000† psi • 20.7 MPa
D	Ductile Iron - D4512 5000† psi • 34.5 MPa
† Working pressure should be considered in accordance with ISO 4413 to determine appropriate material type.	

Common Cavity Size	
C082	C-08-2
C083	C-08-3
C102	C-10-2
C103	C-10-3
C162	C-16-2
C163	C-16-3

Size of Port 1 & 2	
4	1/4 inch (-4) Hose/Fitting size (M) port threads = M10 x 1.0
6	3/8 inch (-6) Hose/Fitting size (M) port threads = M14 x 1.5
8	1/2 inch (-8) Hose/Fitting size (M) port threads = M18 x 1.5
10*	5/8 inch (-10) Hose/Fitting size (M) port threads = M22 x 2.0
12	3/4 inch (-12) Hose/Fitting size (M) port threads = M27 x 2.0
16	1 inch (-16) Hose/Fitting size (M) port threads = M33 x 2.0

Port Threads	
P	NPTF ANSI B1.20.3
S	SAE ISO 11926; SAE 1926
B	BSPP ISO 1179
M	ISO ISO 6149
T	BSPT ISO 7

Gauge Port	
G	Gauge Port
0.250 NPTF (P option) 0.250 BSPP (B option) 0.250 BSPT (T option) M10 x 1.0 (M option) -6 SAE (S option)	
Port "style" of gauge port is determined by selection of "port threads".	

Product Type	
CB	Cavity Bodies

*10 size only available with SAE (S) or Metric (M).
Consult chart for port size availability with each cavity size, and for additional port sizes.



Common Cavity Bodies w/Gauge Ports - Al & Du Iron

Part Number	A	B	C	D	E	F	G	H	I	J	K	L	M	N	O	P	Q	R	S	T	U	V	W	Port 1	Port 2	Port 3	Port 4
C082CB4/G	2.25	2.00	1.13	0.75	0.75	0.58	2.00	-	1.97	-	1.72	-	-	1.13	0.75	0.28	1.72	1.48	0.58	0.94	1.46	-	-	1/4	1/4	-	-
C082CB6/G	2.50	2.00	1.25	0.75	0.75	0.58	2.00	-	2.22	-	1.72	-	-	1.25	0.75	0.28	1.72	1.42	0.58	1.00	1.59	-	-	3/8	3/8	-	-
C082CB8/G	3.00	2.00	1.50	0.75	0.75	0.62	2.25	-	2.72	-	1.97	-	-	1.50	0.75	0.28	1.97	1.55	0.58	1.19	1.84	-	-	1/2	1/2	-	-
*C082CB10(S,M)/G	3.00	2.00	1.75	0.75	0.75	0.70	2.50	-	2.72	-	2.22	-	-	1.75	0.75	0.28	2.22	1.65	0.58	1.42	2.08	-	-	-10/M22	-10/M22	-	-
C082CB12/G	3.13	2.50	1.75	1.00	1.00	0.82	2.50	-	2.84	-	2.22	-	-	1.75	1.00	0.28	2.22	1.62	0.58	1.32	2.08	-	-	3/4	3/4	-	-
C082CB16/G	3.50	2.50	1.75	1.00	1.00	0.97	2.75	-	3.22	-	2.47	-	-	1.75	1.00	0.28	2.47	1.59	0.58	1.53	2.09	-	-	1	1	-	-
C083CB4/G	2.50	2.00	1.25	0.75	0.75	1.14	2.75	-	2.22	-	2.47	0.75	0.58	1.25	0.75	0.28	2.47	2.11	1.14	1.08	0.72	0.58	1.76	1/4	1/4	1/4	-
C083CB6/G	3.00	2.00	1.50	0.75	0.75	1.14	2.75	-	2.72	-	2.47	0.75	0.58	1.50	0.75	0.28	2.47	2.07	1.14	1.28	0.76	0.58	2.24	3/8	3/8	3/8	-
C083CB8/G	3.00	2.00	1.50	0.75	0.75	1.14	3.00	-	2.72	-	2.72	0.75	0.58	1.50	0.75	0.28	2.72	2.16	1.14	1.28	0.88	0.58	2.24	1/2	1/2	1/4	-
*C083CB10(S,M)/G	3.00	2.00	1.50	0.75	0.75	1.14	3.00	-	2.72	-	2.72	0.75	0.58	1.50	0.75	0.28	2.72	2.16	1.14	1.16	0.92	0.58	2.06	-10/M22	-10/M22	-6/M10	-
C083CB12/G	3.00	2.50	1.63	1.00	1.00	1.14	3.00	-	2.72	-	2.72	1.00	0.58	1.63	1.00	0.28	2.72	2.08	0.98	1.28	0.92	0.58	2.24	3/4	3/4	1/4	-
C083CB16/G	3.50	2.50	1.75	1.00	1.00	1.14	3.25	-	3.22	-	2.97	1.00	0.58	1.75	1.00	0.28	2.97	2.29	1.14	1.32	1.08	0.58	2.68	1	1	1/4	-
C102CB4/G	2.38	2.00	1.38	0.75	0.75	0.73	2.50	-	2.09	-	2.22	-	-	1.38	0.75	0.28	2.22	1.78	0.73	1.20	1.78	-	-	1/4	1/4	-	-
C102CB6/G	2.50	2.00	1.38	0.75	0.75	0.73	2.50	-	2.22	-	2.22	-	-	1.38	0.75	0.28	2.22	1.78	0.73	1.16	1.76	-	-	3/8	3/8	-	-
C102CB8/G	2.75	2.00	1.50	0.75	0.75	0.73	2.50	-	2.47	-	2.22	-	-	1.50	0.75	0.28	2.22	1.70	0.73	1.22	1.88	-	-	1/2	1/2	-	-
*C102CB10(S,M)/G	3.00	2.00	1.63	0.75	0.75	0.82	3.00	-	2.72	-	2.72	-	-	1.63	0.75	0.28	2.72	2.04	0.73	1.28	2.00	-	-	-10/M22	-10/M22	-	-
C102CB12/G	3.00	2.50	1.75	1.00	1.00	0.84	3.00	-	2.72	-	2.72	-	-	1.75	1.00	0.28	2.72	2.08	0.73	1.32	2.14	-	-	3/4	3/4	-	-
C102CB16/G	3.50	2.50	2.00	1.00	1.00	1.00	3.00	-	3.22	-	2.72	-	-	2.00	1.00	0.28	2.72	2.00	0.73	1.52	2.40	-	-	1	1	-	-
C103CB4/G	2.50	2.00	1.25	0.75	0.75	1.37	3.00	-	2.22	-	2.72	0.75	0.75	1.25	0.75	0.28	2.72	2.36	1.37	1.07	0.71	0.75	1.66	1/4	1/4	1/4	-
C103CB6/G	3.00	2.00	1.50	0.75	0.75	1.37	3.00	-	2.72	-	2.72	0.75	0.75	1.50	0.75	0.28	2.72	2.32	1.37	1.26	0.84	0.75	2.28	3/8	3/8	1/4	-
C103CB8/G	3.00	2.00	1.50	0.75	0.75	1.37	3.25	-	2.72	-	2.97	0.75	0.75	1.50	0.75	0.28	2.97	2.45	1.37	1.19	0.96	0.75	2.24	1/2	1/2	1/4	-
*C103CB10(S,M)/G	3.50	2.00	1.75	0.75	0.75	1.37	3.25	-	3.22	-	2.97	0.75	0.75	1.75	0.75	0.28	2.97	2.43	1.37	1.40	1.40	0.75	2.48	-10/M22	-10/M22	-6/M10	-
C103CB12/G	3.50	2.50	1.75	1.00	1.00	1.37	3.25	-	3.22	-	2.97	1.00	0.75	1.75	1.00	0.28	2.97	2.33	1.37	1.46	0.92	0.75	2.60	3/4	3/4	1/4	-
C103CB16/G	3.50	2.50	2.00	1.00	1.00	1.37	3.50	-	3.22	-	3.22	1.00	0.75	2.00	1.00	0.28	3.22	2.58	1.37	1.44	1.44	0.75	2.68	1	1	1/4	-
C162CB4/G	3.00	2.50	1.50	1.00	1.00	1.00	3.00	-	2.66	-	2.66	-	-	1.50	1.00	0.34	2.66	2.33	1.00	1.31	2.12	-	-	1/4	1/4	-	-
C162CB6/G	3.00	2.50	1.50	1.00	1.00	1.00	3.00	-	2.66	-	2.66	-	-	1.50	1.00	0.34	2.66	2.28	1.00	1.26	2.12	-	-	3/8	3/8	-	-
C162CB8/G	3.25	2.50	1.75	1.00	1.00	1.00	3.00	-	2.91	-	2.66	-	-	1.75	1.00	0.34	2.66	2.28	1.00	1.42	2.36	-	-	1/2	1/2	-	-
*C162CB10(S,M)/G	3.25	2.50	1.75	1.00	1.00	1.00	3.00	-	2.91	-	2.66	-	-	1.75	1.00	0.34	2.66	2.32	1.00	1.36	2.36	-	-	-10/M22	-10/M22	-	-
C162CB12/G	3.25	2.50	1.75	1.00	1.00	1.00	3.00	-	2.91	-	2.66	-	-	1.75	1.00	0.34	2.66	2.30	1.12	1.30	2.37	-	-	3/4	3/4	-	-
C162CB16/G	3.50	2.50	2.00	1.00	1.00	1.00	3.50	-	3.16	-	3.16	-	-	2.00	1.00	0.34	3.16	2.42	1.12	1.44	2.60	-	-	1	1	-	-
C163CB4/G	3.00	2.50	1.50	1.00	1.00	2.12	4.00	-	2.66	-	3.66	1.00	1.00	1.50	1.00	0.34	3.66	3.36	2.12	1.32	0.94	1.00	2.12	1/4	1/4	1/4	-
C163CB6/G	3.00	2.50	1.50	1.00	1.00	2.12	4.25	-	2.66	-	3.91	1.00	1.00	1.50	1.00	0.34	3.91	3.41	2.12	1.26	0.94	1.00	2.12	3/8	3/8	3/8	-
C163CB8/G	3.00	2.50	1.50	1.00	1.00	2.12	4.25	-	2.66	-	3.91	1.00	1.00	1.50	1.00	0.34	3.91	3.45	2.12	1.19	0.94	1.00	2.12	1/2	1/2	1/2	-
*C163CB10(S,M)/G	3.00	2.50	1.50	1.00	1.00	2.12	4.50	-	2.66	-	4.16	1.00	1.00	1.50	1.00	0.34	4.16	3.46	2.12	1.16	0.94	1.00	2.12	-10/M22	-10/M22	-8/M18	-
C163CB12/G	3.50	2.50	1.75	1.00	1.00	2.12	4.50	-	3.16	-	4.16	1.00	1.00	1.75	1.00	0.34	4.16	3.50	2.12	1.34	1.18	1.00	2.36	3/4	3/4	1/2	-
C163CB16/G	3.50	2.50	1.88	1.00	1.00	2.12	4.50	-	3.16	-	4.16	1.00	1.00	1.88	1.00	0.34	4.16	3.54	2.12	1.31	1.31	1.00	2.50	1	1	1/2	-

Specifications, descriptions, and dimensional data are subject to correction or change without notice or incurring obligation. Download latest catalog page revisions at www.daman.com.

Standard Manifolds
 Cover Plates
 Valve Adaptors
 Subplates
 Servo Valve Subplates
 Tapping Plates
 Cartridge Valve Cavity Bodies
 Header and Junction Blocks
 Sandwich Modules
 Technical Information

Sun Cavity Bodies Mounting Hardware			Sun Cavity Bodies Mounting Hardware (Gauge Ports)		
Part Number	Mounting Bolts	Mtg Hole Dia	Part Number	Mounting Bolts	Mtg Hole Dia
*T2ACB [4,6,8] [P,S]	[P,S] - UNC 0.250-20 x 2.00 long	0.281	*T2ACB [4,6,8] [P,S] /G	[P,S] - UNC 0.250-20 x 2.50 long	0.281
*T2ACB [4,6,8] [B,M,T]	[B,M,T] - ISO M6 x 45mm long	0.265	*T2ACB [4,6,8] [B,M,T] /G	[B,M,T] - ISO M6 x 60mm long	0.265
*T2ACB [12] [P,S]	[P,S] - UNC 0.250-20 x 2.50 long	0.281	*T2ACB [12] [P,S] /G	[P,S] - UNC 0.250-20 x 2.75 long	0.281
*T2ACB [12] [B,M,T]	[B,M,T] - ISO M6 x 60mm long	0.265	*T2ACB [12] [B,M,T] /G	[B,M,T] - ISO M6 x 70mm long	0.265
*T3ACB [4,6,8] [P,S]	[P,S] - UNC 10-24 x 1.75 long	0.219	*T3ACB [4,6,8] [P,S] /G	[P,S] - UNC 10-24 x 2.25 long	0.219
*T3ACB [4,6,8] [B,M,T]	[B,M,T] - ISO M5 x 45mm long	0.219	*T3ACB [4,6,8] [B,M,T] /G	[B,M,T] - ISO M5 x 60mm long	0.219
*T3ACB [12] [P,S]	[P,S] - UNC 10-24 x 2.00 long	0.219	*T3ACB [12] [P,S] /G	[P,S] - UNC 10-24 x 2.50 long	0.219
*T3ACB [12] [B,M,T]	[B,M,T] - ISO M5 x 50mm long	0.219	*T3ACB [12] [B,M,T] /G	[B,M,T] - ISO M5 x 70mm long	0.219
*T5ACB [4,6,8] [P,S]	[P,S] - UNC 10-24 x 1.75 long	0.219	*T5ACB [4,6,8] [P,S] /G	[P,S] - UNC 10-24 x 2.25 long	0.219
*T5ACB [4,6,8] [B,M,T]	[B,M,T] - ISO M5 x 45mm long	0.219	*T5ACB [4,6,8] [B,M,T] /G	[B,M,T] - ISO M5 x 60mm long	0.219
*T5ACB [12] [P,S]	[P,S] - UNC 10-24 x 2.00 long	0.219	*T5ACB [12] [P,S] /G	[P,S] - UNC 10-24 x 2.50 long	0.219
*T5ACB [12] [B,M,T]	[B,M,T] - ISO M5 x 50mm long	0.219	*T5ACB [12] [B,M,T] /G	[B,M,T] - ISO M5 x 70mm long	0.219
*T8ACB [4,6] [P,S]	[P,S] - UNC 10-24 x 1.75 long	0.219	*T8ACB [4,6] [P,S] /G	[P,S] - UNC 10-24 x 2.25 long	0.219
*T8ACB [4,6] [B,M,T]	[B,M,T] - ISO M5 x 45mm long	0.219	*T8ACB [4,6] [B,M,T] /G	[B,M,T] - ISO M5 x 60mm long	0.219
*T9ACB [4,6] [P,S]	[P,S] - UNC 10-24 x 1.75 long	0.219	*T9ACB [4,6] [P,S] /G	[P,S] - UNC 10-24 x 2.00 long	0.219
*T9ACB [4,6] [B,M,T]	[B,M,T] - ISO M5 x 45mm long	0.219	*T9ACB [4,6] [B,M,T] /G	[B,M,T] - ISO M5 x 50mm long	0.219
*T10ACB [4,6] [P,S]	[P,S] - UNC 10-24 x 1.50 long	0.219	*T10ACB [4,6,8,12] [P,S] /G	[P,S] - UNC 10-24 x 2.25 long	0.219
*T10ACB [4,6] [B,M,T]	[B,M,T] - ISO M5 x 40mm long	0.219	*T10ACB [4,6,8,12] [B,M,T] /G	[B,M,T] - ISO M5 x 60mm long	0.219
*T10ACB [8,12] [P,S]	[P,S] - UNC 10-24 x 2.00 long	0.219	*T11ACB [4,6,8] [P,S] /G	[P,S] - UNC 10-24 x 2.00 long	0.219
*T10ACB [8,12] [B,M,T]	[B,M,T] - ISO M5 x 50mm long	0.219	*T11ACB [4,6,8] [B,M,T] /G	[B,M,T] - ISO M5 x 50mm long	0.219
*T11ACB [4,6,8] [P,S]	[P,S] - UNC 10-24 x 1.50 long	0.219	*T13ACB [4,6] [P,S] /G	[P,S] - UNC 10-24 x 2.00 long	0.219
*T11ACB [4,6,8] [B,M,T]	[B,M,T] - ISO M5 x 40mm long	0.219	*T13ACB [4,6] [B,M,T] /G	[B,M,T] - ISO M5 x 50mm long	0.219
*T13ACB [4,6] [P,S]	[P,S] - UNC 10-24 x 1.50 long	0.219	*T13ACB [8,12] [P,S] /G	[P,S] - UNC 10-24 x 2.25 long	0.219
*T13ACB [4,6] [B,M,T]	[B,M,T] - ISO M5 x 40mm long	0.219	*T13ACB [8,12] [B,M,T] /G	[B,M,T] - ISO M5 x 60mm long	0.219
*T13ACB [8,12] [P,S]	[P,S] - UNC 10-24 x 2.00 long	0.219	*T16ACB [12,16,20] [P,S] /G	[P,S] - UNC 0.250-20 x 3.00 long	0.219
*T13ACB [8,12] [B,M,T]	[B,M,T] - ISO M5 x 50mm long	0.219	*T16ACB [12,16,20] [B,M,T] /G	[B,M,T] - ISO M6 x 70mm long	0.219
*T16ACB [12,16,20] [P,S]	[P,S] - UNC 0.250-20 x 3.00 long	0.281	*T17ACB [12,16,20] [P,S] /G	[P,S] - UNC 0.250-20 x 3.00 long	0.281
*T16ACB [12,16,20] [B,M,T]	[B,M,T] - ISO M6 x 70mm long	0.265	*T17ACB [12,16,20] [B,M,T] /G	[B,M,T] - ISO M6 x 70mm long	0.265
*T17ACB [12,16,20] [P,S]	[P,S] - UNC 0.250-20 x 3.00 long	0.281	*T18ACB [12,16,20] [P,S] /G	[P,S] - UNC 0.312-18 x 3.50 long	0.281
*T17ACB [12,16,20] [B,M,T]	[B,M,T] - ISO M6 x 70mm long	0.265	*T18ACB [12,16,20] [B,M,T] /G	[B,M,T] - ISO M8 x 90mm long	0.265
*T18ACB [12,16,20] [P,S]	[P,S] - UNC 0.312-18 x 3.00 long	0.344	*T19ACB [16,20] [P,S] /G	[P,S] - UNC 0.312-18 x 3.50 long	0.344
*T18ACB [12,16,20] [B,M,T]	[B,M,T] - ISO M8 x 80mm long	0.344	*T19ACB [16,20] [B,M,T] /G	[B,M,T] - ISO M8 x 90mm long	0.344
*T19ACB [16,20] [P,S]	[P,S] - UNC 0.312-18 x 3.50 long	0.344	*T21ACB [4,6,8] [P,S] /G	[P,S] - UNC 10-24 x 2.25 long	0.344
*T19ACB [16,20] [B,M,T]	[B,M,T] - ISO M8 x 90mm long	0.344	*T21ACB [4,6,8] [B,M,T] /G	[B,M,T] - ISO M5 x 60mm long	0.344
*T21ACB [4,6,8] [P,S]	[P,S] - UNC 10-24 x 1.50 long	0.219	*T22ACB [6,8,12] [P,S] /G	[P,S] - UNC 0.250-20 x 2.75 long	0.219
*T21ACB [4,6,8] [B,M,T]	[B,M,T] - ISO M5 x 40mm long	0.219	*T22ACB [6,8,12] [B,M,T] /G	[B,M,T] - ISO M6 x 70mm long	0.219
*T22ACB [6,8,12] [P,S]	[P,S] - UNC 0.250-20 x 2.50 long	0.281	*T23ACB [12,16,20] [P,S] /G	[P,S] - UNC 0.250-20 x 3.00 long	0.281
*T22ACB [6,8,12] [B,M,T]	[B,M,T] - ISO M6 x 60mm long	0.265	*T23ACB [12,16,20] [B,M,T] /G	[B,M,T] - ISO M6 x 70mm long	0.265
*T23ACB [12,16,20] [P,S]	[P,S] - UNC 0.250-20 x 3.00 long	0.281	*T24ACB [16,20] [P,S] /G	[P,S] - UNC 0.312-18 x 3.50 long	0.281
*T23ACB [12,16,20] [B,M,T]	[B,M,T] - ISO M6 x 70mm long	0.265	*T24ACB [16,20] [B,M,T] /G	[B,M,T] - ISO M8 x 90mm long	0.265
*T24ACB [16,20] [P,S]	[P,S] - UNC 0.312-18 x 3.50 long	0.344	*T31ACB [4,6,8] [P,S] /G	[P,S] - UNC 10-24 x 2.50 long	0.344
*T24ACB [16,20] [B,M,T]	[B,M,T] - ISO M8 x 90mm long	0.344	*T31ACB [4,6,8] [B,M,T] /G	[B,M,T] - ISO M5 x 70mm long	0.344
*T31ACB [4,6,8] [P,S]	[P,S] - UNC 10-24 x 1.50 long	0.219	*T32ACB [6,8,12] [P,S] /G	[P,S] - UNC 0.250-20 x 2.50 long	0.219
*T31ACB [4,6,8] [B,M,T]	[B,M,T] - ISO M5 x 40mm long	0.219	*T32ACB [6,8,12] [B,M,T] /G	[B,M,T] - ISO M6 x 60mm long	0.219
*T32ACB [6,8,12] [P,S]	[P,S] - UNC 0.250-20 x 2.50 long	0.281	*T33ACB [12,16] [P,S] /G	[P,S] - UNC 0.312-18 x 2.75 long	0.281
*T32ACB [6,8,12] [B,M,T]	[B,M,T] - ISO M6 x 60mm long	0.265	*T33ACB [12,16] [B,M,T] /G	[B,M,T] - ISO M8 x 70mm long	0.265
*T33ACB [12,16] [P,S]	[P,S] - UNC 0.312-18 x 2.75 long	0.344	*T33ACB [20] [P,S] /G	[P,S] - UNC 0.312-18 x 3.50 long	0.344
*T33ACB [12,16] [B,M,T]	[B,M,T] - ISO M8 x 70mm long	0.344	*T33ACB [20] [B,M,T] /G	[B,M,T] - ISO M8 x 90mm long	0.344
*T33ACB [20] [P,S]	[P,S] - UNC 0.312-18 x 3.50 long	0.344	*T52ACB [6,8,12] [P,S] /G	[P,S] - UNC 0.250-20 x 2.75 long	0.344
*T33ACB [20] [B,M,T]	[B,M,T] - ISO M8 x 90mm long	0.344	*T52ACB [6,8,12] [B,M,T] /G	[B,M,T] - ISO M6 x 70mm long	0.344
*T52ACB [6,8,12] [P,S]	[P,S] - UNC 0.250-20 x 2.50 long	0.281	*T53ACB [12,16] [P,S] /G	[P,S] - UNC 0.312-18 x 3.50 long	0.281
*T52ACB [6,8,12] [B,M,T]	[B,M,T] - ISO M6 x 60mm long	0.265	*T53ACB [12,16] [B,M,T] /G	[B,M,T] - ISO M8 x 90mm long	0.265
*T53ACB [12,16] [P,S]	[P,S] - UNC 0.312-18 x 3.50 long	0.344	*T54ACB [20] [P,S] /G	[P,S] - UNC 0.312-18 x 4.50 long	0.344
*T53ACB [12,16] [B,M,T]	[B,M,T] - ISO M8 x 90mm long	0.344	*T54ACB [20] [B,M,T] /G	[B,M,T] - ISO M8 x 120mm long	0.344
*T54ACB [20] [P,S]	[P,S] - UNC 0.312-18 x 4.50 long	0.344	*T61ACB [4,6,8] [P,S] /G	[P,S] - UNC 10-24 x 2.50 long	0.344
*T54ACB [20] [B,M,T]	[B,M,T] - ISO M8 x 120mm long	0.344	*T61ACB [4,6,8] [B,M,T] /G	[B,M,T] - ISO M5 x 70mm long	0.344
*T61ACB [4,6,8] [P,S]	[P,S] - UNC 10-24 x 1.50 long	0.219	*T62ACB [6,8,12] [P,S] /G	[P,S] - UNC 0.250-20 x 2.75 long	0.219
*T61ACB [4,6,8] [B,M,T]	[B,M,T] - ISO M5 x 40mm long	0.219	*T62ACB [6,8,12] [B,M,T] /G	[B,M,T] - ISO M6 x 70mm long	0.219
*T62ACB [6,8,12] [P,S]	[P,S] - UNC 0.250-20 x 2.50 long	0.281	*T63ACB [12,16] [P,S] /G	[P,S] - UNC 0.312-18 x 2.75 long	0.281
*T62ACB [6,8,12] [B,M,T]	[B,M,T] - ISO M6 x 60mm long	0.265	*T63ACB [12,16] [B,M,T] /G	[B,M,T] - ISO M8 x 70mm long	0.265
*T63ACB [12,16] [P,S]	[P,S] - UNC 0.312-18 x 2.75 long	0.344	*T63ACB [20] [P,S] /G	[P,S] - UNC 0.312-18 x 3.50 long	0.344
*T63ACB [12,16] [B,M,T]	[B,M,T] - ISO M8 x 70mm long	0.344	*T63ACB [20] [B,M,T] /G	[B,M,T] - ISO M8 x 90mm long	0.344
*T63ACB [20] [P,S]	[P,S] - UNC 0.312-18 x 4.50 long	0.344	*T64ACB [16,20] [P,S] /G	[P,S] - UNC 0.312-18 x 3.50 long	0.344
*T63ACB [20] [B,M,T]	[B,M,T] - ISO M8 x 120mm long	0.344	*T64ACB [16,20] [B,M,T] /G	[B,M,T] - ISO M8 x 90mm long	0.344
*T64ACB [16,20] [P,S]	[P,S] - UNC 0.312-18 x 4.50 long	0.344	*T162ACB [8] [P,S] /G	[P,S] - UNC 10-24 x 2.00 long	0.344
*T64ACB [16,20] [B,M,T]	[B,M,T] - ISO M8 x 120mm long	0.344	*T162ACB [8] [B,M,T] /G	[B,M,T] - ISO M5 x 50mm long	0.344
*T162ACB [4,6,8] [P,S]	[P,S] - UNC 10-24 x 1.50 long	0.219	*T162ACB [4,6] [P,S] /G	[P,S] - UNC 10-24 x 2.25 long	0.219
*T162ACB [4,6,8] [B,M,T]	[B,M,T] - ISO M5 x 40mm long	0.219	*T162ACB [4,6] [B,M,T] /G	[B,M,T] - ISO M5 x 60mm long	0.219
*T163ACB [4,6,8] [P,S]	[P,S] - UNC 10-24 x 1.50 long	0.219	*T163ACB [4,6,8] [P,S] /G	[P,S] - UNC 10-24 x 2.00 long	0.219
*T163ACB [4,6,8] [B,M,T]	[B,M,T] - ISO M5 x 40mm long	0.219	*T163ACB [4,6,8] [B,M,T] /G	[B,M,T] - ISO M5 x 50mm long	0.219

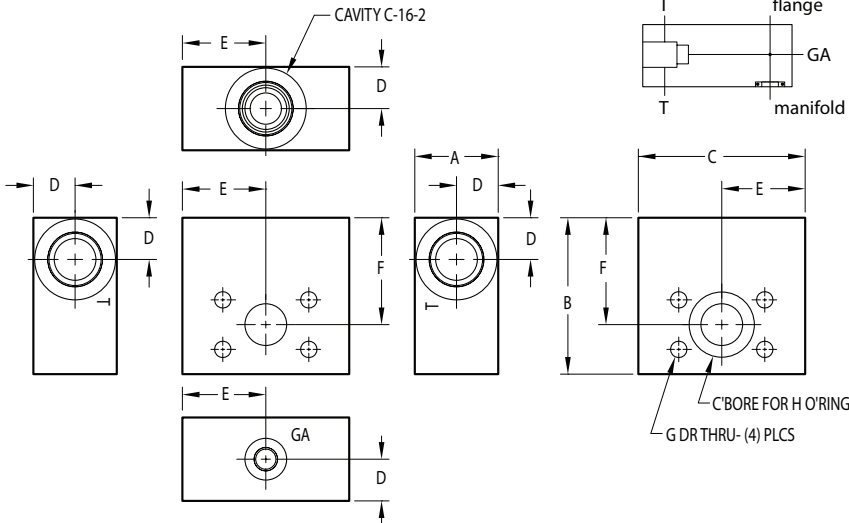
Common Cavity Bodies Mounting Hardware			Common Cavity Bodies Mounting Hardware (Gauge Ports)		
Part Number	Mounting Bolts	Mtg Hole Dia	Part Number (w/gauge port)	Mounting Bolts	Mtg Hole Dia
*C082CB [4,6,8] [P,S]	[P,S] - UNC 0.250-20 x 2.00 long	0.281	*C082CB [4,6,8] [P,S] /G	[P,S] - UNC 0.250-20 x 2.50 long	0.281
*C082CB [4,6,8] [B,M,T]	[B,M,T] - ISO M6 x 50mm long	0.265	*C082CB [4,6,8] [B,M,T] /G	[B,M,T] - ISO M6 x 65mm long	0.265
*C082CB [10] [S]	[S] - UNC 0.250-20 x 2.00 long	0.281	*C082CB [10] [S] /G	[S] - UNC 0.250-20 x 2.50 long	0.281
*C082CB [10] [M]	[M] - ISO M6 x 50mm long	0.265	*C082CB [10] [M] /G	[M] - ISO M6 x 65mm long	0.265
*C082CB [12,16] [P,S]	[P,S] - UNC 0.250-20 x 2.50 long	0.281	*C082CB [12,16] [P,S] /G	[P,S] - UNC 0.250-20 x 3.00 long	0.281
*C082CB [12,16] [B,M,T]	[B,M,T] - ISO M6 x 65mm long	0.265	*C082CB [12,16] [B,M,T] /G	[B,M,T] - ISO M6 x 75mm long	0.265
*C083CB [4,6,8] [P,S]	[P,S] - UNC 0.250-20 x 2.00 long	0.281	*C083CB [4,6,8] [P,S] /G	[P,S] - UNC 0.250-20 x 2.50 long	0.281
*C083CB [4,6,8] [B,M,T]	[B,M,T] - ISO M6 x 50mm long	0.265	*C083CB [4,6,8] [B,M,T] /G	[B,M,T] - ISO M6 x 65mm long	0.265
*C083CB [10] [S]	[S] - UNC 0.250-20 x 2.00 long	0.281	*C083CB [10] [S] /G	[S] - UNC 0.250-20 x 2.50 long	0.281
*C083CB [10] [M]	[M] - ISO M6 x 50mm long	0.265	*C083CB [10] [M] /G	[M] - ISO M6 x 65mm long	0.265
*C083CB [12,16] [P,S]	[P,S] - UNC 0.250-20 x 2.50 long	0.281	*C083CB [12,16] [P,S] /G	[P,S] - UNC 0.250-20 x 3.00 long	0.281
*C083CB [12,16] [B,M,T]	[B,M,T] - ISO M6 x 65mm long	0.265	*C083CB [12,16] [B,M,T] /G	[B,M,T] - ISO M6 x 75mm long	0.265
*C102CB [4,6,8] [P,S]	[P,S] - UNC 0.250-20 x 2.00 long	0.281	*C102CB [4,6,8] [P,S] /G	[P,S] - UNC 0.250-20 x 2.50 long	0.281
*C102CB [4,6,8] [B,M,T]	[B,M,T] - ISO M6 x 50mm long	0.265	*C102CB [4,6,8] [B,M,T] /G	[B,M,T] - ISO M6 x 65mm long	0.265
*C102CB [10] [S]	[S] - UNC 0.250-20 x 2.00 long	0.281	*C102CB [10] [S] /G	[S] - UNC 0.250-20 x 2.50 long	0.281
*C102CB [10] [M]	[M] - ISO M6 x 50mm long	0.265	*C102CB [10] [M] /G	[M] - ISO M6 x 65mm long	0.265
*C102CB [12,16] [P,S]	[P,S] - UNC 0.250-20 x 2.50 long	0.281	*C102CB [12,16] [P,S] /G	[P,S] - UNC 0.250-20 x 3.00 long	0.281
*C102CB [12,16] [B,M,T]	[B,M,T] - ISO M6 x 65mm long	0.265	*C102CB [12,16] [B,M,T] /G	[B,M,T] - ISO M6 x 75mm long	0.265
*C103CB [4,6,8] [P,S]	[P,S] - UNC 0.250-20 x 2.00 long	0.281	*C103CB [4,6,8] [P,S] /G	[P,S] - UNC 0.250-20 x 2.50 long	0.281
*C103CB [4,6,8] [B,M,T]	[B,M,T] - ISO M6 x 50mm long	0.265	*C103CB [4,6,8] [B,M,T] /G	[B,M,T] - ISO M6 x 65mm long	0.265
*C103CB [10] [S]	[S] - UNC 0.250-20 x 2.00 long	0.281	*C103CB [10] [S] /G	[S] - UNC 0.250-20 x 2.50 long	0.281
*C103CB [10] [M]	[M] - ISO M6 x 50mm long	0.265	*C103CB [10] [M] /G	[M] - ISO M6 x 65mm long	0.265
*C103CB [12,16] [P,S]	[P,S] - UNC 0.250-20 x 2.50 long	0.281	*C103CB [12,16] [P,S] /G	[P,S] - UNC 0.250-20 x 3.00 long	0.281
*C103CB [12,16] [B,M,T]	[B,M,T] - ISO M6 x 65mm long	0.265	*C103CB [12,16] [B,M,T] /G	[B,M,T] - ISO M6 x 75mm long	0.265
*C162CB [4,6,8] [P,S]	[P,S] - UNC 0.312-18 x 2.50 long	0.344	*C162CB [4,6,8] [P,S] /G	[P,S] - UNC 0.312-18 x 3.00 long	0.344
*C162CB [4,6,8] [B,M,T]	[B,M,T] - ISO M8 x 65mm long	0.344	*C162CB [4,6,8] [B,M,T] /G	[B,M,T] - ISO M8 x 75mm long	0.344
*C162CB [10] [S]	[S] - UNC 0.312-18 x 2.50 long	0.344	*C162CB [10] [S] /G	[S] - UNC 0.312-18 x 3.00 long	0.344
*C162CB [10] [M]	[M] - ISO M8 x 65mm long	0.344	*C162CB [10] [M] /G	[M] - ISO M8 x 75mm long	0.344
*C162CB [12,16] [P,S]	[P,S] - UNC 0.312-18 x 2.50 long	0.344	*C162CB [12,16] [P,S] /G	[P,S] - UNC 0.312-18 x 3.00 long	0.344
*C162CB [12,16] [B,M,T]	[B,M,T] - ISO M8 x 65mm long	0.344	*C162CB [12,16] [B,M,T] /G	[B,M,T] - ISO M8 x 75mm long	0.344
*C163CB [4,6,8] [P,S]	[P,S] - UNC 0.312-18 x 2.50 long	0.344	*C163CB [4,6,8] [P,S] /G	[P,S] - UNC 0.312-18 x 3.00 long	0.344
*C163CB [4,6,8] [B,M,T]	[B,M,T] - ISO M8 x 65mm long	0.344	*C163CB [4,6,8] [B,M,T] /G	[B,M,T] - ISO M8 x 75mm long	0.344
*C163CB [10] [S]	[S] - UNC 0.312-18 x 2.50 long	0.344	*C163CB [10] [S] /G	[S] - UNC 0.312-18 x 3.00 long	0.344
*C163CB [10] [M]	[M] - ISO M8 x 65mm long	0.344	*C163CB [10] [M] /G	[M] - ISO M8 x 75mm long	0.344
*C163CB [12,16] [P,S]	[P,S] - UNC 0.312-18 x 2.50 long	0.344	*C163CB [12,16] [P,S] /G	[P,S] - UNC 0.312-18 x 3.00 long	0.344
*C163CB [12,16] [B,M,T]	[B,M,T] - ISO M8 x 65mm long	0.344	*C163CB [12,16] [B,M,T] /G	[B,M,T] - ISO M8 x 75mm long	0.344

Flange Mount Bodies

Code 61 Flange Mount Bodies

Flange Mount Body with 2-port Cavity

Flange interface seal is supplied. See chart.
 Plug for GA Port (-6 SAE) is supplied.
 (4) mounting bolts are user supplied and must pass through flange and valve body to thread into customers flange interface.



PART NO.	A	B	C	D
*FMBC16212F6116S	2.00 [50.8]	3.50 [88.9]	4.00 [101.6]	1.00 [25.4]
*FMBC16216F6116S	2.00 [50.8]	3.75 [95.3]	4.00 [101.6]	1.00 [25.4]
*FMBC16220F6116S	2.00 [50.8]	4.25 [108.0]	4.00 [101.6]	1.00 [25.4]
*FMBC16224F6116S	2.00 [50.8]	4.63 [117.5]	4.00 [101.6]	1.00 [25.4]

PART NO.	E	F	G	H
*FMBC16212F6116S	2.00 [50.8]	2.44 [61.9]	0.41 [10.3]	-214
*FMBC16216F6116S	2.00 [50.8]	2.56 [65.1]	0.41 [10.3]	-219
*FMBC16220F6116S	2.00 [50.8]	2.75 [69.9]	0.47 [11.9]	-222
*FMBC16224F6116S	2.00 [50.8]	2.88 [73.0]	0.53 [13.5]	-225

Specifications, descriptions, and dimensional data are subject to correction or change without notice or incurring obligation. Download latest catalog page revisions at www.daman.com.

Ordering Information

For **coating options** see pages 245-246.

Material	Product Type	Cavity Type	Cavity Size	Flange Size	Flange Rating	Port Threads
----------	--------------	-------------	-------------	-------------	---------------	--------------

Material	
A	Aluminum - 6061-T6 3000† psi • 20.7 MPa
D	Ductile Iron - D4512 5000† psi • 34.5 MPa

† Working pressure should be considered in accordance with ISO 4413 to determine appropriate material type.

Cavity Type	
C	Industry Standard Common Cavity

Flange Size	
12F	ISO 6162 - DN19 Split Flange SAE Size 12 (0.75") Flange
16F	ISO 6162 - DN25 Split Flange SAE Size 16 (1.00") Flange
20F	ISO 6162 - DN32 Split Flange SAE Size 20 (1.25") Flange
24F	ISO 6162 - DN38 Split Flange SAE Size 24 (1.50") Flange

Port Threads	
16S	-16 SAE "T" Ports -6 SAE "GA" Port ISO 11926; SAE 1926

Product Type	
FMB	Flange Mount Body

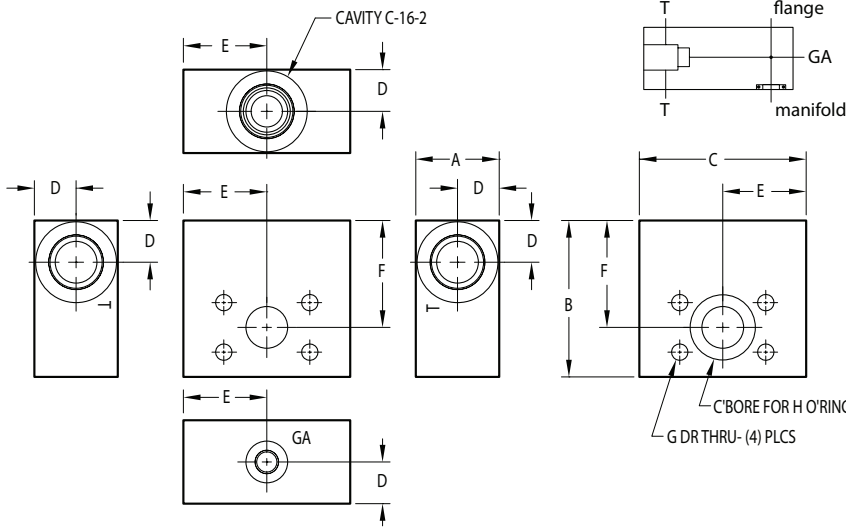
Cavity Size	
162	Cavity C-16-2

Flange Rating	
61	ISO 6162 - 2.5 to 35 MPa • SAE code 61

Code 62 Flange Mount Bodies

Flange Mount Body with 2-port Cavity

Flange interface seal is supplied. See chart.
Plug for GA Port (-6 SAE) is supplied.
 (4) mounting bolts are user supplied and must pass through flange and valve body to thread into customers flange interface.



PART NO.	A	B	C	D
*FMBC16216F6216S	2.00 [50.8]	4.13 [104.8]	4.00 [101.6]	1.00 [25.4]
*FMBC16220F6216S	2.00 [50.8]	4.38 [111.1]	4.00 [101.6]	1.00 [25.4]
*FMBC16224F6216S	2.00 [50.8]	4.88 [123.8]	4.50 [114.3]	1.00 [25.4]

PART NO.	E	F	G	H
*FMBC16216F6216S	2.00 [50.8]	2.69 [68.3]	0.47 [11.9]	-219
*FMBC16220F6216S	2.00 [50.8]	2.81 [71.4]	0.53 [13.5]	-222
*FMBC16224F6216S	2.25 [57.2]	2.97 [75.4]	0.66 [16.7]	-225

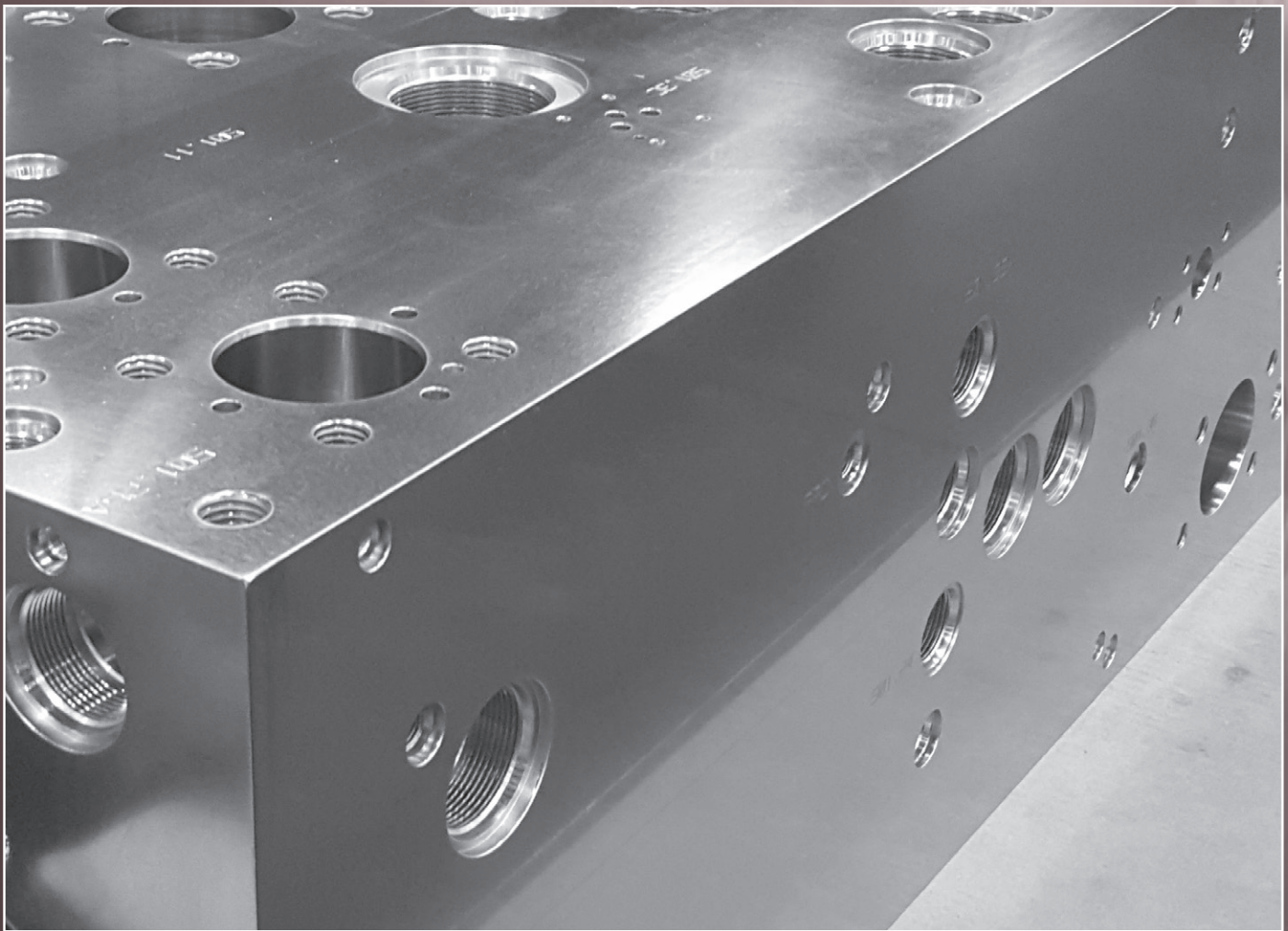
Specifications, descriptions, and dimensional data are subject to correction or change without notice or incurring obligation. Download latest catalog page revisions at www.daman.com.

Ordering Information

For **coating options** see pages 245-246.

Material	Product Type	Cavity Type	Cavity Size	Flange Size	Flange Rating	Port Threads																																				
<table border="1"> <thead> <tr> <th colspan="2">Material</th> </tr> </thead> <tbody> <tr> <td>A</td> <td>Aluminum - 6061-T6 3000† psi • 20.7 MPa</td> </tr> <tr> <td>D</td> <td>Ductile Iron - D4512 5000† psi • 34.5 MPa</td> </tr> <tr> <td colspan="2">† Working pressure should be considered in accordance with ISO 4413 to determine appropriate material type.</td> </tr> </tbody> </table>	Material		A	Aluminum - 6061-T6 3000† psi • 20.7 MPa	D	Ductile Iron - D4512 5000† psi • 34.5 MPa	† Working pressure should be considered in accordance with ISO 4413 to determine appropriate material type.		<table border="1"> <thead> <tr> <th colspan="2">Product Type</th> </tr> </thead> <tbody> <tr> <td>FMB</td> <td>Flange Mount Body</td> </tr> </tbody> </table>	Product Type		FMB	Flange Mount Body	<table border="1"> <thead> <tr> <th colspan="2">Cavity Type</th> </tr> </thead> <tbody> <tr> <td>C</td> <td>Industry Standard Common Cavity</td> </tr> </tbody> </table>	Cavity Type		C	Industry Standard Common Cavity	<table border="1"> <thead> <tr> <th colspan="2">Cavity Size</th> </tr> </thead> <tbody> <tr> <td>162</td> <td>Cavity C-16-2</td> </tr> </tbody> </table>	Cavity Size		162	Cavity C-16-2	<table border="1"> <thead> <tr> <th colspan="2">Flange Size</th> </tr> </thead> <tbody> <tr> <td>16F</td> <td>ISO 6162 - DN25 Split Flange SAE Size 16 (1.00") Flange</td> </tr> <tr> <td>20F</td> <td>ISO 6162 - DN32 Split Flange SAE Size 20 (1.25") Flange</td> </tr> <tr> <td>24F</td> <td>ISO 6162 - DN38 Split Flange SAE Size 24 (1.50") Flange</td> </tr> </tbody> </table>	Flange Size		16F	ISO 6162 - DN25 Split Flange SAE Size 16 (1.00") Flange	20F	ISO 6162 - DN32 Split Flange SAE Size 20 (1.25") Flange	24F	ISO 6162 - DN38 Split Flange SAE Size 24 (1.50") Flange	<table border="1"> <thead> <tr> <th colspan="2">Flange Rating</th> </tr> </thead> <tbody> <tr> <td>62</td> <td>ISO 6162 -40 MPa • SAE code 62</td> </tr> </tbody> </table>	Flange Rating		62	ISO 6162 -40 MPa • SAE code 62	<table border="1"> <thead> <tr> <th colspan="2">Port Threads</th> </tr> </thead> <tbody> <tr> <td>16S</td> <td>-16 SAE "T" Ports -6 SAE "GA" Port ISO 11926; SAE 1926</td> </tr> </tbody> </table>	Port Threads		16S	-16 SAE "T" Ports -6 SAE "GA" Port ISO 11926; SAE 1926
Material																																										
A	Aluminum - 6061-T6 3000† psi • 20.7 MPa																																									
D	Ductile Iron - D4512 5000† psi • 34.5 MPa																																									
† Working pressure should be considered in accordance with ISO 4413 to determine appropriate material type.																																										
Product Type																																										
FMB	Flange Mount Body																																									
Cavity Type																																										
C	Industry Standard Common Cavity																																									
Cavity Size																																										
162	Cavity C-16-2																																									
Flange Size																																										
16F	ISO 6162 - DN25 Split Flange SAE Size 16 (1.00") Flange																																									
20F	ISO 6162 - DN32 Split Flange SAE Size 20 (1.25") Flange																																									
24F	ISO 6162 - DN38 Split Flange SAE Size 24 (1.50") Flange																																									
Flange Rating																																										
62	ISO 6162 -40 MPa • SAE code 62																																									
Port Threads																																										
16S	-16 SAE "T" Ports -6 SAE "GA" Port ISO 11926; SAE 1926																																									

LARGE MANIFOLD SURFACE TREATMENTS

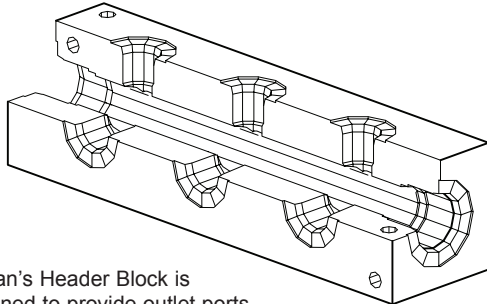



Damman[®]

HEADER AND JUNCTION BLOCKS

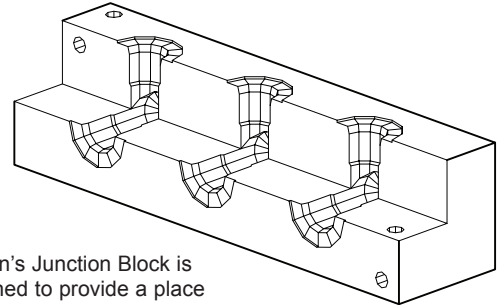
Header Manifolds - 0° Design	Pages 202-204
Header Manifolds - 90° Design	Pages 206-208
Header Manifolds - 180° Design	Pages 210-212
Junction Manifolds - 90° Design	Pages 214-216
Junction Manifolds - 180° Design	Pages 218-220
Junction Manifolds - 270° Design	Pages 222-224

Header Block



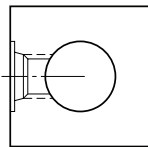
Daman's Header Block is designed to provide outlet ports that are common to one header (thru) port. The header port is always one size larger than the outlet ports.

Junction Block

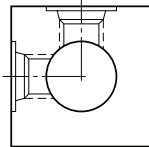


Daman's Junction Block is designed to provide a place to join piping and change direction or split / combine with other lines.

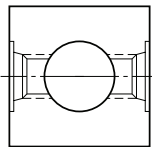
Available Header Block Configurations



0° design
See pages
202-204

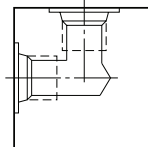


90° design
See pages
206-208

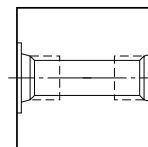


180° design
See pages
210-212

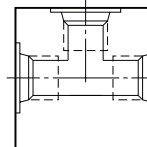
Available Junction Block Configurations



90° design
See pages
214-216



180° design
See pages
218-220



270° design
See pages
222-224

Header Block Mounting Hardware	Port Size	Mounting Bolts**	
	01P	(2) or (3) UNC #10-24 x 1.50 long SHCS	
	01T	M5 x 0.8 x 40mm long SHCS	
	02P	(2) or (3) UNC 0.25-20 x 2.00 long SHCS	
	02[B,T]	M6 x 1.0 x 50mm long SHCS	
	04*	06S	(2) or (3) UNC 0.25-20 x 2.25 long SHCS
		06M	M6 x 1.0 x 60mm long SHCS
	06/08P	(2) or (3) UNC 0.25-20 x 2.50 long SHCS	
	06/08[B,T]	M6 x 1.0 x 65mm long SHCS	
	08S	(2) or (3) UNC 0.25-20 x 2.75 long SHCS	
	08M	M6 x 1.0 x 70mm long SHCS	
	12*	(2) or (3) UNC 0.31-18 x 3.00 long SHCS M8 x 1.25 x 75mm long SHCS	
	16*	(2) or (3) UNC 0.38-16 x 3.50 long SHCS M10 x 1.50 x 90mm long SHCS	
20*	(2) or (3) UNC 0.50-13 x 4.50 long SHCS M12 x 1.75 x 120mm long SHCS		
24P	(2) or (3) UNC 0.50-13 x 5.00 long SHCS		
24[B,T]	M12 x 1.75 x 130mm long SHCS		
24S	(2) or (3) UNC 0.50-13 x 5.50 long SHCS		
24M	M12 x 1.75 x 140mm long SHCS		

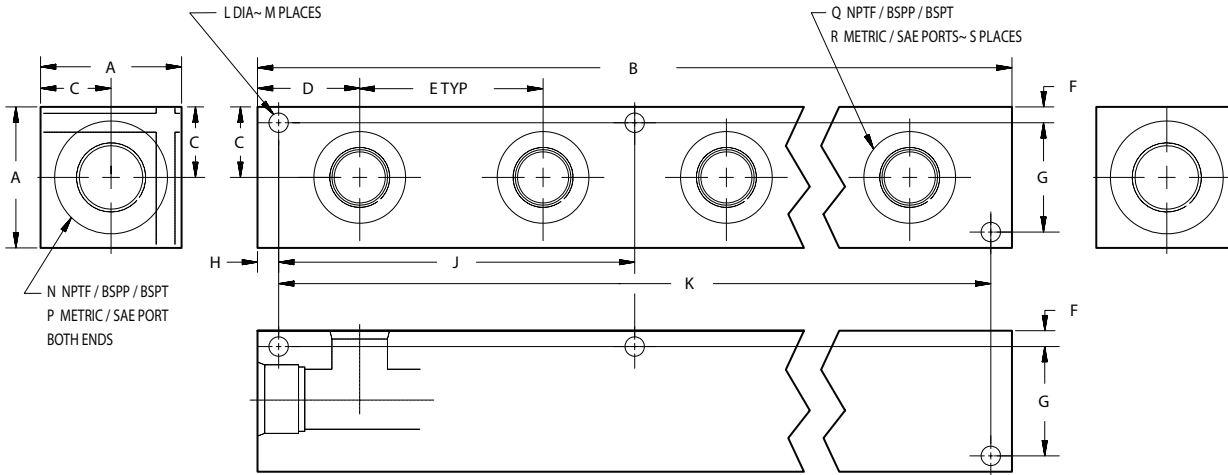
Junction Block Mounting Hardware	Port Size	Mounting Bolts**
	04*	(2) or (3) UNC 0.25-20 x 2.25 long SHCS M6 x 1.0 x 60mm long SHCS
	06*	(2) or (3) UNC 0.25-20 x 2.25 long SHCS M6 x 1.0 x 60mm long SHCS
	08*	(2) or (3) UNC 0.25-20 x 2.50 long SHCS M6 x 1.0 x 65mm long SHCS
	12*	(2) or (3) UNC 0.31-18 x 3.00 long SHCS M8 x 1.25 x 75mm long SHCS
	16*	(2) or (3) UNC 0.38-16 x 3.50 long SHCS M10 x 1.5 x 90mm long SHCS
	20*	(2) or (3) UNC 0.50-13 x 4.50 long SHCS M12 x 1.75 x 120mm long SHCS
	24*	(2) or (3) UNC 0.50-13 x 5.00 long SHCS M12 x 1.75 x 130mm long SHCS

*B,M,T come with metric bolts. P, S come with UNC bolts.

**Mounting bolts not included for stainless steel products.

Header Manifolds - 0° Design

Header block mounting hardware is supplied, except for stainless. See page 201 for itemized list.



Specifications, descriptions, and dimensional data are subject to correction or change without notice or incurring obligation. Download latest catalog page revisions at www.daman.com.

Ordering Information

Material	Product Type	Side Port Layout	No. of Stations	Side Port Threads
----------	--------------	------------------	-----------------	-------------------

For **coating options** see pages 245-246.

Material	
A	Aluminum - 6061-T6 3000 [†] psi • 20.7 MPa
D	Ductile Iron - D4512 5000 [†] psi • 34.5 MPa
S*	Stainless Steel - 17-4 5000 [†] psi • 34.5 MPa

[†] Working pressure should be considered in accordance with ISO 4413 to determine appropriate material type.

*All stainless steel products are passivated.

Side Port Layout	
000	Ports out one side only

No. of Stations	
01 thru 10	Check chart on next page to verify station-port size combinations

Product Type	
H	Header Block

Side Port Threads					
---	01P	01T		04M*	04S*
02B	02P	02T	B = BSPP • ISO 1179, BS 2779 P = NPTF • ANSI B1.20.3 T = BSPT • ISO 7, BS 21	06M*	06S*
04B*	04P*	04T*		08M*	08S*
06B	06P	06T		12M**	12S**
08B*	08P*	08T*		16M**	16S**
12B**	12P**	12T**		20M**	20S**
16B**	16P**	16T**		24M	24S
20B**	20P**	20T**		Check chart on next page to verify station-port size combinations	
24B	24P	24T			

* Available in Stainless Steel
 ** Available in Stainless Steel, 1-5 stations
 Note: Pipe ports in stainless can gall.



Header Manifolds - 0° Design

PART NO.	A	B	C	D	E	F	G	H	J	K	L	M	N	P	Q	R	S
*H0000101[P,T]	1.25	2.00	0.63	1.00	1.25	0.17	0.91	0.31	--	1.38	0.22	4	1/8	--	1/16	--	1
*H0000201[P,T]		3.25							--	2.63		4					2
*H0000301[P,T]		4.50							--	3.88		4					3
*H0000401[P,T]		5.75							--	5.13		4					4
*H0000501[P,T]		7.00							--	6.38		4					5
*H0000601[P,T]		8.25							3.81	7.63		6					6
*H0000701[P,T]		9.50							5.06	8.88		6					7
*H0000801[P,T]		10.75							5.06	10.13		6					8
*H0000901[P,T]		12.00							6.31	11.38		6					9
*H0001001[P,T]		13.25							6.31	12.63		6					10
*H0000102[B,P,T]	1.50	2.25	0.75	1.13	1.38	0.25	1.00	0.31	--	1.63	0.28	4	1/4	--	1/8	--	1
*H0000202[B,P,T]		3.63							--	3.00		4					2
*H0000302[B,P,T]		5.00							--	4.38		4					3
*H0000402[B,P,T]		6.38							--	5.75		4					4
*H0000502[B,P,T]		7.75							4.25	7.13		6					5
*H0000602[B,P,T]		9.13							4.25	8.50		6					6
*H0000702[B,P,T]		10.50							5.63	9.88		6					7
*H0000802[B,P,T]		11.88							5.63	11.25		6					8
*H0000902[B,P,T]		13.25							7.00	12.63		6					9
*H0001002[B,P,T]		14.63							7.00	14.00		6					10
H0000104	1.75	2.13	0.88	1.06	1.75	0.25	1.25	0.31	--	1.50	0.28	4	3/8	-6 or M14x1.5	1/4	-4 or M10x1.0	1
H0000204		3.88							--	3.25		4					2
H0000304		5.63							--	5.00		4					3
H0000404		7.38							--	6.75		4					4
H0000504		9.13							5.13	8.50		6					5
H0000604		10.88							5.13	10.25		6					6
H0000704		12.63							6.88	12.00		6					7
H0000804		14.38							6.88	13.75		6					8
H0000904		16.13							8.63	15.50		6					9
H0001004		17.88							8.63	17.25		6					10
*H0000106[B,P,T]	2.00	3.00	1.00	1.50	2.00	0.25	1.50	0.31	--	2.38	0.28	4	1/2	--	3/8	--	1
*H0000206[B,P,T]		5.00							--	4.38		4					2
*H0000306[B,P,T]		7.00							--	6.38		4					3
*H0000406[B,P,T]		9.00							--	8.38		4					4
*H0000506[B,P,T]		11.00							6.19	10.38		6					5
*H0000606[B,P,T]		13.00							6.19	12.38		6					6
*H0000706[B,P,T]		15.00							8.19	14.38		6					7
*H0000806[B,P,T]		17.00							8.19	16.38		6					8
*H0000906[B,P,T]		19.00							10.19	18.38		6					9
*H0001006[B,P,T]		21.00							10.19	20.38		6					10
*H0000106[M,S]	1.75	3.00	0.88	1.50	2.00	0.25	1.25	0.31	--	2.38	0.28	4	--	-8 or M18x1.5	--	-6 or M14x1.5	1
*H0000206[M,S]		5.00							--	4.38		4					2
*H0000306[M,S]		7.00							--	6.38		4					3
*H0000406[M,S]		9.00							--	8.38		4					4
*H0000506[M,S]		11.00							6.19	10.38		6					5
*H0000606[M,S]		13.00							6.19	12.38		6					6
*H0000706[M,S]		15.00							8.19	14.38		6					7
*H0000806[M,S]		17.00							8.19	16.38		6					8
*H0000906[M,S]		19.00							10.19	18.38		6					9
*H0001006[M,S]		21.00							10.19	20.38		6					10
*H0000108[B,P,T]	2.00	3.00	1.00	1.50	2.38	0.25	1.50	0.31	--	2.38	0.28	4	3/4	--	1/2	--	1
*H0000208[B,P,T]		5.38							--	4.75		4					2
*H0000308[B,P,T]		7.75							--	7.13		4					3
*H0000408[B,P,T]		10.13							--	9.50		4					4
*H0000508[B,P,T]		12.50							7.13	11.88		6					5
*H0000608[B,P,T]		14.88							7.13	14.25		6					6
*H0000708[B,P,T]		17.25							9.50	16.63		6					7
*H0000808[B,P,T]		19.63							9.50	19.00		6					8
*H0000908[B,P,T]		22.00							11.88	21.38		6					9
*H0001008[B,P,T]		24.38							11.88	23.75		6					10

Chart continued on next page

Standard Manifolds
 Cover Plates
 Valve Adaptors
 Subplates
 Servo Valve Subplates
 Tapping Plates
 Cartridge Valve Cavity Bodies
 Header and Junction Blocks
 Sandwich Modules
 Technical Information

Header Manifolds - 0° Design (cont)

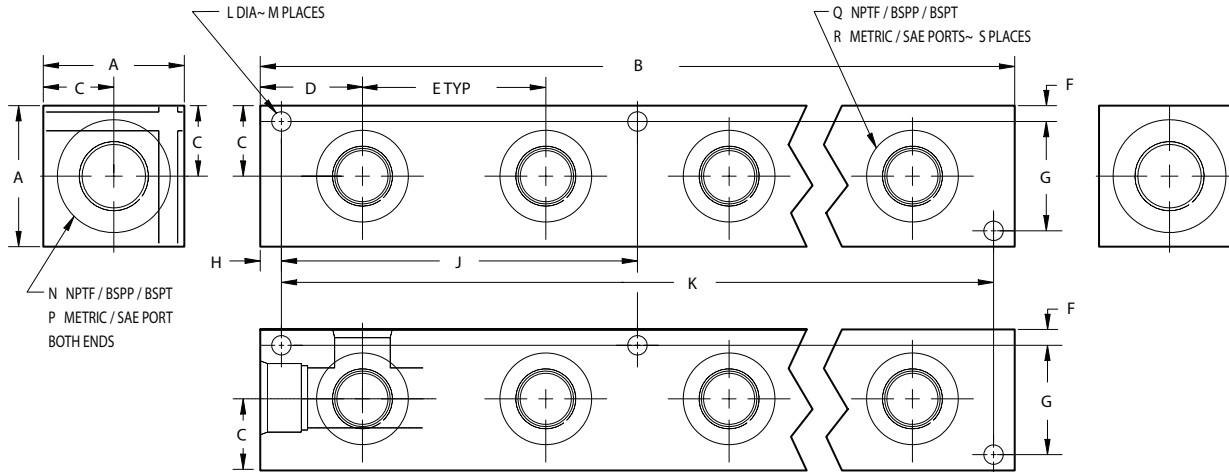
PART NO.	A	B	C	D	E	F	G	H	J	K	L	M	N	P	Q	R	S
*H0000108[M,S]		3.00							--	2.38		4					1
*H0000208[M,S]		5.38							--	4.75		4					2
*H0000308[M,S]		7.75							--	7.13		4					3
*H0000408[M,S]		10.13							--	9.50		4					4
*H0000508[M,S]	2.25	12.50	1.13	1.50	2.38	0.25	1.75	0.31	7.13	11.88	0.28	6	--	-12 or M27x2.0	--	-8 or M18x1.5	5
*H0000608[M,S]		14.88							7.13	14.25		6					6
*H0000708[M,S]		17.25							9.50	16.63		6					7
*H0000808[M,S]		19.63							9.50	19.00		6					8
*H0000908[M,S]		22.00							11.88	21.38		6					9
*H0001008[M,S]		24.38							11.88	23.75		6					10
H0000112		3.63							--	2.88		4					1
H0000212		6.88							--	6.13		4					2
H0000312		10.13							--	9.38		4					3
H0000412		13.38							--	12.63		4					4
H0000512	2.50	16.63	1.25	1.81	3.25	0.28	1.94	0.38	9.56	15.88	0.34	6	1"	-16 or M33x2.0	3/4	-12 or M27x2.0	5
H0000612		19.88							9.56	19.13		6					6
H0000712		23.13							12.81	22.38		6					7
H0000812		26.38							12.81	25.63		6					8
H0000912		29.63							16.06	28.88		6					9
H0001012		32.88							16.06	32.13		6					10
H0000116		4.00							--	3.25		4					1
H0000216		7.75							--	7.00		4					2
H0000316		11.50							--	10.75		4					3
H0000416		15.25							--	14.50		4					4
H0000516	3.00	19.00	1.50	2.00	3.75	0.34	2.31	0.38	11.00	18.25		6	1-1/4	-20 or M42x2.0	1"	-16 or M33x2.0	5
H0000616		22.75							11.00	22.00		6					6
H0000716		26.50							14.75	25.75		6					7
H0000816		30.25							14.75	29.50		6					8
H0000916		34.00							18.50	33.25		6					9
H0001016		37.75							18.50	37.00		6					10
H0000120		4.50							--	3.50		4					1
H0000220		8.50							--	7.50		4					2
H0000320		12.50							--	11.50		4					3
H0000420		16.50							--	15.50		4					4
H0000520	3.50	20.50	1.75	2.25	4.00	0.41	2.69	0.50	11.75	19.50	0.53	6	1-1/2	-24 or M48x2.0	1-1/4	-20 or M42x2.0	5
H0000620		24.50							11.75	23.50		6					6
H0000720		28.50							15.75	27.50		6					7
H0000820		32.50							15.75	31.50		6					8
H0000920		36.50							19.75	35.50		6					9
H0001020		40.50							19.75	39.50		6					10
*H0000124[B,P,T]		5.00							--	4.00		4					1
*H0000224[B,P,T]		10.00							--	9.00		4					2
*H0000324[B,P,T]		15.00							--	14.00		4					3
*H0000424[B,P,T]		20.00							9.50	19.00		6					4
*H0000524[B,P,T]	4.00	25.00	2.00	2.50	5.00	0.41	3.19	0.50	14.50	24.00	0.53	6	2"	--	1-1/2	--	5
*H0000624[B,P,T]		30.00							14.50	29.00		6					6
*H0000724[B,P,T]		35.00							19.50	34.00		6					7
*H0000824[B,P,T]		40.00							19.50	39.00		6					8
*H0000924[B,P,T]		45.00							24.50	44.00		6					9
*H0001024[B,P,T]		50.00							24.50	49.00		6					10
*H0000124[M,S]		5.00							--	4.00		4					1
*H0000224[M,S]		10.00							--	9.00		4					2
*H0000324[M,S]		15.00							--	14.00		4					3
*H0000424[M,S]		20.00							9.50	19.00		6					4
*H0000524[M,S]	4.50	25.00	2.25	2.50	5.00	0.41	3.69	0.50	14.50	24.00	0.53	6	--	-32 or M60x2.0	--	-24 or M48x2.0	5
*H0000624[M,S]		30.00							14.50	29.00		6					6
*H0000724[M,S]		35.00							19.50	34.00		6					7
*H0000824[M,S]		40.00							19.50	39.00		6					8
*H0000924[M,S]		45.00							24.50	44.00		6					9
*H0001024[M,S]		50.00							24.50	49.00		6					10

Header Manifolds - 90° 

Standard Manifolds
Cover Plates
Valve Adaptors
Subplates
Servo Valve Subplates
Tapping Plates
Cartridge Valve Cavity Bodies
Header and Junction Blocks
Sandwich Modules
Technical Information

Header Manifolds - 90° Design

Header block mounting hardware is supplied, except for stainless. See page 201 for itemized list.



Specifications, descriptions, and dimensional data are subject to correction or change without notice or incurring obligation. Download latest catalog page revisions at www.daman.com.

Ordering Information

Material	Product Type	Side Port Layout	No. of Stations	Side Port Threads
----------	--------------	------------------	-----------------	-------------------

For **coating options** see pages 245-246.

Material	
A	Aluminum - 6061-T6 3000 [†] psi • 20.7 MPa
D	Ductile Iron - D4512 5000 [†] psi • 34.5 MPa
S*	Stainless Steel - 17-4 5000 [†] psi • 34.5 MPa

[†] Working pressure should be considered in accordance with ISO 4413 to determine appropriate material type.

*All stainless steel products are passivated.

Side Port Layout	
090	Ports out two adjacent sides

No. of Stations	
01 thru 10	Check chart on next page to verify station-port size combinations

Product Type	
H	Header Block

Side Port Threads					
04B*	04P*	04T*	<small>B = BSPP • ISO 1179, BS 2779 P = NPTF • ANSI B1.20.3 T = BSPT • ISO 7, BS 21</small>	04M*	04S*
06B	06P	06T		06M*	06S*
08B*	08P*	08T*		08M*	08S*
12B**	12P**	12T**		12M**	12S**
16B**	16P**	16T**		16M**	16S**
20B**	20P**	20T**		20M**	20S**
24B	24P	24T		24M	24S

Check chart on next page to verify station-port size combinations

M = METRIC • ISO 6149
S = SAE • ISO 11926, SAE 1926

* Available in Stainless Steel
** Available in Stainless Steel, 1-5 stations
Note: Pipe ports in stainless can gall.



Header Manifolds - 90° Design

PART NO.	A	B	C	D	E	F	G	H	J	K	L	M	N	P	Q	R	S
H0900104		2.13							--	1.50		4					2
H0900204		3.88							--	3.25		4					4
H0900304		5.63							--	5.00		4					6
H0900404		7.38							--	6.75		4					8
H0900504	1.75	9.13	0.88	1.06	1.75	0.25	1.25	0.31	5.13	8.50	0.28	6	3/8	-6 or M14x1.5	1/4	-4 or M10x1.0	10
H0900604		10.88							5.13	10.25		6					12
H0900704		12.63							5.13	12.00		6					14
H0900804		14.38							6.88	13.75		6					16
H0900904		16.13							8.63	15.50		6					18
H0901004		17.88							8.63	17.25		6					20
*H0900106[B,P,T]		3.00							--	2.38		4					2
*H0900206[B,P,T]		5.00							--	4.38		4					4
*H0900306[B,P,T]		7.00							--	6.38		4					6
*H0900406[B,P,T]		9.00							--	8.38		4					8
*H0900506[B,P,T]	2.00	11.00	1.00	1.50	2.00	0.25	1.50	0.31	6.19	10.38	0.28	6	1/2	--	3/8	--	10
*H0900606[B,P,T]		13.00							6.19	12.38		6					12
*H0900706[B,P,T]		15.00							8.19	14.38		6					14
*H0900806[B,P,T]		17.00							8.19	16.38		6					16
*H0900906[B,P,T]		19.00							10.19	18.38		6					18
*H0901006[B,P,T]		21.00							10.19	20.38		6					20
*H0900106[M,S]		3.00							--	2.38		4					2
*H0900206[M,S]		5.00							--	4.38		4					4
*H0900306[M,S]		7.00							--	6.38		4					6
*H0900406[M,S]		9.00							--	8.38		4					8
*H0900506[M,S]	1.75	11.00	0.88	1.50	2.00	0.25	1.25	0.31	6.19	10.38	0.28	6	--	-8 or M18x1.5	--	-6 or M14x1.5	10
*H0900606[M,S]		13.00							6.19	12.38		6					12
*H0900706[M,S]		15.00							8.19	14.38		6					14
*H0900806[M,S]		17.00							8.19	16.38		6					16
*H0900906[M,S]		19.00							10.19	18.38		6					18
*H0901006[M,S]		21.00							10.19	20.38		6					20
*H0900108[B,P,T]		3.00							--	2.38		4					2
*H0900208[B,P,T]		5.38							--	4.75		4					4
*H0900308[B,P,T]		7.75							--	7.13		4					6
*H0900408[B,P,T]		10.13							--	9.50		4					8
*H0900508[B,P,T]	2.00	12.50	1.00	1.50	2.38	0.25	1.50	0.31	7.13	11.88	0.28	6	3/4	--	1/2	--	10
*H0900608[B,P,T]		14.88							7.13	14.25		6					12
*H0900708[B,P,T]		17.25							9.50	16.63		6					14
*H0900808[B,P,T]		19.63							9.50	19.00		6					16
*H0900908[B,P,T]		22.00							11.88	21.38		6					18
*H0901008[B,P,T]		24.38							11.88	23.75		6					20
*H0900108[M,S]		3.00							--	2.38		4					2
*H0900208[M,S]		5.38							--	4.75		4					4
*H0900308[M,S]		7.75							--	7.13		4					6
*H0900408[M,S]		10.13							--	9.50		4					8
*H0900508[M,S]	2.25	12.50	1.13	1.50	2.38	0.25	1.75	0.31	7.13	11.88	0.28	6	--	-12 or M27x2.0	--	-8 or M18x1.5	10
*H0900608[M,S]		14.88							7.13	14.25		6					12
*H0900708[M,S]		17.25							9.50	16.63		6					14
*H0900808[M,S]		19.63							9.50	19.00		6					16
*H0900908[M,S]		22.00							11.88	21.38		6					18
*H0901008[M,S]		24.38							11.88	23.75		6					20
H0900112		3.63							--	2.88		4					2
H0900212		6.88							--	6.13		4					4
H0900312		10.13							--	9.38		4					6
H0900412		13.38							--	12.63		4					8
H0900512	2.50	16.63	1.25	1.81	3.25	0.28	1.94	0.38	9.56	15.88	0.34	6	1"	-16 or M33x2.0	3/4	-12 or M27x2.0	10
H0900612		19.88							9.56	19.13		6					12
H0900712		23.13							12.81	22.38		6					14
H0900812		26.38							12.81	25.63		6					16
H0900912		29.63							16.06	28.88		6					18
H0901012		32.88							16.06	32.13		6					20

Chart continued on next page

Standard Manifolds
 Cover Plates
 Valve Adaptors
 Subplates
 Servo Valve Subplates
 Tapping Plates
 Cartridge Valve Cavity Bodies
 Header and Junction Blocks
 Sandwich Modules
 Technical Information

Header Manifolds - 90° Design (cont)

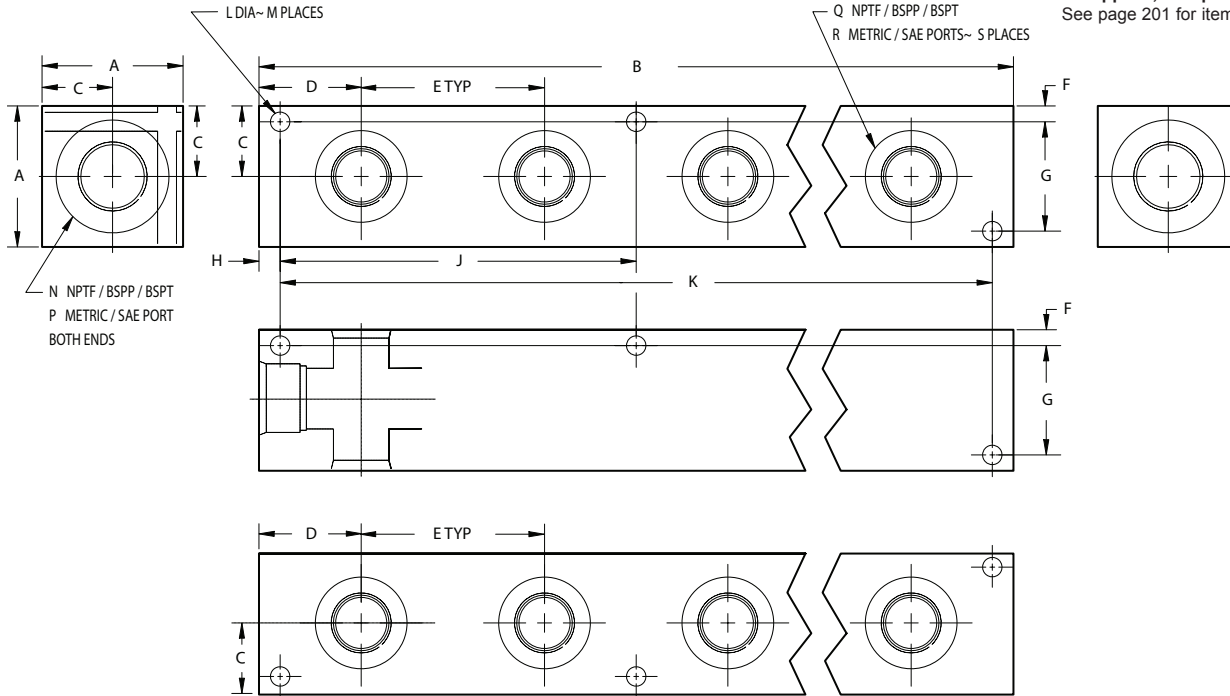
PART NO.	A	B	C	D	E	F	G	H	J	K	L	M	N	P	Q	R	S
H0900116		4.00							--	3.25		4					2
H0900216		7.75							--	7.00		4					4
H0900316		11.50							--	10.75		4					6
H0900416		15.25							--	14.50		4					8
H0900516	3.00	19.00	1.50	2.00	3.75	0.34	2.31	0.38	11.00	18.25		6	1-1/4	-20 or M42x2.0	1"	-16 or M33x2.0	10
H0900616		22.75							11.00	22.00		6					12
H0900716		26.50							14.75	25.75		6					14
H0900816		30.25							14.75	29.50		6					16
H0900916		34.00							18.50	33.25		6					18
H0901016		37.75							18.50	37.00		6					20
B,M,T ports = 0.41 P,S ports = 0.42																	
H0900120		4.50							--	3.50		4					2
H0900220		8.50							--	7.50		4					4
H0900320		12.50							--	11.50		4					6
H0900420		16.50							--	15.50		4					8
H0900520	3.50	20.50	1.75	2.25	4.00	0.41	2.69	0.50	11.75	19.50		6	1-1/2	-24 or M48x2.0	1-1/4	-20 or M42x2.0	10
H0900620		24.50							11.75	23.50	0.53	6					12
H0900720		28.50							15.75	27.50		6					14
H0900820		32.50							15.75	31.50		6					16
H0900920		36.50							19.75	35.50		6					18
H0901020		40.50							19.75	39.50		6					20
*H0900124[B,P,T]		5.00							--	4.00		4					2
*H0900224[B,P,T]		10.00							--	9.00		4					4
*H0900324[B,P,T]		15.00							--	14.00		4					6
*H0900424[B,P,T]		20.00							9.50	19.00		6					8
*H0900524[B,P,T]	4.00	25.00	2.00	2.50	5.00	0.41	3.19	0.50	14.50	24.00		6	2"	--	1-1/2	--	10
*H0900624[B,P,T]		30.00							14.50	29.00	0.53	6					12
*H0900724[B,P,T]		35.00							19.50	34.00		6					14
*H0900824[B,P,T]		40.00							19.50	39.00		6					16
*H0900924[B,P,T]		45.00							24.50	44.00		6					18
*H0901024[B,P,T]		50.00							24.50	49.00		6					20
*H0900124[M,S]		5.00							--	4.00		4					2
*H0900224[M,S]		10.00							--	9.00		4					4
*H0900324[M,S]		15.00							--	14.00		4					6
*H0900424[M,S]		20.00							9.50	19.00		6					8
*H0900524[M,S]	4.50	25.00	2.25	2.50	5.00	0.41	3.69	0.50	14.50	24.00		6	--	-32 or M60x2.0	---	-24 or M48x2.0	10
*H0900624[M,S]		30.00							14.50	29.00	0.53	6					12
*H0900724[M,S]		35.00							19.50	34.00		6					14
*H0900824[M,S]		40.00							19.50	39.00		6					16
*H0900924[M,S]		45.00							24.50	44.00		6					18
*H0901024[M,S]		50.00							24.50	49.00		6					20

Header Manifolds - 180°

Standard Manifolds
Cover Plates
Valve Adaptors
Subplates
Servo Valve Subplates
Tapping Plates
Cartridge Valve Cavity Bodies
Header and Junction Blocks
Sandwich Modules
Technical Information

Header Manifolds - 180° Design

Header block mounting hardware is supplied, except for stainless. See page 201 for itemized list.



Specifications, descriptions, and dimensional data are subject to correction or change without notice or incurring obligation. Download latest catalog page revisions at www.daman.com.

Ordering Information

Material	Product Type	Side Port Layout	No. of Stations	Side Port Threads																																																																									
<table border="1"> <thead> <tr> <th colspan="2">Material</th> </tr> </thead> <tbody> <tr> <td>A</td> <td>Aluminum - 6061-T6 3000† psi • 20.7 MPa</td> </tr> <tr> <td>D</td> <td>Ductile Iron - D4512 5000† psi • 34.5 MPa</td> </tr> <tr> <td>S*</td> <td>Stainless Steel - 17-4 5000† psi • 34.5 MPa</td> </tr> <tr> <td colspan="2">† Working pressure should be considered in accordance with ISO 4413 to determine appropriate material type.</td> </tr> <tr> <td colspan="2">*All stainless steel products are passivated.</td> </tr> </tbody> </table>	Material		A	Aluminum - 6061-T6 3000† psi • 20.7 MPa	D	Ductile Iron - D4512 5000† psi • 34.5 MPa	S*	Stainless Steel - 17-4 5000† psi • 34.5 MPa	† Working pressure should be considered in accordance with ISO 4413 to determine appropriate material type.		*All stainless steel products are passivated.		<table border="1"> <thead> <tr> <th colspan="2">Product Type</th> </tr> </thead> <tbody> <tr> <td>H</td> <td>Header Block</td> </tr> </tbody> </table>	Product Type		H	Header Block	<table border="1"> <thead> <tr> <th colspan="2">Side Port Layout</th> </tr> </thead> <tbody> <tr> <td>180</td> <td>Ports out two opposite sides</td> </tr> </tbody> </table>	Side Port Layout		180	Ports out two opposite sides	<table border="1"> <thead> <tr> <th colspan="2">No. of Stations</th> </tr> </thead> <tbody> <tr> <td>01 thru 10</td> <td>Check chart on next page to verify station-port size combinations</td> </tr> </tbody> </table>	No. of Stations		01 thru 10	Check chart on next page to verify station-port size combinations	<table border="1"> <thead> <tr> <th colspan="6">Side Port Threads</th> </tr> </thead> <tbody> <tr> <td>04B*</td> <td>04P*</td> <td>04T*</td> <td rowspan="2">B = BSPP • ISO 1179, BS 2779 P = NPTF • ANSI B1.20.3 T = BSPT • ISO 7, BS 21</td> <td>04M*</td> <td>04S*</td> </tr> <tr> <td>06B</td> <td>06P</td> <td>06T</td> <td>06M*</td> <td>06S*</td> </tr> <tr> <td>08B*</td> <td>08P*</td> <td>08T*</td> <td rowspan="2">M = METRIC • ISO 6149 S = SAE • ISO 11926, SAE 1926</td> <td>08M*</td> <td>08S*</td> </tr> <tr> <td>12B**</td> <td>12P**</td> <td>12T**</td> <td>12M**</td> <td>12S**</td> </tr> <tr> <td>16B**</td> <td>16P**</td> <td>16T**</td> <td>16M**</td> <td>16S**</td> </tr> <tr> <td>20B**</td> <td>20P**</td> <td>20T**</td> <td>20M**</td> <td>20S**</td> </tr> <tr> <td>24B</td> <td>24P</td> <td>24T</td> <td>24M</td> <td>24S</td> </tr> <tr> <td colspan="6">Check chart on next page to verify station-port size combinations</td> </tr> </tbody> </table>	Side Port Threads						04B*	04P*	04T*	B = BSPP • ISO 1179, BS 2779 P = NPTF • ANSI B1.20.3 T = BSPT • ISO 7, BS 21	04M*	04S*	06B	06P	06T	06M*	06S*	08B*	08P*	08T*	M = METRIC • ISO 6149 S = SAE • ISO 11926, SAE 1926	08M*	08S*	12B**	12P**	12T**	12M**	12S**	16B**	16P**	16T**	16M**	16S**	20B**	20P**	20T**	20M**	20S**	24B	24P	24T	24M	24S	Check chart on next page to verify station-port size combinations					
Material																																																																													
A	Aluminum - 6061-T6 3000† psi • 20.7 MPa																																																																												
D	Ductile Iron - D4512 5000† psi • 34.5 MPa																																																																												
S*	Stainless Steel - 17-4 5000† psi • 34.5 MPa																																																																												
† Working pressure should be considered in accordance with ISO 4413 to determine appropriate material type.																																																																													
*All stainless steel products are passivated.																																																																													
Product Type																																																																													
H	Header Block																																																																												
Side Port Layout																																																																													
180	Ports out two opposite sides																																																																												
No. of Stations																																																																													
01 thru 10	Check chart on next page to verify station-port size combinations																																																																												
Side Port Threads																																																																													
04B*	04P*	04T*	B = BSPP • ISO 1179, BS 2779 P = NPTF • ANSI B1.20.3 T = BSPT • ISO 7, BS 21	04M*	04S*																																																																								
06B	06P	06T		06M*	06S*																																																																								
08B*	08P*	08T*	M = METRIC • ISO 6149 S = SAE • ISO 11926, SAE 1926	08M*	08S*																																																																								
12B**	12P**	12T**		12M**	12S**																																																																								
16B**	16P**	16T**	16M**	16S**																																																																									
20B**	20P**	20T**	20M**	20S**																																																																									
24B	24P	24T	24M	24S																																																																									
Check chart on next page to verify station-port size combinations																																																																													

For **coating options** see pages 245-246.

* Available in Stainless Steel
 ** Available in Stainless Steel, 1-5 stations
 Note: Pipe ports in stainless can gall.

Header Manifolds - 180° Design

PART NO.	A	B	C	D	E	F	G	H	J	K	L	M	N	P	Q	R	S
H1800104		2.13							--	1.50		4					2
H1800204		3.88							--	3.25		4					4
H1800304		5.63							--	5.00		4					6
H1800404		7.38							--	6.75		4					8
H1800504		9.13							5.13	8.50		6					10
H1800604	1.75	10.88	0.88	1.06	1.75	0.25	1.25	0.31	5.13	10.25	0.28	6	3/8	-6 or M14x1.5	1/4	-4 or M10x1.0	12
H1800704		12.63							6.88	12.00		6					14
H1800804		14.38							6.88	13.75		6					16
H1800904		16.13							8.63	15.50		6					18
H1801004		17.88							8.63	17.25		6					20
*H1800106[B,P,T]		3.00							--	2.38		4					2
*H1800206[B,P,T]		5.00							--	4.38		4					4
*H1800306[B,P,T]		7.00							--	6.38		4					6
*H1800406[B,P,T]		9.00							--	8.38		4					8
*H1800506[B,P,T]	2.00	11.00	1.00	1.50	2.00	0.25	1.50	0.31	6.19	10.38	0.28	6	1/2	--	3/8	--	10
*H1800606[B,P,T]		13.00							6.19	12.38		6					12
*H1800706[B,P,T]		15.00							8.19	14.38		6					14
*H1800806[B,P,T]		17.00							8.19	16.38		6					16
*H1800906[B,P,T]		19.00							10.19	18.38		6					18
*H1801006[B,P,T]		21.00							10.19	20.38		6					20
*H1800106[M,S]		3.00							--	2.38		4					2
*H1800206[M,S]		5.00							--	4.38		4					4
*H1800306[M,S]		7.00							--	6.38		4					6
*H1800406[M,S]		9.00							--	8.38		4					8
*H1800506[M,S]	1.75	11.00	0.88	1.50	2.00	0.25	1.25	0.31	6.19	10.38	0.28	6	--	-8 or M18x1.5	--	-6 or M14x1.5	10
*H1800606[M,S]		13.00							6.19	12.38		6					12
*H1800706[M,S]		15.00							8.19	14.38		6					14
*H1800806[M,S]		17.00							8.19	16.38		6					16
*H1800906[M,S]		19.00							10.19	18.38		6					18
*H1801006[M,S]		21.00							10.19	20.38		6					20
*H1800108[B,P,T]		3.00							--	2.38		4					2
*H1800208[B,P,T]		5.38							--	4.75		4					4
*H1800308[B,P,T]		7.75							--	7.13		4					6
*H1800408[B,P,T]		10.13							--	9.50		4					8
*H1800508[B,P,T]	2.00	12.50	1.00	1.50	2.38	0.25	1.50	0.31	7.13	11.88	0.28	6	3/4	--	1/2	--	10
*H1800608[B,P,T]		14.88							7.13	14.25		6					12
*H1800708[B,P,T]		17.25							9.50	16.63		6					14
*H1800808[B,P,T]		19.63							9.50	19.00		6					16
*H1800908[B,P,T]		22.00							11.88	21.38		6					18
*H1801008[B,P,T]		24.38							11.88	23.75		6					20
*H1800108[M,S]		3.00							--	2.38		4					2
*H1800208[M,S]		5.38							--	4.75		4					4
*H1800308[M,S]		7.75							--	7.13		4					6
*H1800408[M,S]		10.13							--	9.50		4					8
*H1800508[M,S]	2.25	12.50	1.13	1.50	2.38	0.25	1.75	0.31	7.13	11.88	0.28	6	--	-12 or M27x2.0	--	-8 or M18x1.5	10
*H1800608[M,S]		14.88							7.13	14.25		6					12
*H1800708[M,S]		17.25							9.50	16.63		6					14
*H1800808[M,S]		19.63							9.50	19.00		6					16
*H1800908[M,S]		22.00							11.88	21.38		6					18
*H1801008[M,S]		24.38							11.88	23.75		6					20
H1800112		3.63							--	2.88		4					2
H1800212		6.88							--	6.13		4					4
H1800312		10.13							--	9.38		4					6
H1800412		13.38							--	12.63		4					8
H1800512	2.50	16.63	1.25	1.81	3.25	0.28	1.94	0.38	9.56	15.88	0.34	6	1"	-16 or M33x2.0	3/4	-12 or M27x2.0	10
H1800612		19.88							9.56	19.13		6					12
H1800712		23.13							12.81	22.38		6					14
H1800812		26.38							12.81	25.63		6					16
H1800912		29.63							16.06	28.88		6					18
H1801012		32.88							16.06	32.13		6					20

Chart continued on next page

Standard Manifolds
Cover Plates
Valve Adaptors
Subplates
Servo Valve Subplates
Tapping Plates
Cartridge Valve Cavity Bodies
Header and Junction Blocks
Sandwich Modules
Technical Information

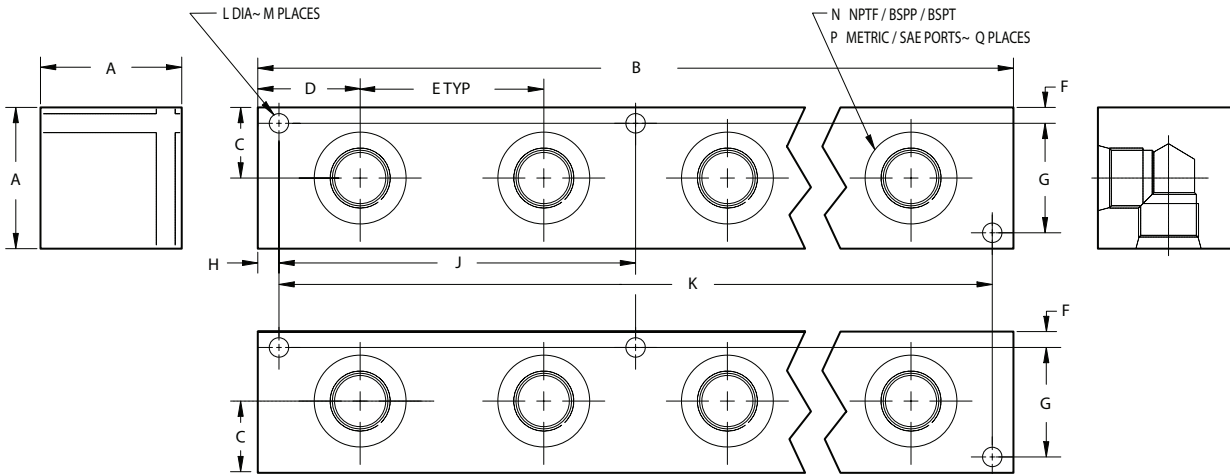
Header Manifolds - 180° Design (cont)

PART NO.	A	B	C	D	E	F	G	H	J	K	L	M	N	P	Q	R	S
H1800116		4.00							--	3.25		4					2
H1800216		7.75							--	7.00		4					4
H1800316		11.50							--	10.75		4					6
H1800416		15.25							--	14.50		4					8
H1800516	3.00	19.00	1.50	2.00	3.75	0.34	2.31	0.38	11.00	18.25		6	1-1/4	-20 or M42x2.0	1"	-16 or M33x2.0	10
H1800616		22.75							11.00	22.00		6					12
H1800716		26.50							14.75	25.75		6					14
H1800816		30.25							14.75	29.50		6					16
H1800916		34.00							18.50	33.25		6					18
H1801016		37.75							18.50	37.00		6					20
P,S ports = 0.41 B,M,T ports = 0.42																	
H1800120		4.50							--	3.50		4					2
H1800220		8.50							--	7.50		4					4
H1800320		12.50							--	11.50		4					6
H1800420		16.50							--	15.50		4					8
H1800520	3.50	20.50	1.75	2.25	4.00	0.41	2.69	0.50	11.75	19.50		6	1-1/2	-24 or M48x2.0	1-1/4	-20 or M42x2.0	10
H1800620		24.50							11.75	23.50	0.53	6					12
H1800720		28.50							15.75	27.50		6					14
H1800820		32.50							15.75	31.50		6					16
H1800920		36.50							19.75	35.50		6					18
H1801020		40.50							19.75	39.50		6					20
*H1800124[B,P,T]		5.00							--	4.00		4					2
*H1800224[B,P,T]		10.00							--	9.00		4					4
*H1800324[B,P,T]		15.00							--	14.00		4					6
*H1800424[B,P,T]		20.00							9.50	19.00		4					8
*H1800524[B,P,T]	4.00	25.00	2.00	2.50	5.00	0.41	3.19	0.50	14.50	24.00		6	2"	--	1-1/2	--	10
*H1800624[B,P,T]		30.00							14.50	29.00	0.53	6					12
*H1800724[B,P,T]		35.00							19.50	34.00		6					14
*H1800824[B,P,T]		40.00							19.50	39.00		6					16
*H1800924[B,P,T]		45.00							24.50	44.00		6					18
*H1801024[B,P,T]		50.00							24.50	49.00		6					20
*H1800124[M,S]		5.00							--	4.00		4					2
*H1800224[M,S]		10.00							--	9.00		4					4
*H1800324[M,S]		15.00							--	14.00		4					6
*H1800424[M,S]		20.00							9.50	19.00		4					8
*H1800524[M,S]	4.50	25.00	2.25	2.50	5.00	0.41	3.69	0.50	14.50	24.00		6	--	-32 or M60x2.0	--	-24 or M48x2.0	10
*H1800624[M,S]		30.00							14.50	29.00	0.53	6					12
*H1800724[M,S]		35.00							19.50	34.00		6					14
*H1800824[M,S]		40.00							19.50	39.00		6					16
*H1800924[M,S]		45.00							24.50	44.00		6					18
*H1801024[M,S]		50.00							24.50	49.00		6					20

Junction Manifolds - 90° 

Junction Manifolds - 90° Design

Junction block mounting hardware is supplied, except for stainless. See page 201 for itemized list.



Specifications, descriptions, and dimensional data are subject to correction or change without notice or incurring obligation. Download latest catalog page revisions at www.daman.com.

Ordering Information

Material	Product Type	Side Port Layout	No. of Stations	Side Port Threads																																																																												
<table border="1"> <thead> <tr> <th colspan="2">Material</th> </tr> </thead> <tbody> <tr> <td>A</td> <td>Aluminum - 6061-T6 3000† psi • 20.7 MPa</td> </tr> <tr> <td>D</td> <td>Ductile Iron - D4512 5000† psi • 34.5 MPa</td> </tr> <tr> <td>S*</td> <td>Stainless Steel - 17-4 5000† psi • 34.5 MPa</td> </tr> <tr> <td colspan="2">† Working pressure should be considered in accordance with ISO 4413 to determine appropriate material type.</td> </tr> <tr> <td colspan="2">*All stainless steel products are passivated.</td> </tr> </tbody> </table>	Material		A	Aluminum - 6061-T6 3000† psi • 20.7 MPa	D	Ductile Iron - D4512 5000† psi • 34.5 MPa	S*	Stainless Steel - 17-4 5000† psi • 34.5 MPa	† Working pressure should be considered in accordance with ISO 4413 to determine appropriate material type.		*All stainless steel products are passivated.		<table border="1"> <thead> <tr> <th colspan="2">Product Type</th> </tr> </thead> <tbody> <tr> <td>J</td> <td>Junction Block</td> </tr> </tbody> </table>	Product Type		J	Junction Block	<table border="1"> <thead> <tr> <th colspan="2">Side Port Layout</th> </tr> </thead> <tbody> <tr> <td>090</td> <td>Ports out two adjacent sides</td> </tr> </tbody> </table>	Side Port Layout		090	Ports out two adjacent sides	<table border="1"> <thead> <tr> <th colspan="2">No. of Stations</th> </tr> </thead> <tbody> <tr> <td>01 thru 10</td> <td>Check chart on next page to verify station-port size combinations</td> </tr> </tbody> </table>	No. of Stations		01 thru 10	Check chart on next page to verify station-port size combinations	<table border="1"> <thead> <tr> <th colspan="6">Side Port Threads</th> </tr> </thead> <tbody> <tr> <td>04B*</td> <td>04P*</td> <td>04T*</td> <td rowspan="10"> B = BSPP • ISO 1179, BS 2779 P = NPTF • ANSI B1.20.3 T = BSPT • ISO 7, BS 21 </td> <td>04M*</td> <td>04S*</td> </tr> <tr> <td>06B*</td> <td>06P*</td> <td>06T*</td> <td>06M*</td> <td>06S*</td> </tr> <tr> <td>08B</td> <td>08P</td> <td>08T</td> <td>08M</td> <td>08S</td> </tr> <tr> <td>12B*</td> <td>12P*</td> <td>12T*</td> <td>12M*</td> <td>12S*</td> </tr> <tr> <td>16B*</td> <td>16P*</td> <td>16T*</td> <td>16M*</td> <td>16S*</td> </tr> <tr> <td>20B*</td> <td>20P*</td> <td>20T*</td> <td>20M*</td> <td>20S*</td> </tr> <tr> <td>24B</td> <td>24P</td> <td>24T</td> <td>24M</td> <td>24S</td> </tr> <tr> <td colspan="5">Check chart on next page to verify station-port size combinations</td> </tr> <tr> <td colspan="5">M = METRIC • ISO 6149 S = SAE • ISO 11926, SAE 1926</td> </tr> </tbody> </table>	Side Port Threads						04B*	04P*	04T*	B = BSPP • ISO 1179, BS 2779 P = NPTF • ANSI B1.20.3 T = BSPT • ISO 7, BS 21	04M*	04S*	06B*	06P*	06T*	06M*	06S*	08B	08P	08T	08M	08S	12B*	12P*	12T*	12M*	12S*	16B*	16P*	16T*	16M*	16S*	20B*	20P*	20T*	20M*	20S*	24B	24P	24T	24M	24S	Check chart on next page to verify station-port size combinations					M = METRIC • ISO 6149 S = SAE • ISO 11926, SAE 1926				
Material																																																																																
A	Aluminum - 6061-T6 3000† psi • 20.7 MPa																																																																															
D	Ductile Iron - D4512 5000† psi • 34.5 MPa																																																																															
S*	Stainless Steel - 17-4 5000† psi • 34.5 MPa																																																																															
† Working pressure should be considered in accordance with ISO 4413 to determine appropriate material type.																																																																																
*All stainless steel products are passivated.																																																																																
Product Type																																																																																
J	Junction Block																																																																															
Side Port Layout																																																																																
090	Ports out two adjacent sides																																																																															
No. of Stations																																																																																
01 thru 10	Check chart on next page to verify station-port size combinations																																																																															
Side Port Threads																																																																																
04B*	04P*	04T*	B = BSPP • ISO 1179, BS 2779 P = NPTF • ANSI B1.20.3 T = BSPT • ISO 7, BS 21	04M*	04S*																																																																											
06B*	06P*	06T*		06M*	06S*																																																																											
08B	08P	08T		08M	08S																																																																											
12B*	12P*	12T*		12M*	12S*																																																																											
16B*	16P*	16T*		16M*	16S*																																																																											
20B*	20P*	20T*		20M*	20S*																																																																											
24B	24P	24T		24M	24S																																																																											
Check chart on next page to verify station-port size combinations																																																																																
M = METRIC • ISO 6149 S = SAE • ISO 11926, SAE 1926																																																																																

For **coating options** see pages 245-246.

* Available in Stainless Steel
Note: Pipe ports in stainless can gall.



Junction Manifolds - 90° Design

PART NO.	A	B	C	D	E	F	G	H	J	K	L	M	N	P	Q
J0900104		2.13							--	1.50		4			2
J0900204		3.88							--	3.25		4			4
J0900304		5.63							--	5.00		4			6
J0900404		7.38							--	6.75		4			8
J0900504	1.75	9.13	0.88	1.06	1.75	0.25	1.25	0.31	5.13	8.50	0.28	6	1/4	-4	10
J0900604		10.88							5.13	10.25		6		or	12
J0900704		12.63							6.88	12.00		6		M10x1.0	14
J0900804		14.38							6.88	13.75		6			16
J0900904		16.13							8.63	15.50		6			18
J0901004		17.88							8.63	17.25		6			20
J0900106		3.00							--	2.38		4			2
J0900206		5.00							--	4.38		4			4
J0900306		7.00							--	6.38		4			6
J0900406		9.00							--	8.38		4			8
J0900506	1.75	11.00	0.88	1.50	2.00	0.25	1.25	0.31	6.19	10.38	0.28	6	3/8	-6	10
J0900606		13.00							6.19	12.38		6		or	12
J0900706		15.00							8.19	14.38		6		M14x1.5	14
J0900806		17.00							8.19	16.38		6			16
J0900906		19.00							10.19	18.38		6			18
J0901006		21.00							10.19	20.38		6			20
J0900108		3.00							--	2.38		4			2
J0900208		5.38							--	4.75		4			4
J0900308		7.75							--	7.13		4			6
J0900408		10.13							--	9.50		4			8
J0900508	2.00	12.50	1.00	1.50	2.38	0.25	1.50	0.31	7.13	11.88	0.28	6	1/2	-8	10
J0900608		14.88							7.13	14.25		6		or	12
J0900708		17.25							9.50	16.63		6		M18x1.5	14
J0900808		19.63							9.50	19.00		6			16
J0900908		22.00							11.88	21.38		6			18
J0901008		24.38							11.88	23.75		6			20
J0900112		3.63							--	2.88		4			2
J0900212		6.88							--	6.13		4			4
J0900312		10.13							--	9.38		4			6
J0900412		13.38							--	12.63		4			8
J0900512	2.50	16.63	1.25	1.81	3.25	0.28	1.94	0.38	9.56	15.88	0.34	6	3/4	-12	10
J0900612		19.88							9.56	19.13		6		or	12
J0900712		23.13							12.81	22.38		6		M27x2.0	14
J0900812		26.38							12.81	25.63		6			16
J0900912		29.63							16.06	28.88		6			18
J0901012		32.88							16.06	32.13		6			20
J0900116		4.00							--	3.25		4			2
J0900216		7.75							--	7.00		4			4
J0900316		11.50							--	10.75		4			6
J0900416		15.25							--	14.50		4			8
J0900516	3.00	19.00	1.50	2.00	3.75	0.34	2.31	0.38	11.00	18.25	B.M., T ports = 0.41	6	1"	-16	10
J0900616		22.75							11.00	22.00	P.S. ports = 0.42	6		or	12
J0900716		26.50							14.75	25.75		6		M33x2.0	14
J0900816		30.25							14.75	29.50		6			16
J0900916		34.00							18.50	33.25		6			18
J0901016		37.75							18.50	37.00		6			20
J0900120		4.50							--	3.50		4			2
J0900220		8.50							--	7.50		4			4
J0900320		12.50							--	11.50		4			6
J0900420		16.50							--	15.50		4			8
J0900520	3.50	20.50	1.75	2.25	4.00	0.41	2.69	0.50	11.75	19.50	0.53	6	1-1/4	-20	10
J0900620		24.50							11.75	23.50		6		or	12
J0900720		28.50							15.75	27.50		6		M42x2.0	14
J0900820		32.50							15.75	31.50		6			16
J0900920		36.50							19.75	35.50		6			18
J0901020		40.50							19.75	39.50		6			20

Chart continued on next page

Standard Manifolds
Cover Plates
Valve Adaptors
Subplates
Servo Valve Subplates
Tapping Plates
Cartridge Valve Cavity Bodies
Header and Junction Blocks
Sandwich Modules
Technical Information



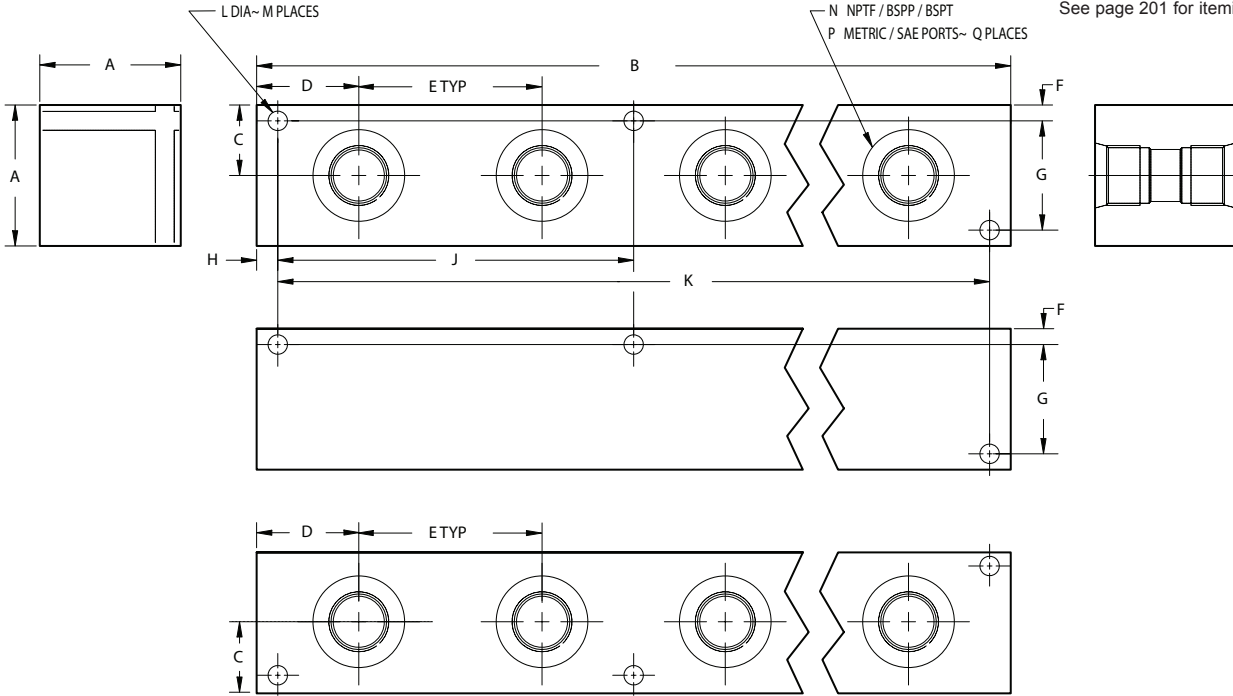
Junction Manifolds - 90° Design (cont)

PART NO.	A	B	C	D	E	F	G	H	J	K	L	M	N	P	Q
J0900124		5.00							--	4.00		4			2
J0900224		10.00							--	9.00		4			4
J0900324		15.00							--	14.00		4			6
J0900424		20.00							9.50	19.00		4			8
J0900524	4.00	25.00	2.00	2.50	5.00	0.41	3.19	0.50	14.50	24.00	0.53	6	1-1/2	-24 or M48x2.0	10
J0900624		30.00							14.50	29.00		6			12
J0900724		35.00							19.50	34.00		6			14
J0900824		40.00							19.50	39.00		6			16
J0900924		45.00							24.50	44.00		6			18
J0901024		50.00							24.50	49.00		6			20

Junction Manifolds - 180° 

Standard Manifolds
Cover Plates
Valve Adaptors
Subplates
Servo Valve Subplates
Tapping Plates
Cartridge Valve Cavity Bodies
Header and Junction Blocks
Sandwich Modules
Technical Information

Junction Manifolds - 180° Design



Junction block mounting hardware is supplied, except for stainless. See page 201 for itemized list.

Specifications, descriptions, and dimensional data are subject to correction or change without notice or incurring obligation. Download latest catalog page revisions at www.daman.com.

Ordering Information

Material	Product Type	Side Port Layout	No. of Stations	Side Port Threads
----------	--------------	------------------	-----------------	-------------------

For **coating options** see pages 245-246.

Material	
A	Aluminum - 6061-T6 3000 [†] psi • 20.7 MPa
D	Ductile Iron - D4512 5000 [†] psi • 34.5 MPa
S*	Stainless Steel - 17-4 5000 [†] psi • 34.5 MPa

[†] Working pressure should be considered in accordance with ISO 4413 to determine appropriate material type.

*All stainless steel products are passivated.

Side Port Layout	
180	Ports out two opposite sides

No. of Stations	
01 thru 10	Check chart on next page to verify station-port size combinations

Product Type	
J	Junction Block

Side Port Threads					
04B*	04P*	04T*	B = BSPP • ISO 1179, BS 2179 P = NPTF • ANSI B1.20.3 T = BSPT • ISO 7, BS 21	04M*	04S*
06B*	06P*	06T*		06M*	06S*
08B	08P	08T		08M	08S
12B*	12P*	12T*		12M*	12S*
16B*	16P*	16T*		16M*	16S*
20B*	20P*	20T*		20M*	20S*
24B	24P	24T		24M	24S
Check chart on next page to verify station-port size combinations					

* Available in Stainless Steel
Note: Pipe ports in stainless can gall.



Junction Manifolds - 180° Design

PART NO.	A	B	C	D	E	F	G	H	J	K	L	M	N	P	Q
J1800104		2.13							--	1.50		4			2
J1800204		3.88							--	3.25		4			4
J1800304		5.63							--	5.00		4			6
J1800404		7.38							--	6.75		4			8
J1800504	1.75	9.13	0.88	1.06	1.75	0.25	1.25	0.31	5.13	8.50	0.28	6	1/4	-4 or M10x1.0	10
J1800604		10.88							5.13	10.25		6			12
J1800704		12.63							6.88	12.00		6			14
J1800804		14.38							6.88	13.75		6			16
J1800904		16.13							8.63	15.50		6			18
J1801004		17.88							8.63	17.25		6			20
J1800106		3.00							--	2.38		4			2
J1800206		5.00							--	4.38		4			4
J1800306		7.00							--	6.38		4			6
J1800406		9.00							--	8.38		4			8
J1800506	1.75	11.00	0.88	1.50	2.00	0.25	1.25	0.31	6.19	10.38	0.28	6	3/8	-6 or M14x1.5	10
J1800606		13.00							6.19	12.38		6			12
J1800706		15.00							8.19	14.38		6			14
J1800806		17.00							8.19	16.38		6			16
J1800906		19.00							10.19	18.38		6			18
J1801006		21.00							10.19	20.38		6			20
J1800108		3.00							--	2.38		4			2
J1800208		5.38							--	4.75		4			4
J1800308		7.75							--	7.13		4			6
J1800408		10.13							--	9.50		4			8
J1800508	2.00	12.50	1.00	1.50	2.38	0.25	1.50	0.31	7.13	11.88	0.28	6	1/2	-8 or M18x1.5	10
J1800608		14.88							7.13	14.25		6			12
J1800708		17.25							9.50	16.63		6			14
J1800808		19.63							9.50	19.00		6			16
J1800908		22.00							11.88	21.38		6			18
J1801008		24.38							11.88	23.75		6			20
J1800112		3.63							--	2.88		4			2
J1800212		6.88							--	6.13		4			4
J1800312		10.13							--	9.38		4			6
J1800412		13.38							--	12.63		4			8
J1800512	2.50	16.63	1.25	1.81	3.25	0.28	1.94	0.38	9.56	15.88	0.34	6	3/4	-12 or M27x2.0	10
J1800612		19.88							9.56	19.13		6			12
J1800712		23.13							12.81	22.38		6			14
J1800812		26.38							12.81	25.63		6			16
J1800912		29.63							16.06	28.88		6			18
J1801012		32.88							16.06	32.13		6			20
J1800116		4.00							--	3.25		4			2
J1800216		7.75							--	7.00		4			4
J1800316		11.50							--	10.75		4			6
J1800416		15.25							--	14.50		4			8
J1800516	3.00	19.00	1.50	2.00	3.75	0.34	2.31	0.38	11.00	18.25	B,M,T ports = 0.41	6	1"	-16 or M33x2.0	10
J1800616		22.75							11.00	22.00	P,S ports = 0.42	6			12
J1800716		26.50							14.75	25.75		6			14
J1800816		30.25							14.75	29.50		6			16
J1800916		34.00							18.50	33.25		6			18
J1801016		37.75							18.50	37.00		6			20
J1800120		4.50							--	3.50		4			2
J1800220		8.50							--	7.50		4			4
J1800320		12.50							--	11.50		4			6
J1800420		16.50							--	15.50		4			8
J1800520	3.50	20.50	1.75	2.25	4.00	0.41	2.69	0.50	11.75	19.50	0.53	6	1-1/4	-20 or M42x2.0	10
J1800620		24.50							11.75	23.50		6			12
J1800720		28.50							15.75	27.50		6			14
J1800820		32.50							15.75	31.50		6			16
J1800920		36.50							19.75	35.50		6			18
J1801020		40.50							19.75	39.50		6			20

Chart continued on next page

Standard Manifolds
 Cover Plates
 Valve Adaptors
 Subplates
 Servo Valve Subplates
 Tapping Plates
 Cartridge Valve Cavity Bodies
 Header and Junction Blocks
 Sandwich Modules
 Technical Information

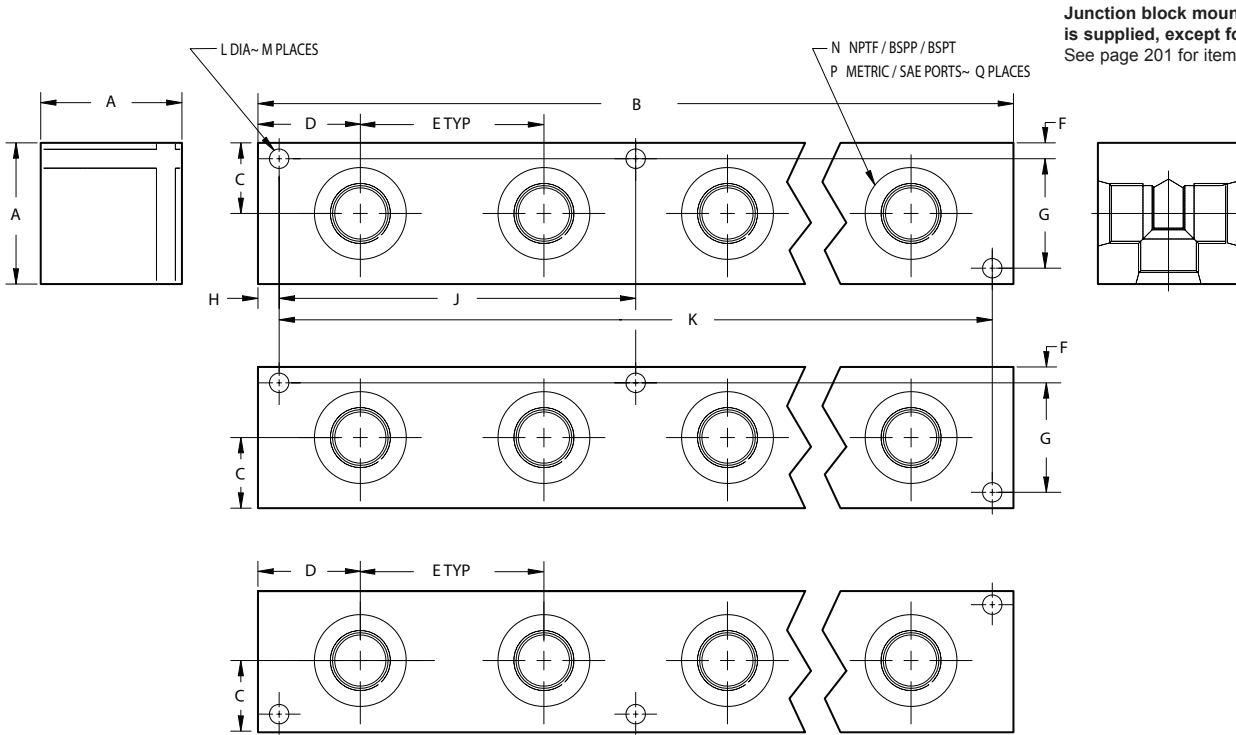


Junction Manifolds - 180° Design (cont)

PART NO.	A	B	C	D	E	F	G	H	J	K	L	M	N	P	Q
J1800124		5.00							--	4.00		4			2
J1800224		10.00							--	9.00		4			4
J1800324		15.00							--	14.00		4			6
J1800424		20.00							9.50	19.00		4			8
J1800524	4.00	25.00	2.00	2.50	5.00	0.41	3.19	0.50	14.50	24.00	0.53	6	1-1/2	-24	10
J1800624		30.00							14.50	29.00		6		or	12
J1800724		35.00							19.50	34.00		6		M48x2.0	14
J1800824		40.00							19.50	39.00		6			16
J1800924		45.00							24.50	44.00		6			18
J1801024		50.00							24.50	49.00		6			20

Junction Manifolds - 270° 

Junction Manifolds - 270° Design



Junction block mounting hardware is supplied, except for stainless. See page 201 for itemized list.

Specifications, descriptions, and dimensional data are subject to correction or change without notice or incurring obligation. Download latest catalog page revisions at www.daman.com.

Ordering Information

Material	Product Type	Side Port Layout	No. of Stations	Side Port Threads																																																																												
<table border="1"> <thead> <tr> <th colspan="2">Material</th> </tr> </thead> <tbody> <tr> <td>A</td> <td>Aluminum - 6061-T6 3000[†] psi • 20.7 MPa</td> </tr> <tr> <td>D</td> <td>Ductile Iron - D4512 5000[†] psi • 34.5 MPa</td> </tr> <tr> <td>S*</td> <td>Stainless Steel - 17-4 5000[†] psi • 34.5 MPa</td> </tr> <tr> <td colspan="2">† Working pressure should be considered in accordance with ISO 4413 to determine appropriate material type.</td> </tr> <tr> <td colspan="2">*All stainless steel products are passivated.</td> </tr> </tbody> </table>	Material		A	Aluminum - 6061-T6 3000 [†] psi • 20.7 MPa	D	Ductile Iron - D4512 5000 [†] psi • 34.5 MPa	S*	Stainless Steel - 17-4 5000 [†] psi • 34.5 MPa	† Working pressure should be considered in accordance with ISO 4413 to determine appropriate material type.		*All stainless steel products are passivated.		<table border="1"> <thead> <tr> <th colspan="2">Product Type</th> </tr> </thead> <tbody> <tr> <td>J</td> <td>Junction Block</td> </tr> </tbody> </table>	Product Type		J	Junction Block	<table border="1"> <thead> <tr> <th colspan="2">Side Port Layout</th> </tr> </thead> <tbody> <tr> <td>270</td> <td>Ports out three adjacent sides</td> </tr> </tbody> </table>	Side Port Layout		270	Ports out three adjacent sides	<table border="1"> <thead> <tr> <th colspan="2">No. of Stations</th> </tr> </thead> <tbody> <tr> <td>01 thru 10</td> <td>Check chart on next page to verify station-port size combinations</td> </tr> </tbody> </table>	No. of Stations		01 thru 10	Check chart on next page to verify station-port size combinations	<table border="1"> <thead> <tr> <th colspan="6">Side Port Threads</th> </tr> </thead> <tbody> <tr> <td>04B*</td> <td>04P*</td> <td>04T*</td> <td>04M*</td> <td>04S*</td> <td rowspan="10"> M = METRIC • ISO 6149 S = SAE • ISO 11926, SAE 1926 </td> </tr> <tr> <td>06B*</td> <td>06P*</td> <td>06T*</td> <td>06M*</td> <td>06S*</td> </tr> <tr> <td>08B</td> <td>08P</td> <td>08T</td> <td>08M</td> <td>08S</td> </tr> <tr> <td>12B*</td> <td>12P*</td> <td>12T*</td> <td>12M*</td> <td>12S*</td> </tr> <tr> <td>16B*</td> <td>16P*</td> <td>16T*</td> <td>16M*</td> <td>16S*</td> </tr> <tr> <td>20B*</td> <td>20P*</td> <td>20T*</td> <td>20M*</td> <td>20S*</td> </tr> <tr> <td>24B</td> <td>24P</td> <td>24T</td> <td>24M</td> <td>24S</td> </tr> <tr> <td colspan="5"> B = BSPP • ISO 1179, BS 2779 P = NPTF • ANSI B1.20.3 T = BSPT • ISO 7, BS 21 </td> </tr> <tr> <td colspan="5"> Check chart on next page to verify station-port size combinations </td> </tr> </tbody> </table>	Side Port Threads						04B*	04P*	04T*	04M*	04S*	M = METRIC • ISO 6149 S = SAE • ISO 11926, SAE 1926	06B*	06P*	06T*	06M*	06S*	08B	08P	08T	08M	08S	12B*	12P*	12T*	12M*	12S*	16B*	16P*	16T*	16M*	16S*	20B*	20P*	20T*	20M*	20S*	24B	24P	24T	24M	24S	B = BSPP • ISO 1179, BS 2779 P = NPTF • ANSI B1.20.3 T = BSPT • ISO 7, BS 21					Check chart on next page to verify station-port size combinations				
Material																																																																																
A	Aluminum - 6061-T6 3000 [†] psi • 20.7 MPa																																																																															
D	Ductile Iron - D4512 5000 [†] psi • 34.5 MPa																																																																															
S*	Stainless Steel - 17-4 5000 [†] psi • 34.5 MPa																																																																															
† Working pressure should be considered in accordance with ISO 4413 to determine appropriate material type.																																																																																
*All stainless steel products are passivated.																																																																																
Product Type																																																																																
J	Junction Block																																																																															
Side Port Layout																																																																																
270	Ports out three adjacent sides																																																																															
No. of Stations																																																																																
01 thru 10	Check chart on next page to verify station-port size combinations																																																																															
Side Port Threads																																																																																
04B*	04P*	04T*	04M*	04S*	M = METRIC • ISO 6149 S = SAE • ISO 11926, SAE 1926																																																																											
06B*	06P*	06T*	06M*	06S*																																																																												
08B	08P	08T	08M	08S																																																																												
12B*	12P*	12T*	12M*	12S*																																																																												
16B*	16P*	16T*	16M*	16S*																																																																												
20B*	20P*	20T*	20M*	20S*																																																																												
24B	24P	24T	24M	24S																																																																												
B = BSPP • ISO 1179, BS 2779 P = NPTF • ANSI B1.20.3 T = BSPT • ISO 7, BS 21																																																																																
Check chart on next page to verify station-port size combinations																																																																																

For **coating options** see pages 245-246.

* Available in Stainless Steel
Note: Pipe ports in stainless can gall.



Junction Manifolds - 270° Design

PART NO.	A	B	C	D	E	F	G	H	J	K	L	M	N	P	Q
J2700104		2.13							--	1.50		4			3
J2700204		3.88							--	3.25		4			6
J2700304		5.63							--	5.00		4			9
J2700404		7.38							--	6.75		4			12
J2700504	1.75	9.13	0.88	1.06	1.75	0.25	1.25	0.31	5.13	8.50	0.28	6	1/4	-4	15
J2700604		10.88							5.13	10.25		6		or	18
J2700704		12.63							6.88	12.00		6		M10x1.0	21
J2700804		14.38							6.88	13.75		6			24
J2700904		16.13							8.63	15.50		6			27
J2701004		17.88							8.63	17.25		6			30
J2700106		3.00							--	2.38		4			3
J2700206		5.00							--	4.38		4			6
J2700306		7.00							--	6.38		4			9
J2700406		9.00							--	8.38		4			12
J2700506	1.75	11.00	0.88	1.50	2.00	0.25	1.25	0.31	6.19	10.38	0.28	6	3/8	-6	15
J2700606		13.00							6.19	12.38		6		or	18
J2700706		15.00							8.19	14.38		6		M14x1.5	21
J2700806		17.00							8.19	16.38		6			24
J2700906		19.00							10.19	18.38		6			27
J2701006		21.00							10.19	20.38		6			30
J2700108		3.00							--	2.38		4			3
J2700208		5.38							--	4.75		4			6
J2700308		7.75							--	7.13		4			9
J2700408		10.13							--	9.50		4			12
J2700508	2.00	12.50	1.00	1.50	2.38	0.25	1.50	0.31	7.13	11.88	0.28	6	1/2	-8	15
J2700608		14.88							7.13	14.25		6		or	18
J2700708		17.25							9.50	16.63		6		M18x1.5	21
J2700808		19.63							9.50	19.00		6			24
J2700908		22.00							11.88	21.38		6			27
J2701008		24.38							11.88	23.75		6			30
J2700112		3.63							--	2.88		4			3
J2700212		6.88							--	6.13		4			6
J2700312		10.13							--	9.38		4			9
J2700412		13.38							--	12.63		4			12
J2700512	2.50	16.63	1.25	1.81	3.25	0.28	1.94	0.38	9.56	15.88	0.34	6	3/4	-12	15
J2700612		19.88							9.56	19.13		6		or	18
J2700712		23.13							12.81	22.38		6		M27x2.0	21
J2700812		26.38							12.81	25.63		6			24
J2700912		29.63							16.06	28.88		6			27
J2701012		32.88							16.06	32.13		6			30
J2700116		4.00							--	3.25		4			3
J2700216		7.75							--	7.00		4			6
J2700316		11.50							--	10.75		4			9
J2700416		15.25							--	14.50		4			12
J2700516	3.00	19.00	1.50	2.00	3.75	0.34	2.31	0.38	11.00	18.25	B.M., T ports = 0.41	6	1"	-16	15
J2700616		22.75							11.00	22.00	P.S. ports = 0.42	6		or	18
J2700716		26.50							14.75	25.75		6		M33x2.0	21
J2700816		30.25							14.75	29.50		6			24
J2700916		34.00							18.50	33.25		6			27
J2701016		37.75							18.50	37.00		6			30
J2700120		4.50							--	3.50		4			3
J2700220		8.50							--	7.50		4			6
J2700320		12.50							--	11.50		4			9
J2700420		16.50							--	15.50		4			12
J2700520	3.50	20.50	1.75	2.25	4.00	0.41	2.69	0.50	11.75	19.50	0.53	6	1-1/4	-20	15
J2700620		24.50							11.75	23.50		6		or	18
J2700720		28.50							15.75	27.50		6		M42x2.0	21
J2700820		32.50							15.75	31.50		6			24
J2700920		36.50							19.75	35.50		6			27
J2701020		40.50							19.75	39.50		6			30

Chart continued on next page

Standard Manifolds
 Cover Plates
 Valve Adaptors
 Subplates
 Servo Valve Subplates
 Tapping Plates
 Cartridge Valve Cavity Bodies
 Header and Junction Blocks
 Sandwich Modules
 Technical Information



Junction Manifolds - 270° Design (cont)

PART NO.	A	B	C	D	E	F	G	H	J	K	L	M	N	P	Q
J2700124		5.00							--	4.00		4			3
J2700224		10.00							--	9.00		4			6
J2700324		15.00							--	14.00		4			9
J2700424		20.00							9.50	19.00		6			12
J2700524	4.00	25.00	2.00	2.50	5.00	0.41	3.19	0.50	14.50	24.00	0.53	6	1-1/2	-24	15
J2700624		30.00							14.50	29.00		6		or	18
J2700724		35.00							19.50	34.00		6		M48x2.0	21
J2700824		40.00							19.50	39.00		6			24
J2700924		45.00							24.50	44.00		6			27
J2701024		50.00							24.50	49.00		6			30

Hydraulic Valve Manifolds

Better System Design Begins with a Manifold.

SANDWICH MODULES

D03 Spacers	Page 224.4 - 224.6
D03 1-Cavity Modules	Page 224.4 - 224.6
D03 2-Cavity Modules	Page 224.4 - 224.6

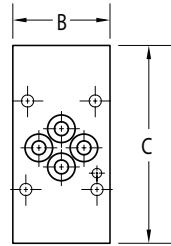
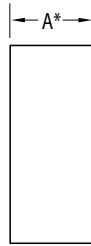
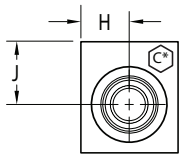
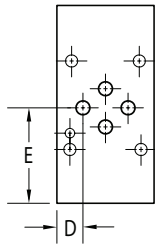
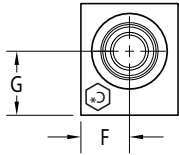


Sandwich Modules

The pages in this section are our standard product offerings for sandwich modules. Sandwich modules provide an easy way to add a valve function into an existing directional control valve circuit with no additional line plumbing.

If you need a custom sandwich module solution please visit www.daman.com for Request For Quote (RFQ) instructions.

D03 Sandwich Modules

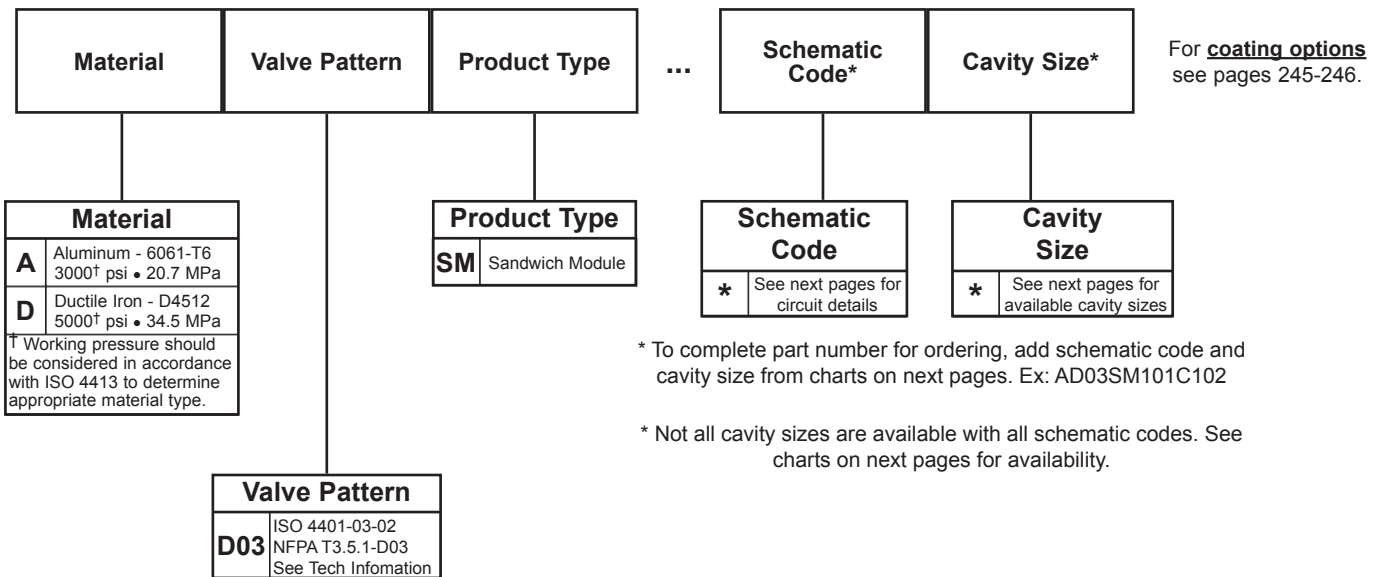


See chart on next page for dimensions and locations.

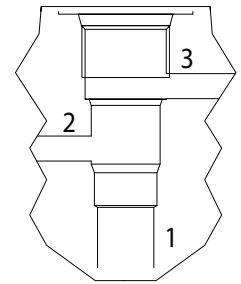
*Dimension A may be smaller than required for valve fitment in stack. Spacer plate may be required.

Specifications, descriptions, and dimensional data are subject to correction or change without notice or incurring obligation. Download latest catalog page revisions at www.daman.com.

Ordering Information

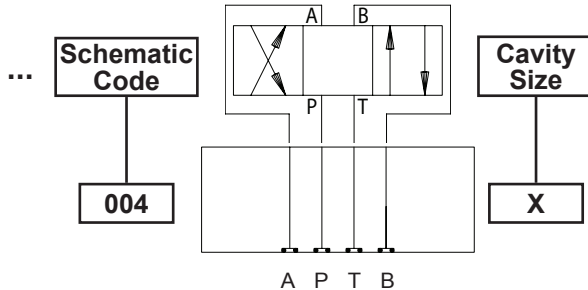


D03 Sandwich Modules



Schematic connections

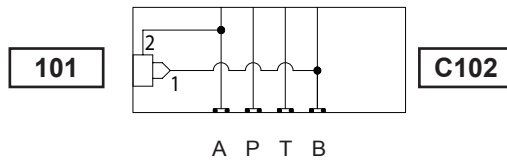
D03 Spacers



A	B	C	D	E	F	G	H	J
0.39	1.93	2.38	0.56	1.14	--	--	--	--

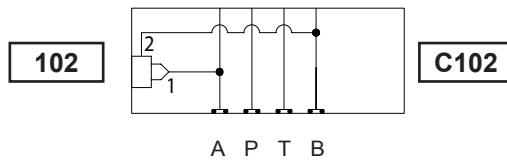
Note: 0.39" thick.

D03 1-Cavity Modules



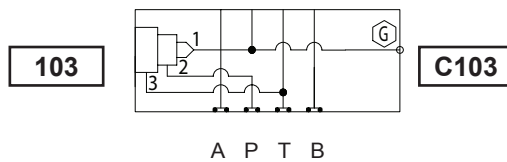
A	B	C	D	E	F	G	H	J
1.58	1.93	4.93	0.56	2.42	--	--	0.69	0.80

Note: B to A for Single Port Relief or Check. See 102 for opposite flow direction.



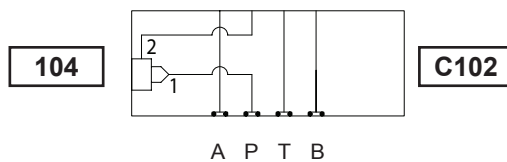
A	B	C	D	E	F	G	H	J
1.58	1.93	4.93	0.56	2.42	1.24	0.79	--	--

Note: A to B for Single Port Relief or Check. See 101 for opposite flow direction.



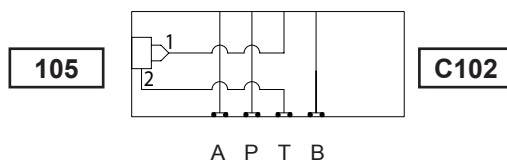
A	B	C	D	E	F	G	H	J
1.58	1.93	4.43	0.56	1.43	0.75	0.60	0.75	0.60

Note: Interrupts P for Reducing / Relieving or 3-way Selector. -04 SAE gauge port.



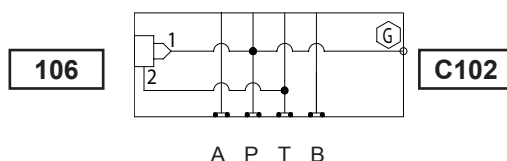
A	B	C	D	E	F	G	H	J
1.58	1.93	3.43	0.56	2.18	--	--	0.82	0.92

Note: Interrupts P for Check or Flow Control.



A	B	C	D	E	F	G	H	J
1.58	1.93	3.43	0.56	2.18	--	--	1.11	0.67

Note: Interrupts T for Check or Flow Control.

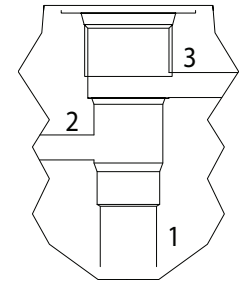


A	B	C	D	E	F	G	H	J
1.58	1.93	2.93	0.57	1.88	--	--	0.97	0.79

Note: P to T for Unloading, Flow Control or Relieving.

D03 Sandwich Modules

D03 2-Cavity Modules



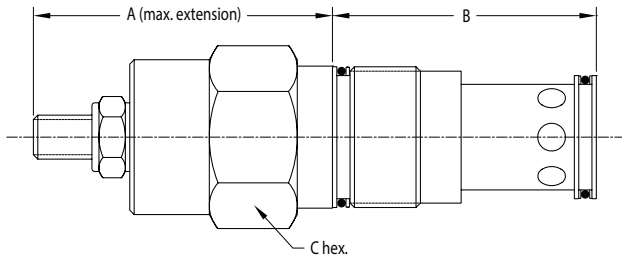
Schematic connections

Schematic Code	Cavity Size	A	B	C	D	E	F	G	H	J
201	VC082	1.58	1.93	3.94	0.56	1.97	1.05	0.59	1.05	0.59
Note: Interrupts A & B with cross piloting for Dual PO Check "lock valve". X = Pilot piston between port 1 of both cavities. Machined to accept a piston (bore DIA 0.5005 - 0.5020"). For single-cavity function a cavity plug is required. Consult factory for details.										
202	C102	1.58	1.93	4.93	0.58	2.42	1.24	0.79	0.69	0.80
Note: A to B and B to A for Cross Port Relief, Unloading, or Flow Control.										
203	C102	1.58	1.93	3.94	0.56	1.97	0.97	0.62	0.97	0.62
Note: Interrupts A & B for Metering, Blocking, or Load Holding. See 204 for reverse flow direction.										
204	C102	1.58	1.93	3.94	0.56	1.97	0.97	0.91	0.97	0.91
Note: Interrupts A & B for Metering, Blocking, or Load Holding. See 203 for reverse flow direction.										
205	C102	1.58	1.93	3.93	0.56	1.92	0.87	0.60	0.87	0.61
Note: A & B to T for Unloading, Flow Control, Metering, or Relief.										

For schematics 201 - 205, a cavity plug may be required for single-cavity function.

Technical Information

Relief Valves

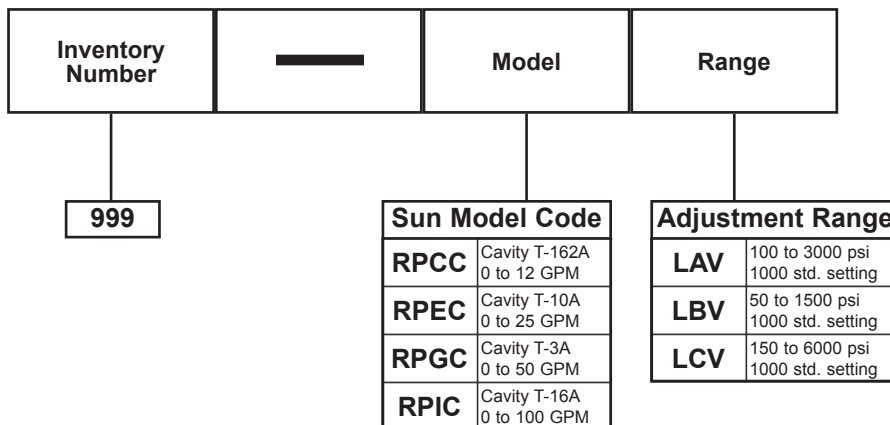


Valve	A max.	B	C hex
RPCC	2.11 [53.6]	1.22 [31.0]	0.75 [19.1]
RPEC	2.00 [50.8]	1.56 [39.7]	0.88 [22.2]
RPGC	2.12 [54.0]	1.88 [47.6]	1.12 [28.6]
RPIC	2.44 [61.9]	2.44 [61.9]	1.25 [31.8]

Sun Valve Application Chart			
Manifolds		Subplates	
*D02P****/S	RPCC-L*V	*D03SPRVS***	RPEC-L*V
*D02S****/S	RPCC-L*V	*D03SPCRS***	RPEC-L*V
*D03P****/S	RPEC-L*V	*D05SPRVS8*	RPEC-L*V
*D03HP****/S	RPGC-L*V	*D05SPCRS8*	RPEC-L*V
*D03S****/S	RPEC-L*V		
*D05P****/S	RPGC-L*V	*D05HSPRVS12*	RPGC-L*V
*D05HP****/S	RPGC-L*V	*D05HSPCRS12*	RPGC-L*V
*D05JP****/S	RPIC-L*V	*D05JSPRVS16*	RPIC-L*V
*D05S02**/S	RPGC-L*V	*D05JSPCRS16*	RPIC-L*V
*D07P****/S	RPGC-L*V	*D07SPRVS12*	RPGC-L*V
*D07HP****/S	RPIC-L*V	*D07HSPRV16*	RPIC-L*V
*D08P****/S	RPGC-L*V	*D08SPRVS16*	RPGC-L*V
*D08HP****/S	RPIC-L*V	*D08SPRVS20*	RPIC-L*V

Note: Any technical or performance questions should be addressed to Sun or one of their authorized distributors.

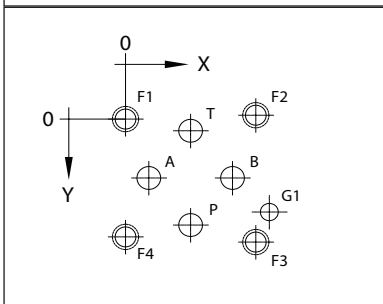
Ordering Information



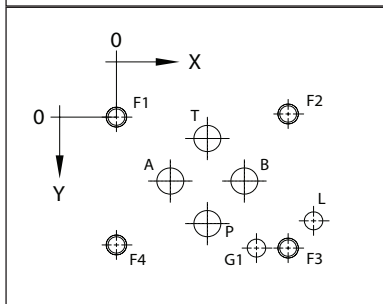
Directional Valve Patterns

These drawings are for reference only. Please consult the appropriate standard when dimensions are critical. Dimensions may vary on our products. It should not be assumed that each hole shown is found on a given product.

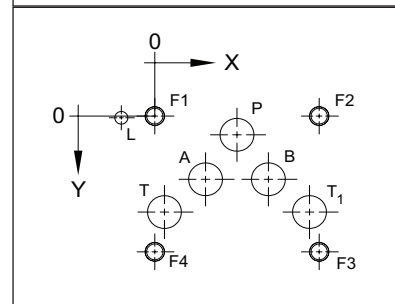
D02 ISO 4401-02-01-0-05
NFPA T3.5.1 R2-2002 D02



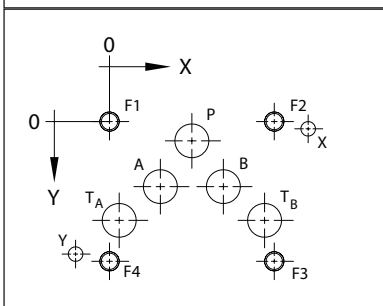
D03 ISO 4401-03-02-0-05
NFPA T3.5.1 R2-2002 D03



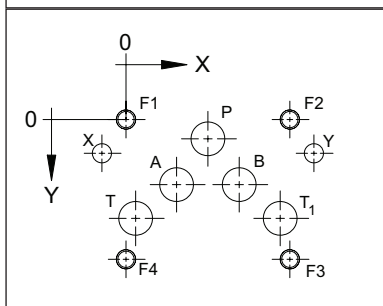
D05 ISO 4401-05-04-0-05
NFPA T3.5.1 R2-2002 D05



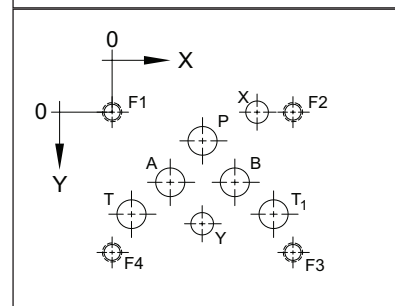
D05H NFPA T3.5.1 R2-2002
D05 - Alternative B



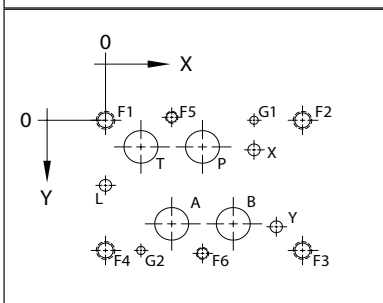
D05HE ISO 4401-05-05-0-05
NFPA T3.5.1 R2-2002 D05 - Alternative A



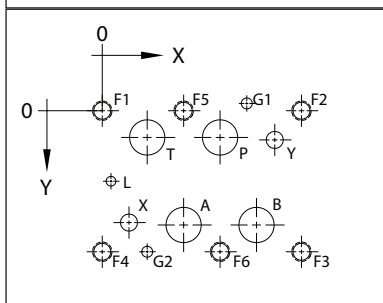
D06 NFPA T3.5.1 R2-2002 D06



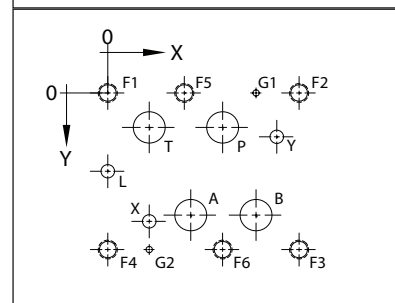
D07 ISO 4401-07-07-0-05
NFPA T3.5.1 R2-2002 D07



D08 ISO 4401-08-08-0-05
NFPA T3.5.1 R2-2002 D08



D10 ISO 4401-10-09-0-05
NFPA T3.5.1 R2-2002 D10

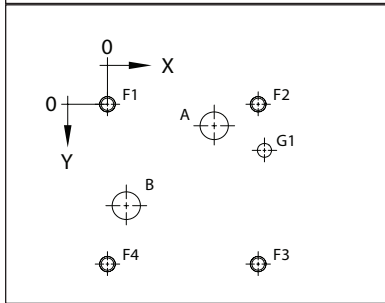


Pattern	Axis	P	A	T	T ₁	B	X	Y	L	F1	F2	F3	F4	F5	F6	G1	G2
D02	X	0.472 [12.0]	0.169 [4.3]	0.472 [12.0]	--	0.776 [19.7]	--	--	--	0 [0]	0.945 [24.0]	0.945 [24.0]	0 [0]	--	--	1.043 [26.5]	--
	Y	0.797 [20.25]	0.443 [11.25]	0.089 [2.25]	--	0.443 [11.25]	--	--	--	0 [0]	-0.030 [-0.75]	0.915 [23.25]	0.886 [22.5]	--	--	0.699 [17.75]	--
	φ (max)	0.177 [4.5]	0.177 [4.5]	0.177 [4.5]	--	0.177 [4.5]	--	--	--	--	#10-24 M5	#10-24 M5	#10-24 M5	#10-24 M5	--	--	0.134 [3.4]
D03	X	0.847 [21.5]	0.500 [12.7]	0.847 [21.5]	--	1.189 [30.2]	--	--	1.831 [46.5]	0 [0]	1.595 [40.5]	1.595 [40.5]	0 [0]	--	--	1.299 [33.0]	--
	Y	1.020 [25.9]	0.610 [15.5]	0.201 [5.1]	--	0.610 [15.5]	--	--	0.988 [25.1]	0 [0]	-0.030 [-0.75]	1.250 [31.75]	1.221 [31.0]	--	--	1.250 [31.75]	--
	φ (max)	0.295 [7.5]	0.295 [7.5]	0.295 [7.5]	--	0.295 [7.5]	--	--	0.158 [4.0]	#10-24 M5	#10-24 M5	#10-24 M5	#10-24 M5	--	--	0.158 [4.0]	--
D05	X	1.063 [27.0]	0.658 [16.7]	0.126 [3.2]	2.000 [50.8]	1.469 [37.3]	--	--	-0.433 [-11.0]	0 [0]	2.126 [54.0]	2.126 [54.0]	0 [0]	--	--	--	--
	Y	0.248 [6.3]	0.843 [21.4]	1.280 [32.5]	1.280 [32.5]	0.843 [21.4]	--	--	0.020 [0.5]	0 [0]	0 [0]	1.811 [46.0]	1.811 [46.0]	--	--	--	--
	φ (max)	0.441 [11.2]	0.441 [11.2]	0.441 [11.2]	0.441 [11.2]	0.441 [11.2]	--	--	0.177 [4.5]	.25-20 M6	.25-20 M6	.25-20 M6	.25-20 M6	--	--	--	--
D05H	X	1.063 [27.0]	0.658 [16.7]	0.126 [3.2]	2.000 [50.8]	1.469 [37.3]	2.563 [65.1]	-0.441 [-11.2]	--	0 [0]	2.126 [54.0]	2.126 [54.0]	0 [0]	--	--	--	--
	Y	0.248 [6.3]	0.843 [21.4]	1.280 [32.5]	1.280 [32.5]	0.843 [21.4]	0.095 [2.4]	1.721 [43.7]	--	0 [0]	0 [0]	1.811 [46.0]	1.811 [46.0]	--	--	--	--
	φ (max)	0.441 [11.2]	0.441 [11.2]	0.441 [11.2]	0.441 [11.2]	0.441 [11.2]	0.189 [4.8]	0.189 [4.8]	--	.25-20 M6	.25-20 M6	.25-20 M6	.25-20 M6	--	--	--	--
D05HE	X	1.063 [27.0]	0.658 [16.7]	0.126 [3.2]	2.000 [50.8]	1.469 [37.3]	-0.315 [-8.0]	2.441 [62.0]	--	0 [0]	2.126 [54.0]	2.126 [54.0]	0 [0]	--	--	--	--
	Y	0.248 [6.3]	0.843 [21.4]	1.280 [32.5]	1.280 [32.5]	0.843 [21.4]	0.433 [11.0]	0.433 [11.0]	--	0 [0]	0 [0]	1.811 [46.0]	1.811 [46.0]	--	--	--	--
	φ (max)	0.441 [11.2]	0.441 [11.2]	0.441 [11.2]	0.441 [11.2]	0.441 [11.2]	0.248 [6.3]	0.248 [6.3]	--	.25-20 M6	.25-20 M6	.25-20 M6	.25-20 M6	--	--	--	--
D06	X	1.750 [44.45]	1.120 [28.45]	0.380 [9.65]	3.120 [79.25]	2.380 [60.45]	2.811 [71.4]	1.750 [44.45]	--	0 [0]	3.500 [88.9]	3.500 [88.9]	0 [0]	--	--	--	--
	Y	0.561 [14.25]	1.380 [35.05]	2.000 [50.8]	2.000 [50.8]	1.380 [35.05]	0 [0]	2.180 [55.37]	--	0 [0]	0 [0]	2.750 [69.85]	2.750 [69.85]	--	--	--	--
	φ (max)	0.579 [14.7]	0.579 [14.7]	0.579 [14.7]	0.579 [14.7]	0.579 [14.7]	0.441 [11.2]	0.441 [11.2]	--	.38-16 M10	.38-16 M10	.38-16 M10	.38-16 M10	--	--	--	--
D07	X	1.969 [50.0]	1.343 [34.1]	0.721 [18.3]	--	2.595 [65.9]	3.016 [76.6]	3.469 [88.1]	0 [0]	0 [0]	4.000 [101.6]	4.000 [101.6]	0 [0]	1.343 [34.1]	1.969 [50.0]	3.016 [76.6]	0.721 [18.3]
	Y	0.563 [14.3]	2.189 [55.6]	0.563 [14.3]	--	2.189 [55.6]	0.626 [15.9]	2.252 [57.2]	1.374 [34.9]	0 [0]	0 [0]	2.752 [69.9]	2.752 [69.9]	-0.063 [-1.6]	2.815 [71.5]	0 [0]	2.752 [69.9]
	φ (max)	0.689 [17.5]	0.689 [17.5]	0.689 [17.5]	--	0.689 [17.5]	0.248 [6.3]	0.248 [6.3]	0.248 [6.3]	.38-16 M10	.38-16 M10	.38-16 M10	.38-16 M10	.25-20 M6	.25-20 M6	0.158 [4.0]	0.158 [4.0]
D08	X	3.032 [77.0]	2.095 [53.2]	1.158 [29.4]	--	3.969 [100.8]	0.689 [17.5]	4.437 [112.7]	0.221 [5.6]	0 [0]	5.126 [130.2]	5.126 [130.2]	0 [0]	2.095 [53.2]	3.032 [77.0]	3.721 [94.5]	1.158 [29.4]
	Y	0.689 [17.5]	2.937 [74.6]	0.689 [17.5]	--	2.937 [74.6]	2.874 [73.0]	0.748 [19.0]	1.811 [46.0]	0 [0]	0 [0]	3.626 [92.1]	3.626 [92.1]	0 [0]	3.626 [92.1]	-0.189 [-4.8]	3.626 [92.1]
	φ (max)	0.984 [25.0]	0.984 [25.0]	0.984 [25.0]	--	0.984 [25.0]	0.441 [11.2]	0.441 [11.2]	0.441 [11.2]	.50-13 M12	.50-13 M12	.50-13 M12	.50-13 M12	.50-13 M12	.50-13 M12	0.295 [7.5]	0.295 [7.5]
D10	X	4.500 [114.3]	3.248 [82.5]	1.626 [41.3]	--	5.811 [147.6]	1.626 [41.3]	6.626 [168.3]	0 [0]	0 [0]	7.500 [190.5]	7.500 [190.5]	0 [0]	3.000 [76.2]	4.500 [114.3]	5.457 [138.6]	1.626 [41.3]
	Y	1.378 [35.0]	4.874 [123.8]	1.378 [35.0]	--	4.874 [123.8]	5.126 [130.2]	1.752 [44.5]	3.126 [79.4]	0 [0]	0 [0]	6.252 [158.8]	6.252 [158.8]	0 [0]	6.252 [158.8]	0 [0]	6.252 [158.8]
	φ (max)	1.260 [32.0]	1.260 [32.0]	1.260 [32.0]	--	1.260 [32.0]	0.441 [11.2]	0.441 [11.2]	0.441 [11.2]	.75-10 M20	.75-10 M20	.75-10 M20	.75-10 M20	.75-10 M20	.75-10 M20	0.295 [7.5]	0.295 [7.5]

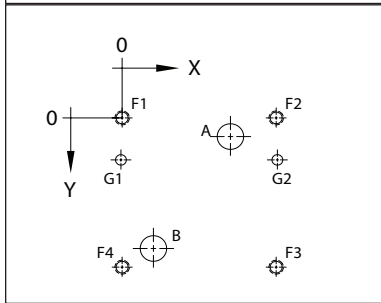
Non-Directional Valve Patterns

These drawings are for reference only. Please consult the appropriate standard when dimensions are critical. Dimensions may vary on our products. It should not be assumed that each hole shown is found on a given product.

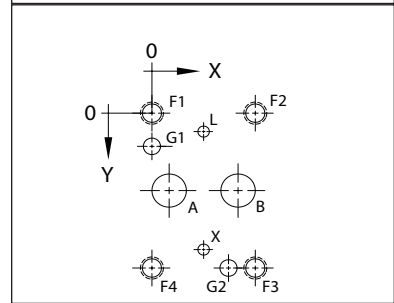
2F06 ISO 6263-06-05-*⁻⁹⁷
NFPA T3.5.1 R2-2002 2F06



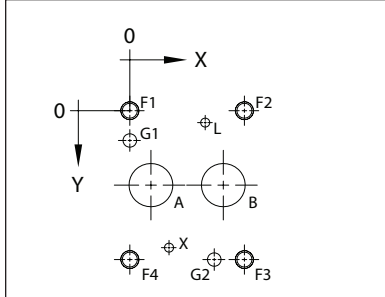
2F07 ISO 6263-07-09-*⁻⁹⁷
NFPA T3.5.1 R2-2002 2F07



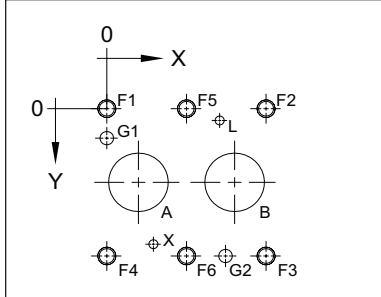
P06 ISO 6264-06-07-*⁻⁹⁷
ISO 5781-06-07-0-00
NFPA T3.5.1 R2-2002 P06



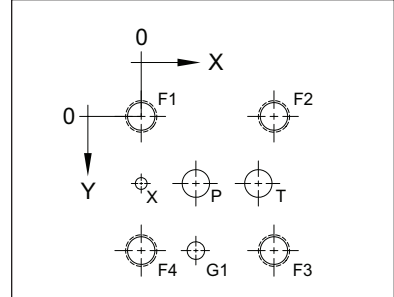
P08 ISO 6264-08-11-*⁻⁹⁷
ISO 5781-08-10-0-00
NFPA T3.5.1 R2-2002 P08



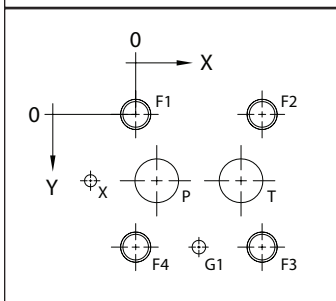
P10 ISO 6264-10-15-*⁻⁹⁷
ISO 5781-10-13-0-00
NFPA T3.5.1 R2-2002 P10



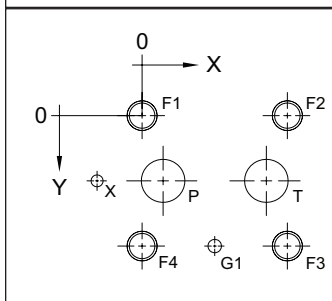
R06 ISO 6264-06-09-*⁻⁹⁷
(I06) NFPA T3.5.1 R2-2002 R06



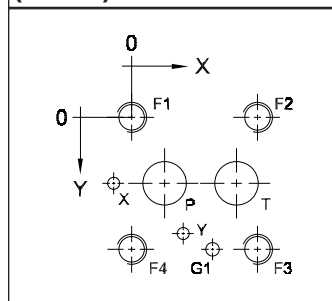
R08 ISO 6264-08-13-*⁻⁹⁷
NFPA T3.5.1 R2-2002 R08



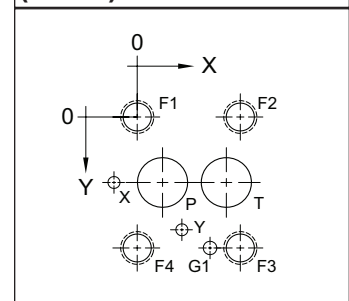
R10 ISO 6264-10-17-*⁻⁹⁷
NFPA T3.5.1 R2-2002 R10



I08 NFPA T3.5.1-
(RV08) R2-2002 RV08



I10 NFPA T3.5.1-
(RV10) R2-2002 RV10



Pattern	Axis	A	B	P	T	X	L	F1	F2	F3	F4	F5	F6	G1	G2
2F06	X	2.126 [54.0]	0.374 [9.5]	--	--	--	--	0 [0]	3.000 [76.2]	3.000 [76.2]	0 [0]	--	--	3.126 [79.4]	--
	Y	0.437 [11.1]	2.063 [52.4]	--	--	--	--	0 [0]	0 [0]	3.252 [82.6]	3.252 [82.6]	--	--	0.937 [23.8]	--
	φ (max)	0.579 [14.7]	0.579 [14.7]	--	--	--	--	.31-18 M8	.31-18 M8	.31-18 M8	.31-18 M8	--	--	0.295 [7.5]	--
2F07	X	2.953 [75.0]	0.811 [20.6]	--	--	--	--	0 [0]	4.000 [101.6]	4.000 [101.6]	0 [0]	--	--	-0.032 [-0.8]	4.032 [102.4]
	Y	0.437 [11.1]	3.406 [86.5]	--	--	--	--	0 [0]	0 [0]	4.000 [101.6]	4.000 [101.6]	--	--	1.126 [28.6]	1.126 [28.6]
	φ (max)	0.689 [17.5]	0.689 [17.5]	--	--	--	--	.38-16 M10	.38-16 M10	.38-16 M10	.38-16 M10	--	--	0.409 [10.4]	0.409 [10.4]
P06	X	0.280 [7.1]	1.406 [35.7]	--	--	0.843 [21.4]	0.843 [21.4]	0 [0]	1.689 [42.9]	1.689 [42.9]	0 [0]	--	--	0 [0]	1.252 [31.8]
	Y	1.311 [33.3]	1.311 [33.3]	--	--	2.311 [58.7]	0.311 [7.9]	0 [0]	0 [0]	2.626 [66.7]	2.626 [66.7]	--	--	0.563 [14.3]	2.626 [66.7]
	φ (max)	0.579 [14.7]	0.579 [14.7]	--	--	0.189 [4.8]	0.189 [4.8]	.38-16 M10	.38-16 M10	.38-16 M10	.38-16 M10	--	--	0.295 [7.5]	0.295 [7.5]
P08	X	0.437 [11.1]	1.937 [49.2]	--	--	0.819 [20.8]	1.563 [39.7]	0 [0]	2.374 [60.3]	2.374 [60.3]	0 [0]	--	--	0 [0]	1.752 [44.5]
	Y	1.563 [39.7]	1.563 [39.7]	--	--	2.874 [73.0]	0.252 [6.4]	0 [0]	0 [0]	3.126 [79.4]	3.126 [79.4]	--	--	0.626 [15.9]	3.126 [79.4]
	φ (max)	0.921 [23.4]	0.921 [23.4]	--	--	0.189 [4.8]	0.189 [4.8]	.38-16 M10	.38-16 M10	.38-16 M10	.38-16 M10	--	--	0.295 [7.5]	0.295 [7.5]
P10	X	0.658 [16.7]	2.658 [67.5]	--	--	0.969 [24.6]	2.347 [59.6]	0 [0]	3.311 [84.1]	3.311 [84.1]	0 [0]	1.658 [42.1]	1.658 [42.1]	0 [0]	2.469 [62.7]
	Y	1.906 [48.4]	1.906 [48.4]	--	--	3.658 [92.9]	0.158 [4.0]	0 [0]	0 [0]	3.811 [96.8]	3.811 [96.8]	0 [0]	3.811 [96.8]	0.843 [21.4]	3.811 [96.8]
	φ (max)	1.260 [32.0]	1.260 [32.0]	--	--	0.189 [4.8]	0.189 [4.8]	.38-16 M10	.38-16 M10	.38-16 M10	.38-16 M10	.38-16 M10	.38-16 M10	0.295 [7.5]	0.295 [7.5]
R06 (I06)	X	--	--	0.870 [22.1]	1.870 [47.5]	0 [0]	--	0 [0]	2.118 [53.8]	2.118 [53.8]	0 [0]	--	--	0.870 [22.1]	--
	Y	--	--	1.059 [26.9]	1.059 [26.9]	1.059 [26.9]	--	0 [0]	0 [0]	2.118 [53.8]	2.118 [53.8]	--	--	2.118 [53.8]	--
	φ (max)	--	--	0.579 [14.7]	0.579 [14.7]	0.189 [4.8]	--	.50-13 M12	.50-13 M12	.50-13 M12	.50-13 M12	--	--	0.295 [7.5]	--
R08	X	--	--	0.437 [11.1]	2.189 [55.6]	-0.937 [-23.8]	--	0 [0]	2.626 [66.7]	2.626 [66.7]	0 [0]	--	--	1.315 [33.4]	--
	Y	--	--	1.378 [35.0]	1.378 [35.0]	1.378 [35.0]	--	0 [0]	0 [0]	2.756 [70.0]	2.756 [70.0]	--	--	2.756 [70.0]	--
	φ (max)	--	--	0.921 [23.4]	0.921 [23.4]	0.248 [6.3]	--	.63-11 M16	.63-11 M16	.63-11 M16	.63-11 M16	--	--	0.295 [7.5]	--
R10	X	--	--	0.500 [12.7]	3.000 [76.2]	-1.252 [-31.8]	--	0 [0]	3.500 [88.9]	3.500 [88.9]	0 [0]	--	--	1.752 [44.5]	--
	Y	--	--	1.626 [41.3]	1.626 [41.3]	1.626 [41.3]	--	0 [0]	0 [0]	3.252 [82.6]	3.252 [82.6]	--	--	3.252 [82.6]	--
	φ (max)	--	--	1.260 [32.0]	1.260 [32.0]	0.248 [6.3]	--	.75-10 M18	.75-10 M18	.75-10 M18	.75-10 M18	--	--	0.295 [7.5]	--
I08 (RV08)	X	--	--	0.689 [17.5]	2.189 [55.6]	-0.374 [-9.5]	1.441 [36.6]	0 [0]	2.626 [66.7]	2.626 [66.7]	0 [0]	--	--	1.689 [42.9]	--
	Y	--	--	1.378 [35.0]	1.378 [35.0]	1.378 [35.0]	2.248 [57.1]	0 [0]	0 [0]	2.756 [70.0]	2.756 [70.0]	--	--	2.756 [70.0]	--
	φ (max)	--	--	0.921 [23.4]	0.921 [23.4]	0.248 [6.3]	0.248 [6.3]	.63-11 M16	.63-11 M16	.63-11 M16	.63-11 M16	--	--	0.295 [7.5]	--
I10 (RV10)	X	--	--	0.563 [14.3]	2.311 [58.7]	-0.626 [-15.9]	1.248 [31.8]	0 [0]	2.626 [66.7]	2.626 [66.7]	0 [0]	--	--	2.000 [50.8]	--
	Y	--	--	1.811 [46.0]	1.811 [46.0]	1.811 [46.0]	3.185 [80.9]	0 [0]	0 [0]	3.626 [92.1]	3.626 [92.1]	--	--	3.626 [92.1]	--
	φ (max)	--	--	1.260 [32.0]	1.260 [32.0]	0.248 [6.3]	0.248 [6.3]	.75-10 M18	.75-10 M18	.75-10 M18	.75-10 M18	--	--	0.295 [7.5]	--

Standard Manifolds

Cover Plates

Valve Adaptors

Subplates

Servo Valve Subplates

Tapping Plates

Cartridge Valve Cavity Bodies

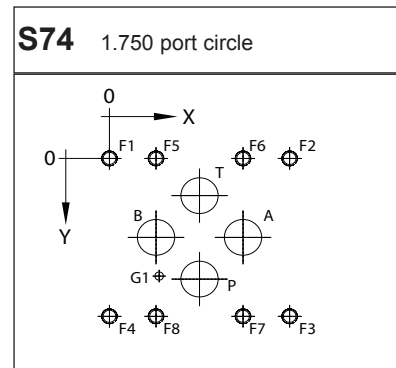
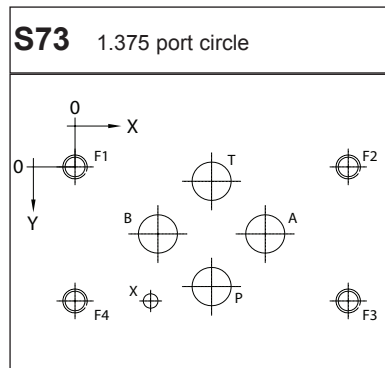
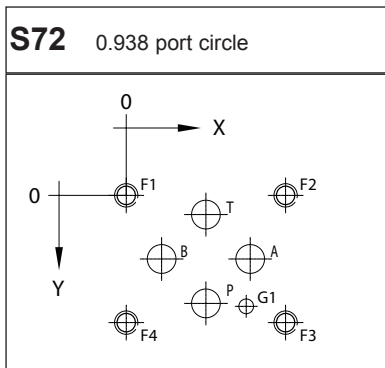
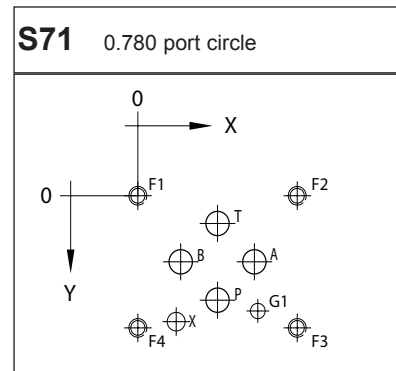
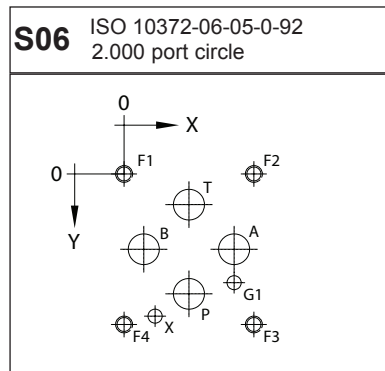
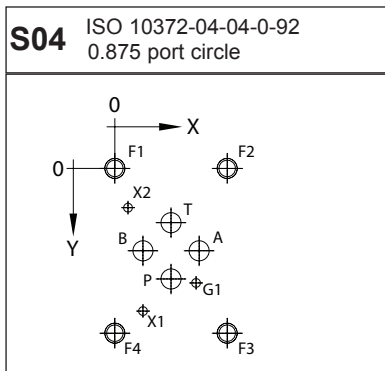
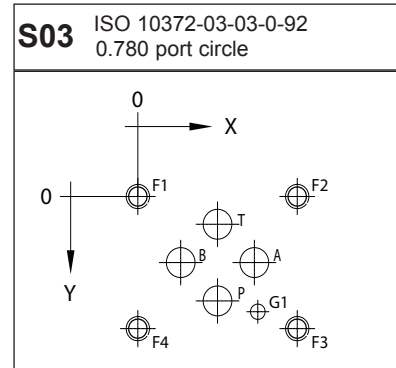
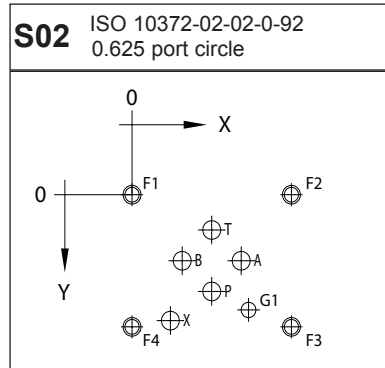
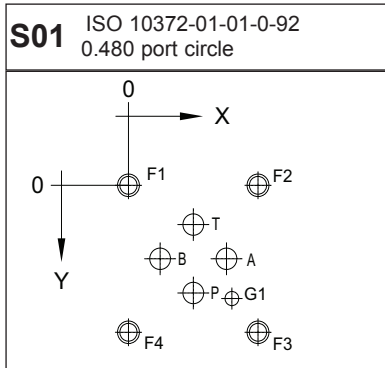
Header and Junction Blocks

Sandwich Modules

Technical Information

Servo Valve Patterns

These drawings are for reference only. Please consult the appropriate standard when dimensions are critical. Dimensions may vary on our products. It should not be assumed that each hole shown is found on a given product.



Servo patterns continued pages 234-239

Pattern	Axis	P	A	T	B	X1	X2	F1	F2	F3	F4	F5	F6	F7	F8	G1
S01	X	0.469 [11.9]	0.709 [18.0]	0.469 [11.9]	0.228 [5.8]	--	--	0 [0]	0.937 [23.8]	0.937 [23.8]	0 [0]	--	--	--	--	0.748 [19.0]
	Y	0.756 [19.2]	0.516 [13.1]	0.276 [7.0]	0.516 [13.1]	--	--	0 [0]	0 [0]	1.032 [26.2]	1.032 [26.2]	--	--	--	--	0.795 [20.2]
	φ (max)	0.150 [3.8]	0.150 [3.8]	0.150 [3.8]	0.150 [3.8]	--	--	#6-32 M4	#6-32 M4	#6-32 M4	#6-32 M4	--	--	--	--	--
S02	X	0.843 [21.4]	1.154 [29.3]	0.843 [21.4]	0.532 [13.5]	0.406 [10.3]	--	0 [0]	1.685 [42.8]	1.685 [42.8]	0 [0]	--	--	--	--	1.232 [31.3]
	Y	0.984 [25.0]	0.673 [17.1]	0.362 [9.2]	0.673 [17.1]	1.283 [32.6]	--	0 [0]	0 [0]	1.347 [34.2]	1.347 [34.2]	--	--	--	--	1.173 [29.8]
	φ (max)	0.197 [5.0]	0.197 [5.0]	0.197 [5.0]	0.197 [5.0]	0.095 [2.4]	--	#10-32 M5	#10-32 M5	#10-32 M5	#10-32 M5	--	--	--	--	--
S03	X	0.843 [21.4]	1.232 [31.3]	0.843 [21.4]	0.453 [11.5]	--	--	0 [0]	1.685 [42.8]	1.685 [42.8]	0 [0]	--	--	--	--	1.232 [31.3]
	Y	1.063 [27.0]	0.673 [17.1]	0.284 [7.2]	0.673 [17.1]	--	--	0 [0]	0 [0]	1.347 [34.2]	1.347 [34.2]	--	--	--	--	1.173 [29.8]
	φ (max)	0.260 [6.6]	0.260 [6.6]	0.260 [6.6]	0.260 [6.6]	--	--	.25-28 M6	.25-28 M6	.25-28 M6	.25-28 M6	--	--	--	--	--
S04	X	0.874 [22.2]	1.311 [33.3]	0.874 [22.2]	0.437 [11.1]	0.437 [11.1]	0.205 [5.2]	0 [0]	1.748 [44.4]	1.748 [44.4]	0 [0]	--	--	--	--	1.264 [32.1]
	Y	1.717 [43.6]	1.280 [32.5]	0.843 [21.4]	1.280 [32.5]	2.217 [56.3]	0.610 [15.5]	0 [0]	0 [0]	2.559 [65.0]	2.559 [65.0]	--	--	--	--	1.780 [45.2]
	φ (max)	0.323 [8.2]	0.323 [8.2]	0.323 [8.2]	0.323 [8.2]	0.197 [5.0]	0.197 [5.0]	.31-18 M8	.31-18 M8	.31-18 M8	.31-18 M8	--	--	--	--	--
S06	X	1.437 [36.5]	2.437 [61.9]	1.437 [36.5]	0.437 [11.1]	0.685 [17.4]	--	0 [0]	2.874 [73.0]	2.874 [73.0]	0 [0]	--	--	--	--	2.437 [61.9]
	Y	2.685 [68.2]	1.685 [42.8]	0.685 [17.4]	1.685 [42.8]	3.189 [81.0]	--	0 [0]	0 [0]	3.370 [85.6]	3.370 [85.6]	--	--	--	--	2.437 [61.9]
	φ (max)	0.630 [16.0]	0.630 [16.0]	0.630 [16.0]	0.630 [16.0]	0.197 [5.0]	--	.38-16 M10	.38-16 M10	.38-16 M10	.38-16 M10	--	--	--	--	--
S71	X	0.843 [21.4]	1.232 [31.2]	0.843 [21.4]	0.453 [11.4]	0.406 [10.3]	--	0 [0]	1.685 [42.8]	1.685 [42.8]	0 [0]	--	--	--	--	1.232 [31.3]
	Y	1.063 [27.0]	0.673 [17.1]	0.284 [7.2]	0.673 [17.1]	1.284 [32.6]	--	0 [0]	0 [0]	1.347 [34.2]	1.347 [34.2]	--	--	--	--	1.173 [29.8]
	φ (max)	0.260 [6.6]	0.260 [6.6]	0.260 [6.6]	0.260 [6.6]	0.095 [2.4]	--	#10-32 M5	#10-32 M5	#10-32 M5	#10-32 M5	--	--	--	--	--
S72	X	0.843 [21.4]	1.311 [33.3]	0.843 [21.4]	0.374 [9.5]	--	--	0 [0]	1.685 [42.8]	1.685 [42.8]	0 [0]	--	--	--	--	1.232 [31.3]
	Y	1.142 [29.0]	0.673 [17.1]	0.205 [5.2]	0.673 [17.1]	--	--	0 [0]	0 [0]	1.347 [34.2]	1.347 [34.2]	--	--	--	--	1.173 [29.8]
	φ (max)	0.315 [8.0]	0.315 [8.0]	0.315 [8.0]	0.315 [8.0]	--	--	.25-20 M6	.25-20 M6	.25-20 M6	.25-20 M6	--	--	--	--	--
S73	X	1.750 [44.5]	2.438 [61.9]	1.750 [44.5]	1.062 [27.0]	0.970 [24.6]	--	0 [0]	3.500 [88.9]	3.500 [88.9]	0 [0]	--	--	--	--	--
	Y	1.563 [39.7]	0.875 [22.3]	0.188 [4.8]	0.875 [22.3]	1.750 [44.5]	--	0 [0]	0 [0]	1.750 [44.5]	1.750 [44.5]	--	--	--	--	--
	φ (max)	0.500 [12.7]	0.500 [12.7]	0.500 [12.7]	0.500 [12.7]	0.094 [2.4]	--	.31-18 M8	.31-18 M8	.31-18 M8	.31-18 M8	--	--	--	--	--
S74	X	1.813 [46.1]	2.688 [68.3]	1.813 [46.1]	0.938 [23.8]	--	--	0 [0]	3.625 [92.1]	3.625 [92.1]	0 [0]	0.938 [23.8]	2.688 [68.3]	2.688 [68.3]	0.938 [23.8]	1.000 [25.4]
	Y	2.531 [64.3]	1.656 [42.1]	0.781 [19.8]	1.656 [42.1]	--	--	0 [0]	0 [0]	3.313 [84.2]	3.313 [84.2]	0 [0]	0 [0]	3.313 [84.2]	3.313 [84.2]	2.469 [62.7]
	φ (max)	0.750 [19.1]	0.750 [19.1]	0.750 [19.1]	0.750 [19.1]	--	--	.31-24 M8	.31-24 M8	.31-24 M8	.31-24 M8	.31-24 M8	.31-24 M8	.31-24 M8	.31-24 M8	.31-24 M8

Standard Manifolds

Cover Plates

Valve Adaptors

Subplates

Servo Valve Subplates

Tapping Plates

Cartridge Valve Cavities

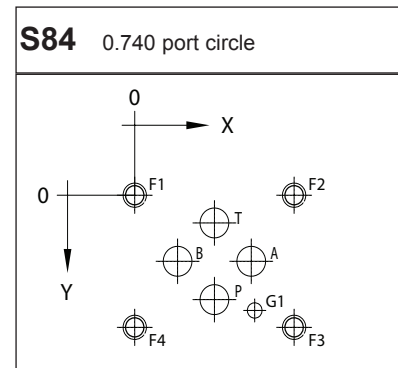
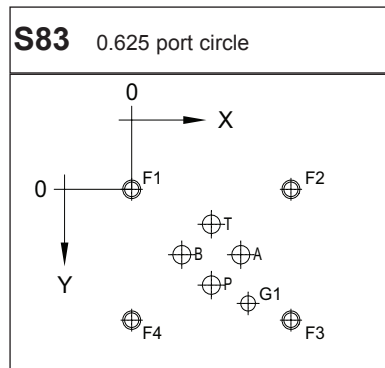
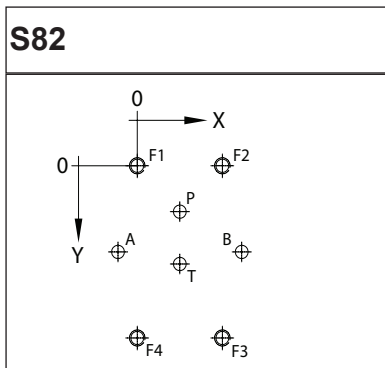
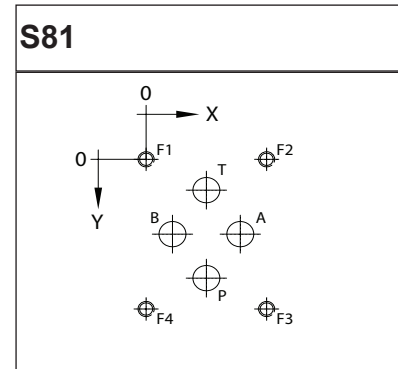
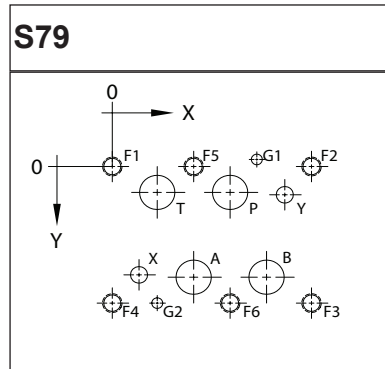
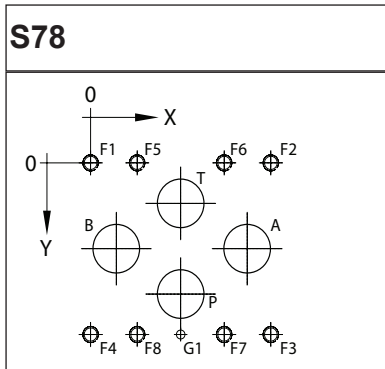
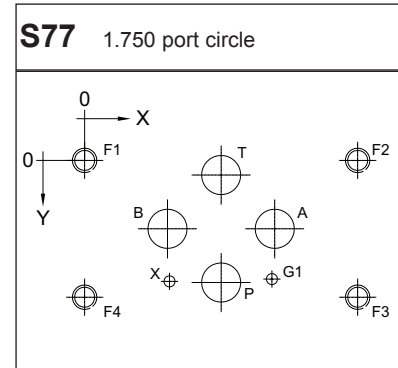
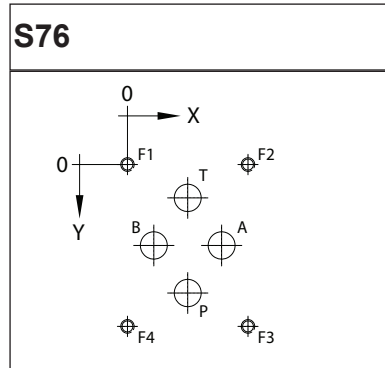
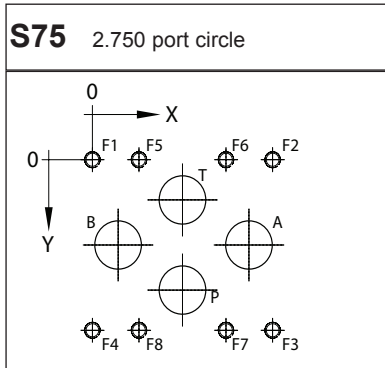
Header and Junction Blocks

Sandwich Modules

Technical Information

Servo Valve Patterns

These drawings are for reference only. Please consult the appropriate standard when dimensions are critical. Dimensions may vary on our products. It should not be assumed that each hole shown is found on a given product.



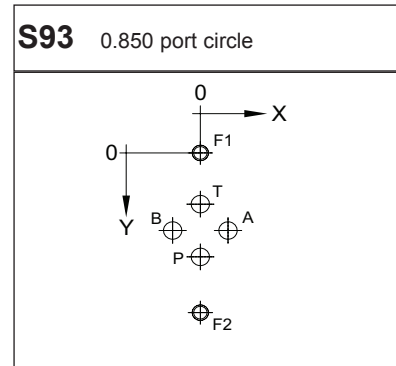
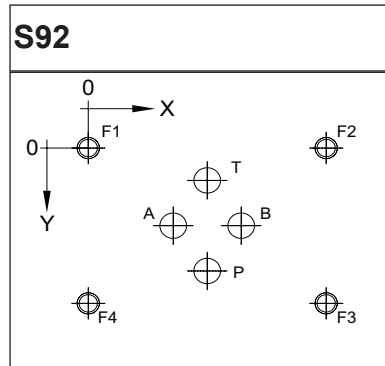
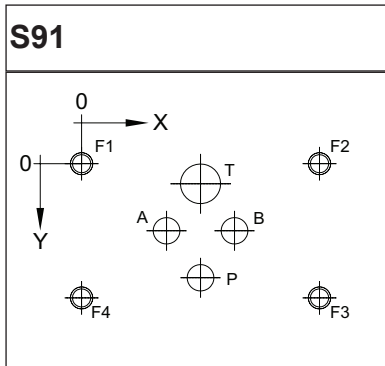
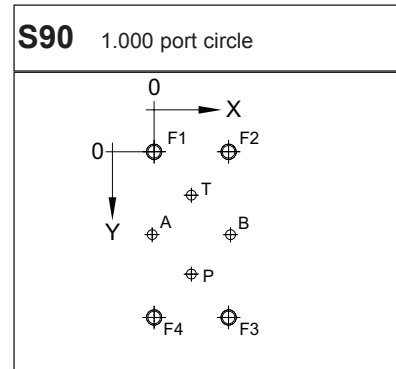
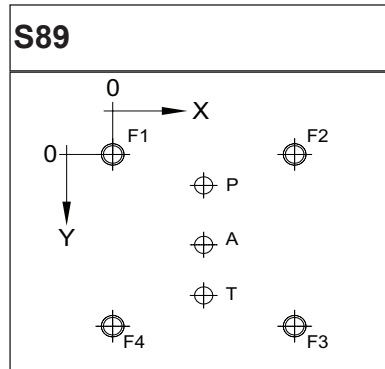
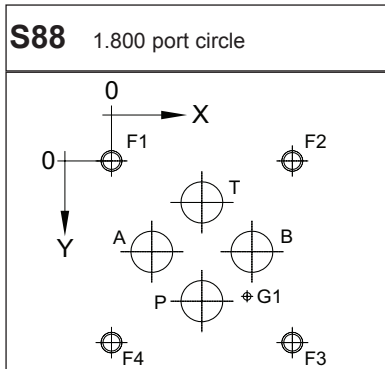
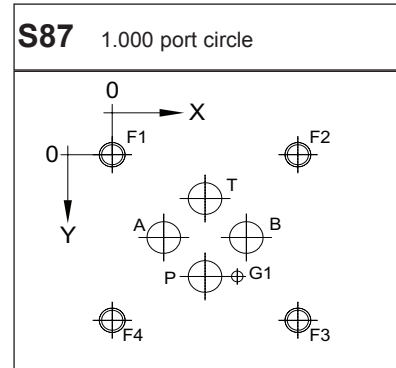
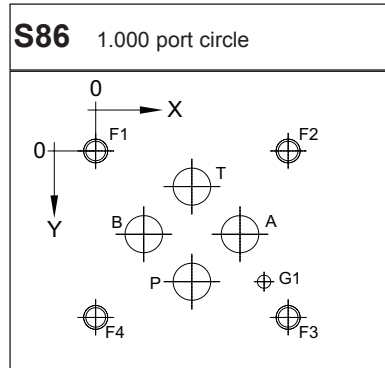
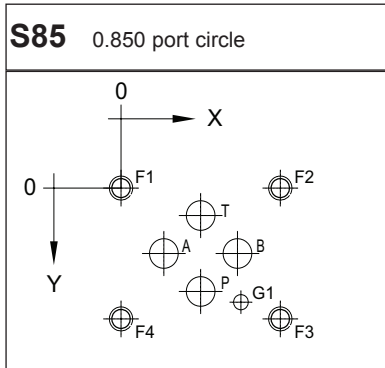
Servo patterns continued pages 236-239

Pattern	Axis	P	A	T	B	X	Y	F1	F2	F3	F4	F5	F6	F7	F8	G1	G2
S75	X	2.000 [50.8]	3.375 [85.7]	2.000 [50.8]	0.625 [15.9]	--	--	0 [0]	4.000 [101.6]	4.000 [101.6]	0 [0]	1.000 [25.4]	3.000 [76.2]	3.000 [76.2]	1.000 [25.4]	--	--
	Y	3.625 [92.1]	2.250 [57.2]	0.875 [22.2]	2.250 [57.2]	--	--	0 [0]	0 [0]	4.500 [114.3]	4.500 [114.3]	0 [0]	0 [0]	4.500 [114.3]	4.500 [114.3]	--	--
	φ (max)	1.000 [25.4]	1.000 [25.4]	1.000 [25.4]	1.000 [25.4]	--	--	.50-13 M12	.50-13 M12	.50-13 M12	.50-13 M12	.50-13 M12	.50-13 M12	.50-13 M12	.50-13 M12	.50-13 M12	--
S76	X	1.120 [28.5]	1.750 [44.5]	1.120 [28.5]	0.490 [12.5]	--	--	0 [0]	2.240 [56.9]	2.240 [56.9]	0 [0]	--	--	--	--	--	--
	Y	2.357 [59.9]	1.483 [37.6]	0.610 [15.5]	1.483 [37.6]	--	--	0 [0]	0 [0]	2.967 [75.4]	2.967 [75.4]	--	--	--	--	--	--
	φ (max)	0.500 [12.7]	0.500 [12.7]	0.500 [12.7]	0.500 [12.7]	--	--	.25-20 M6	.25-20 M6	.25-20 M6	.25-20 M6	--	--	--	--	--	--
S77	X	1.813 [46.0]	2.688 [68.3]	1.813 [46.0]	0.937 [23.8]	1.025 [26.0]	--	0 [0]	3.625 [92.1]	3.625 [92.1]	0 [0]	--	--	--	--	2.625 [66.7]	--
	Y	2.063 [52.4]	1.187 [30.2]	0.312 [7.9]	1.187 [30.2]	2.054 [52.2]	--	0 [0]	0 [0]	2.375 [60.3]	2.375 [60.3]	--	--	--	--	2.000 [50.8]	--
	φ (max)	0.625 [15.9]	0.625 [15.9]	0.625 [15.9]	0.625 [15.9]	0.125 [3.2]	--	.31-18 M8	.31-18 M8	.31-18 M8	.31-18 M8	--	--	--	--	0.157 [4.0]	--
S78	X	2.181 [55.4]	3.741 [95.0]	2.181 [55.4]	0.621 [15.8]	--	--	0 [0]	4.362 [110.8]	4.362 [110.8]	0 [0]	1.241 [31.5]	3.121 [79.3]	3.121 [79.3]	1.241 [31.5]	2.181 [55.4]	--
	Y	3.435 [87.2]	2.310 [58.7]	1.185 [30.1]	2.310 [58.7]	--	--	0 [0]	0 [0]	4.620 [117.3]	4.620 [117.3]	0 [0]	0 [0]	4.620 [117.3]	4.620 [117.3]	4.620 [117.3]	--
	φ (max)	1.125 [28.6]	1.125 [28.6]	1.125 [28.6]	1.125 [28.6]	--	--	.62-11 M16	.62-11 M16	.62-11 M16	.62-11 M16	.62-11 M16	.62-11 M16	.62-11 M16	.62-11 M16	.62-11 M16	0.313 [7.9]
S79	X	3.031 [77.0]	2.094 [53.2]	1.157 [29.4]	3.969 [100.8]	0.689 [17.5]	4.437 [112.7]	0 [0]	5.126 [130.2]	5.126 [130.2]	0 [0]	2.094 [53.2]	3.031 [77.0]	--	--	3.720 [94.5]	1.157 [29.4]
	Y	0.689 [17.5]	2.937 [74.6]	0.689 [17.5]	2.937 [74.6]	2.874 [73.0]	0.748 [19.0]	0 [0]	0 [0]	3.626 [92.1]	3.626 [92.1]	0 [0]	3.626 [92.1]	--	--	-0.189 [-4.8]	3.626 [92.1]
	φ (max)	0.984 [25.0]	0.984 [25.0]	0.984 [25.0]	0.984 [25.0]	0.441 [11.2]	0.441 [11.2]	.44-14 M12	.44-14 M12	.44-14 M12	.44-14 M12	.44-14 M12	.44-14 M12	--	--	0.295 [7.5]	0.295 [7.5]
S81	X	1.120 [28.4]	1.750 [44.5]	1.120 [28.4]	0.490 [12.4]	--	--	0 [0]	2.240 [56.9]	2.240 [56.9]	0 [0]	--	--	--	--	--	--
	Y	2.375 [60.3]	1.500 [38.1]	0.625 [15.9]	1.500 [38.1]	--	--	0 [0]	0 [0]	3.000 [76.2]	3.000 [76.2]	--	--	--	--	--	--
	φ (max)	0.500 [12.7]	0.500 [12.7]	0.500 [12.7]	0.500 [12.7]	--	--	.31-18 M8	.31-18 M8	.31-18 M8	.31-18 M8	--	--	--	--	--	--
S82	X	0.433 [11.0]	-0.197 [-5.0]	0.433 [11.0]	1.063 [27.0]	--	--	0 [0]	0.866 [22.0]	0.866 [22.0]	0 [0]	--	--	--	--	--	--
	Y	0.449 [11.4]	0.843 [21.4]	0.961 [24.4]	0.843 [21.4]	--	--	0 [0]	0 [0]	1.677 [42.6]	1.677 [42.6]	--	--	--	--	--	--
	φ (max)	0.130 [3.3]	0.130 [3.3]	0.130 [3.3]	0.130 [3.3]	--	--	M4 M4	M4 M4	M4 M4	M4 M4	--	--	--	--	--	--
S83	X	0.843 [21.4]	1.154 [29.3]	0.843 [21.4]	0.531 [13.5]	--	--	0 [0]	1.685 [42.8]	1.685 [42.8]	0 [0]	--	--	--	--	1.232 [31.3]	--
	Y	0.984 [25.0]	0.673 [17.1]	0.358 [9.1]	0.673 [17.1]	--	--	0 [0]	0 [0]	1.347 [34.2]	1.347 [34.2]	--	--	--	--	1.173 [29.8]	--
	φ (max)	0.191 [4.85]	0.191 [4.85]	0.191 [4.85]	0.191 [4.85]	--	--	.25-20 M6	.25-20 M6	.25-20 M6	.25-20 M6	--	--	--	--	0.138 [3.5]	--
S84	X	0.844 [21.4]	1.214 [30.8]	0.844 [21.4]	0.474 [12.0]	--	--	0 [0]	1.685 [42.8]	1.685 [42.8]	0 [0]	--	--	--	--	--	--
	Y	1.042 [26.5]	0.672 [17.1]	0.302 [7.67]	0.672 [17.1]	--	--	0 [0]	0 [0]	1.347 [34.2]	1.347 [34.2]	--	--	--	--	--	--
	φ (max)	0.260 [6.6]	0.260 [6.6]	0.260 [6.6]	0.260 [6.6]	--	--	#10-32 M5	#10-32 M5	#10-32 M5	#10-32 M5	--	--	--	--	--	--

Standard Manifolds
Cover Plates
Valve Adaptors
Subplates
Servo Valve Subplates
Tapping Plates
Cartridge Valve Bodies
Header and Junction Blocks
Sandwich Modules

Servo Valve Patterns

These drawings are for reference only. Please consult the appropriate standard when dimensions are critical. Dimensions may vary on our products. It should not be assumed that each hole shown is found on a given product.



Servo patterns continued pages 238-239

Pattern	Axis	P	A	T	B	X	Y	F1	F2	F3	F4	F5	F6	F7	F8	G1	G2
S85	X	0.843 [21.4]	0.418 [10.6]	0.843 [21.4]	1.268 [32.2]	--	--	0 [0]	1.685 [42.8]	1.685 [42.8]	0 [0]	--	--	--	--	1.232 [31.3]	--
	Y	1.098 [27.9]	0.673 [17.1]	0.248 [6.3]	0.673 [17.1]	--	--	0 [0]	0 [0]	1.347 [34.2]	1.347 [34.2]	--	--	--	--	1.173 [29.8]	--
	φ (max)	0.327 [8.3]	0.327 [8.3]	0.327 [8.3]	0.327 [8.3]	--	--	.25-20 M6	.25-20 M6	.25-20 M6	.25-20 M6	--	--	--	--	0.138 [3.5]	--
S86	X	1.000 [25.4]	1.500 [38.1]	1.000 [25.4]	0.500 [12.7]	--	--	0 [0]	2.000 [50.8]	2.000 [50.8]	0 [0]	--	--	--	--	1.750 [44.5]	--
	Y	1.375 [34.9]	0.875 [22.2]	0.375 [9.5]	0.875 [22.2]	--	--	0 [0]	0 [0]	1.750 [44.5]	1.750 [44.5]	--	--	--	--	1.375 [34.9]	--
	φ (max)	0.390 [9.9]	0.390 [9.9]	0.390 [9.9]	0.390 [9.9]	--	--	.25-20 M6	.25-20 M6	.25-20 M6	.25-20 M6	--	--	--	--	0.138 [3.5]	--
S87	X	1.125 [28.6]	0.625 [15.9]	1.125 [28.6]	1.625 [41.3]	--	--	0 [0]	2.250 [57.2]	2.250 [57.2]	0 [0]	--	--	--	--	1.515 [38.5]	--
	Y	1.563 [39.7]	1.063 [27.0]	0.563 [14.3]	1.063 [27.0]	--	--	0 [0]	0 [0]	2.125 [54.0]	2.125 [54.0]	--	--	--	--	1.563 [39.7]	--
	φ (max)	0.410 [10.4]	0.410 [10.4]	0.410 [10.4]	0.410 [10.4]	--	--	.31-18 M8	.31-18 M8	.31-18 M8	.31-18 M8	--	--	--	--	0.138 [3.5]	--
S88	X	1.625 [41.3]	0.725 [18.4]	2.18 [55.4]	2.525 [64.1]	--	--	0 [0]	3.250 [82.6]	3.250 [82.6]	0 [0]	--	--	--	--	2.438 [61.9]	--
	Y	2.556 [64.9]	1.656 [42.1]	0.756 [19.2]	1.656 [42.1]	--	--	0 [0]	0 [0]	3.313 [84.1]	3.313 [84.1]	--	--	--	--	2.469 [62.7]	--
	φ (max)	0.750 [19.1]	0.750 [19.1]	0.750 [19.1]	0.750 [19.1]	--	--	.38-16 M10	.38-16 M10	.38-16 M10	.38-16 M10	--	--	--	--	0.138 [3.5]	--
S89	X	0.781 [19.8]	0.781 [19.8]	0.781 [19.8]	--	--	--	0 [0]	1.563 [39.7]	1.563 [39.7]	0 [0]	--	--	--	--	--	--
	Y	0.281 [7.1]	0.821 [20.9]	1.281 [32.5]	--	--	--	0 [0]	0 [0]	1.563 [39.7]	1.563 [39.7]	--	--	--	--	--	--
	φ (max)	0.156 [4.0]	0.156 [4.0]	0.156 [4.0]	--	--	--	#10-24 M5	#10-24 M5	#10-24 M5	#10-24 M5	--	--	--	--	--	--
S90	X	0.474 [12.1]	-0.026 [-0.65]	0.474 [12.1]	0.974 [24.8]	--	--	0 [0]	0.949 [24.1]	0.949 [24.1]	0 [0]	--	--	--	--	--	--
	Y	1.549 [39.4]	1.049 [26.7]	0.549 [14.0]	1.049 [26.7]	--	--	0 [0]	0 [0]	2.098 [53.3]	2.098 [53.3]	--	--	--	--	--	--
	φ (max)	0.126 [3.2]	0.126 [3.2]	0.126 [3.2]	0.126 [3.2]	--	--	#10-24 M5	#10-24 M5	#10-24 M5	#10-24 M5	--	--	--	--	--	--
S91	X	0.875 [22.2]	0.625 [15.9]	0.875 [22.2]	1.125 [28.6]	--	--	0 [0]	1.750 [44.5]	1.750 [44.5]	0 [0]	--	--	--	--	--	--
	Y	0.850 [21.6]	0.500 [12.7]	0.150 [3.8]	0.500 [12.7]	--	--	0 [0]	0 [0]	1.000 [25.4]	1.000 [25.4]	--	--	--	--	--	--
	φ (max)	0.188 [4.8]	0.188 [4.8]	0.188 [4.8]	0.188 [4.8]	--	--	#4-40	#4-40	#4-40	#4-40	--	--	--	--	--	--
S92	X	0.875 [22.2]	0.625 [12.7]	0.875 [22.2]	1.125 [28.6]	--	--	0 [0]	1.750 [44.5]	1.750 [44.5]	0 [0]	--	--	--	--	--	--
	Y	0.950 [24.1]	0.600 [15.2]	0.250 [6.4]	0.600 [15.2]	--	--	0 [0]	0 [0]	1.200 [30.5]	1.200 [30.5]	--	--	--	--	--	--
	φ (max)	0.188 [4.8]	0.188 [4.8]	0.188 [4.8]	0.188 [4.8]	--	--	#8-32 M4	#8-32 M4	#8-32 M4	#8-32 M4	--	--	--	--	--	--
S93	X	0 [0]	-0.425 [-10.8]	0 [0]	0.425 [10.8]	--	--	0 [0]	0 [0]	--	--	--	--	--	--	--	--
	Y	1.675 [42.5]	1.250 [31.8]	0.825 [21.0]	1.250 [31.8]	--	--	0 [0]	2.500 [63.5]	--	--	--	--	--	--	--	--
	φ (max)	0.281 [7.1]	0.281 [7.1]	0.281 [7.1]	0.281 [7.1]	--	--	.25-20 M6	.25-20 M6	--	--	--	--	--	--	--	--

Standard Manifolds

Cover Plates

Valve Adaptors

Subplates

Servo Valve Subplates

Tapping Plates

Cartridge Valve Bodies

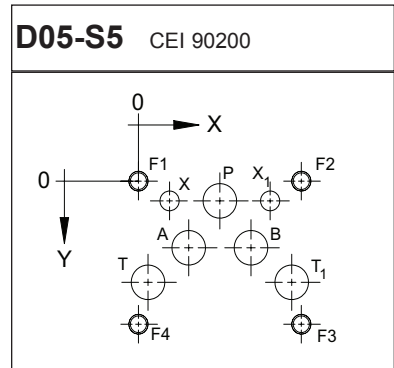
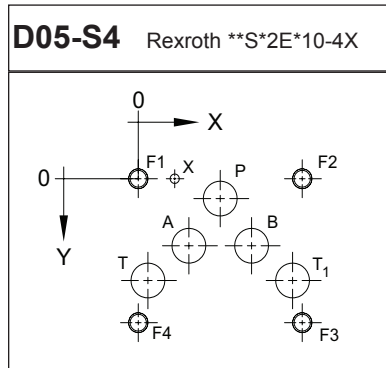
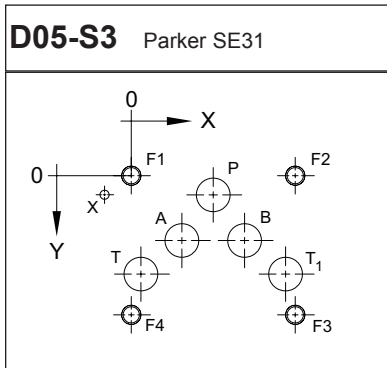
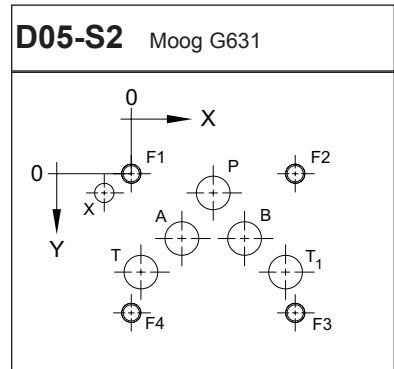
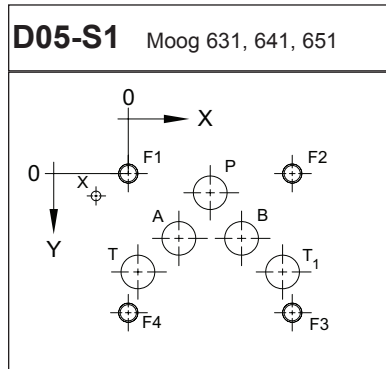
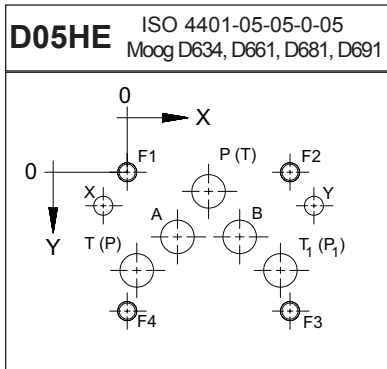
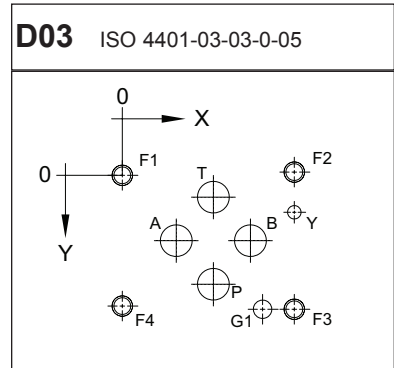
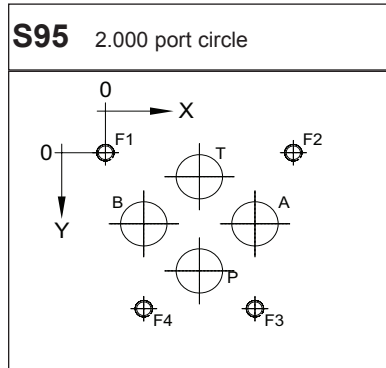
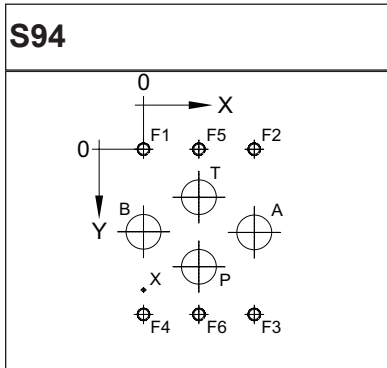
Header and Junction Blocks

Sandwich Modules

Technical Information

Servo Valve Patterns

These drawings are for reference only. Please consult the appropriate standard when dimensions are critical. Dimensions may vary on our products. It should not be assumed that each hole shown is found on a given product.



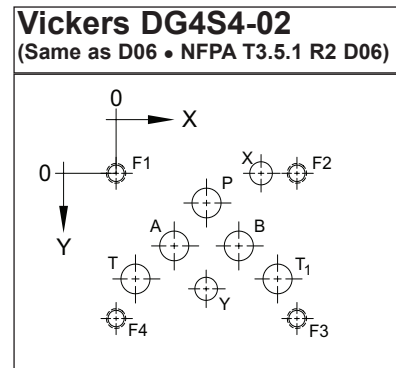
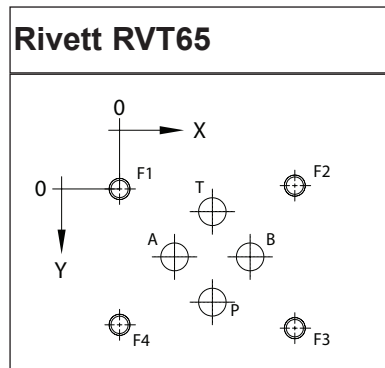
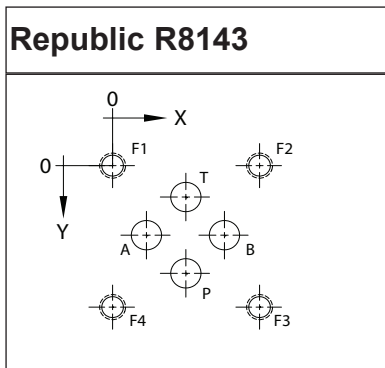
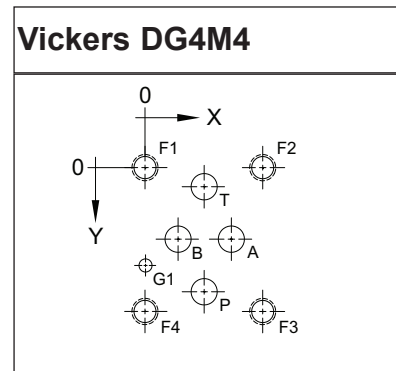
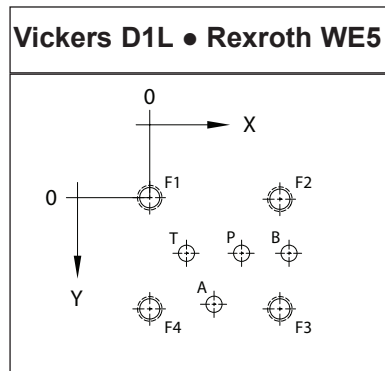
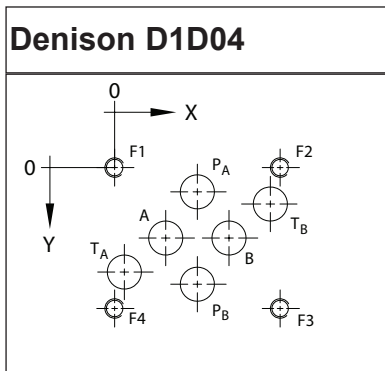
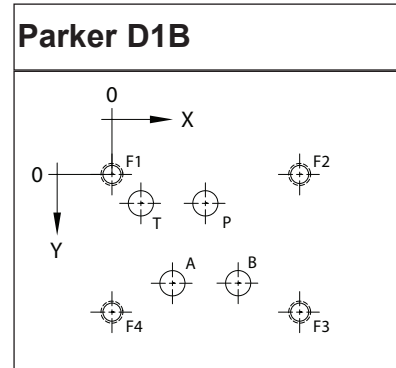
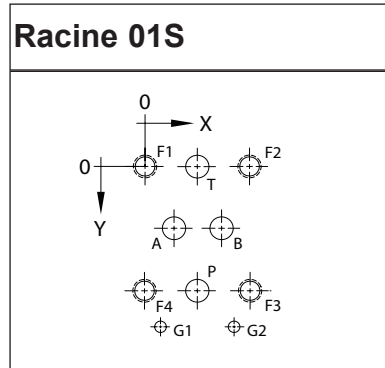
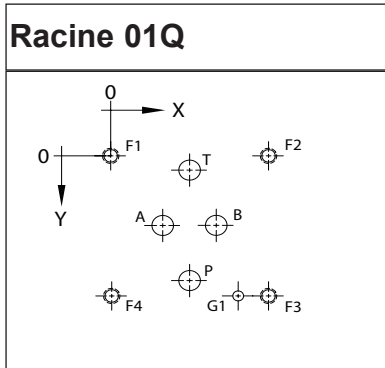
D06, D07, D08, D10: Same as ISO / NFPA directional valve patterns. See pages 228-229 for dimensions.

Pattern	Axis	P	A	T	T ₁	B	X	X ₁	Y	F1	F2	F3	F4	F5	F6	G1	G2
S94	X	1.375 [34.9]	2.750 [69.9]	1.375 [34.9]	--	0 [0]	0 [0]	--	--	0 [0]	2.750 [69.9]	2.750 [69.9]	0 [0]	1.375 [34.9]	1.375 [34.9]	--	--
	Y	2.938 [74.6]	2.063 [52.4]	1.188 [30.2]	--	2.063 [52.4]	3.513 [89.2]	--	--	0 [0]	0 [0]	4.125 [104.8]	4.125 [104.8]	0 [0]	4.125 [104.8]	--	--
	φ (max)	0.865 [22.0]	0.865 [22.0]	0.865 [22.0]	--	0.865 [22.0]	0.094 [2.4]	--	--	.31-18 M8	.31-18 M8	.31-18 M8	.31-18 M8	.31-18 M8	.31-18 M8	--	--
S95	X	1.900 [48.3]	0.900 [22.9]	1.900 [48.3]	--	2.900 [73.7]	--	--	--	0 [0]	3.800 [96.5]	3.025 [76.8]	0.775 [19.7]	--	--	--	--
	Y	2.510 [63.8]	1.510 [38.4]	0.510 [13.0]	--	1.510 [38.4]	--	--	--	0 [0]	0 [0]	3.313 [84.1]	3.313 [84.1]	--	--	--	--
	φ (max)	0.938 [23.8]	0.938 [23.8]	0.938 [23.8]	--	0.938 [23.8]	--	--	--	.38-16 M10	.38-16 M10	.38-16 M10	.38-16 M10	--	--	--	--
D03	X	0.847 [21.5]	0.500 [12.7]	0.847 [21.5]	--	1.189 [30.2]	--	--	1.595 [40.5]	0 [0]	1.595 [40.5]	1.595 [40.5]	0 [0]	--	--	1.299 [33.0]	--
	Y	1.020 [25.9]	0.610 [15.5]	0.201 [5.1]	--	0.610 [15.5]	--	--	0.354 [9.0]	0 [0]	-0.030 [-0.75]	1.250 [31.75]	1.221 [31.0]	--	--	1.250 [31.75]	--
	φ (max)	0.295 [7.5]	0.295 [7.5]	0.295 [7.5]	--	0.295 [7.5]	--	--	0.130 [3.3]	#10-24 M5	#10-24 M5	#10-24 M5	#10-24 M5	--	--	0.158 [4.0]	--
D05HE	X	1.063 [27.0]	0.658 [16.7]	0.126 [3.2]	2.000 [50.8]	1.469 [37.3]	-0.315 [-8.0]	--	2.441 [62.0]	0 [0]	2.126 [54.0]	2.126 [54.0]	0 [0]	--	--	--	--
	Y	0.248 [6.3]	0.843 [21.4]	1.280 [32.5]	1.280 [32.5]	0.843 [21.4]	0.433 [11.0]	--	0.433 [11.0]	0 [0]	0 [0]	1.811 [46.0]	1.811 [46.0]	--	--	--	--
	φ (max)	0.441 [11.2]	0.441 [11.2]	0.441 [11.2]	0.441 [11.2]	0.441 [11.2]	0.248 [6.3]	--	0.248 [6.3]	.25-20 M6	.25-20 M6	.25-20 M6	.25-20 M6	--	--	--	--
D05-S1	X	1.063 [27.0]	0.658 [16.7]	0.126 [3.2]	2.000 [50.8]	1.469 [37.3]	-0.417 [-10.6]	--	--	0 [0]	2.126 [54.0]	2.126 [54.0]	0 [0]	--	--	--	--
	Y	0.248 [6.3]	0.843 [21.4]	1.280 [32.5]	1.280 [32.5]	0.843 [21.4]	0.291 [7.4]	--	--	0 [0]	0 [0]	1.811 [46.0]	1.811 [46.0]	--	--	--	--
	φ (max)	0.441 [11.2]	0.441 [11.2]	0.441 [11.2]	0.441 [11.2]	0.441 [11.2]	0.125 [3.2]	--	--	.25-20 M6	.25-20 M6	.25-20 M6	.25-20 M6	--	--	--	--
D05-S2	X	1.063 [27.0]	0.658 [16.7]	0.126 [3.2]	2.000 [50.8]	1.469 [37.3]	-0.354 [-9.0]	--	--	0 [0]	2.126 [54.0]	2.126 [54.0]	0 [0]	--	--	--	--
	Y	0.248 [6.3]	0.843 [21.4]	1.280 [32.5]	1.280 [32.5]	0.843 [21.4]	0.252 [6.4]	--	--	0 [0]	0 [0]	1.811 [46.0]	1.811 [46.0]	--	--	--	--
	φ (max)	0.441 [11.2]	0.441 [11.2]	0.441 [11.2]	0.441 [11.2]	0.441 [11.2]	0.248 [6.3]	--	--	.25-20 M6	.25-20 M6	.25-20 M6	.25-20 M6	--	--	--	--
D05-S3	X	1.063 [27.0]	0.658 [16.7]	0.126 [3.2]	2.000 [50.8]	1.469 [37.3]	-0.346 [-8.8]	--	--	0 [0]	2.126 [54.0]	2.126 [54.0]	0 [0]	--	--	--	--
	Y	0.248 [6.3]	0.843 [21.4]	1.280 [32.5]	1.280 [32.5]	0.843 [21.4]	0.248 [6.3]	--	--	0 [0]	0 [0]	1.811 [46.0]	1.811 [46.0]	--	--	--	--
	φ (max)	0.441 [11.2]	0.441 [11.2]	0.441 [11.2]	0.441 [11.2]	0.441 [11.2]	0.118 [3.0]	--	--	.25-20 M6	.25-20 M6	.25-20 M6	.25-20 M6	--	--	--	--
D05-S4	X	1.063 [27.0]	0.658 [16.7]	0.126 [3.2]	2.000 [50.8]	1.469 [37.3]	0.472 [12.0]	--	--	0 [0]	2.126 [54.0]	2.126 [54.0]	0 [0]	--	--	--	--
	Y	0.248 [6.3]	0.843 [21.4]	1.280 [32.5]	1.280 [32.5]	0.843 [21.4]	0 [0]	--	--	0 [0]	0 [0]	1.811 [46.0]	1.811 [46.0]	--	--	--	--
	φ (max)	0.441 [11.2]	0.441 [11.2]	0.441 [11.2]	0.441 [11.2]	0.441 [11.2]	0.118 [3.0]	--	--	.25-20 M6	.25-20 M6	.25-20 M6	.25-20 M6	--	--	--	--
D05-S5	X	1.063 [27.0]	0.658 [16.7]	0.126 [3.2]	2.000 [50.8]	1.469 [37.3]	0.406 [10.3]	1.719 [43.7]	--	0 [0]	2.126 [54.0]	2.126 [54.0]	0 [0]	--	--	--	--
	Y	0.248 [6.3]	0.843 [21.4]	1.280 [32.5]	1.280 [32.5]	0.843 [21.4]	0.248 [6.3]	0.248 [6.3]	--	0 [0]	0 [0]	1.811 [46.0]	1.811 [46.0]	--	--	--	--
	φ (max)	0.441 [11.2]	0.441 [11.2]	0.441 [11.2]	0.441 [11.2]	0.441 [11.2]	0.248 [6.3]	0.248 [6.3]	--	.25-28 M6	.25-28 M6	.25-28 M6	.25-28 M6	--	--	--	--

Standard Manifolds
Cover Plates
Valve Adaptors
Subplates
Servo Valve Subplates
Tapping Plates
Cartridge Valve Bodies
Header and Junction Blocks
Sandwich Modules

“Obsolete Valve” Patterns

These drawings are for reference only. Please consult the appropriate standard when dimensions are critical. Dimensions may vary on our products. It should not be assumed that each hole shown is found on a given product.



Pattern	Axis	P	A	T	T ₁	B	X (P _B)	Y	F1	F2	F3	F4	G1	G2
01Q	X	0.91 [23.0]	0.59 [15.1]	0.91 [23.0]	--	1.22 [31.0]	--	--	0 [0]	1.81 [46.0]	1.81 [46.0]	0 [0]	1.47 [37.3]	--
	Y	1.56 [39.7]	0.88 [22.2]	0.19 [4.9]	--	0.88 [22.3]	--	--	0 [0]	0 [0]	1.75 [44.5]	1.75 [44.5]	1.75 [44.5]	--
	φ (max)	0.25 [6.3]	0.19 [4.8]	0.25 [6.3]	--	0.19 [4.8]	--	--	#10-24 #10-24	#10-24 #10-24	#10-24 #10-24	#10-24 #10-24	0.16 [4.0]	--
01S	X	0.61 [15.5]	0.30 [7.6]	0.61 [15.5]	--	0.92 [23.4]	--	--	0 [0]	1.22 [30.9]	1.22 [30.9]	0 [0]	0.24 [6.1]	0.98 [25.0]
	Y	1.37 [35.0]	0.69 [17.5]	0 [0]	--	0.69 [17.5]	--	--	0 [0]	0 [0]	1.37 [35.0]	1.37 [35.0]	1.75 [44.5]	1.75 [44.5]
	φ (max)	0.25 [6.3]	0.19 [4.8]	0.25 [6.3]	--	0.19 [4.8]	--	--	.25-20 .25-20	.25-20 .25-20	.25-20 .25-20	.25-20 .25-20	0.16 [4.0]	0.16 [4.0]
D1B	X	0.81 [20.6]	0.53 [13.5]	0.25 [6.4]	--	1.09 [27.7]	--	--	0 [0]	1.63 [41.3]	1.63 [41.3]	0 [0]	--	--
	Y	0.25 [6.4]	0.94 [23.8]	0.25 [6.4]	--	0.94 [23.8]	--	--	0 [0]	0 [0]	1.19 [30.2]	1.19 [30.2]	--	--
	φ (max)	0.22 [5.6]	0.22 [5.6]	0.22 [5.6]	--	0.22 [5.6]	--	--	#10-32 #10-32	#10-32 #10-32	#10-32 #10-32	#10-32 #10-32	--	--
D1D04	X	1.06 [27.0]	0.72 [16.3]	0.16 [4.0]	1.97 [50.0]	1.44 [36.5]	1.06 [27.0]	--	0 [0]	2.125 [54.0]	2.125 [54.0]	0 [0]	--	--
	Y	0.34 [8.7]	0.91 [23.0]	1.22 [31.0]	0.59 [15.1]	0.91 [23.0]	1.47 [37.3]	--	0 [0]	0 [0]	1.812 [46.0]	1.812 [46.0]	--	--
	φ (max)	0.38 [9.6]	0.38 [9.6]	0.38 [9.6]	0.38 [9.6]	0.38 [9.6]	0.38 [9.6]	--	.25-20 .25-20	.25-20 .25-20	.25-20 .25-20	.25-20 .25-20	--	--
D1L, WE5	X	0.72 [18.1]	0.51 [12.8]	0.30 [7.4]	--	1.09 [27.6]	--	--	0 [0]	1.02 [25.6]	1.02 [25.6]	0 [0]	--	--
	Y	0.42 [10.9]	0.81 [20.7]	0.42 [10.9]	--	0.42 [10.9]	--	--	0 [0]	0 [0]	0.84 [21.4]	0.84 [21.4]	--	--
	φ (max)	0.13 [3.2]	0.13 [3.2]	0.13 [3.2]	--	0.13 [3.2]	--	--	#10-24 #10-24	#10-24 #10-24	#10-24 #10-24	#10-24 #10-24	--	--
DG4M4	X	0.57 [14.4]	0.82 [20.6]	0.57 [14.4]	--	0.32 [8.1]	--	--	0 [0]	1.13 [28.7]	1.13 [28.7]	0 [0]	0 [0]	--
	Y	1.19 [30.1]	0.69 [17.5]	0.19 [4.8]	--	0.69 [17.5]	--	--	0 [0]	0 [0]	1.37 [34.7]	1.37 [34.7]	0.94 [23.8]	--
	φ (max)	0.25 [6.3]	0.25 [6.3]	0.25 [6.3]	--	0.25 [6.3]	--	--	.25-20 .25-20	.25-20 .25-20	.25-20 .25-20	.25-20 .25-20	0.16 [4.0]	--
R8143	X	1.06 [27.0]	0.50 [12.7]	1.06 [27.0]	--	0.50 [12.7]	--	--	0 [0]	2.13 [54.0]	2.13 [54.0]	0 [0]	--	--
	Y	1.60 [40.6]	1.05 [26.7]	0.48 [12.2]	--	1.05 [26.7]	--	--	0 [0]	0 [0]	2.11 [53.7]	2.11 [53.7]	--	--
	φ (max)	0.44 [11.1]	0.44 [11.1]	0.44 [11.1]	--	0.44 [11.1]	--	--	.38-16 .38-16	.38-16 .38-16	.38-16 .38-16	.38-16 .38-16	--	--
RVT65	X	0.85 [21.5]	0.50 [12.7]	0.85 [21.5]	--	1.19 [30.2]	--	--	0 [0]	1.60 [40.6]	1.60 [40.6]	0 [0]	--	--
	Y	1.09 [27.6]	0.61 [15.7]	0.15 [3.8]	--	0.61 [15.7]	--	--	0 [0]	-0.03 [-0.8]	1.26 [32.0]	1.23 [31.3]	--	--
	φ (max)	0.31 [7.9]	0.31 [7.9]	0.31 [7.9]	--	0.31 [7.9]	--	--	#10-24 #10-24	#10-24 #10-24	#10-24 #10-24	#10-24 #10-24	--	--
DG4S4 -02 (D06)	X	1.750 [44.5]	1.120 [28.5]	0.380 [9.7]	3.120 [79.3]	2.380 [60.5]	2.810 [71.4]	1.75 [44.5]	0 [0]	3.500 [88.9]	3.500 [88.9]	0 [0]	--	--
	Y	0.560 [14.3]	1.380 [35.1]	2.000 [50.8]	2.000 [50.8]	1.380 [35.1]	0 [0]	2.180 [55.4]	0 [0]	0 [0]	2.75 [69.9]	2.75 [69.9]	--	--
	φ (max)	0.580 [14.7]	0.580 [14.7]	0.580 [14.7]	0.580 [14.7]	0.580 [14.7]	0.440 [11.2]	0.440 [11.2]	.38-16 .38-16	.38-16 .38-16	.38-16 .38-16	.38-16 .38-16	--	--

Standard Manifolds

Cover Plates

Valve Adaptors

Subplates

Servo Valve Subplates

Tapping Plates

Cartridge Valve Bodies

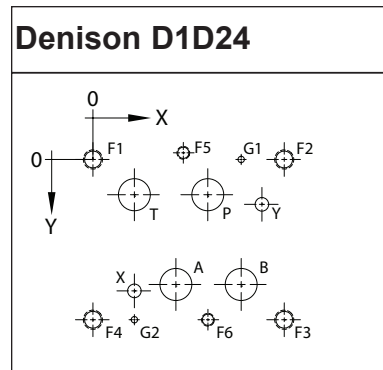
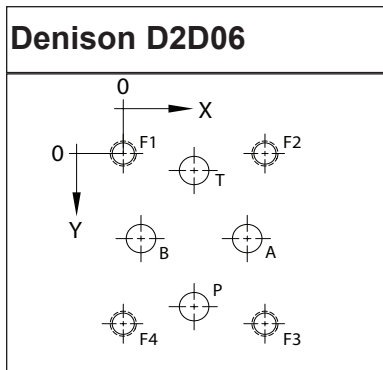
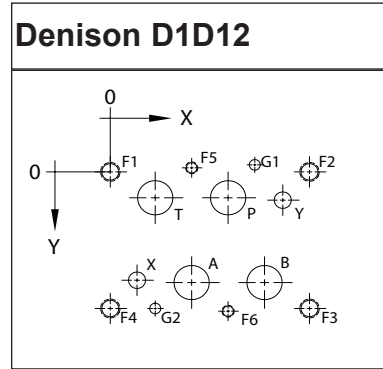
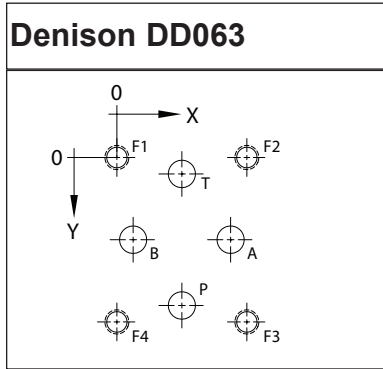
Header and Junction Blocks

Sandwich Modules

Technical Information

“Obsolete Valve” Patterns

These drawings are for reference only. Please consult the appropriate standard when dimensions are critical. Dimensions may vary on our products. It should not be assumed that each hole shown is found on a given product.



Pattern	Axis	P	A	T	B	X	Y	F1	F2	F3	F4	F5	F6	G1	G2
DD063	X	1.50 [38.1]	2.63 [66.7]	1.50 [38.1]	0.38 [9.5]	--	--	0 [0]	3.00 [76.2]	3.00 [76.2]	0 [0]	--	--	--	--
	Y	3.38 [85.7]	1.88 [47.6]	0.38 [9.5]	1.88 [47.6]	--	--	0 [0]	0 [0]	3.75 [95.3]	3.75 [95.3]	--	--	--	--
	φ (max)	0.63 [15.9]	0.63 [15.9]	0.63 [15.9]	0.63 [15.9]	--	--	.50-13 .50-13	.50-13 .50-13	.50-13 .50-13	.50-13 .50-13	--	--	--	--
D1D12	X	3.03 [77.0]	2.09 [53.2]	1.16 [29.4]	3.97 [100.8]	0.69 [17.5]	4.44 [112.7]	0 [0]	5.12 [130.2]	5.12 [130.2]	0 [0]	2.31 [58.7]	3.00 [76.2]	3.72 [94.5]	1.16 [29.4]
	Y	0.69 [17.5]	2.93 [74.6]	0.69 [17.5]	2.93 [74.6]	2.88 [73.0]	0.75 [19.0]	0 [0]	0 [0]	3.62 [92.1]	3.62 [92.1]	-0.09 [-2.4]	3.72 [94.5]	-0.19 [-4.8]	3.62 [92.1]
	φ (max)	0.91 [23.0]	0.91 [23.0]	0.91 [23.0]	0.91 [23.0]	0.44 [11.2]	0.44 [11.2]	.50-13 .50-13	.50-13 .50-13	.50-13 .50-13	.50-13 .50-13	.31-18 .31-18	.31-18 .31-18	0.28 [7.5]	0.28 [7.5]
D2D06	X	1.50 [38.1]	2.63 [66.7]	1.50 [38.1]	0.38 [9.5]	--	--	0 [0]	3.00 [76.2]	3.00 [76.2]	0 [0]	--	--	--	--
	Y	3.38 [85.7]	1.88 [47.6]	0.38 [9.5]	1.88 [47.6]	--	--	0 [0]	0 [0]	3.75 [95.3]	3.75 [95.3]	--	--	--	--
	φ (max)	0.63 [15.9]	0.63 [15.9]	0.63 [15.9]	0.63 [15.9]	--	--	.50-13 .50-13	.50-13 .50-13	.50-13 .50-13	.50-13 .50-13	--	--	--	--
D1D24	X	4.50 [114.3]	3.25 [82.5]	1.63 [41.3]	5.81 [147.6]	1.63 [41.3]	6.63 [168.3]	0 [0]	7.50 [190.5]	7.50 [190.5]	0 [0]	3.50 [76.2]	4.50 [114.3]	5.81 [138.6]	1.62 [41.3]
	Y	1.38 [35.0]	4.87 [123.8]	1.38 [35]	4.87 [123.8]	5.13 [130.2]	1.75 [44.5]	0 [0]	0 [0]	6.25 [158.8]	6.25 [158.8]	-0.31 [-7.9]	6.25 [158.8]	0 [0]	6.25 [158.8]
	φ (max)	1.25 [32.0]	1.25 [32.0]	1.25 [32.0]	1.25 [32.0]	0.44 [11.2]	0.44 [11.2]	.75-10 .75-10	.75-10 .75-10	.75-10 .75-10	.75-10 .75-10	.50-13 .50-13	.50-13 .50-13	0.28 [7.5]	0.28 [7.5]

Materials

Daman offers a wide range of material choices to meet most pressure rating, application, environment, and cost requirements. While the vast majority of products that we build have criteria that are best served by 6061-T6511 aluminum or 65-45-12 ductile iron, we also frequently review requests for custom products in other grades of aluminum and ductile iron, as well as stainless steel, carbon steel, and other advanced materials.

Aluminum

6061-T651 - Used in our entire aluminum standard product line and ninety-nine percent of our custom aluminum products. Items built from extruded bar are -T6511 temper and items built from plate are -T651 temper.

2024-T351 - Used for a small number of custom parts when specified. Usually it is chosen over 6061 when improved material strength is needed. The majority of what we purchase is plate.

7075-T351 - Used for a small number of custom parts when specified. Usually it is chosen over 6061 when improved material strength is needed. The majority of what we purchase is plate.

Ductile

65-45-12 - Used in our entire ductile standard product line and nearly all of our custom ductile products.

80-55-06 - Used for a very small number of custom parts. Usually it is chosen over 65-45-12 when improved material strength is needed.

Ductile Iron versus Carbon Steel

65-45-12 ductile iron has several qualities that make it the preferred material choice for applications of 5000 PSI maximum operating pressure. The main advantage over carbon steel is a grain structure that allows for ease of manufacturing, uniform corrosion resistance, consistent material quality, and improved dampening characteristics.

Stainless Steel

Stainless steel manifolds are often found in washdown, semiconductor, oil and gas, marine, and other offshore applications. Stainless steel is corrosion resistant, and is very durable. Most Daman standard products can be produced in stainless steel and we are continuously expanding our stainless machining capabilities. All Daman stainless steel standard parts are passivated. Contact us with any stainless steel standard or custom opportunity.

Other Materials

Daman custom product designs include industry common steels such as 1018 and 11L17. Daman has experience manufacturing custom products from many other materials including brass. Contact us to discuss your material requirements.

Tips For Material Selection

Material selection requires the consideration of several hydraulic system characteristics such as pressure, application duty cycle, and environmental atmosphere. Working pressure should be considered in accordance with ISO 4413 to determine appropriate material type. The characteristics below are common considerations for aluminum or ductile alloy.

Hydraulic System Characteristics

- The most obvious hydraulic criteria for material selection is system operating pressure. We rate nearly all of our 6061-T6 aluminum standard products, and all Daman-designed custom parts for 3000 PSI maximum operating pressure, with a 3:1 safety factor.
- We rate nearly all of our 65-45-12 ductile standard products, and all Daman-designed ductile custom parts for 5000 PSI maximum operating pressure, with a 3:1 safety factor.
- This rating is set based on the assumption that the system is properly designed, assembled, and maintained for its application and environment, and that it is used in an average duty cycle application.
- Customer designs must be reviewed for wall thickness integrity prior to assigning a Daman pressure rating. Following are some examples of hydraulic system characteristics that may necessitate overriding pressure rating as the determining factor in material selection.

Design

- High velocities
- Proper valve use
- Water and fluid

Application

- High duty cycle
- Shock and spike
- Layout

Environment

- Caustic solutions

Surface Treatments

Surface finish treatments for a manifold or related product are for improved cosmetic appearance, corrosion resistance, improved paint adhesion, or increased surface hardness. The type of material and the purpose for the coating can determine which coating to use. Below are general overviews of anodizing and electroless nickel. The following page specifies our processes as well as ordering information.

Surface Treatments Overview

Anodize

Application: Aluminum parts

- Sulfuric acid anodizing is applied utilizing a 10% to 20% sulfuric acid bath at 60°F to 80°F. Electrical current (2 to 9 amps per sq. ft.) is passed through the solution to the positively charged aluminum part (Anode). A reaction takes place on the surface of the aluminum part that changes the aluminum to aluminum oxide. Aluminum oxide in this form is a crystalline structure that is practically nonconductive. The reaction will continue, and the film will grow, until its dielectric properties do not allow electrical current to continue to pass through the film. This process produces a nearly clear oxide coating which is usually less than 0.001” thick. The coating is then sealed to improve corrosion protection or colorfastness when dyed.
- Specifically this coating is referred to as sulfuric anodize, clear anodize, or Type II anodize.
- A dye may be used to add color to the process. Common available colors are black, red, or blue.
- Anodizing provides good corrosion protection in mild environments and minimum wear protection.

Electroless Nickel

Application: Ductile iron parts

- The deposition of the nickel is autocatalytic. This means that the nickel is deposited on the substrate material without the use of external electrical current. Electroless nickel is applied by submerging the part in a well-agitated bath which operates between 180 and 190 degrees F.
- An extensive cleaning process to remove all dirt, oils and oxides prior to plating is often more involved than the plating process itself. This ensures good adhesion of the nickel to the ductile substrate.
- Phosphorus is present in all electroless nickel. The higher the level, the better the corrosion resistance.
- ROHS compliant.
- Free of cadmium, lead, chrome.
- Professional appearance.
- Excellent results in industrial applications, mining, and railroad applications.
- Not suitable for applications where a specific salt spray hours rating is required.



Coatings Available For Daman Standard Product Lines

Anodizing options available for all catalogued aluminum parts:

"-BA" added to the end of the part number for black anodize.

"-CA" added to the end of the part number for clear anodize.

Electroless nickel option available for all catalogued ductile parts:

"-EN" added to the end of the part number for electroless nickel.

"-BA" Coating: 6061-T6 Aluminum with Black Anodize

Process used conforms to MIL-A-8625F Type II, Class 2

- Dyed black.
- Nickel acetate sealed.
- Anodic thickness varies from approximately 0.0002 - 0.0008 based on machined features.
- Sample salt spray testing had acceptable performance at 96 hrs.
- One or more mounting holes may be unanodized due to racking requirements.

"-CA" Coating: 6061-T6 Aluminum with Clear Anodize

Process used conforms to MIL-A-8625F Type II, Class 1

- No added color; appearance is of matte aluminum.
- Nickel acetate sealed.
- Anodic thickness varies from approximately 0.0002 - 0.0008 based on machined features.
- Sample salt spray testing had acceptable performance at 96 hrs.
- One or more mounting holes may be unanodized due to racking requirements.

"-EN" Coating: D-65-45-12 Ductile Iron with Electroless Nickel Coating

Process used conforms to MIL C26074, AMS 2404, ASTM B 733

- NOTE: Thickness supplied is less than A, B or C definition, therefore no defined salt spray hour rating (Coating thickness is 0.0002 - 0.0004 inch).
- Chemically applied completely uniform deposit thickness.
- High Phosphorus - 10-13 weight %.
- Uniform thickness; excellent hardness; resistant to scratches, strikes and chemicals.
- Meets or exceeds adhesion testing in ASTM B571.

Performance of surface treatments varies by application and environment. No specific corrosion resistance is warranted.

THE DAMAN TRIGGER SYSTEM CUSTOM MANIFOLDS IN **24 HRS.**

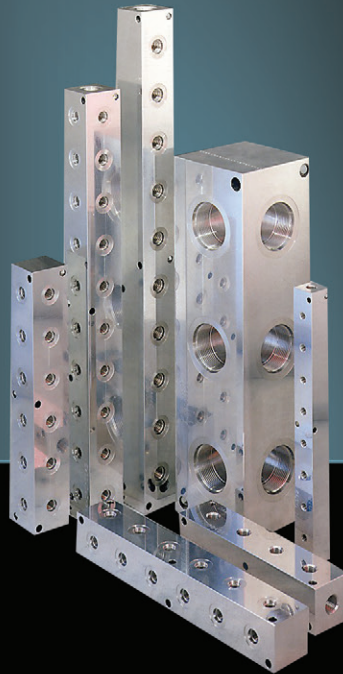
Trust Daman to manage your low and high volume repetitive, Custom Manifold parts.

Custom Manifolds ship in 24 hours with Daman's Trigger System. Utilizing lean kanban technology, Daman's Trigger System offers a simple way for you to order Custom Manifolds without forecasting, lead times, inventory micro-management and rigid ordering or blanket systems.

**Learn more at www.daman.com
or call 800.959.7841**


Daman[®]





IN-STOCK STANDARD MANIFOLDS GUARANTEED TO SHIP WITHIN 24 HOURS

Our extensive in-stock inventory of Standard Manifolds is constantly being replenished to meet industry buying trends. We can ship stocked products within 24 hours, while eliminating the need for complex forecasting and stringent minimum inventory commitments. Daman is the dependable partner you need to ensure that Standard Manifold products are always available when you need them.



1811 North Home Street
Mishawaka, Indiana 46545-7267 USA
North America: 800.959.7841 · Fax: 800.241.7664
International: Tel: +1.574.259.7841 · Fax: +1.574.259.7665
Email: sales@daman.com
Web: www.daman.com

Please note: All information in this catalog is the latest available at the time of publication approval. Daman reserves the right to make changes and to discontinue products without notice or obligation.